

US00D837044S

(12) **United States Design Patent**
Rehhahn

(10) **Patent No.:** **US D837,044 S**

(45) **Date of Patent:** **** Jan. 1, 2019**

- (54) **SHEET PILE**
- (71) Applicant: **Jens Rehhahn**, Zeischa (DE)
- (72) Inventor: **Jens Rehhahn**, Zeischa (DE)
- (**) Term: **15 Years**
- (21) Appl. No.: **29/629,176**
- (22) Filed: **Dec. 12, 2017**
- (51) **LOC (11) Cl.** **08-08**
- (52) **U.S. Cl.**
USPC **D8/382**
- (58) **Field of Classification Search**
USPC D8/367, 382, 394, 395; D25/119
CPC E02D 5/02; E02D 5/04; E02D 5/06; E02D
5/08; E02D 5/12; Y10T 403/73
See application file for complete search history.

1,841,779 A * 1/1932 Becker E02D 5/04
405/279
D621,245 S * 8/2010 Heindl D8/382
D621,246 S * 8/2010 Heindl D8/382
D808,782 S * 1/2018 Heindl D8/382
D808,783 S * 1/2018 Heindl D8/382

* cited by examiner

Primary Examiner — Sandra S Snapp
Assistant Examiner — Ieisha N Price
 (74) *Attorney, Agent, or Firm* — 24IP Law Group;
 Timothy DeWitt

(56) **References Cited**

U.S. PATENT DOCUMENTS

- 1,770,652 A * 7/1930 Meiser E02D 5/04
405/277
- 1,771,224 A * 7/1930 Kohler E02D 5/04
405/277
- 1,835,367 A * 12/1931 Becker E02D 5/04
405/277
- 1,835,417 A * 12/1931 Mauterer E02D 5/04
405/277

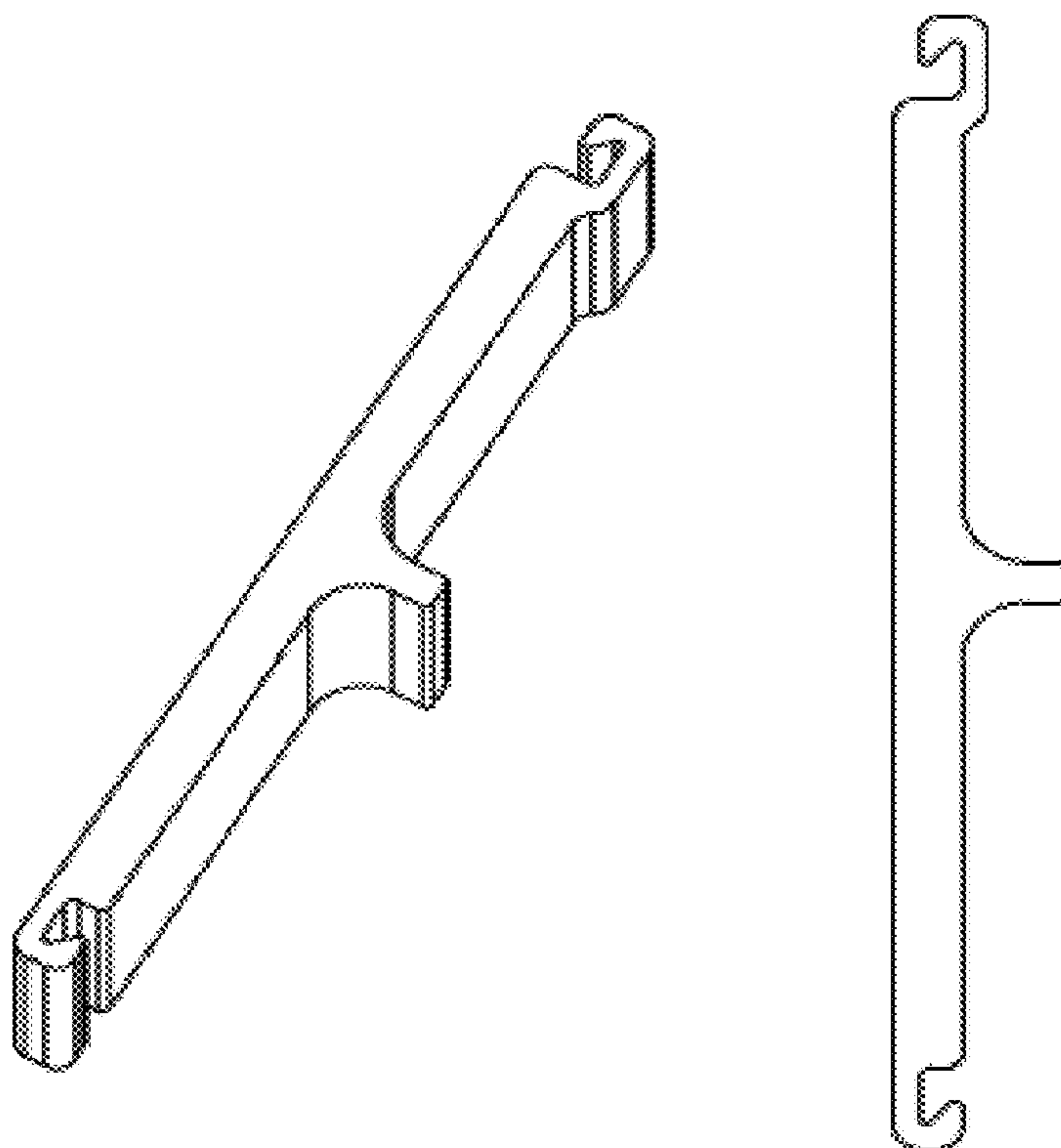
(57) **CLAIM**

The ornamental design for a sheet pile, as shown and described.

DESCRIPTION

FIG. 1 is a perspective view of the sheet pile;
 FIG. 2 is a right side view of the sheet pile;
 FIG. 3 is a left side view of the sheet pile;
 FIG. 4 is a rear view of the sheet pile;
 FIG. 5 is a front view of the sheet pile;
 FIG. 6 is a bottom view of the sheet pile; and,
 FIG. 7 is a top view of the sheet pile.

1 Claim, 4 Drawing Sheets



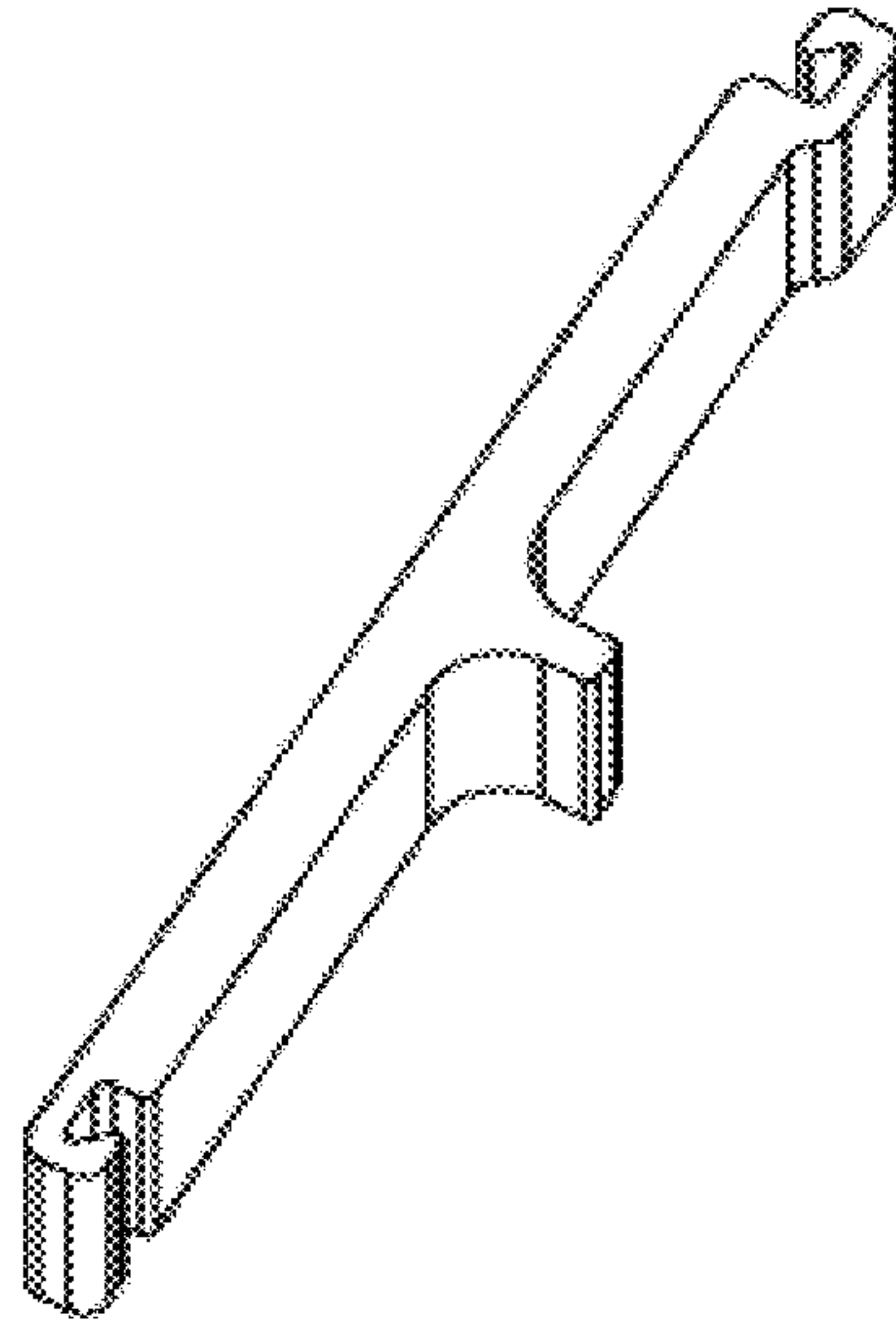


FIG. 1

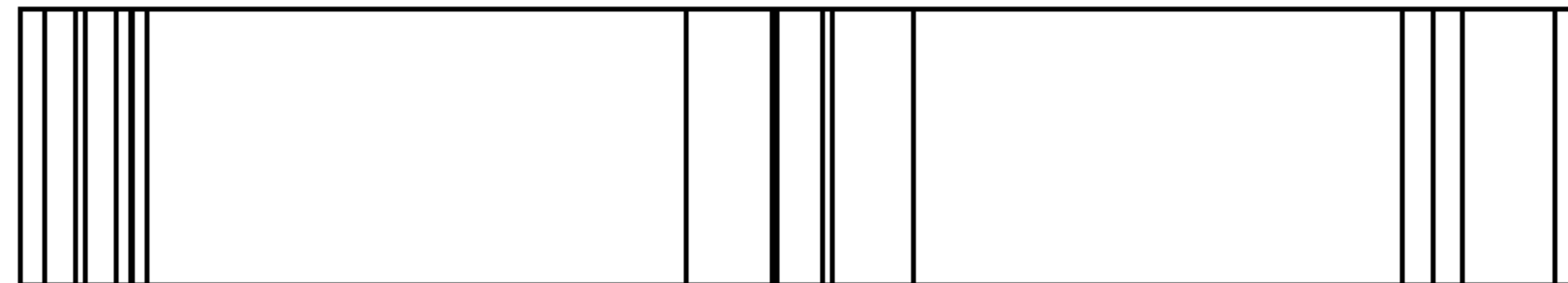


FIG. 2

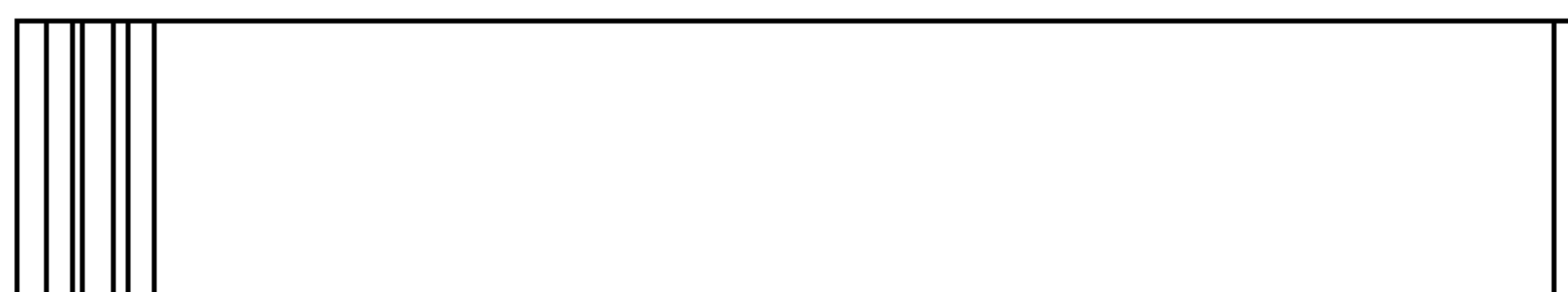


FIG. 3

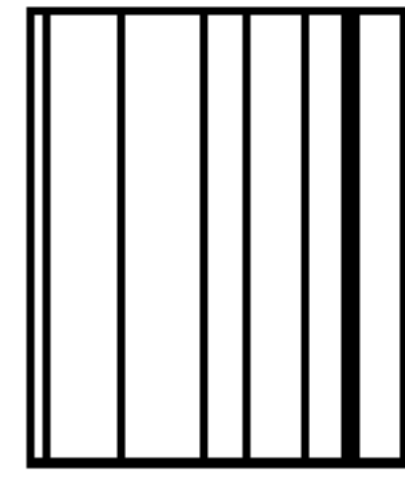


FIG. 4

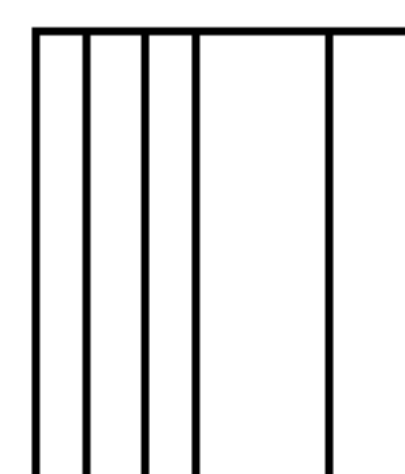


FIG. 5

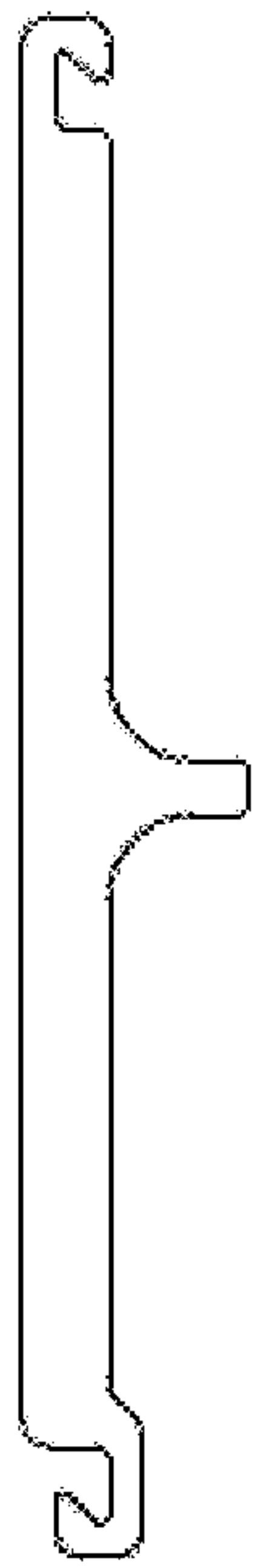


FIG. 6

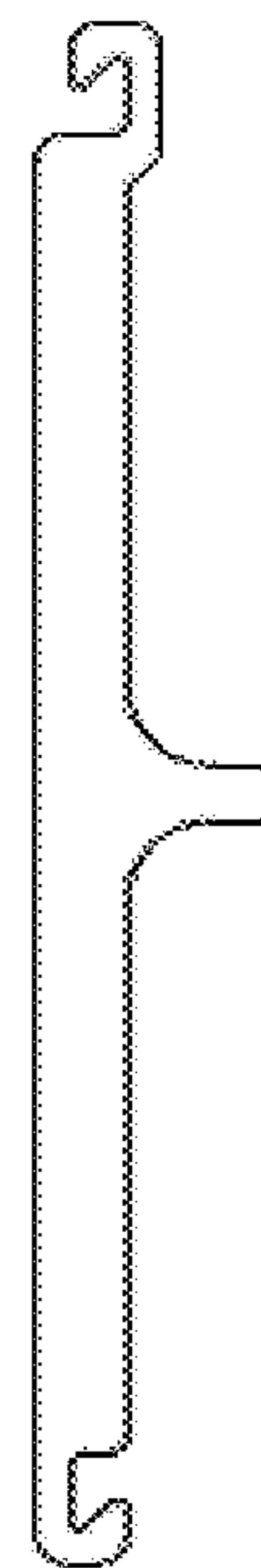


FIG. 7