



US00D837043S

(12) **United States Design Patent**  
**Rehhahn**

(10) **Patent No.:** **US D837,043 S**

(45) **Date of Patent:** **\*\* Jan. 1, 2019**

- (54) **SHEET PILE**
- (71) Applicant: **Jens Rehhahn**, Zeischa (DE)
- (72) Inventor: **Jens Rehhahn**, Zeischa (DE)
- (\*\*) Term: **15 Years**
- (21) Appl. No.: **29/629,174**
- (22) Filed: **Dec. 12, 2017**
- (51) **LOC (11) Cl.** ..... **08-08**
- (52) **U.S. Cl.**  
USPC ..... **D8/382**
- (58) **Field of Classification Search**  
USPC ..... D8/367, 382, 394, 395; D25/119;  
D11/93  
CPC .... E02D 5/02; E02D 5/04; E02D 5/06; E02D  
5/08; E02D 5/12; Y10T 403/73; F16G  
15/12  
See application file for complete search history.

- 6,092,346 A \* 7/2000 Even ..... E02D 5/06  
403/363
- 6,106,201 A \* 8/2000 Bourdouxhe ..... E02D 5/04  
405/276
- D538,948 S \* 3/2007 Thimons ..... D25/119
- 7,387,471 B2 \* 6/2008 Heindl ..... E02D 5/04  
405/274
- D621,245 S \* 8/2010 Heindl ..... D8/382
- D621,246 S \* 8/2010 Heindl ..... D8/382
- D808,782 S \* 1/2018 Heindl ..... D8/382
- D808,783 S \* 1/2018 Heindl ..... D8/382
- 2007/0077129 A1 \* 4/2007 Hermes ..... E02D 5/04  
405/278
- 2007/0183851 A1 \* 8/2007 Van de Coterlet ..... E02D 5/06  
405/279
- 2008/0145153 A1 \* 6/2008 Wendt ..... E02B 3/108  
405/274
- 2008/0152435 A1 \* 6/2008 Heindl ..... E02D 5/06  
405/274
- 2008/0175674 A1 \* 7/2008 Heindl ..... E02D 5/08  
405/278

(Continued)

*Primary Examiner* — Sandra S Snapp

*Assistant Examiner* — Ieisha N Price

(74) *Attorney, Agent, or Firm* — 24IP Law Group;  
Timothy DeWitt

(56) **References Cited**

U.S. PATENT DOCUMENTS

- 824,513 A \* 6/1906 Stevens ..... E02D 5/08  
405/14
- 1,770,652 A \* 7/1930 Meiser ..... E02D 5/04  
405/277
- 1,771,224 A \* 7/1930 Kohler ..... E02D 5/04  
405/277
- 1,835,367 A \* 12/1931 Becker ..... E02D 5/04  
405/277
- 1,835,417 A \* 12/1931 Mauterer ..... E02D 5/04  
405/277
- 1,837,787 A \* 12/1931 Meiser ..... E02D 5/08  
29/897.3
- 1,841,779 A \* 1/1932 Becker ..... E02D 5/04  
405/279
- D272,887 S \* 3/1984 Parton ..... D8/382
- 6,000,883 A \* 12/1999 Irvine ..... E02D 5/02  
405/274

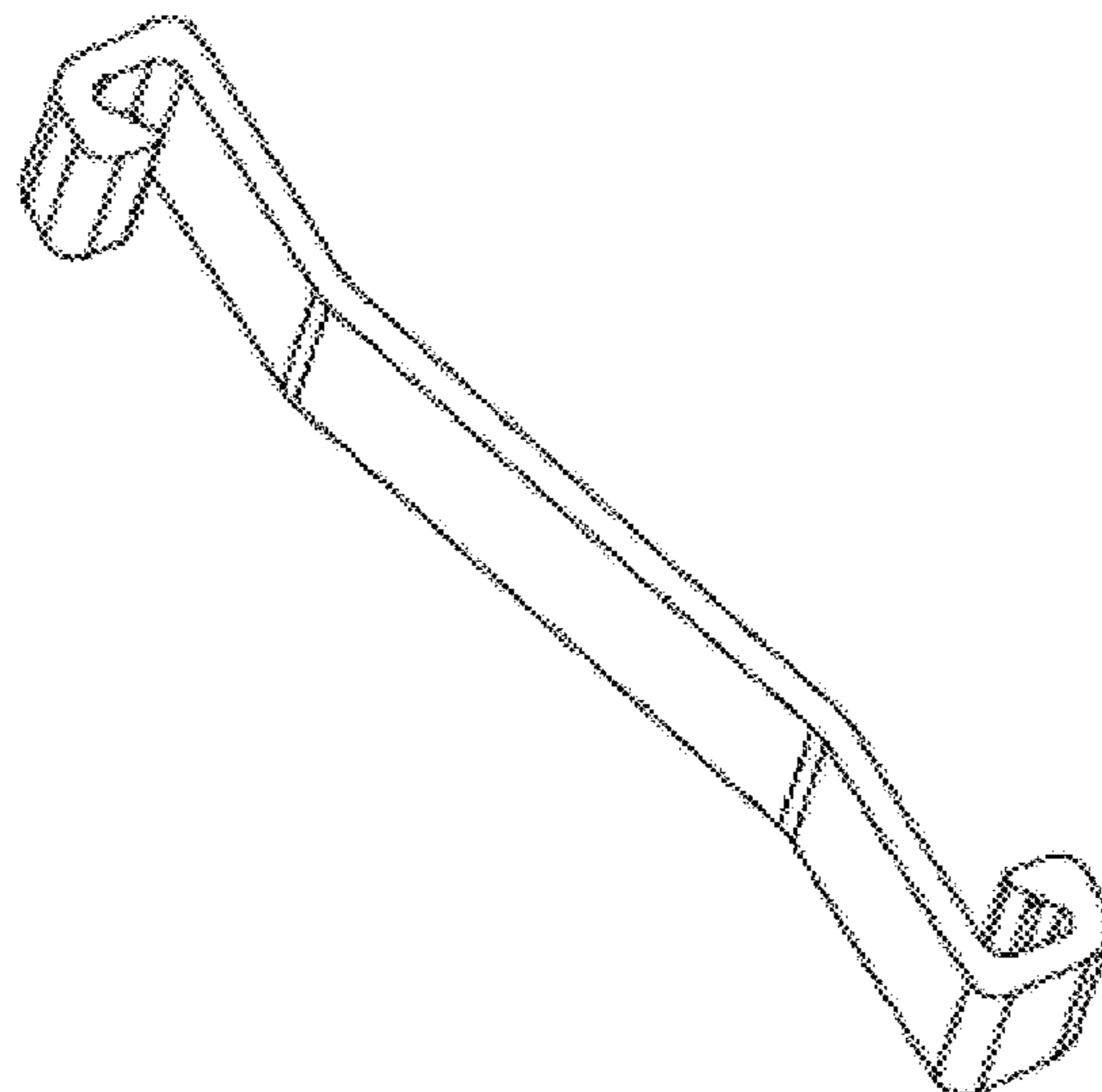
(57) **CLAIM**

The ornamental design for a sheet pile, as shown and described.

**DESCRIPTION**

FIG. 1 is a perspective view of the sheet pile;  
FIG. 2 is a right side view of the sheet pile;  
FIG. 3 is a left side view of the sheet pile;  
FIG. 4 is a rear view of the sheet pile;  
FIG. 5 is a front view of the sheet pile;  
FIG. 6 is a bottom view of the sheet pile; and,  
FIG. 7 is a top view of the sheet pile.

**1 Claim, 4 Drawing Sheets**



(56)

**References Cited**

U.S. PATENT DOCUMENTS

2012/0177445 A1\* 7/2012 Wendt ..... E02D 5/08  
405/211.1  
2017/0002536 A1\* 1/2017 Dawson ..... E02D 5/04

\* cited by examiner

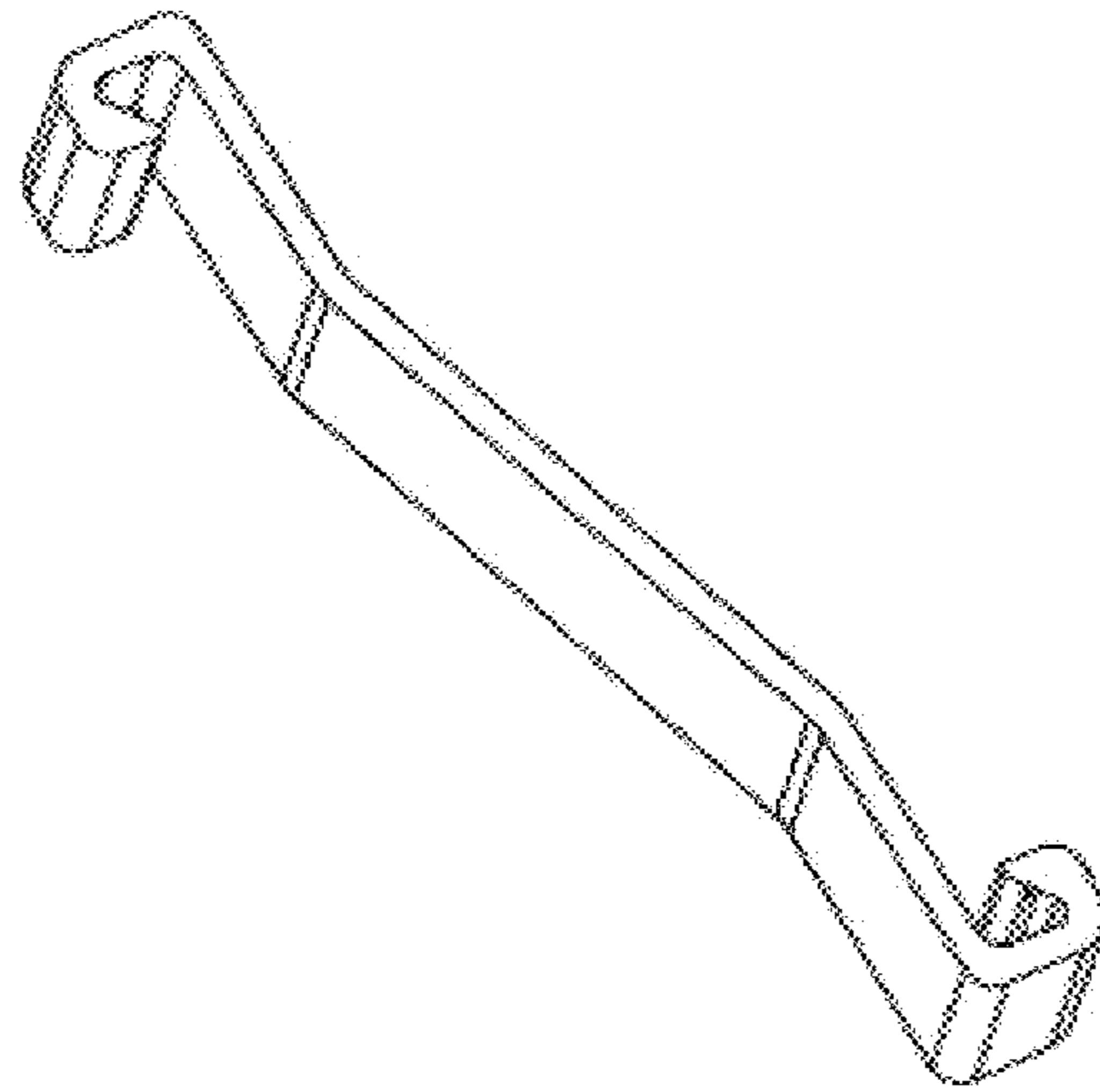


FIG. 1



FIG. 2



FIG. 3

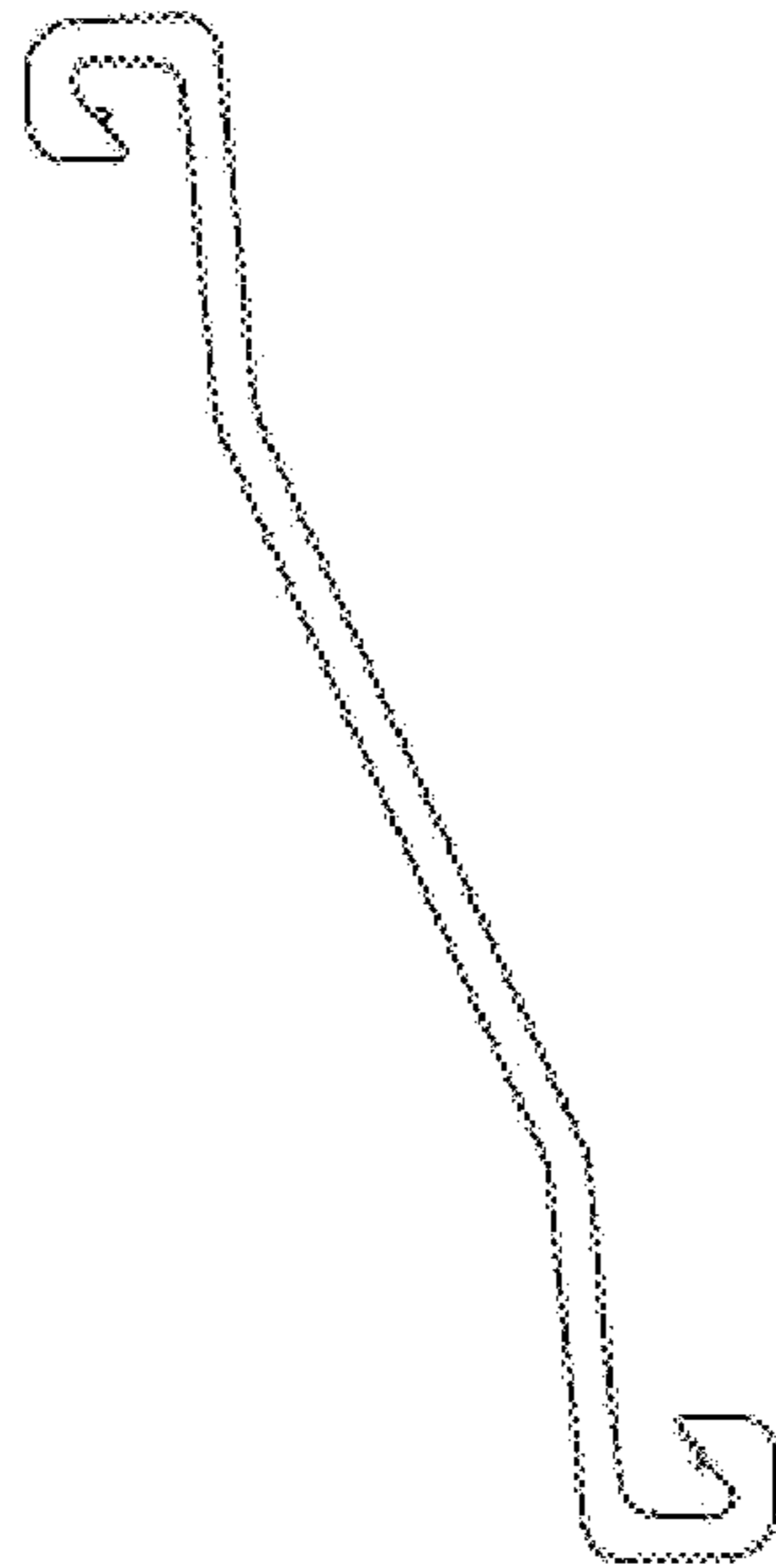


FIG. 4

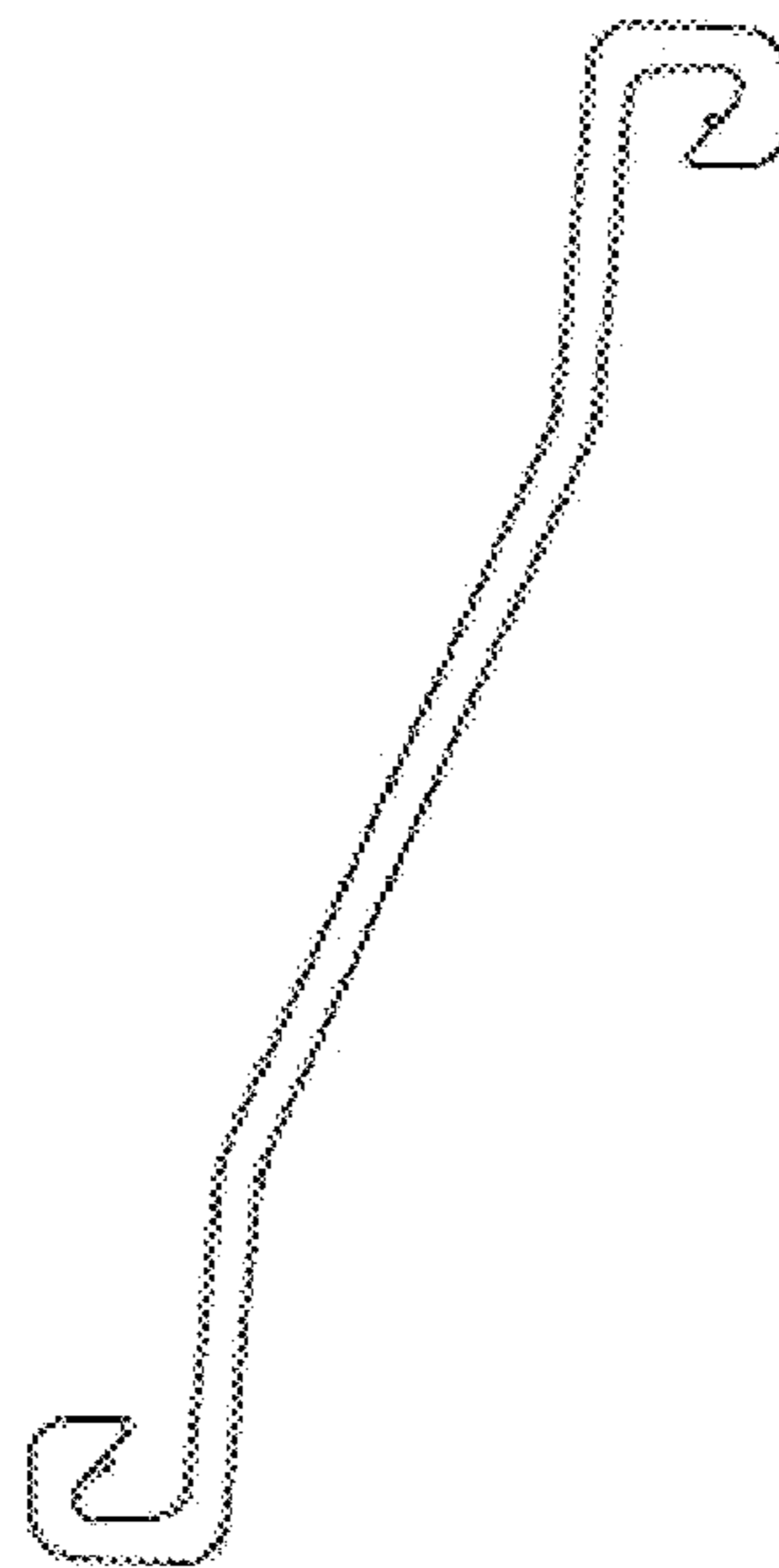


FIG. 5

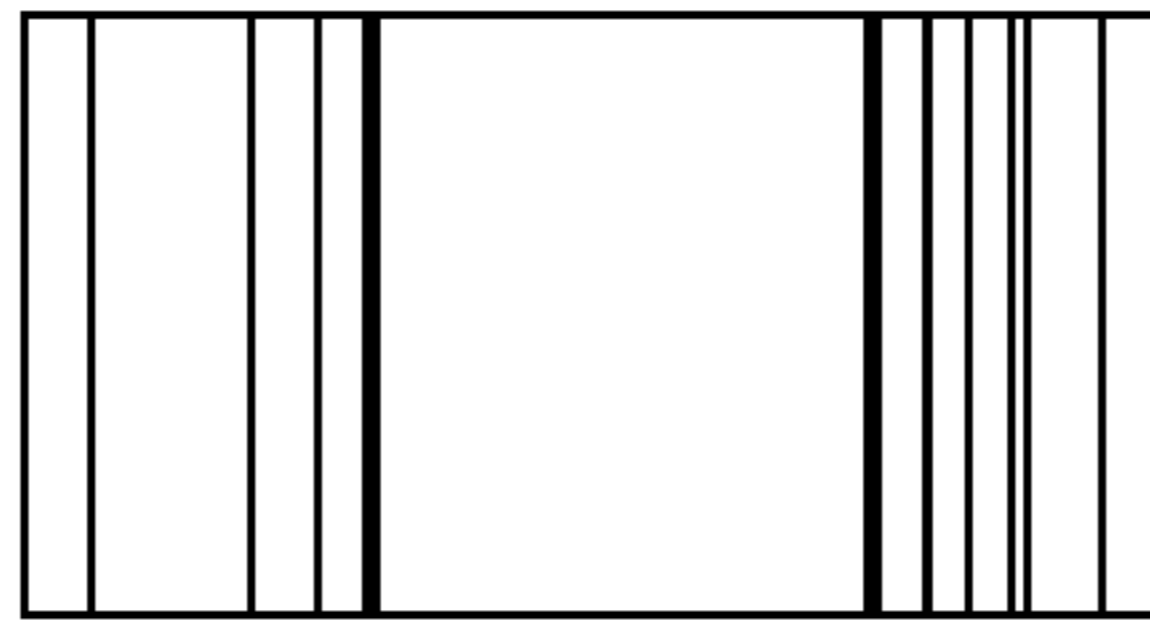


FIG. 6

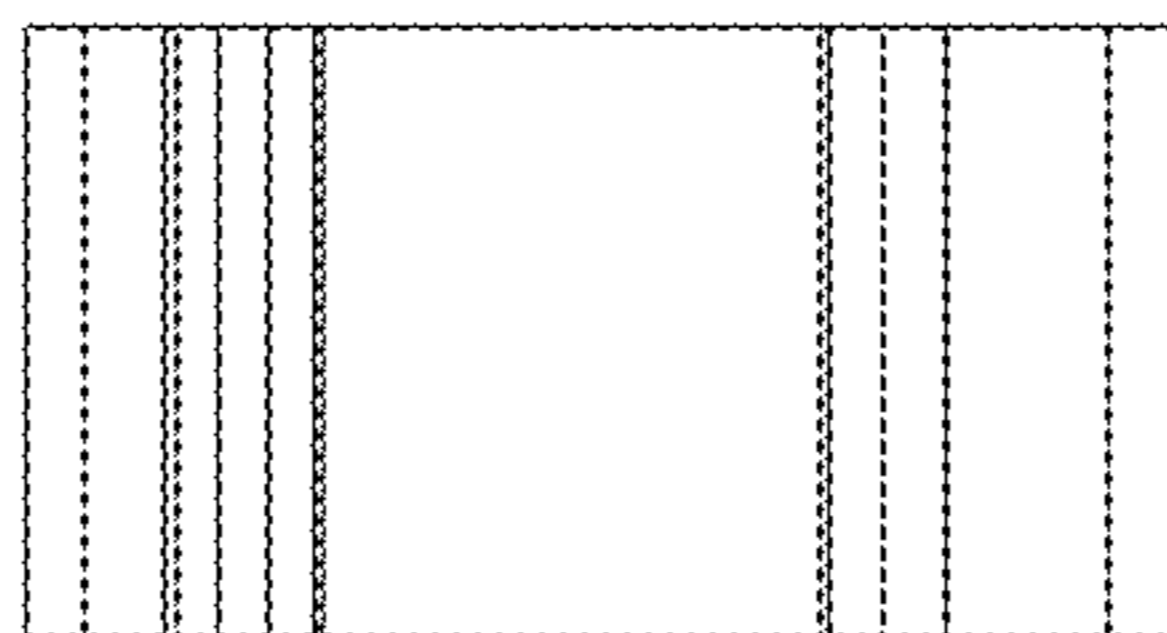


FIG. 7