



US00D837039S

(12) **United States Design Patent**
Angus

(10) **Patent No.:** **US D837,039 S**

(45) **Date of Patent:** **** Jan. 1, 2019**

(54) **HOSE HANGER**

(71) Applicant: **Watts Regulator Co.**, North Andover, MA (US)

(72) Inventor: **Michael T. Angus**, Derry, PA (US)

(73) Assignee: **Watts Regulator Co.**, North Andover, MA (US)

(**) Term: **15 Years**

(21) Appl. No.: **29/633,782**

(22) Filed: **Jan. 16, 2018**

(51) **LOC (11) Cl.** **08-05**

(52) **U.S. Cl.**
USPC **D8/356**

(58) **Field of Classification Search**
USPC D8/396, 394, 382, 349, 354
CPC F16L 3/003; F16L 3/1215
See application file for complete search history.

(56) **References Cited**

U.S. PATENT DOCUMENTS

D465,188 S *	11/2002	McCoy	D12/223
D506,668 S *	6/2005	Black	D8/354
D514,432 S *	2/2006	McLaughlin	D8/356
D604,381 S *	11/2009	Miller	D22/107
D628,465 S *	12/2010	Hernandez	D8/356
D658,045 S *	4/2012	Tabler	D8/382
8,286,892 B1 *	10/2012	Schwanebek	B05B 15/622
				239/1
D688,053 S *	8/2013	Chiu	D6/361

D766,711 S *	9/2016	Babbage	D8/394
D772,041 S *	11/2016	Miner	D8/356
D786,656 S *	5/2017	Miner	D8/356
D798,700 S *	10/2017	Byerly	D8/396
D801,785 S *	11/2017	Thuma	D8/358
D814,270 S *	4/2018	Stoll	D8/356
D815,936 S *	4/2018	Naslund	D8/356
D826,033 S *	8/2018	Feng	D8/356
D826,698 S *	8/2018	Nelson	D8/356
D827,422 S *	9/2018	Kundig	D8/382
D828,746 S *	9/2018	Barnes	D8/382
D828,747 S *	9/2018	Barnes	D8/382

* cited by examiner

Primary Examiner — Cynthia R Underwood

(74) *Attorney, Agent, or Firm* — Burns & Levinson LLP;
George N. Chaclas; Joseph P. Quinn

(57) **CLAIM**

The ornamental design for a hose hanger, as shown and described.

DESCRIPTION

FIG. 1 is a top perspective view of a hose hanger showing our new design.

FIG. 2 is a bottom perspective view of the hose hanger of FIG. 1.

FIG. 3 is a rear view of the hose hanger of FIG. 1.

FIG. 4 is a front view of the hose hanger of FIG. 1.

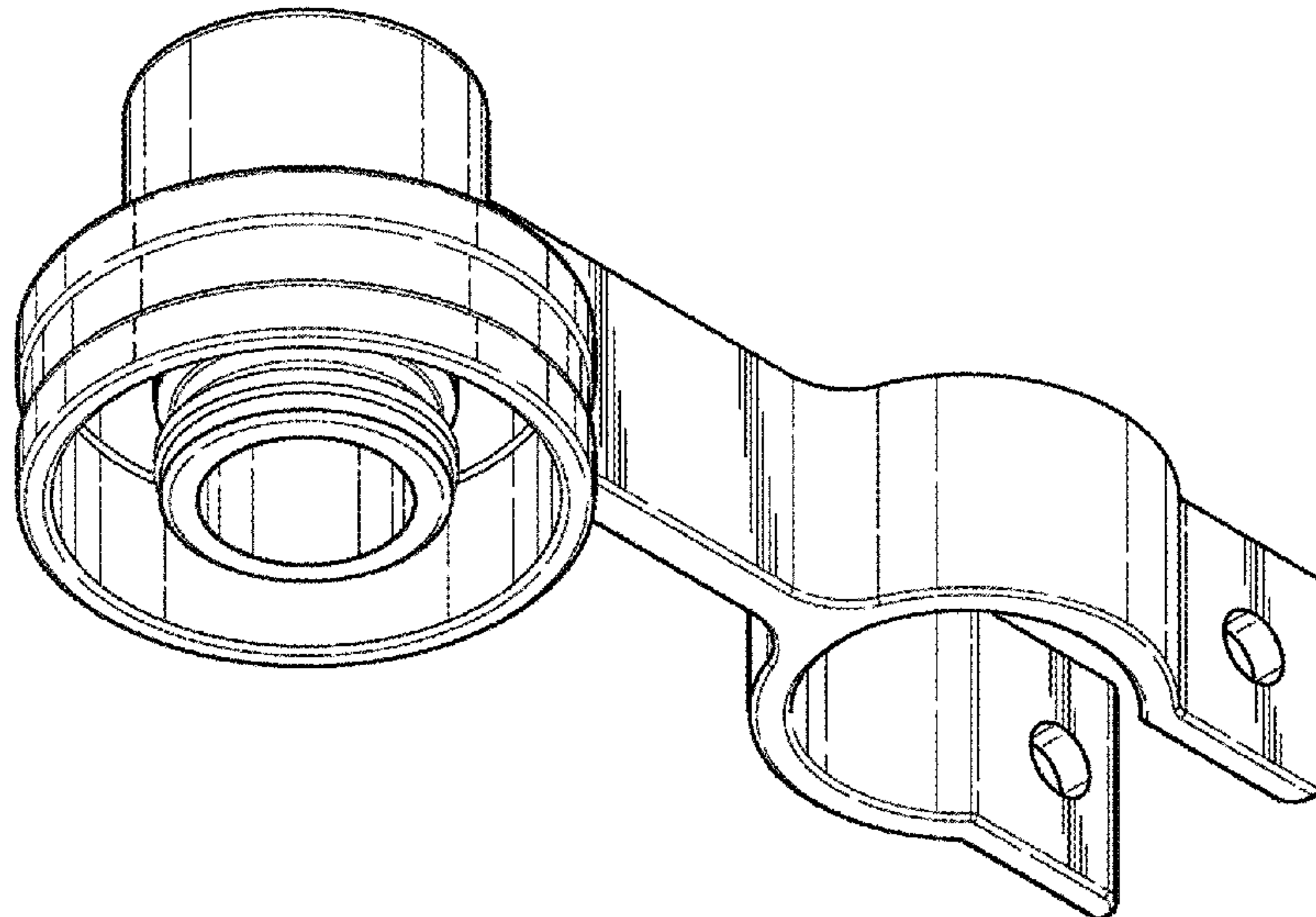
FIG. 5 is a left side view of the hose hanger of FIG. 1.

FIG. 6 is a right side view of the hose hanger of FIG. 1.

FIG. 7 is a top view of the hose hanger of FIG. 1; and,

FIG. 8 is a bottom view of the hose hanger of FIG. 1.

1 Claim, 5 Drawing Sheets



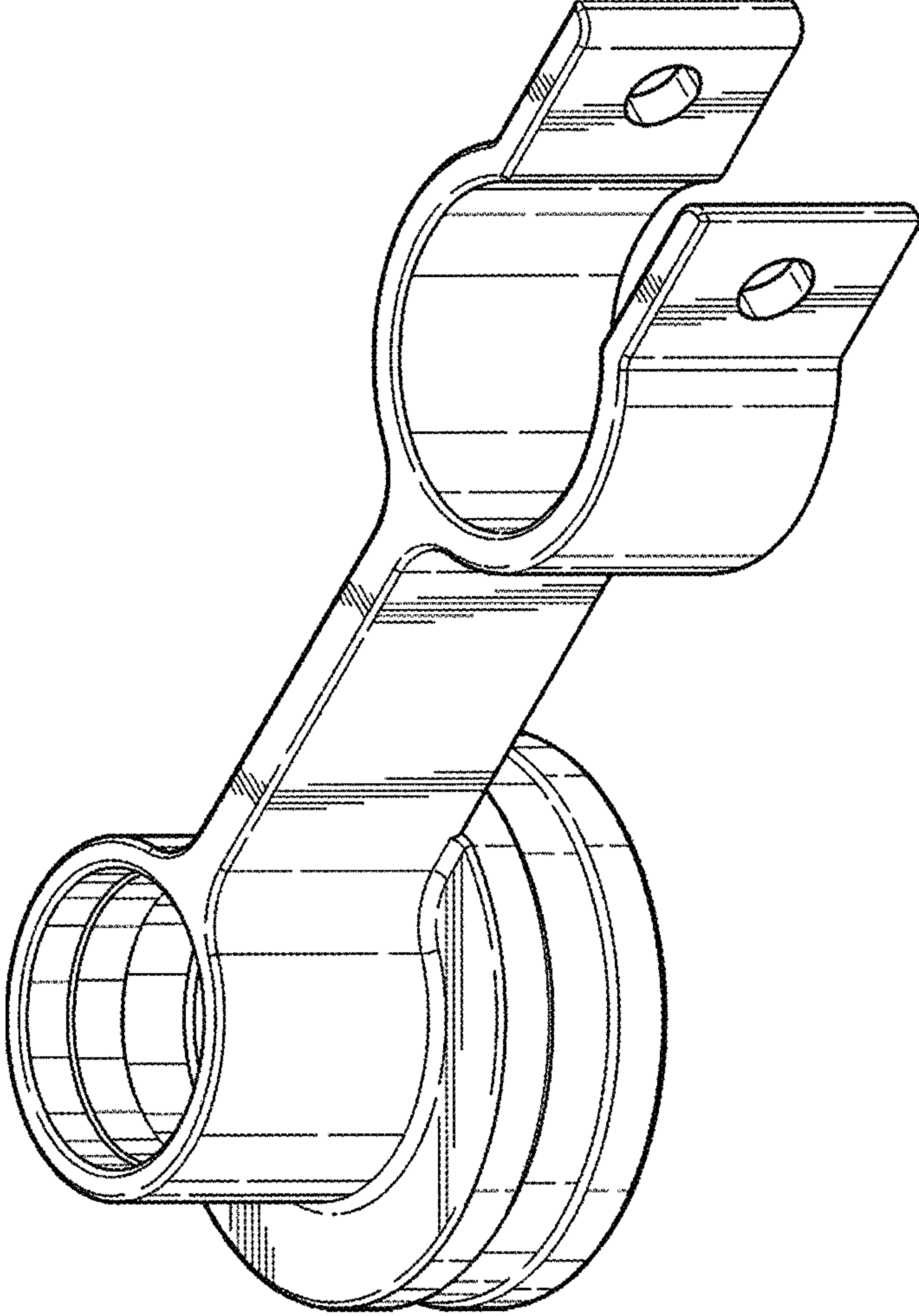


FIG. 1

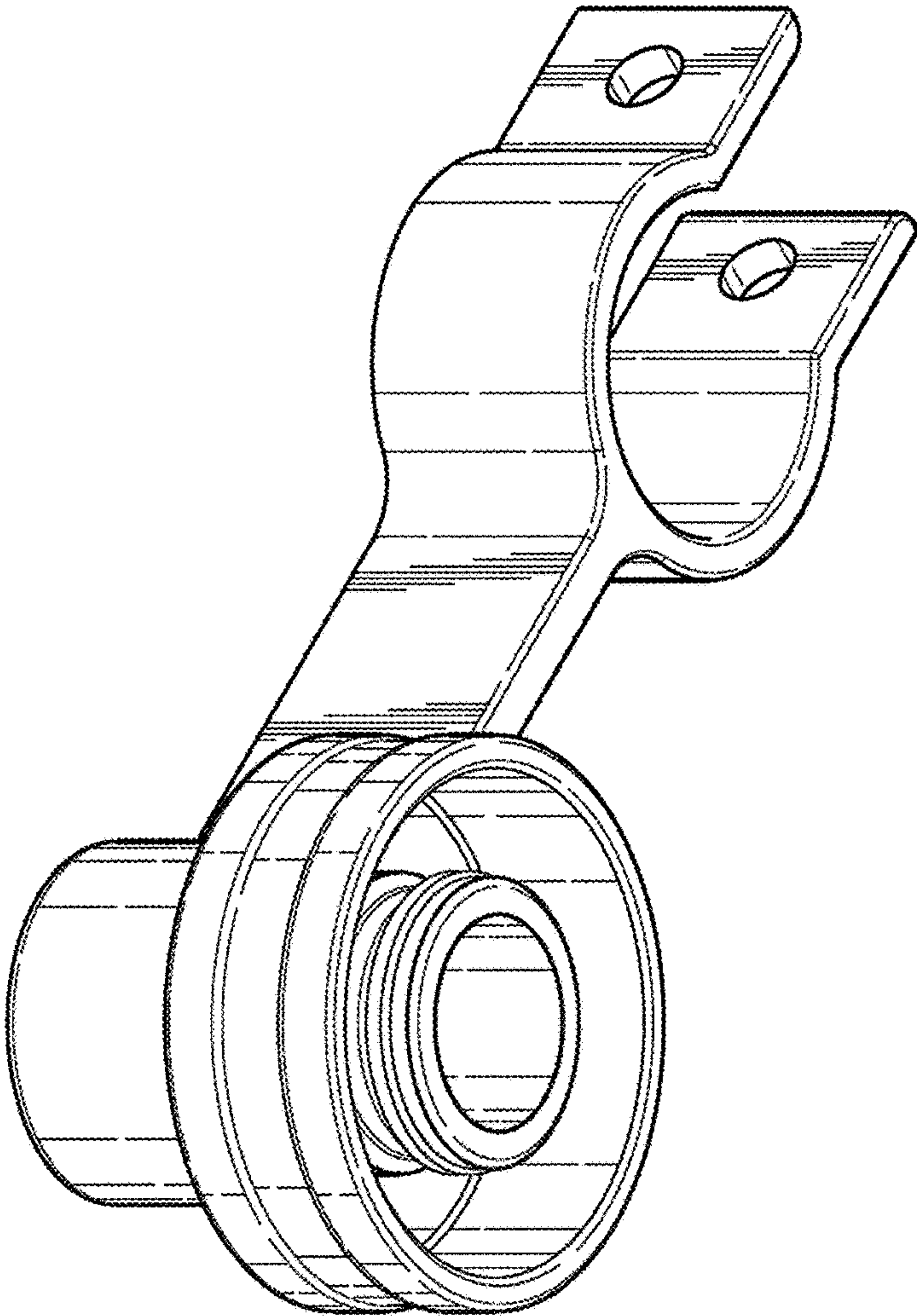


FIG. 2

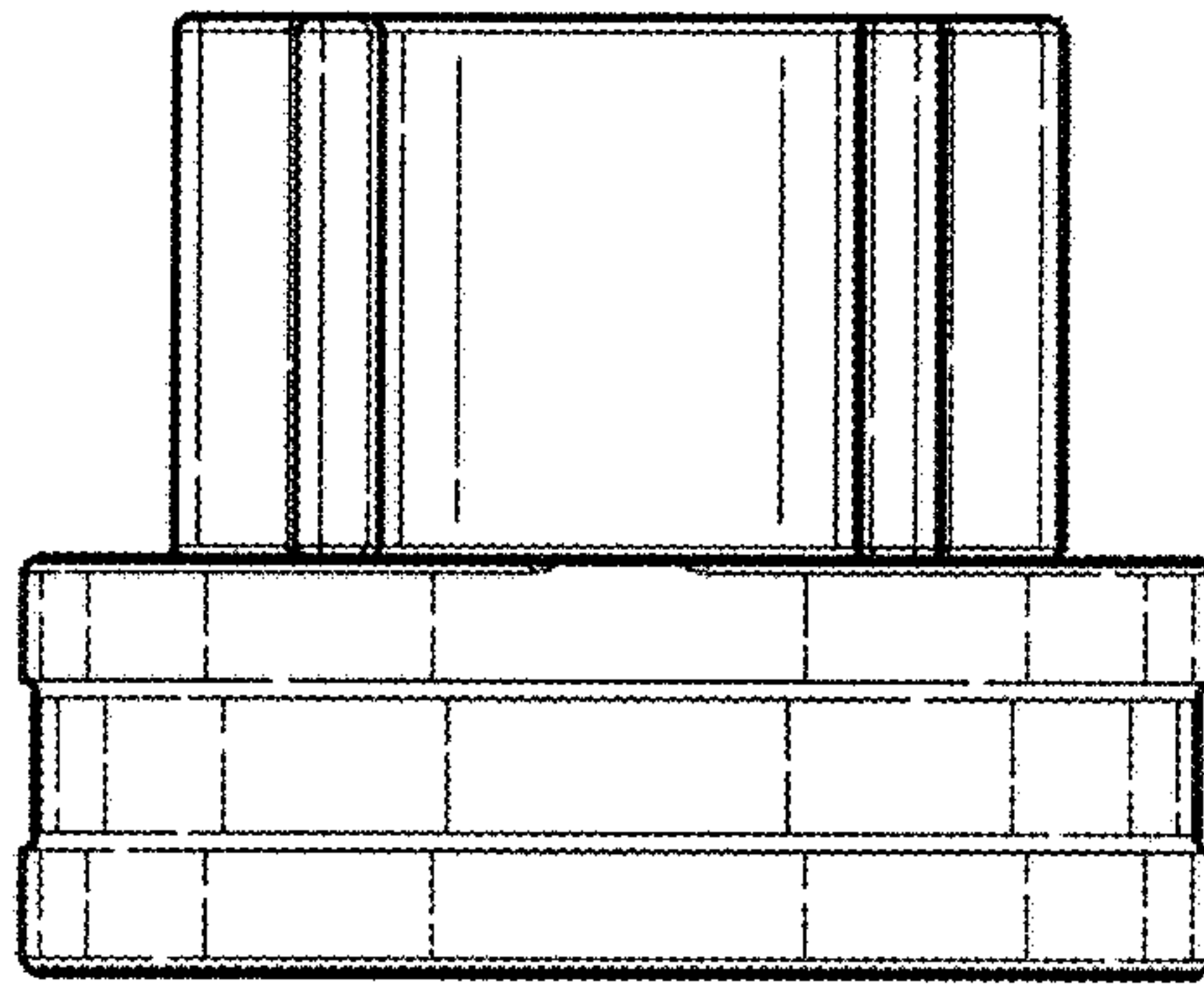


FIG. 3

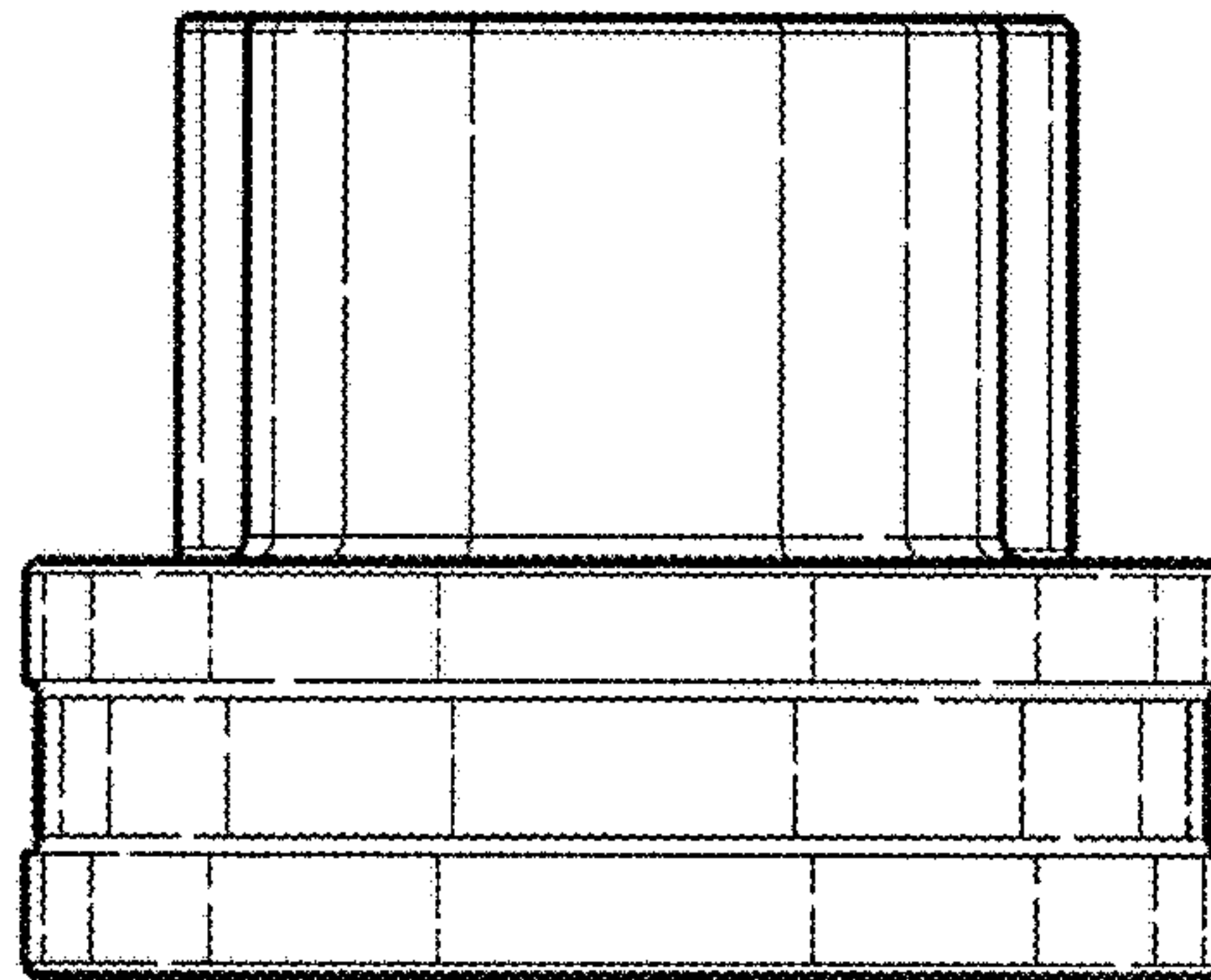


FIG. 4

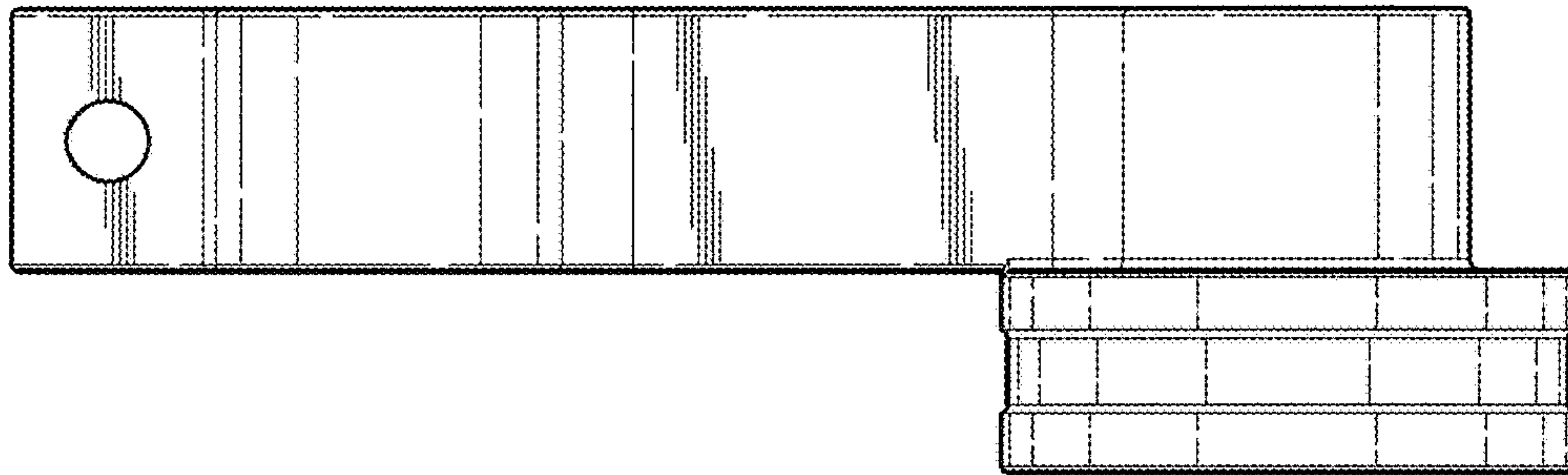


FIG. 5

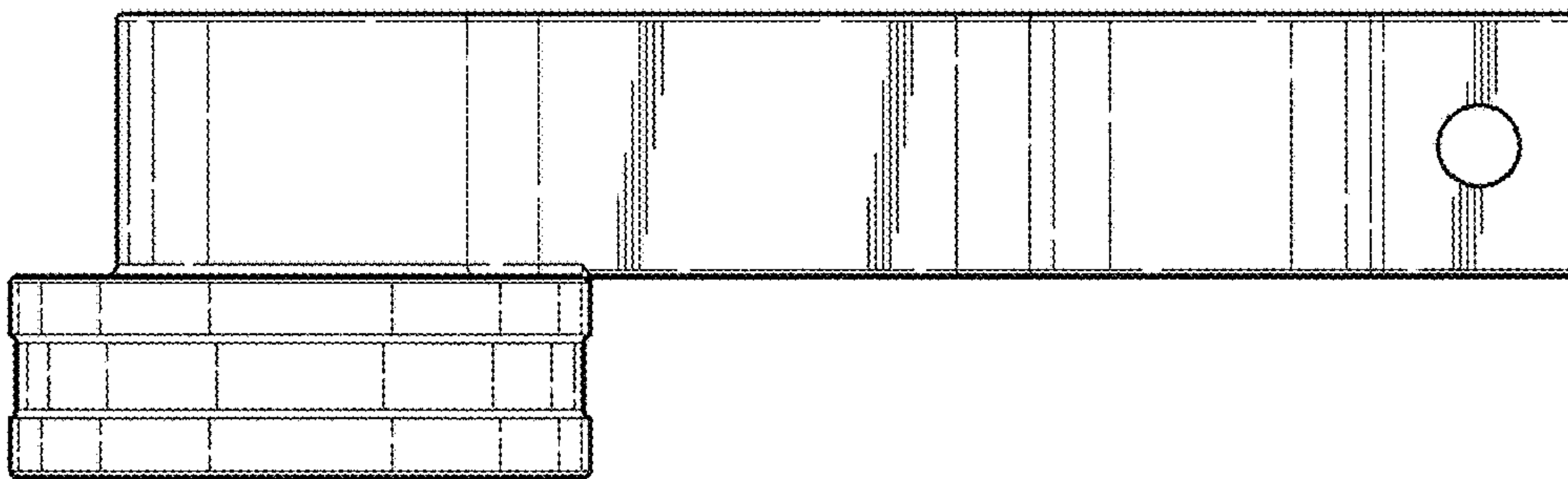


FIG. 6

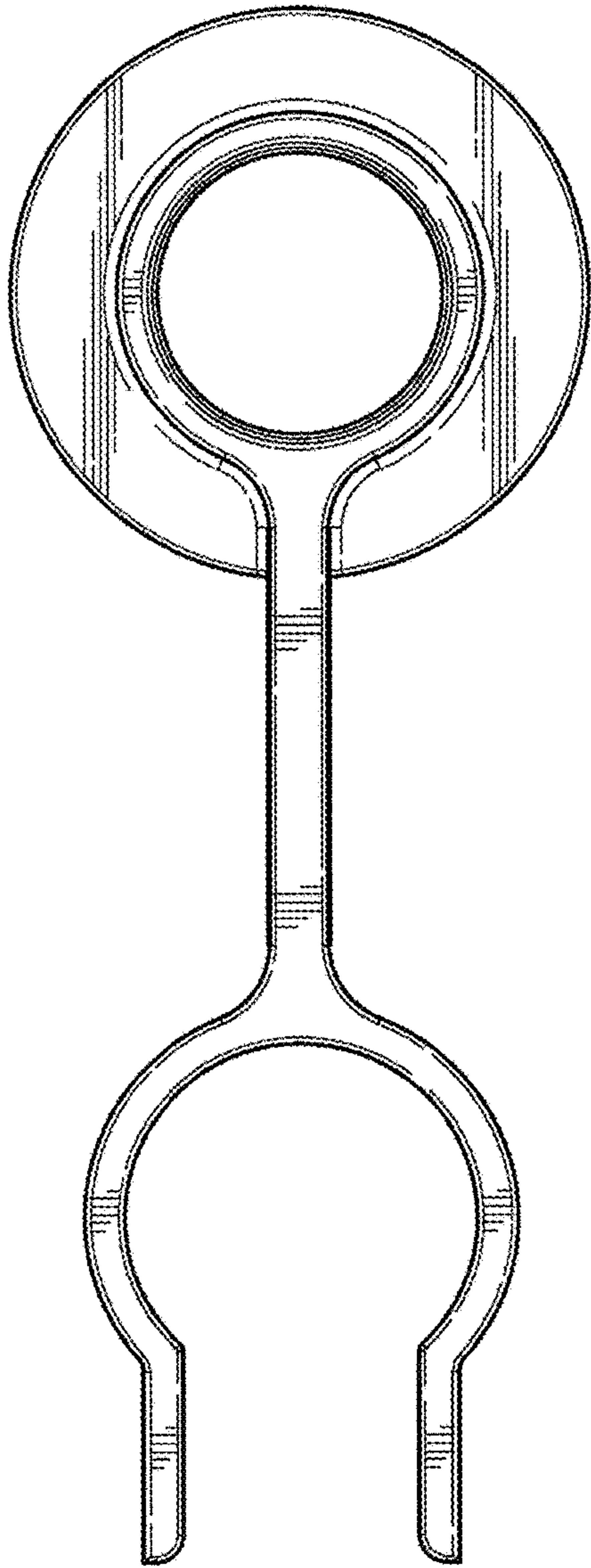


FIG. 7

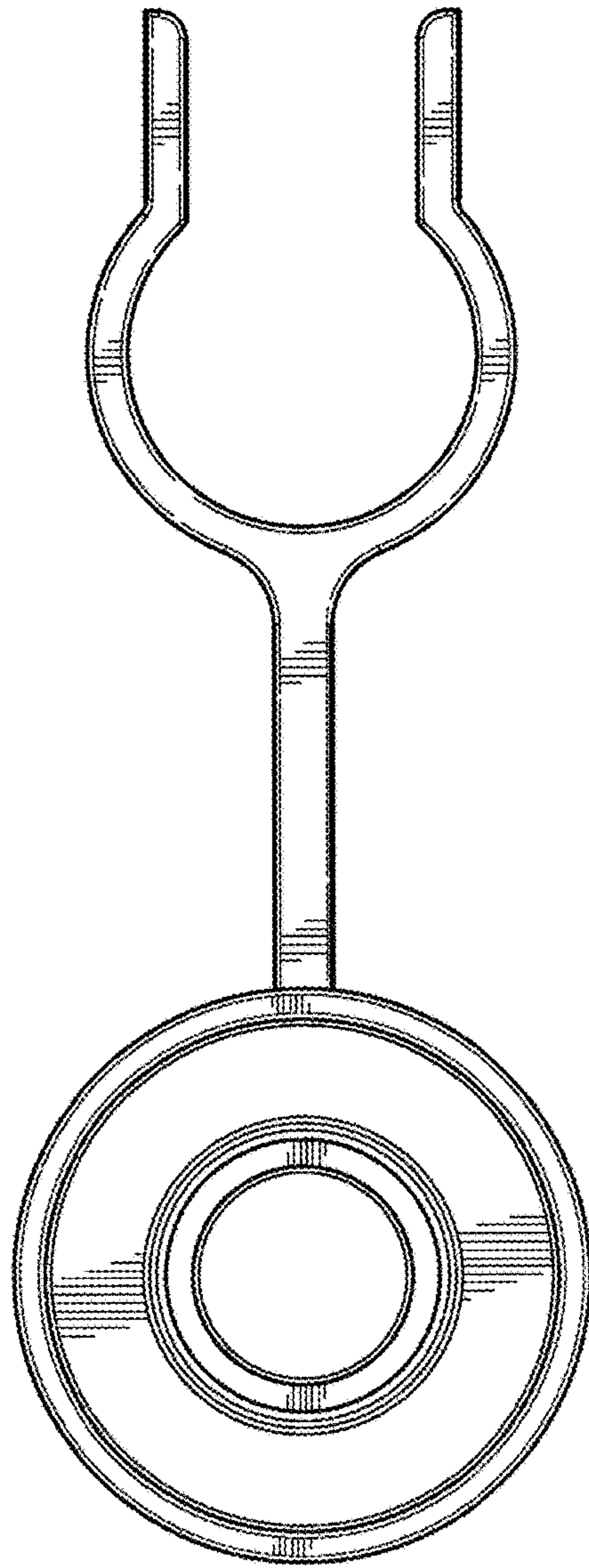


FIG. 8