



US00D837036S

(12) **United States Design Patent**  
**Jackson et al.**

(10) **Patent No.:** **US D837,036 S**  
(45) **Date of Patent:** **\*\* Jan. 1, 2019**

- (54) **TRUSS ARM**
- (71) Applicant: **SNAP-ON, Incorporated**, Conway, AR (US)
- (72) Inventors: **David A. Jackson**, Point Roberts, WA (US); **Adam C. Brown**, Maumelle, AR (US); **Ronald D. Swayne**, Sherwood, AR (US); **Brian K. Gray**, Conway, AR (US); **Bryan C. Minor**, Conway, AR (US); **Rodney Harrell**, Greenbrier, AR (US)
- (73) Assignee: **SNAP-ON INCORPORATED**, Kenosha, WI (US)

4,077,176	A *	3/1978	Bauer	.....	E04C 3/292	52/692
4,094,116	A *	6/1978	Gilb	.....	E04C 3/292	403/217
4,730,742	A *	3/1988	Feterl	.....	B66F 19/00	212/239
4,750,309	A *	6/1988	Reetz	.....	E04C 3/292	52/690
D441,130	S *	4/2001	Compton	.....	D26/155	
7,543,419	B2 *	6/2009	Rue	.....	E04C 2/22	52/309.16
8,464,967	B2 *	6/2013	Kuphal	.....	B05B 1/20	172/459
9,278,741	B2 *	3/2016	Merchant	.....	B63C 1/02	
D781,727	S *	3/2017	Jackson	.....	D10/65	
2014/0263766	A1 *	9/2014	Venton-Walters	.....	A01G 25/09	239/726

(\*\*) Term: **15 Years**

(21) Appl. No.: **29/541,064**

(22) Filed: **Sep. 30, 2015**

(51) **LOC (11) Cl.** ..... **08-05**

(52) **U.S. Cl.**  
USPC ..... **D8/354**

(58) **Field of Classification Search**  
USPC ..... D8/354, 363; D10/61, 62, 65, 70  
CPC ..... G01B 11/275; G01B 2210/00; G01B 2210/10; G01B 2210/12; G01B 2210/14; G01B 2210/143; G01B 2210/146; G01B 2210/24; G01B 2210/26; G01B 2210/28; G01B 2210/283; G01B 2210/20  
See application file for complete search history.

(56) **References Cited**

**U.S. PATENT DOCUMENTS**

4,062,167	A *	12/1977	Gilb	.....	E04C 3/292	403/217
4,069,635	A *	1/1978	Gilb	.....	E04C 3/292	52/693

\* cited by examiner

*Primary Examiner* — Lakiya G Rogers

*Assistant Examiner* — Harold E Blackwell, II

(74) *Attorney, Agent, or Firm* — Miles & Stockbridge P.C.

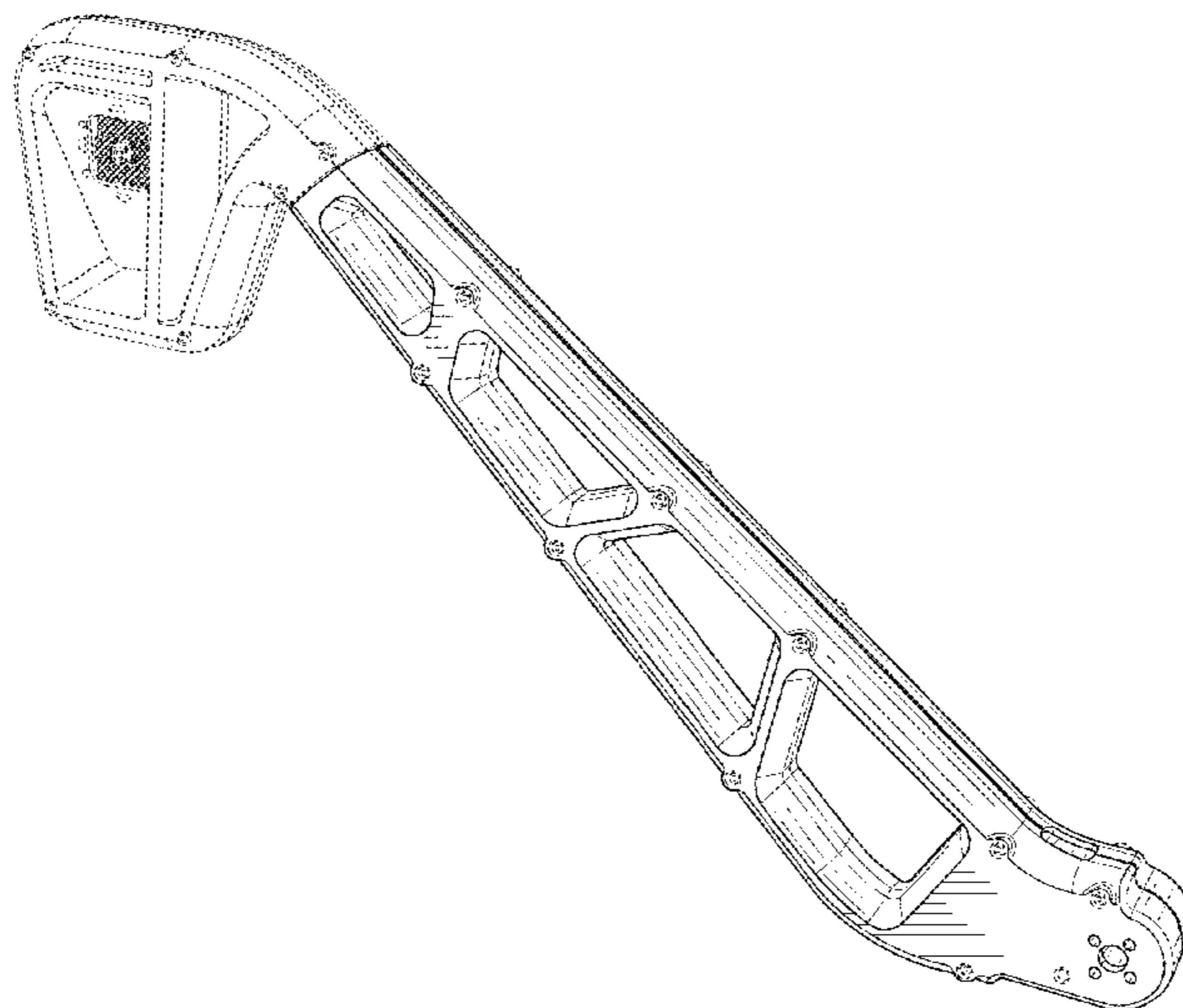
(57) **CLAIM**

The ornamental design for a truss arm, as shown and described.

**DESCRIPTION**

FIG. 1 is a front isometric view of the truss arm, showing the new design;  
FIG. 2 is a front elevation view thereof;  
FIG. 3 is a rear elevation view thereof;  
FIG. 4 is a side elevation view thereof;  
FIG. 5 is another side elevation view thereof;  
FIG. 6 is a top plan view thereof; and,  
FIG. 7 is a bottom plan view thereof.  
The broken lines in the drawings depict parts of the truss arm that form no part of the claimed design.

**1 Claim, 5 Drawing Sheets**



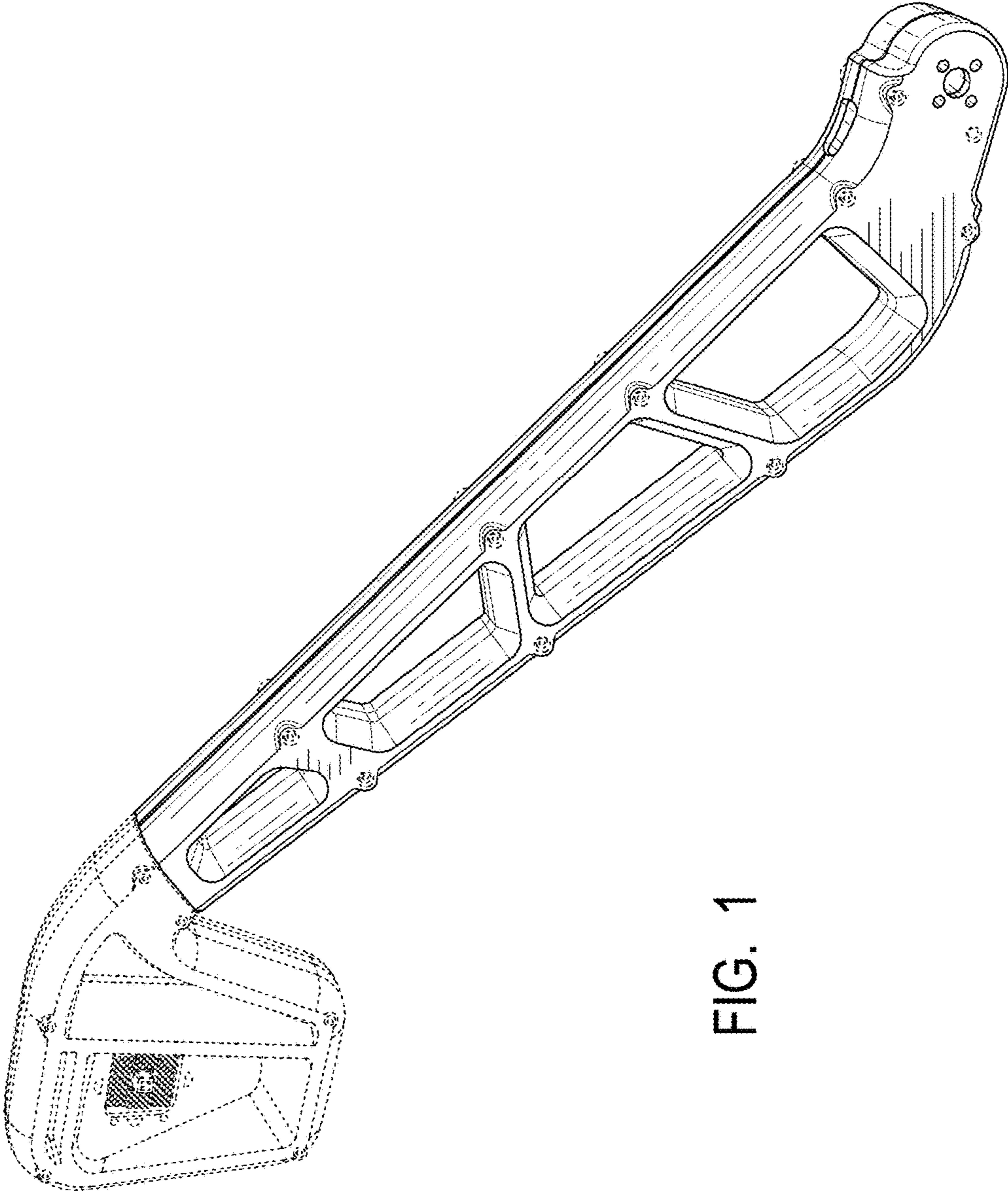


FIG. 1

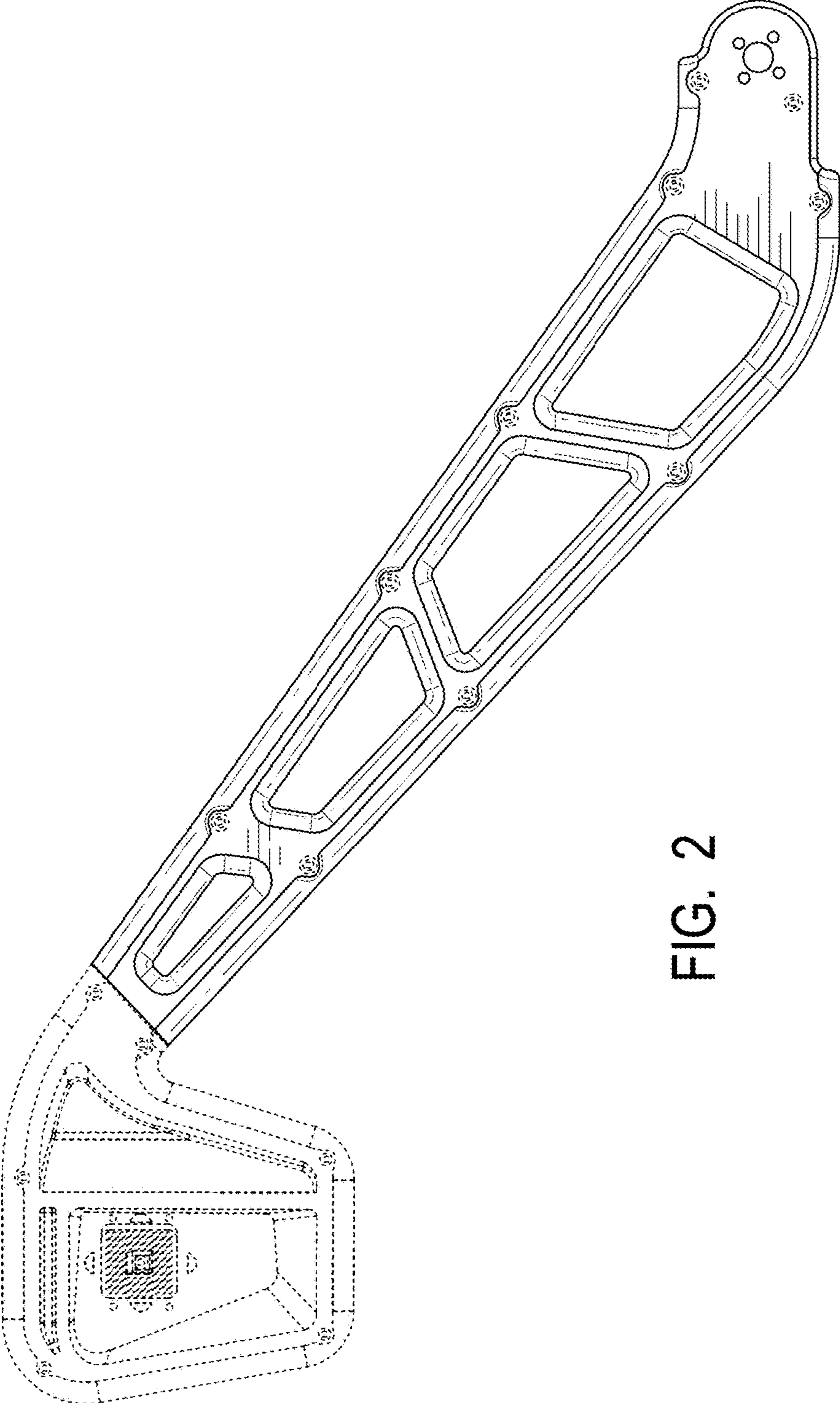


FIG. 2

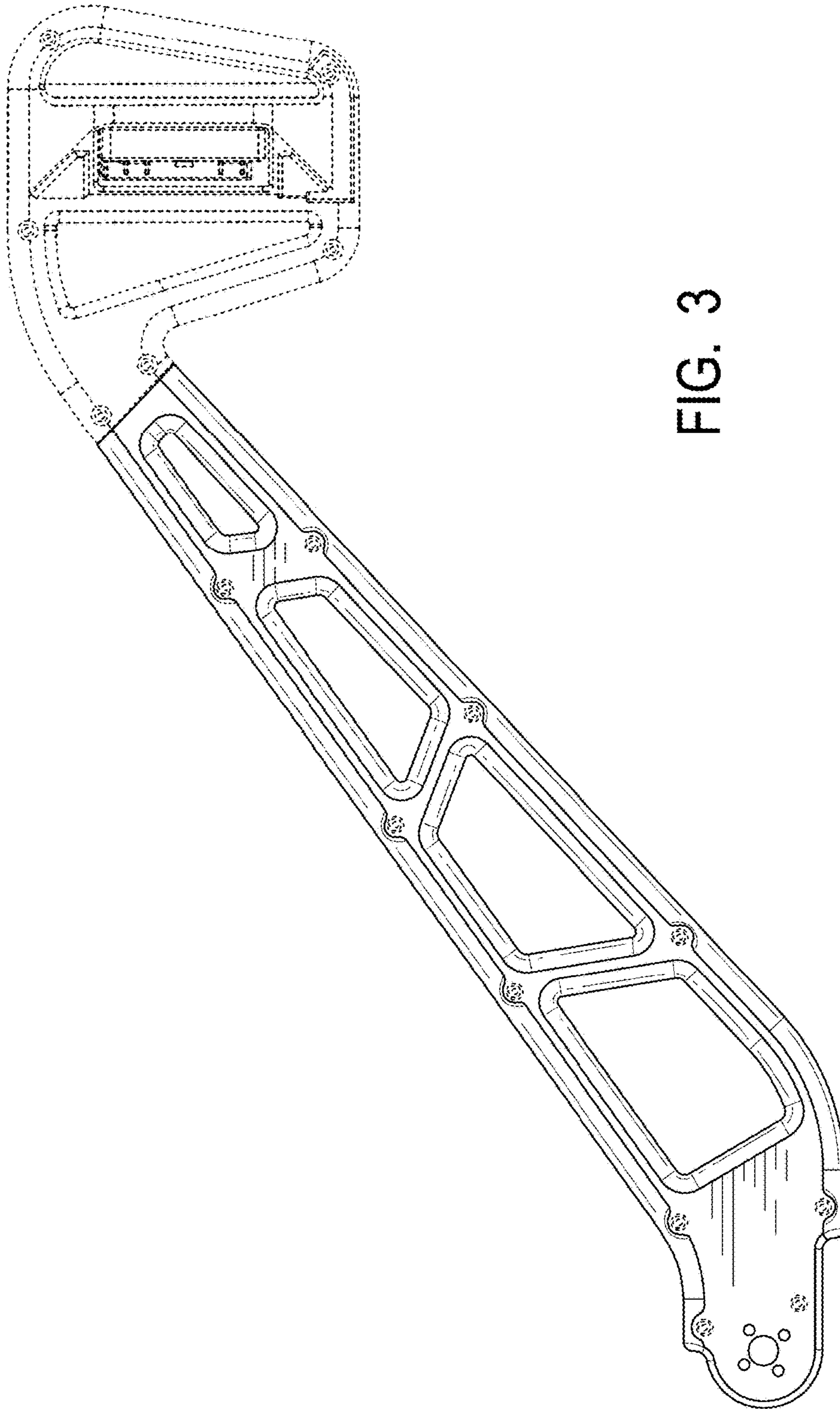


FIG. 3

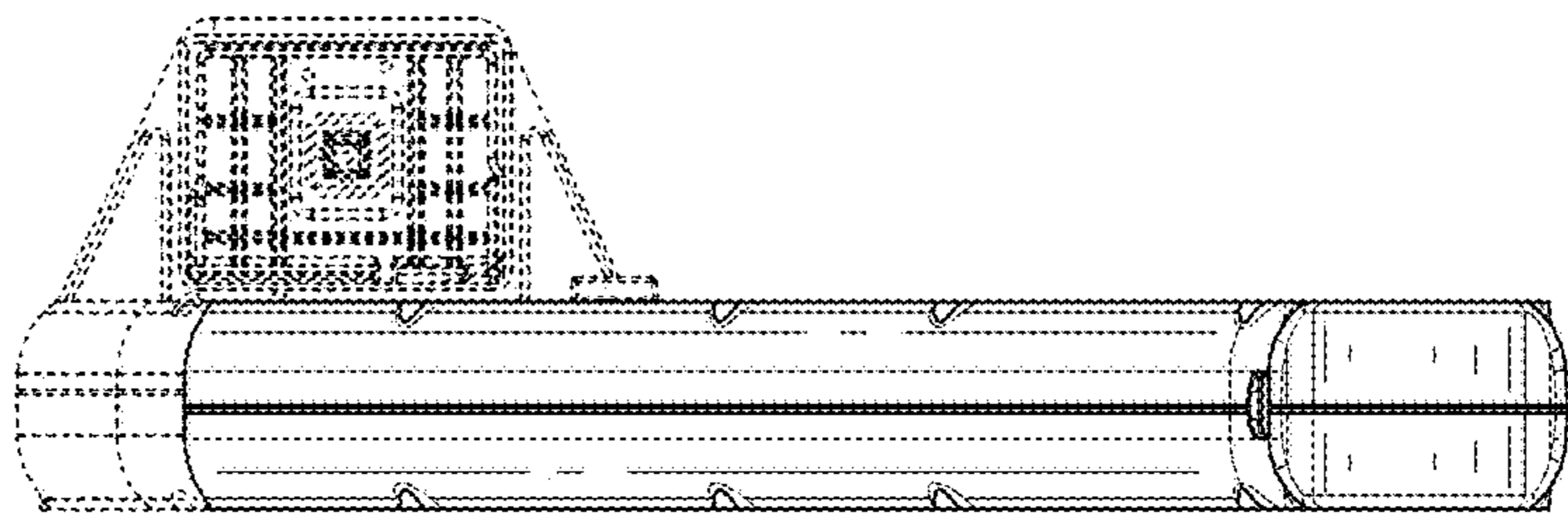


FIG. 5

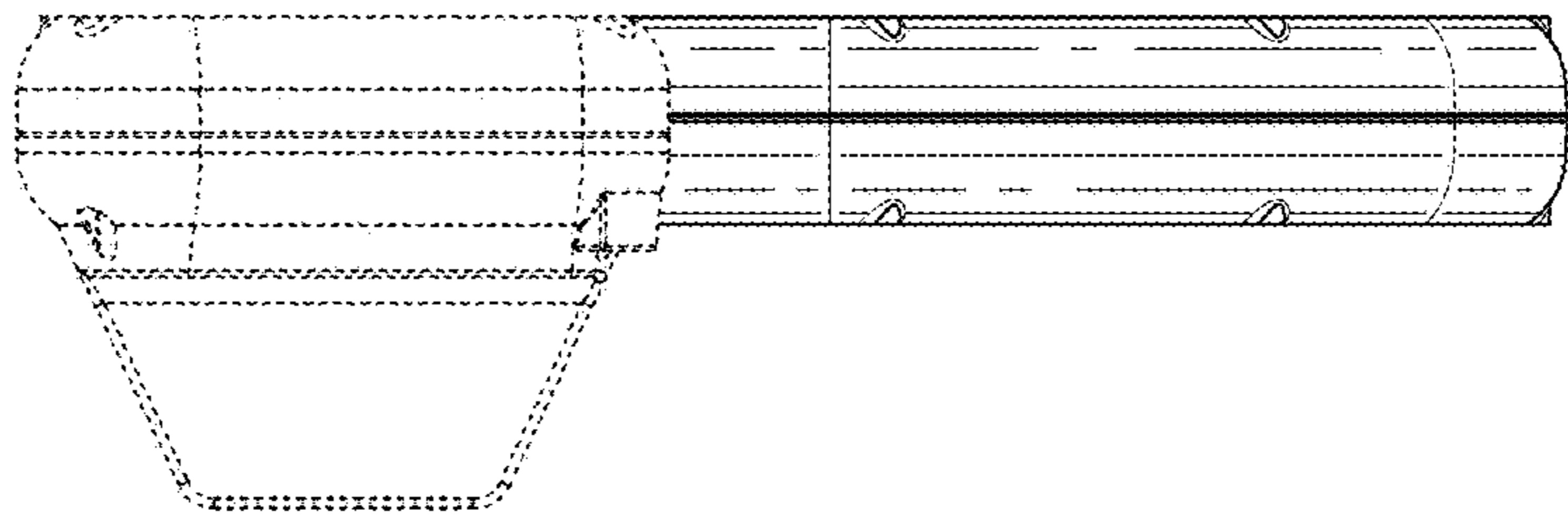


FIG. 4

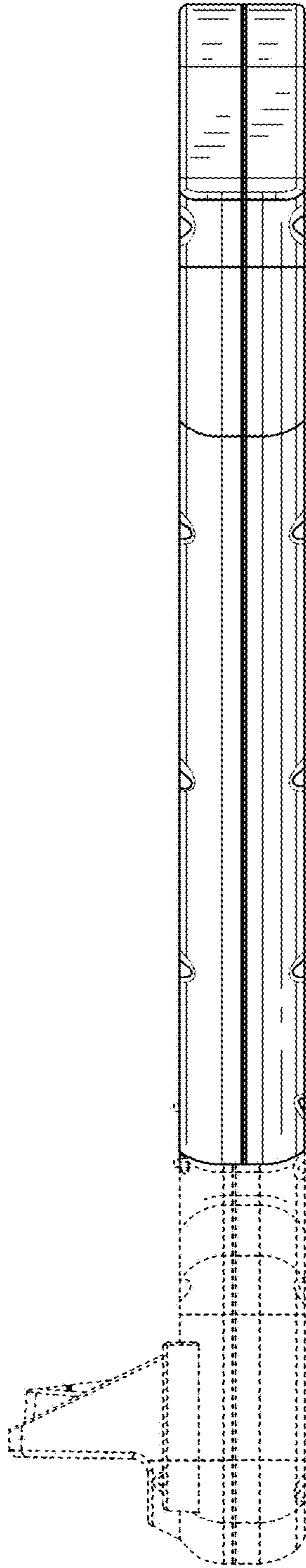


FIG. 6

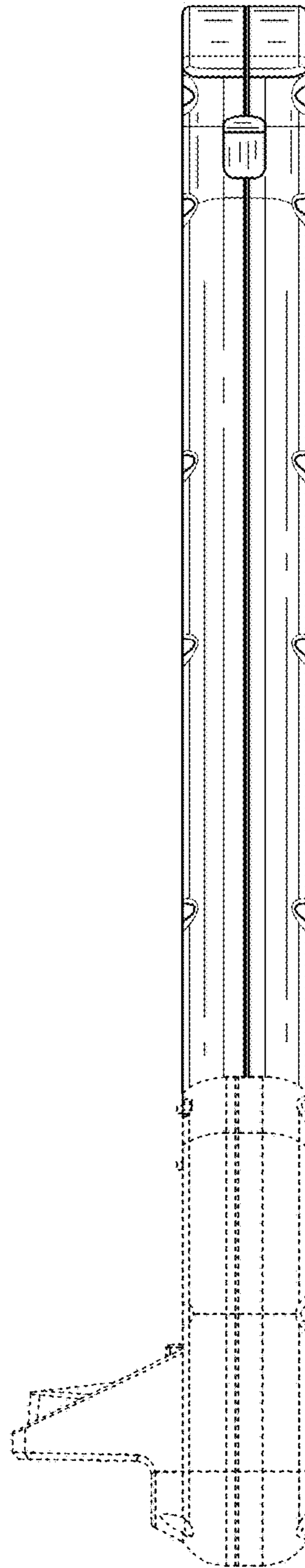


FIG. 7