



US00D837035S

(12) **United States Design Patent**
Zhu

(10) **Patent No.:** **US D837,035 S**

(45) **Date of Patent:** **** Jan. 1, 2019**

- (54) **TWIST LOCK**
- (71) Applicant: **ZH Brothers International, Inc.**,
Mishawaka, IN (US)
- (72) Inventor: **Guoqiang "Aston" Zhu**, Mishawaka,
IN (US)
- (**) Term: **15 Years**
- (21) Appl. No.: **29/614,098**
- (22) Filed: **Aug. 16, 2017**
- (51) **LOC (11) Cl.** **08-07**
- (52) **U.S. Cl.**
USPC **D8/331; D8/333; D8/334**
- (58) **Field of Classification Search**
USPC D8/330, 331, 333, 334, 339-341, 343,
D8/349; 70/20, 30, 31, 38 A, 38 R, 51,
70/52, 57.1, 141, 233, 431, 49, 26, 312,
70/23, 22, 315-318
CPC E05B 37/00; E05B 37/02; E05B 37/08;
E05B 69/00; E05B 67/003; E05B 67/06;
E05B 71/00
See application file for complete search history.

- 7,410,854 B2 * 8/2008 Yao H01L 21/28097
257/E21.082
- 7,870,764 B2 * 1/2011 Burmesch E05B 37/025
70/233
- D688,114 S * 8/2013 Stevens D8/334
- D724,932 S * 3/2015 Stevens D8/333
- D787,300 S * 5/2017 Ocklenburg D8/331
- 9,713,394 B1 * 7/2017 Bruegmann A47F 1/126
- 9,931,590 B2 * 4/2018 Gavin F16L 13/10

* cited by examiner

Primary Examiner — Elizabeth J Oswecki

(74) *Attorney, Agent, or Firm* — Botkin Hall, LLP

(57) **CLAIM**

The ornamental design for a twist lock, as shown and described.

DESCRIPTION

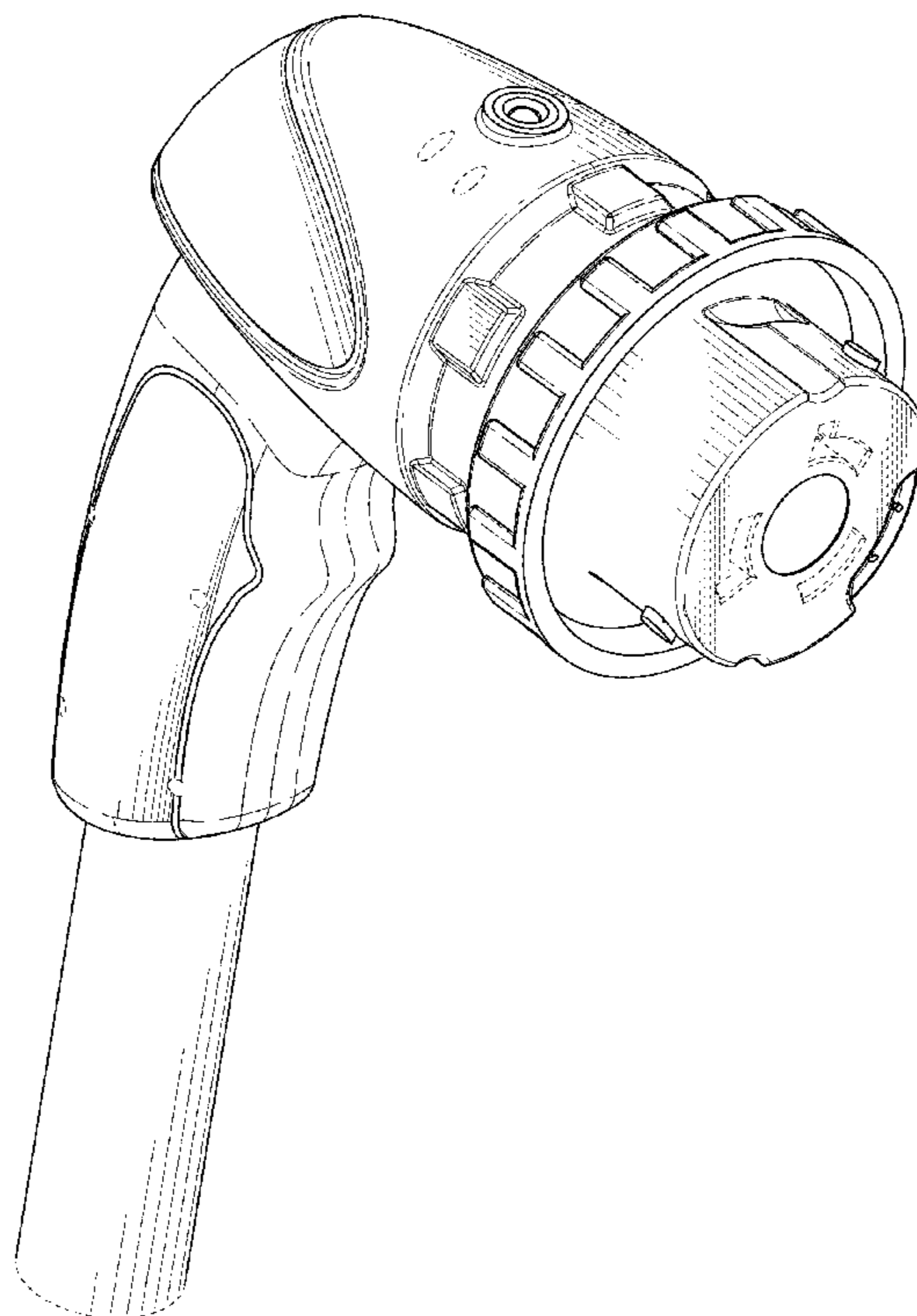
FIG. 1 is an isometric view of a twist lock showing my new design;
 FIG. 2 is a right side view thereof, the left side view being a mirror image;
 FIG. 3 is a top view thereof;
 FIG. 4 is a bottom view thereof;
 FIG. 5 is a rear view thereof; and,
 FIG. 6 is a front view thereof.
 The broken lines depict portions of the twist lock that form no part of the claimed design.

1 Claim, 6 Drawing Sheets

(56) **References Cited**

U.S. PATENT DOCUMENTS

- 5,749,251 A * 5/1998 Keefe A63C 11/007
211/70.5
- 7,140,210 B2 * 11/2006 Cheng E05B 73/0005
70/58



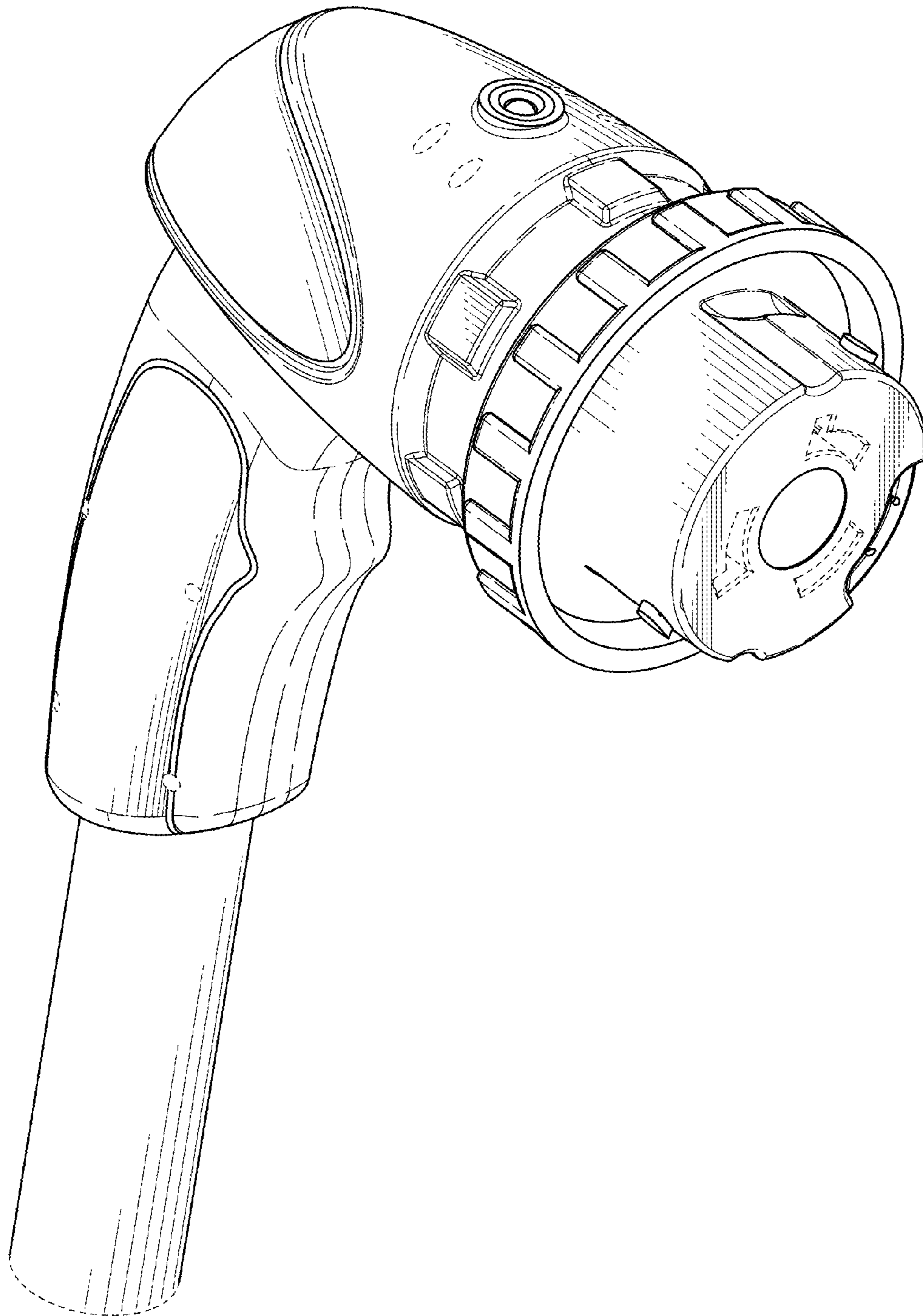


FIG. 1

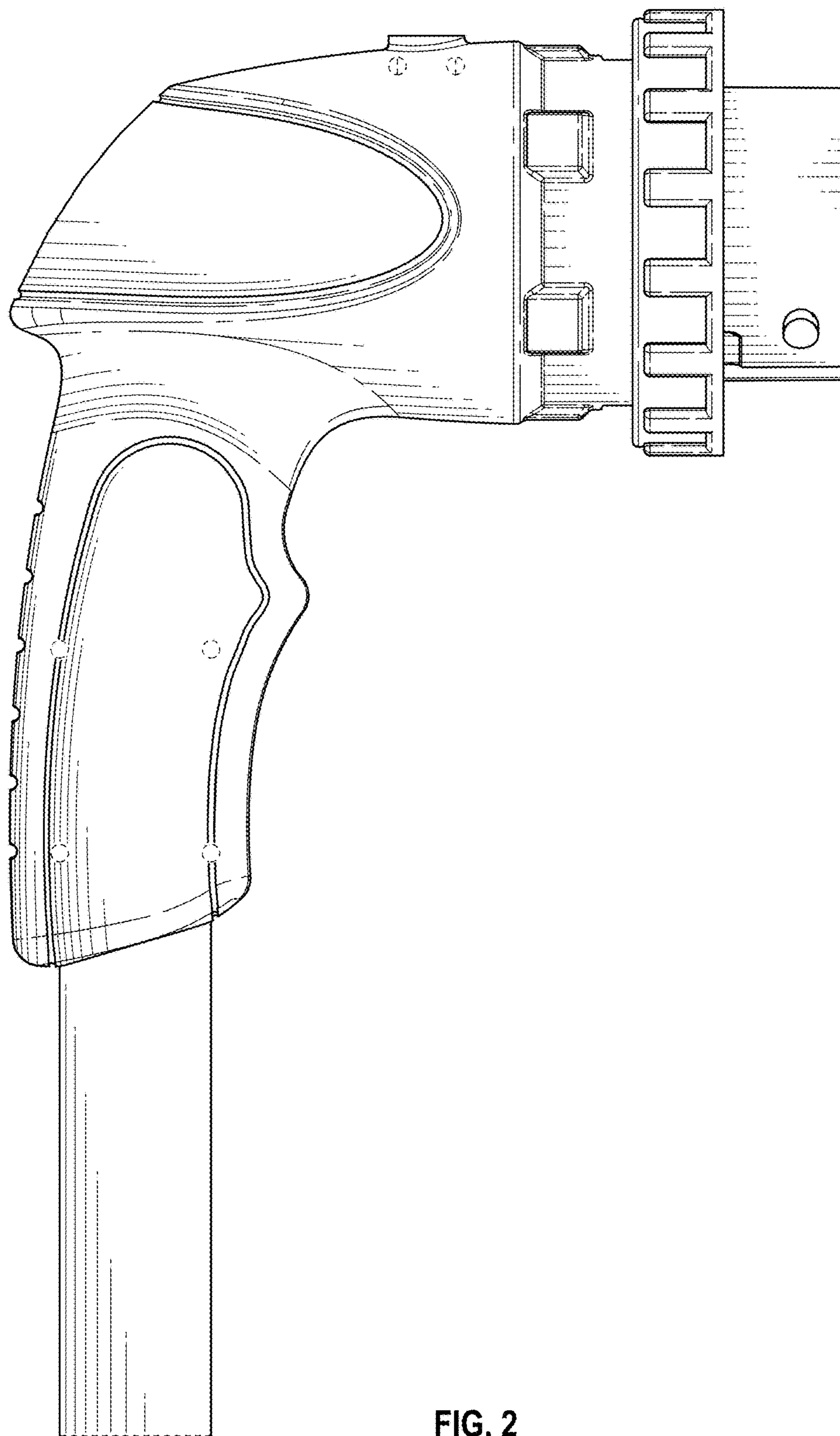


FIG. 2

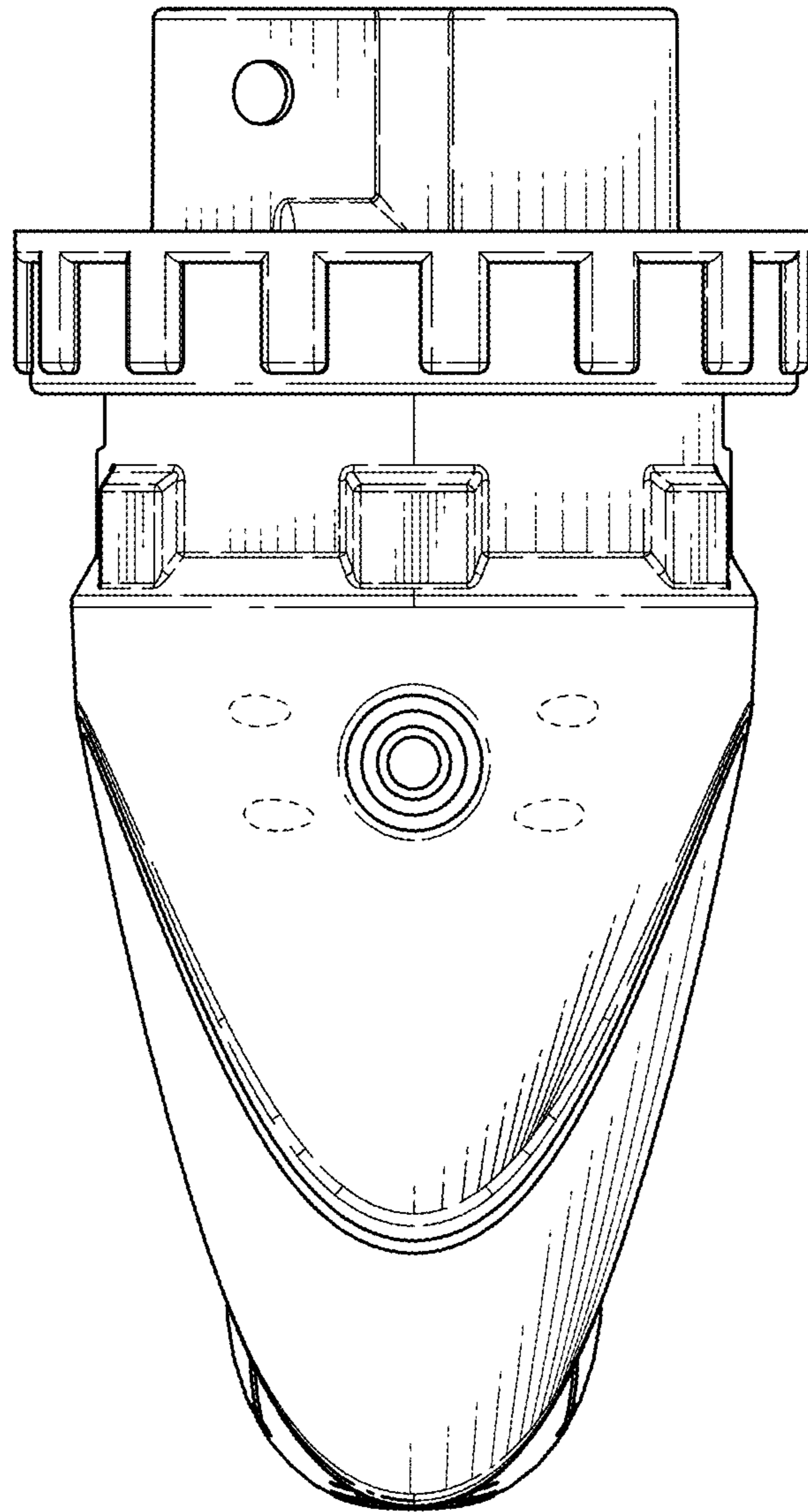


FIG. 3

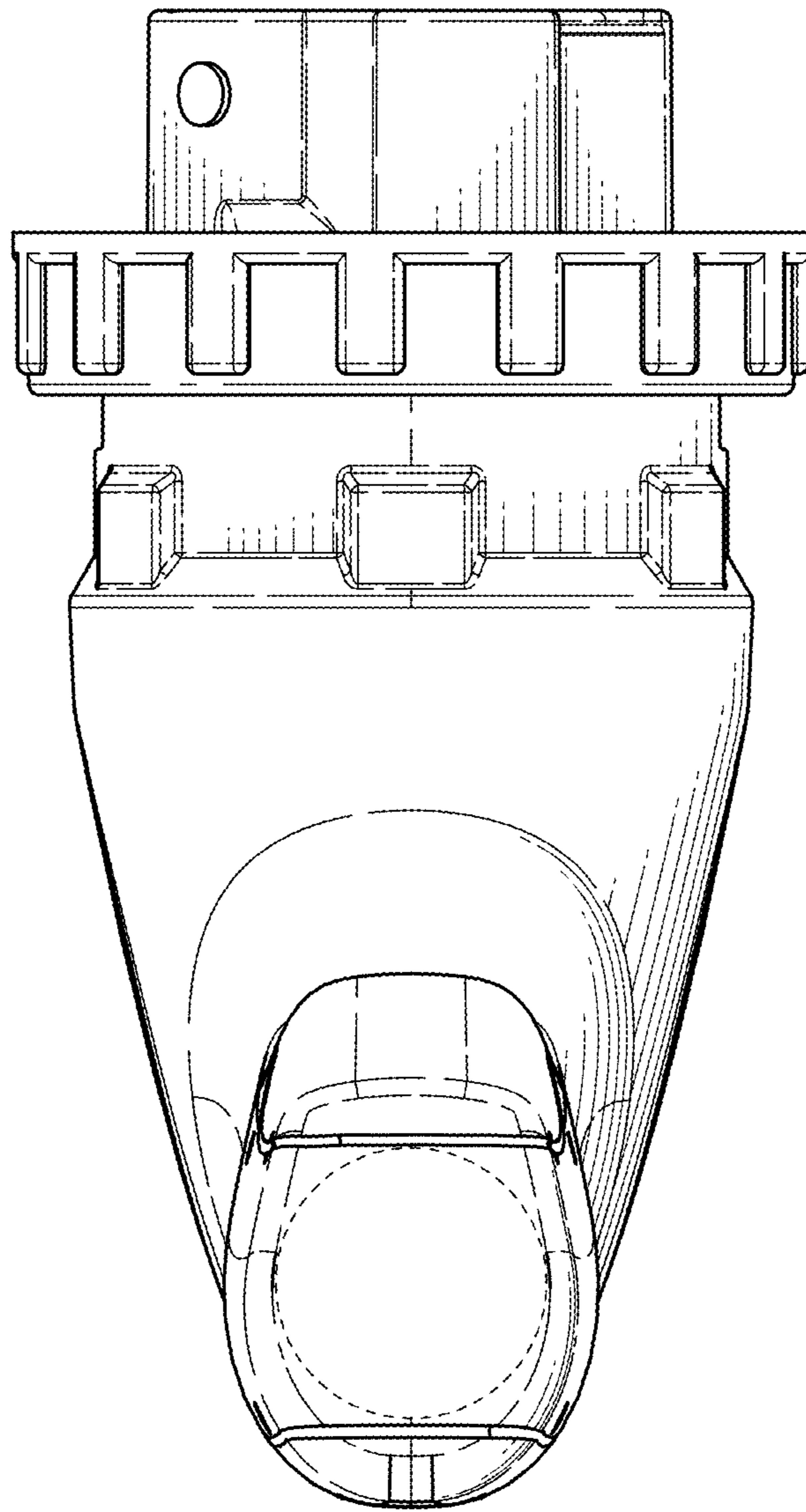


FIG. 4

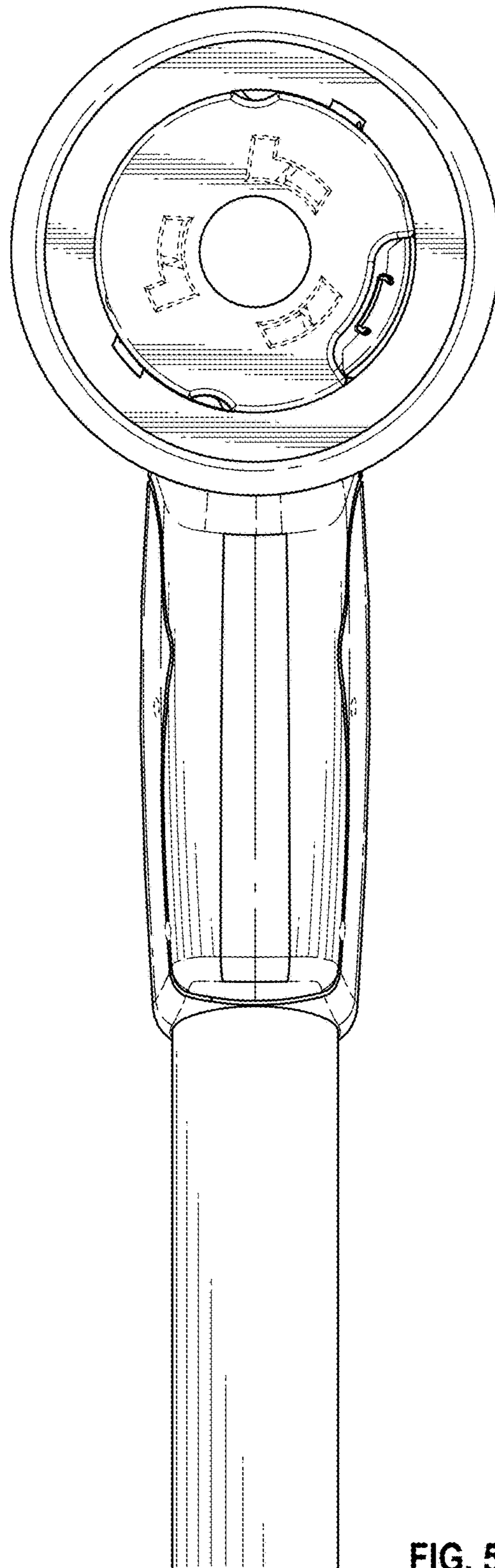


FIG. 5

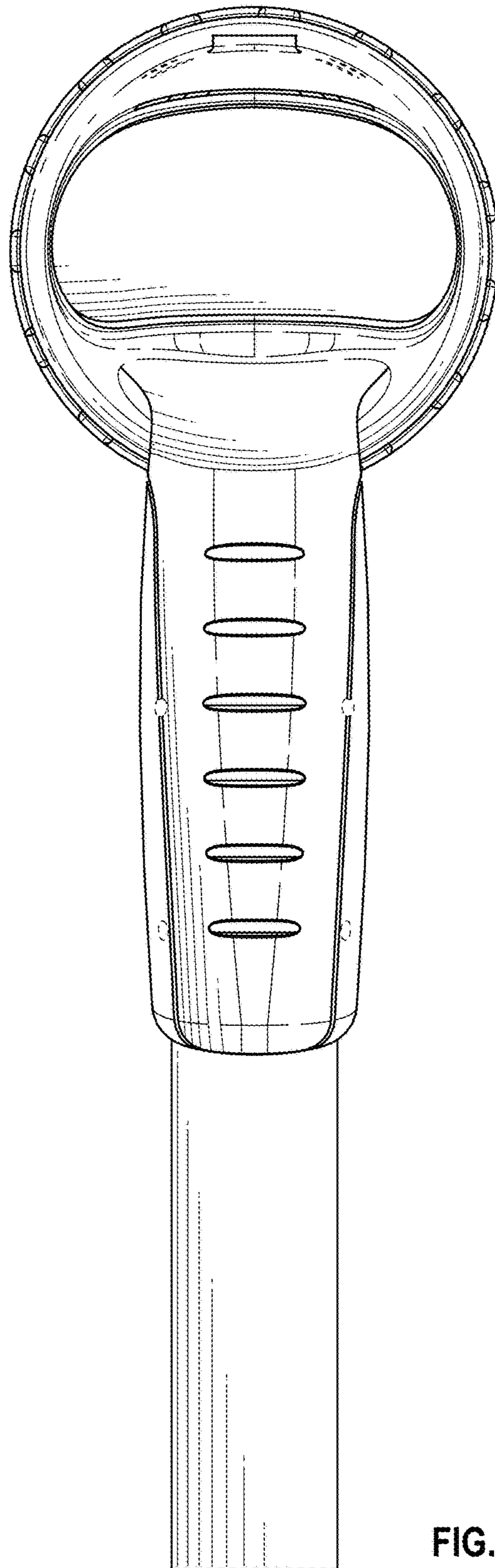


FIG. 6