



US00D837034S

(12) **United States Design Patent**
Huang et al.

(10) **Patent No.:** **US D837,034 S**

(45) **Date of Patent:** **** Jan. 1, 2019**

(54) **LOCK, KEY AND CATCH SET**

(56) **References Cited**

(71) Applicant: **MAYAPPLE BABY LLC**, Brooklyn, NY (US)

U.S. PATENT DOCUMENTS

(72) Inventors: **Jianying Huang**, Brooklyn, NY (US);
Chris Hazzard, Brooklyn, NY (US);
Mingbo Zhang, Brooklyn, NY (US)

D261,858 S *	11/1981	Lassiter	D8/331
4,758,015 A *	7/1988	Pixley	B60D 1/04 280/504
D457,113 S *	5/2002	Zapushek	D12/162
D494,840 S *	8/2004	Senn	D8/343
D495,236 S *	8/2004	Gurzenda	D8/343
D587,558 S *	3/2009	Sarnowski	D8/301
D662,392 S *	6/2012	Main	D8/330
D667,286 S *	9/2012	Wu	D8/330

(73) Assignee: **Mayapple Baby LLC**, Brooklyn, NY (US)

* cited by examiner

(**) Term: **15 Years**

Primary Examiner — R. Johnson

(21) Appl. No.: **29/607,796**

(74) *Attorney, Agent, or Firm* — Winston & Strawn LLP

(22) Filed: **Jun. 16, 2017**

(57) **CLAIM**

(51) **LOC (11) Cl.** **08-07**

The ornamental design for a lock, key and catch set, as shown and described.

(52) **U.S. Cl.**

USPC **D8/331**

DESCRIPTION

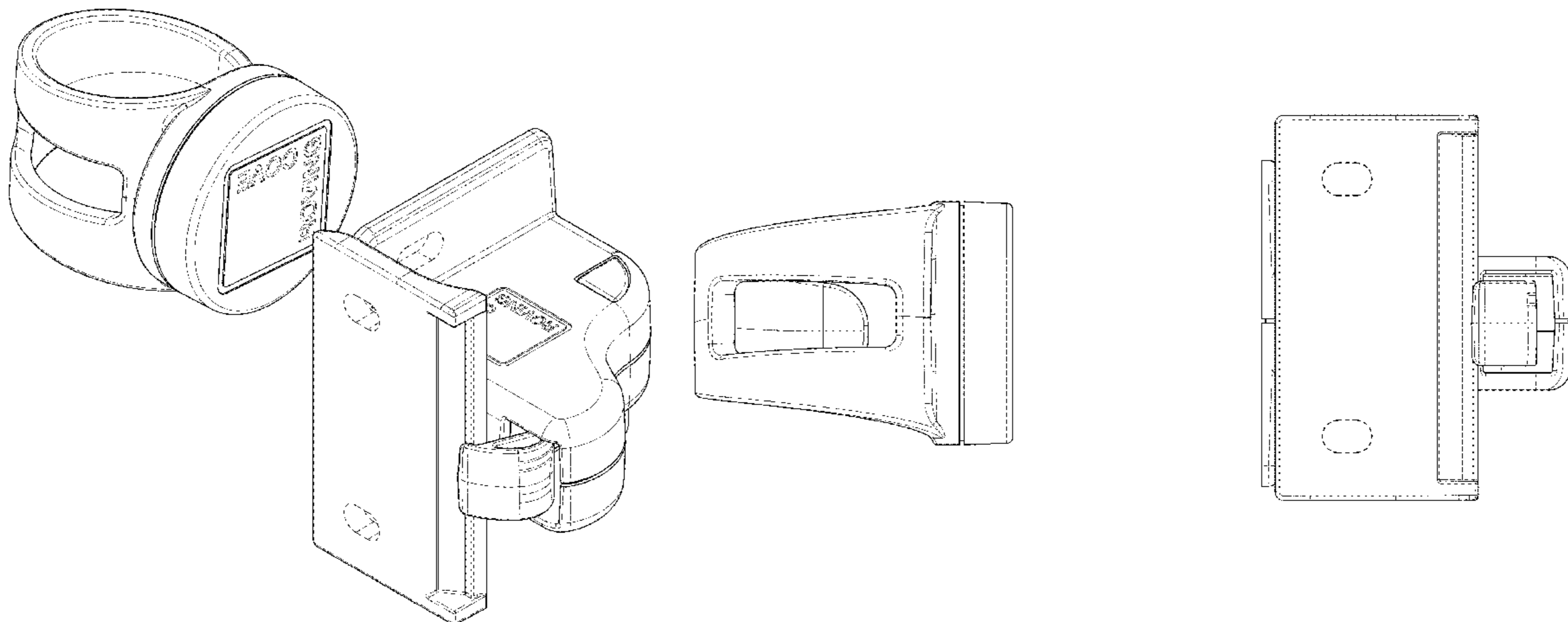
(58) **Field of Classification Search**

USPC D8/330, 331–336, 338, 343, 344, 347;
70/57, 57.1, 14, 20–22, 91, 92, 102, 141,
70/237, 272.2, 278.1, 278.7, 279.1, 416,
70/465, 442, 443, 214, 447, 367;
340/542, 547, 545.1, 545.7; 292/336.3,
292/301–304, 358, 359
CPC . E05B 9/00; E05B 9/08; E05B 13/103; E05B
27/00; E05B 35/00; E05B 37/00; E05B
41/00; E05B 49/00; E05B 51/00; E05B
55/00; E05B 65/00; E05B 65/007; E05B
15/0093

FIG. 1 is a perspective view of a lock, key and catch set according to our new design;
FIG. 2 is a front view thereof;
FIG. 3 is a rear view thereof;
FIG. 4 is a bottom view thereof;
FIG. 5 is a top view thereof;
FIG. 6 is a side view thereof; and,
FIG. 7 is an opposite side view-thereof.
Any elements shown in broken lines form no part of the claimed design.

See application file for complete search history.

1 Claim, 7 Drawing Sheets



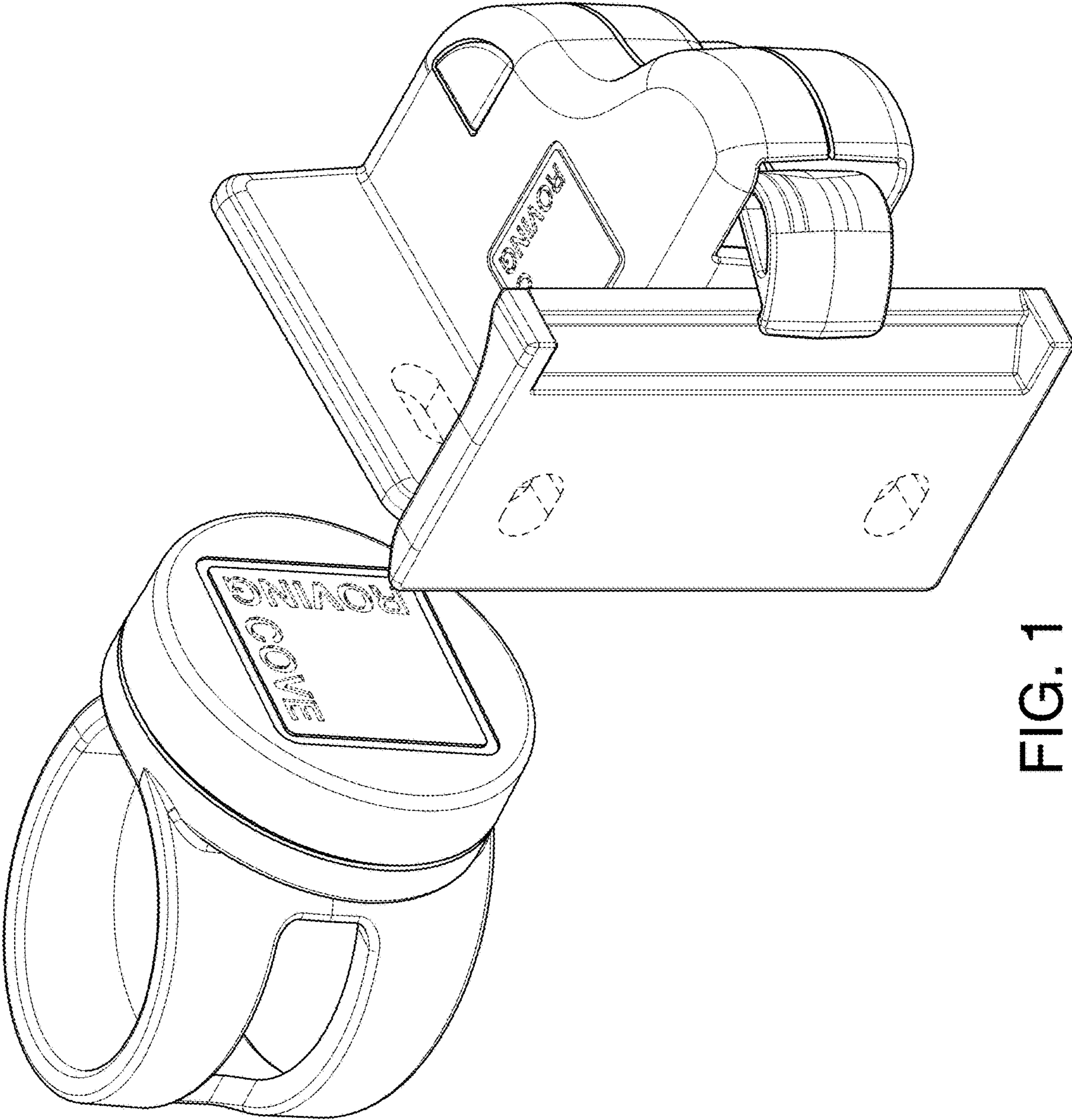


FIG. 1

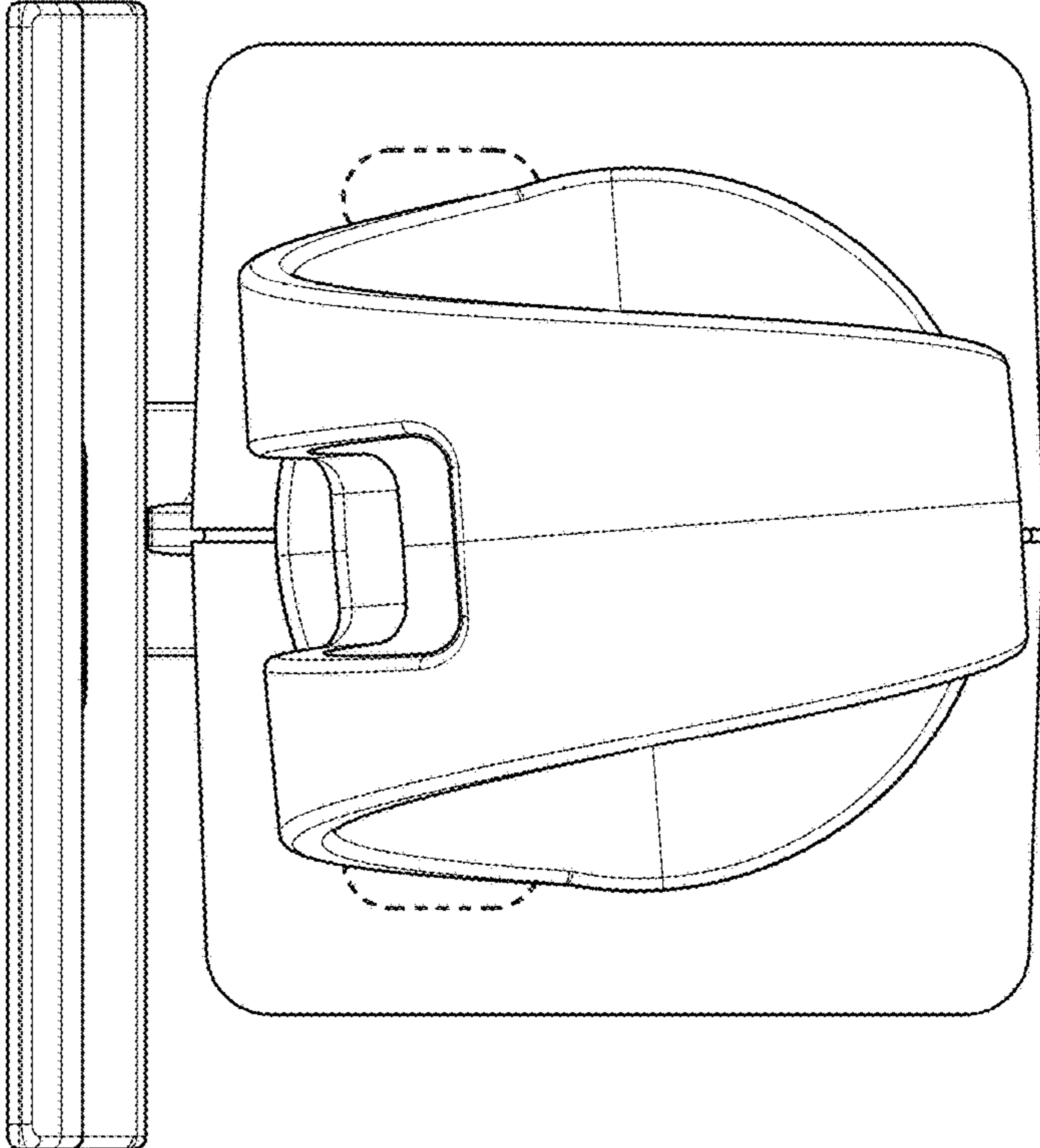


FIG. 2

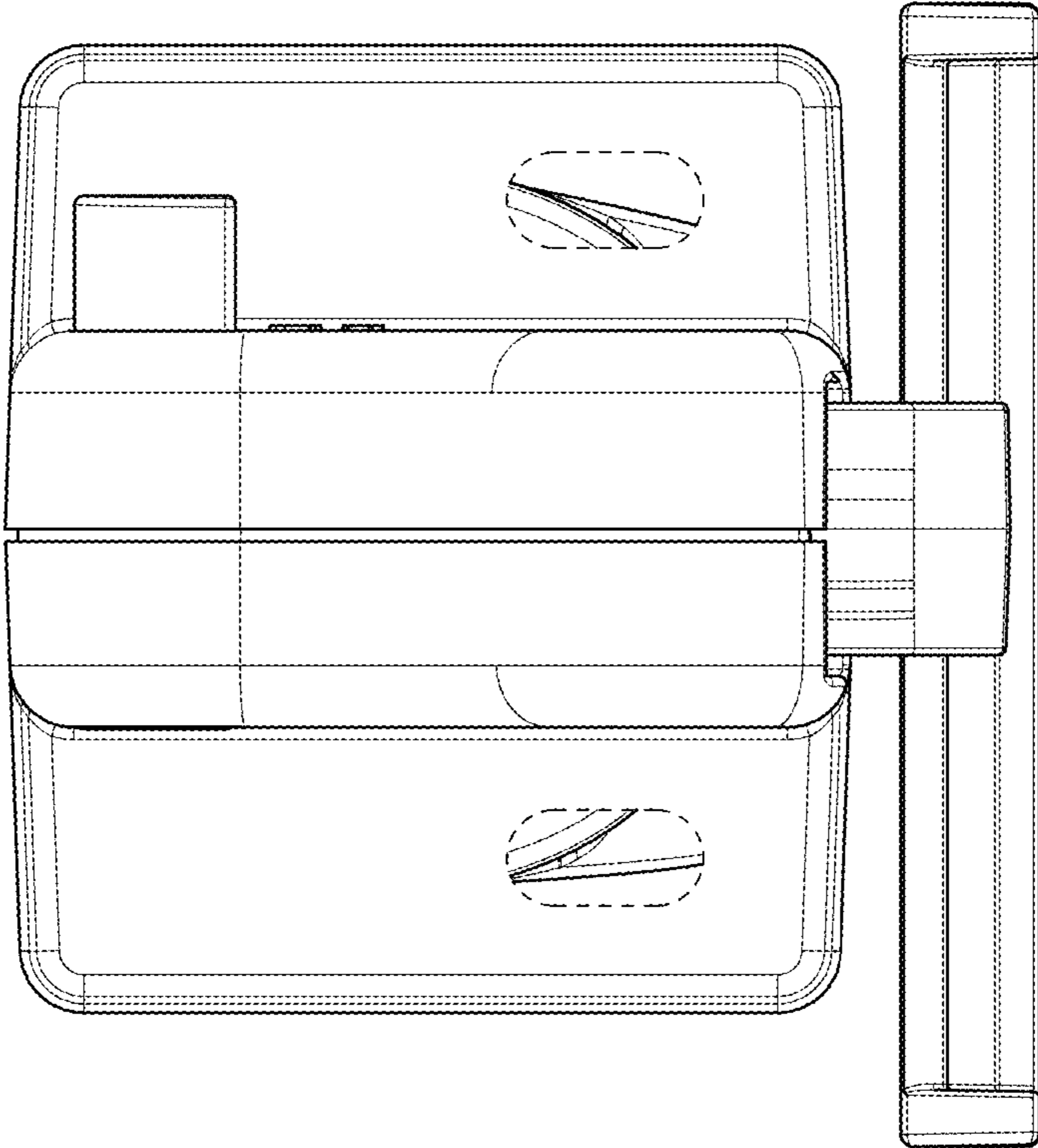


FIG. 3

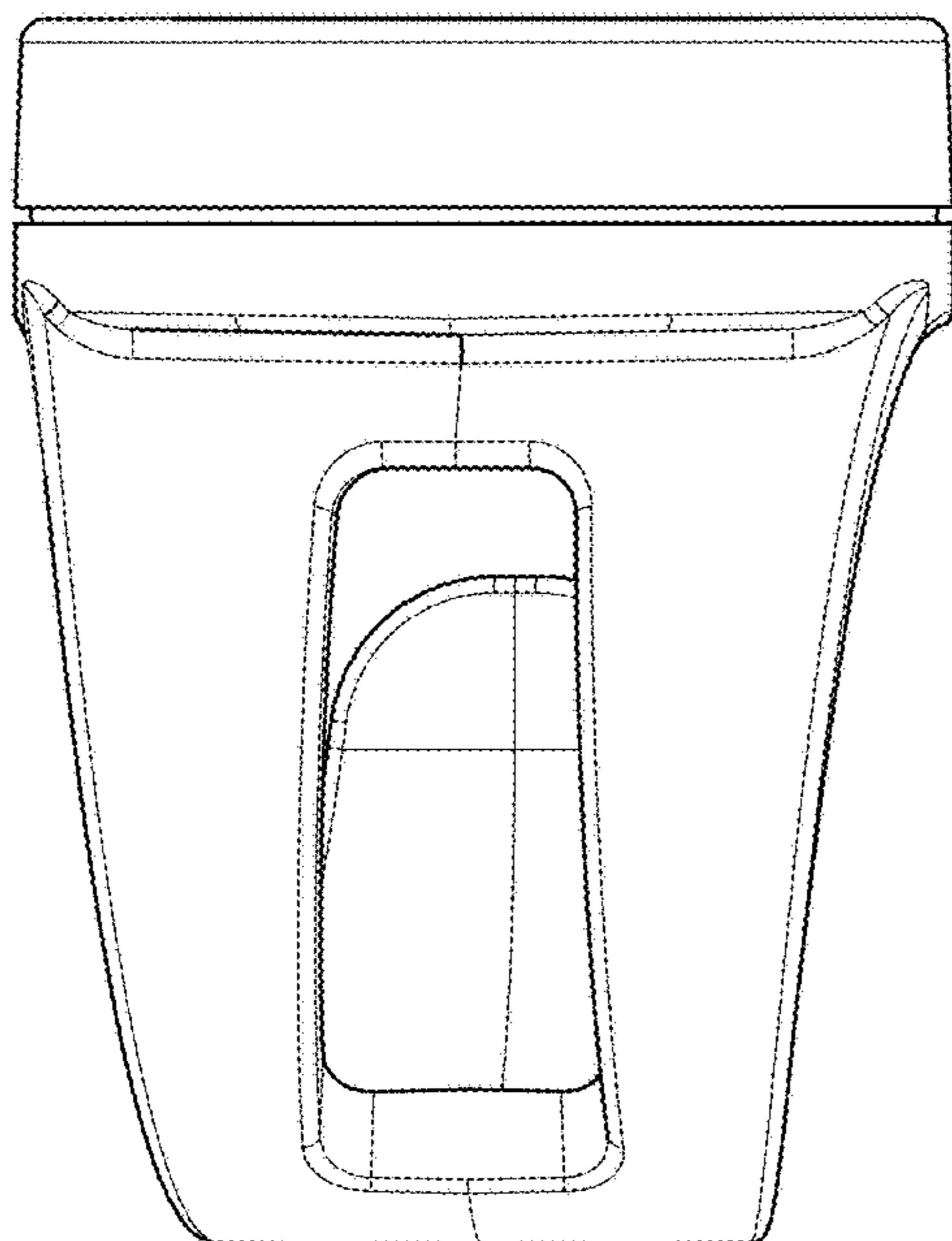
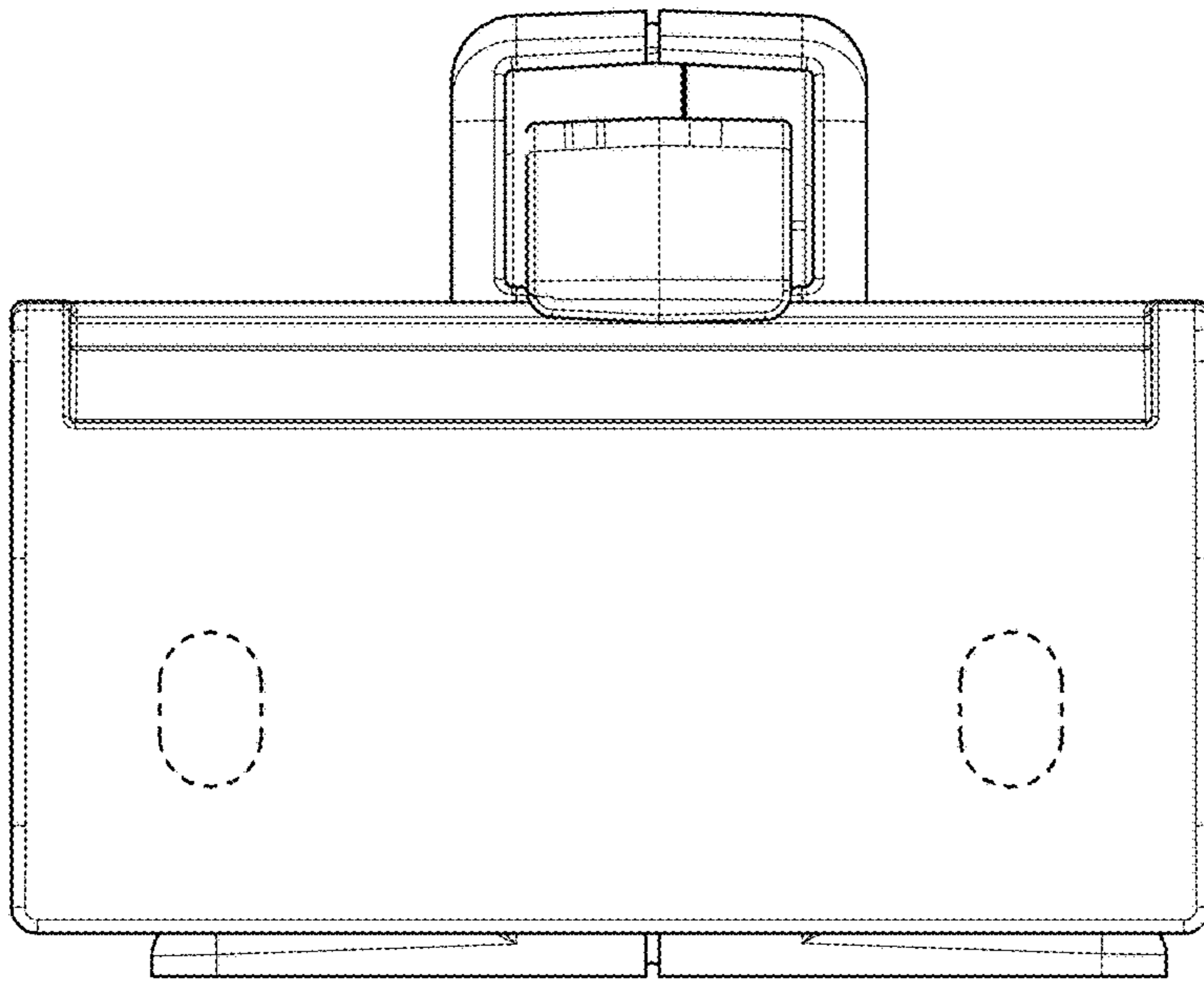


FIG. 4

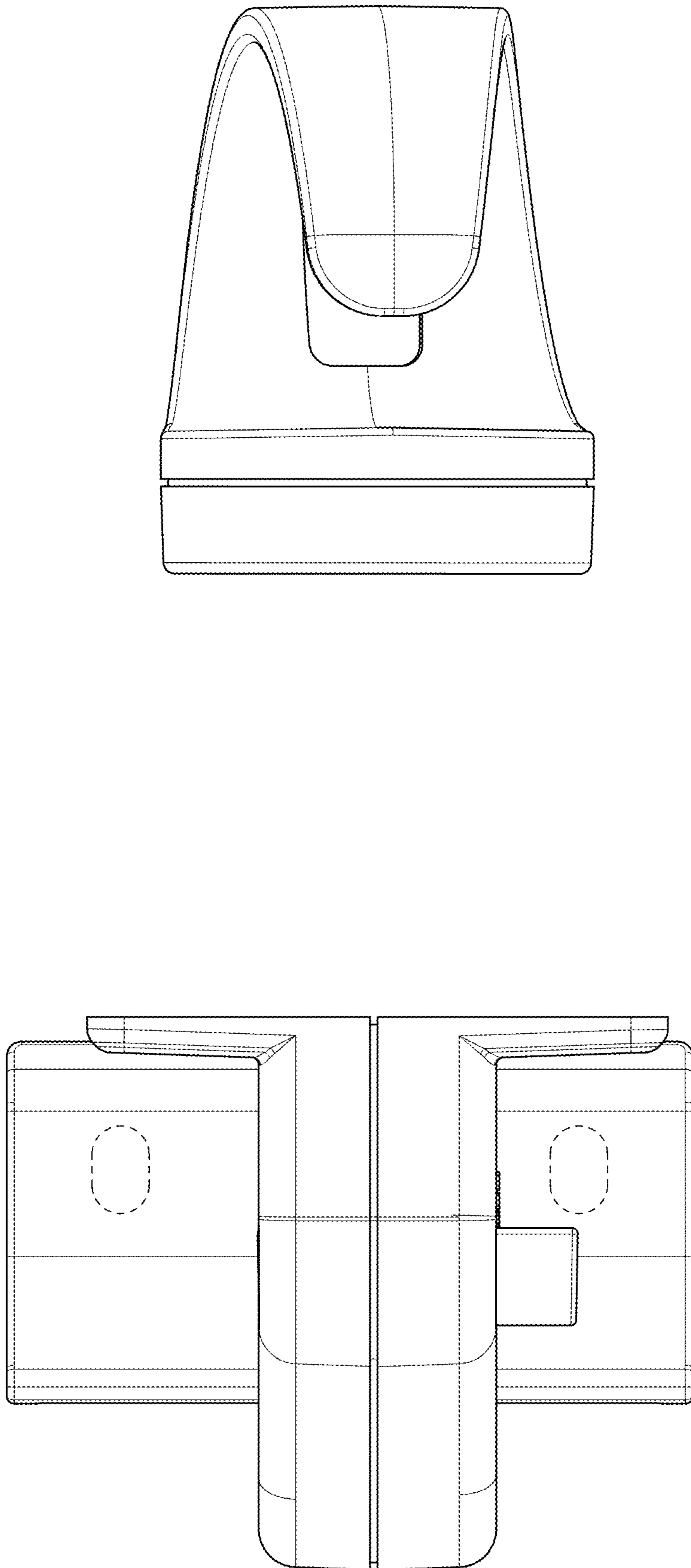


FIG. 5

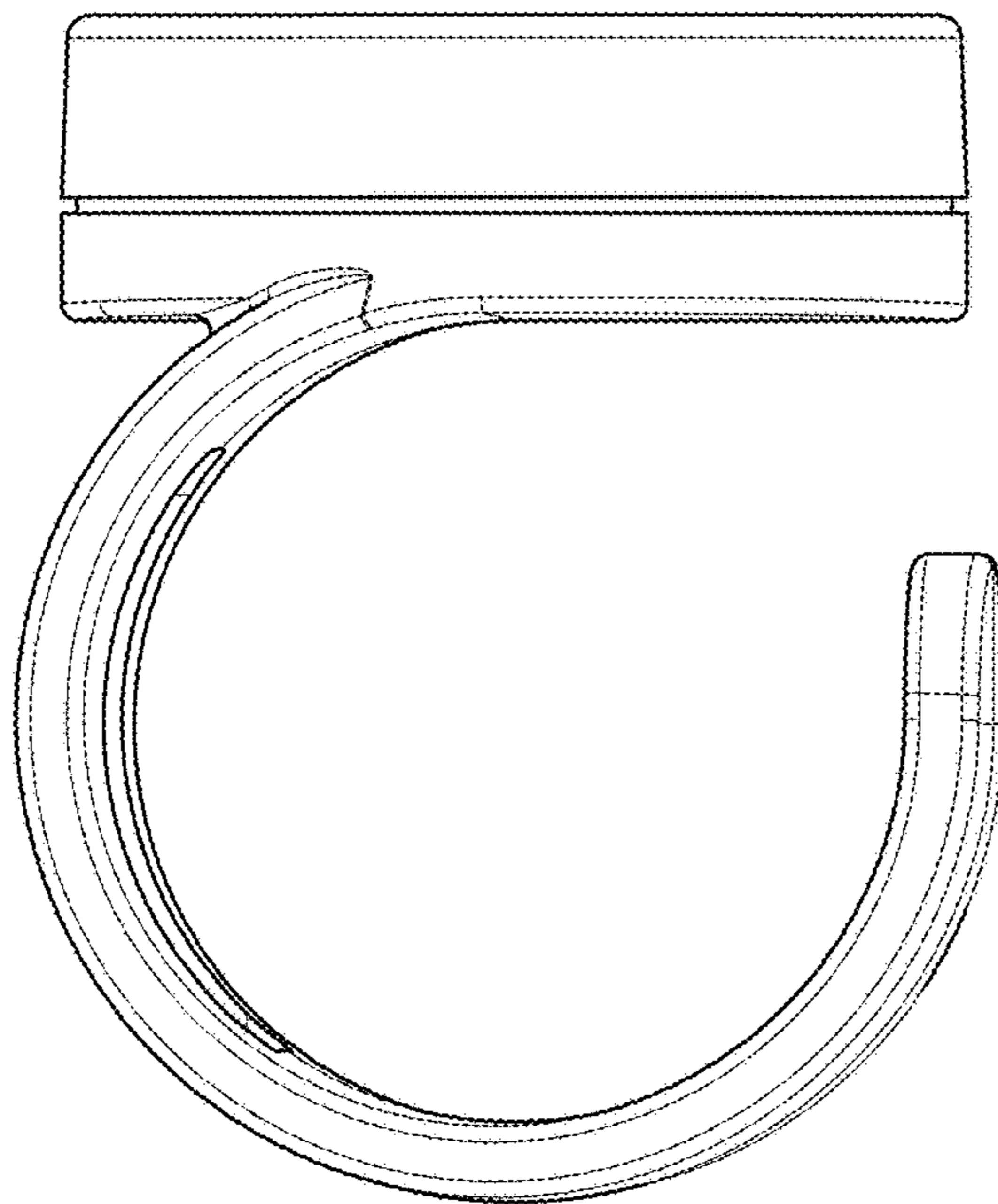
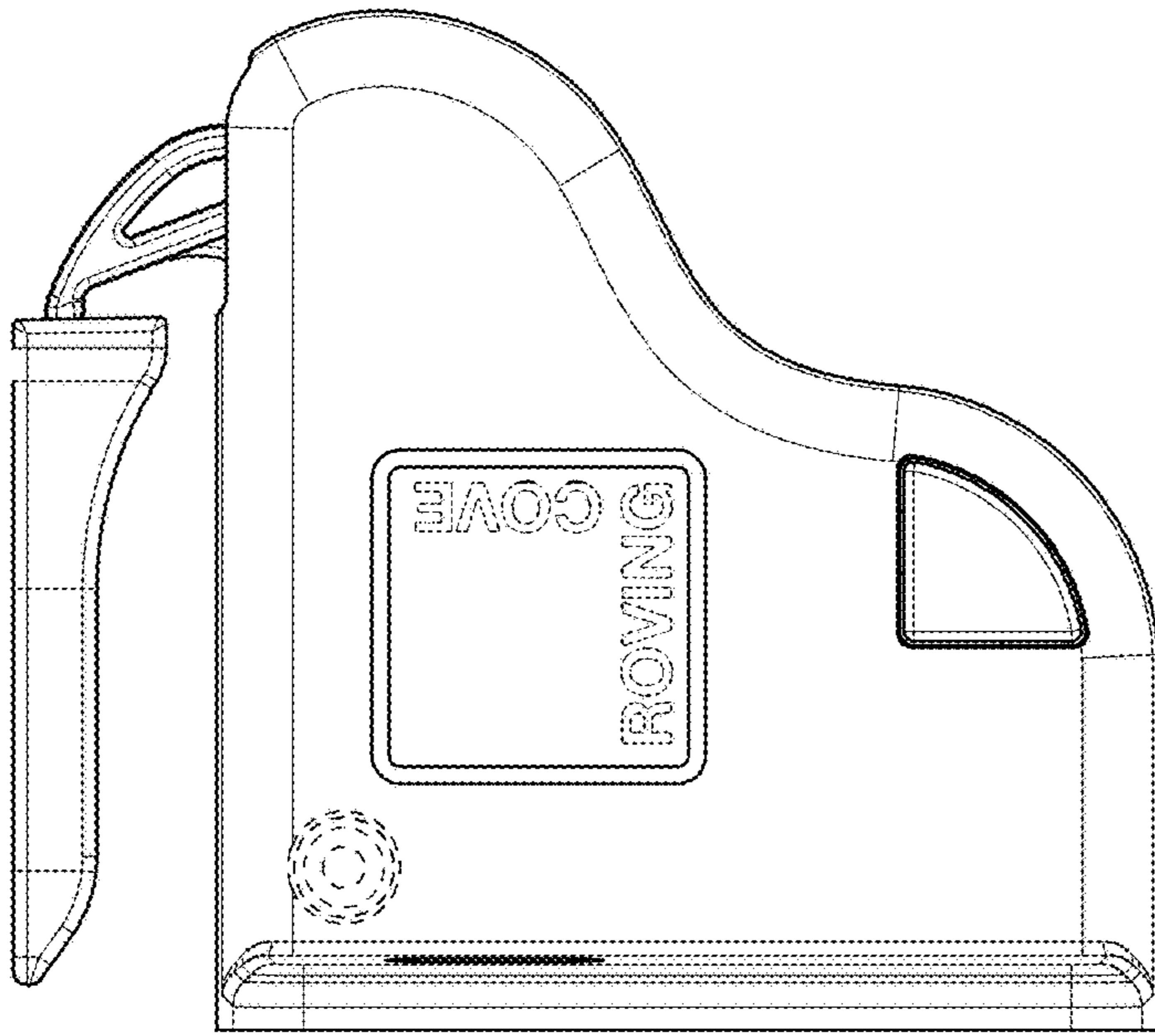


FIG. 6

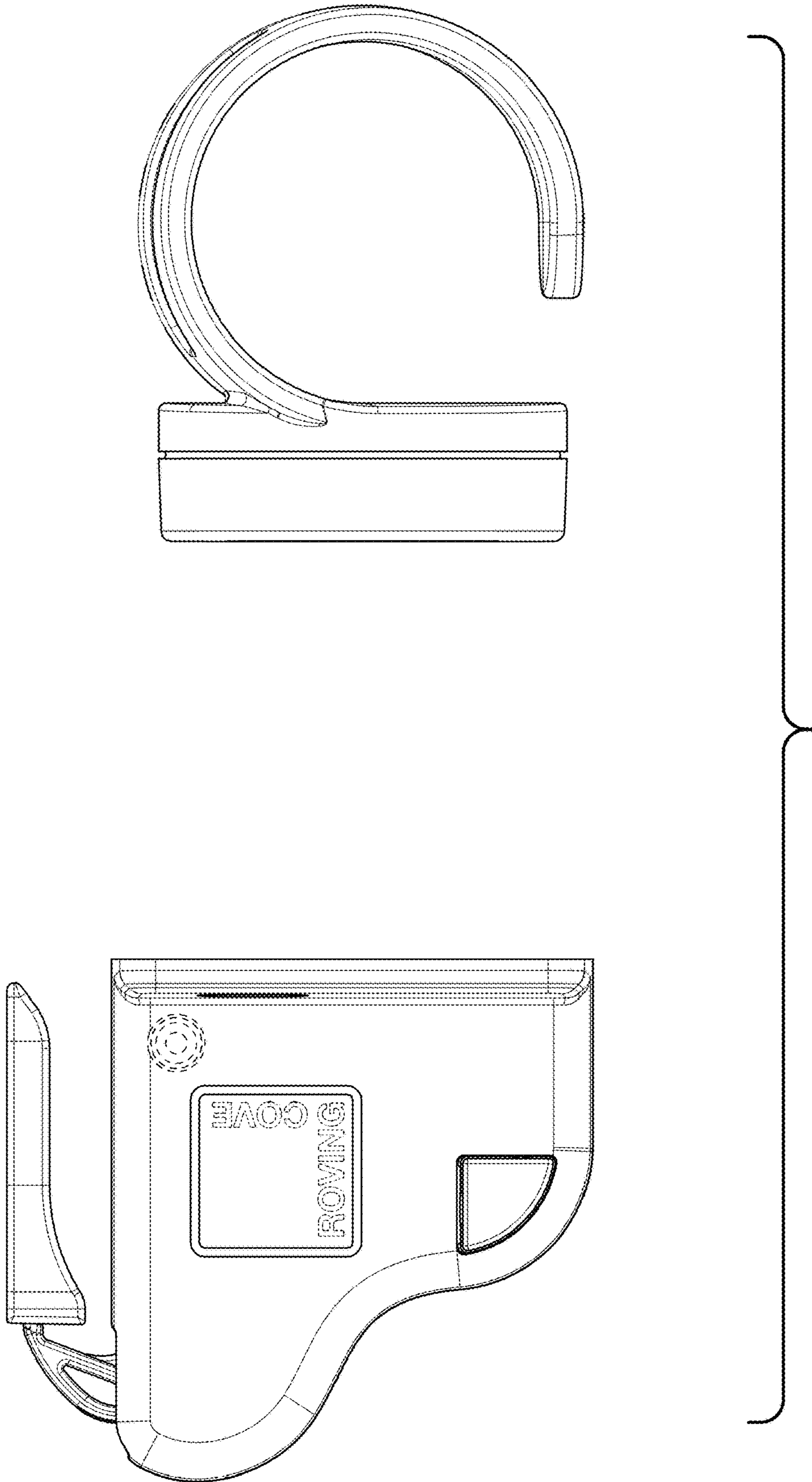


FIG. 7