

US00D837031S

(12) **United States Design Patent**
Cavanna et al.

(10) **Patent No.:** **US D837,031 S**

(45) **Date of Patent:** **** Jan. 1, 2019**

(54) **LOCK**

(71) Applicant: **ZEPHYR LOCK, LLC**, Newtown, CT (US)

(72) Inventors: **Stephen Cavanna**, Branford, CT (US);
Douglas Greene, Bethel, CT (US);
Kevin Houlihan, North Salem, NY (US);
Nicolas Ivanoff, Ansonia, CT (US);
Adam Jonovski, Fullerton, CA (US);
Timothy Marshall, Wolcott, CT (US);
Joseph Moya, Johnstown, OH (US);
Mark Schiller, Fairfield, CT (US);
Douglas Walker, Middlebury, CT (US);
Patrick Wind, Darien, CT (US)

(73) Assignee: **ZEPHYR LOCK, LLC**, Newtown, CT (US)

(**) Term: **15 Years**

(21) Appl. No.: **29/592,613**

(22) Filed: **Jan. 31, 2017**

(51) **LOC (11) Cl.** **08-07**

(52) **U.S. Cl.**
USPC **D8/331; D8/330**

(58) **Field of Classification Search**
USPC D8/301, 302, 330, 331, 349, 400, 499;
70/57, 57.1, 14, 20, 91, 92, 102, 141,
70/237, 262, 263, 266, 278.1, 279.1, 416,
70/465, 442, 443, 214, 78, 447; 340/5.6,
340/5.61, 5.64, 5.73, 286.01, 542, 547,
340/545.1, 545.7; 292/336.3, 257, 194,
292/195, 198, 164, 165
CPC E05B 49/00; E05B 41/00; E05B 65/52;
E05B 51/00; E06B 65/00; B65D 55/07

See application file for complete search history.

(56) **References Cited**

U.S. PATENT DOCUMENTS

4,899,562 A *	2/1990	Gartner	G07C 9/0069
				70/277
D353,953 S *	1/1995	Keller	D6/393
D576,016 S *	9/2008	Min	D8/330
7,482,907 B2 *	1/2009	Denison	B60R 25/102
				340/5.1
7,721,576 B2 *	5/2010	Amir	E05B 47/0012
				292/142
D686,056 S *	7/2013	Li	D8/331
D731,286 S *	6/2015	Gokcebay	D8/330
D737,661 S *	9/2015	Chan	D8/330
9,222,283 B1 *	12/2015	Zhang	E05B 9/086

(Continued)

Primary Examiner — Elizabeth J Oswecki

(74) *Attorney, Agent, or Firm* — Cantor Colburn LLP

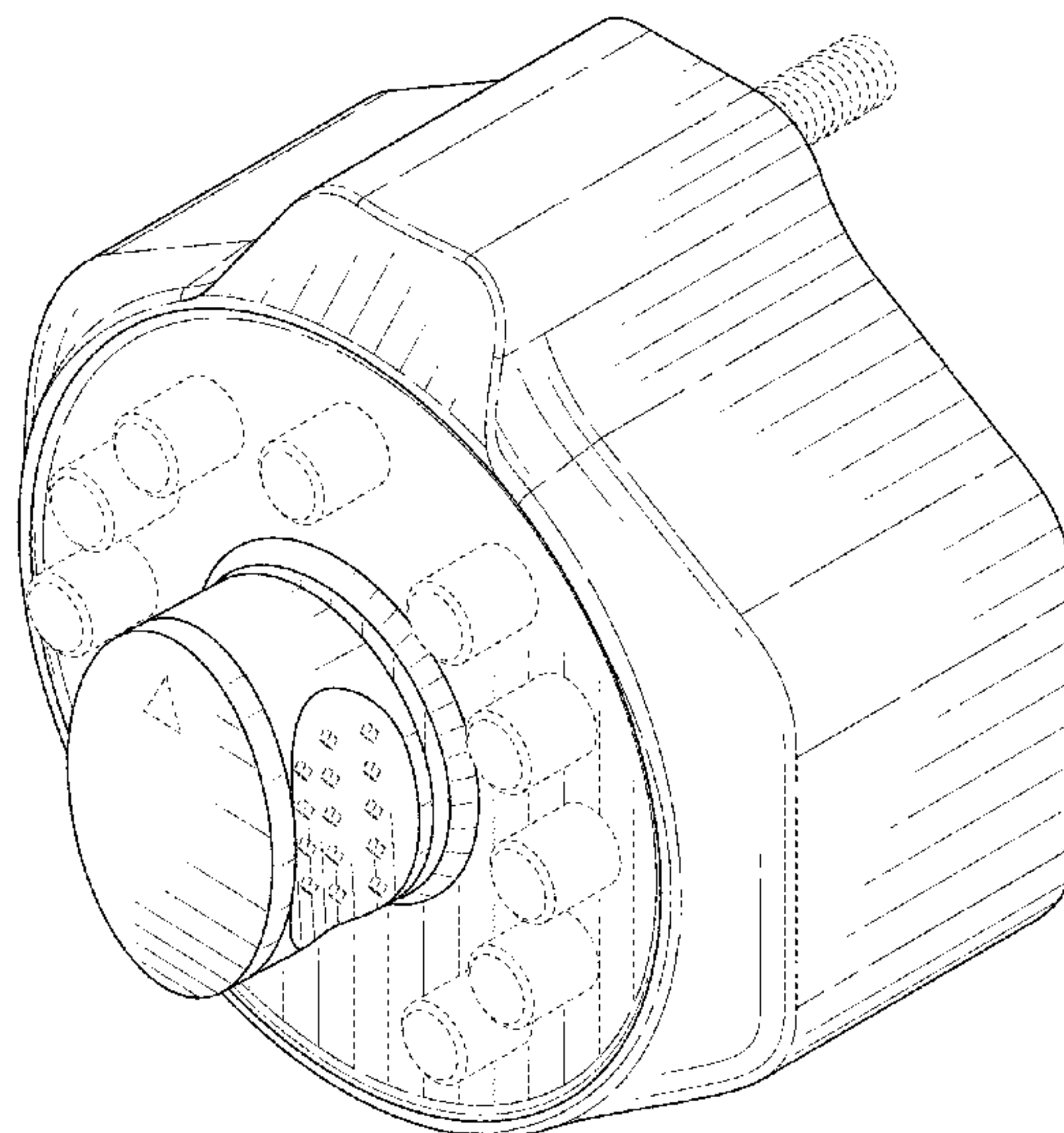
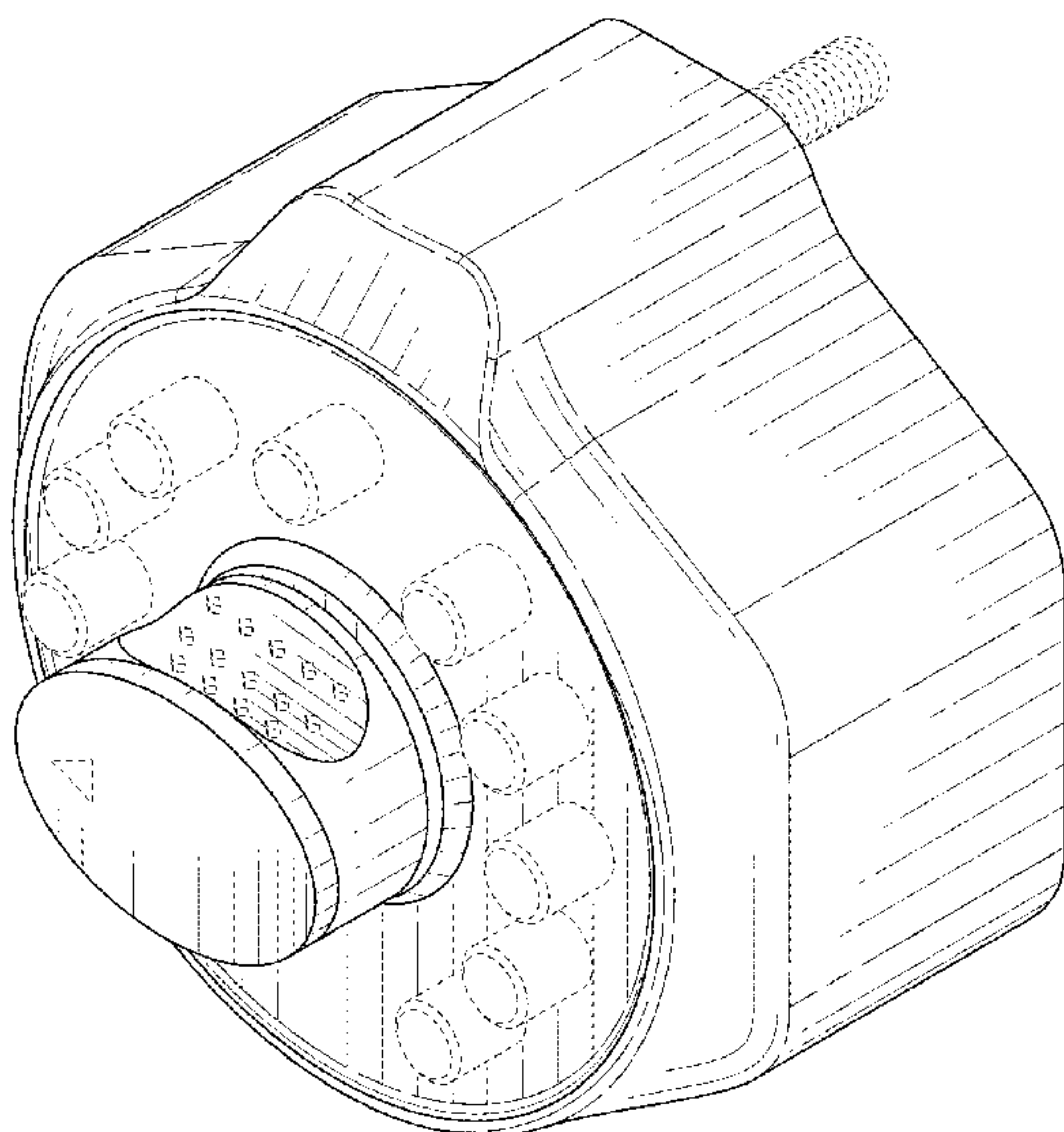
(57) **CLAIM**

The ornamental design for a lock, as shown and described.

DESCRIPTION

FIG. 1 is a perspective view of a first embodiment of a lock, showing our new design;
FIG. 2 is a front view thereof;
FIG. 3 is a rear view thereof;
FIG. 4 is a side view thereof;
FIG. 5 is another side view thereof;
FIG. 6 is a top view thereof;
FIG. 7 is a bottom view thereof;
FIG. 8 is a perspective view of a second embodiment of a lock, showing our new design;
FIG. 9 is front view thereof;
FIG. 10 is a rear view thereof;
FIG. 11 is a side view thereof;
FIG. 12 is another side view thereof;
FIG. 13 is a top view thereof; and,
FIG. 14 is a bottom view thereof.
The broken lines in the figures are for environmental purposes only and form no part of the claimed design.

1 Claim, 8 Drawing Sheets



(56)

References Cited

U.S. PATENT DOCUMENTS

D749,932 S * 2/2016 Hollman D8/330
D752,945 S * 4/2016 Gokcebay D8/330
9,536,359 B1 * 1/2017 Gokcebay E05B 47/06
D804,278 S * 12/2017 Gokcebay D8/331

* cited by examiner

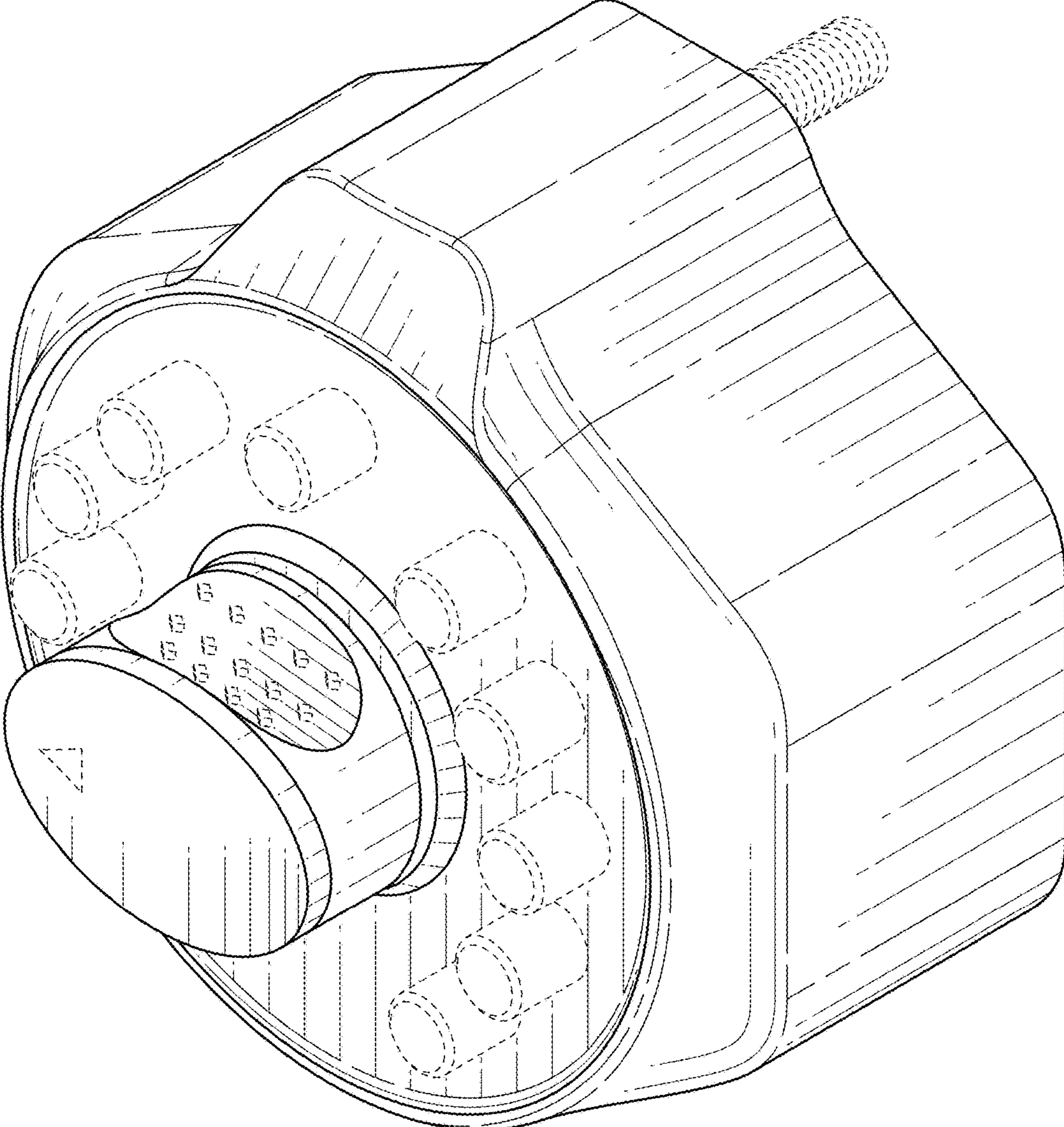


FIG. 1

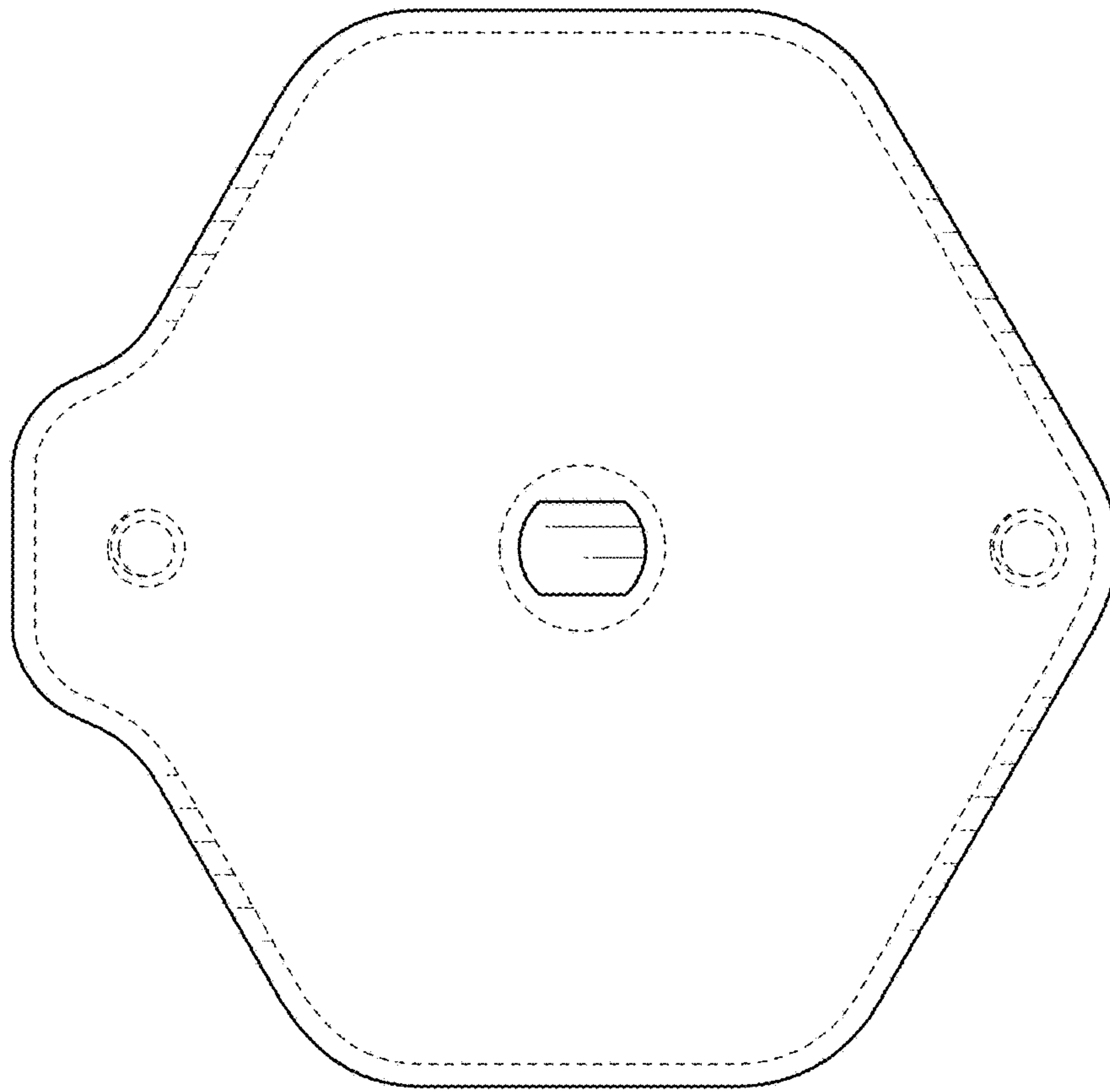


FIG. 3

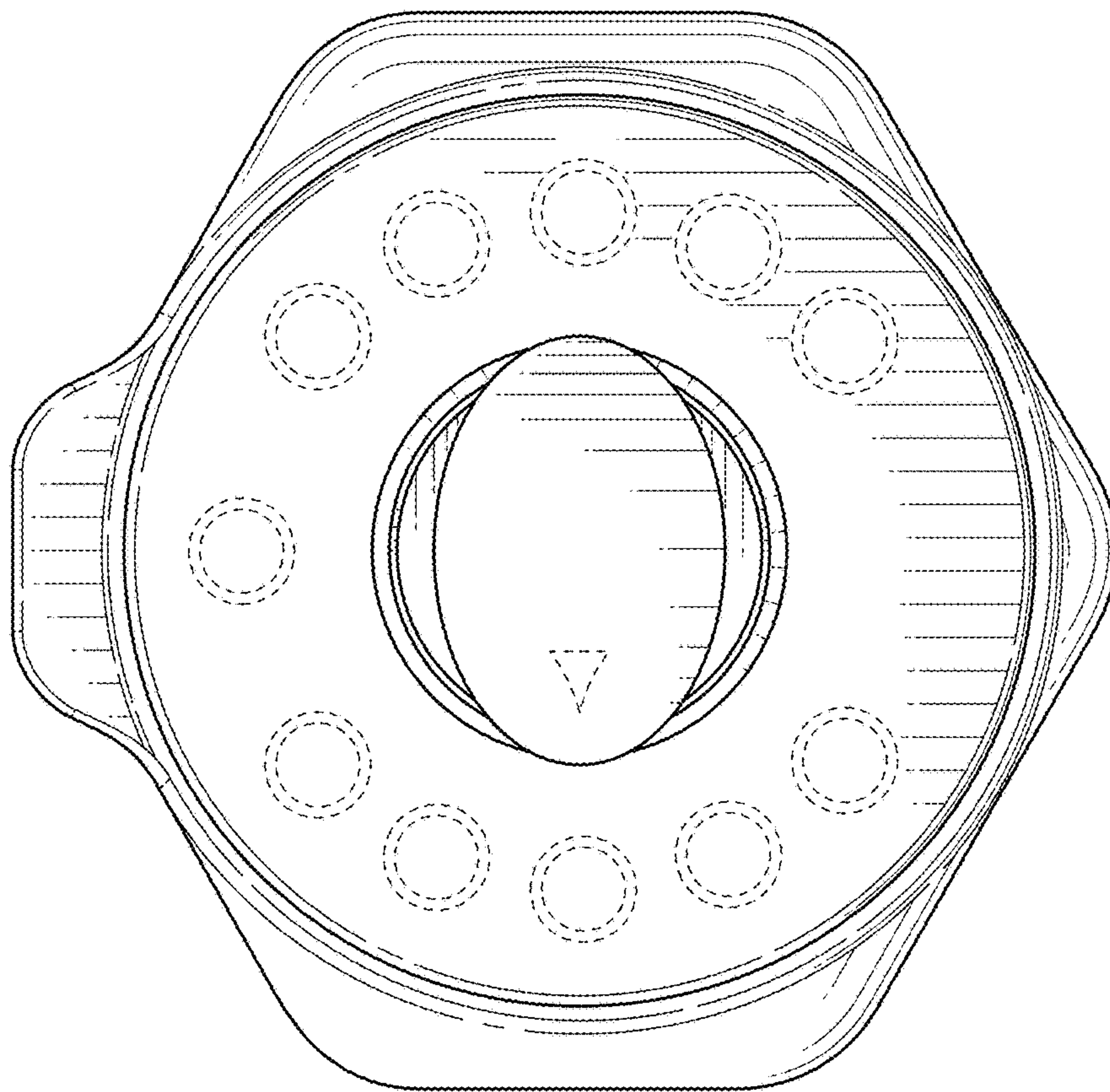


FIG. 2

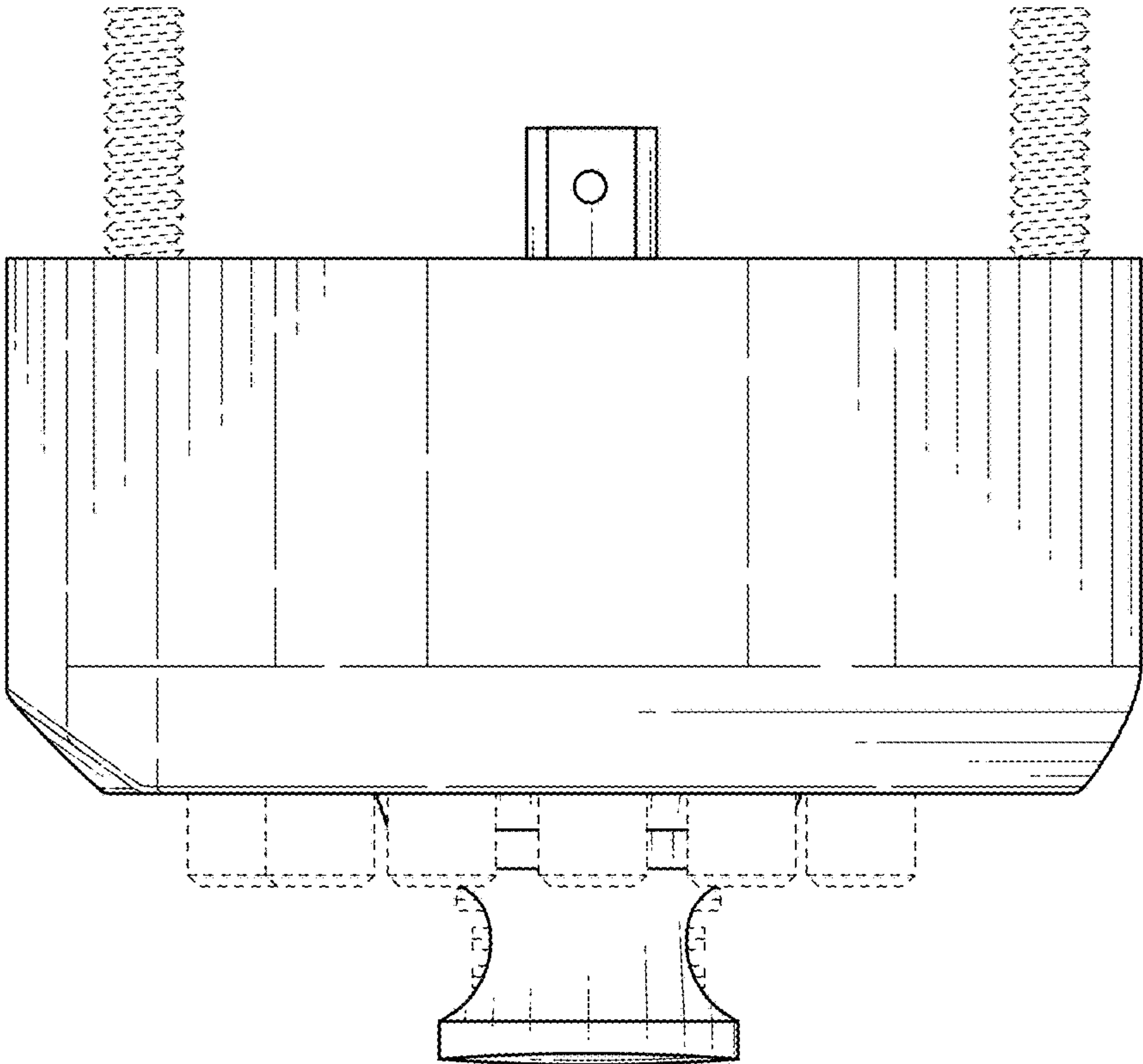


FIG. 5

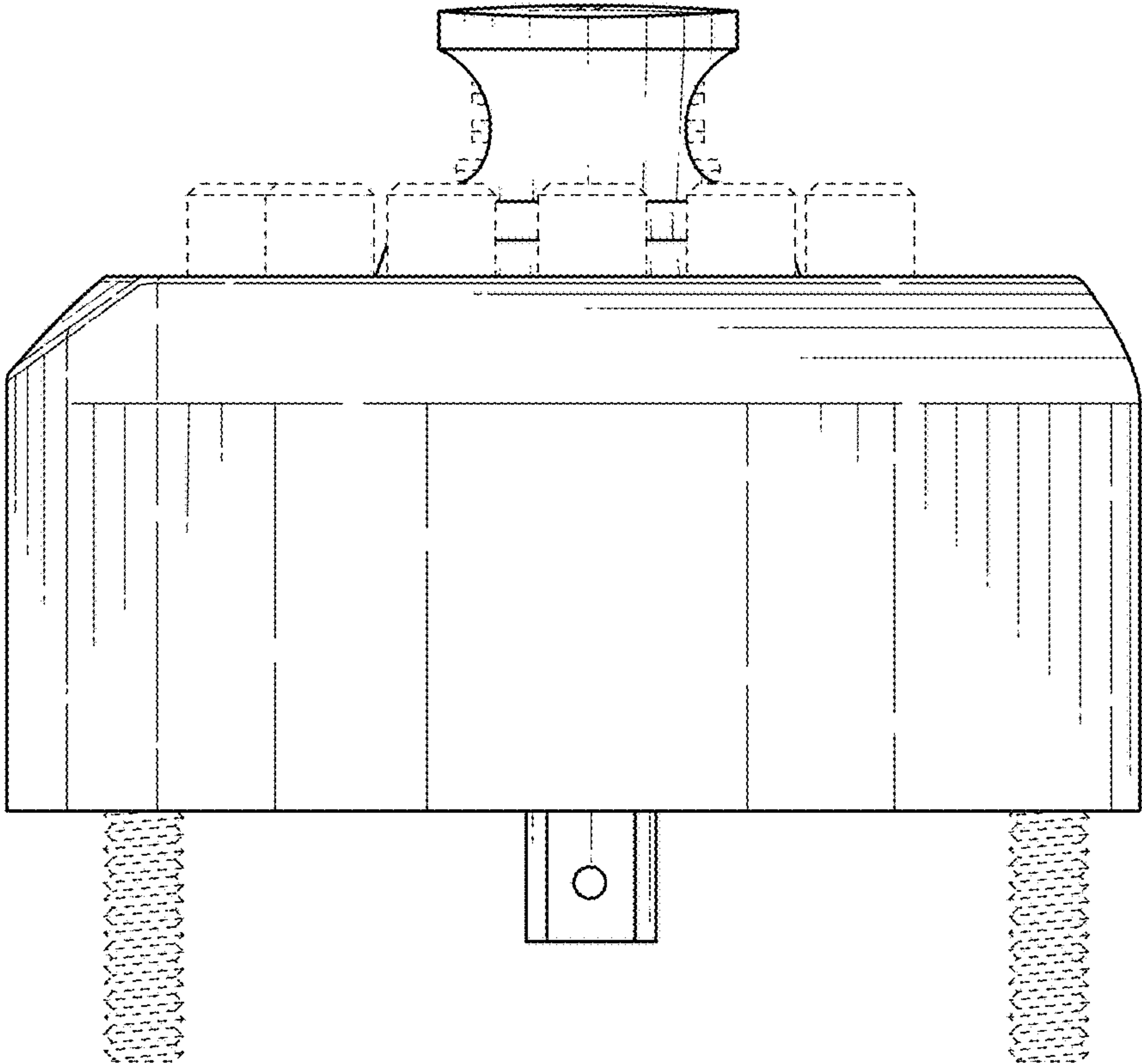


FIG. 4

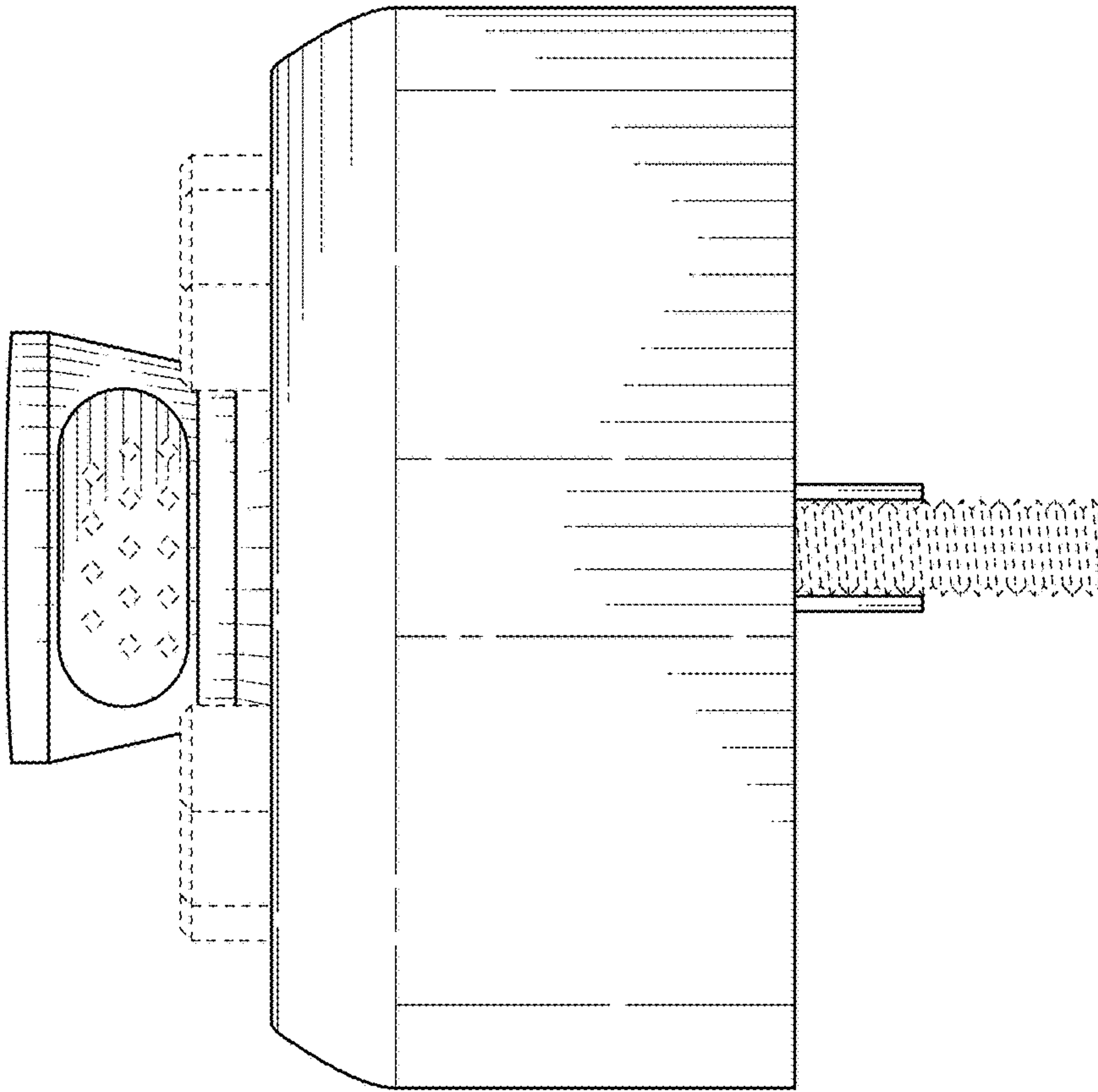


FIG. 7

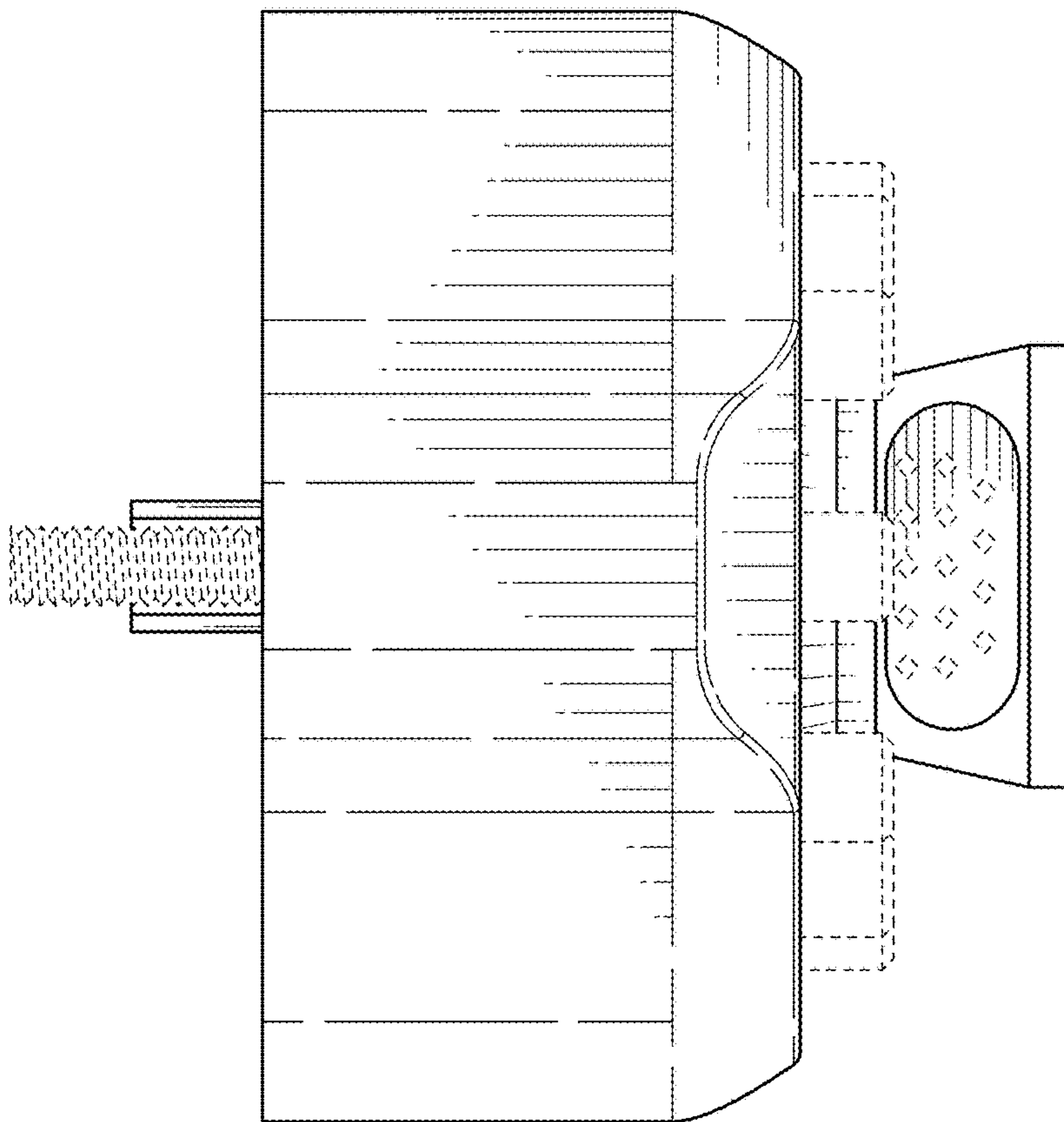


FIG. 6

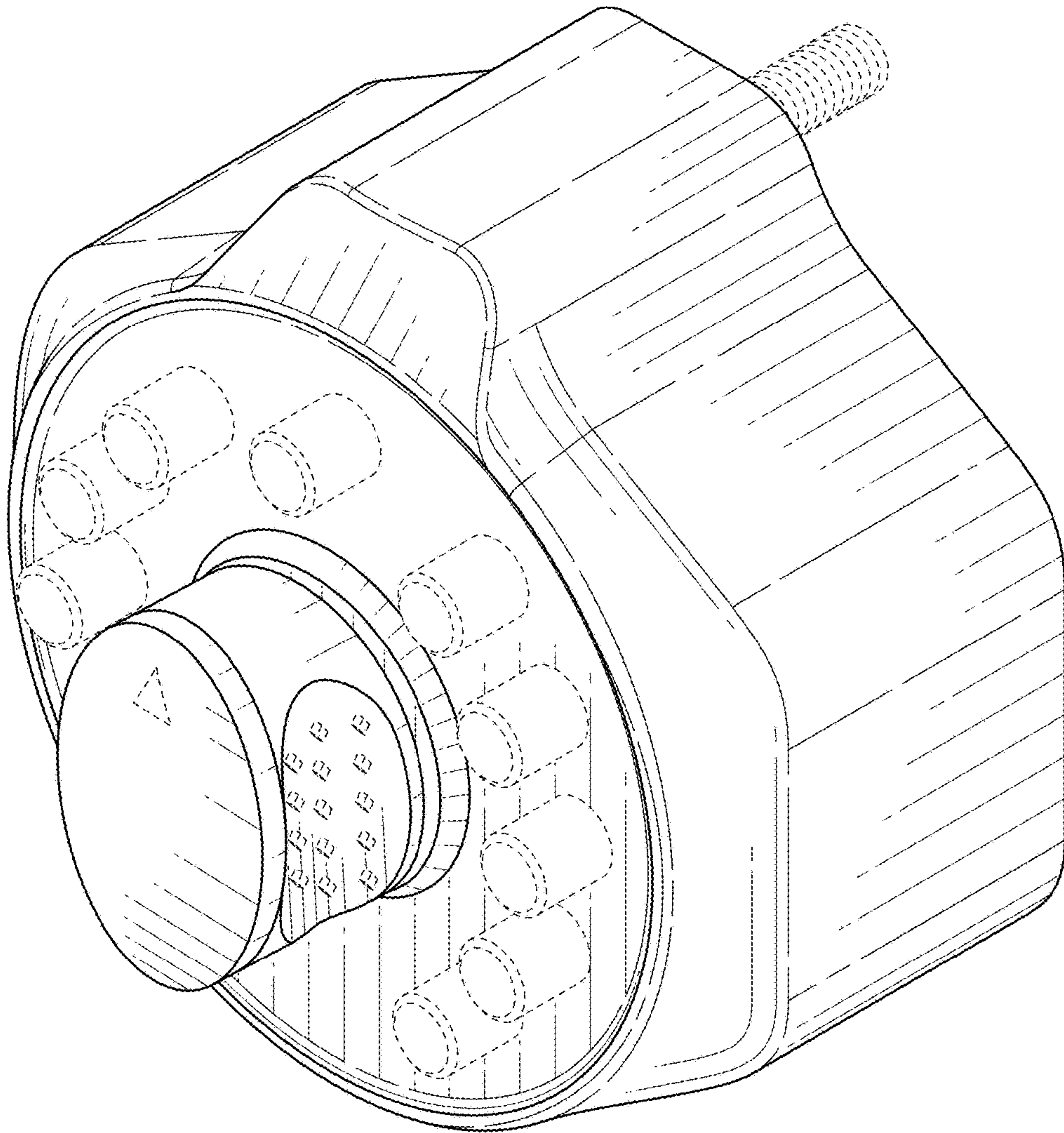


FIG. 8

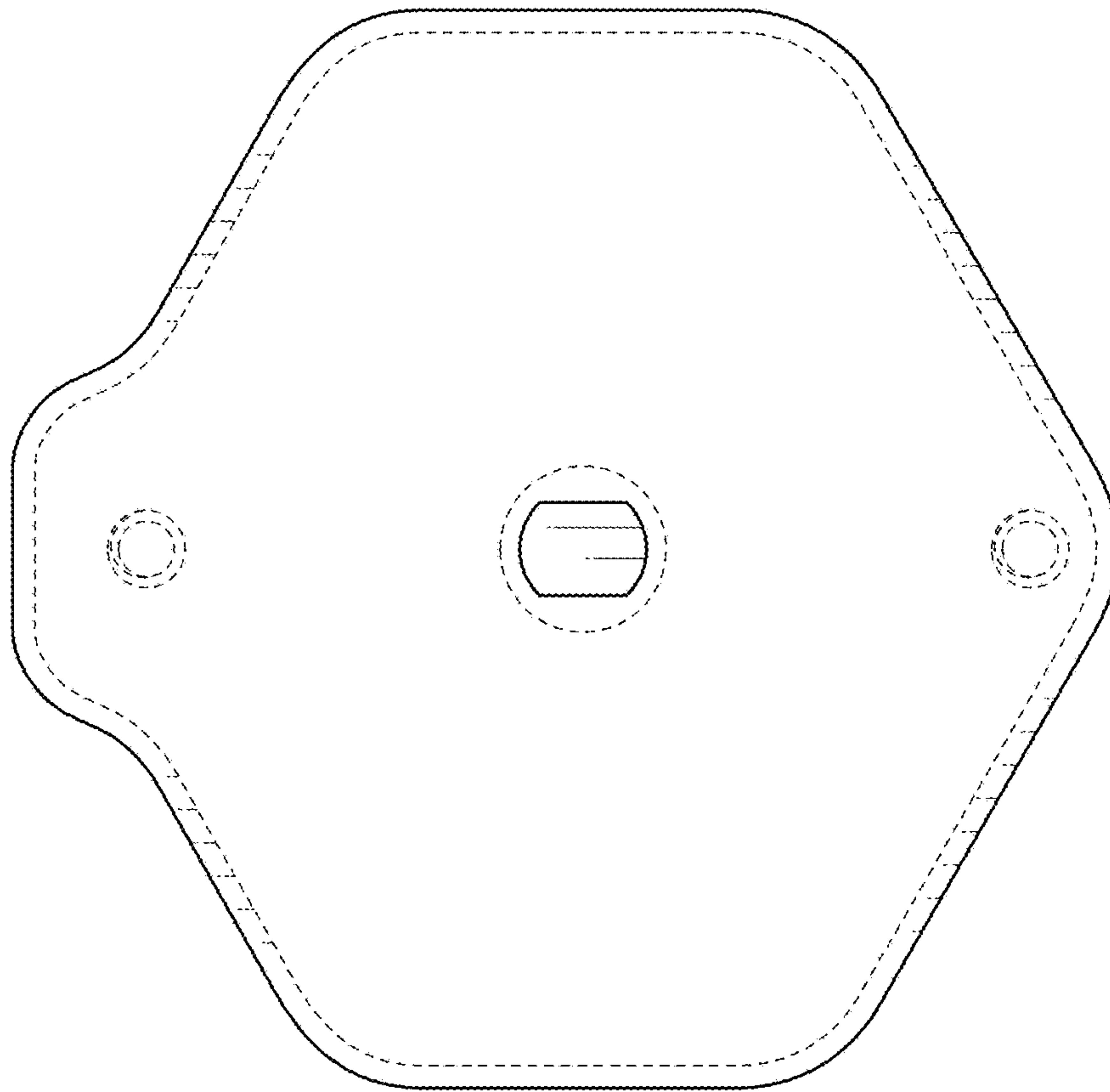


FIG. 10

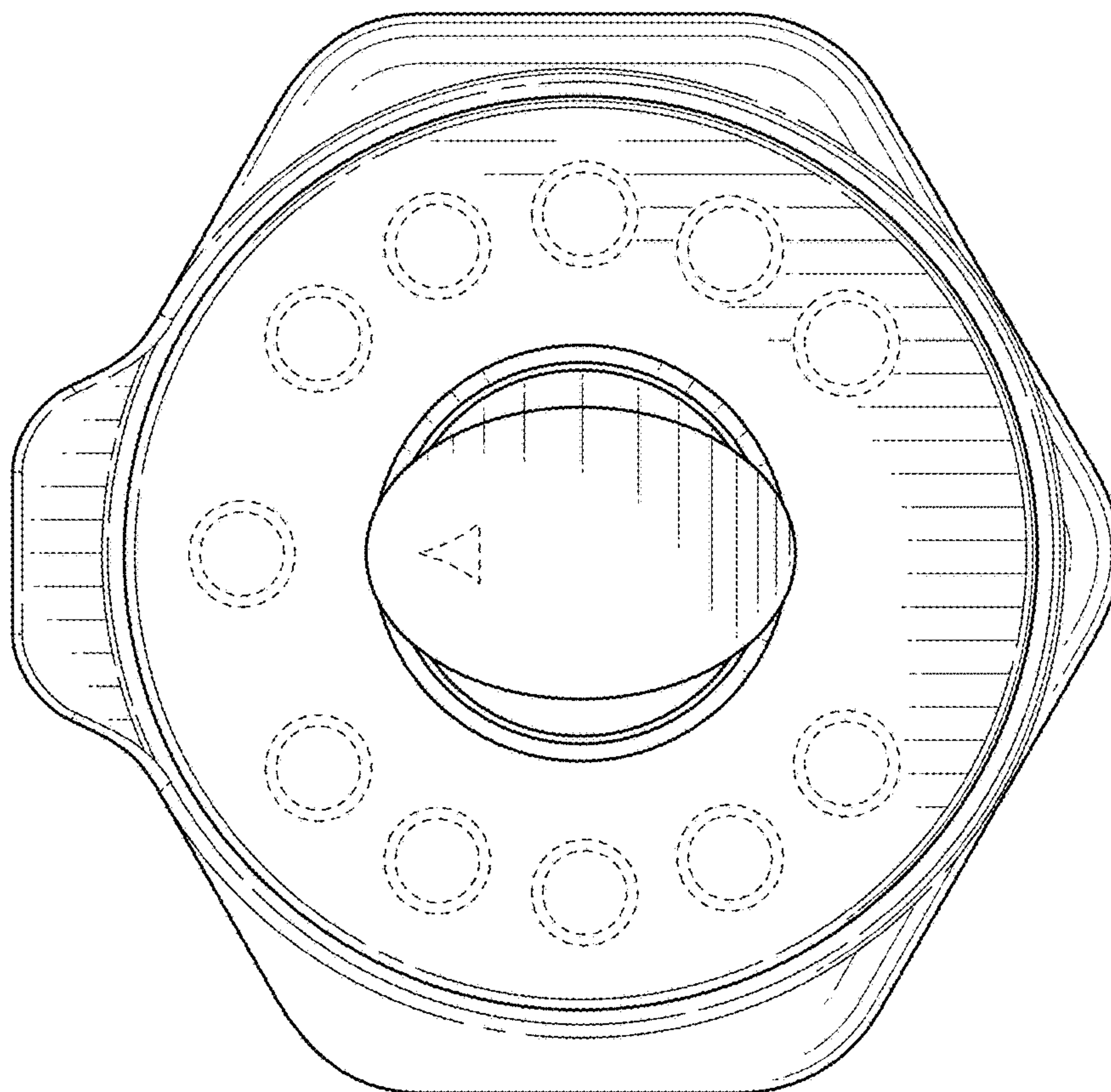


FIG. 9

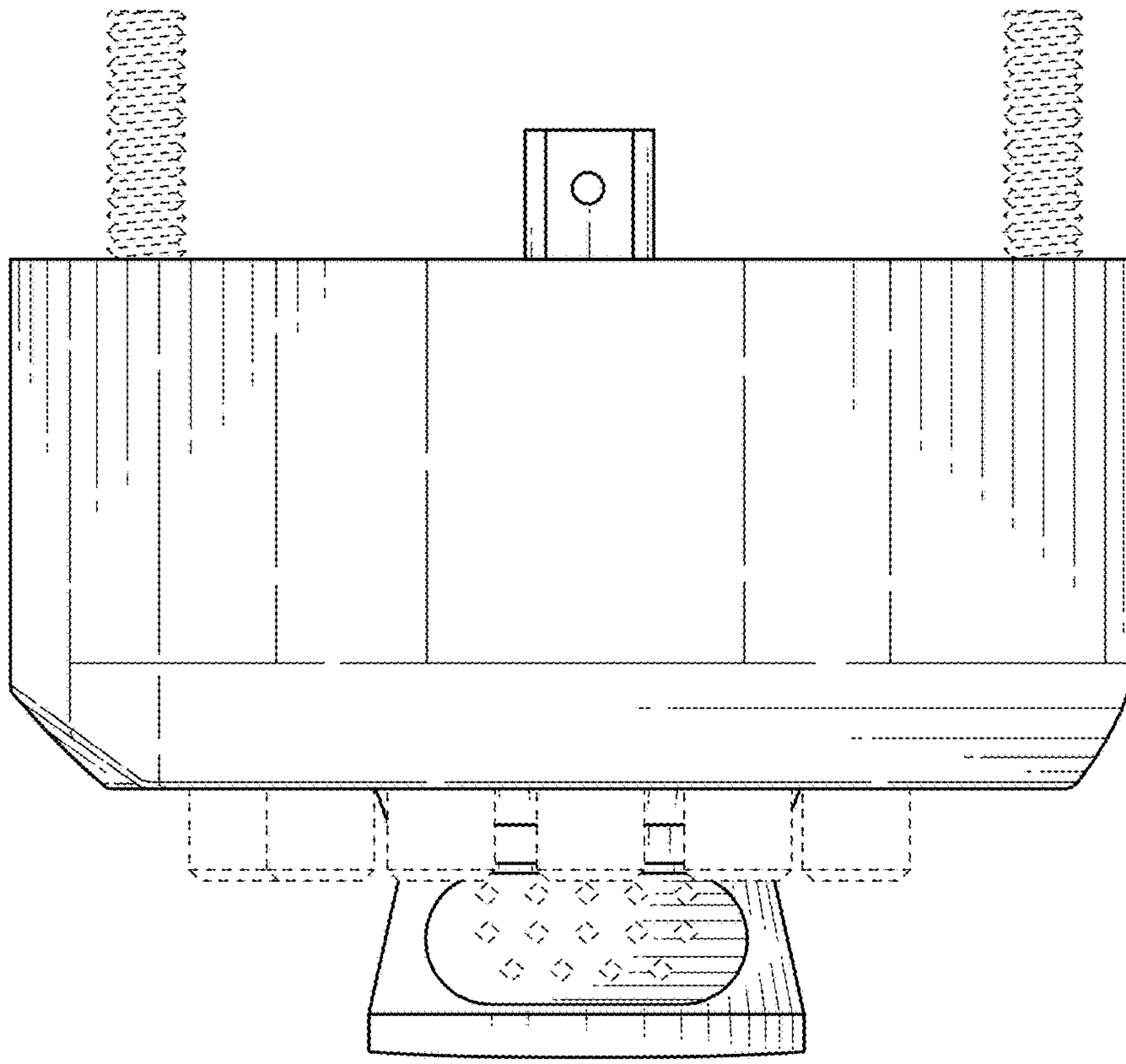


FIG. 12

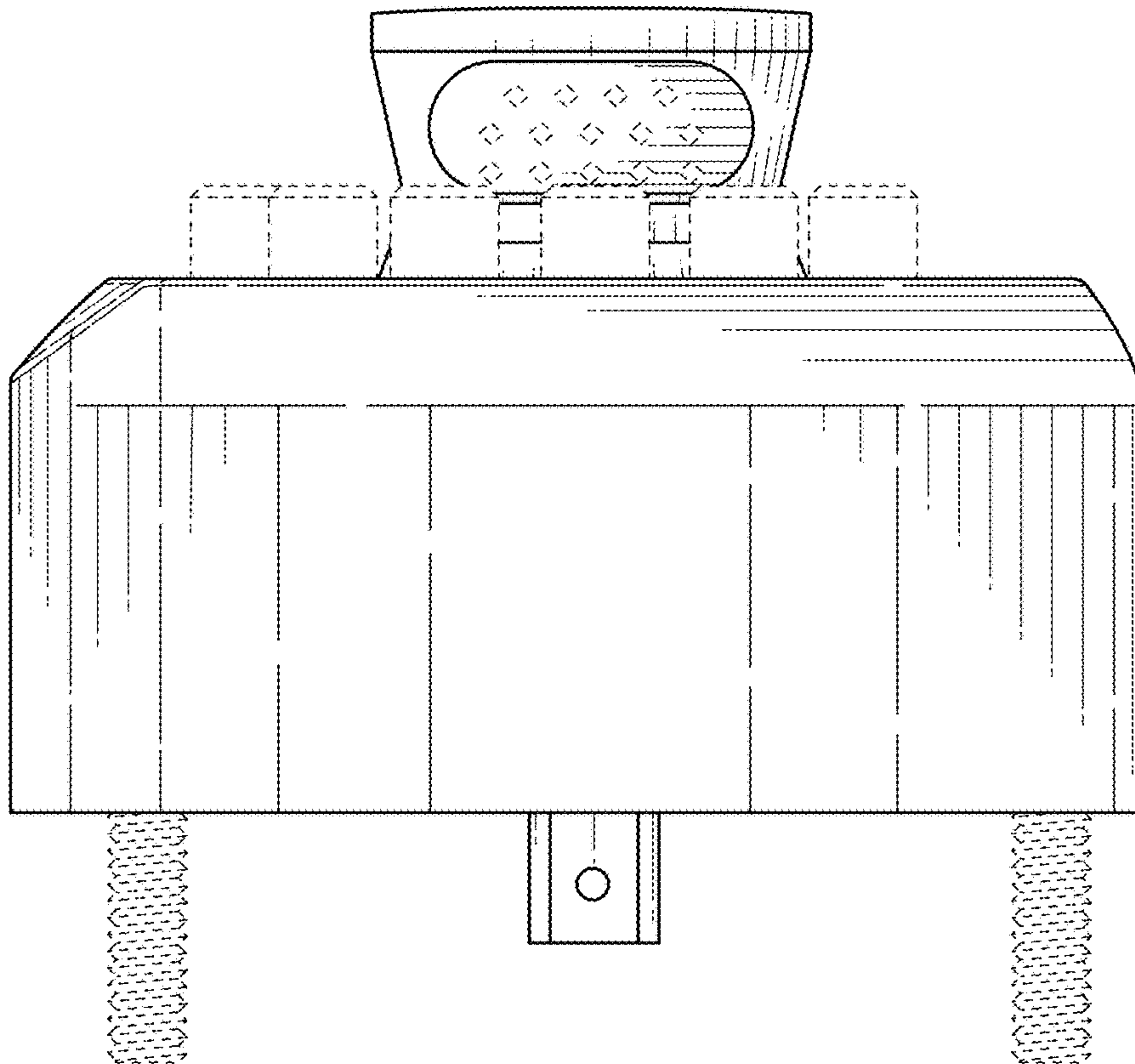


FIG. 11

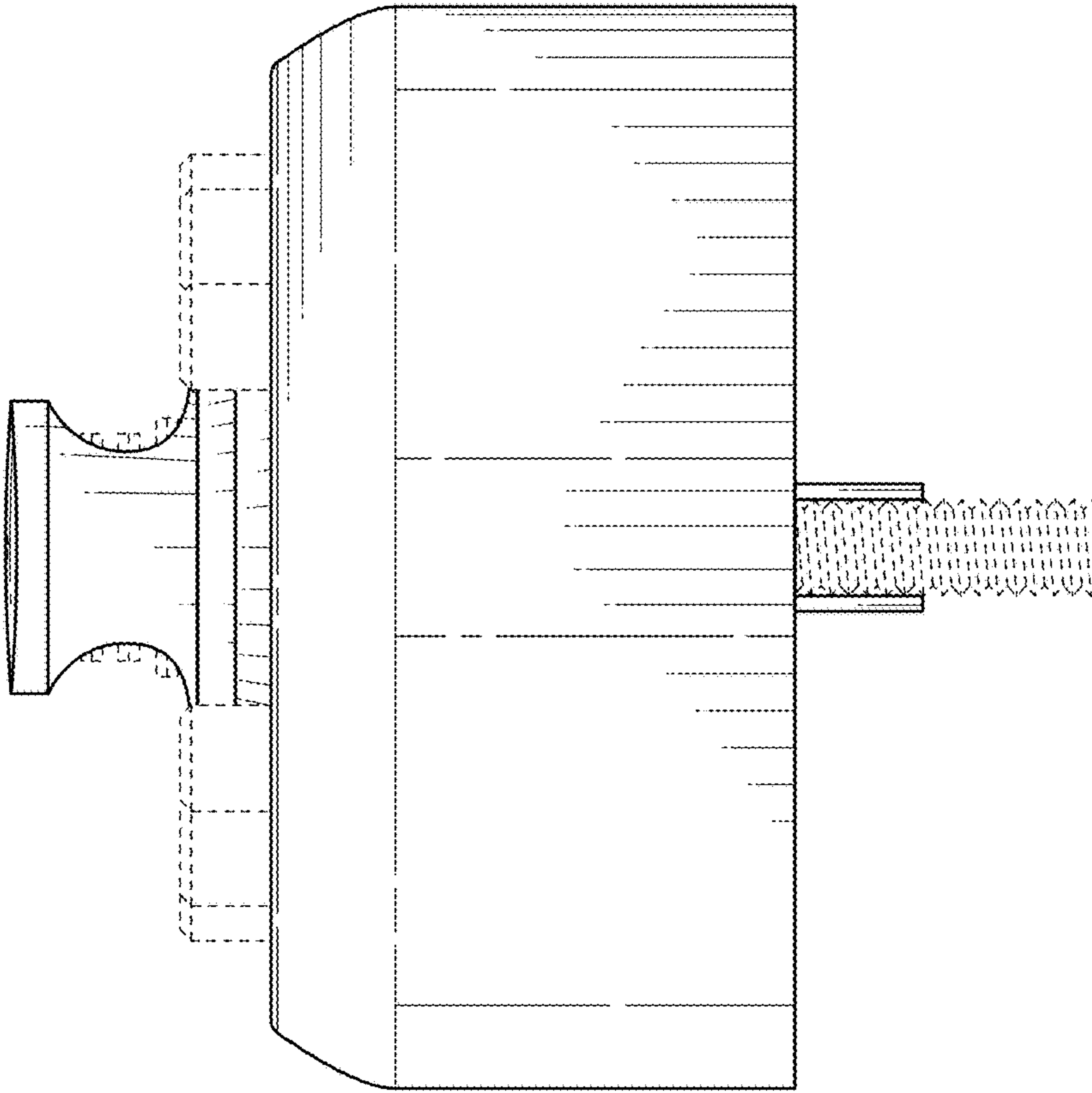


FIG. 13

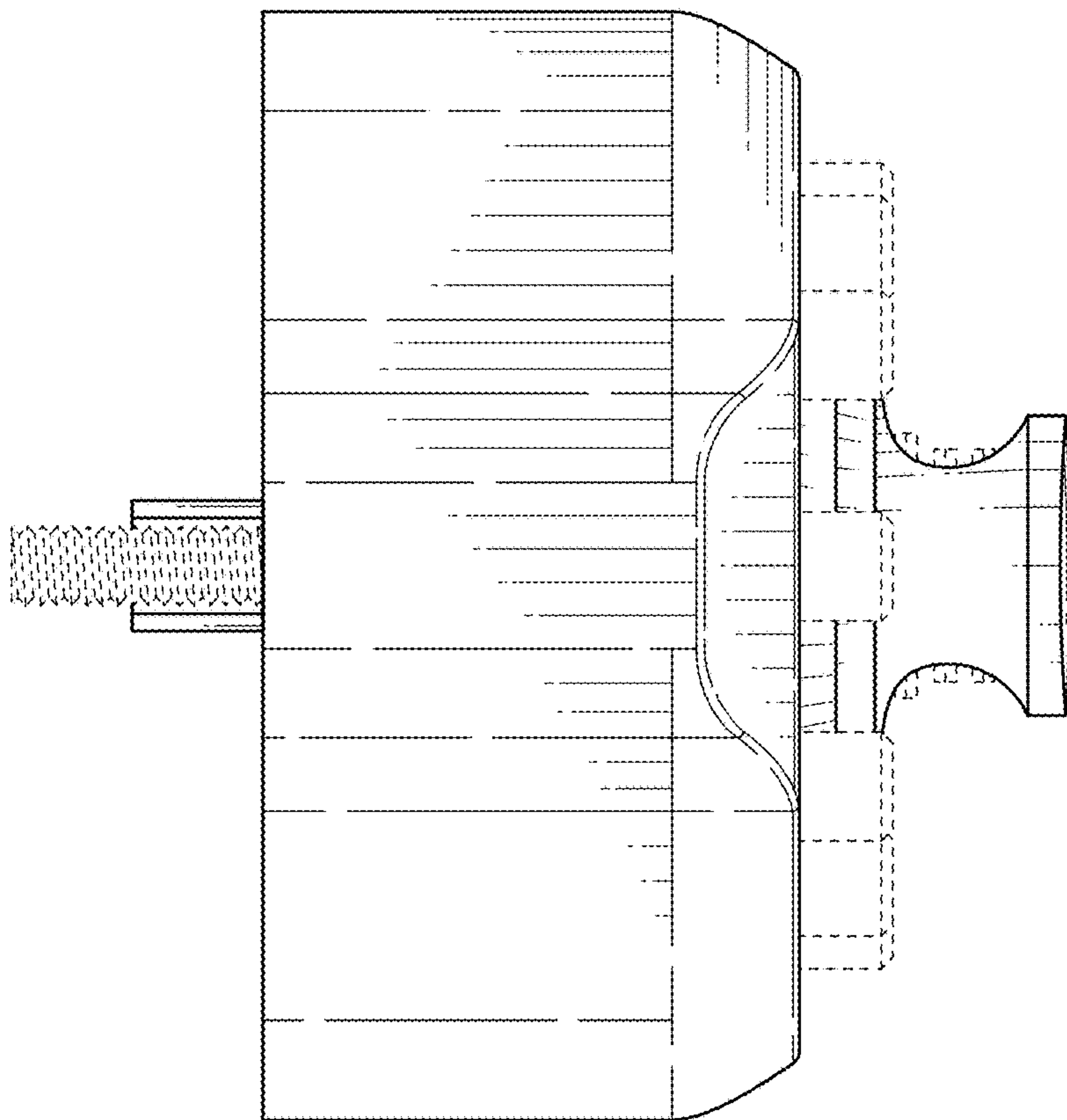


FIG. 14