



US00D837029S

(12) **United States Design Patent**  
**Cavanna et al.**

(10) **Patent No.:** **US D837,029 S**  
(45) **Date of Patent:** **\*\* Jan. 1, 2019**

(54) **LOCK**

(71) Applicant: **ZEPHYR LOCK, LLC**, Newtown, CT (US)

(72) Inventors: **Stephen Cavanna**, Branford, CT (US);  
**Douglas Greene**, Bethel, CT (US);  
**Kevin Houlihan**, North Salem, NY (US);  
**Nicolas Ivanoff**, Ansonia, CT (US);  
**Adam Jonovski**, Fullerton, CA (US);  
**Timothy Marshall**, Wolcott, CT (US);  
**Joseph Moya**, Johnstown, OH (US);  
**Mark Schiller**, Fairfield, CT (US);  
**Douglas Walker**, Middlebury, CT (US);  
**Patrick Wind**, Darien, CT (US)

(73) Assignee: **ZEPHYR LOCK, LLC**, Newtown, CT (US)

(\*\*) Term: **15 Years**

(21) Appl. No.: **29/592,610**

(22) Filed: **Jan. 31, 2017**

(51) **LOC (11) Cl.** ..... **08-07**

(52) **U.S. Cl.**  
USPC ..... **D8/331; D8/330**

(58) **Field of Classification Search**  
USPC ..... D8/301, 302, 330, 331, 349, 400, 499;  
70/57, 57.1, 14, 20, 91, 92, 102, 141,  
70/237, 262, 263, 266, 278.1, 279.1, 416,  
70/465, 442, 443, 214, 78, 447; 340/5.6,  
340/5.61, 5.64, 5.73, 286.01, 542, 547,  
340/545.1, 545.7; 292/336.3, 257, 194,  
292/195, 198, 164, 165  
CPC ..... E05B 49/00; E05B 41/00; E06B 65/00;  
E06B 65/52; E06B 51/00; B65D 55/07  
See application file for complete search history.

(56) **References Cited**

**U.S. PATENT DOCUMENTS**

4,899,562 A \* 2/1990 Gartner ..... G07C 9/0069  
70/277

D353,953 S \* 1/1995 Keller ..... D6/393  
D576,016 S \* 9/2008 Min ..... D8/330  
(Continued)

*Primary Examiner* — Elizabeth J Oswecki  
(74) *Attorney, Agent, or Firm* — Cantor Colburn LLP

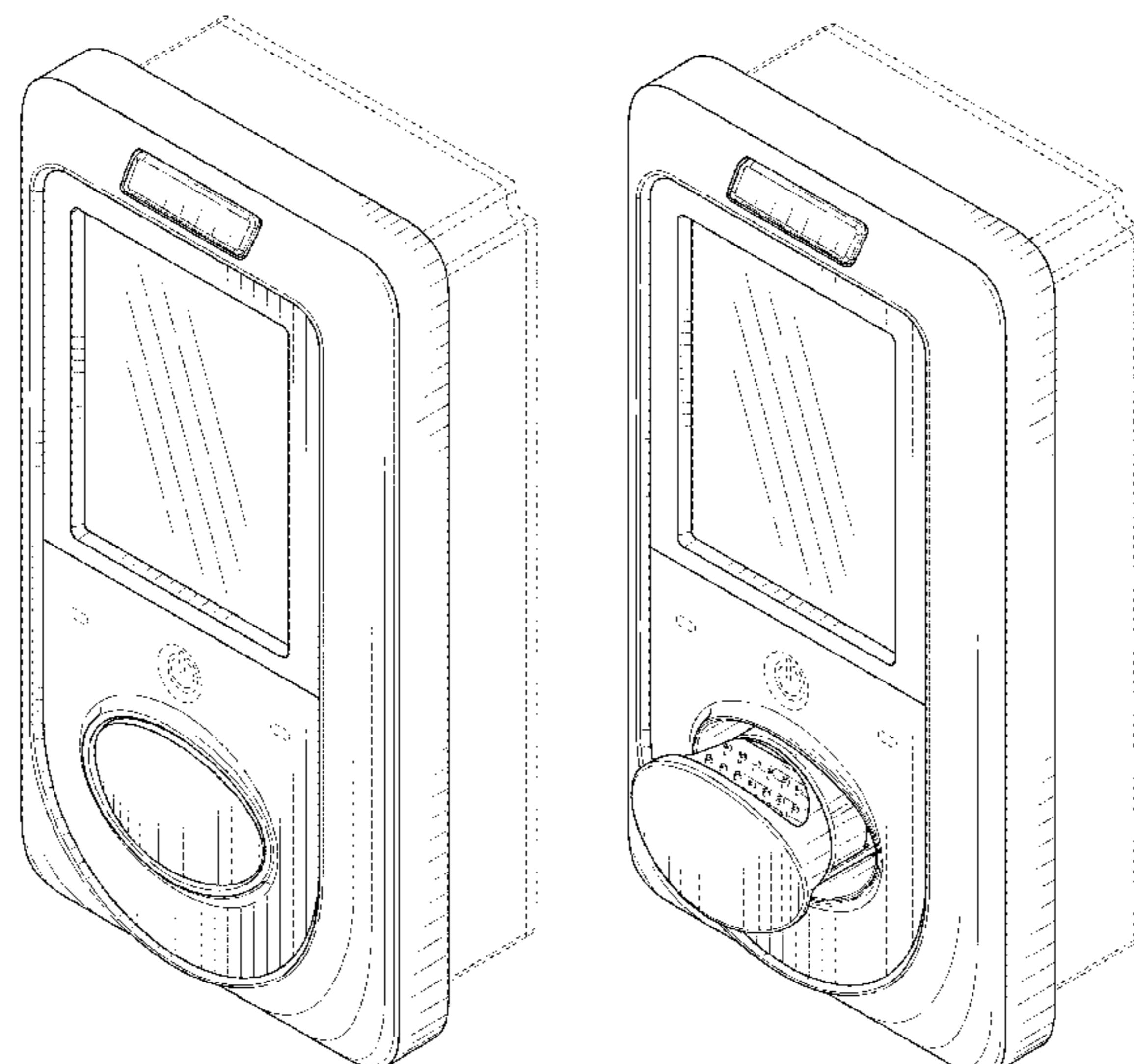
(57) **CLAIM**

The ornamental design for a lock, a shown and described.

**DESCRIPTION**

FIG. 1 is a perspective view of a first embodiment of a lock, showing our new design;  
FIG. 2 is a front view thereof;  
FIG. 3 is a rear view thereof;  
FIG. 4 is a side view thereof;  
FIG. 5 is another side view thereof;  
FIG. 6 is a top view thereof;  
FIG. 7 is a bottom view thereof;  
FIG. 8 is a perspective view of a second embodiment of a lock, showing our new design;  
FIG. 9 is a front view thereof;  
FIG. 10 is a rear view thereof;  
FIG. 11 is a side view thereof;  
FIG. 12 is another side view thereof;  
FIG. 13 is a top view thereof;  
FIG. 14 is a bottom view thereof;  
FIG. 15 is a perspective view of a third embodiment of a lock, showing our new design;  
FIG. 16 is a front view thereof;  
FIG. 17 is a rear view thereof;  
FIG. 18 is side view thereof;  
FIG. 19 is another side view thereof;  
FIG. 20 is a top view thereof; and,  
FIG. 21 is a bottom view thereof.  
The broken lines in the figures are for environmental purposes only and form no part of the claimed design.

**1 Claim, 18 Drawing Sheets**



(56)

**References Cited**

U.S. PATENT DOCUMENTS

7,482,907 B2 \* 1/2009 Denison ..... B60R 25/102  
340/5.1  
7,721,576 B2 \* 5/2010 Amir ..... E05B 47/0012  
292/142  
D686,056 S \* 7/2013 Li ..... D8/331  
D731,286 S \* 6/2015 Gokcebay ..... D8/330  
D737,661 S \* 9/2015 Chan ..... D8/330  
9,222,283 B1 \* 12/2015 Zhang ..... E05B 9/086  
D749,932 S \* 2/2016 Hollman ..... D8/330  
D752,945 S \* 4/2016 Gokcebay ..... D8/330  
9,536,359 B1 \* 1/2017 Gokcebay ..... E05B 47/06  
D804,278 S \* 12/2017 Gokcebay ..... D8/331

\* cited by examiner

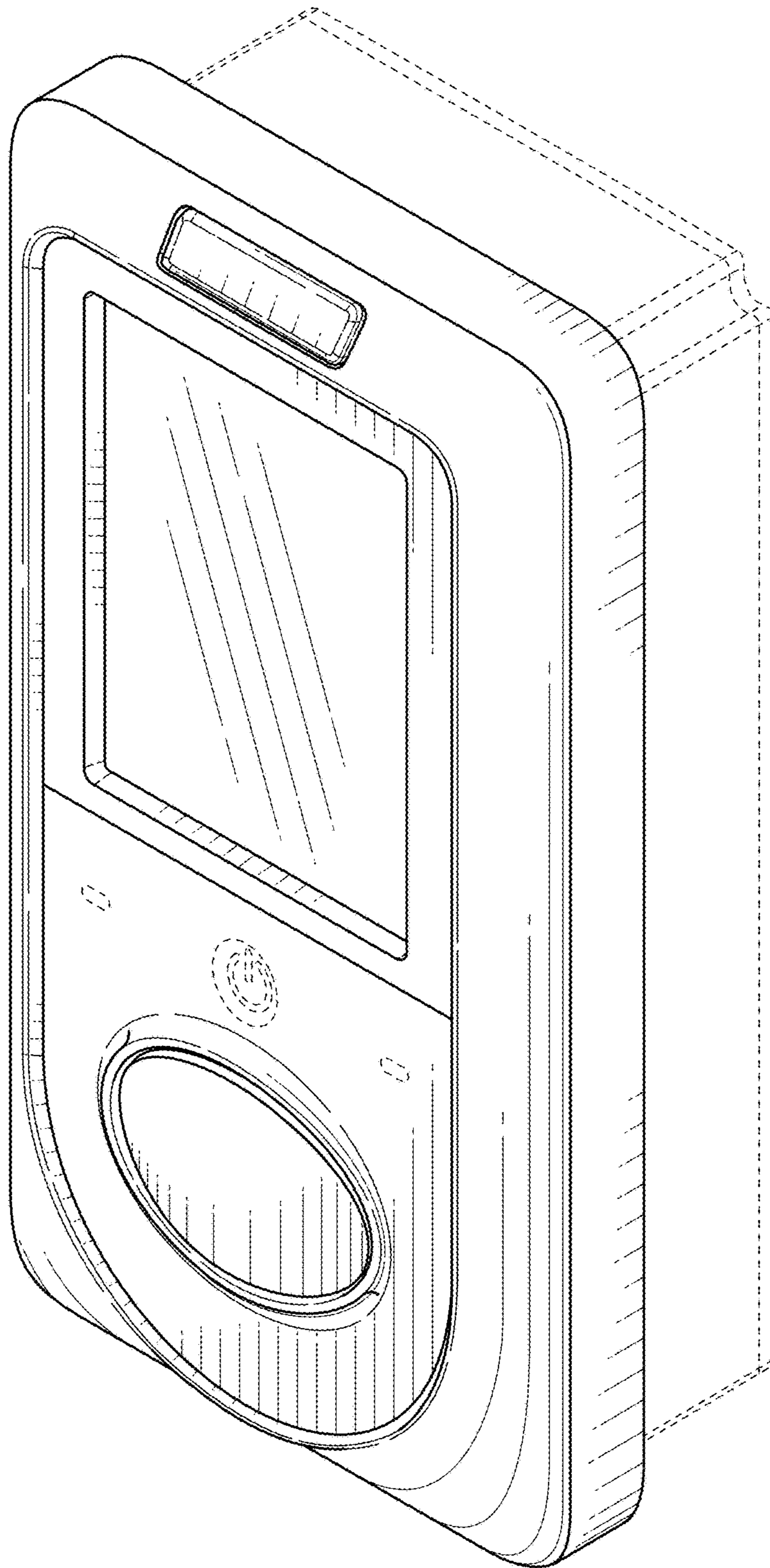


FIG. 1

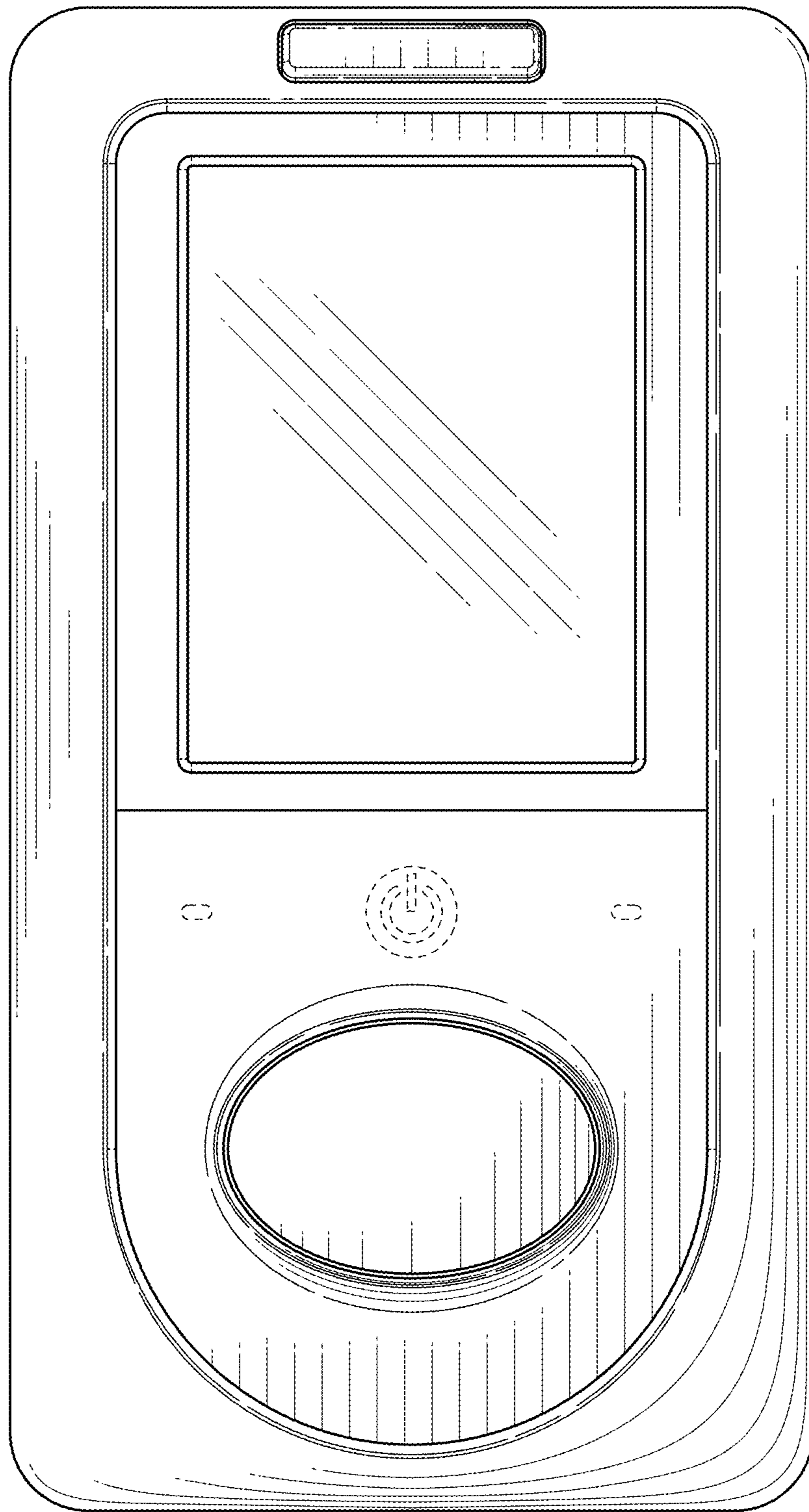


FIG. 2

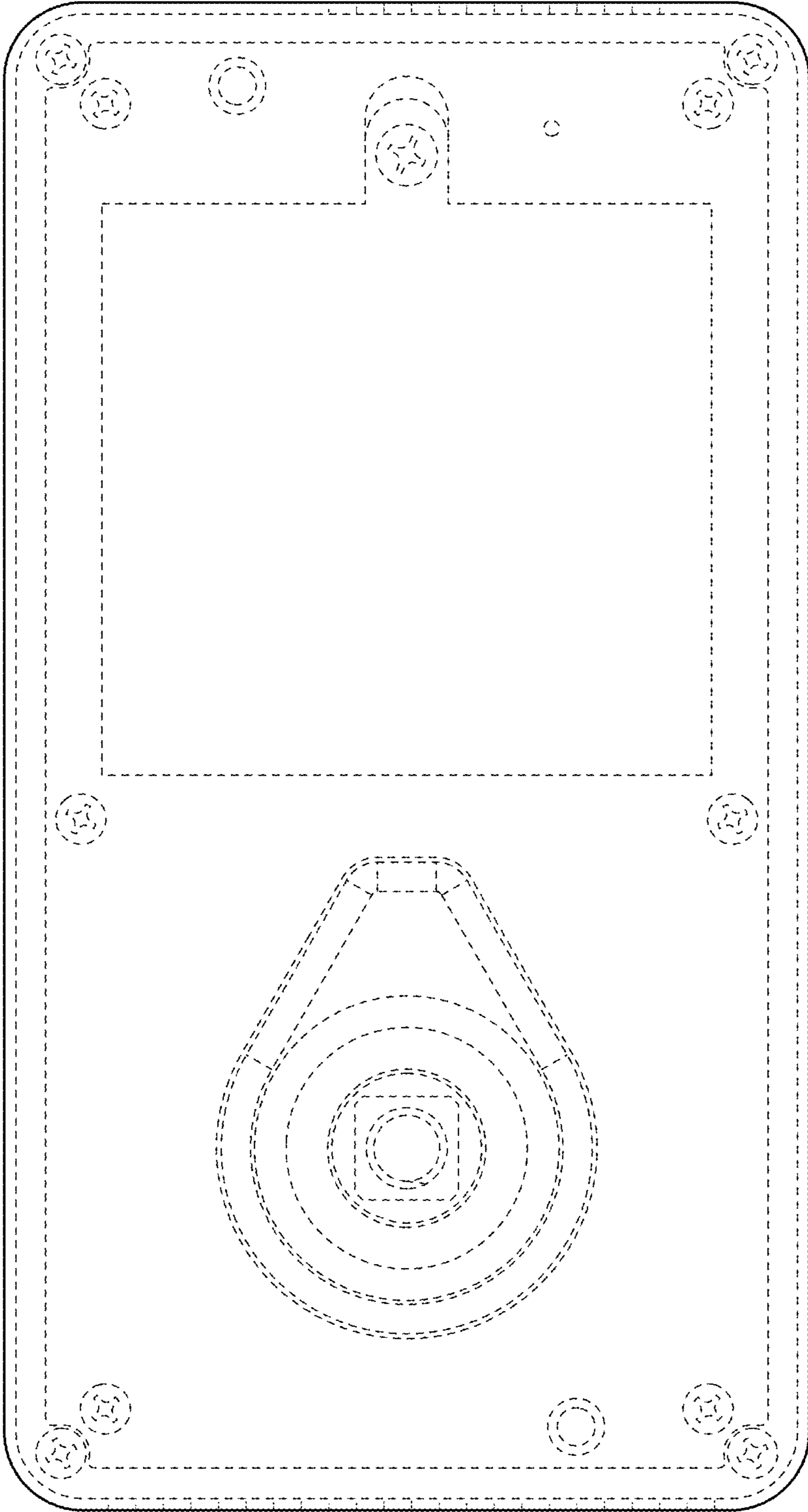


FIG. 3

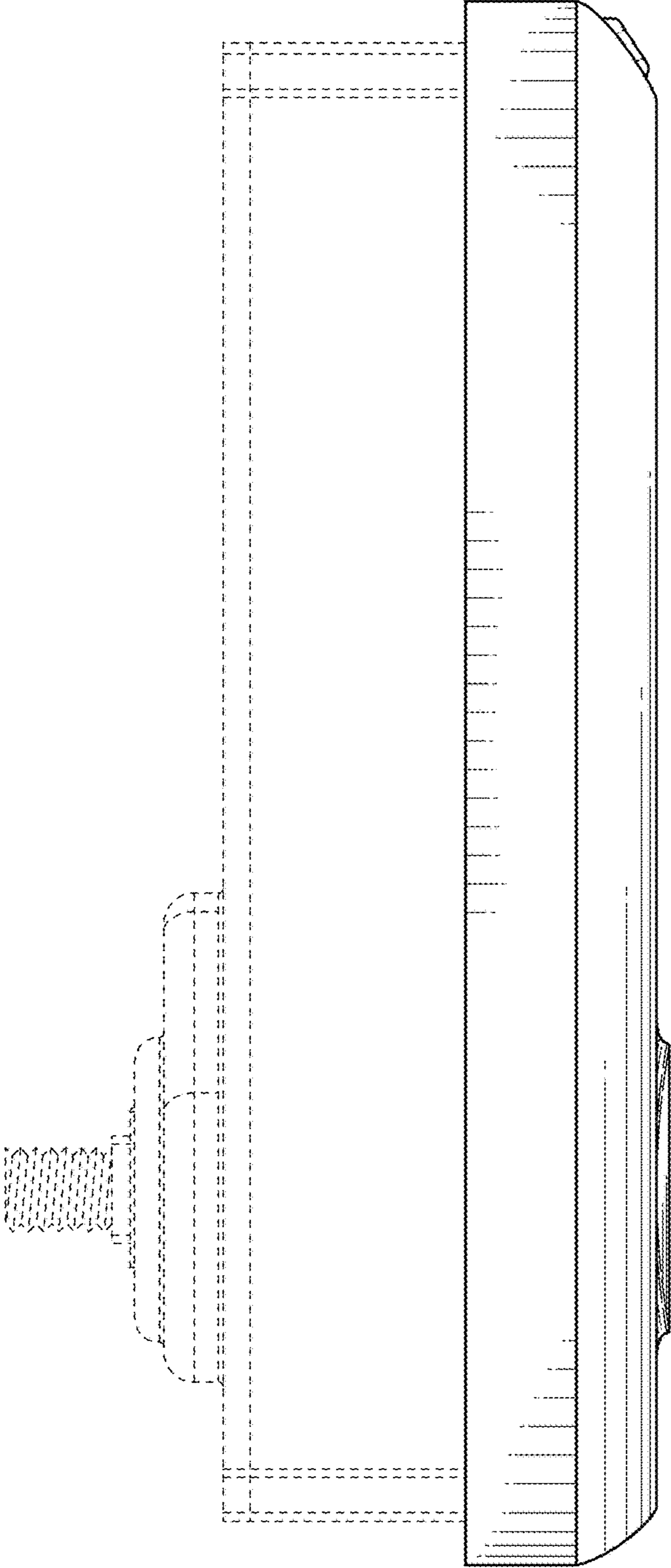


FIG. 4

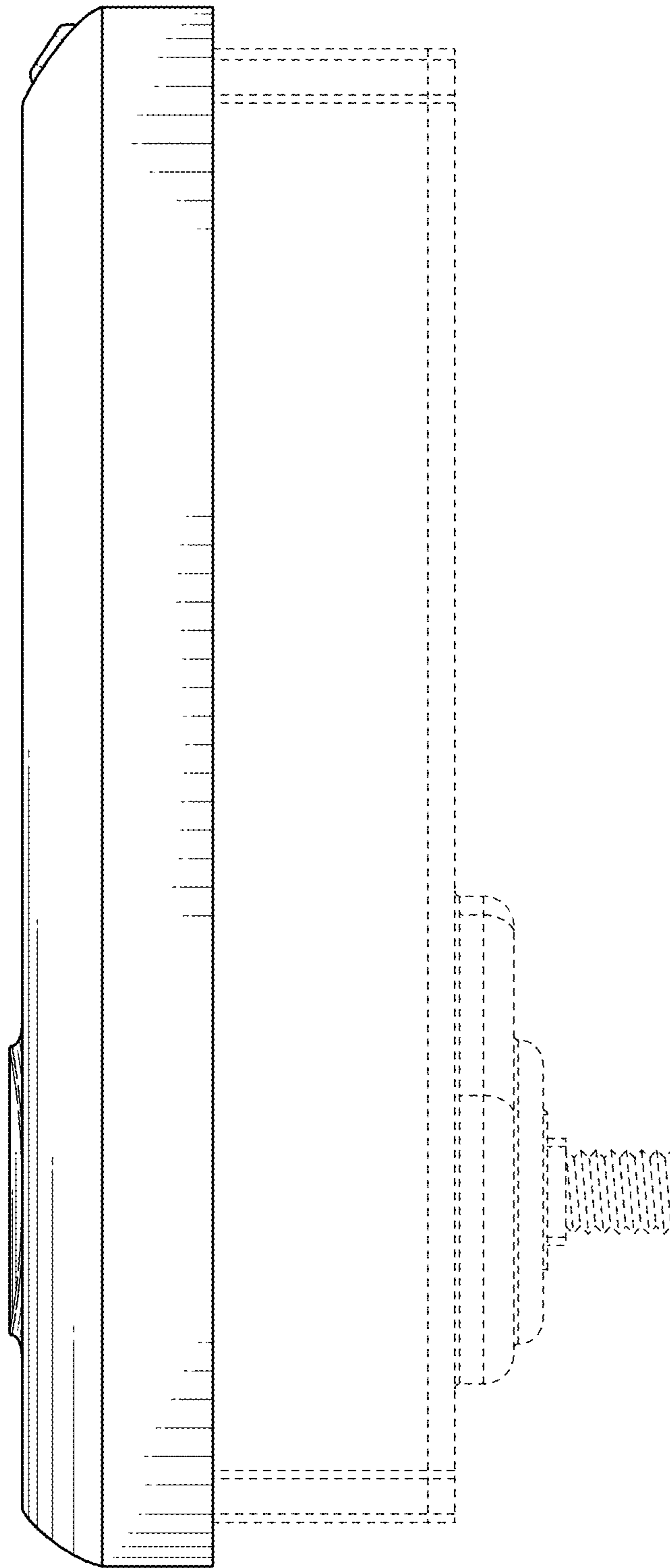


FIG. 5

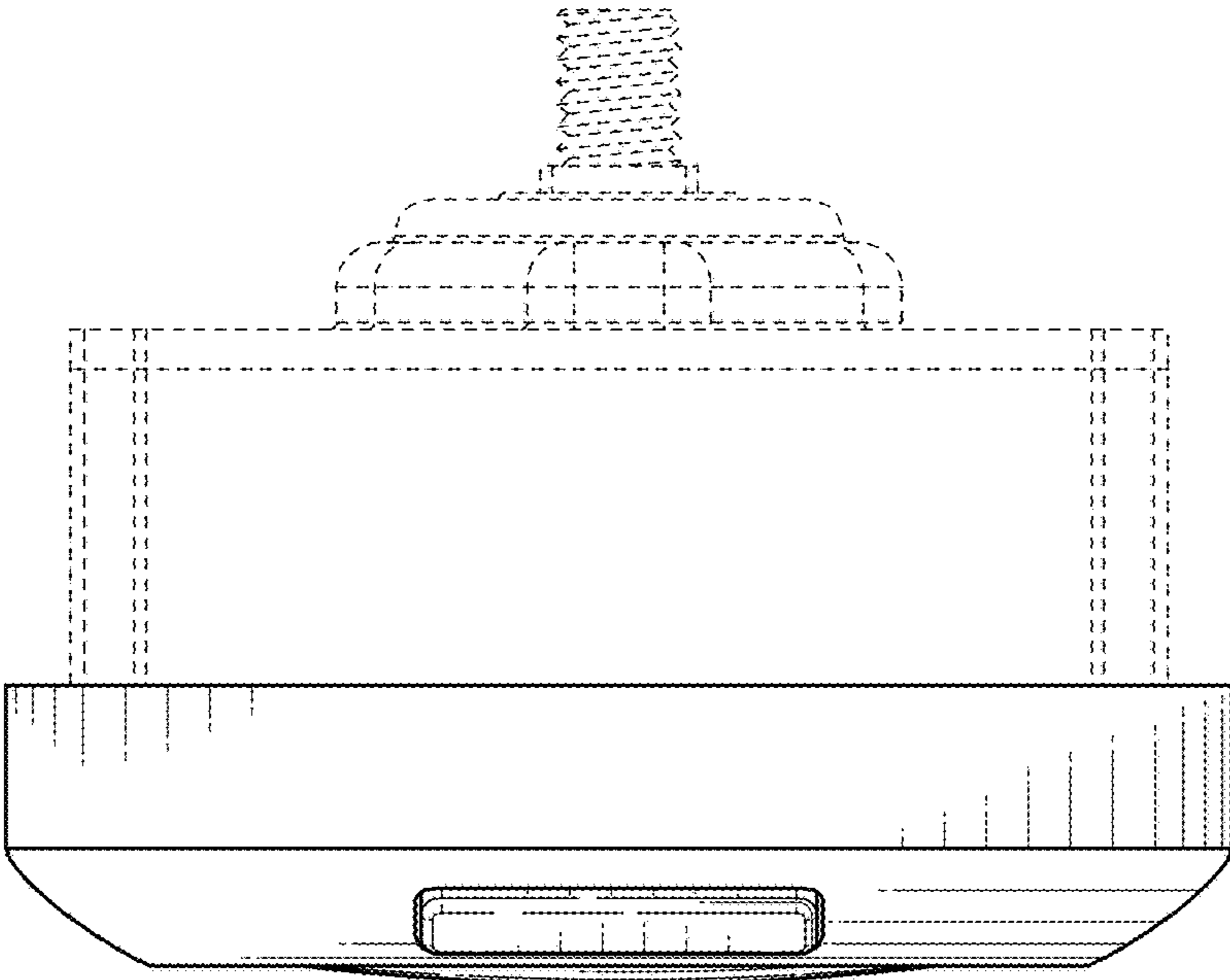


FIG. 6

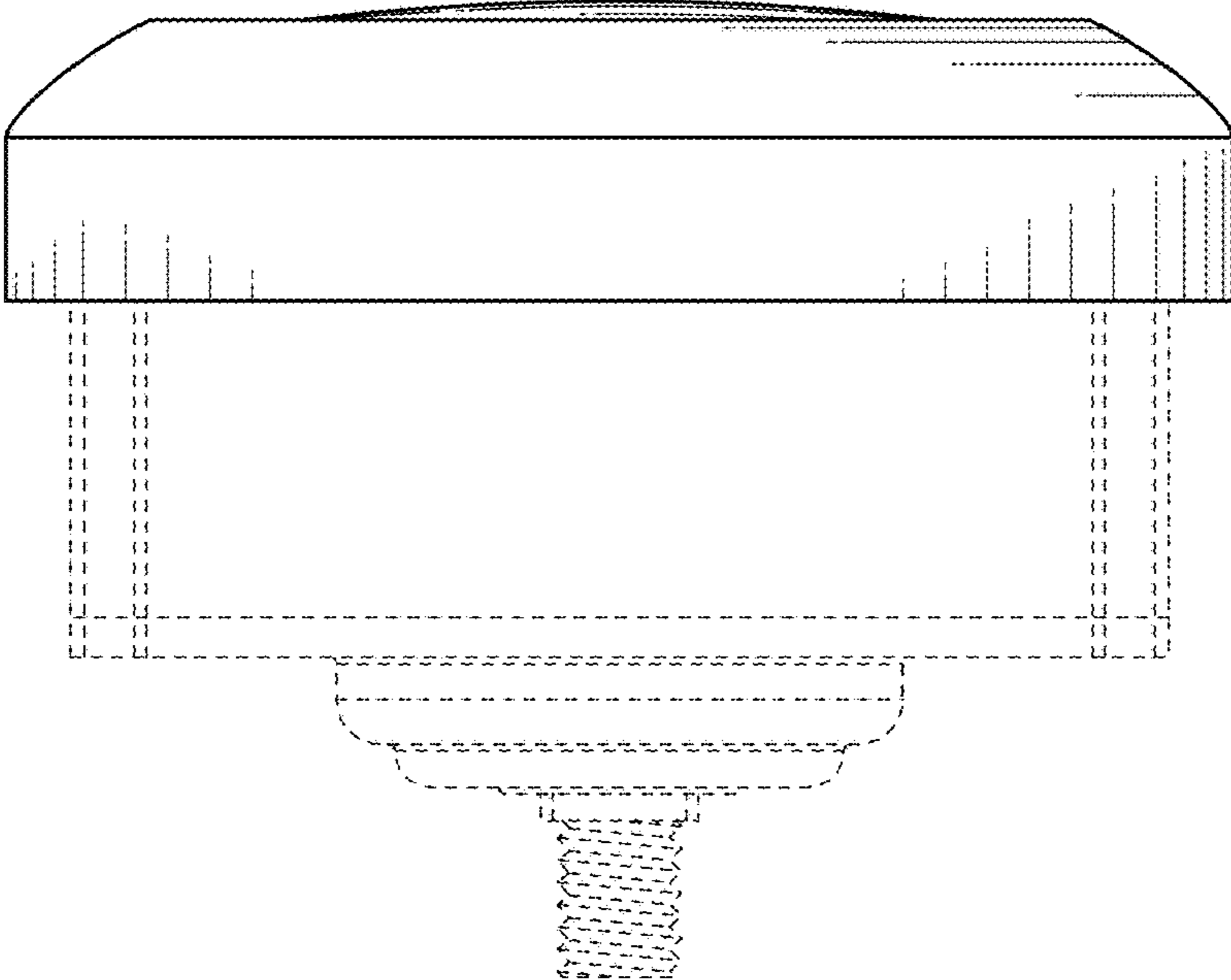


FIG. 7



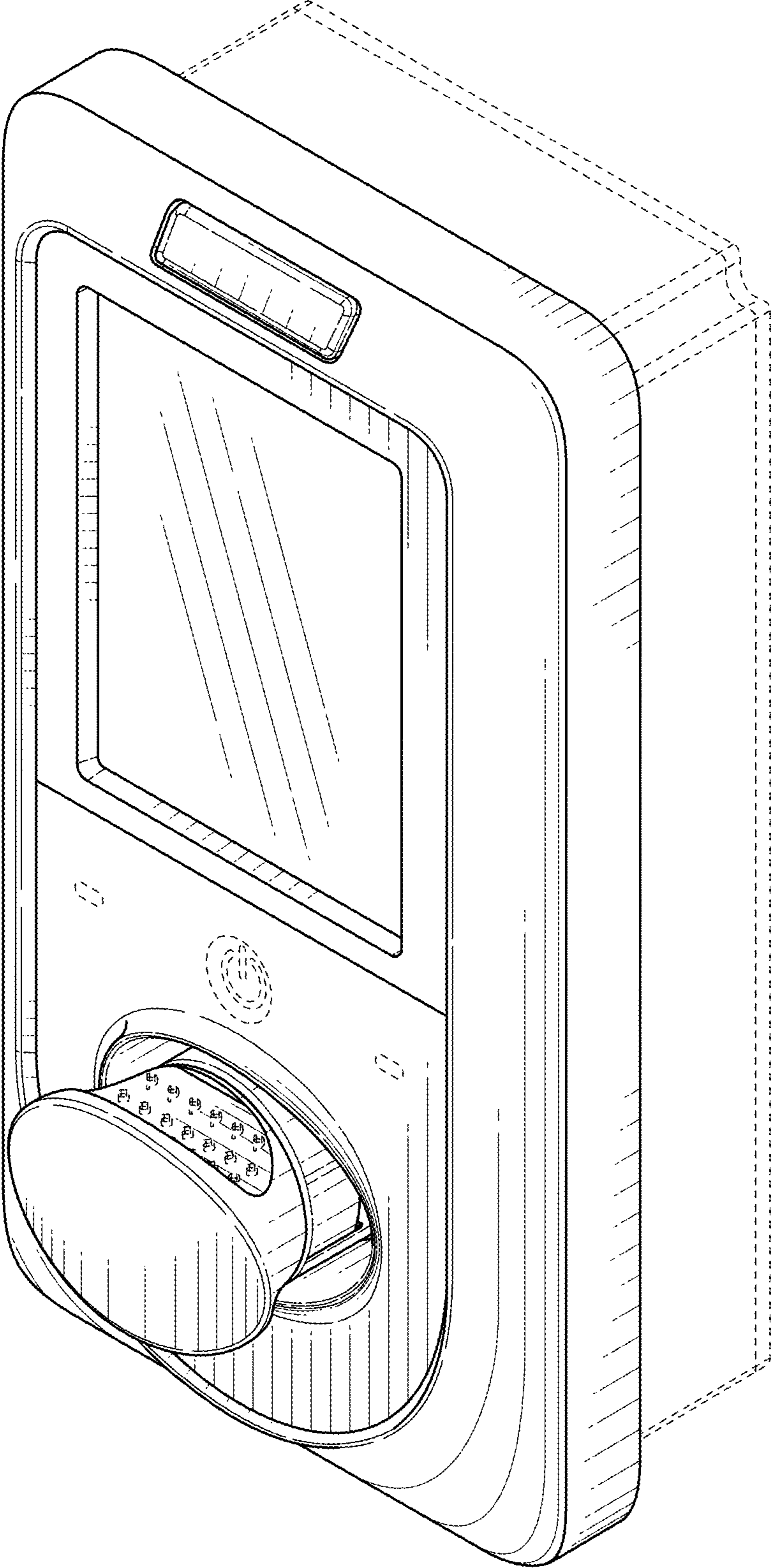


FIG. 8

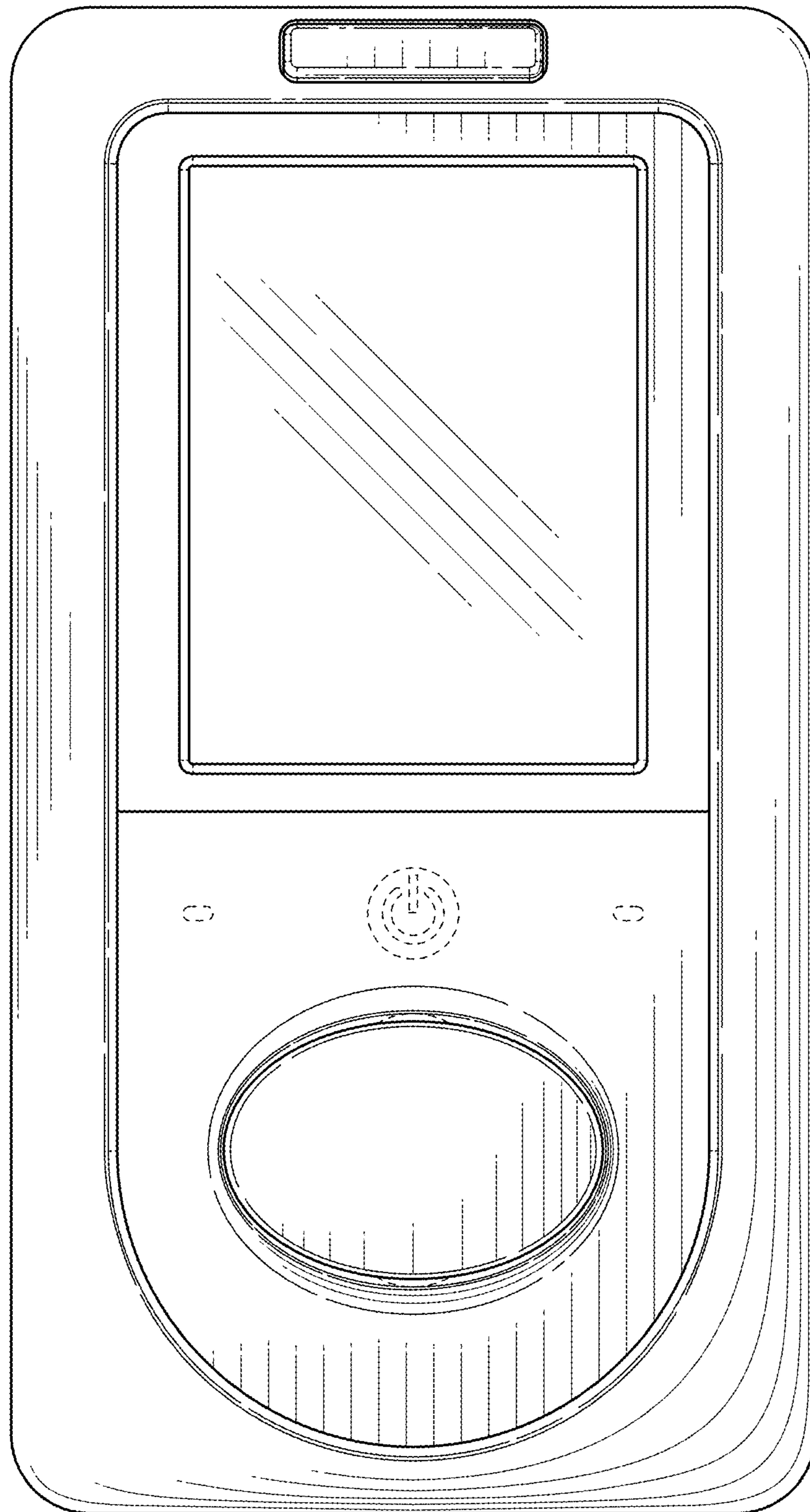


FIG. 9

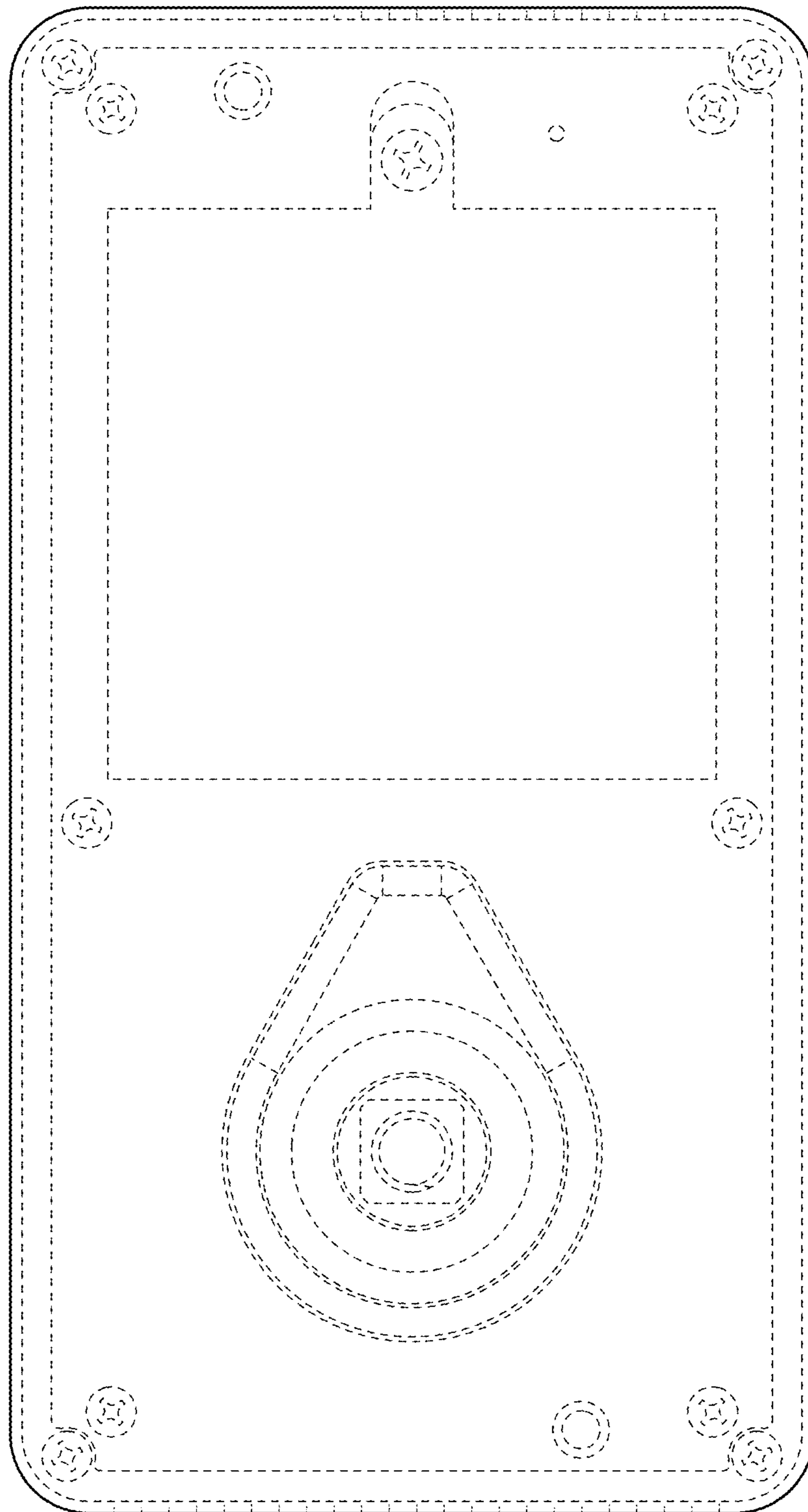


FIG. 10

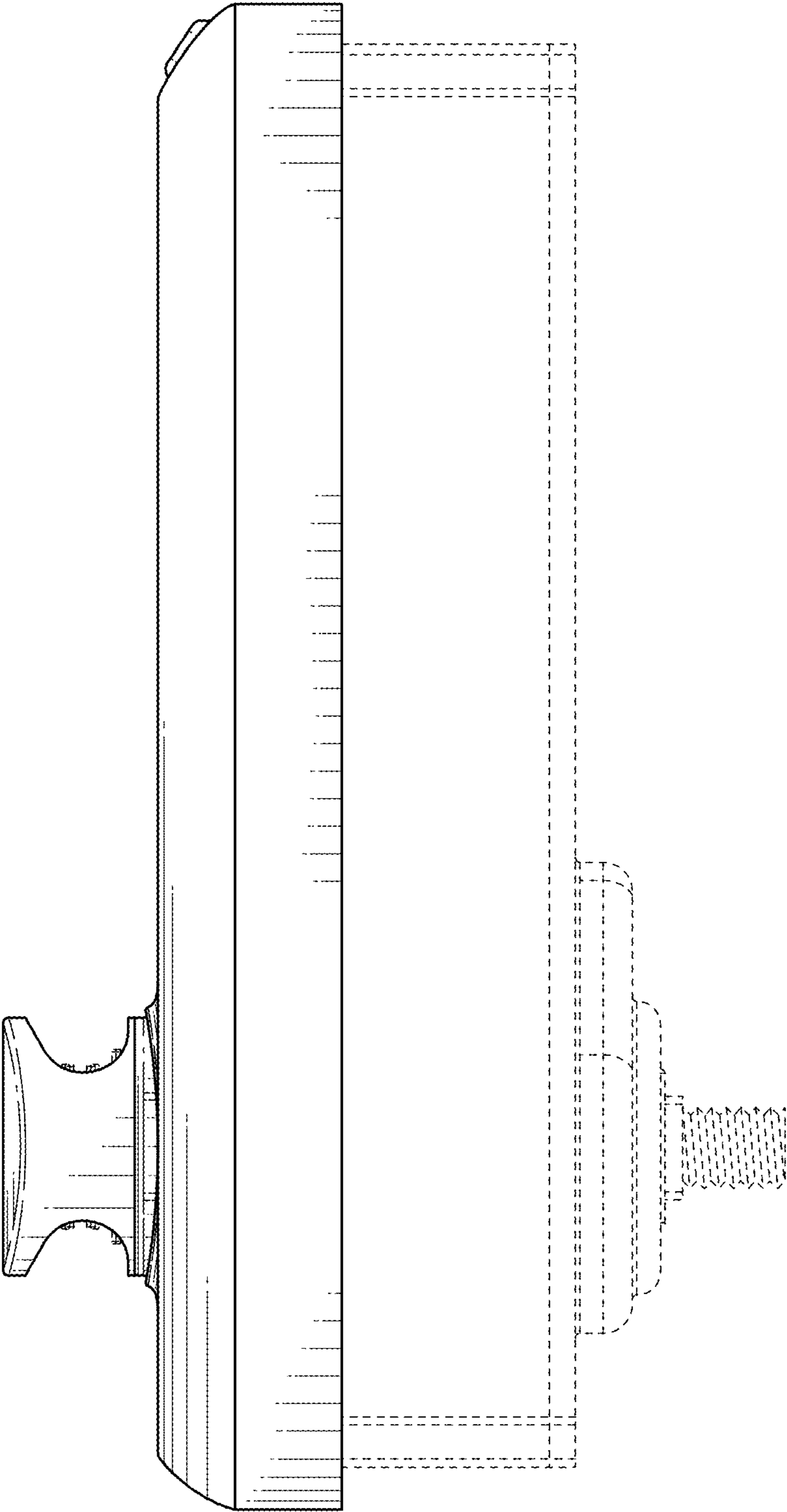


FIG. 12

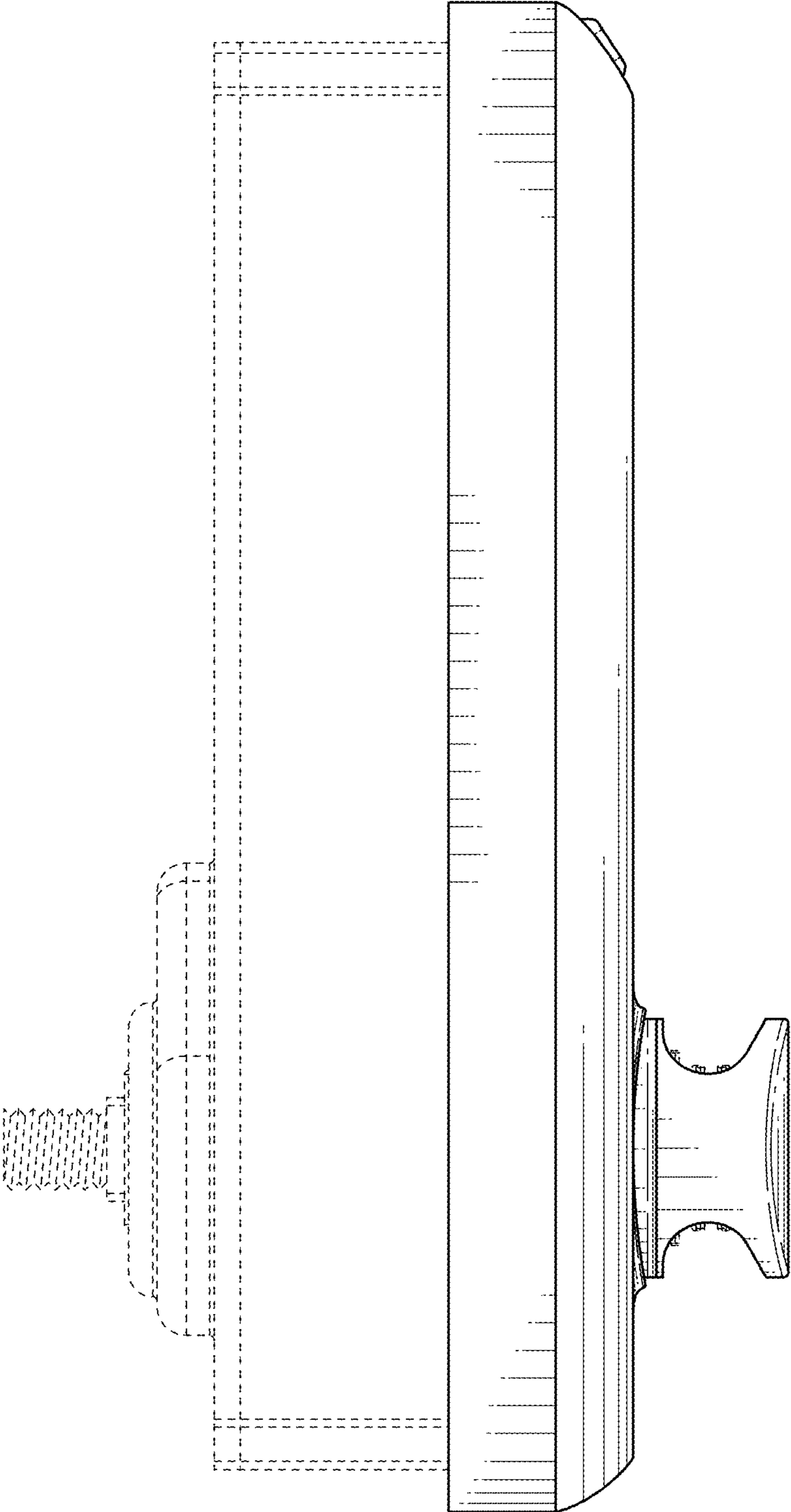


FIG. 11

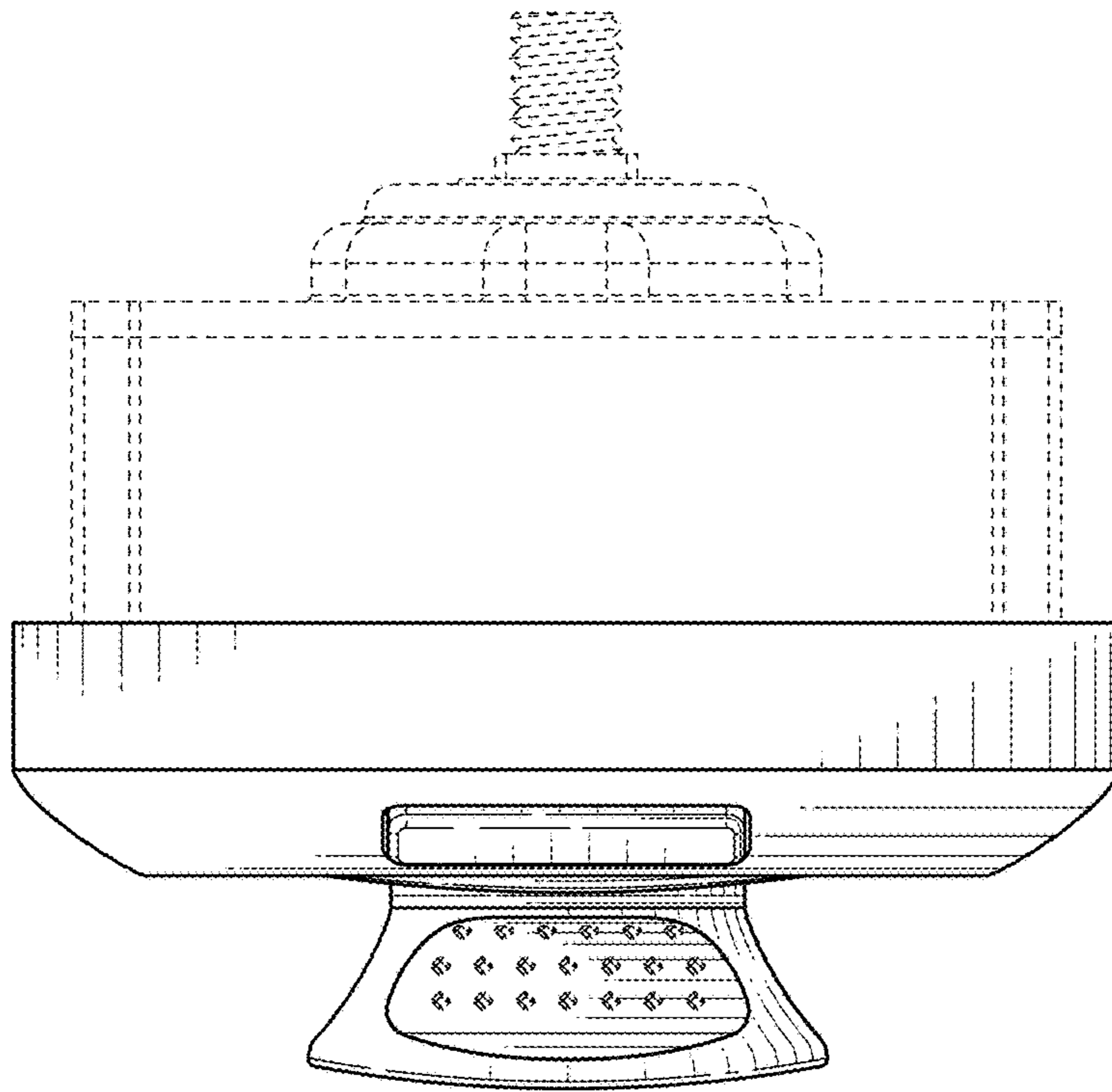


FIG. 13

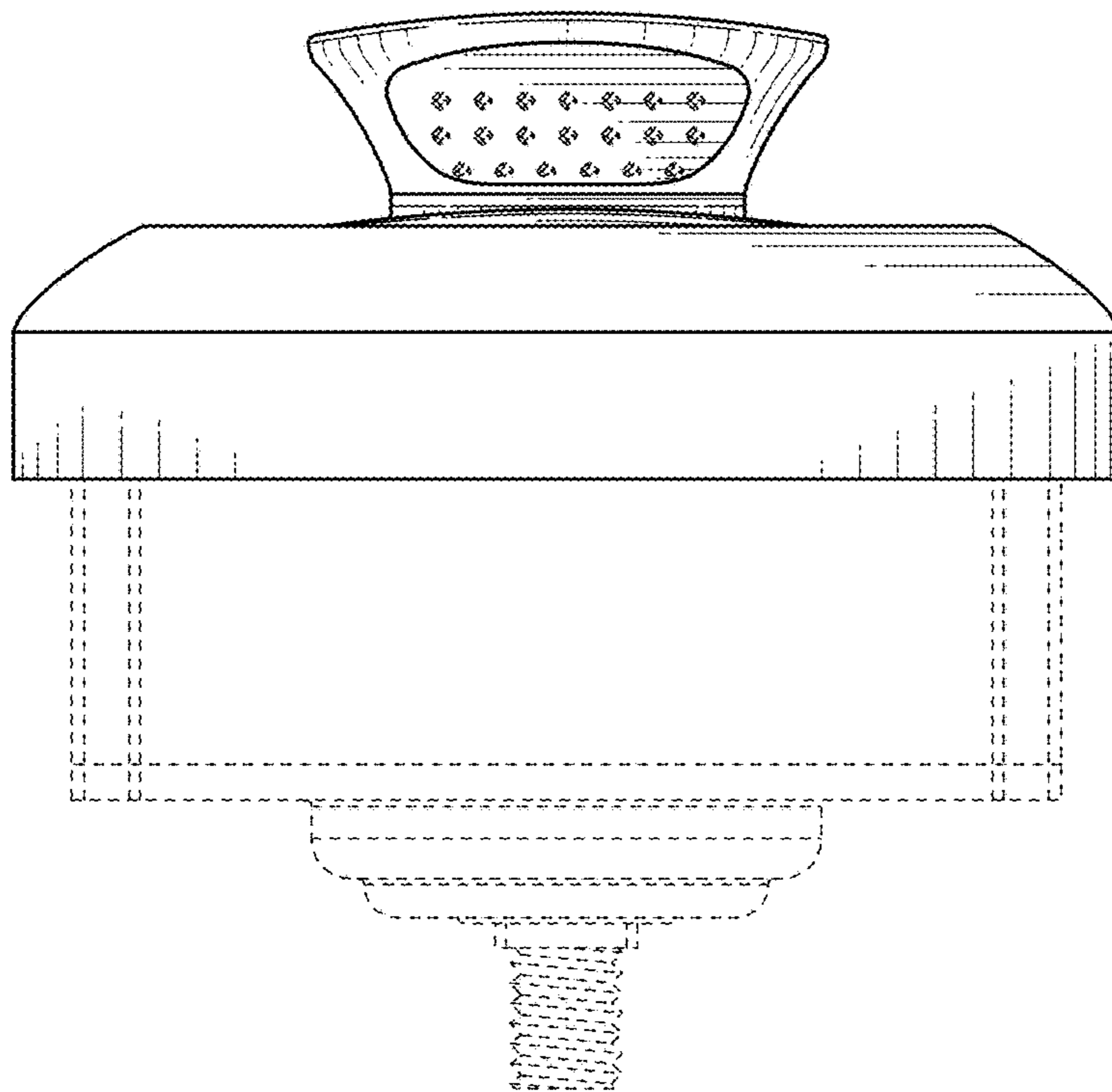


FIG. 14

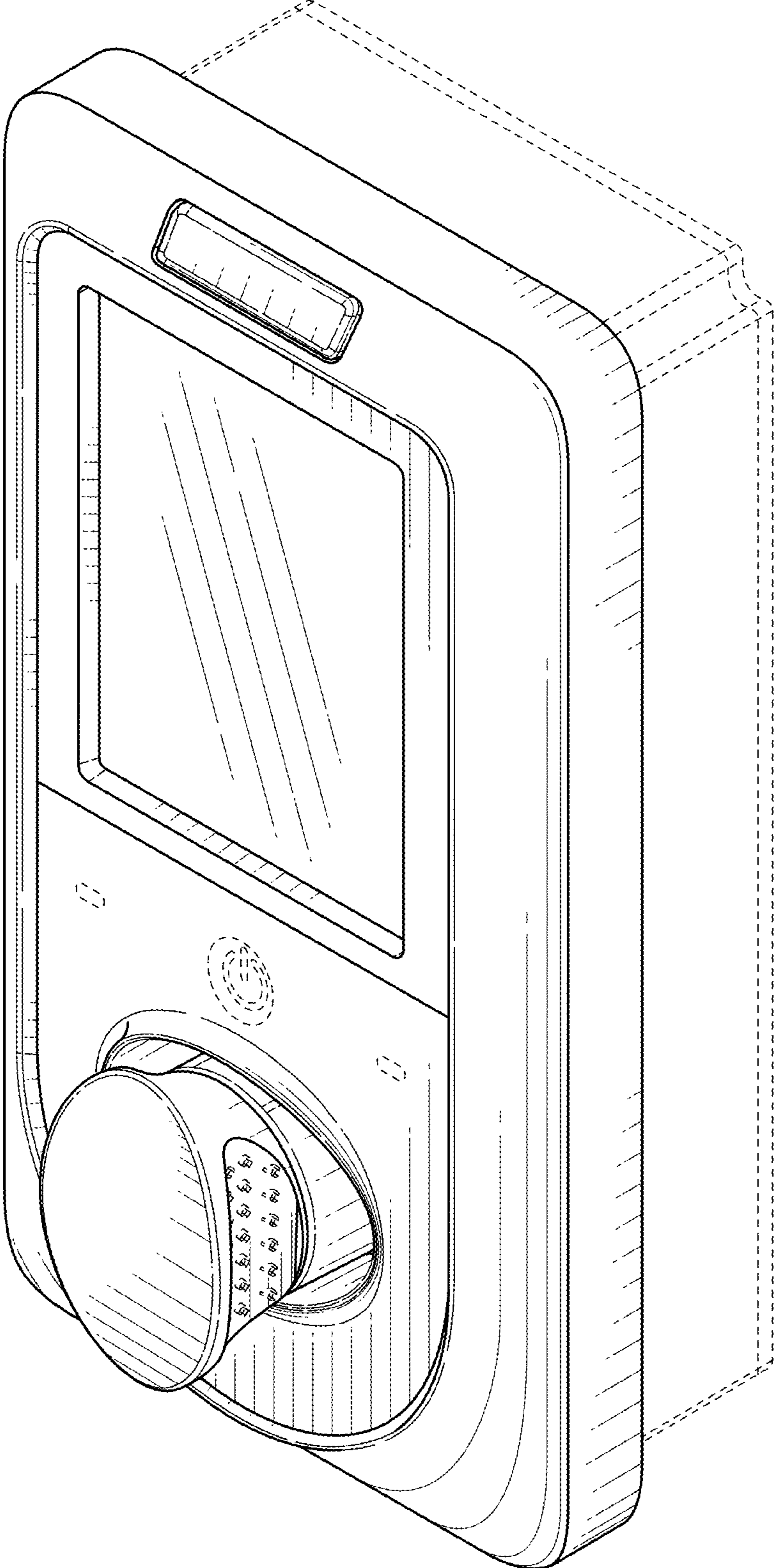


FIG. 15

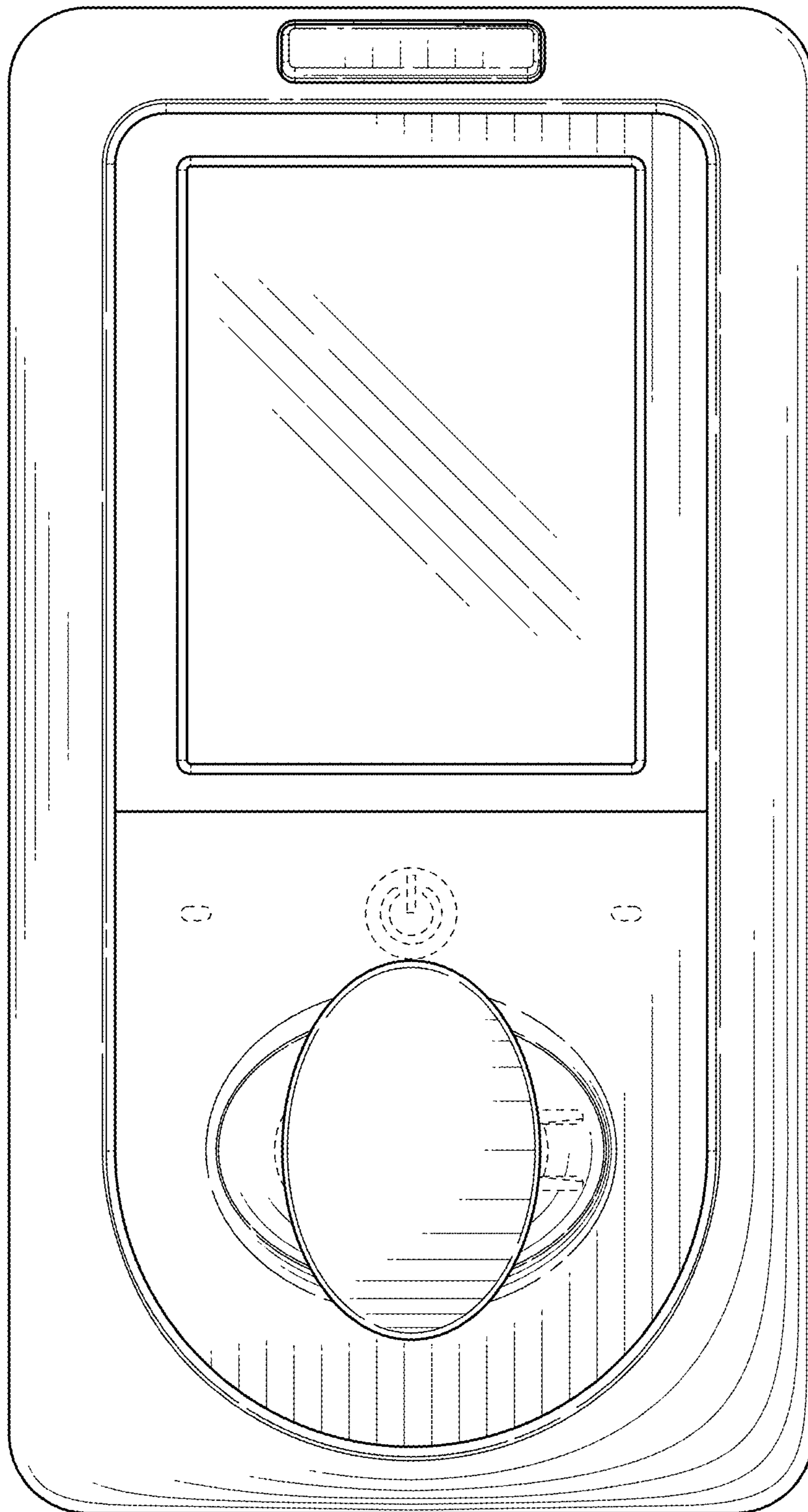


FIG. 16



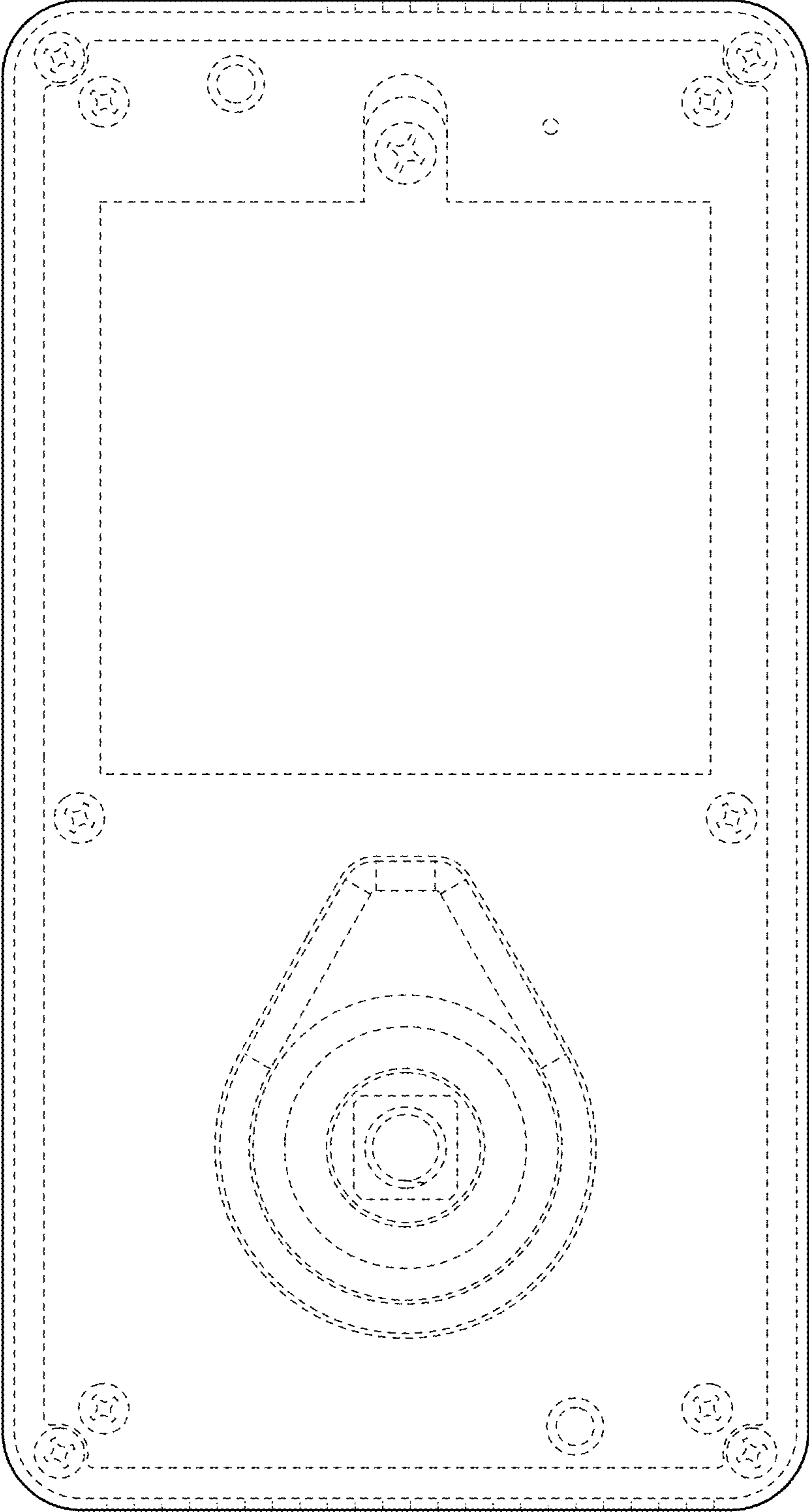


FIG. 17

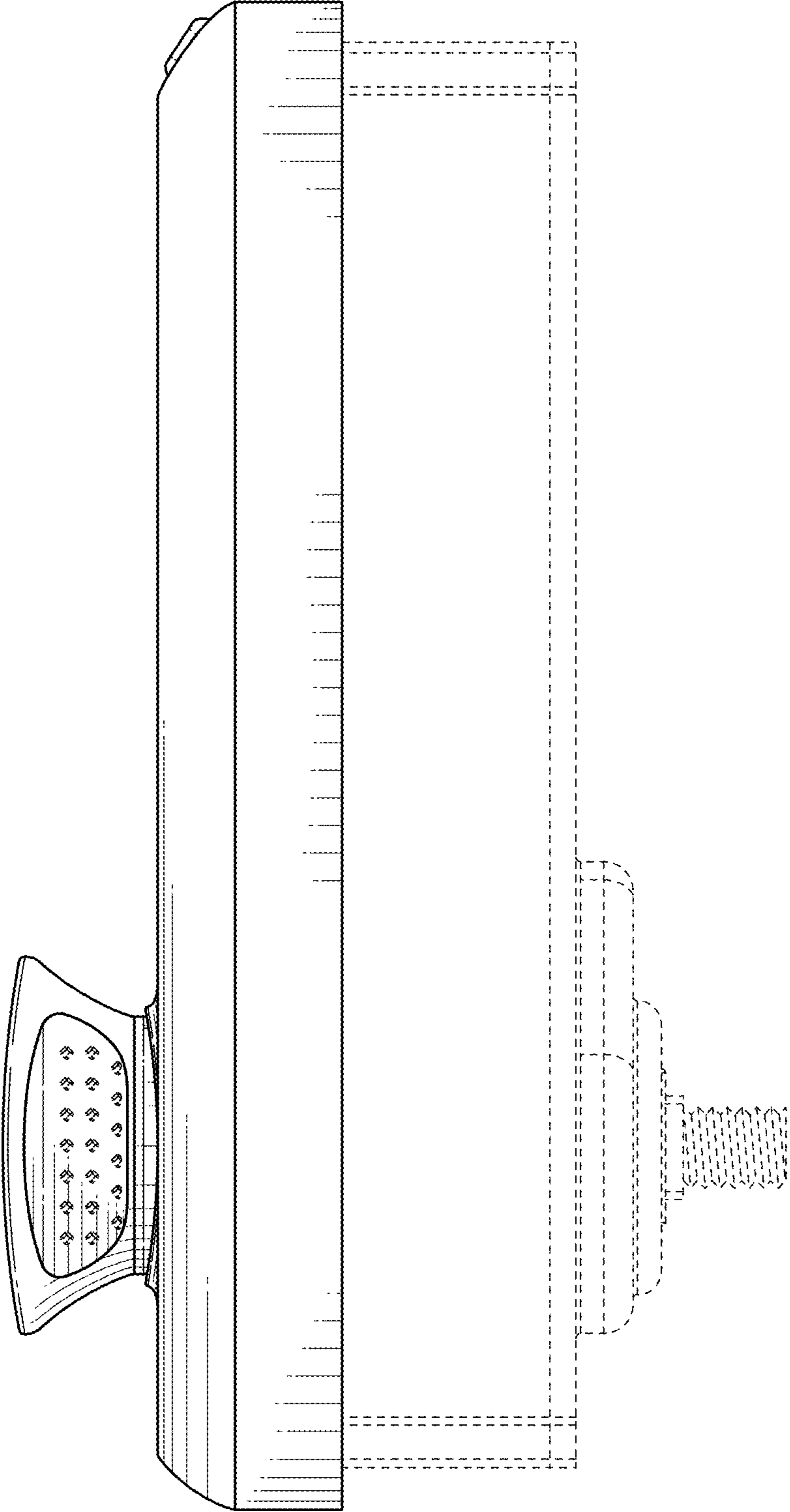


FIG. 18

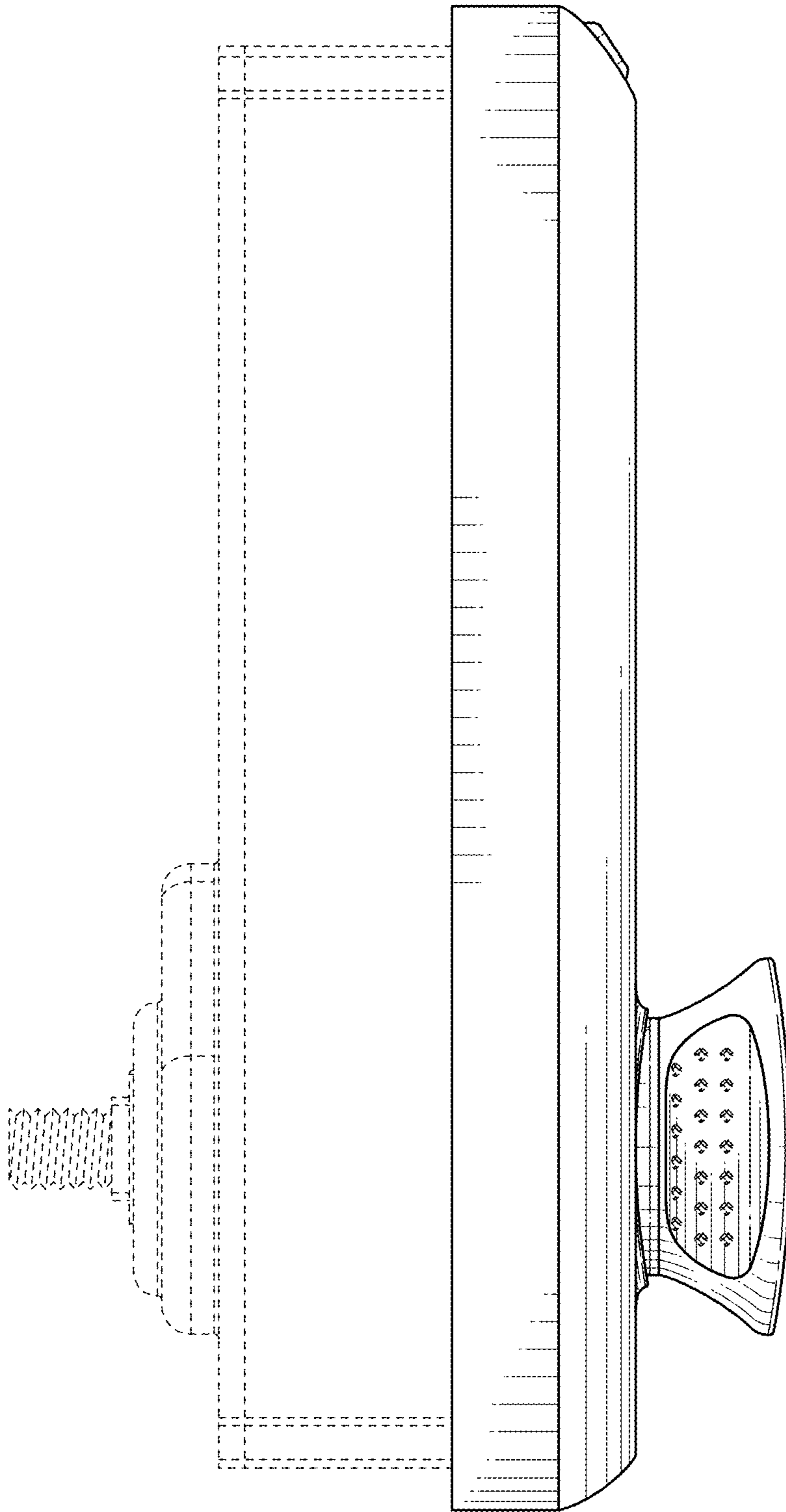


FIG. 19

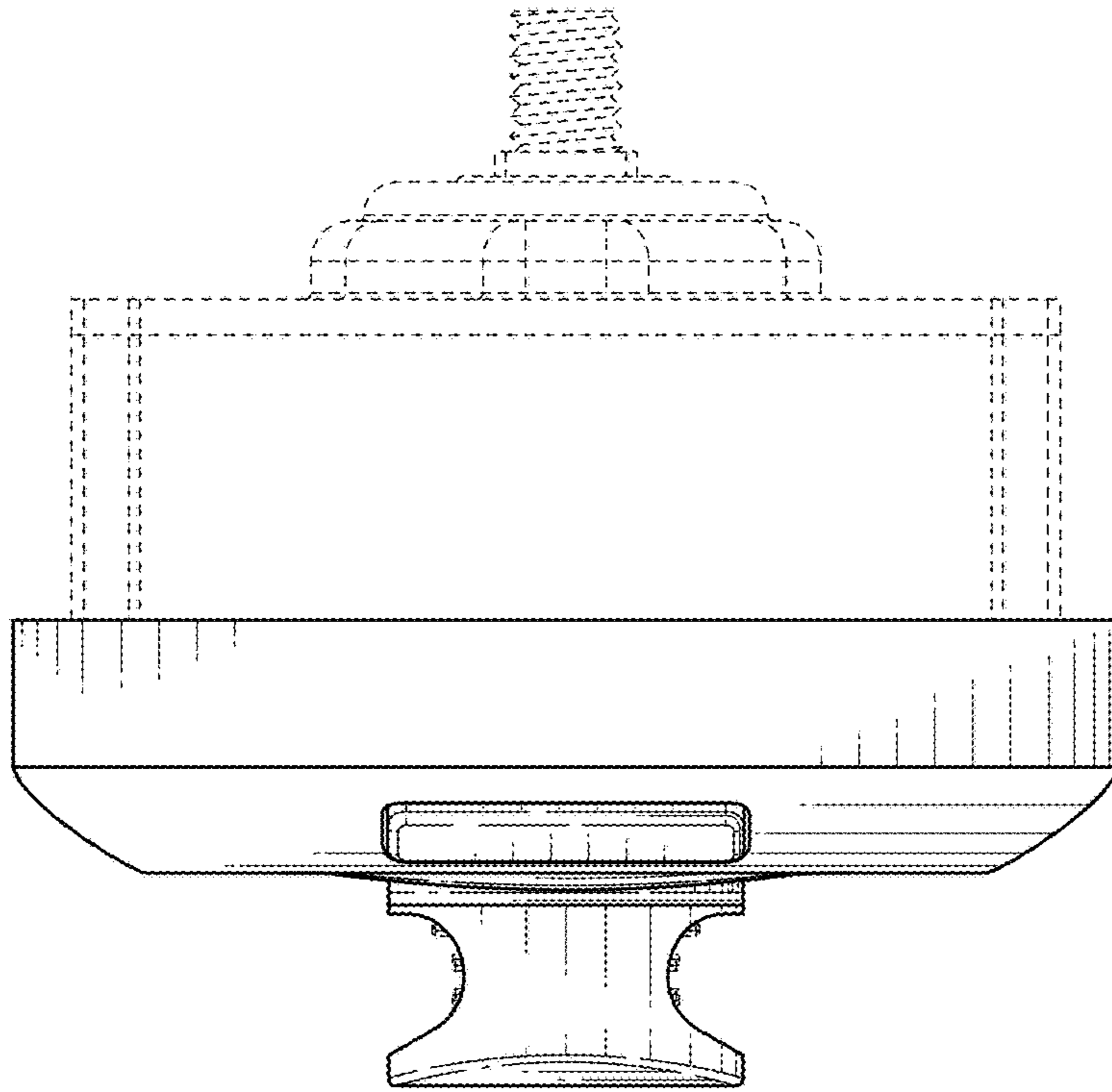


FIG. 20

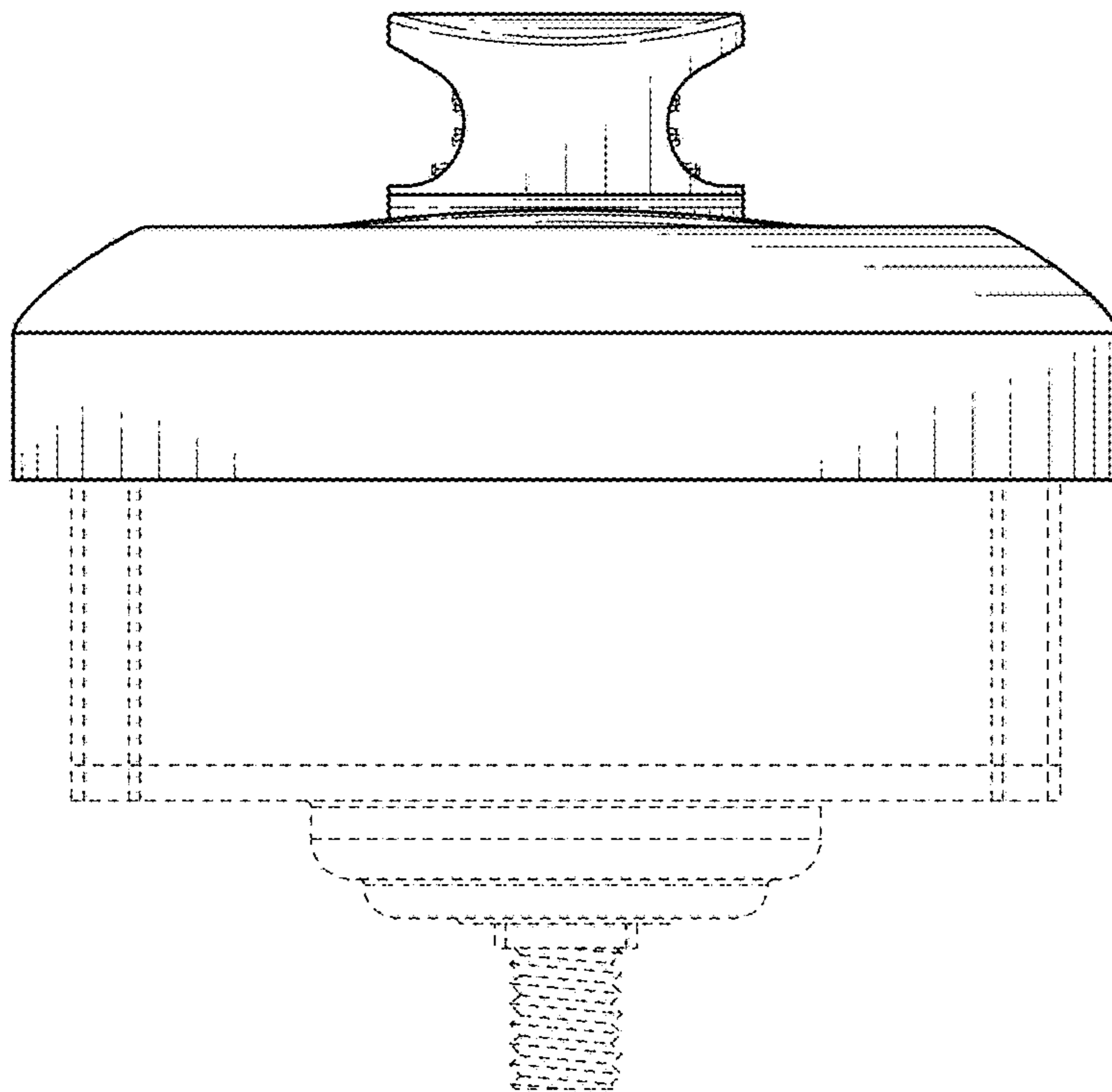


FIG. 21