



US00D837028S

(12) **United States Design Patent** (10) **Patent No.:** **US D837,028 S**
Schweiss (45) **Date of Patent:** **** Jan. 1, 2019**

(54) **HINGE AND SPLICES**
(71) Applicant: **Michael L. Schweiss**, Fairfax, MN (US)
(72) Inventor: **Michael L. Schweiss**, Fairfax, MN (US)
(73) Assignee: **SORREL QUARTERS, LLC**, Hector, MN (US)
(**) Term: **15 Years**
(21) Appl. No.: **29/626,591**
(22) Filed: **Nov. 17, 2017**
(51) **LOC (11) Cl.** **08-06**
(52) **U.S. Cl.**
USPC **D8/323**
(58) **Field of Classification Search**
USPC D8/323, 328; 16/374
CPC .. E05D 1/00; E05D 11/06; E05D 5/10; E05D 3/02; A47K 13/12
See application file for complete search history.

D568,728 S 5/2008 Zadak
D579,754 S * 11/2008 Gleason D8/323
D610,434 S 2/2010 Watts
D611,886 S 3/2010 Peschmann
D611,887 S 3/2010 Peschmann
D619,879 S 7/2010 McCarthy
D631,734 S 2/2011 Fernandez
D637,060 S 5/2011 Mitchell
8,020,253 B1 9/2011 Finkelstein
D658,031 S 4/2012 Mitchell
D695,593 S 12/2013 Nunez Farfan
D698,628 S 2/2014 Stanley
D719,011 S 12/2014 Russo
D728,348 S 5/2015 Munson
(Continued)

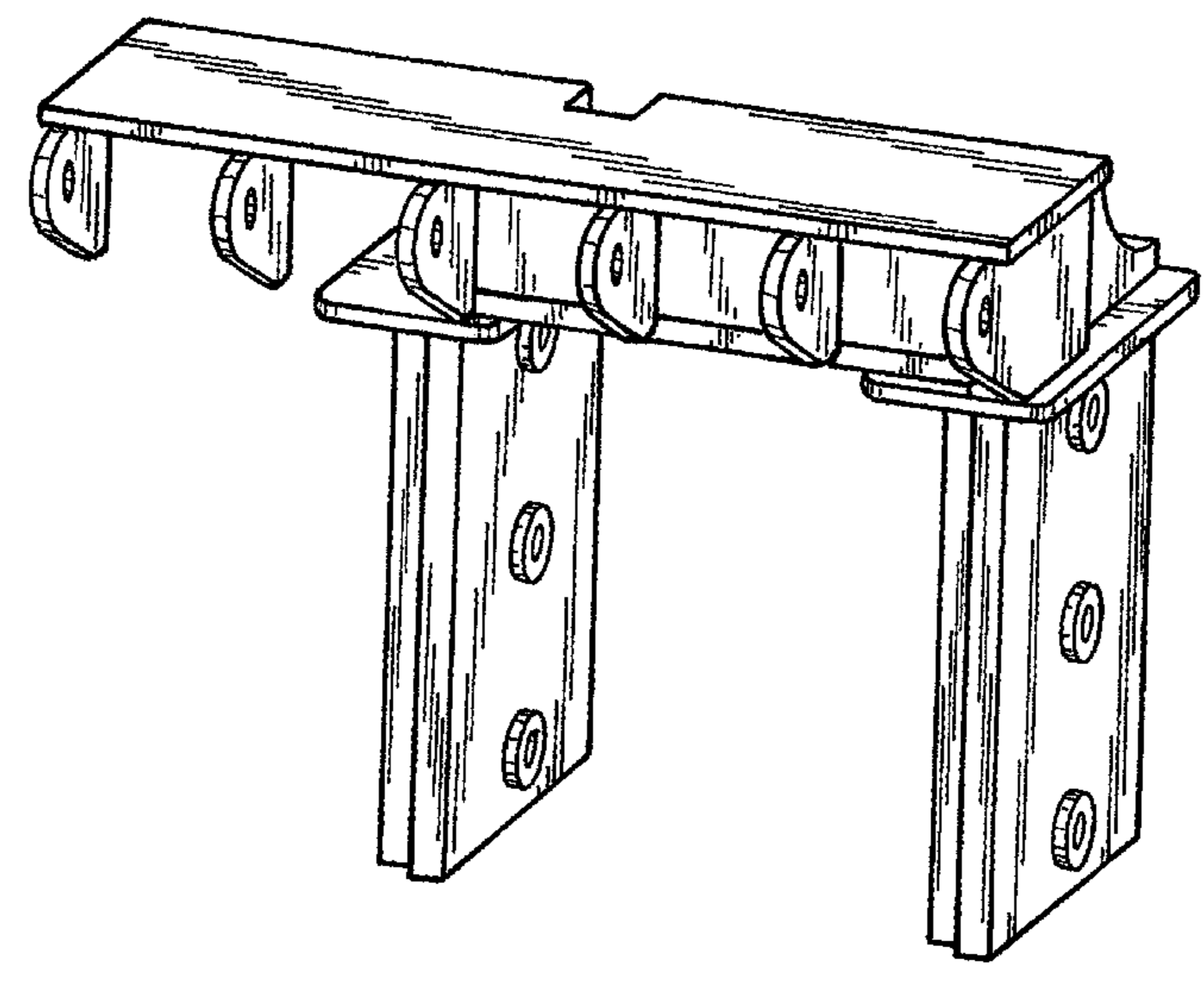
Primary Examiner — Cynthia R Underwood
(74) *Attorney, Agent, or Firm* — Richard John Bartz

(57) **CLAIM**
The ornamental design of a hinge and splices, as shown and described.

DESCRIPTION
FIG. 1 is a perspective view of a first embodiment of the hinge and splices of my design;
FIG. 2 is a front elevational view thereof;
FIG. 3 is a top plan view thereof;
FIG. 4 is a bottom plan view thereof;
FIG. 5 is a right side elevational view thereof;
FIG. 6 is a left side elevational view thereof;
FIG. 7 is a rear elevational view thereof;
FIG. 8 is a perspective view of a second embodiment of the hinge and splices of my design;
FIG. 9 is a front elevational view of FIG. 8;
FIG. 10 is a top plan view of FIG. 8;
FIG. 11 is a bottom plan view of FIG. 8;
FIG. 12 is a right side elevational view of FIG. 8;
FIG. 13 is a left side elevational view of FIG. 8; and,
FIG. 14 is a rear elevational view of FIG. 8.

1 Claim, 6 Drawing Sheets

(56) **References Cited**
U.S. PATENT DOCUMENTS
4,295,512 A 10/1981 Johnson
D289,605 S 5/1987 Lytle
5,343,923 A 9/1994 Keller
D383,430 S 9/1997 Jeffries
D437,282 S 2/2001 Joll
6,199,617 B1 3/2001 Schweiss
D474,958 S 5/2003 Perdue
D478,801 S 8/2003 Spruill
D500,441 S 1/2005 Senn
6,866,080 B2 3/2005 Schweiss
6,883,273 B2 4/2005 Kerkvliet
7,007,905 B2 3/2006 Roberts
D523,322 S * 6/2006 Thurston D8/323
7,219,711 B2 5/2007 Keller
D548,051 S 8/2007 Ruppert



(56)

References Cited

U.S. PATENT DOCUMENTS

D748,966	S	2/2016	Morinaga	
D749,394	S	2/2016	Morinaga	
D761,077	S *	7/2016	Schweiss	D8/323
D761,078	S *	7/2016	Schweiss	D8/323
D761,634	S *	7/2016	Schweiss	D8/323
D768,461	S *	10/2016	Mirick	D8/323
D769,695	S *	10/2016	Gleason	D8/323
D780,553	S *	3/2017	Tung	D8/323
D803,758	S *	11/2017	Giordano	D12/223
D814,903	S *	4/2018	Schweiss	D8/323
2001/0034915	A1	11/2001	Preston	
2002/0092102	A1	7/2002	Lounsbury	
2005/0044645	A1	3/2005	Gleason	
2009/0241293	A1	10/2009	Swerdlick	
2011/0225895	A1	9/2011	Peterson	
2017/0074025	A1	3/2017	Schweiss	

* cited by examiner

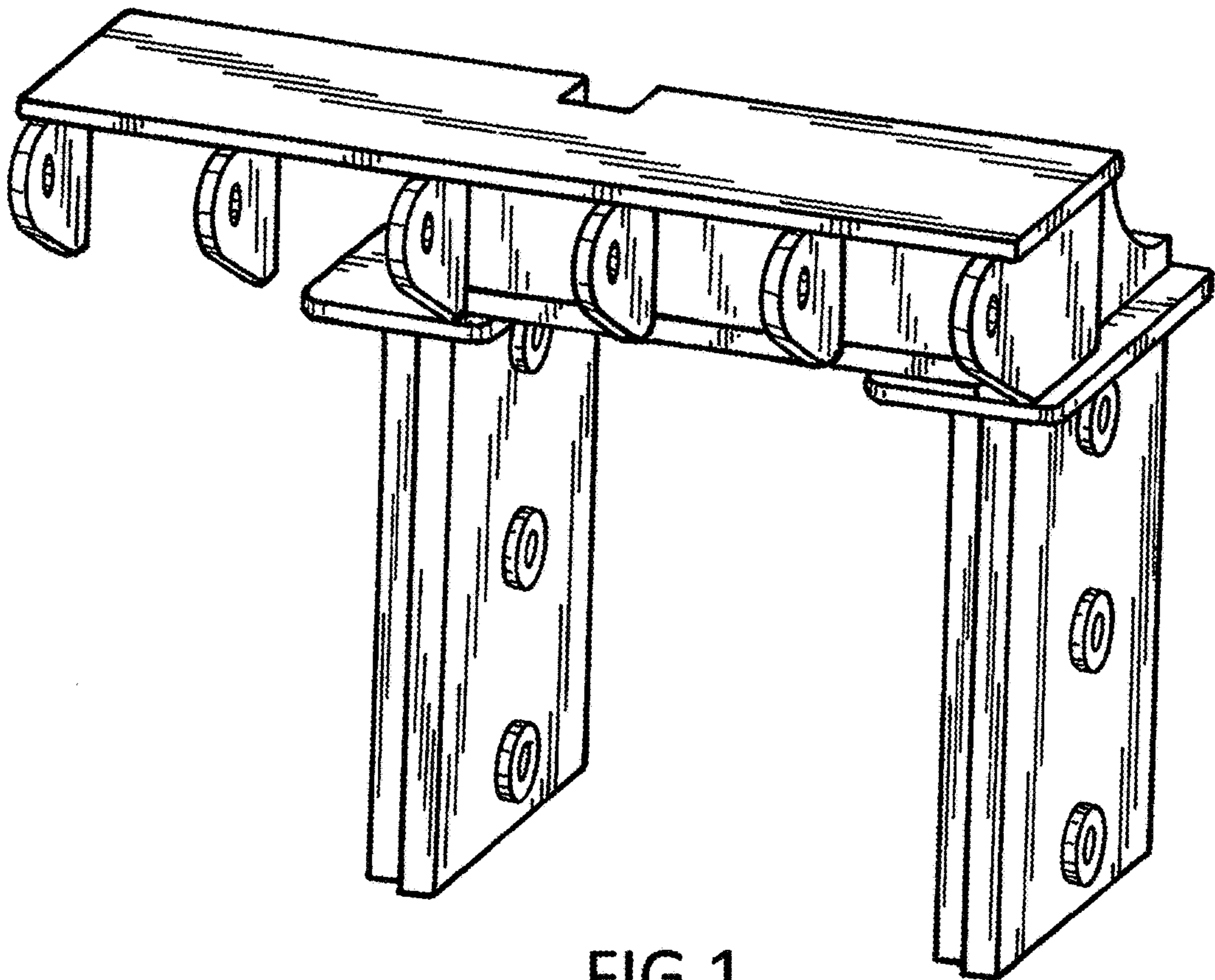


FIG. 1

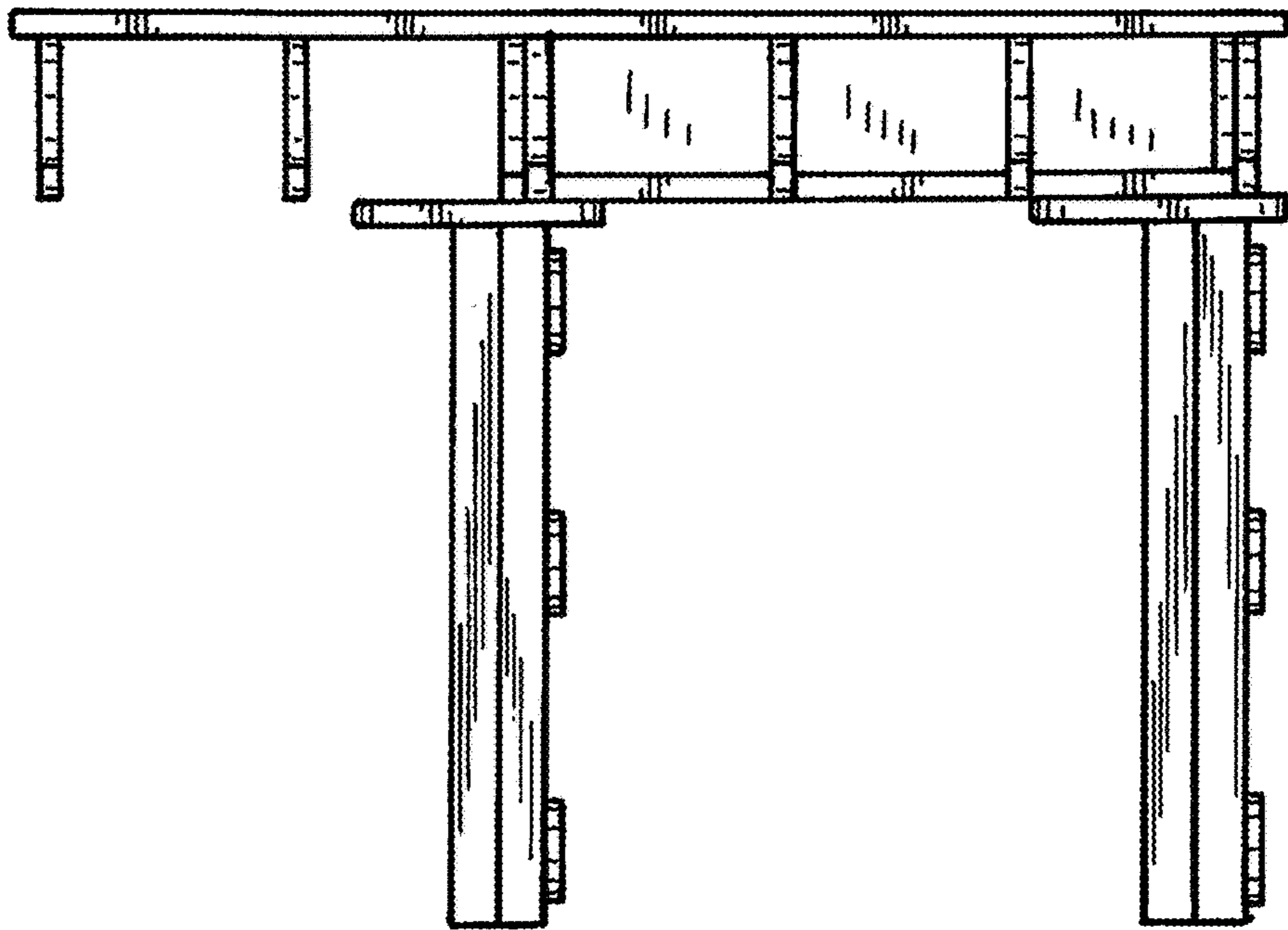


FIG. 2

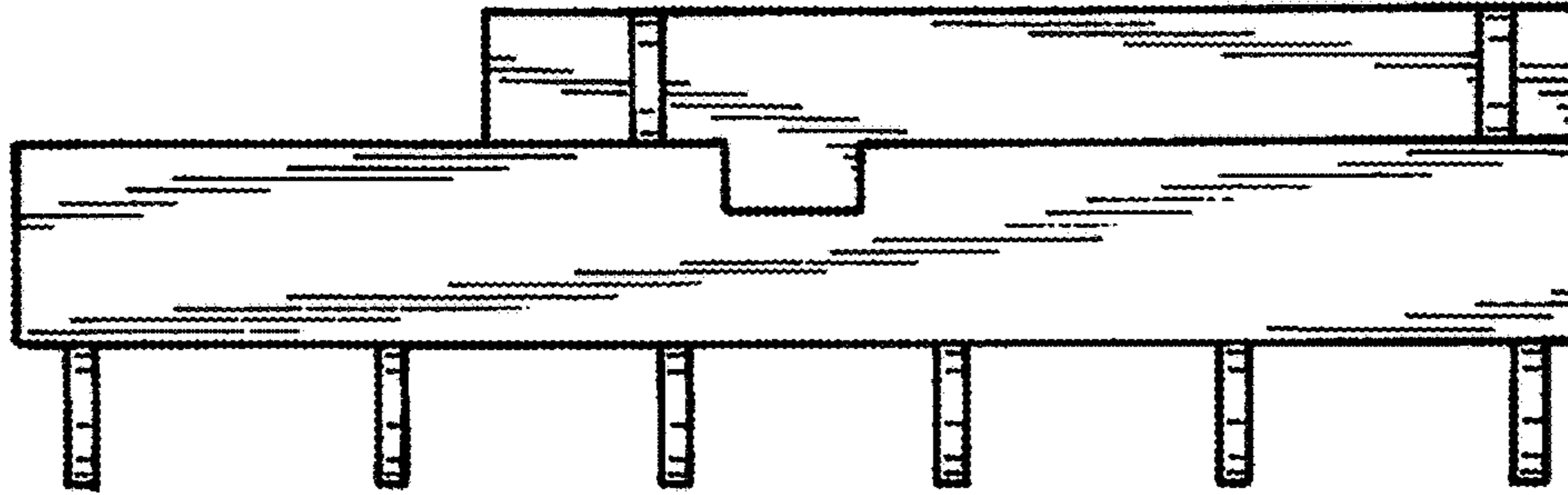


FIG.3

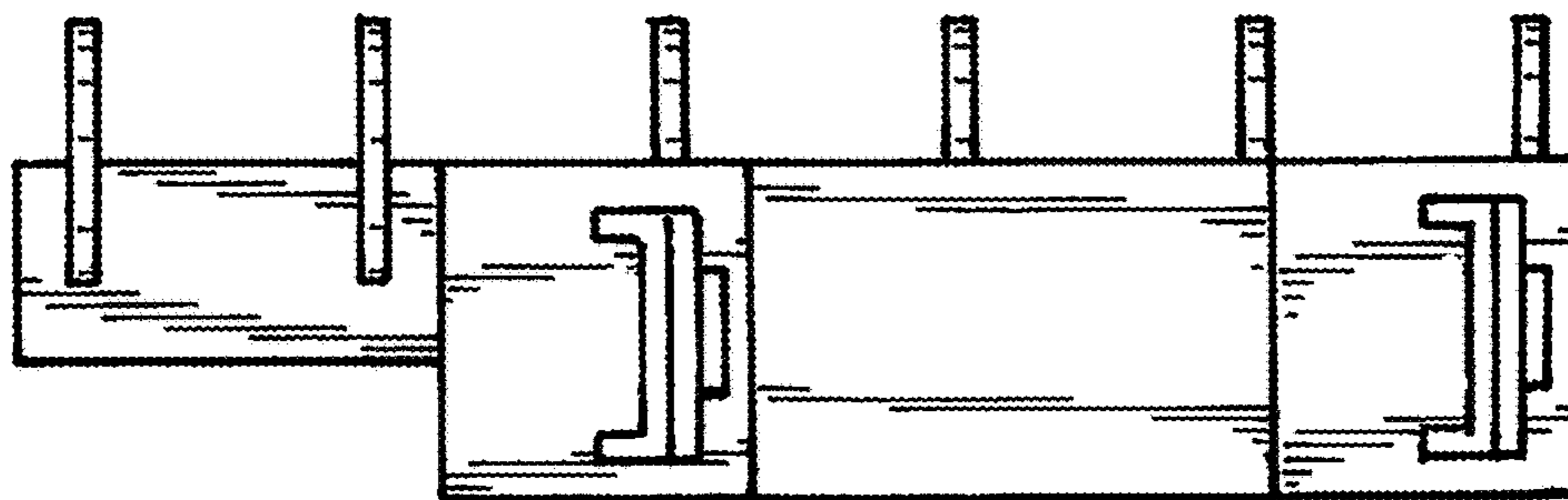


FIG.4

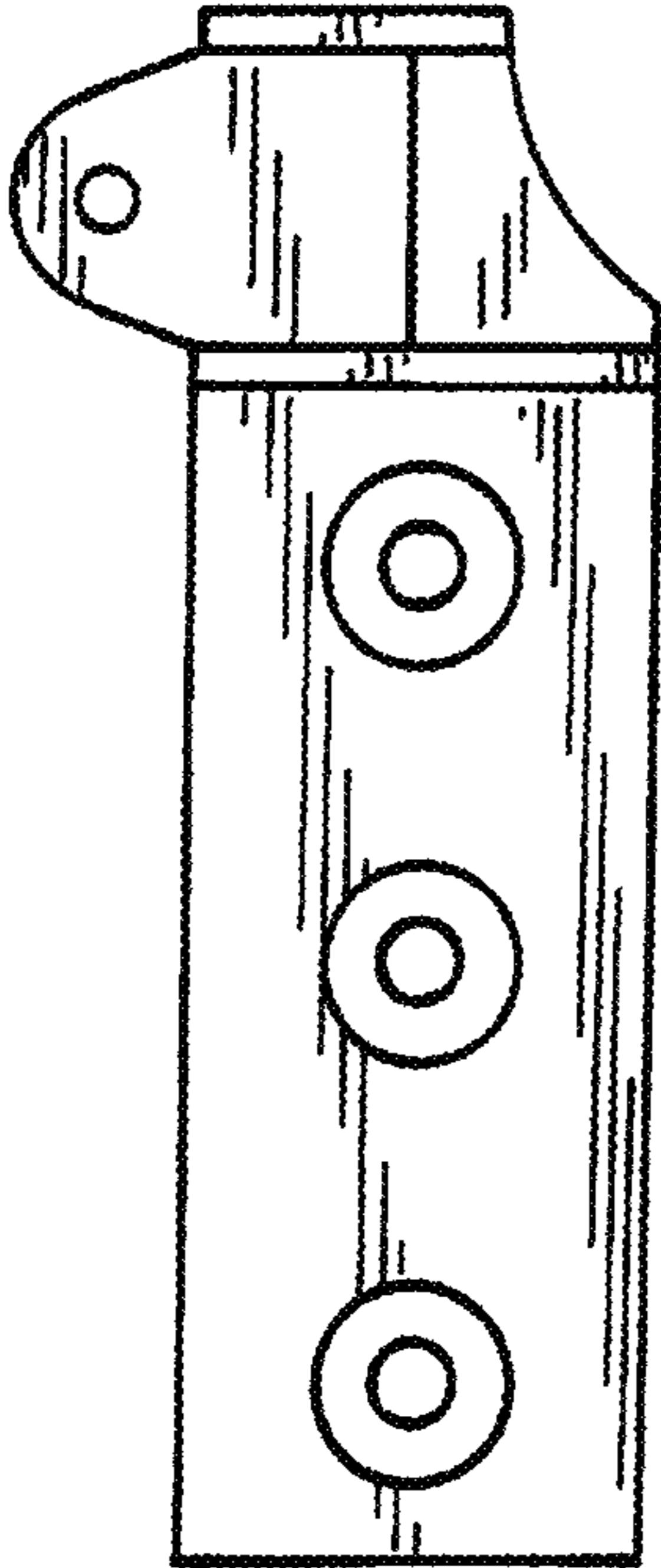


FIG. 5

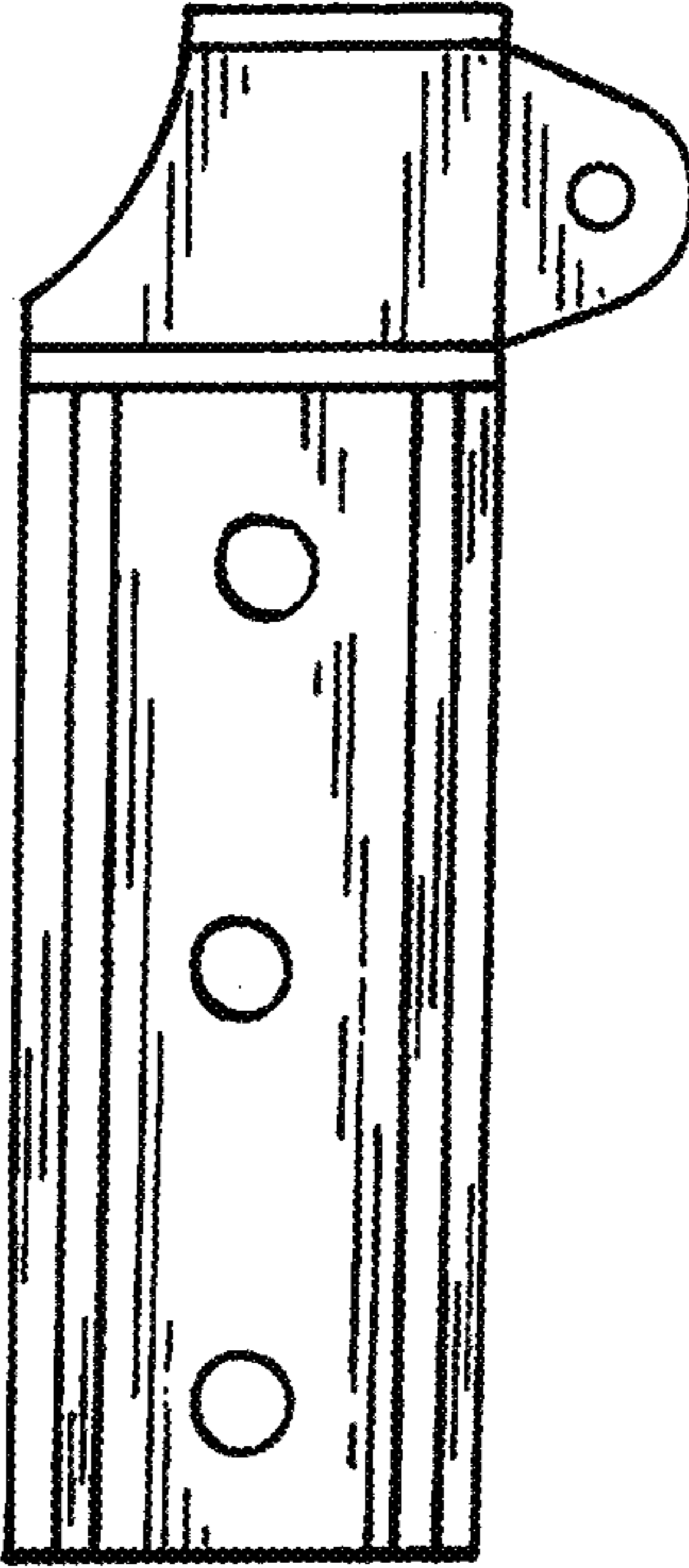


FIG. 6

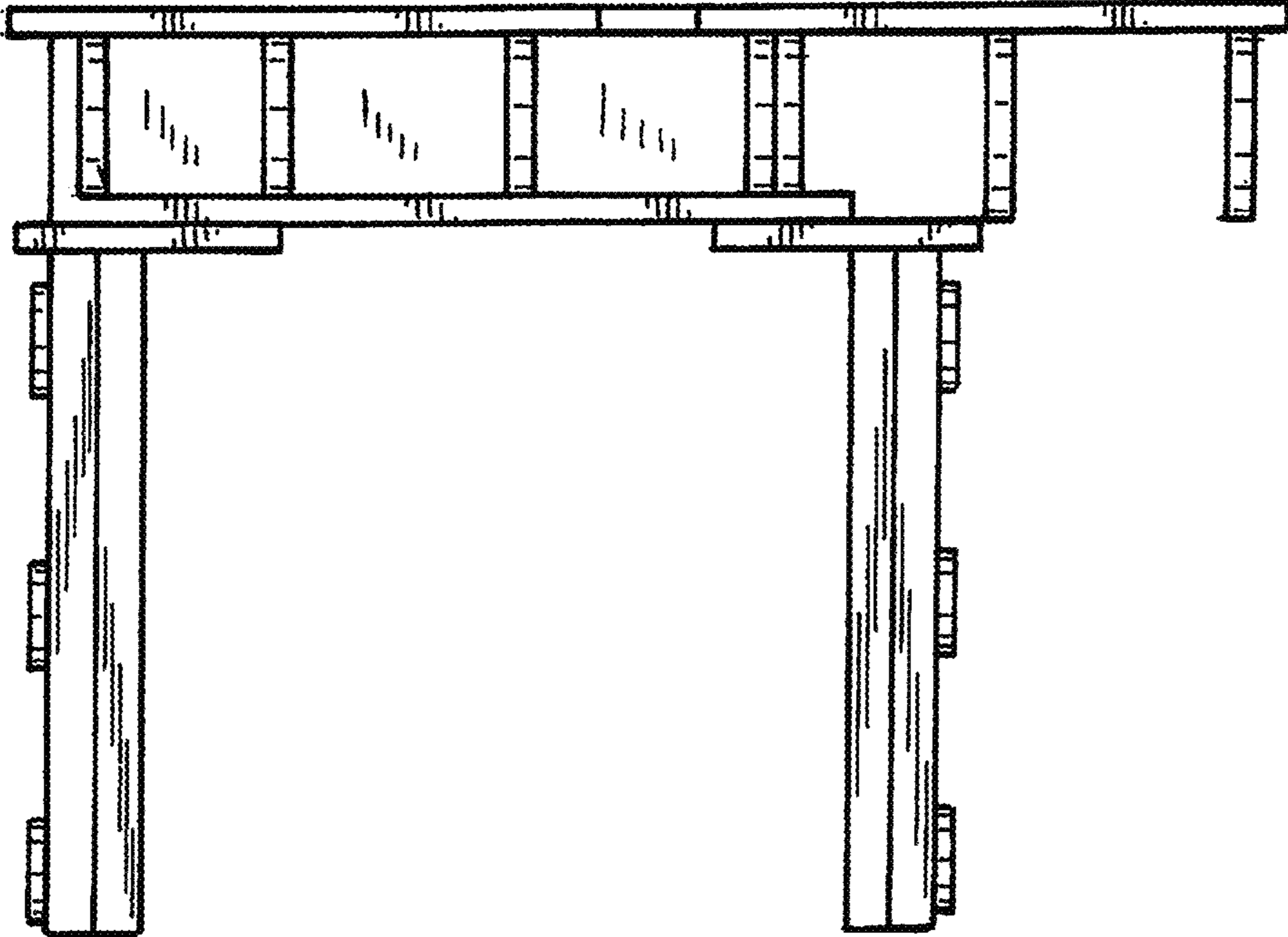


FIG. 7

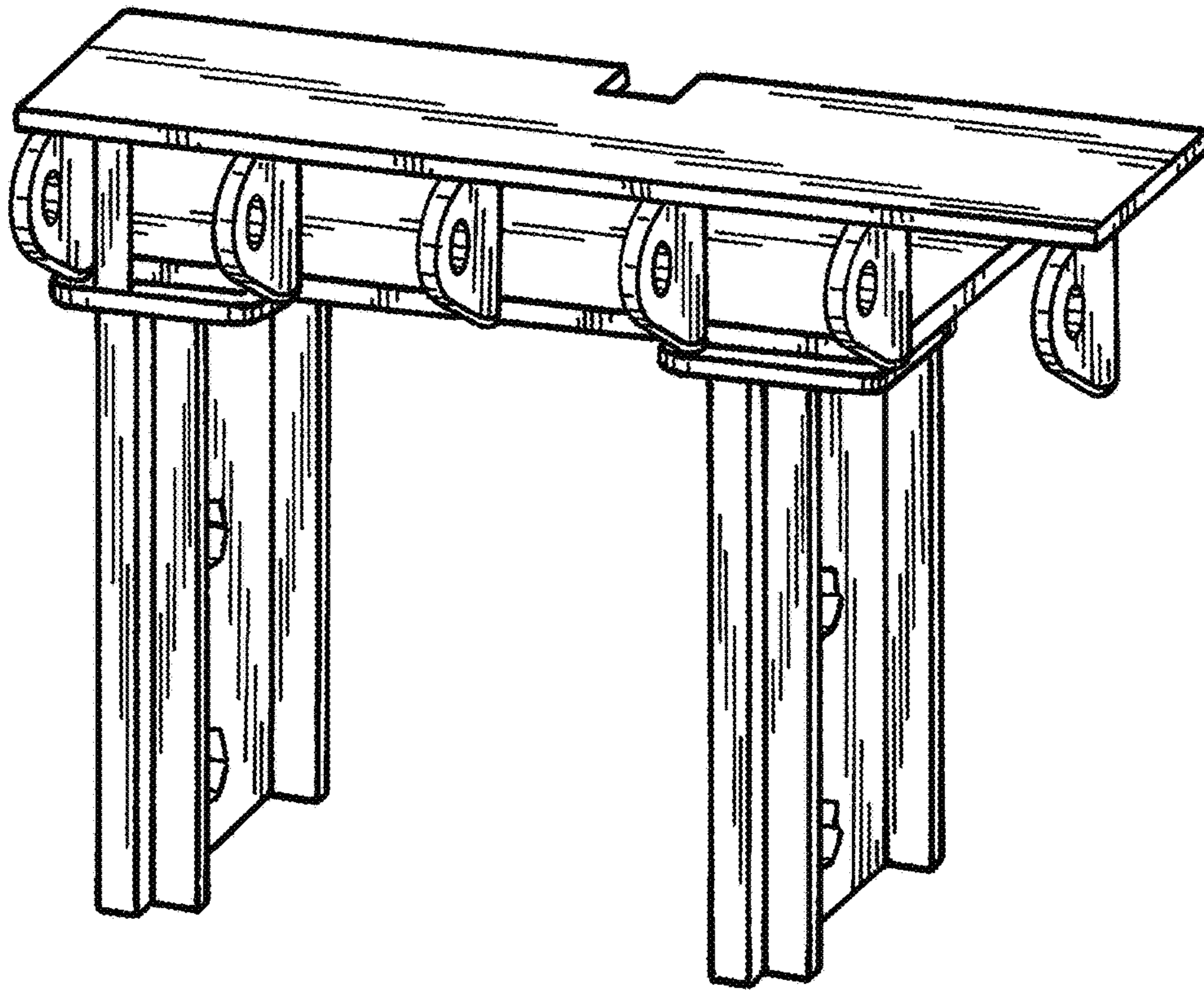


FIG. 8

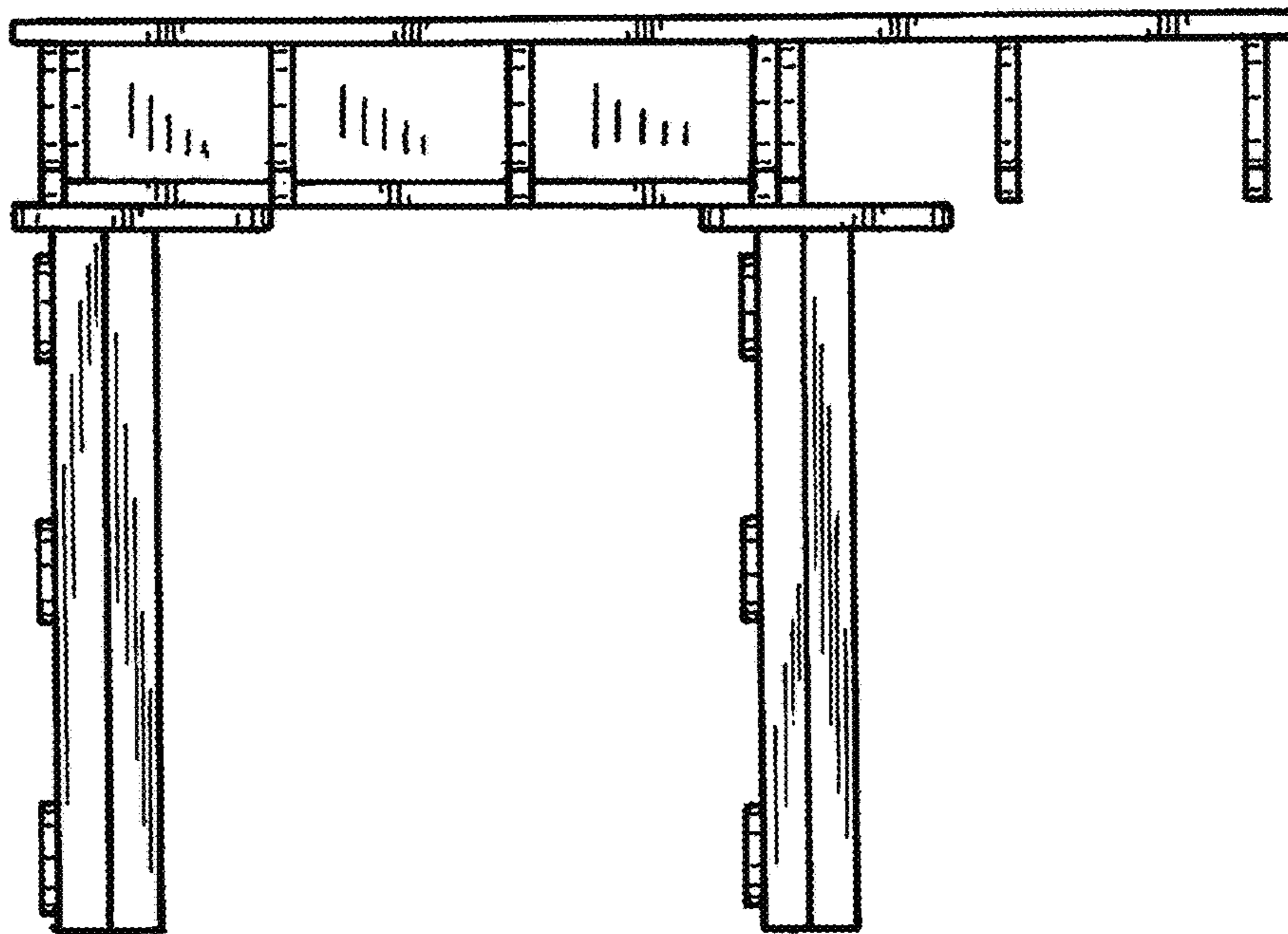


FIG. 9

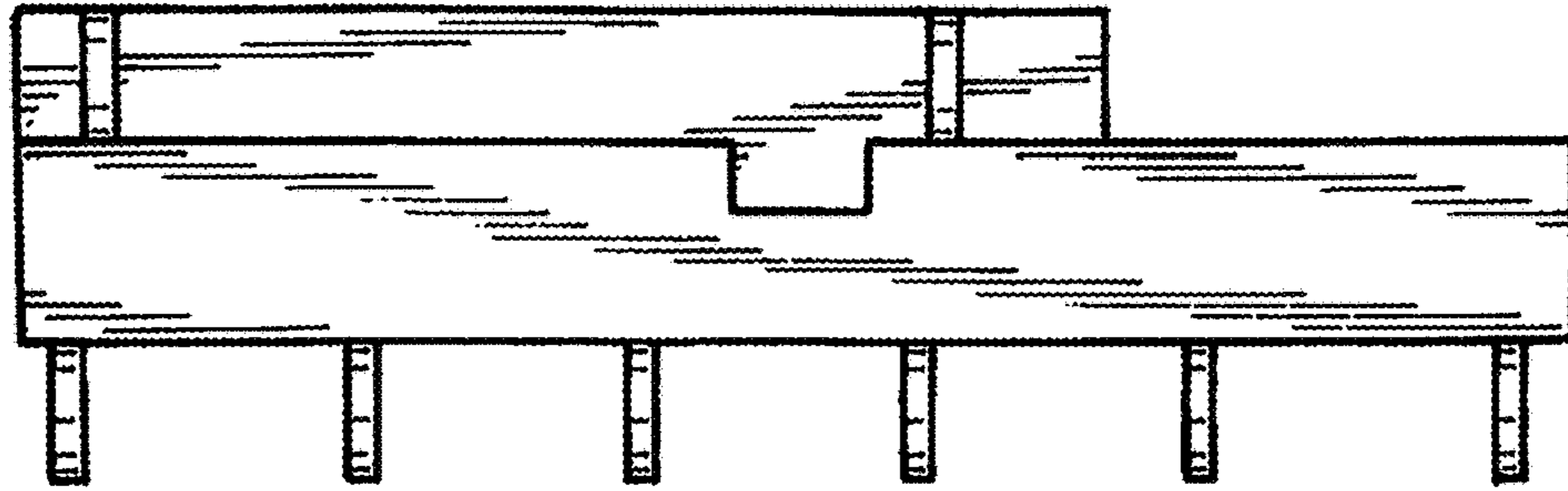


FIG.10

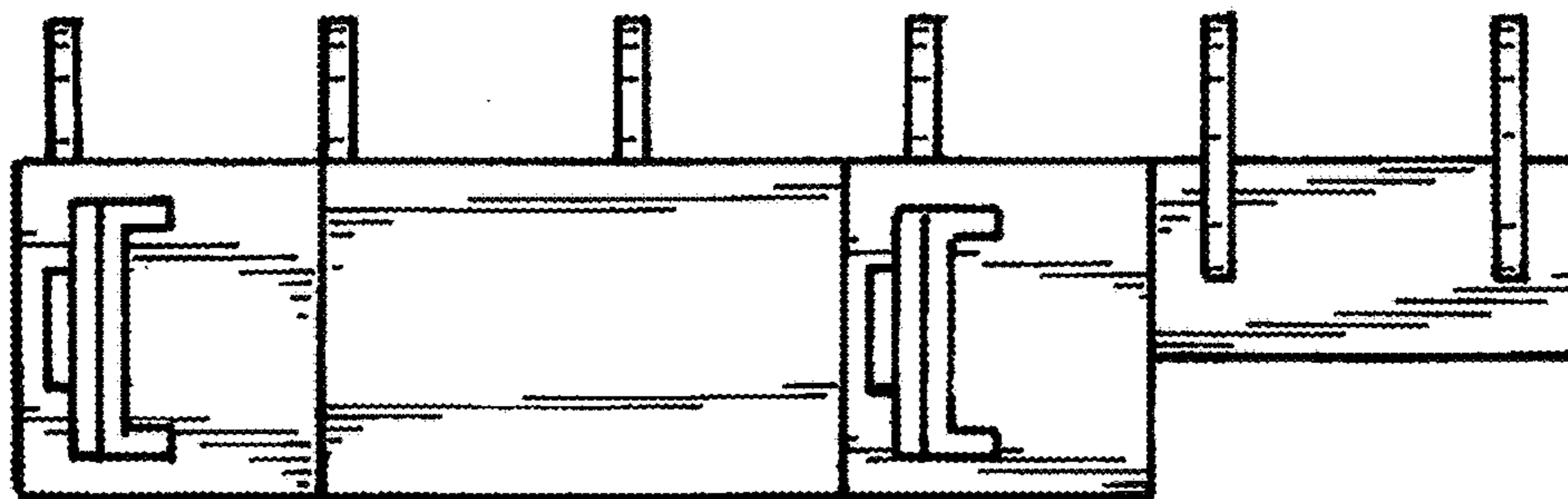


FIG.11

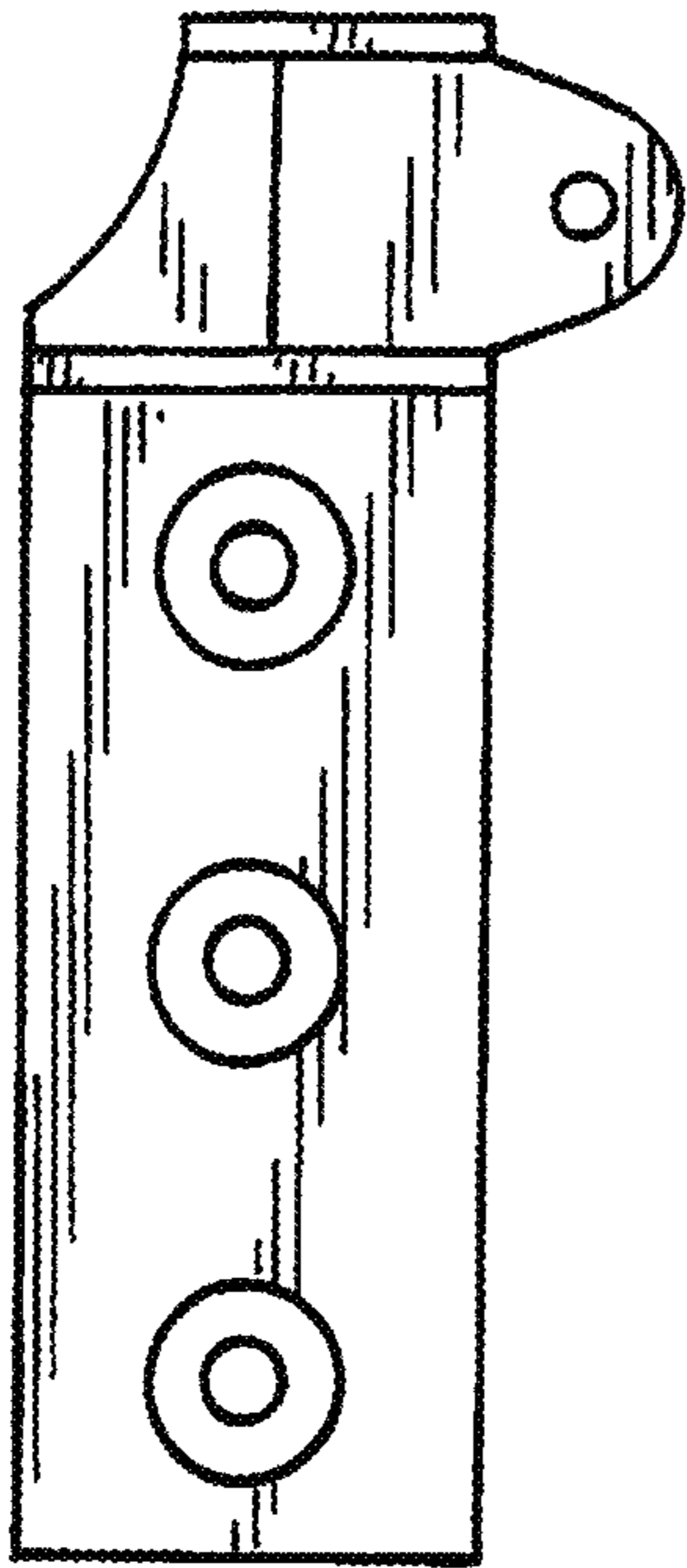


FIG. 12

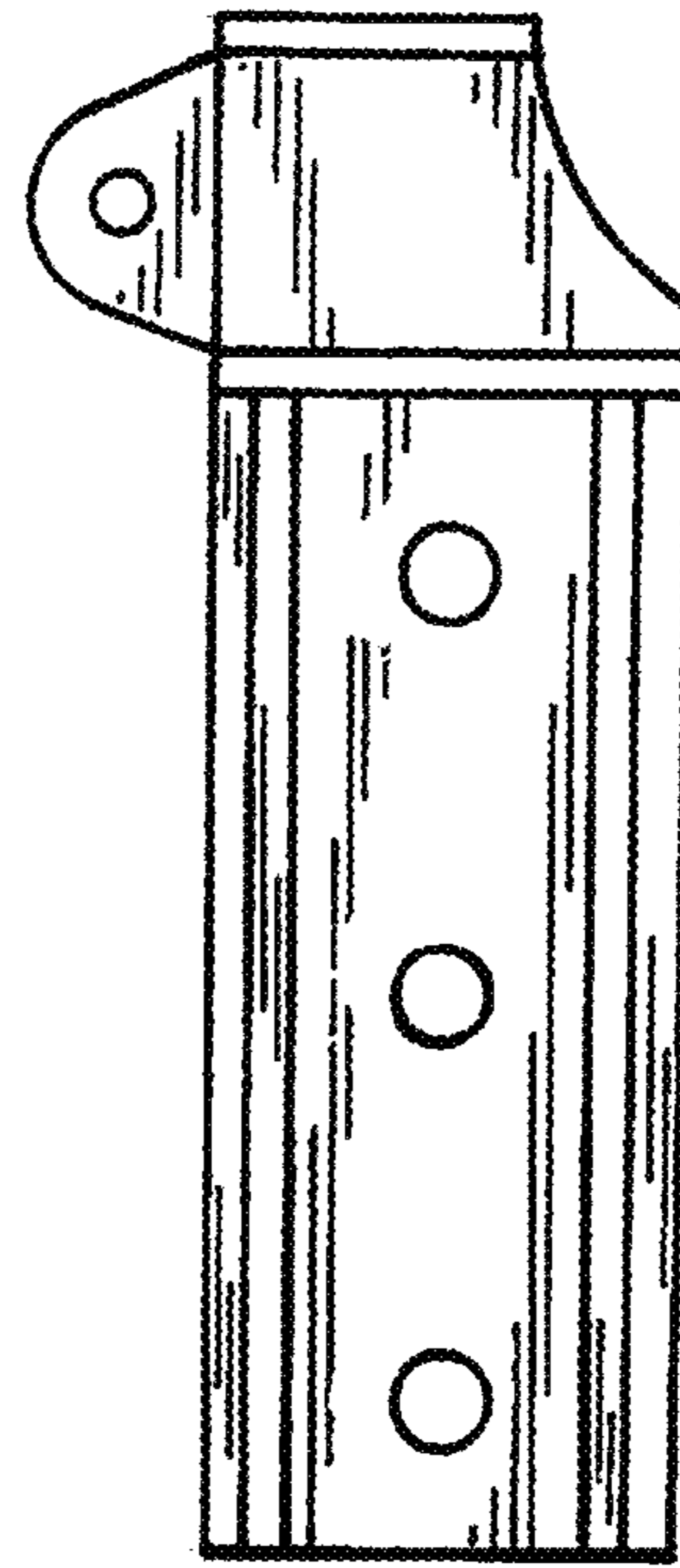


FIG. 13

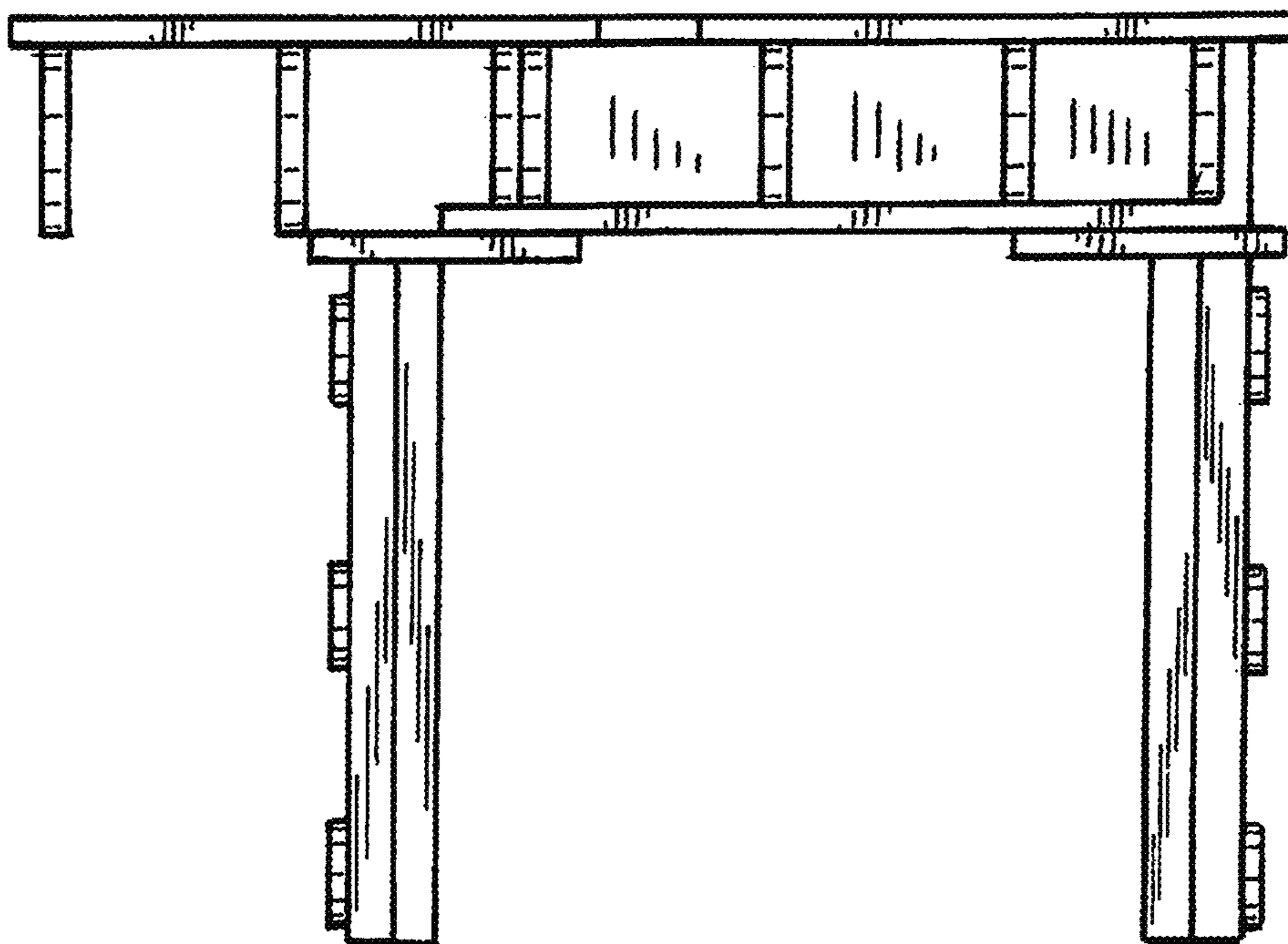


FIG. 14