



US00D837027S

(12) **United States Design Patent** (10) **Patent No.:** **US D837,027 S**  
**Christensen et al.** (45) **Date of Patent:** **\*\* Jan. 1, 2019**

(54) **HINGE**

(71) Applicant: **A & K HINGES, LLC**, Salt Lake City, UT (US)

(72) Inventors: **Jason F. Christensen**, South Jordan, UT (US); **Brent B. Osborne**, Salt Lake City, UT (US)

(73) Assignee: **A & K HINGES, LLC**, Salt Lake City, UT (US)

(\*\*) Term: **15 Years**

(21) Appl. No.: **29/604,067**

(22) Filed: **May 15, 2017**

**Related U.S. Application Data**

(62) Division of application No. 29/533,717, filed on Jul. 21, 2015, now Pat. No. Des. 790,317.

(51) **LOC (11) Cl.** ..... **08-06**

(52) **U.S. Cl.**  
USPC ..... **D8/323**

(58) **Field of Classification Search**  
USPC ..... D8/323, 328

(Continued)

(56) **References Cited**

**U.S. PATENT DOCUMENTS**

1,620,701 A 3/1927 Teich  
2,488,688 A 11/1949 Simmons

(Continued)

**OTHER PUBLICATIONS**

U.S. Appl. No. 29/533,717, filed Jul. 21, 2015, Christensen.

(Continued)

*Primary Examiner* — Cynthia R Underwood

(74) *Attorney, Agent, or Firm* — Workman Nydegger

(57) **CLAIM**

The ornamental design for a hinge, as shown and described.

**DESCRIPTION**

FIG. 1 is a first perspective view of a hinge according to the present invention;

FIG. 2 is a second, opposite perspective view of the hinge of FIG. 1;

FIG. 3 is a front view of the hinge of FIG. 2;

FIG. 4 is a back view of the hinge of FIG. 2;

FIG. 5 is a first side view of the hinge of FIG. 2;

FIG. 6 is a second, opposite side view of the hinge of FIG. 2;

FIG. 7 is a top view of the hinge of FIG. 2;

FIG. 8 is a bottom view of the hinge of FIG. 2;

FIG. 9 is a similar perspective view to that shown in FIG. 1, but in which the hinge is closed;

FIG. 10 is a first perspective view of a second embodiment of a hinge according to the present invention;

FIG. 11 is a second, opposite perspective view of the hinge of FIG. 10;

FIG. 12 is a front view of the hinge of FIG. 11;

FIG. 13 is a back view of the hinge of FIG. 11;

FIG. 14 is a first side view of the hinge of FIG. 11;

FIG. 15 is a second, opposite side view of the hinge of FIG. 11;

FIG. 16 is a top view of the hinge of FIG. 11;

FIG. 17 is a bottom view of the hinge of FIG. 11;

FIG. 18 is a similar perspective view to that shown in FIG. 10, but in which the hinge is closed;

FIG. 19 is a first perspective view of a third embodiment of a hinge according to the present invention;

FIG. 20 is a second, opposite perspective view of the hinge of FIG. 19;

FIG. 21 is a front view of the hinge of FIG. 20;

FIG. 22 is a back view of the hinge of FIG. 20;

FIG. 23 is a first side view of the hinge of FIG. 20;

FIG. 24 is a second, opposite side view of the hinge of FIG. 20;

FIG. 25 is a top view of the hinge of FIG. 20;

FIG. 26 is a bottom view of the hinge of FIG. 20; and,

(Continued)

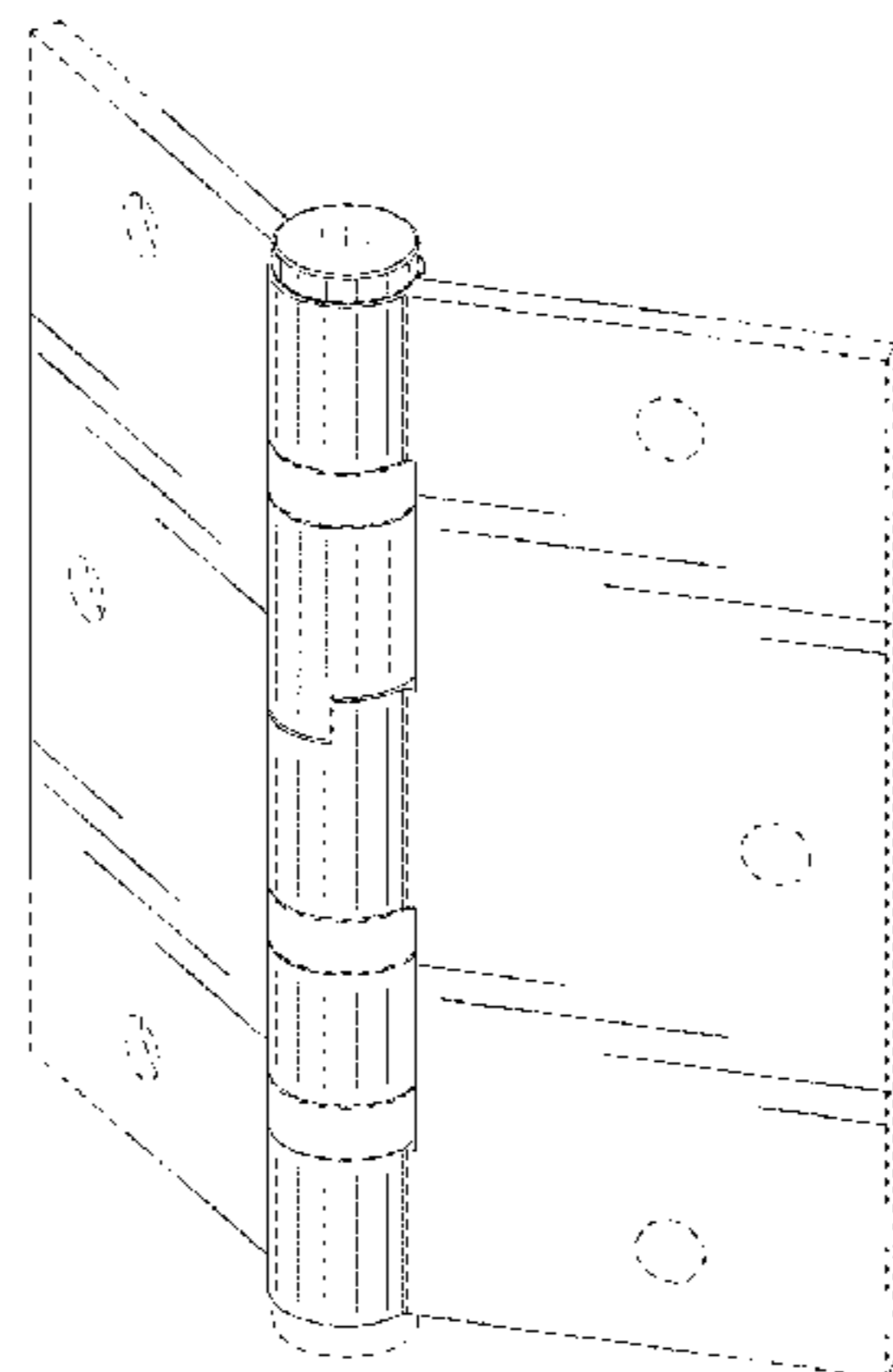


FIG. 27 is a similar perspective view to that shown in FIG. 19, but in which the hinge is closed.

The broken lines shown are directed to environmental structure and are for illustrative purposes only. The broken lines form no part of the claimed design.

**1 Claim, 9 Drawing Sheets**

(58) **Field of Classification Search**

CPC .. E05D 1/00; E05D 11/06; E05D 5/10; E05D 3/02; A47K 13/12

See application file for complete search history.

(56) **References Cited**

U.S. PATENT DOCUMENTS

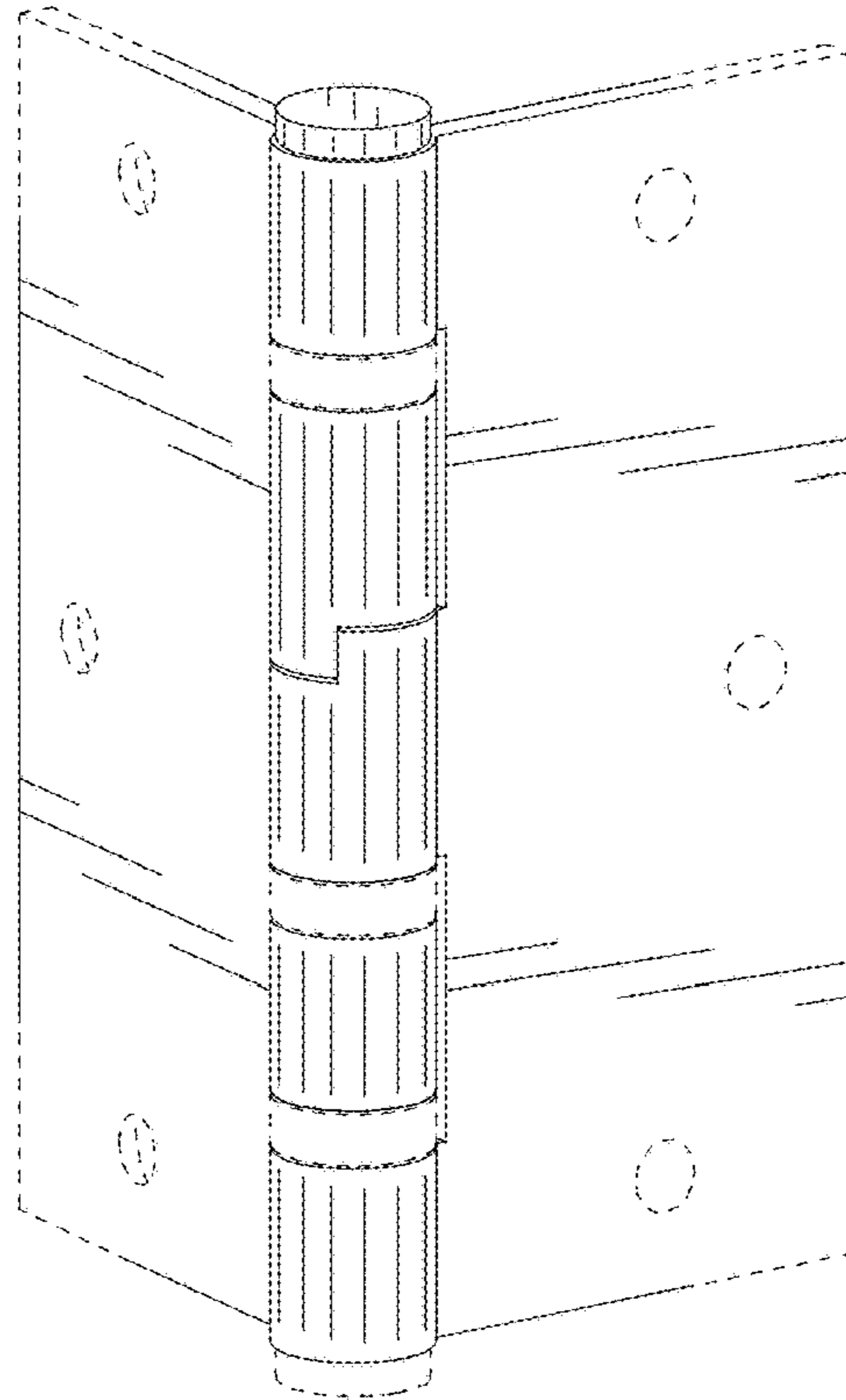
2,803,850	A	8/1957	Hooper	
2,930,075	A	3/1960	Deutchman	
3,538,539	A *	11/1970	Allison	..... E05D 11/06 16/375
3,965,533	A	6/1976	Frohlich	
5,173,993	A	12/1992	Baker	
5,265,922	A *	11/1993	Falcone	..... E05C 17/025 16/375
5,311,644	A *	5/1994	Laforgerie	..... E05D 11/1071 16/250
D376,971	S	12/1996	Schutz	
5,727,289	A *	3/1998	Reder	..... E05F 5/06 16/375
5,765,263	A	6/1998	Bolinas	
5,799,370	A *	9/1998	Davidian	..... E05D 7/0415 16/236
6,212,734	B1	4/2001	Commons	
6,353,967	B1 *	3/2002	Escobar	..... E05D 3/02 16/331
6,591,453	B2	7/2003	Jenks	

7,000,290	B1	2/2006	Ace	
7,162,774	B1	1/2007	Von Resch	
7,328,480	B2	2/2008	Schoemann	
D584,130	S	1/2009	Bertani	
7,676,887	B2	3/2010	Chung	
D622,576	S	8/2010	Farkas	
7,861,374	B2	1/2011	Verdicchio	
7,891,055	B1	2/2011	Combs	
D636,251	S	4/2011	Herglotz	
D644,499	S	9/2011	Herglotz	
8,099,834	B2 *	1/2012	Corso	..... E05D 5/12 16/342
8,307,513	B1	11/2012	Fitzgerald	
8,707,518	B2	4/2014	Branning	
8,739,366	B2	6/2014	Heninger	
D710,181	S	8/2014	Christensen	
D726,525	S	4/2015	Denerly	
9,416,572	B2 *	8/2016	Tolliver	..... E05D 5/10
D816,460	S *	5/2018	Branning	..... D8/328
2007/0067959	A1	3/2007	Smith	
2009/0151124	A1 *	6/2009	Forrest	..... E05D 5/14 16/374
2012/0240354	A1 *	9/2012	Heninger	..... E05D 5/10 16/374
2013/0104341	A1	5/2013	Kenerly	
2013/0104345	A1 *	5/2013	Granberry	..... E05D 11/06 16/374
2013/0219664	A1 *	8/2013	Burda	..... E05D 11/06 16/374
2016/0160545	A1	6/2016	Tolliver	

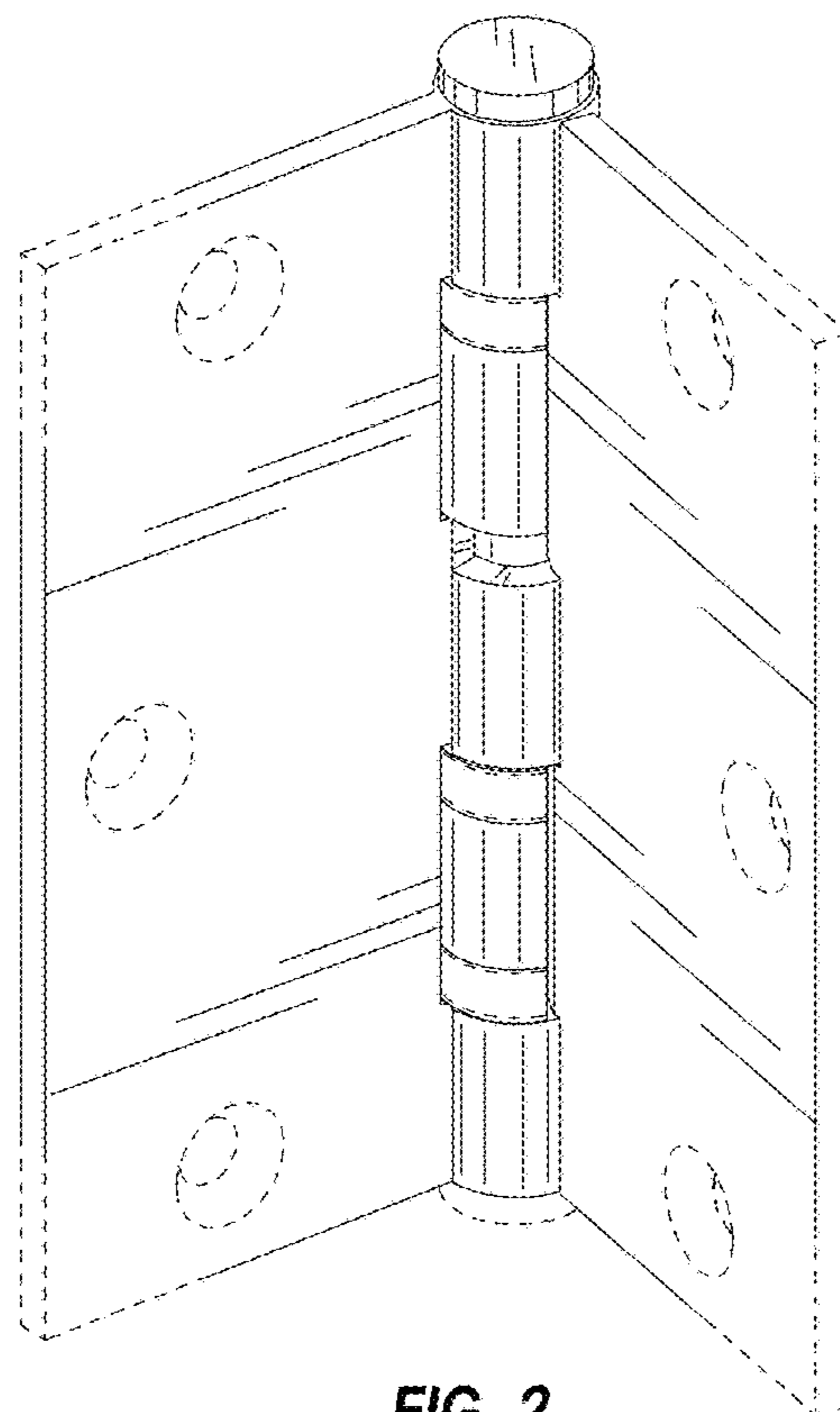
OTHER PUBLICATIONS

U.S. Appl. No. 29/423,502, filed Apr. 17, 2014, Notice of Allowance.  
 U.S. Appl. No. 29/533,717, filed Dec. 14, 2016, Restriction Requirement.  
 U.S. Appl. No. 29/533,717, filed Mar. 28, 2017, Notice of Allowance.

\* cited by examiner



**FIG. 1**



**FIG. 2**

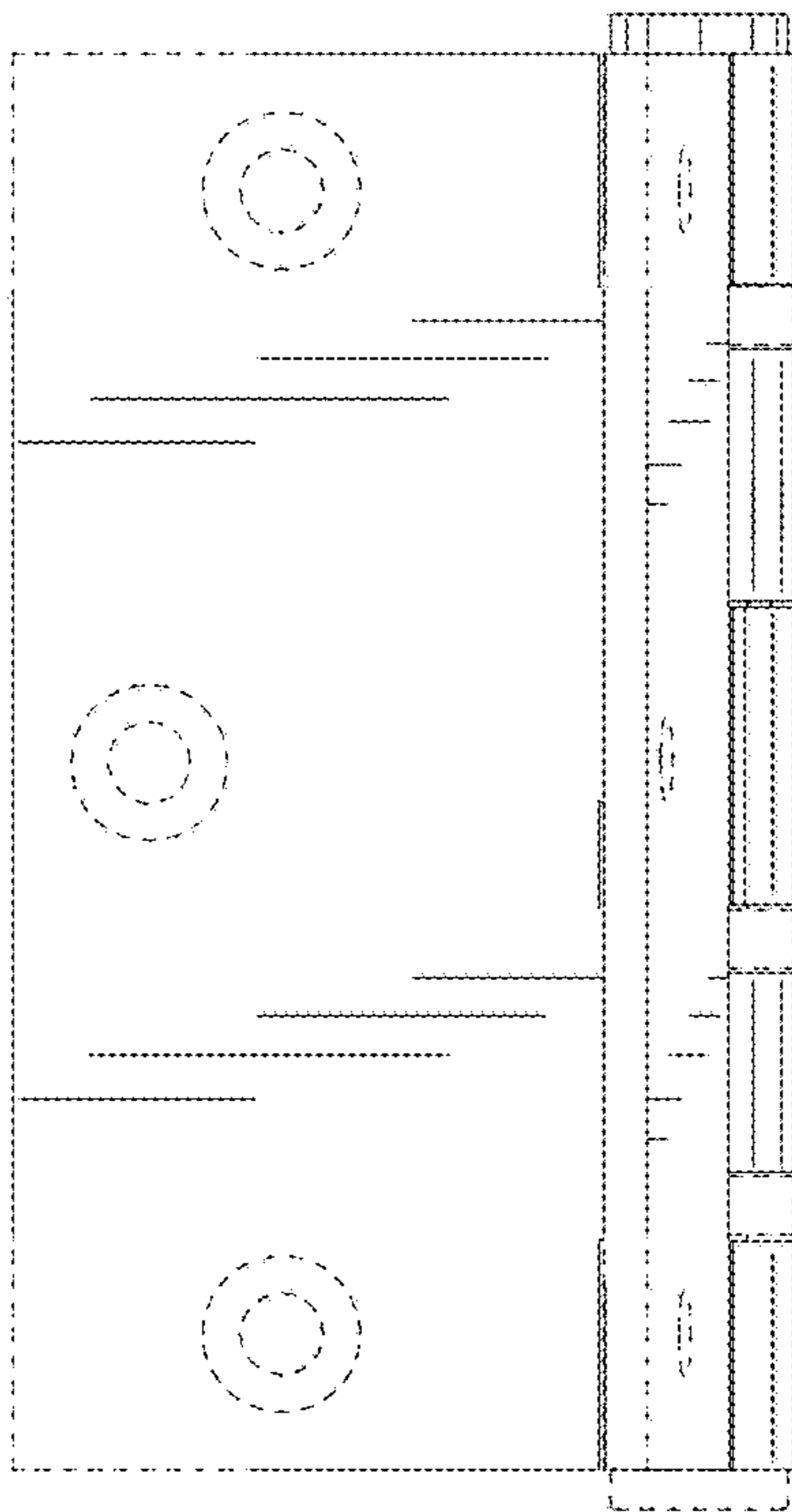


FIG. 3

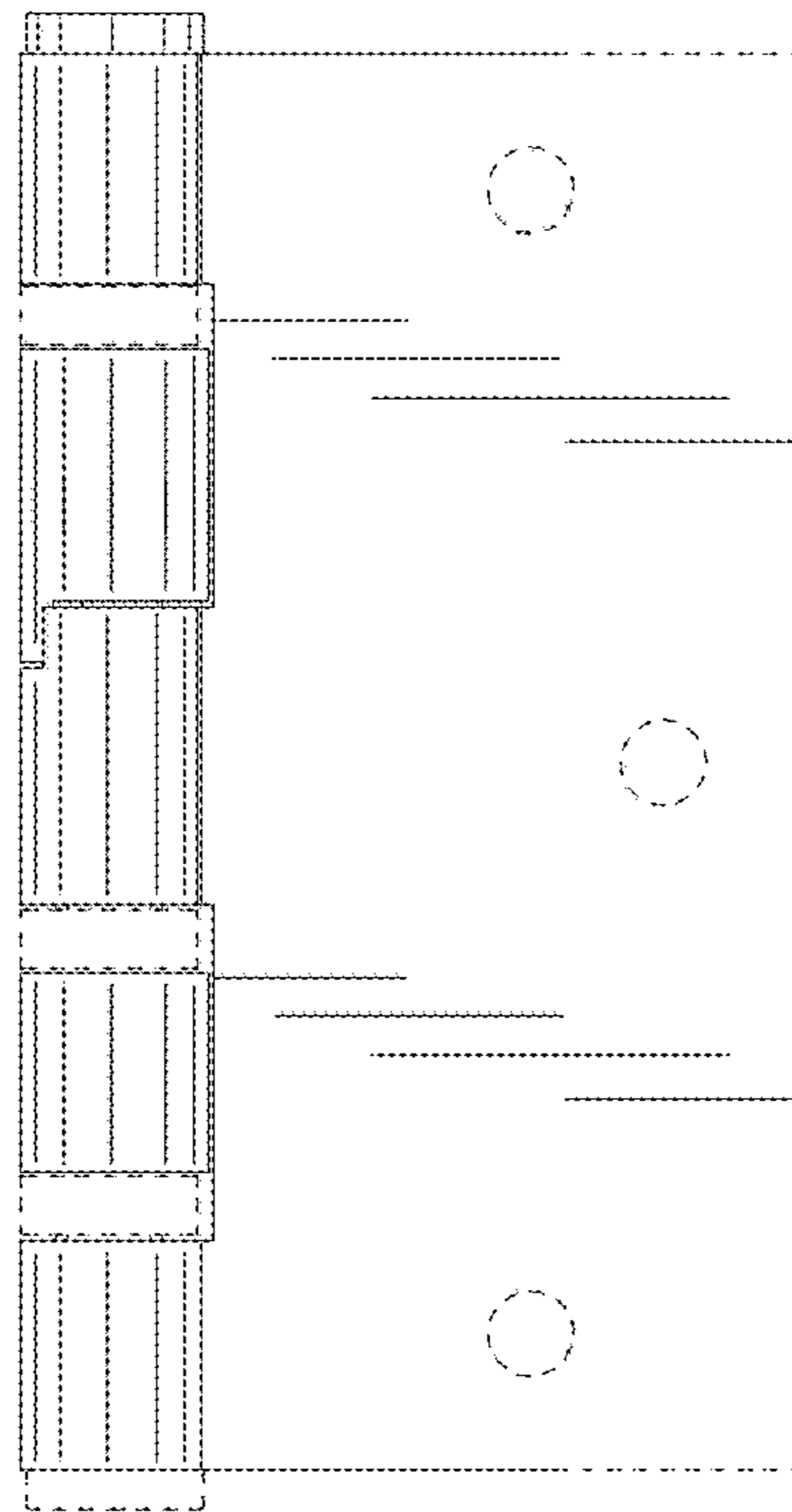


FIG. 4

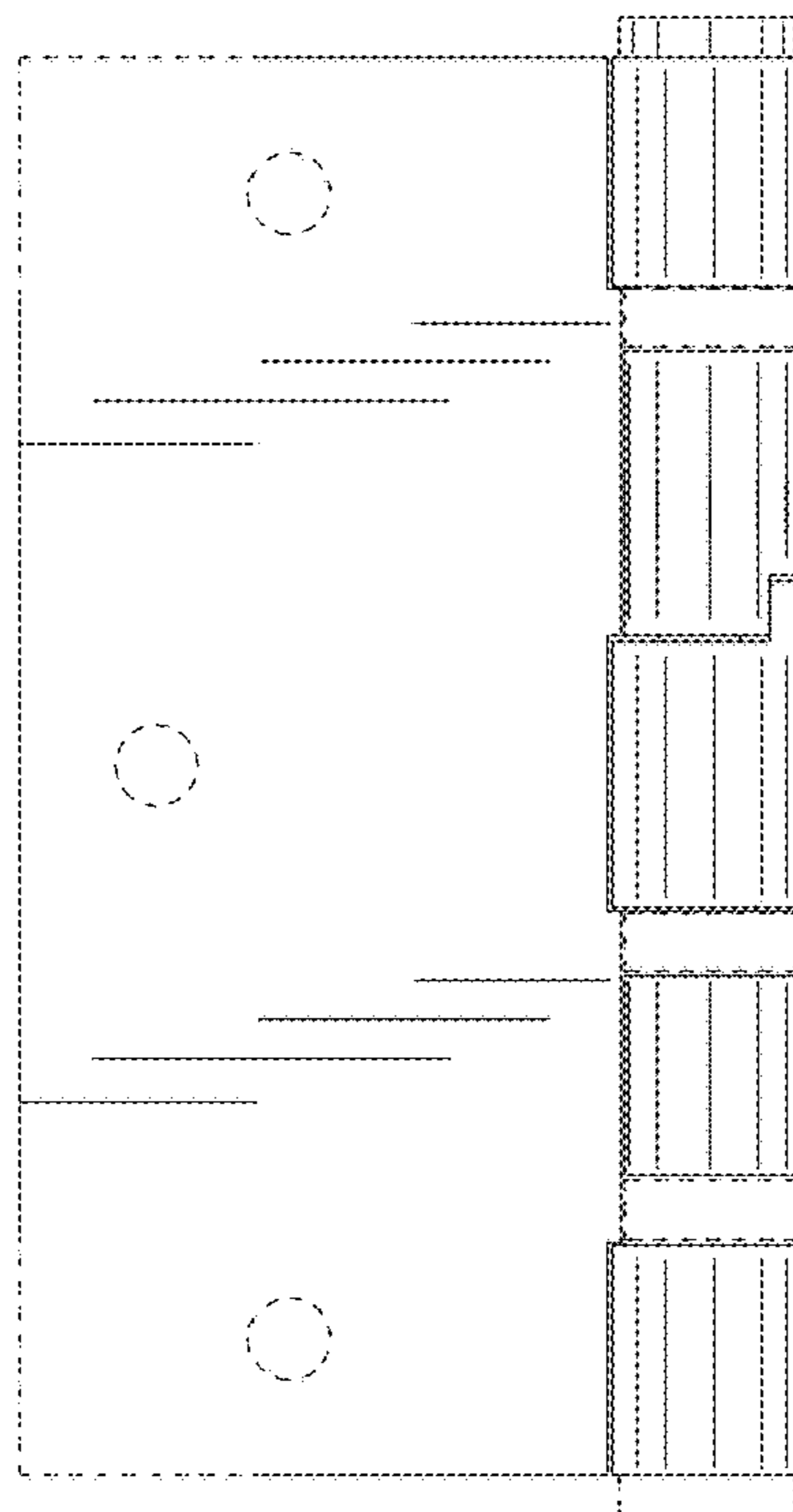


FIG. 5

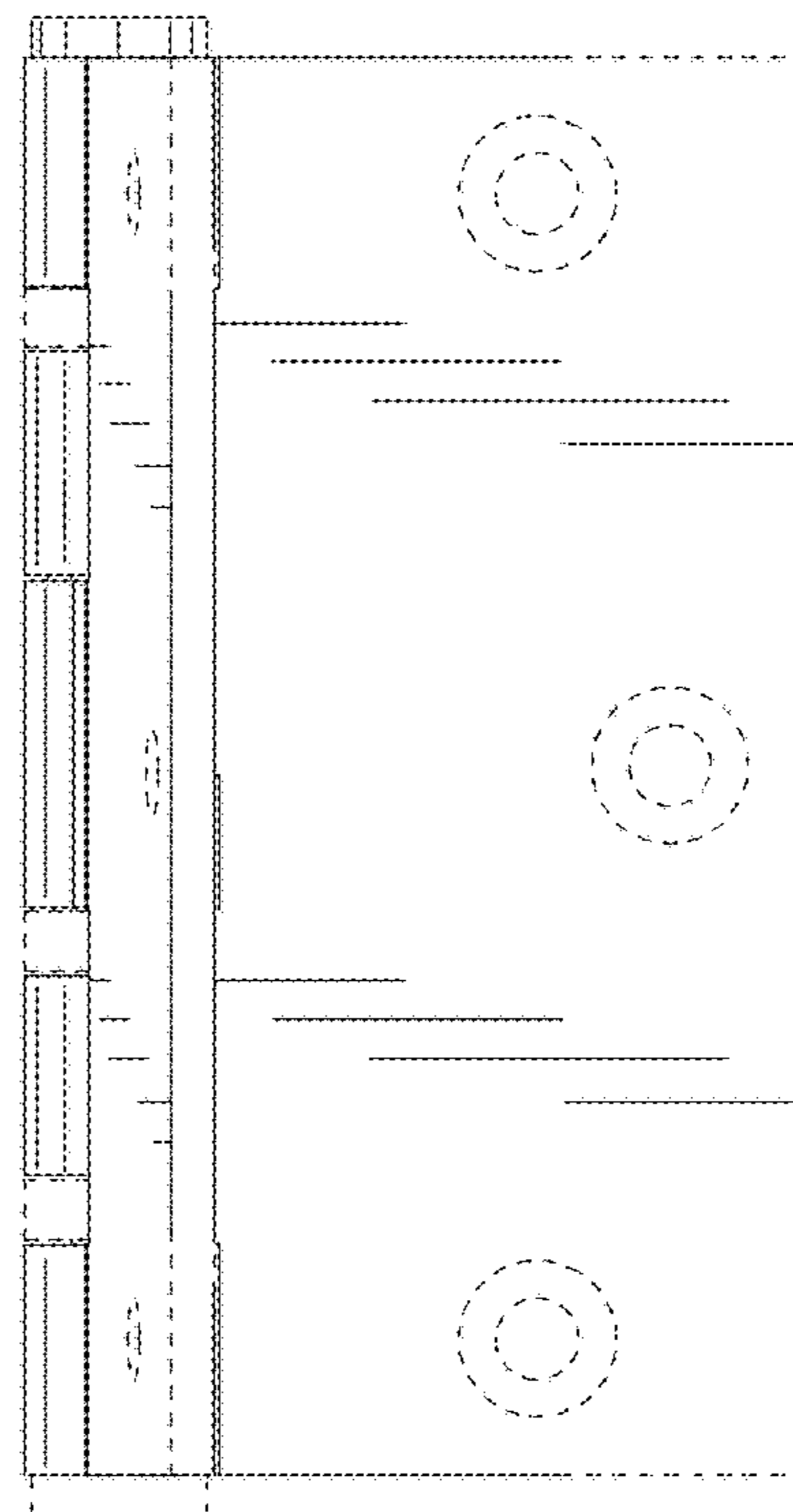


FIG. 6

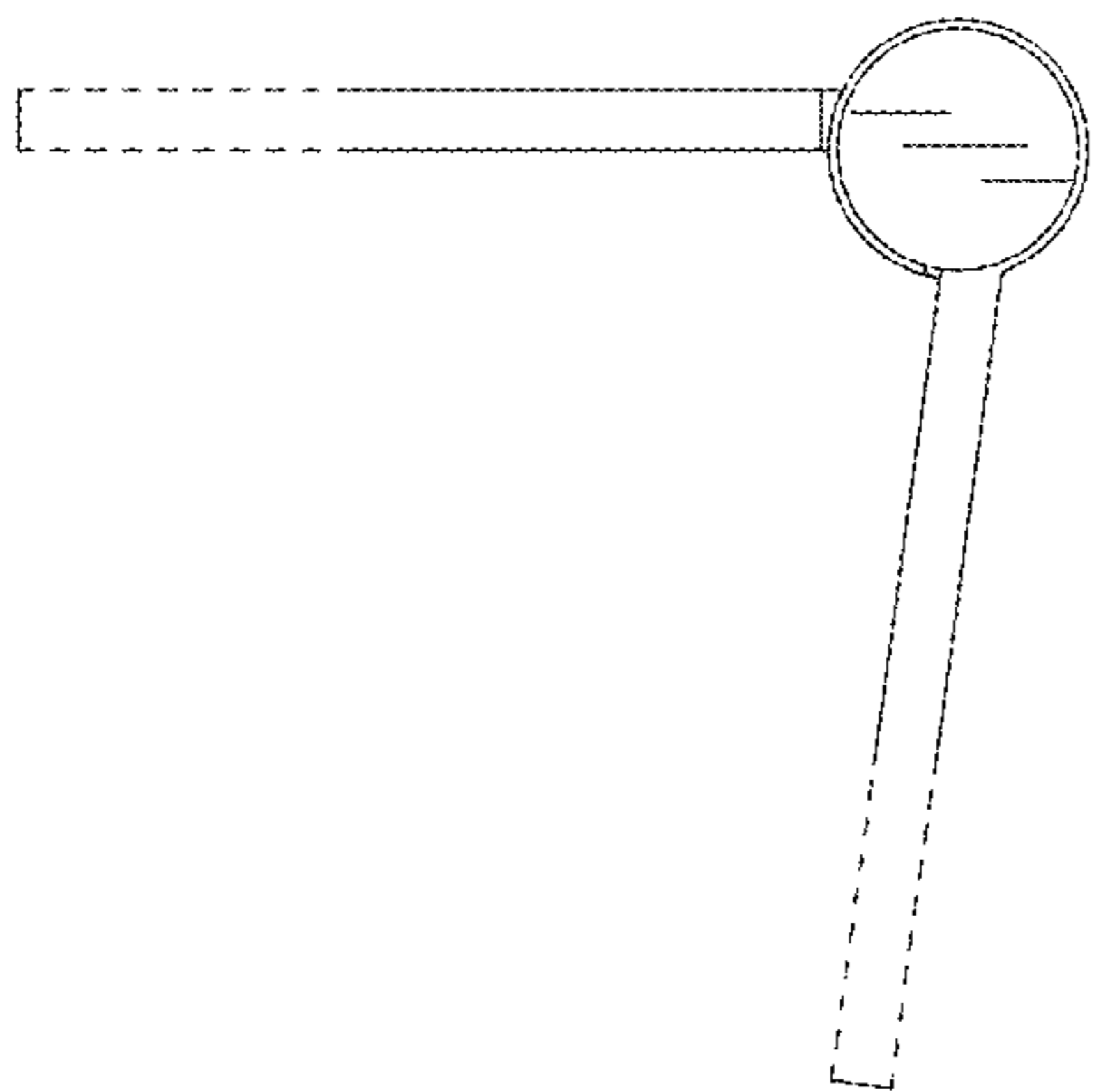


FIG. 7

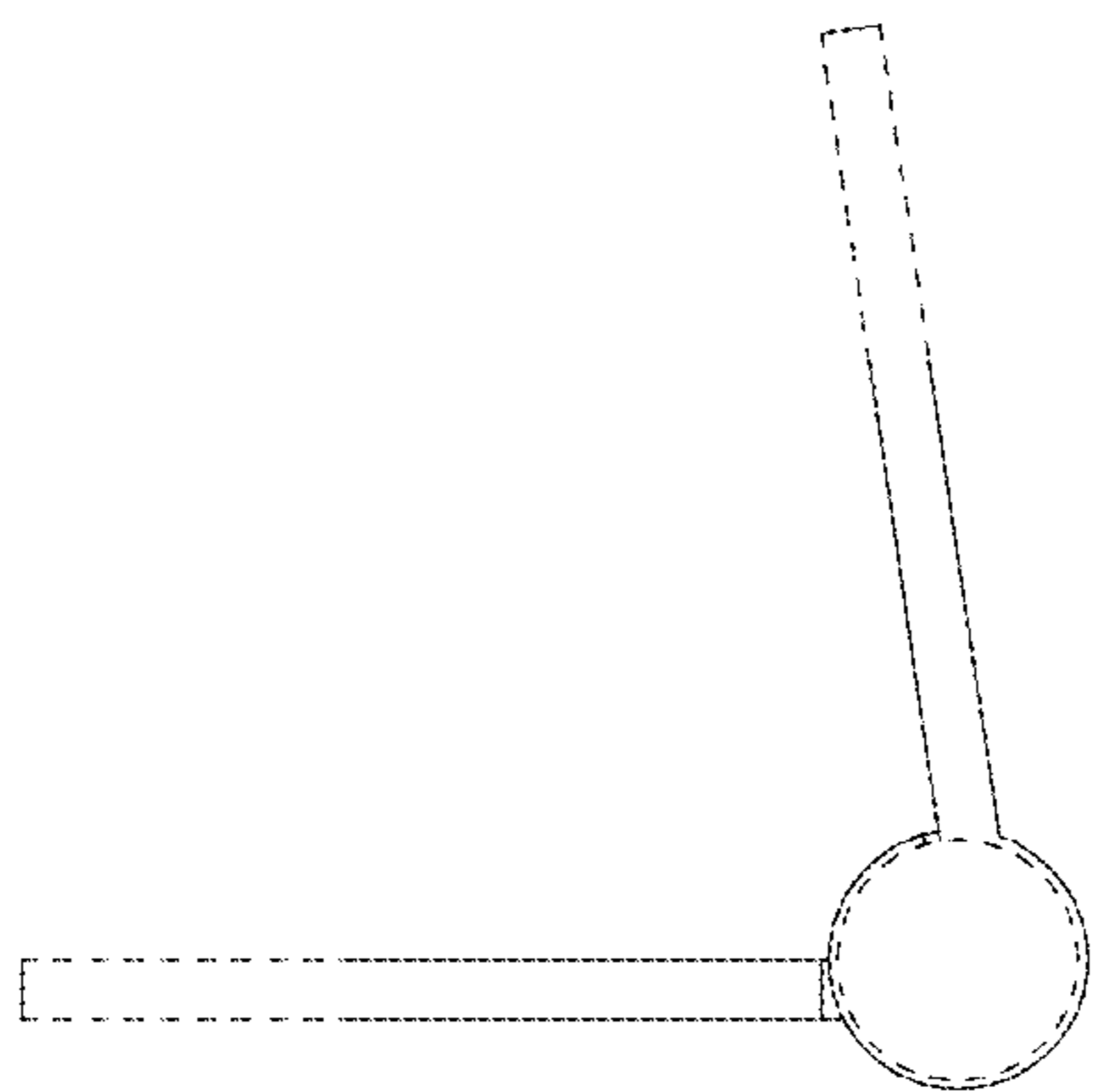


FIG. 8

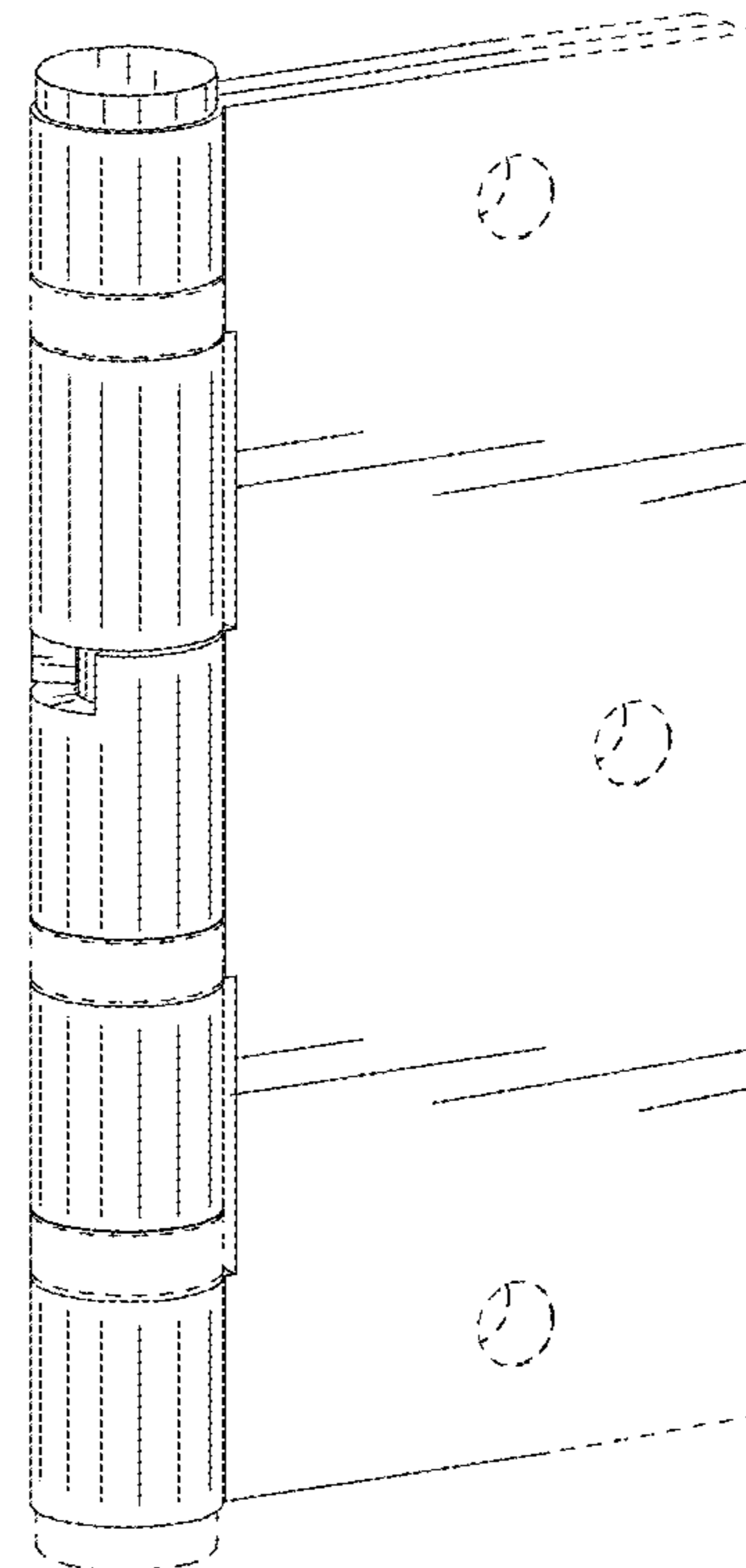
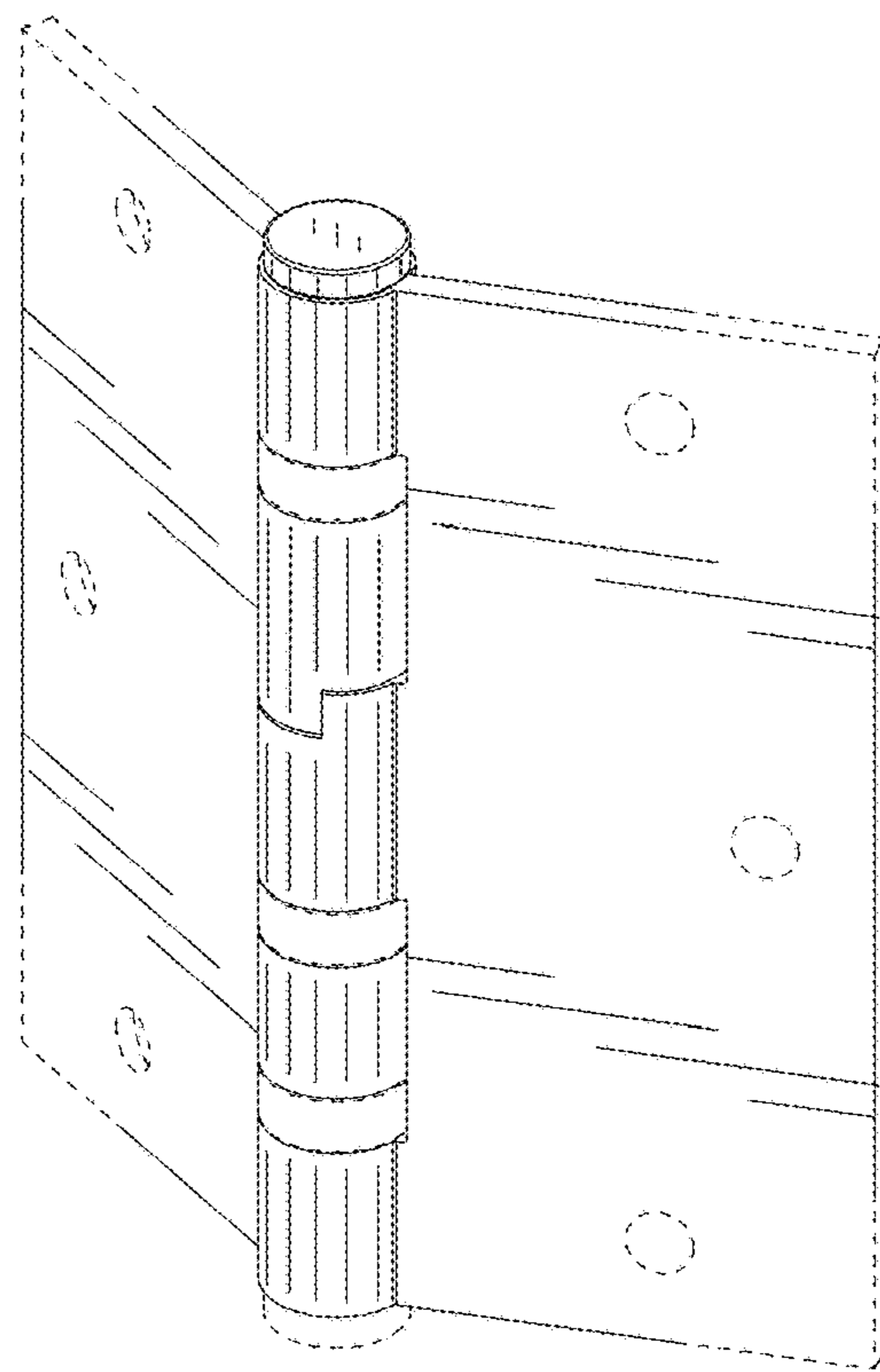
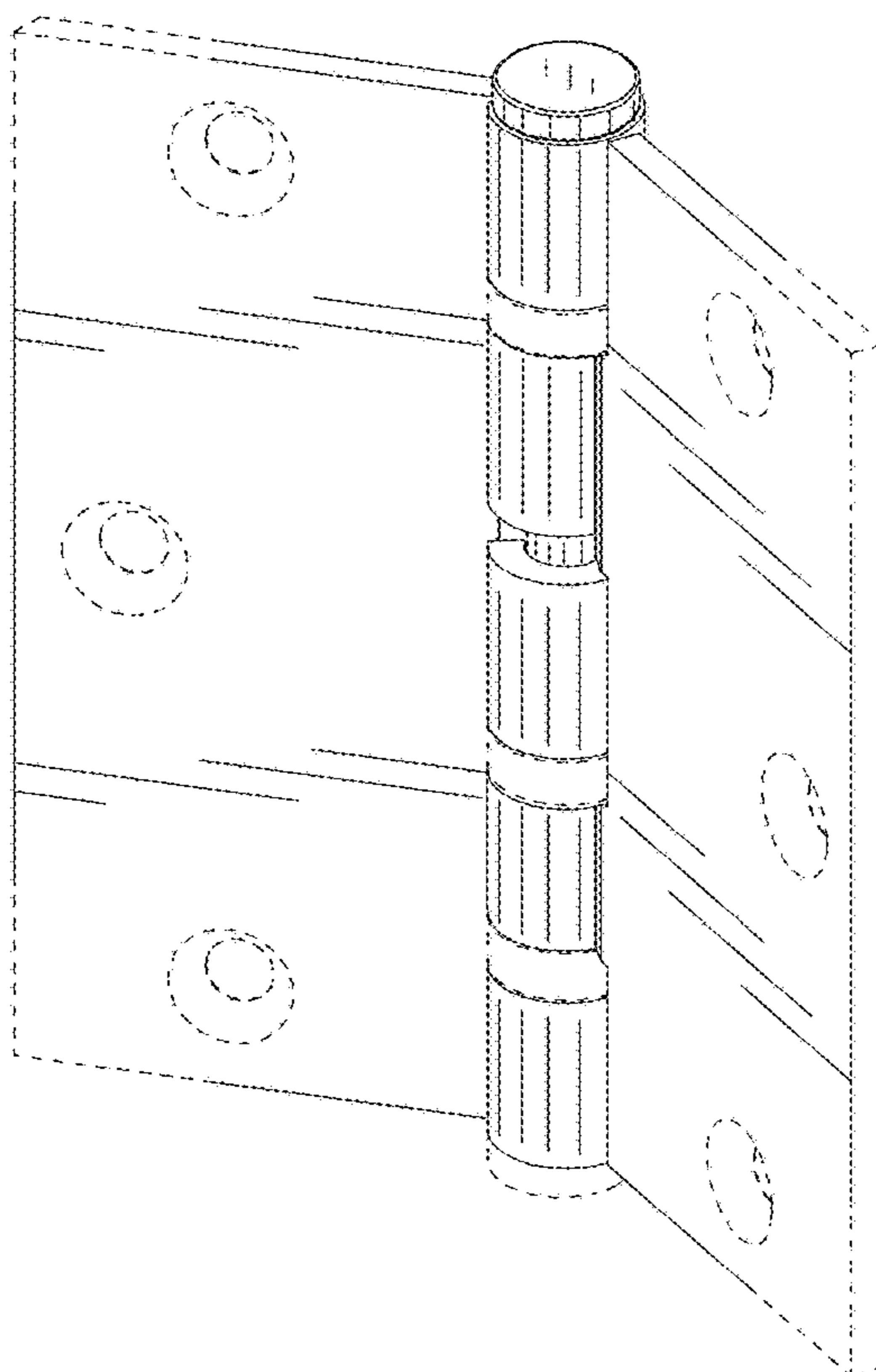


FIG. 9



**FIG. 10**



**FIG. 11**

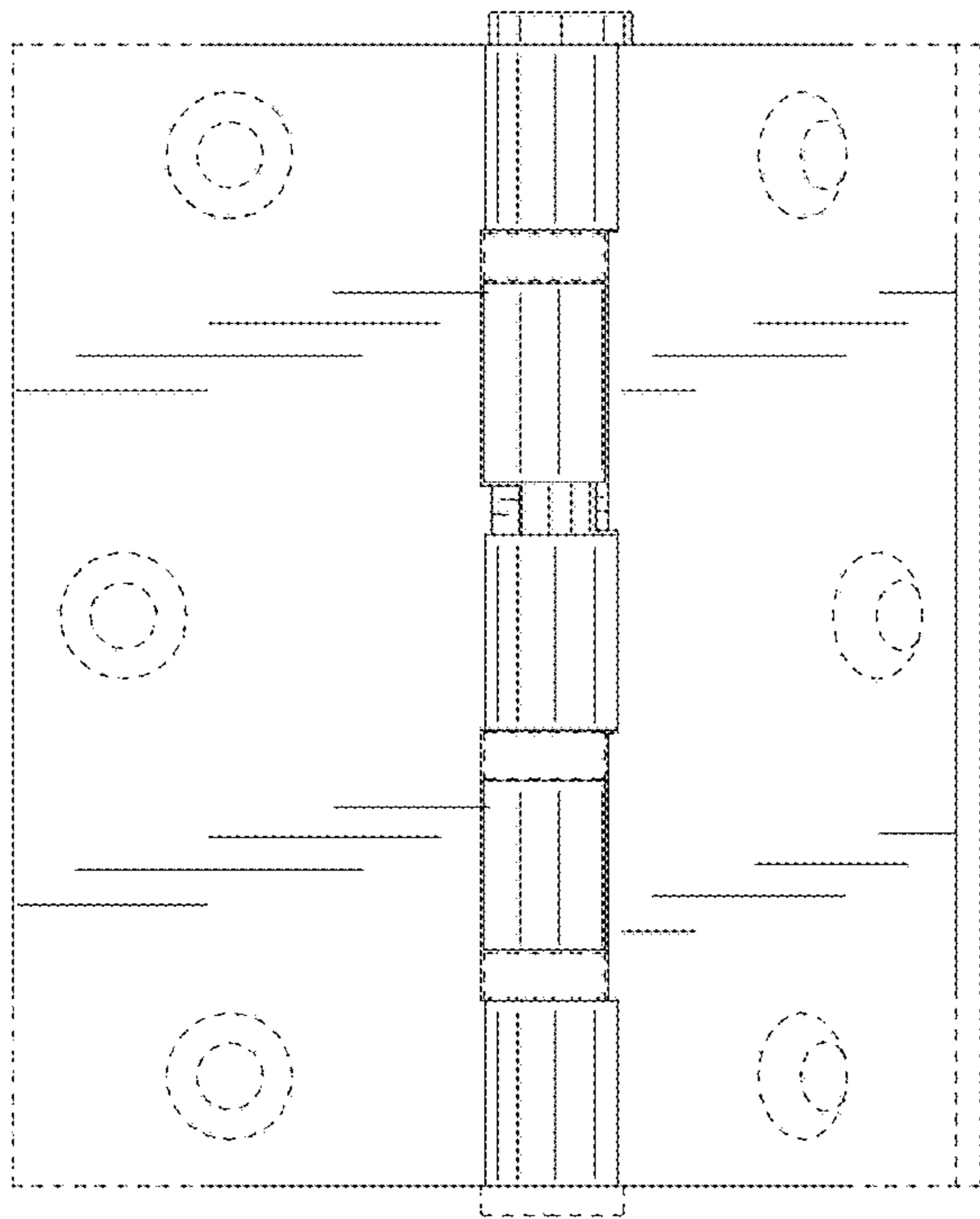


FIG. 12

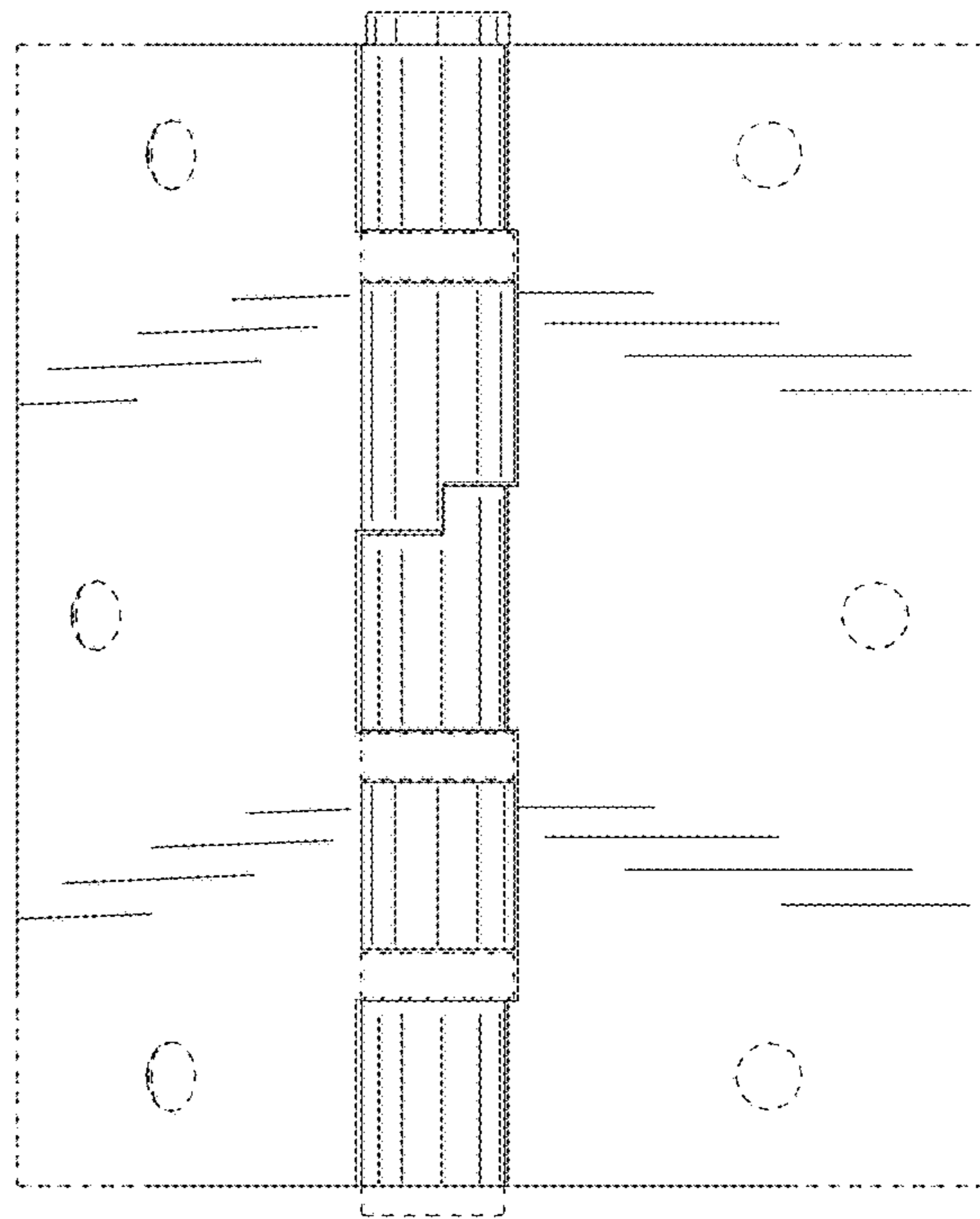


FIG. 13

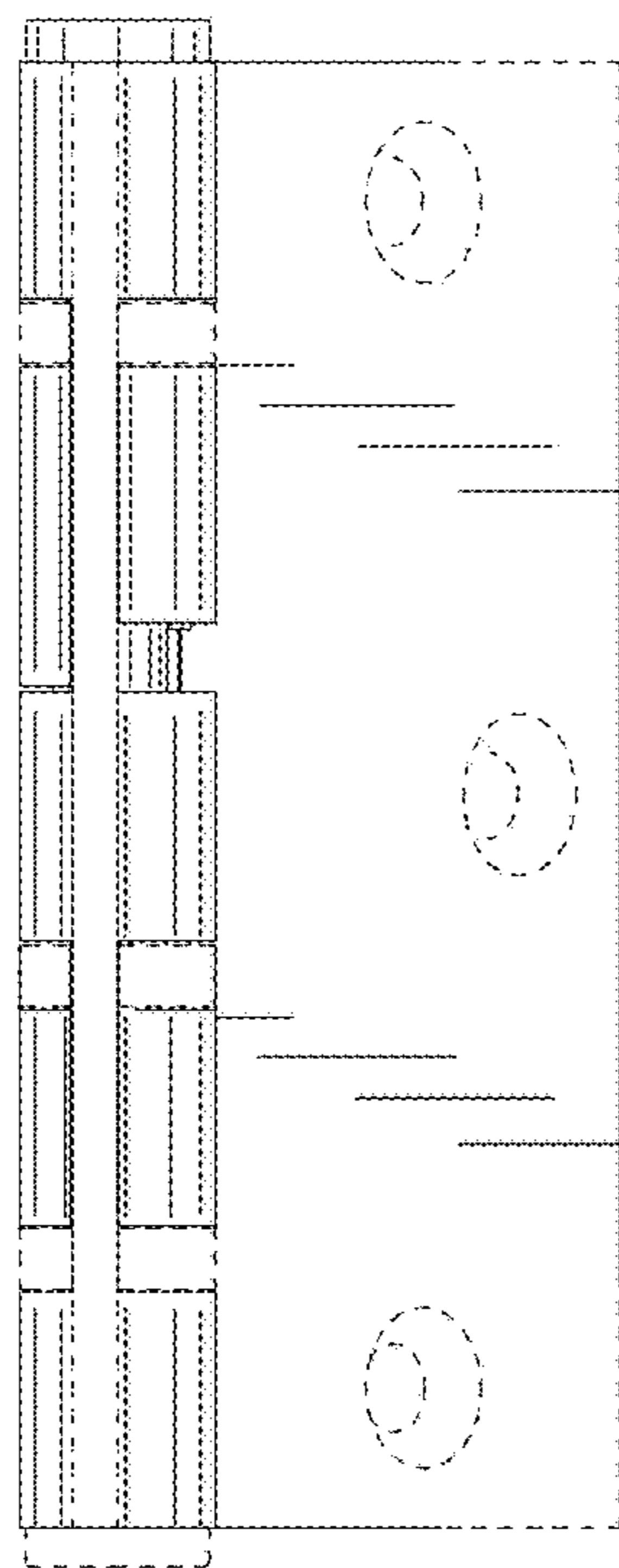


FIG. 14

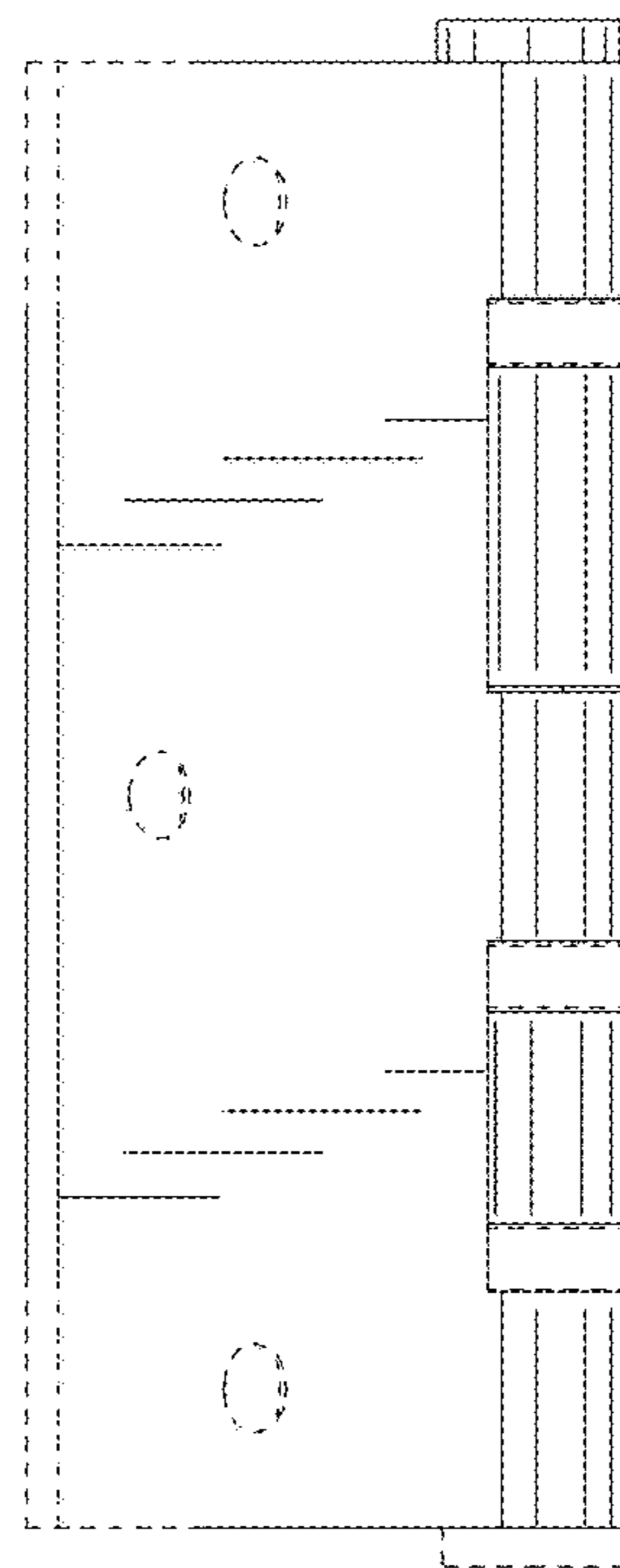


FIG. 15

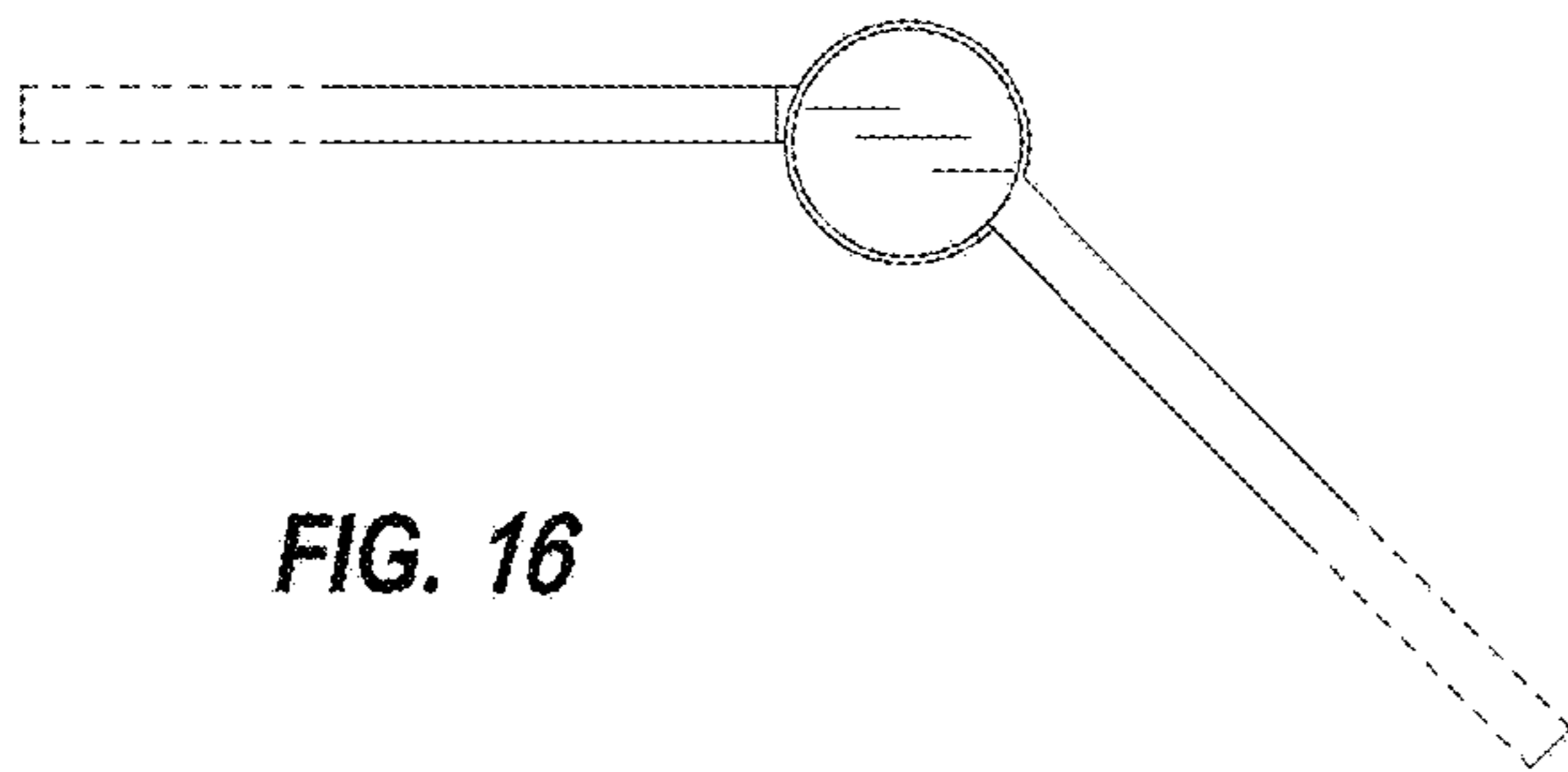


FIG. 16

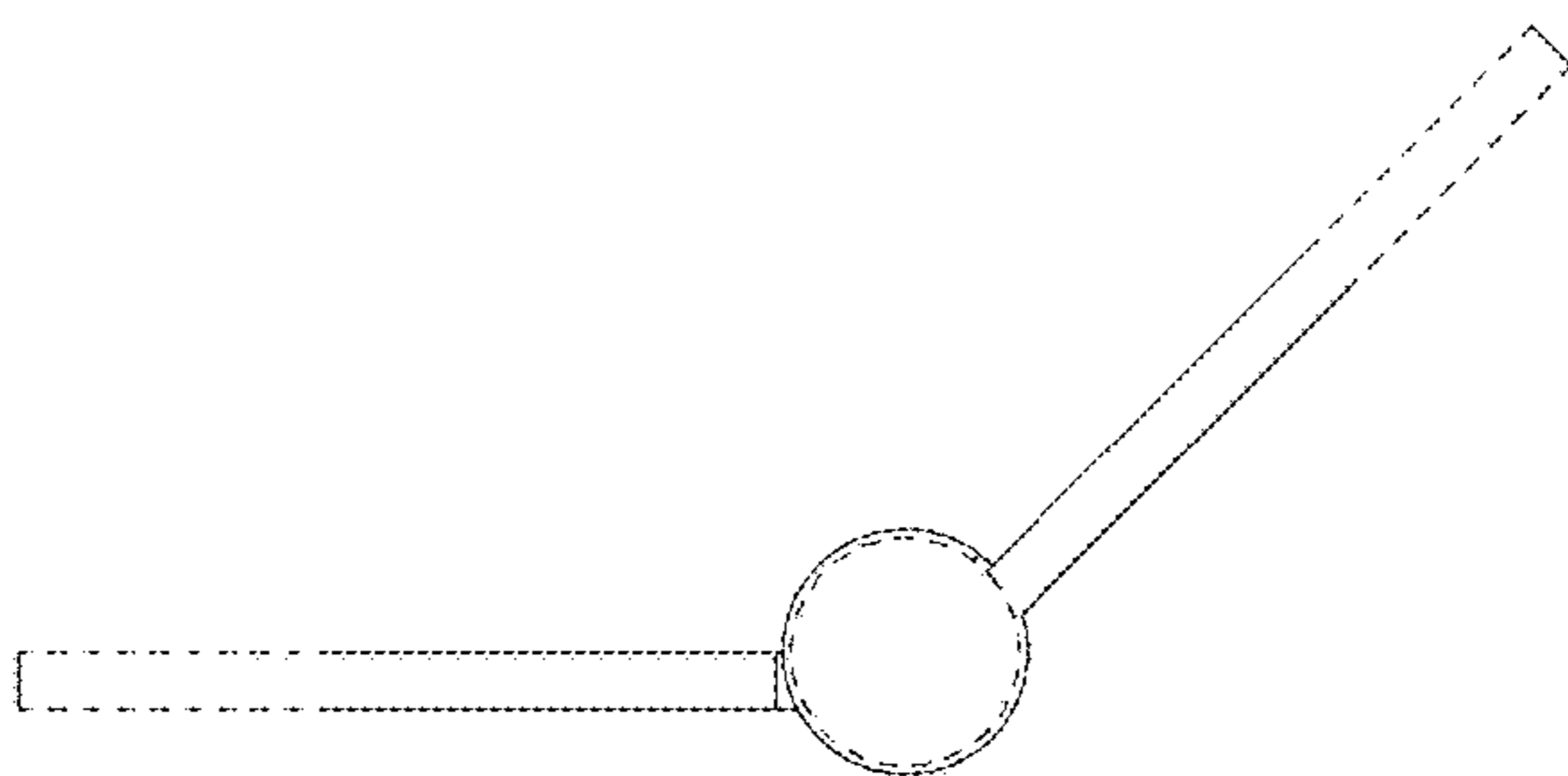


FIG. 17

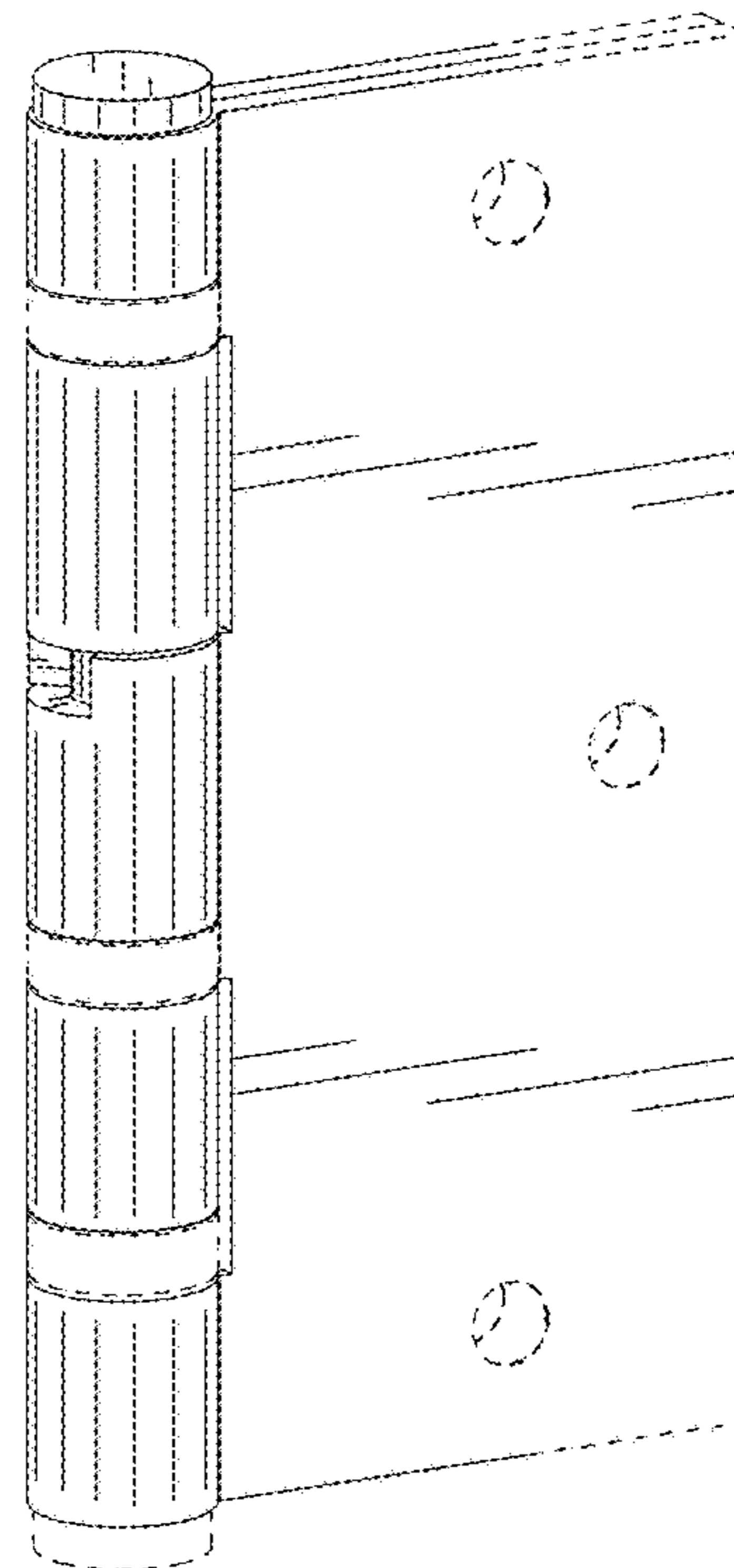


FIG. 18



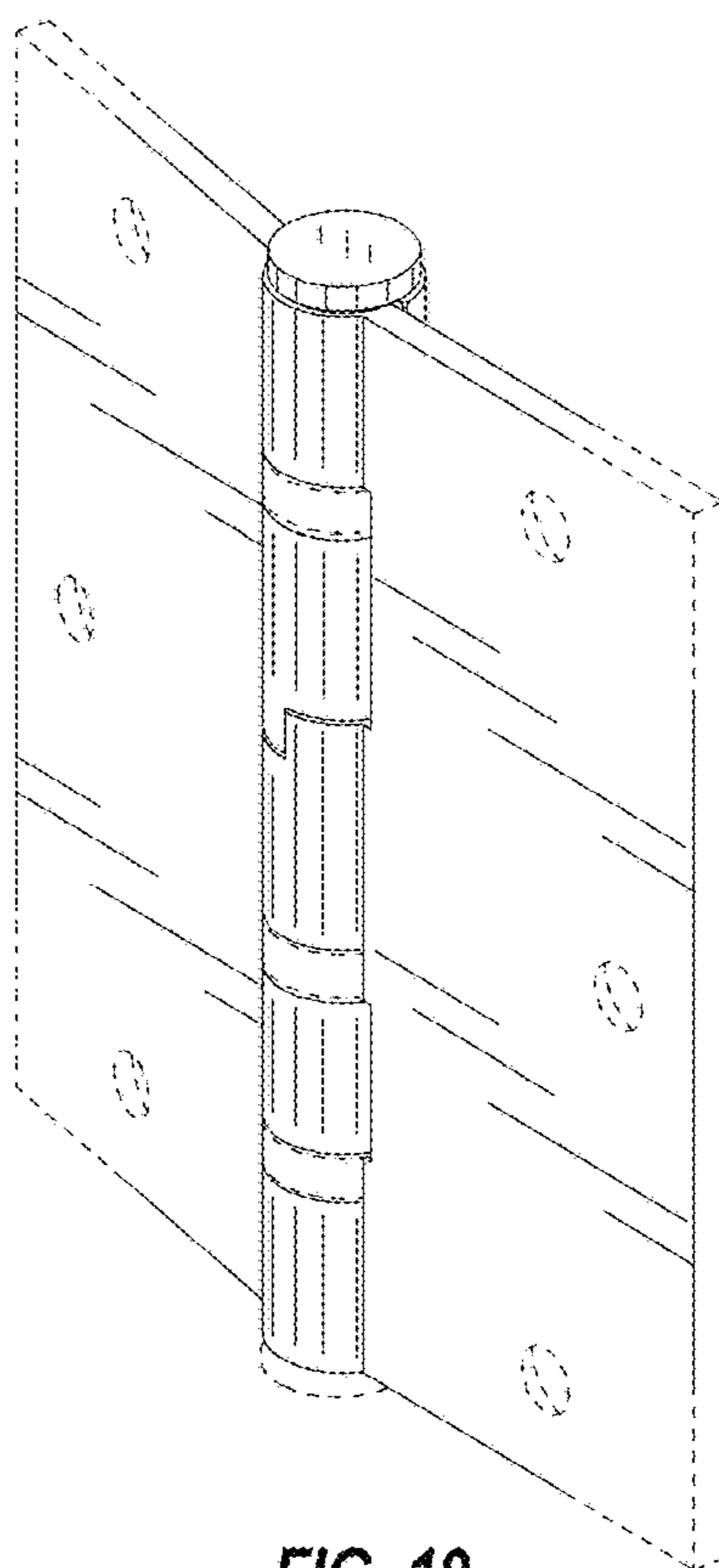


FIG. 19

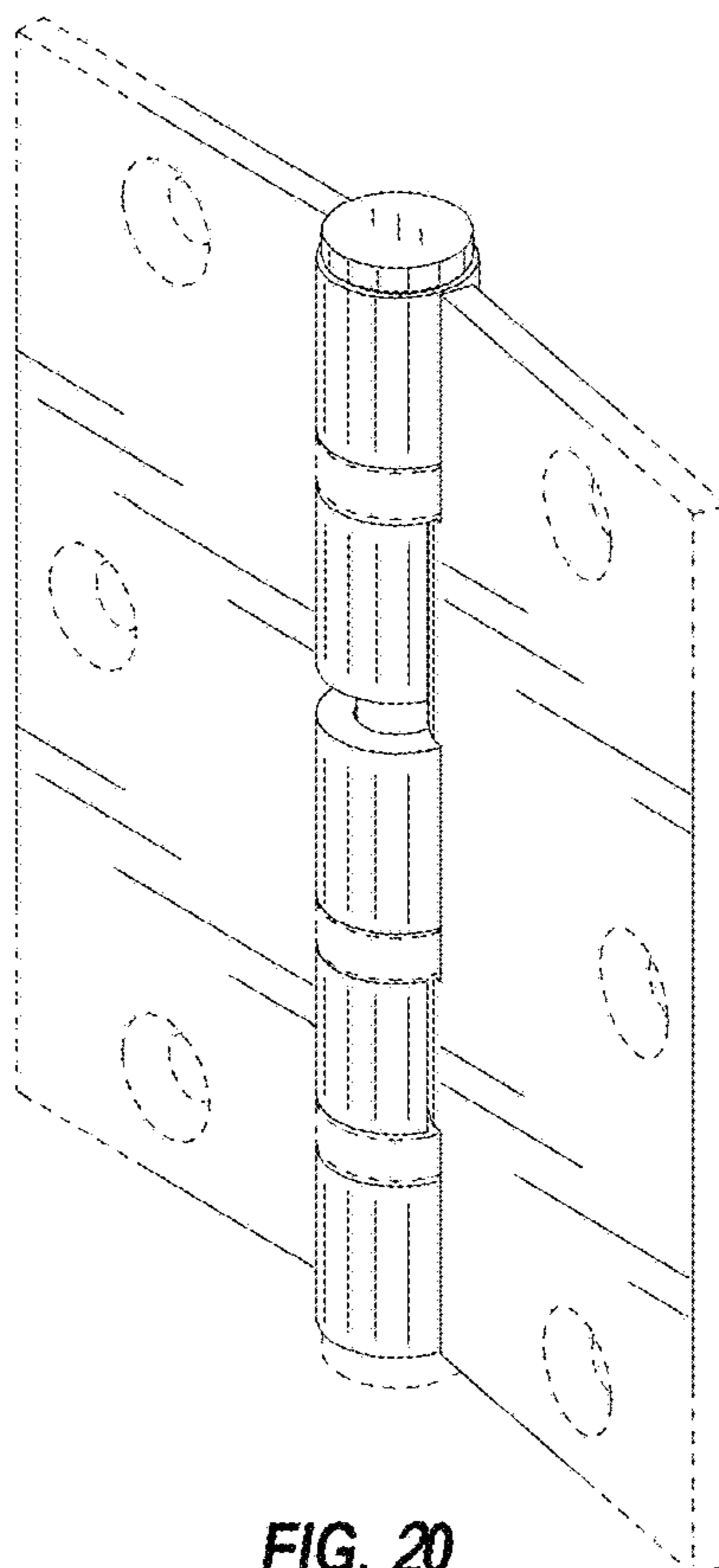


FIG. 20

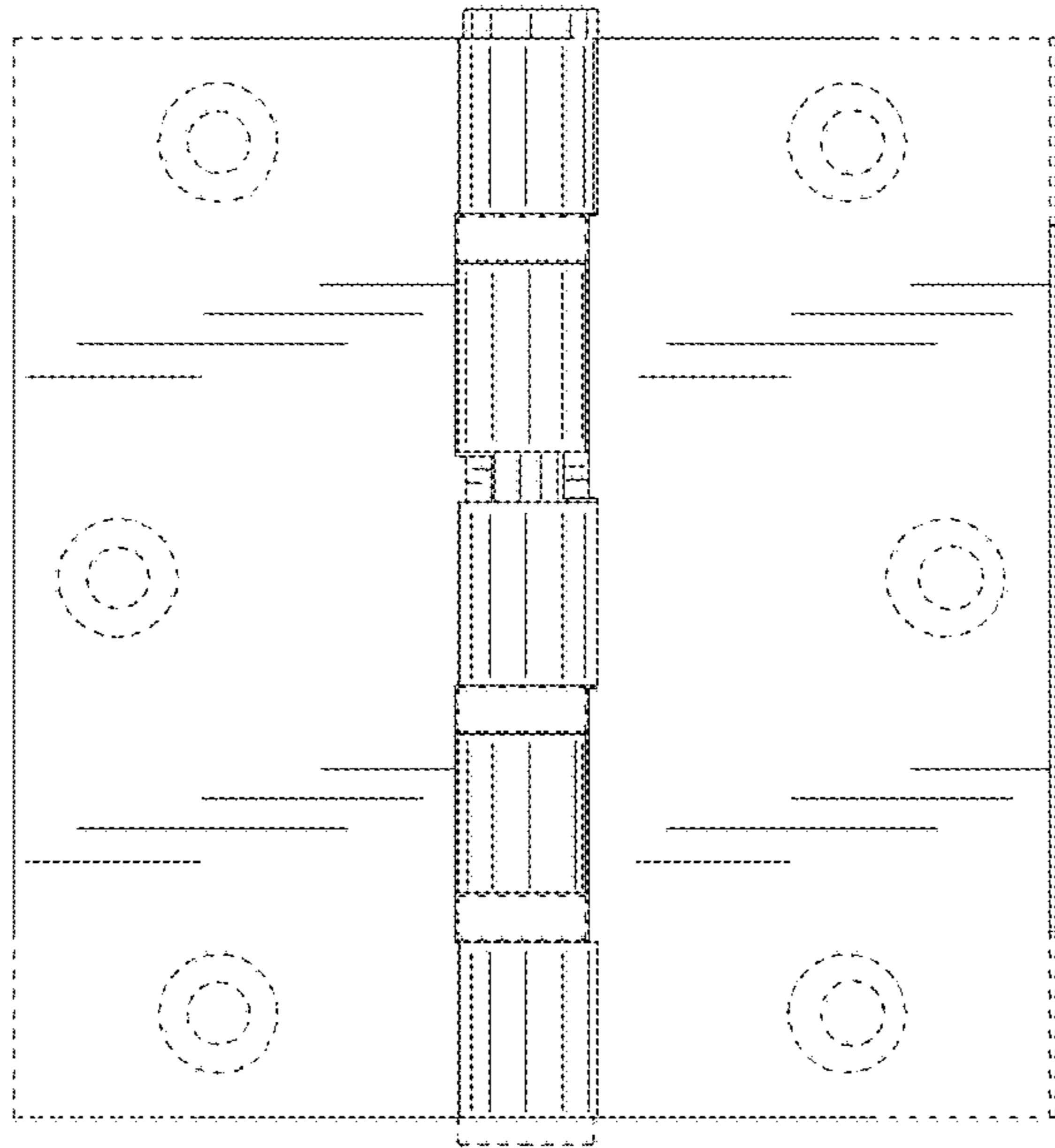


FIG. 21

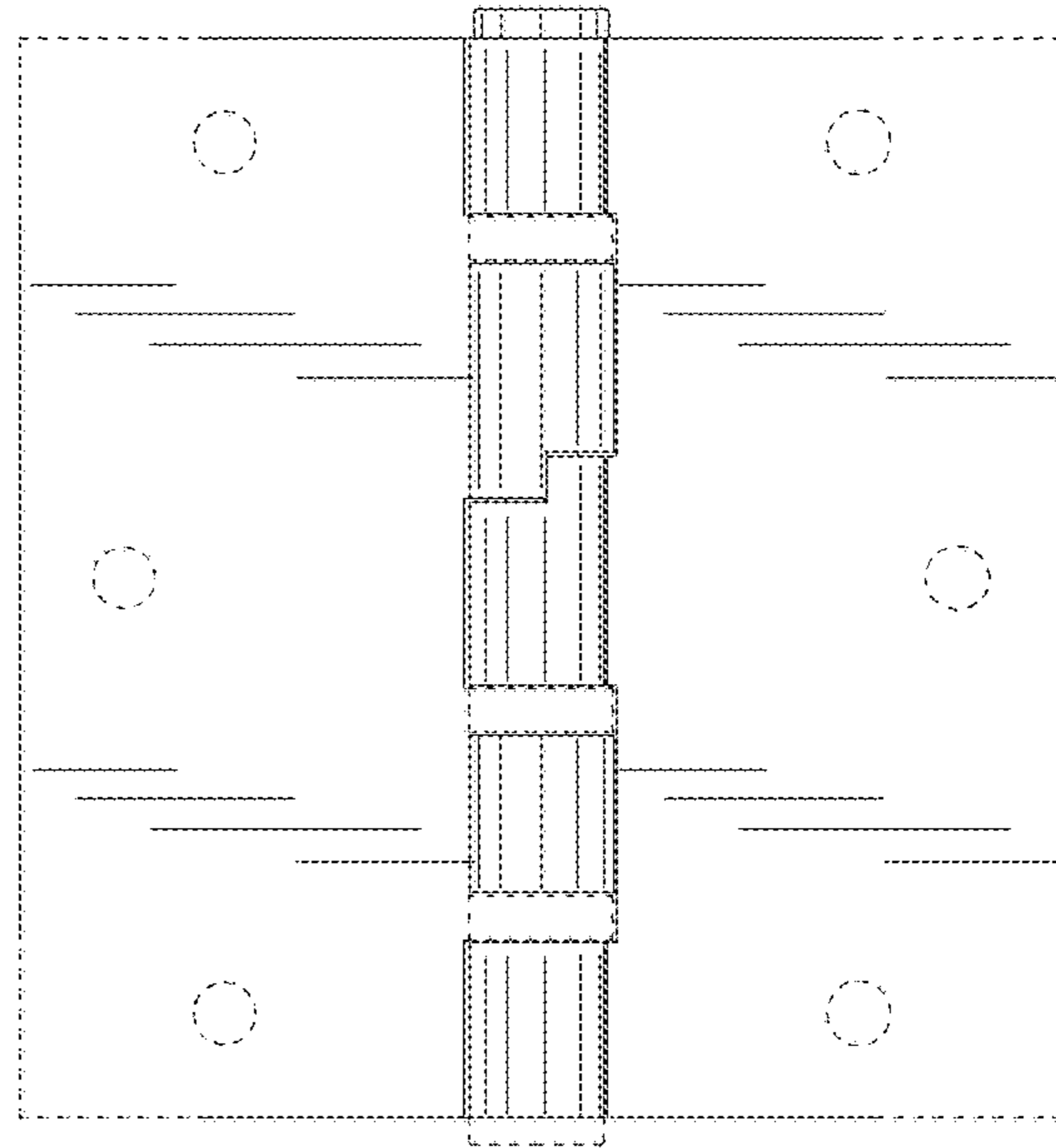


FIG. 22



FIG. 23



FIG. 24

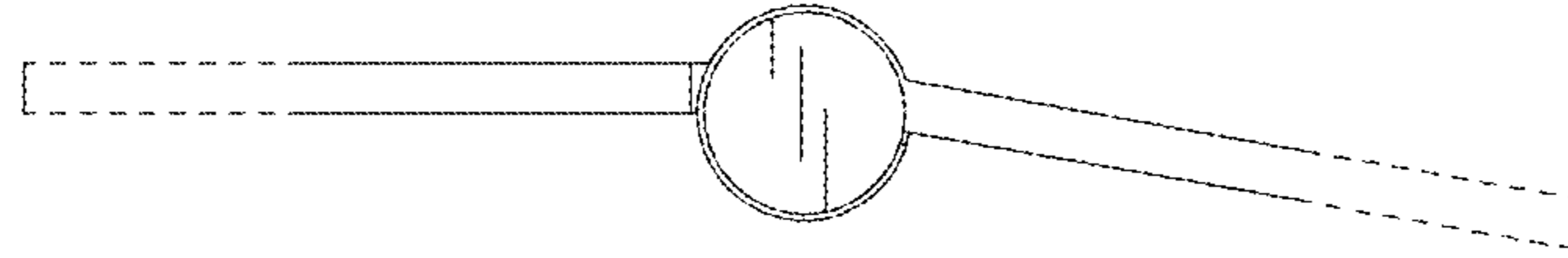


FIG. 25

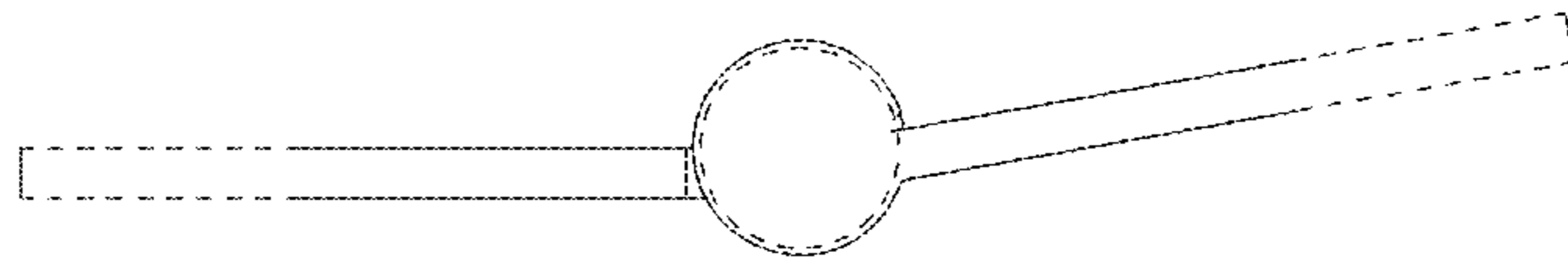


FIG. 26

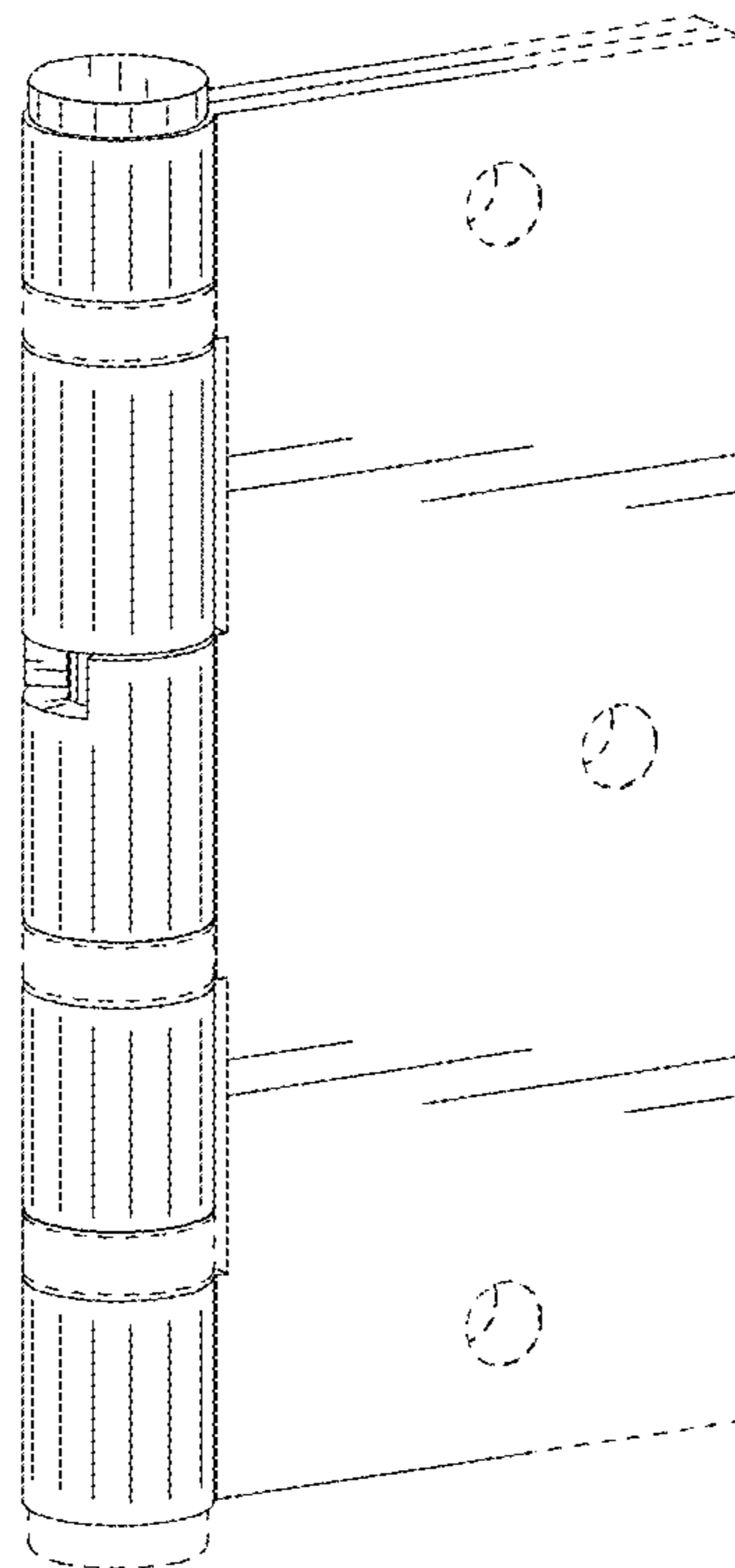


FIG. 27