



US00D837026S

(12) **United States Design Patent** (10) **Patent No.:** **US D837,026 S**
Poidatz et al. (45) **Date of Patent:** **** *Jan. 1, 2019**

(54) **DRAWER HANDLE**

(71) Applicant: **DASSAULT AVIATION**, Paris (FR)
 (72) Inventors: **Matthieu Poidatz**, Suresnes (FR);
Agnès Gervais, Paris (FR)
 (73) Assignee: **DASSAULT AVIATION**, Paris (FR)
 (*) Notice: This patent is subject to a terminal disclaimer.
 (**) Term: **15 Years**

(21) Appl. No.: **29/603,961**
 (22) Filed: **May 15, 2017**

(30) **Foreign Application Priority Data**

Nov. 14, 2016 (EM) RCD003463108-0002
 (51) **LOC (11) Cl.** **08-06**
 (52) **U.S. Cl.**
 USPC **D8/302**
 (58) **Field of Classification Search**
 USPC D8/300, 301, 302, 306, 313, 331;
 D23/254
 CPC ... Y10T 292/57; Y10T 16/44; Y10T 70/5155;
 Y10T 70/5832; Y10T 292/1047; Y10T
 16/458; Y10T 70/5757; Y10T 16/476;
 Y10T 70/8541; Y10T 70/5765; Y10T
 74/20732; Y10T 16/473; Y10T 292/1089;
 Y10T 292/865; Y10T 70/7305; Y10T
 292/097; Y10T 292/0938; Y10T 16/509;
 Y10T 292/0834; Y10T 292/1014; Y10T
 292/0959; Y10T 292/308; Y10T 70/489;
 Y10T 74/20876; Y10T 70/80; Y10T
 74/20828; Y10T 70/8459; Y10T
 74/20864; Y10T 292/1064

See application file for complete search history.

(56) **References Cited**

U.S. PATENT DOCUMENTS

2,668,076 A * 2/1954 Troche E05C 1/145
 292/336.3
 D218,672 S * 9/1970 Lauper D8/302
 D230,132 S * 1/1974 Pastva, Jr. D8/302
 D265,965 S * 8/1982 Davis D8/302
 5,439,260 A * 8/1995 Weinerman E05B 5/00
 292/216
 D390,086 S * 2/1998 Weinerman D8/300
 D436,832 S * 1/2001 Matsuo D8/313
 D458,110 S * 6/2002 Landeros D8/331
 6,474,703 B1 * 11/2002 Berg E05C 1/145
 292/200
 D488,991 S * 4/2004 Bertani E05B 1/0015
 D8/313
 D502,642 S * 3/2005 Misner D8/302
 D504,803 S * 5/2005 Misner D8/302
 D519,823 S * 5/2006 Pickar D8/331
 D570,192 S * 6/2008 Beckner D8/331
 D614,016 S * 4/2010 Zenner D8/331
 D644,500 S * 9/2011 Baldwin D8/331
 D674,678 S * 1/2013 Pickar D8/302

(Continued)

Primary Examiner — Lauren R Calve

(74) *Attorney, Agent, or Firm* — Davidson, Davidson & Kappel, LLC

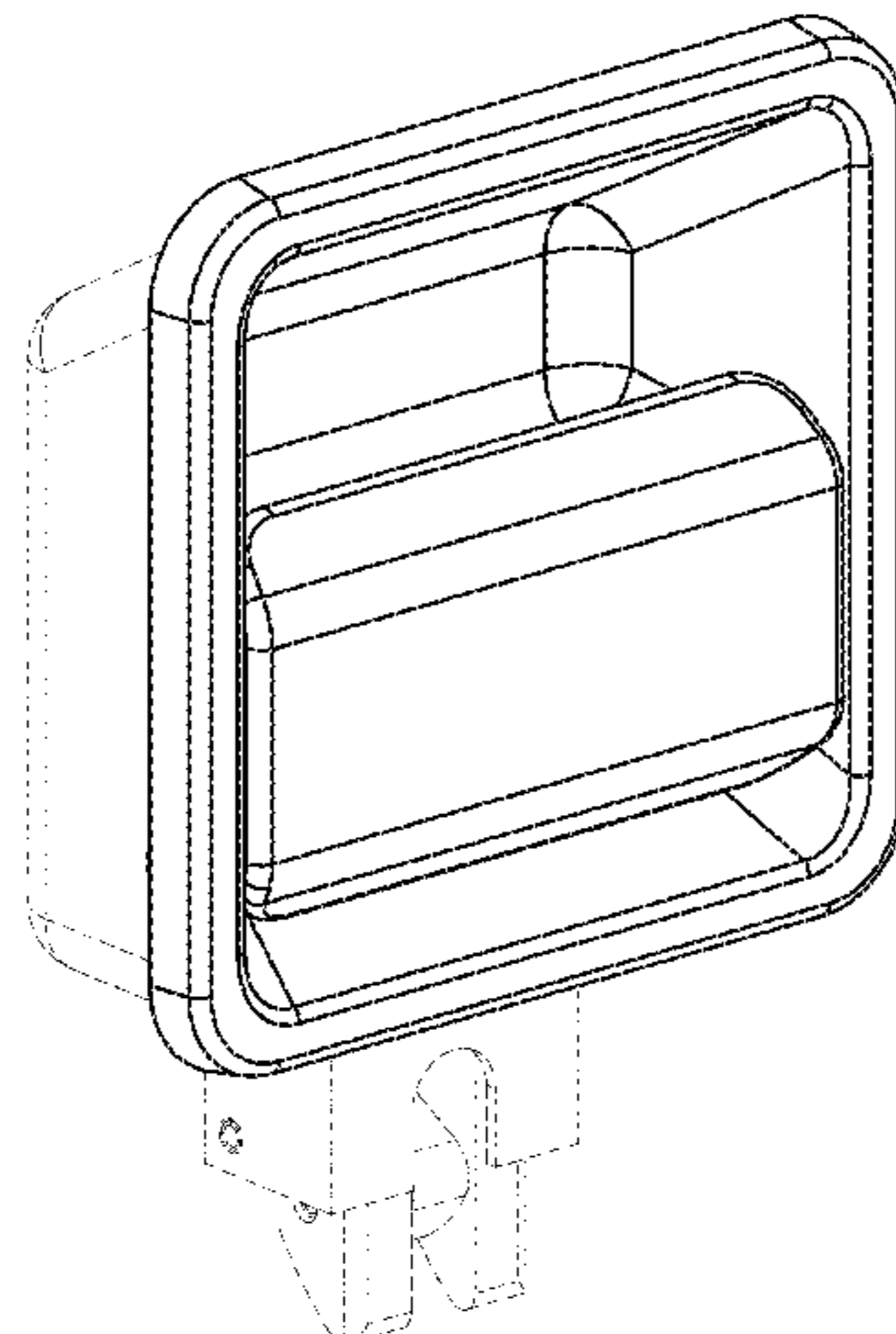
(57) **CLAIM**

The ornamental design for a drawer handle, as shown and described.

DESCRIPTION

FIG. 1 is a front perspective view of a drawer handle;
 FIG. 2 is a front elevation view thereof;
 FIG. 3 is a bottom plan view thereof;
 FIG. 4 is a top plan view thereof;
 FIG. 5 is a left side elevation view thereof; and,
 FIG. 6 is a right side elevation view thereof.

(Continued)



The broken line representations in the figures are for illustration only and form no part of the claimed design.

1 Claim, 6 Drawing Sheets

(56)

References Cited

U.S. PATENT DOCUMENTS

| | | | |
|----------------|---------|------------------|----------------------|
| 8,393,187 B2 * | 3/2013 | Bacon | E05B 5/00 292/201 |
| D694,087 S * | 11/2013 | Burns | D8/302 |
| D701,742 S * | 4/2014 | Rechberg | D8/331 |
| D749,396 S * | 2/2016 | Alfredsson | D8/331 |
| 9,399,879 B2 * | 7/2016 | Burns | E05B 85/18 |
| D792,186 S * | 7/2017 | Key | D8/302 |

* cited by examiner

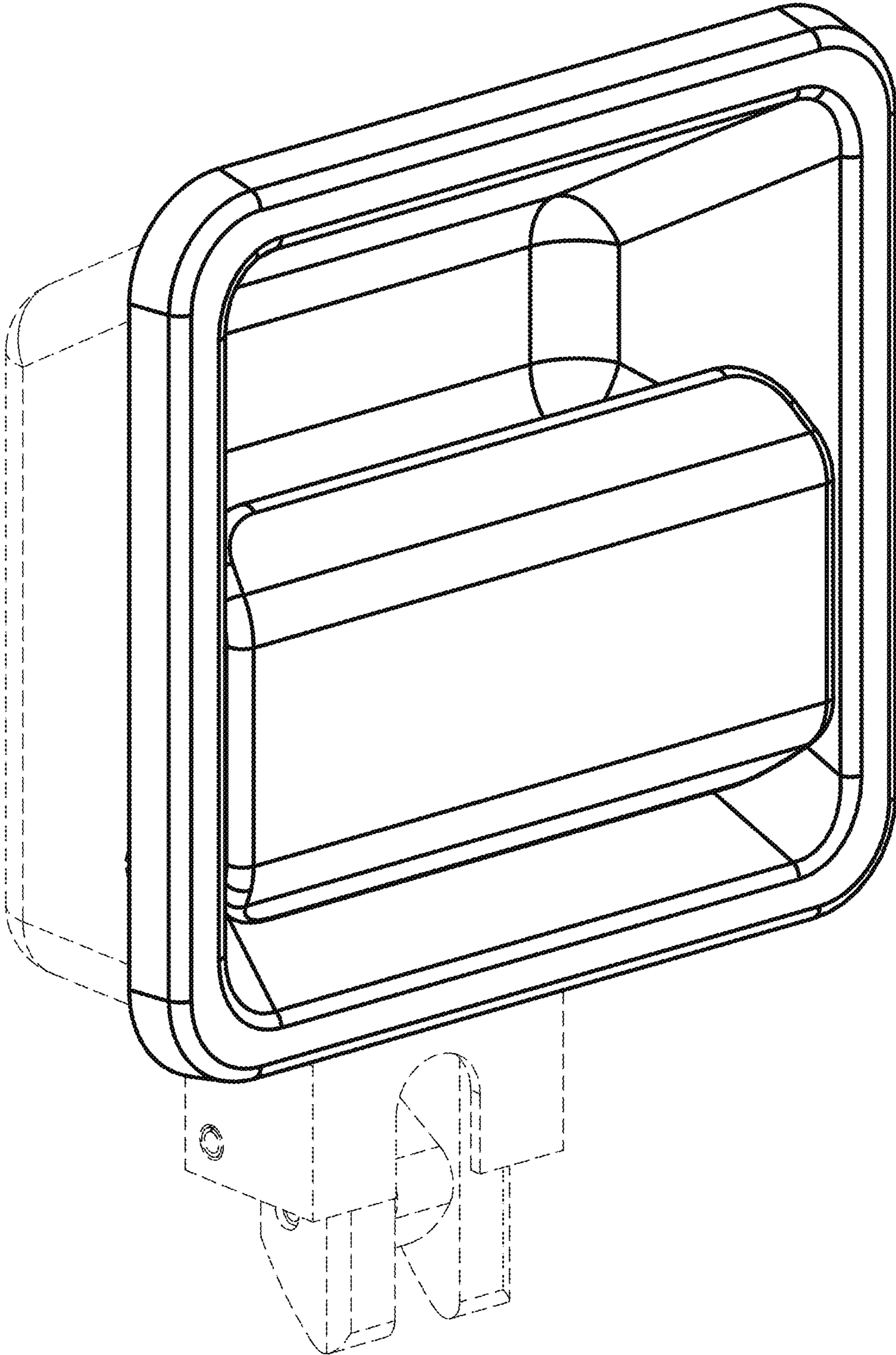


Fig. 1

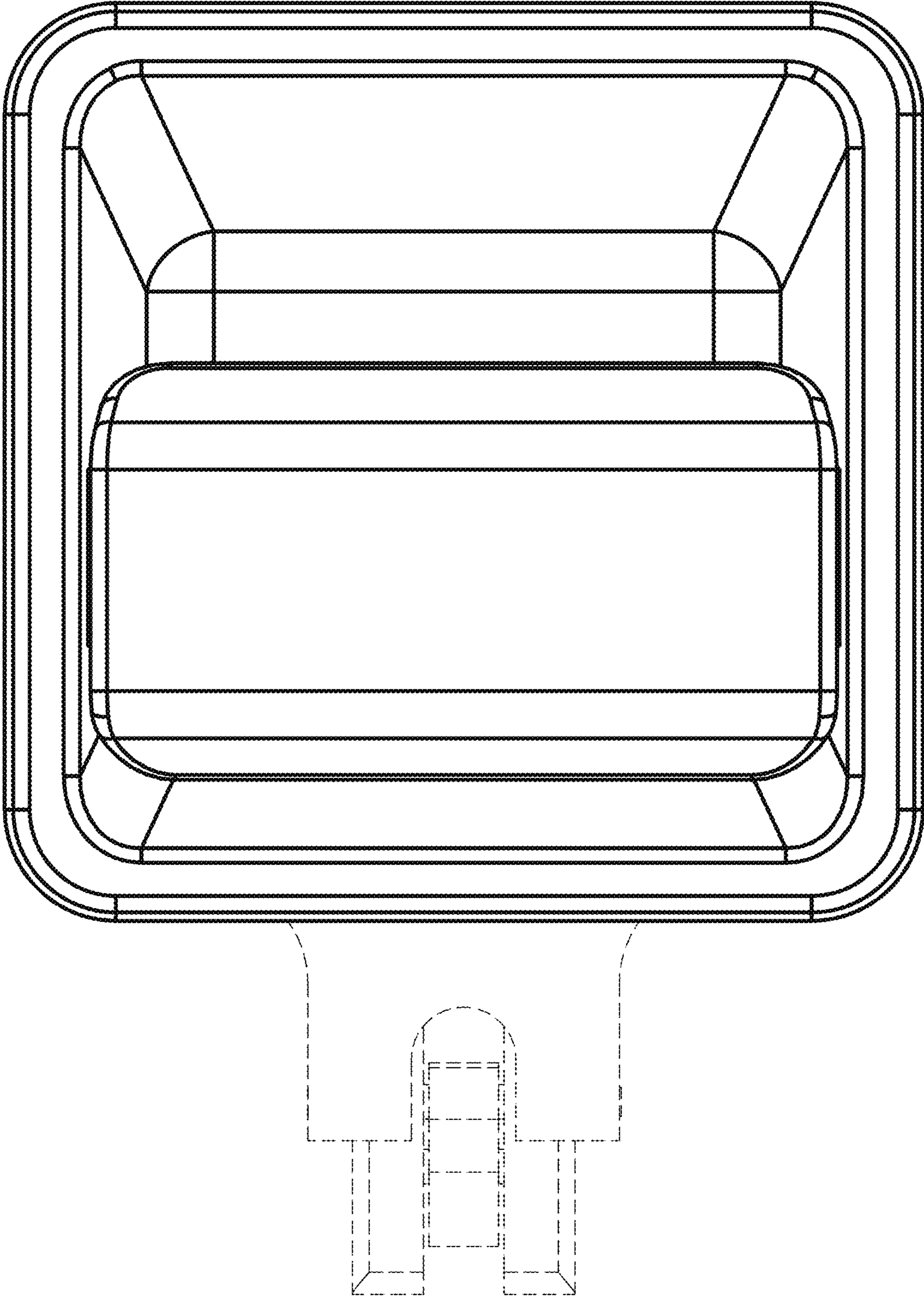


Fig. 2

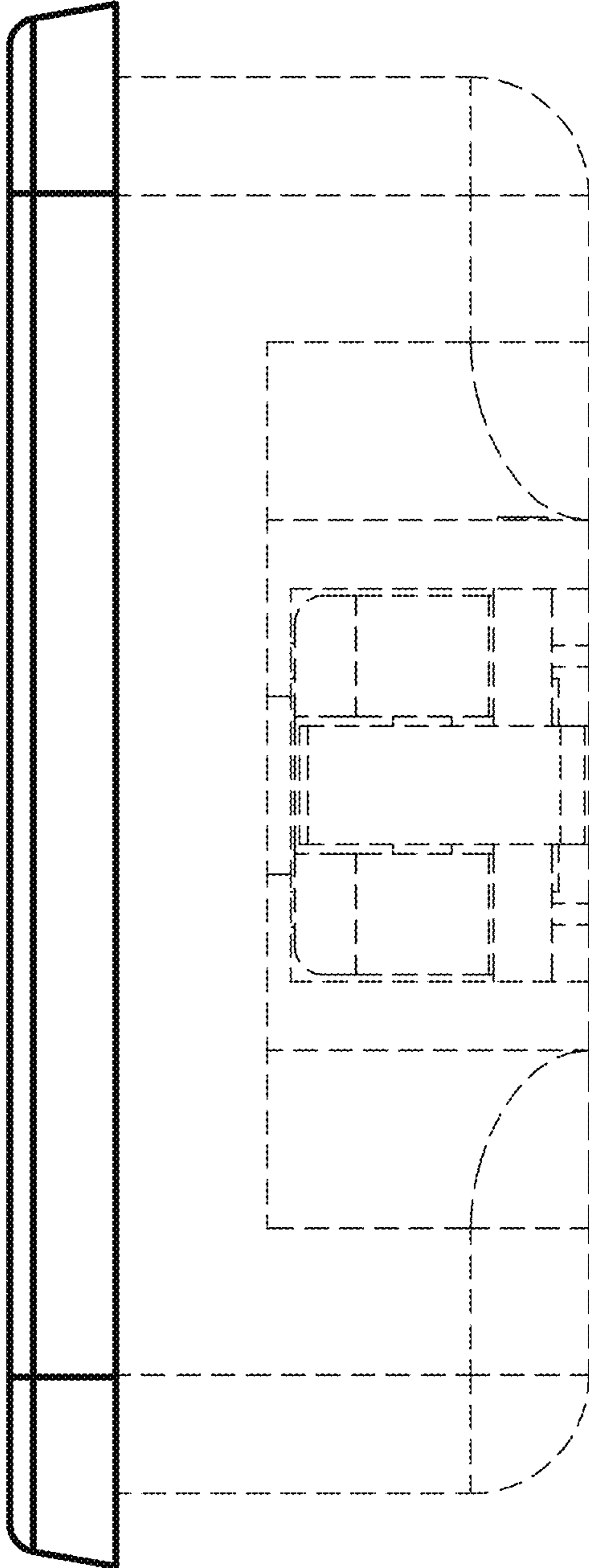


Fig. 3

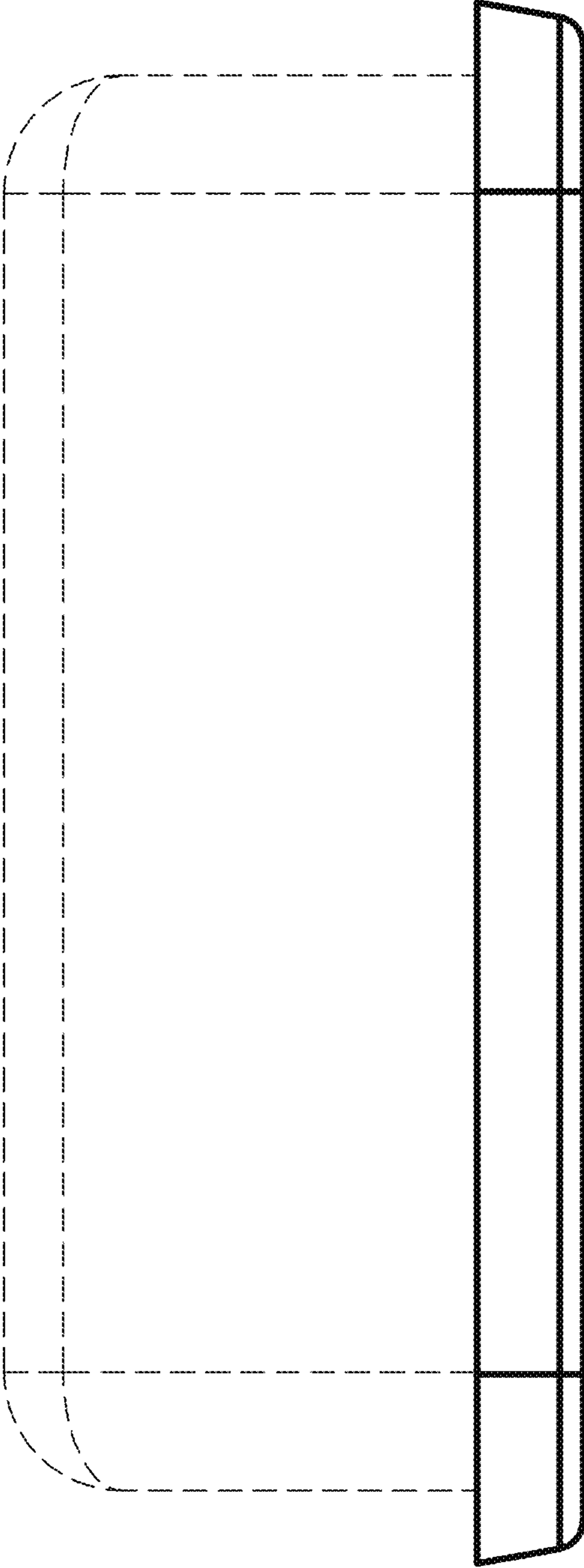


Fig. 4

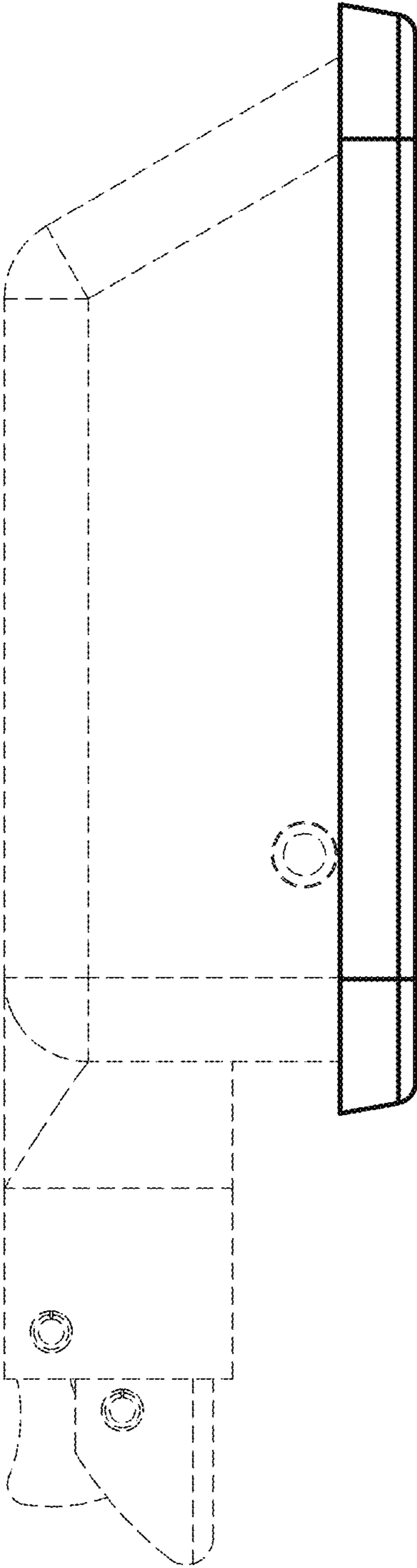


Fig. 5

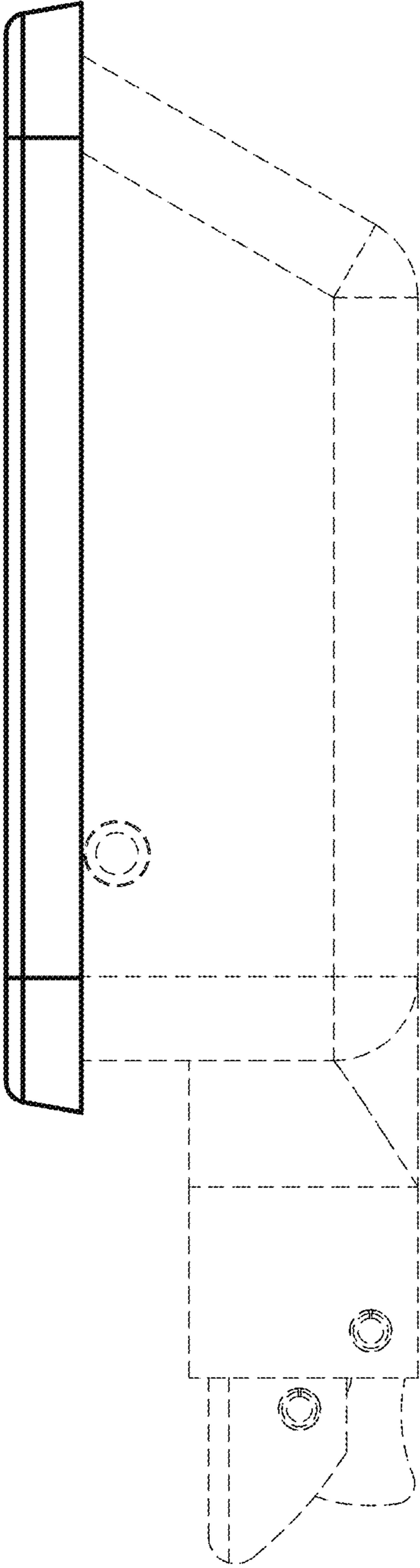


Fig. 6