



US00D837025S

(12) **United States Design Patent** (10) **Patent No.:** **US D837,025 S**  
**Demers et al.** (45) **Date of Patent:** **\*\* Jan. 1, 2019**

(54) **TOOL HANDLE**

CPC .. B62B 1/00; B27C 3/08; A45C 13/26; B25G 3/00; B25G 1/01; B25G 1/10; B32B 3/10  
See application file for complete search history.

(71) Applicant: **LOWE'S COMPANIES, INC.**,  
Mooresville, NC (US)

(56) **References Cited**

(72) Inventors: **Brian Joseph Demers**, Huntersville,  
NC (US); **Joseph Allen Berlepsch**,  
Mooresville, NC (US)

U.S. PATENT DOCUMENTS

(73) Assignee: **Lowe's Companies, Inc.**, Mooresville,  
NC (US)

(\*\*) Term: **15 Years**

(21) Appl. No.: **29/601,602**

(22) Filed: **Apr. 24, 2017**

106,079 A	8/1870	Sapp	
106,099 A	8/1870	Warren	
110,289 A	12/1870	Root	
114,283 A	5/1871	Gallaghee	
D41,494 S	6/1911	Seeley	
1,253,453 A	1/1918	Zorn	
1,257,948 A	2/1918	Aaron	
1,273,713 A	7/1918	Aaron	
D57,252 S	3/1921	Myers	
D59,774 S	11/1921	Rice	
D59,827 S	11/1921	Evenden et al.	
1,674,485 A	6/1928	Smith	
D92,822 S	7/1934	Morse	
D94,156 S	12/1934	Manning	
2,361,682 A	10/1944	Grabec	
D142,590 S	10/1945	Simon	
D151,860 S	11/1948	Stoyer	
D152,155 S	12/1948	Jacoff	
D177,537 S	4/1956	Schinske	
D180,805 S	8/1957	Plassman	
3,082,652 A	3/1963	Rene	
D199,088 S	9/1964	Hurlbut	
3,398,601 A	8/1968	Schroeder	
D218,009 S	7/1970	Bosack	
3,530,739 A	9/1970	Meier	
D233,507 S	11/1974	Stevens, Jr.	
D246,691 S	12/1977	Takahashi	
D271,843 S	12/1983	Ferdinand et al.	
D282,236 S	1/1986	Shohoji et al.	
D288,769 S	3/1987	Doman	
D288,770 S	3/1987	Doman	
D289,136 S	4/1987	Doman	
D301,967 S	7/1989	Sakamoto	
D316,020 S	4/1991	Fushiya et al.	
5,084,935 A	2/1992	Kalthoff	
D324,411 S	3/1992	Jolibois	
D325,506 S	4/1992	Michas et al.	
D328,559 S	8/1992	Wilson	
D329,590 S	9/1992	Chapman	
D332,561 S *	1/1993	Fushiya	D8/69
5,193,730 A *	3/1993	Tanaka	B25C 1/008 227/113
D358,746 S	5/1995	Neff	
D365,742 S	1/1996	Decursu et al.	
D375,269 S	11/1996	Wertheim et al.	

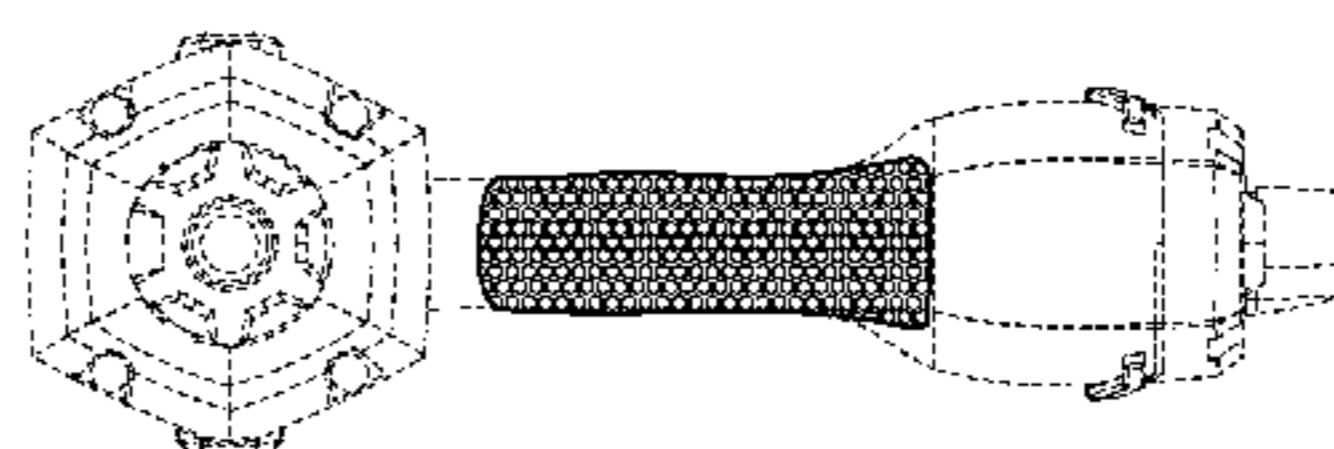
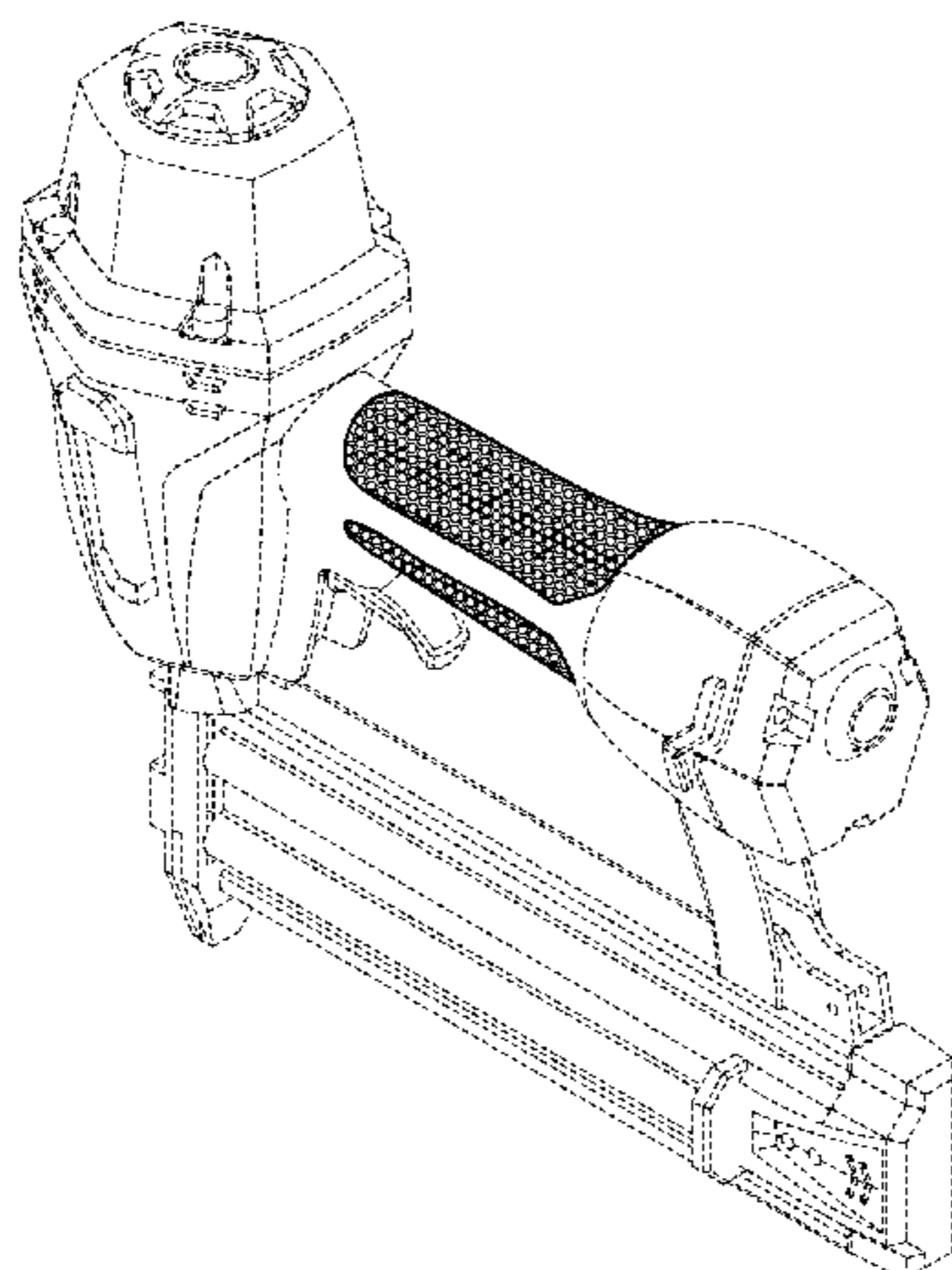
**Related U.S. Application Data**

(62) Division of application No. 29/530,843, filed on Jun. 19, 2015, now Pat. No. Des. 788,564, which is a division of application No. 29/472,387, filed on Nov. 12, 2013, now Pat. No. Des. 735,553, which is a division of application No. 29/406,984, filed on Nov. 21, 2011, now Pat. No. Des. 696,596, which is a division of application No. 29/390,549, filed on Apr. 26, 2011, now Pat. No. Des. 652,702, which is a division of application No. 29/361,192, filed on May 6, 2010, now Pat. No. Des. 639,132, which is a division of application No. 29/318,754, filed on May 27, 2008, now Pat. No. Des. 617,623, which is a division of application No. 29/249,420, filed on Oct. 5, 2006, now Pat. No. Des. 589,322.

(51) **LOC (11) Cl.** ..... **08-05**

(52) **U.S. Cl.**  
USPC ..... **D8/107**

(58) **Field of Classification Search**  
USPC ..... D8/107, 68, 69, 62, 97; D23/225, 250;  
D34/27; 16/430, 110.1, 431, 422;  
84/320; 239/302; 173/171, 217, 170;  
227/8, 2, 111-115, 120, 130, 136; 81/20,  
81/22; 408/124; 428/182, 159, 137, 138;  
D32/46, 52, 49, 40, 51



# US D837,025 S

5,579,556 A	12/1996	Chung		D487,025 S	2/2004	Grunstad et al.	
5,582,834 A	12/1996	Leung et al.		D487,875 S	3/2004	Wang	
D377,590 S *	1/1997	Lai .....	D8/49	D490,680 S	6/2004	Levine et al.	
D378,268 S	3/1997	Schultz		D491,083 S	6/2004	Lin	
D383,658 S *	9/1997	Kaiser .....	D8/68	6,742,222 B2	6/2004	Purr-Britt et al.	
D387,734 S	12/1997	Hawkins et al.		6,745,883 B2	6/2004	Eto et al.	
D389,394 S	1/1998	Taylor		6,752,556 B2	6/2004	Pearce	
D394,995 S	6/1998	Cooper		D492,559 S	7/2004	Itano	
D396,619 S	8/1998	Hunter		D495,226 S	8/2004	Grant et al.	
D398,507 S	9/1998	Thompson et al.		6,772,994 B1	8/2004	Lawless	
D399,113 S	10/1998	Balolia		6,776,073 B1	8/2004	Brady et al.	
5,839,992 A	11/1998	Phillips et al.		6,796,002 B2	9/2004	Beckwith	
D406,520 S	3/1999	Bunzel et al.		6,858,286 B1 *	2/2005	Simm .....	B25F 5/006
D407,000 S	3/1999	Jacoff					16/421
D410,859 S	6/1999	Hioki		D502,377 S	3/2005	Aglassinger	
D412,273 S	7/1999	Chung		D503,351 S	3/2005	Chen	
D415,007 S	10/1999	Jimenez et al.		D503,897 S	4/2005	Lin	
D415,971 S	11/1999	Hsu		D504,077 S	4/2005	DeBoer et al.	
D416,179 S	11/1999	Staton et al.		D507,195 S	7/2005	Kondo et al.	
D416,182 S *	11/1999	Kaiser .....	D8/69	D507,197 S	7/2005	Sun	
D416,184 S	11/1999	Gathmann		D510,247 S	10/2005	White	
D416,775 S *	11/1999	Hwang .....	D8/69	D510,849 S *	10/2005	Carlson .....	D8/62
D416,776 S	11/1999	Liu		D512,291 S *	12/2005	Thomas .....	D8/69
D418,730 S	1/2000	Main		D515,383 S	2/2006	Aglassinger	
D418,731 S	1/2000	Rowlay et al.		D515,389 S	2/2006	Hsu	
D420,879 S	2/2000	Watson et al.		D516,893 S	3/2006	Kuo	
D421,231 S	2/2000	Hsu		D517,888 S	3/2006	DeBoer et al.	
D422,481 S	4/2000	Bertani		D517,889 S	3/2006	Hsieh	
D424,401 S	5/2000	Ziemer		D519,017 S	4/2006	Hsieh	
6,056,344 A	5/2000	Forsyth		D519,816 S	5/2006	Budrow et al.	
D429,134 S	8/2000	Schultz et al.		D520,856 S	5/2006	Osiecki et al.	
D432,034 S	10/2000	Heimerle		D520,859 S	5/2006	Osiecki et al.	
D432,381 S	10/2000	Khachatoorian		D521,346 S	5/2006	Budrow et al.	
D432,883 S	10/2000	Wingert		D521,347 S	5/2006	Budrow et al.	
6,128,808 A	10/2000	Jansson et al.		7,051,626 B1 *	5/2006	Chen .....	B25G 1/085
D433,344 S	11/2000	Hsu					403/290
D434,298 S *	11/2000	Izumisawa .....	D8/68	D522,889 S	6/2006	Wallace	
6,186,386 B1 *	2/2001	Canlas .....	B25C 1/008	D523,234 S	6/2006	DeBoer et al.	
			227/142	D527,236 S	8/2006	Wu	
6,189,759 B1 *	2/2001	Canlas .....	B25C 1/005	D528,910 S	9/2006	Kingsley	
			227/120	D529,357 S	10/2006	Qiu	
6,195,562 B1	2/2001	Pirhonen et al.		D530,200 S	10/2006	Kingsley	
D440,848 S	4/2001	Izumisawa		D533,455 S	12/2006	Leck et al.	
D440,856 S	4/2001	Jimenez		D533,796 S	12/2006	Radivojevic et al.	
D441,269 S	5/2001	Tsai		D534,091 S	12/2006	Ebihara	
D441,671 S	5/2001	Hsu		D536,908 S	2/2007	Eros	
D442,053 S	5/2001	Jimenez		D536,944 S	2/2007	Tsai et al.	
D442,458 S	5/2001	Jimenez		D537,308 S	2/2007	Wang	
D446,942 S	8/2001	Kim		D537,676 S	3/2007	Kingsley	
6,290,115 B1 *	9/2001	Chen .....	B25C 1/005	D537,697 S	3/2007	Jimenez	
			221/238	D538,129 S	3/2007	Jansson et al.	
D449,546 S	10/2001	Lee		D543,081 S *	5/2007	Watson .....	D8/68
D453,880 S	2/2002	Cheyne		D543,085 S	5/2007	Aglassinger	
D454,477 S	3/2002	Lin		D543,812 S	6/2007	Burry et al.	
6,363,579 B1	4/2002	King, Jr.		D543,828 S	6/2007	Strutin-Belinoff et al.	
6,371,348 B1 *	4/2002	Canlas .....	B25C 1/008	D544,383 S	6/2007	Tarver, III	
			123/46 SC	D544,770 S	6/2007	Yang	
D456,727 S	5/2002	Yang		D547,624 S	7/2007	Strahorn	
D457,003 S	5/2002	Newman et al.		D550,058 S	9/2007	Aglassinger	
D467,483 S *	12/2002	Heun .....	D8/68	D556,536 S	12/2007	Aglassinger	
D468,607 S	1/2003	Price et al.		D560,127 S	1/2008	Elam	
D471,784 S	3/2003	Garvis et al.		D562,398 S	2/2008	Qiu et al.	
D471,976 S	3/2003	Pavlu et al.		D568,715 S	5/2008	Gustafson et al.	
D474,412 S	5/2003	Ichinose et al.		D570,664 S	6/2008	Tang	
D474,528 S	5/2003	Huang		D571,679 S	6/2008	McEwan et al.	
D475,269 S	6/2003	Matern		D572,553 S *	7/2008	Demers .....	D8/58
D475,598 S	6/2003	Hung		D572,558 S	7/2008	Demers et al.	
D477,980 S	8/2003	Chang		D572,559 S	7/2008	Demers et al.	
D478,292 S	8/2003	Hsu		D572,560 S	7/2008	Demers et al.	
D479,110 S *	9/2003	Nolan .....	D8/68	D572,561 S *	7/2008	Demers .....	D8/97
D482,203 S	11/2003	Goulet		D572,563 S	7/2008	McRoberts et al.	
D482,259 S	11/2003	Chen		D572,613 S	7/2008	Levick et al.	
D483,633 S	12/2003	Jansson et al.		D572,614 S	7/2008	McEwan et al.	
D483,634 S	12/2003	Jansson et al.		D576,853 S	9/2008	Aglassinger	
D484,767 S	1/2004	Hsu		D578,852 S	10/2008	Enriquez	
D485,738 S *	1/2004	Pretzell .....	D8/69	D584,116 S	1/2009	Jackson	
D486,047 S	2/2004	Jansson et al.		D584,592 S	1/2009	Irby	
D486,050 S	2/2004	Rampen		D585,261 S	1/2009	Shih	
D486,716 S	2/2004	Levine et al.		D589,321 S *	3/2009	Demers .....	D8/107

D589,322	S *	3/2009	Demers .....	D8/107
D590,225	S *	4/2009	Sell .....	D8/68
D591,570	S	5/2009	Lee et al.	
D594,304	S	6/2009	Aglassinger	
D597,811	S	8/2009	Yu	
D600,996	S	9/2009	Sterling	
7,594,548	B1 *	9/2009	Puzio .....	B23B 45/02 173/170
D604,186	S	11/2009	Schrage	
D604,579	S	11/2009	Robinson et al.	
D604,580	S	11/2009	Robinson et al.	
D604,582	S	11/2009	Chu	
D605,012	S	12/2009	Robinson et al.	
D608,616	S *	1/2010	Demers .....	D8/107
D609,549	S *	2/2010	Demers .....	D8/107
D615,381	S *	5/2010	Demers .....	D8/107
D617,623	S *	6/2010	Demers .....	D8/80
7,730,589	B2	6/2010	Dineen	
7,766,097	B2 *	8/2010	Kondo .....	H01M 2/1066 173/162.2
7,770,262	B2 *	8/2010	Schultz .....	B25F 5/006 16/110.1
D627,619	S	11/2010	Demers et al.	
D639,132	S *	6/2011	Demers .....	D8/107
D642,889	S	8/2011	Boehm et al.	
D644,906	S *	9/2011	Demers .....	D10/72
D644,909	S *	9/2011	Demers .....	D8/107
D652,702	S *	1/2012	Demers .....	D8/52
D655,994	S	3/2012	Schoch	
D671,387	S *	11/2012	Demers .....	D8/107
8,330,029	B2	12/2012	Dunlop	
D673,436	S	1/2013	Murray et al.	
D673,437	S	1/2013	Schoch	
8,418,321	B1	4/2013	Heiman	
D696,596	S *	12/2013	Demers .....	D10/72
D735,553	S *	8/2015	Demers .....	D8/107
D788,564	S *	6/2017	Demers .....	D8/107
2003/0094294	A1 *	5/2003	Fritz .....	B25F 5/006 173/171
2003/0172498	A1	9/2003	Polzin et al.	
2004/0246735	A1	12/2004	Huang	
2006/0090265	A1	5/2006	Fisher et al.	
2006/0175069	A1 *	8/2006	Sakakibara .....	B25F 5/02 173/217

FOREIGN PATENT DOCUMENTS

EM	000702089-0002	4/2007
JP	D 1253453	2/2005
TW	144783 B	10/1990
TW	232614 B	10/1994
TW	251211 B	7/1995
TW	309829 B	7/1997
TW	390769 B	5/2000
TW	391820 B	5/2000
TW	403527 B	8/2000
TW	405983 B	9/2000

TW	433951 B	5/2001
TW	440312 B	6/2001
TW	440384 B	6/2001
TW	443904 B	6/2001
TW	453826 B	9/2001
TW	478775 B	3/2002
TW	539445 B	6/2003
TW	542548 B	7/2003
TW	D 106099	8/2004
TW	D 114283	2/2005
TW	D 110289	4/2005
TW	D 106079	8/2005

OTHER PUBLICATIONS

Taiwanese Search Report for Design Application No. 096301934, dated Nov. 28, 2008.

\* cited by examiner

*Primary Examiner* — Paula Allen Greene  
(74) *Attorney, Agent, or Firm* — Moore & Van Allen PLLC; W. Kevin Ransom

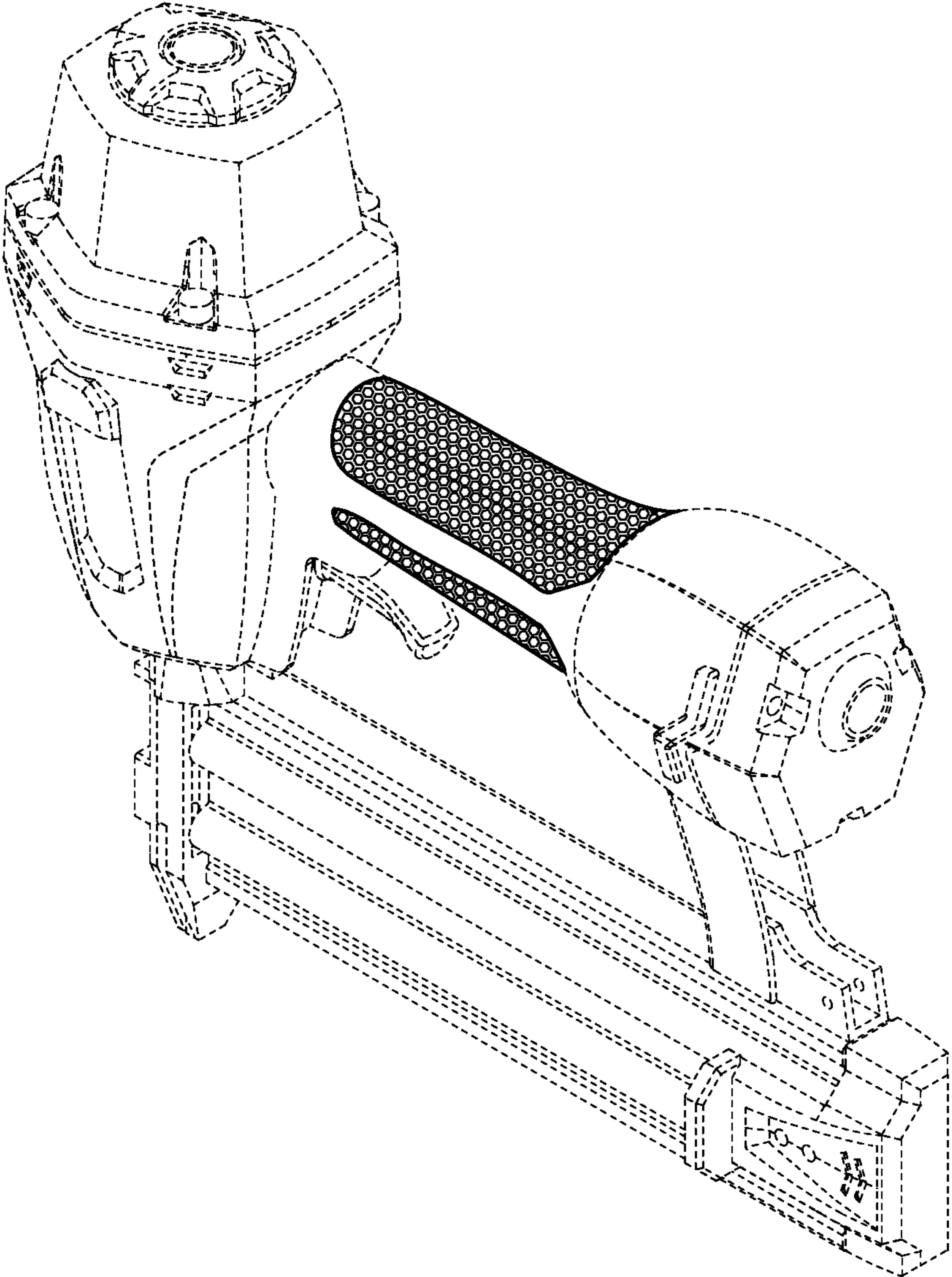
(57) CLAIM

The ornamental design for a tool handle, as shown and described.

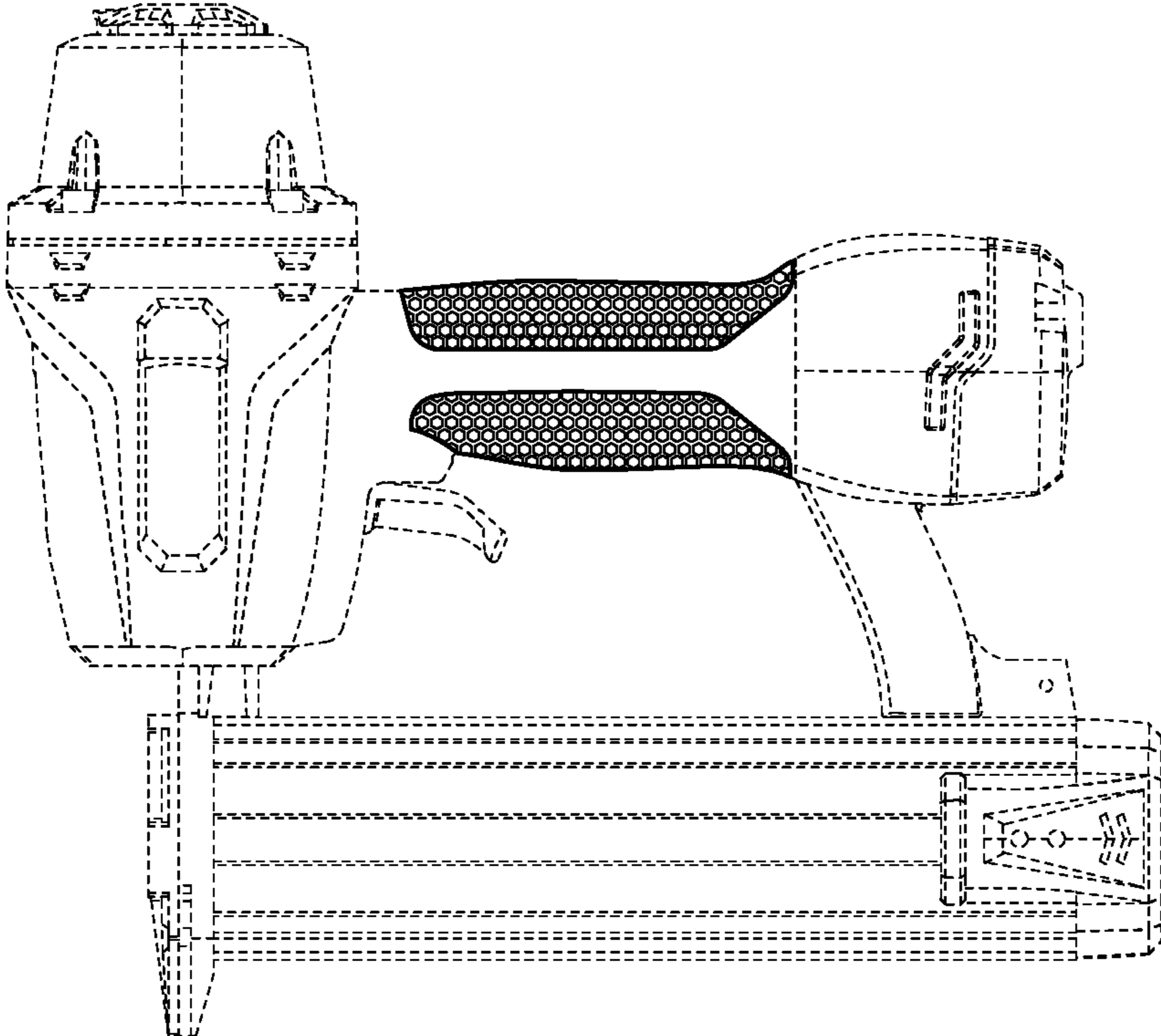
DESCRIPTION

FIG. 1 is a perspective view of a tool handle according to the present invention;  
FIG. 2 is an elevational view of the front side of the tool handle of FIG. 1;  
FIG. 3 is an elevational view of the rear side of the tool handle of FIG. 1;  
FIG. 4 is a plan view of the top side of the tool handle of FIG. 1;  
FIG. 5 is a plan view of the bottom side of the tool handle of FIG. 1;  
FIG. 6 is an elevational view of the left side of the tool handle of FIG. 1; and,  
FIG. 7 is an elevational view of the right side of the tool handle of FIG. 1.  
The broken lines shown in the drawings illustrate unclaimed portions of the tool handle and environmental structure, and form no part of the claimed design.

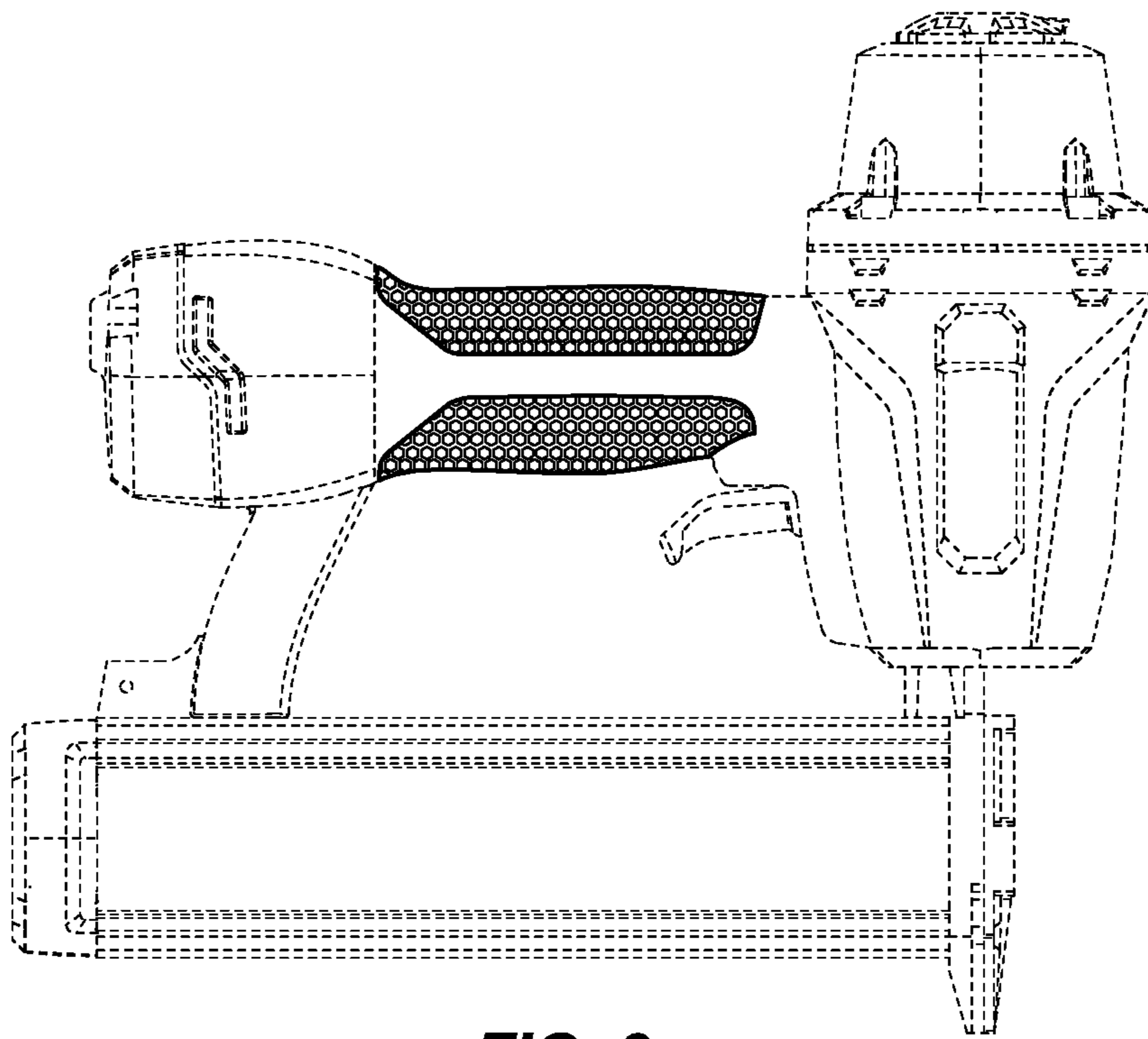
1 Claim, 7 Drawing Sheets



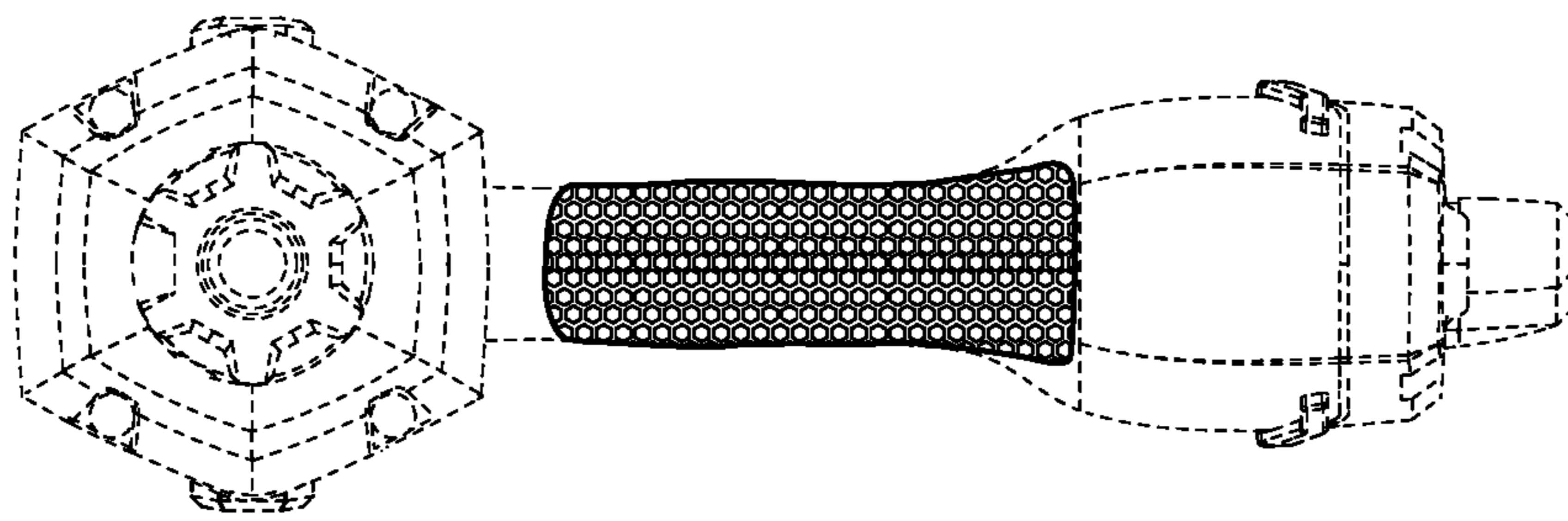
**FIG. 1**



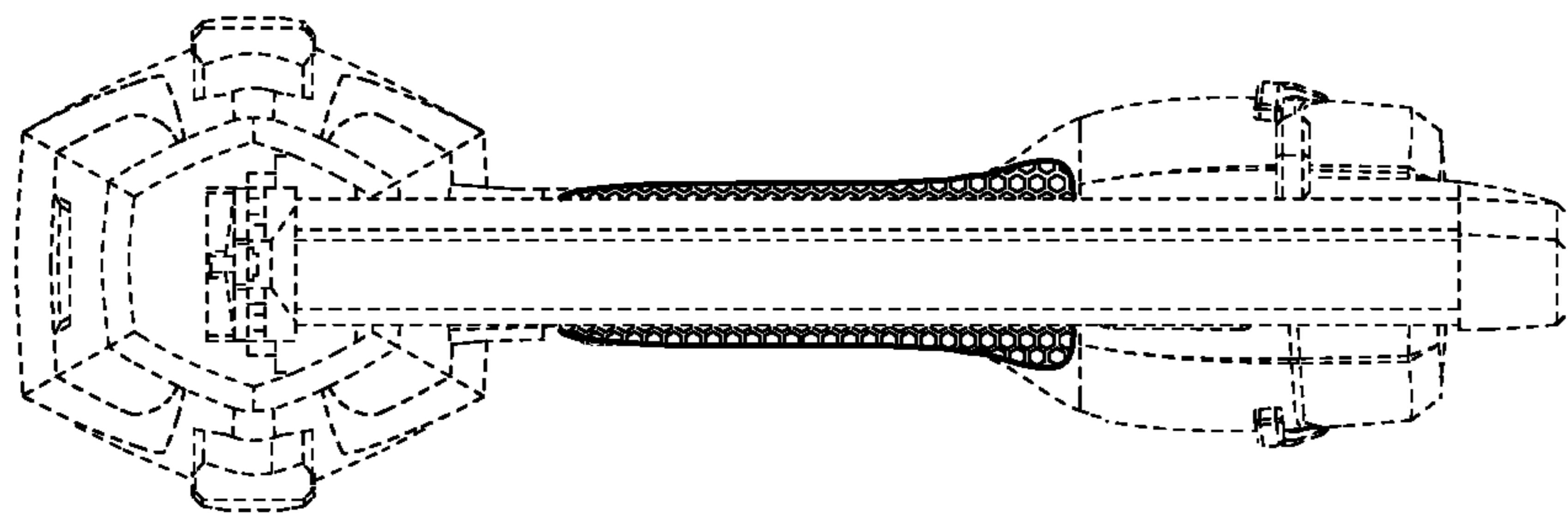
**FIG. 2**



**FIG. 3**

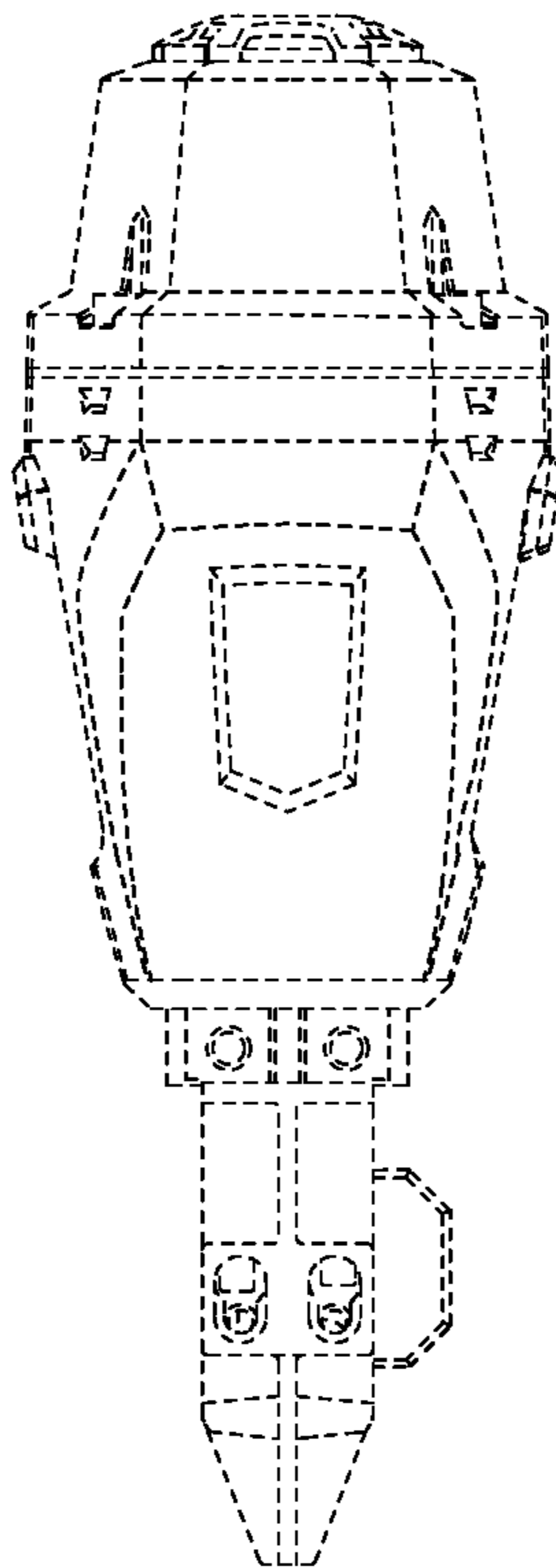


**FIG. 4**

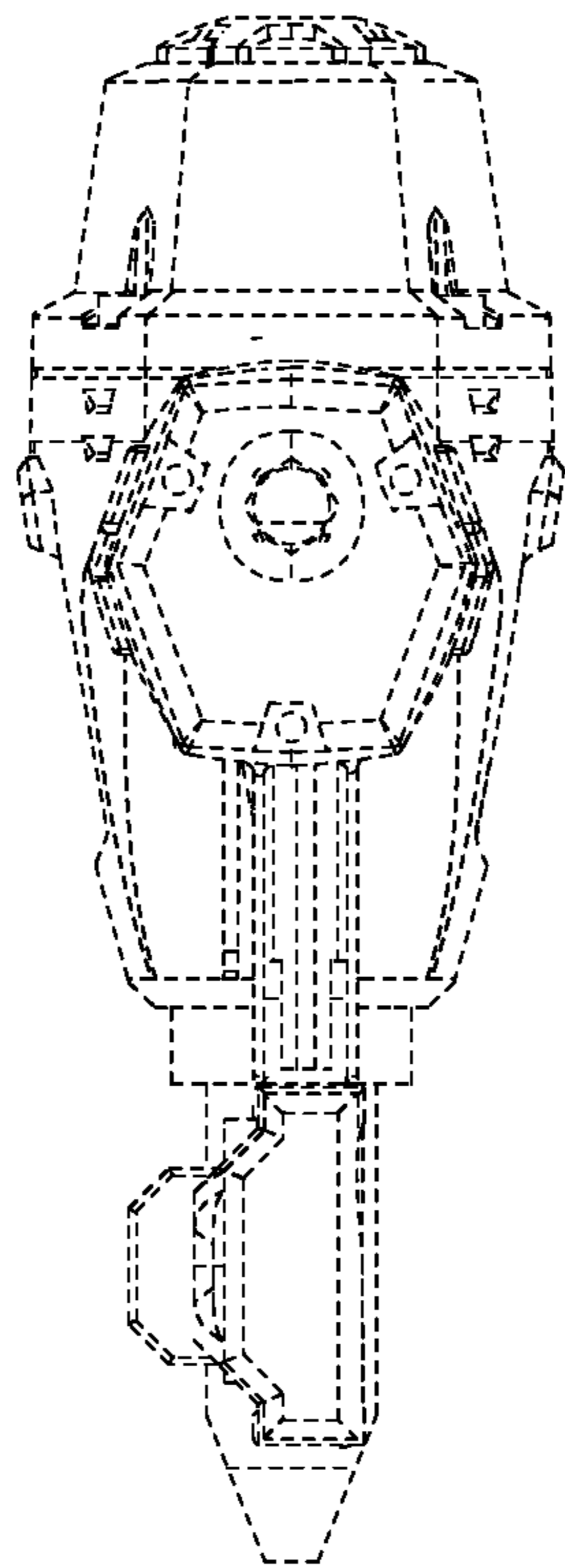


**FIG. 5**





**FIG. 6**



**FIG. 7**