



US00D837023S

(12) **United States Design Patent**  
**Matsuoka**

(10) **Patent No.:** **US D837,023 S**

(45) **Date of Patent:** **\*\* Jan. 1, 2019**

(54) **KITCHEN KNIFE SHARPENER**  
(71) Applicant: **KYOCERA Corporation**, Kyoto (JP)  
(72) Inventor: **Takafumi Matsuoka**, Kyoto (JP)  
(73) Assignee: **KYOCERA Corporation**, Kyoto (JP)

(\*\*) Term: **15 Years**

(21) Appl. No.: **29/605,212**

(22) Filed: **May 24, 2017**

(30) **Foreign Application Priority Data**

Jan. 26, 2017 (JP) ..... 2017-001321

(51) **LOC (11) Cl.** ..... **08-05**

(52) **U.S. Cl.**  
USPC ..... **D8/93**

(58) **Field of Classification Search**  
USPC ..... D8/63, 90, 91, 92, 93  
CPC .... B24B 3/54; B24B 3/36; B24B 3/58; B24B  
3/00; B24B 23/08; B24B 15/00; B24B  
15/06; B24B 15/063; B24B 15/08  
See application file for complete search history.

(56) **References Cited**

**U.S. PATENT DOCUMENTS**

D309,415 S \* 7/1990 Shimizu ..... D8/63  
D388,304 S \* 12/1997 Friel ..... D8/93  
D392,869 S \* 3/1998 Rieser ..... D8/93

D641,225 S \* 7/2011 Friel, Sr. .... D8/93  
D641,226 S \* 7/2011 Friel, Sr. .... D8/93  
D665,647 S \* 8/2012 Friel, Sr. .... D8/93  
D669,755 S \* 10/2012 Huber ..... D8/93  
D673,833 S \* 1/2013 Kay ..... D8/93  
D736,587 S \* 8/2015 Cavanaugh ..... D8/93  
9,648,749 B1 \* 5/2017 Christiansen ..... H05K 1/181  
D817,738 S \* 5/2018 Chen ..... D8/93

\* cited by examiner

*Primary Examiner* — Philip S Hyder

(74) *Attorney, Agent, or Firm* — Studebaker & Brackett  
PC

(57) **CLAIM**

The ornamental design for a kitchen knife sharpener, as shown and described.

**DESCRIPTION**

FIG. 1 is a front view of a kitchen knife sharpener showing my new design;  
FIG. 2 is a rear view thereof;  
FIG. 3 is a top view thereof;  
FIG. 4 is a bottom view thereof;  
FIG. 5 is a right view thereof;  
FIG. 6 is a left view thereof;  
FIG. 7 is a first perspective view thereof; and,  
FIG. 8 is a second perspective view thereof.  
The broken lines of FIG. 4 are for illustrating portions of the kitchen knife sharpener that form no part of the claimed design.

**1 Claim, 4 Drawing Sheets**

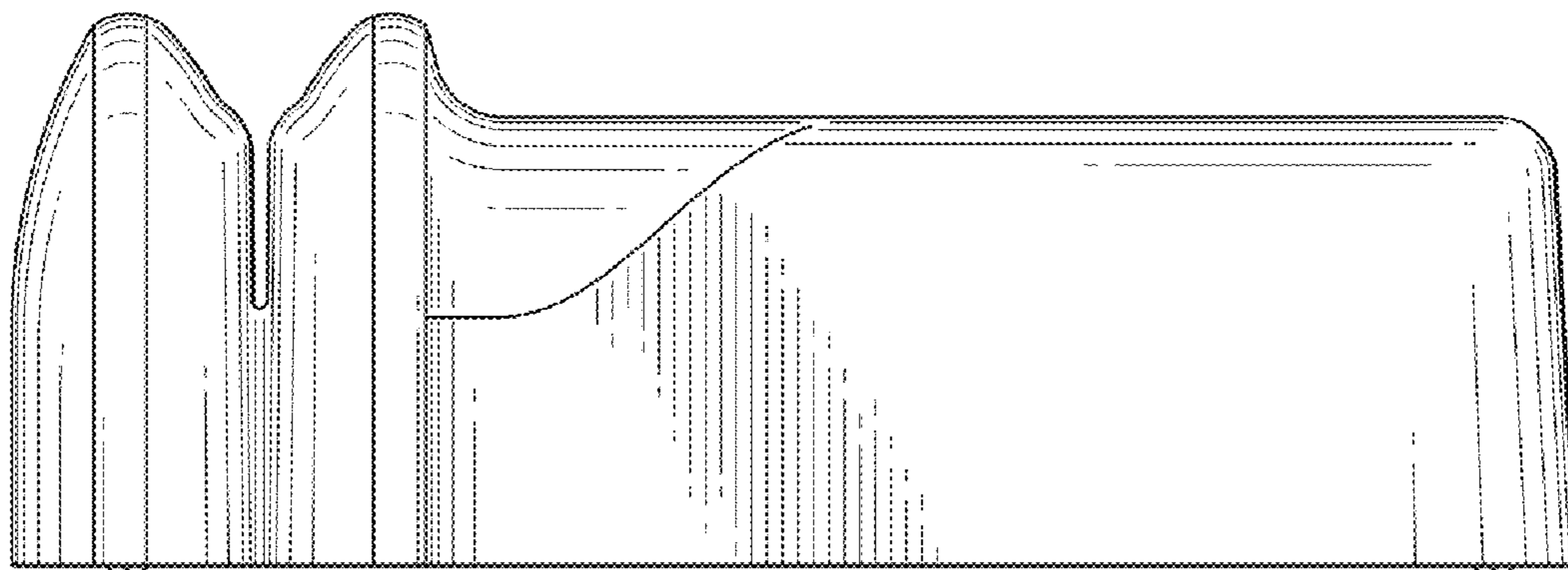


FIG.1

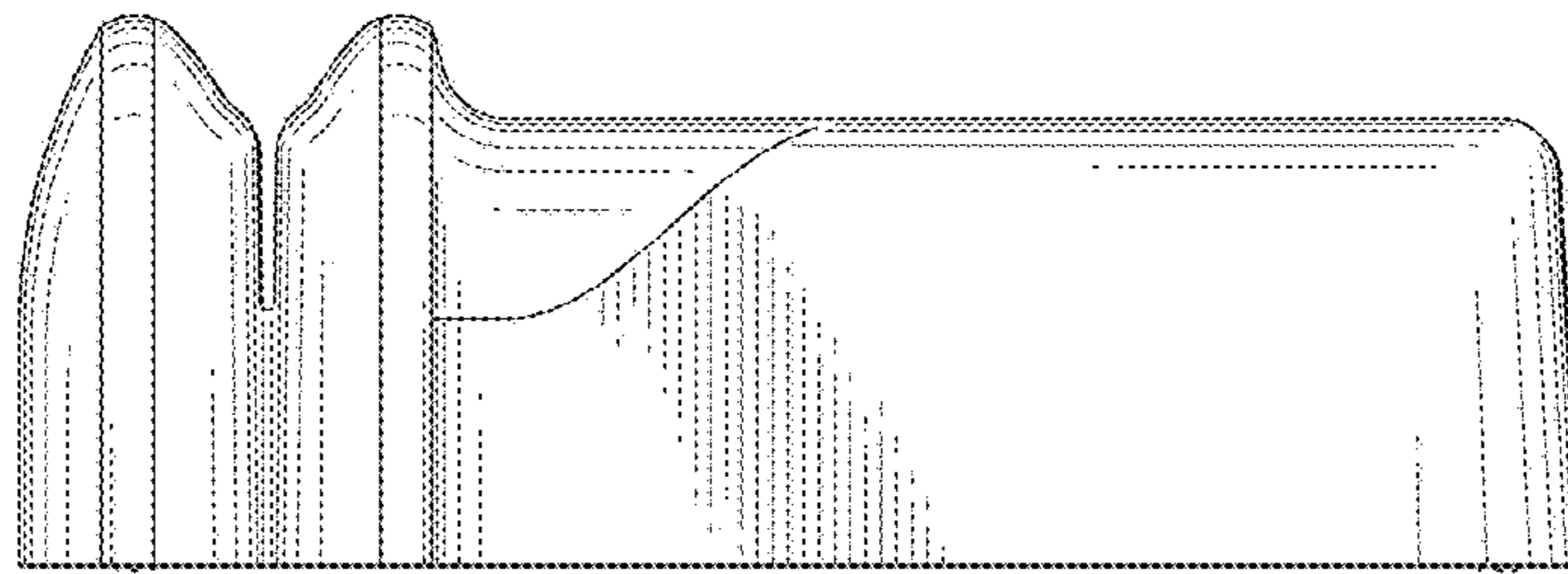


FIG.2

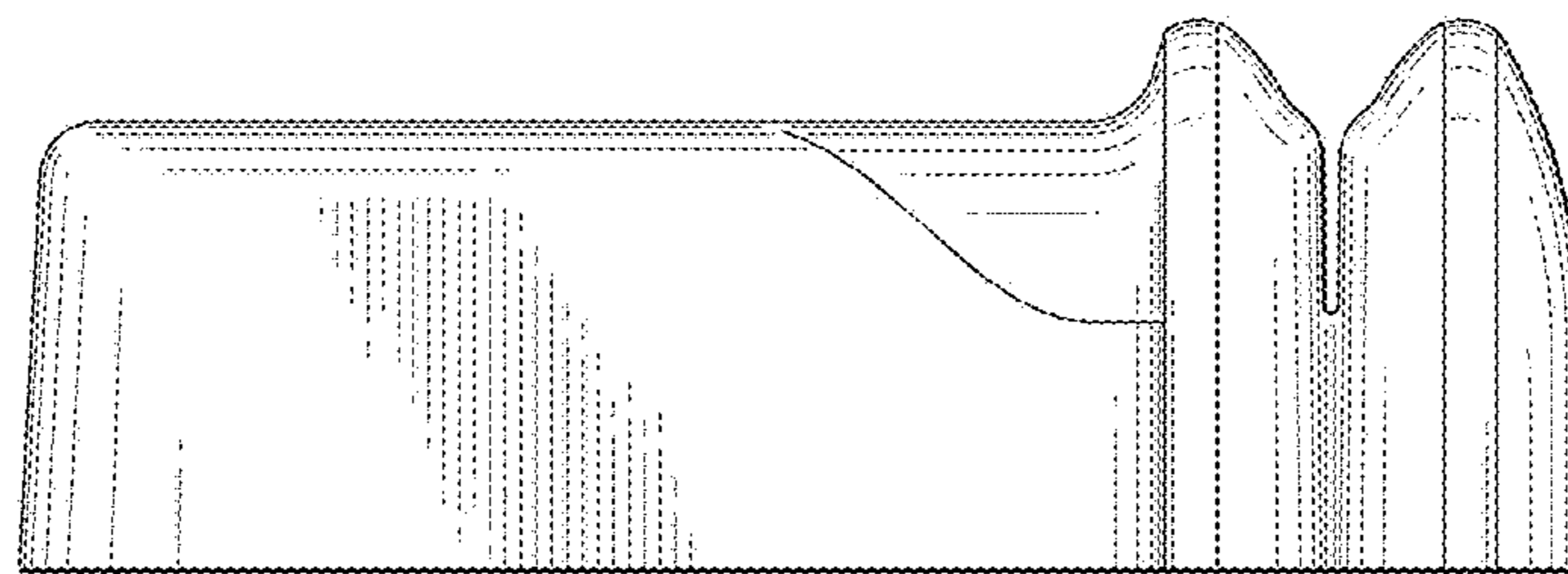


FIG.3

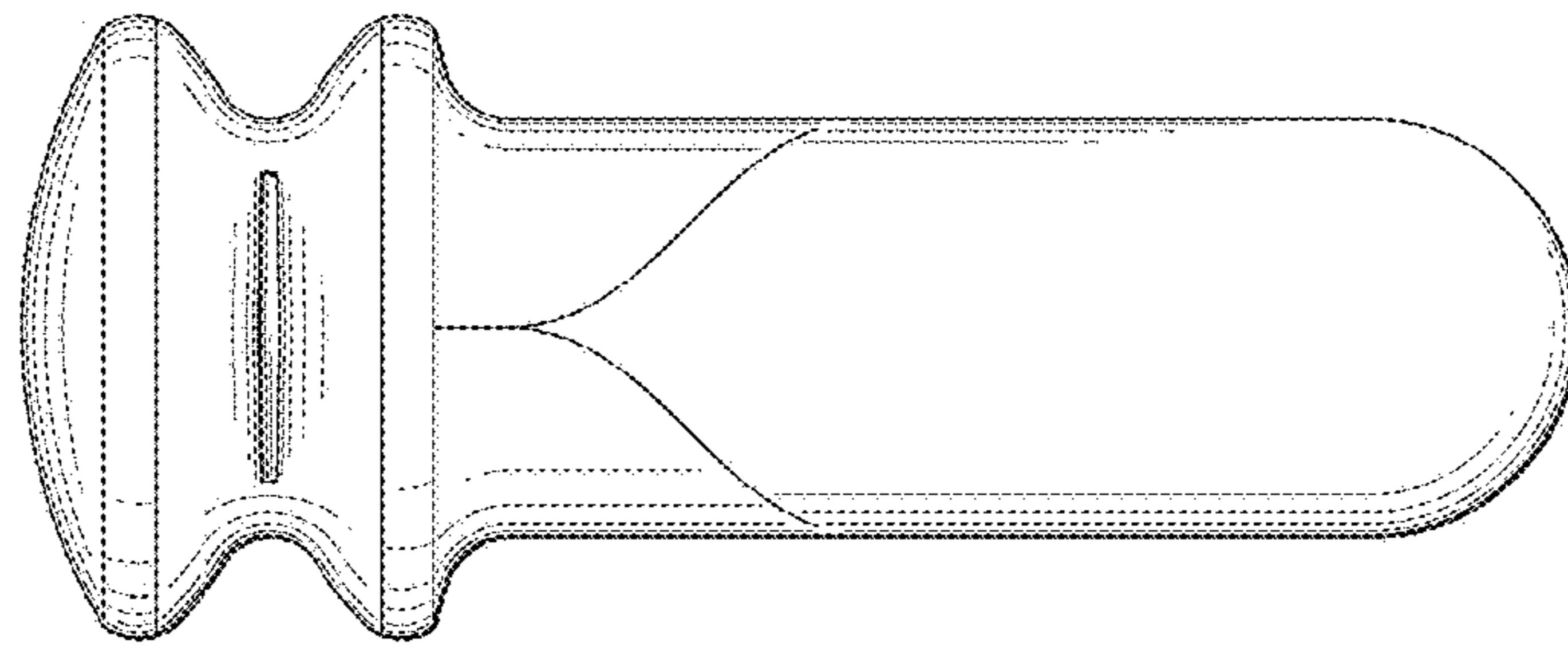


FIG.4

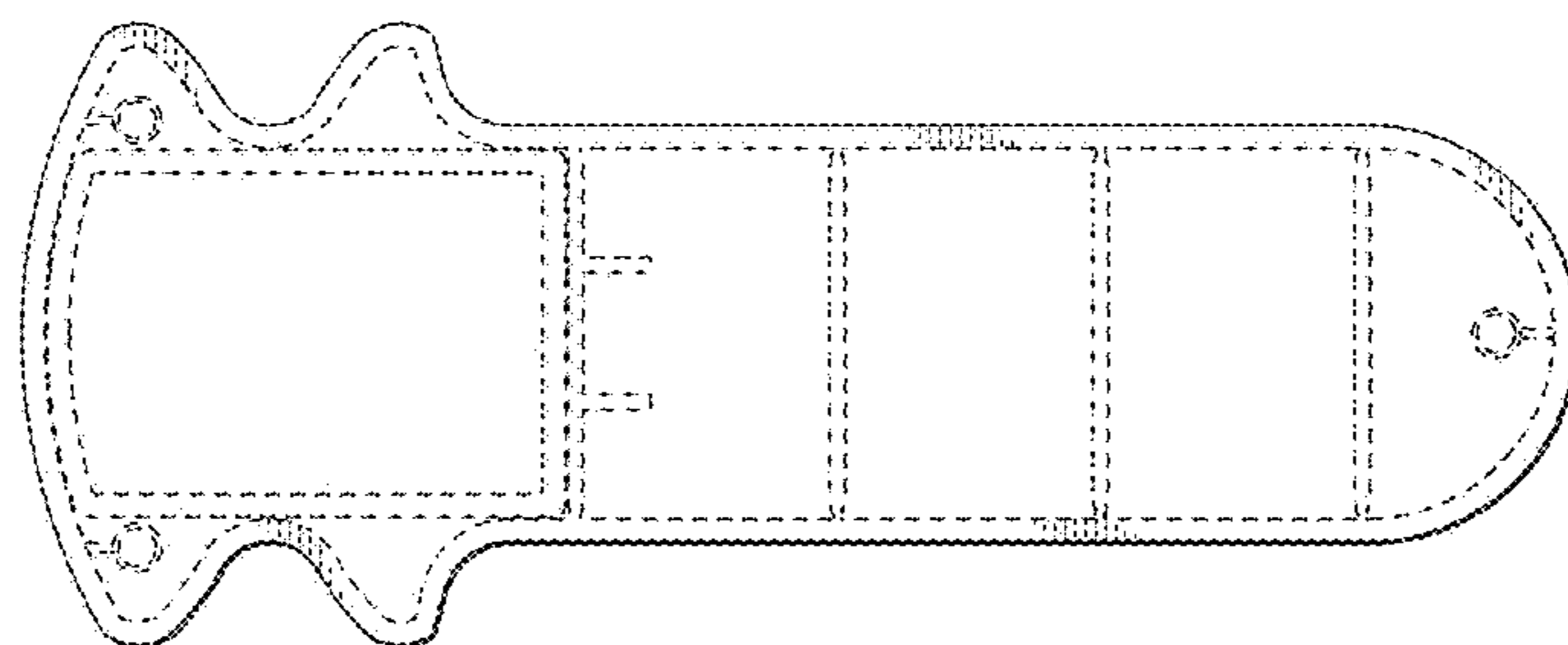


FIG.5

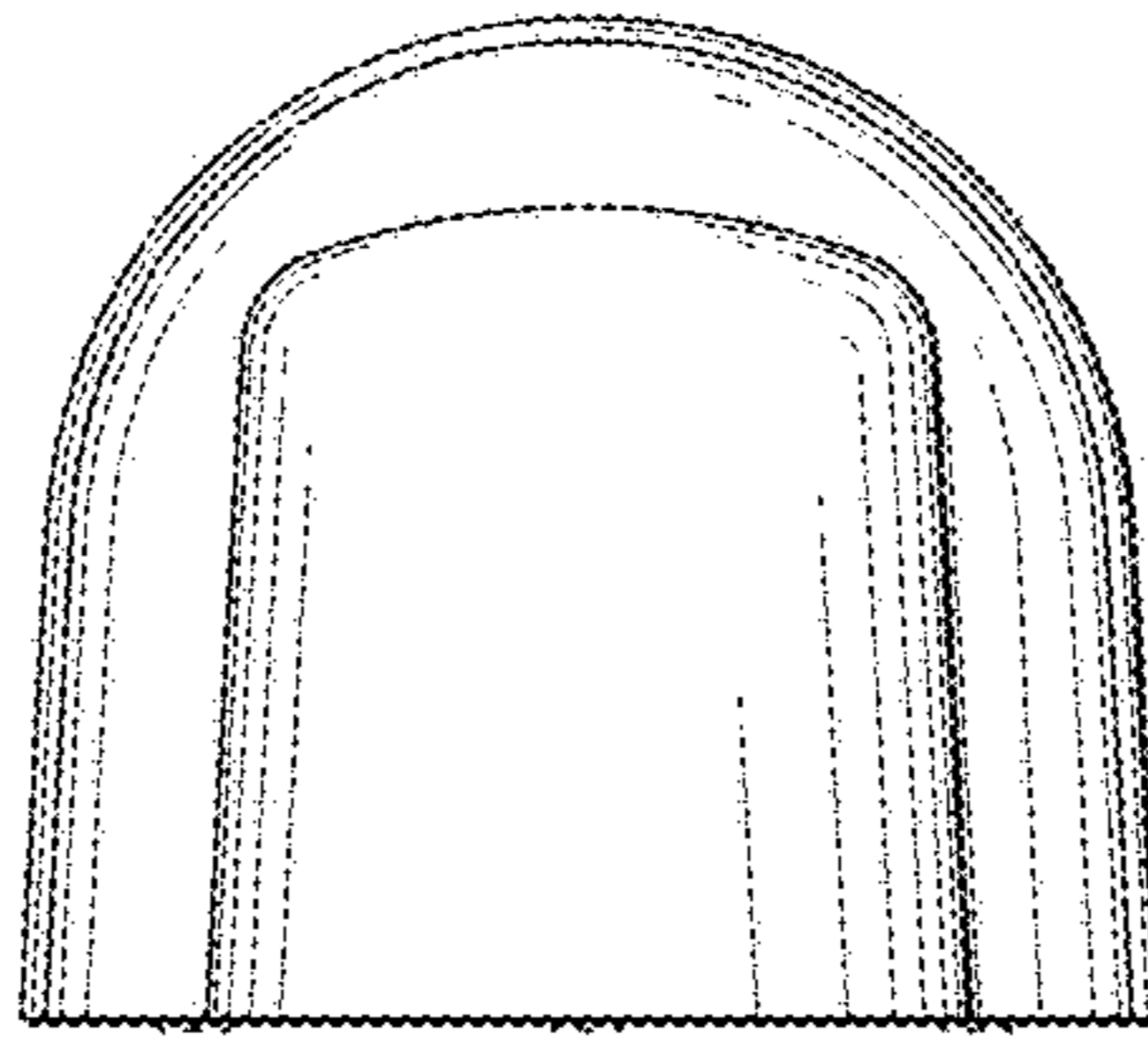


FIG.6

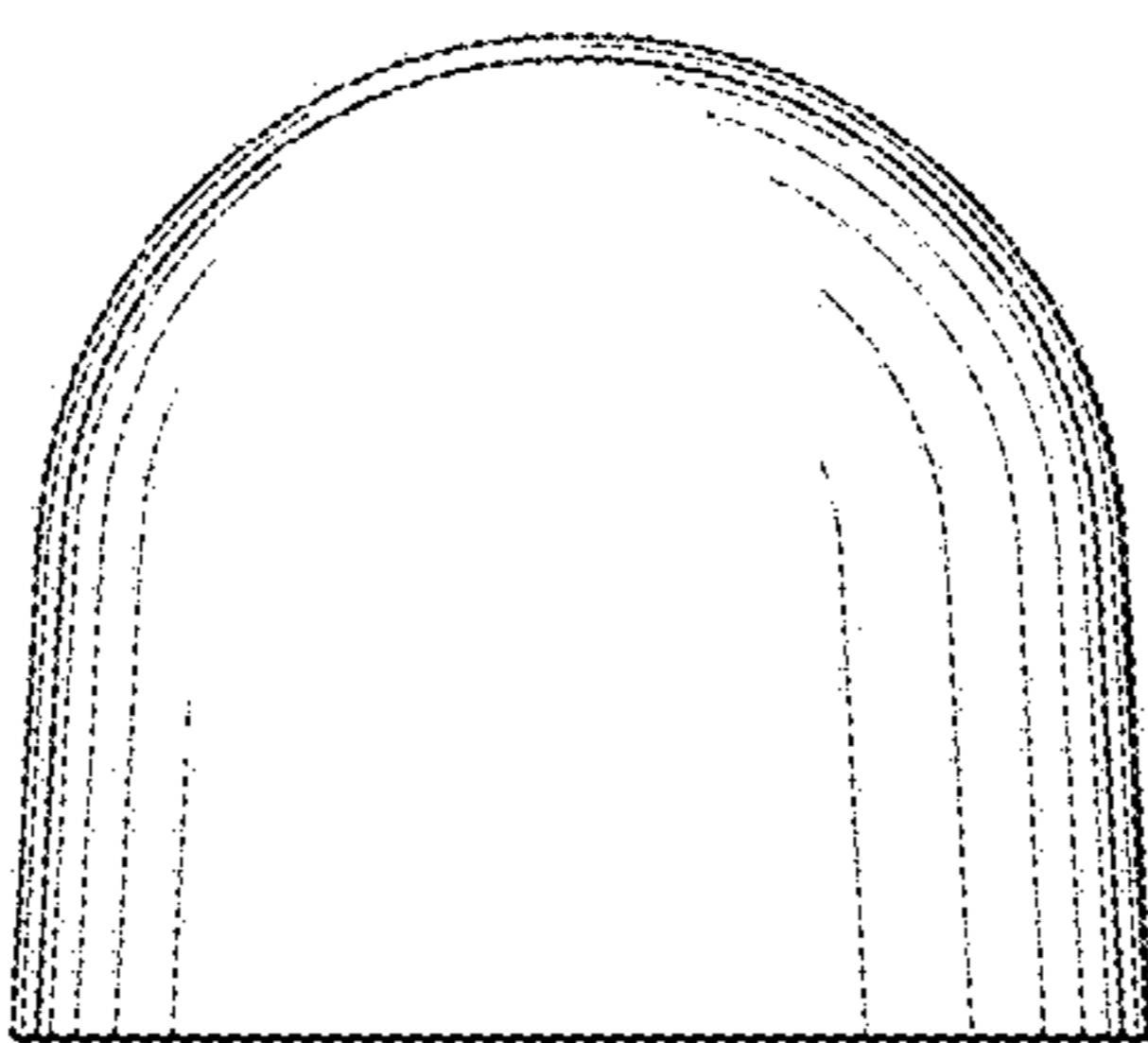


FIG.7

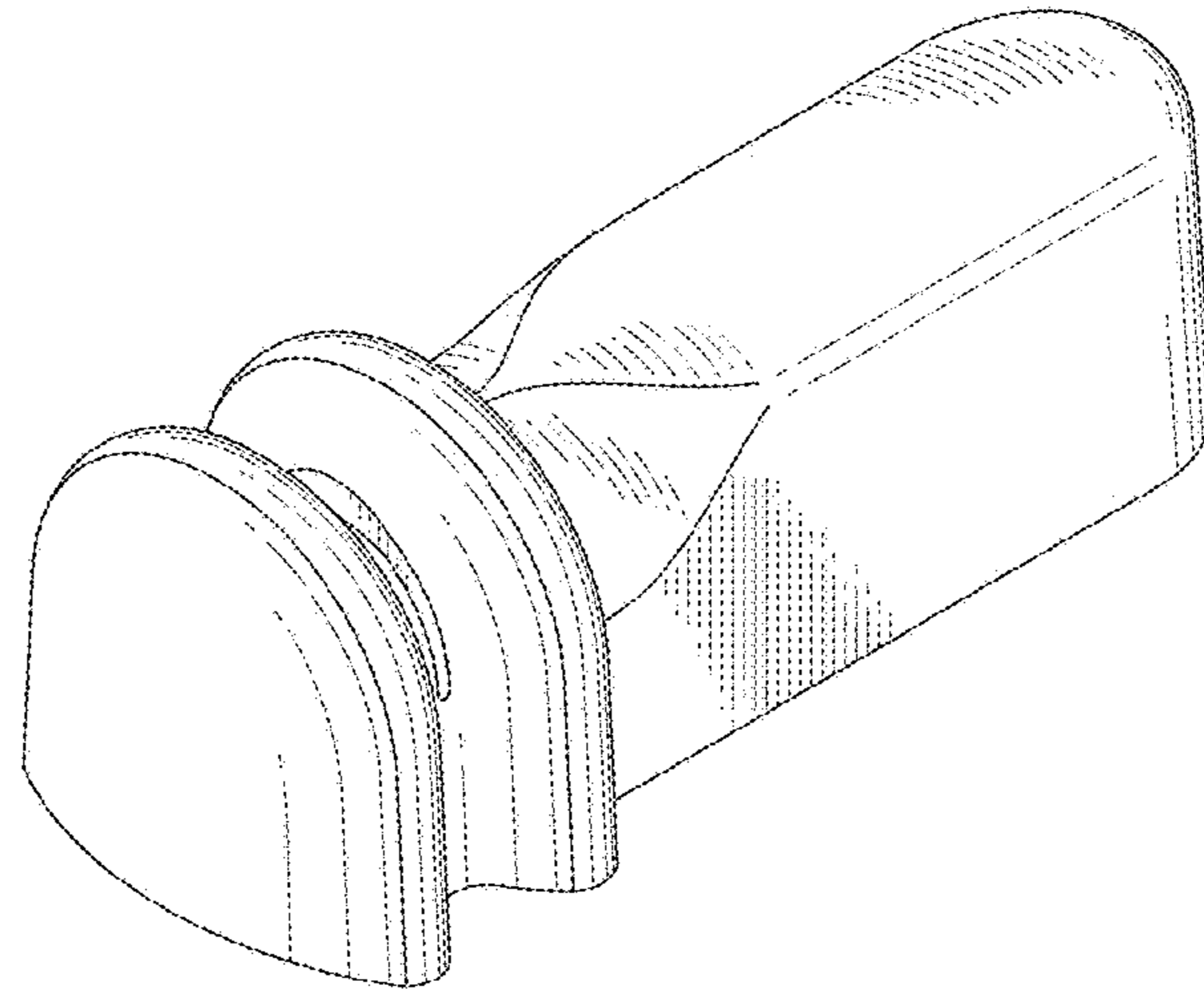


FIG.8

