



US00D837019S

(12) **United States Design Patent**
Hyma et al.

(10) **Patent No.:** **US D837,019 S**
(45) **Date of Patent:** **** Jan. 1, 2019**

(54) **HAMMER**
(71) Applicant: **MILWAUKEE ELECTRIC TOOL CORPORATION**, Brookfield, WI (US)
(72) Inventors: **Steven W. Hyma**, Milwaukee, WI (US); **Alexander J. Paulsen**, Milwaukee, WI (US)
(73) Assignee: **Milwaukee Electric Tool Corporation**, Brookfield, WI (US)

D748,447 S * 2/2016 Hung D8/75
D777,549 S * 1/2017 Hung D8/78
D781,123 S * 3/2017 Chen D8/78
D781,124 S * 3/2017 Chen D8/78
D789,760 S * 6/2017 Hung D8/75
2014/0165787 A1* 6/2014 Lombardi B25G 1/02
81/22

(**) Term: **15 Years**

(21) Appl. No.: **29/584,967**

(22) Filed: **Nov. 18, 2016**

(51) **LOC (11) Cl.** **08-02**

(52) **U.S. Cl.**
USPC **D8/78**

(58) **Field of Classification Search**
USPC D8/75, 76, 77, 78, 79, 80, 81, 105, 107
CPC ... B25D 1/00; B25D 1/02; B25D 1/04; B25D 1/045; B25D 1/06; B25D 1/10; B25D 1/12; B25G 1/102
See application file for complete search history.

(56) **References Cited**

U.S. PATENT DOCUMENTS

D452,126 S * 12/2001 Hung D8/75
D470,380 S * 2/2003 Huang D8/75
D474,667 S 5/2003 Hung
6,619,408 B1 * 9/2003 Lai B25G 1/01
16/110.1
D716,126 S * 10/2014 Dahlberg D8/75
D747,943 S * 1/2016 Hung D8/75

FOREIGN PATENT DOCUMENTS

TW D181364 S 2/2017

* cited by examiner

Primary Examiner — Philip S Hyder

(74) *Attorney, Agent, or Firm* — Reinhart Boerner Van Deuren s.c.

(57) **CLAIM**

We claim the ornamental design for a hammer, as shown and described.

DESCRIPTION

FIG. 1 is a perspective view of a hammer embodying our new design.

FIG. 2 is a right side view of the hammer of FIG. 1.

FIG. 3 is a left side view of the hammer of FIG. 1.

FIG. 4 is a front view of the hammer of FIG. 1.

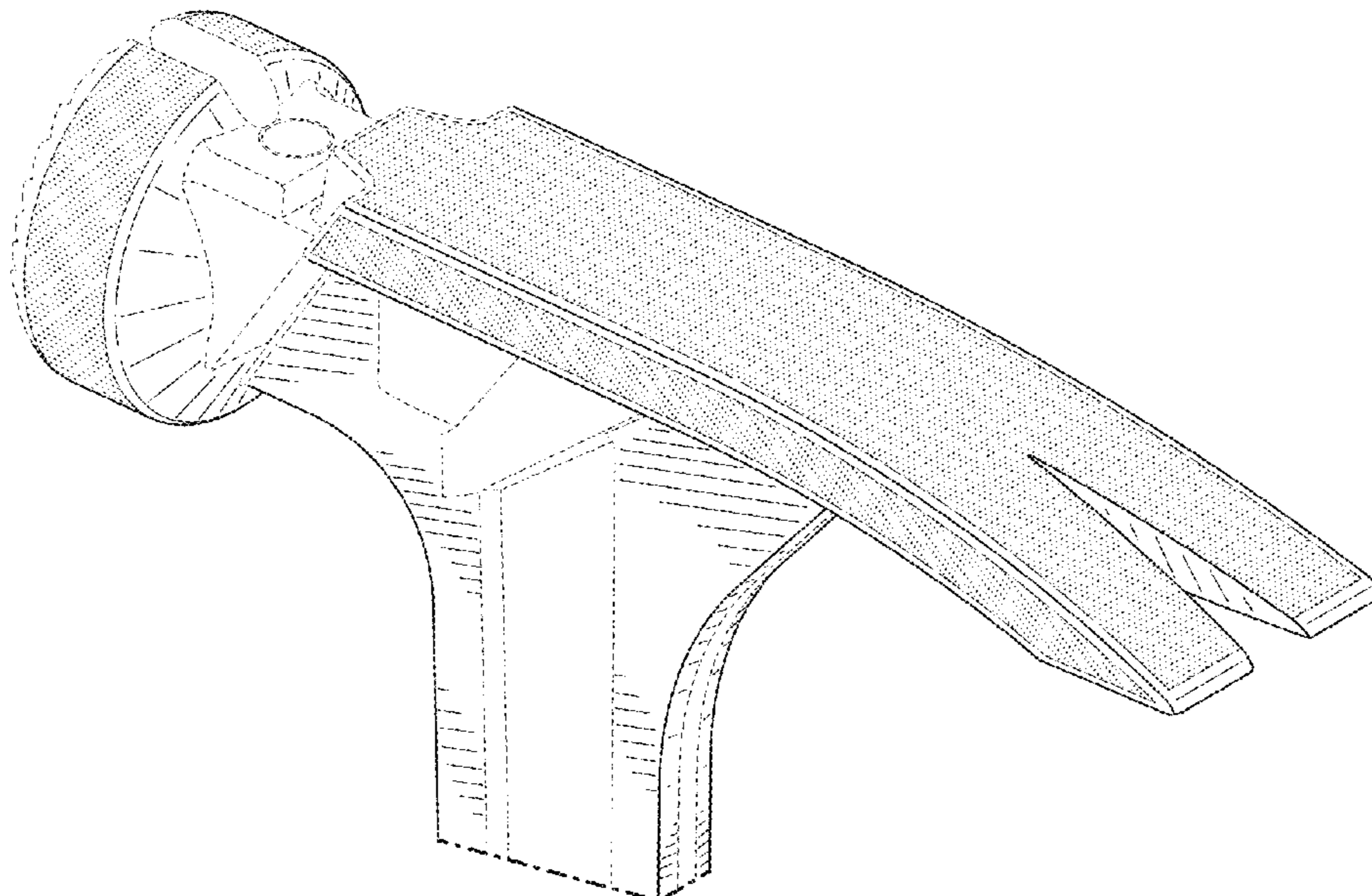
FIG. 5 is a rear view of the hammer of FIG. 1.

FIG. 6 is a top view of the hammer of FIG. 1; and,

FIG. 7 is a bottom view of the hammer of FIG. 1.

The broken lines and the dot-dash boundary depict portions of the hammer in which the design is embodied that are not considered part of the claimed design.

1 Claim, 5 Drawing Sheets



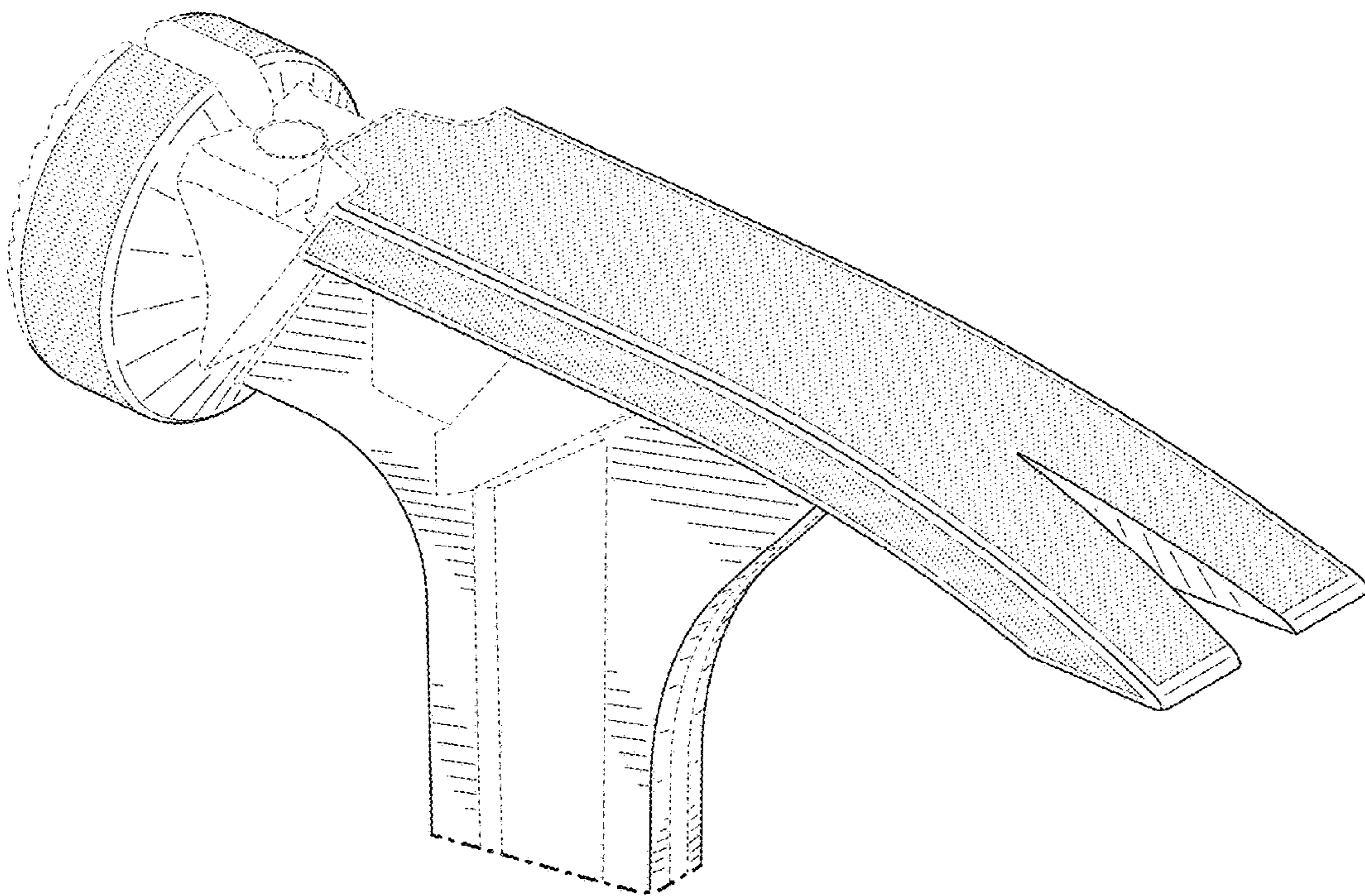


FIG. 1

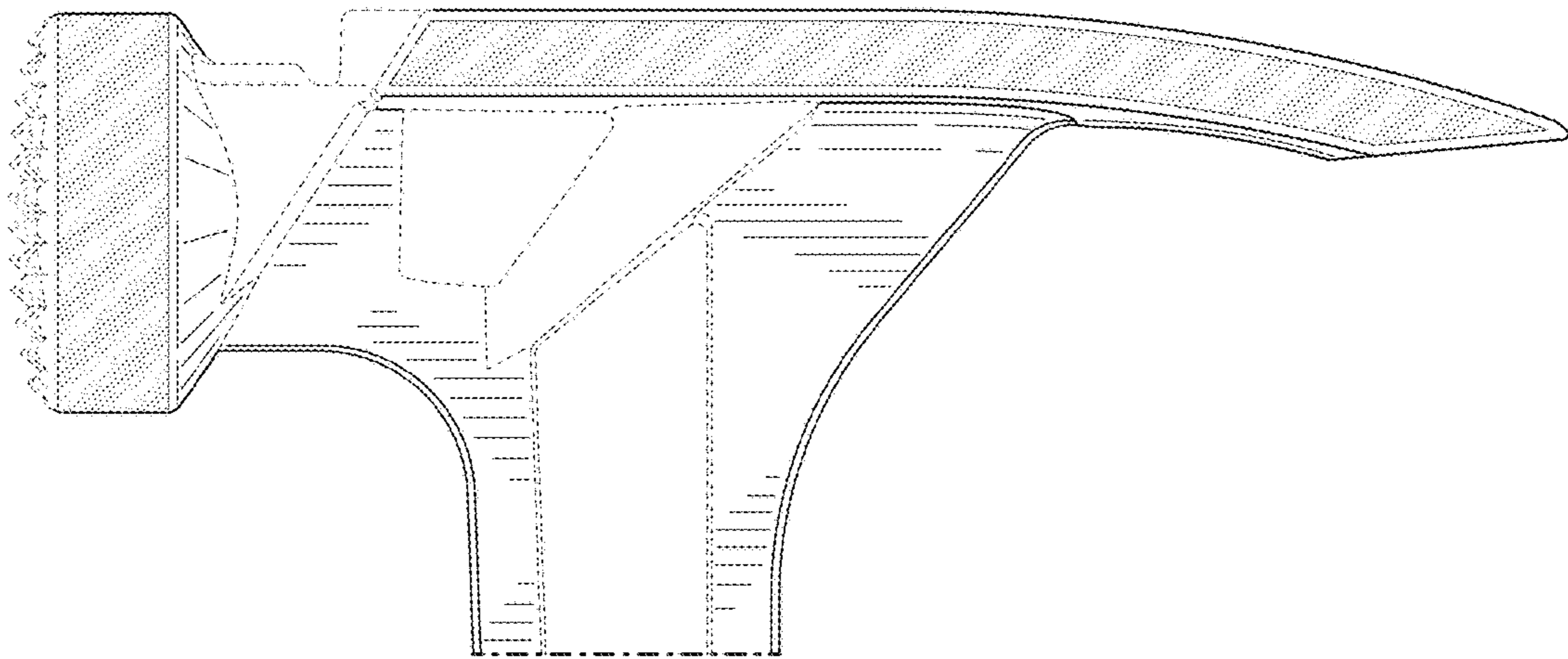


FIG. 2

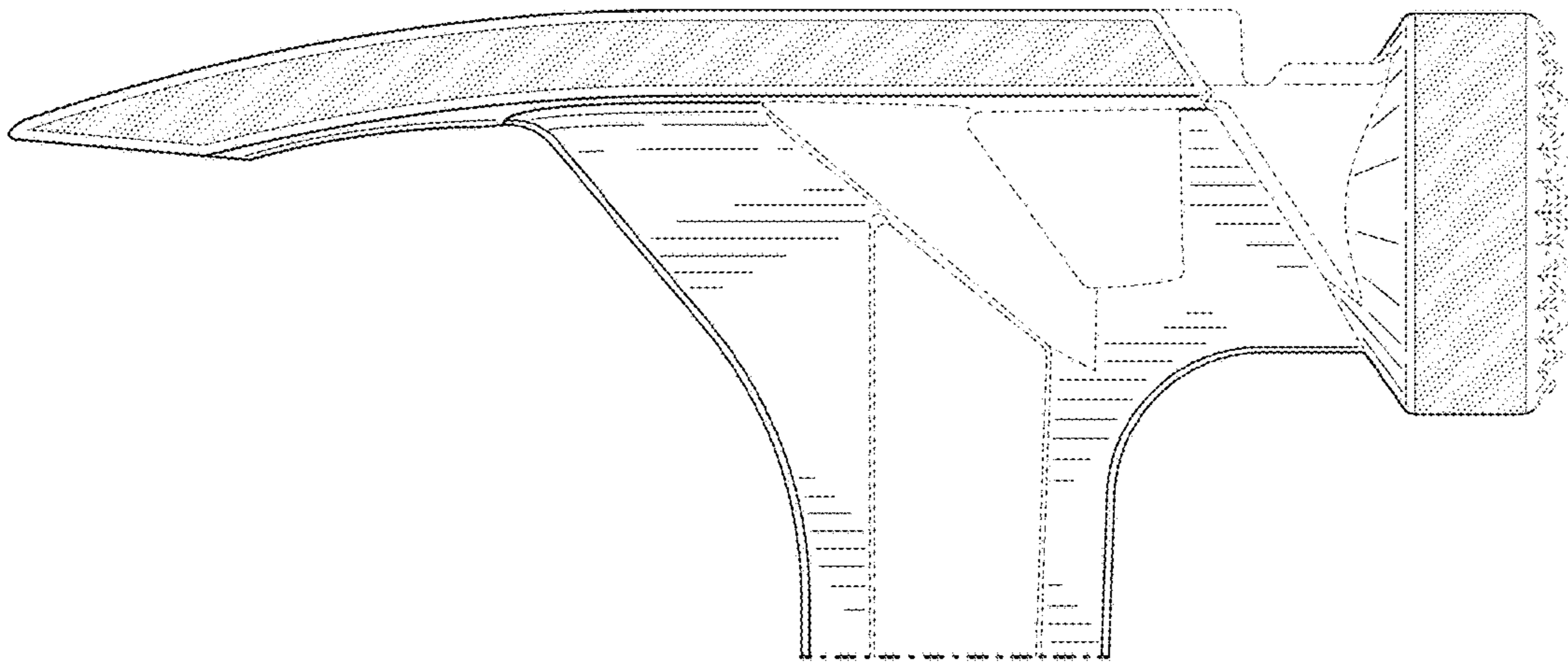


FIG. 3

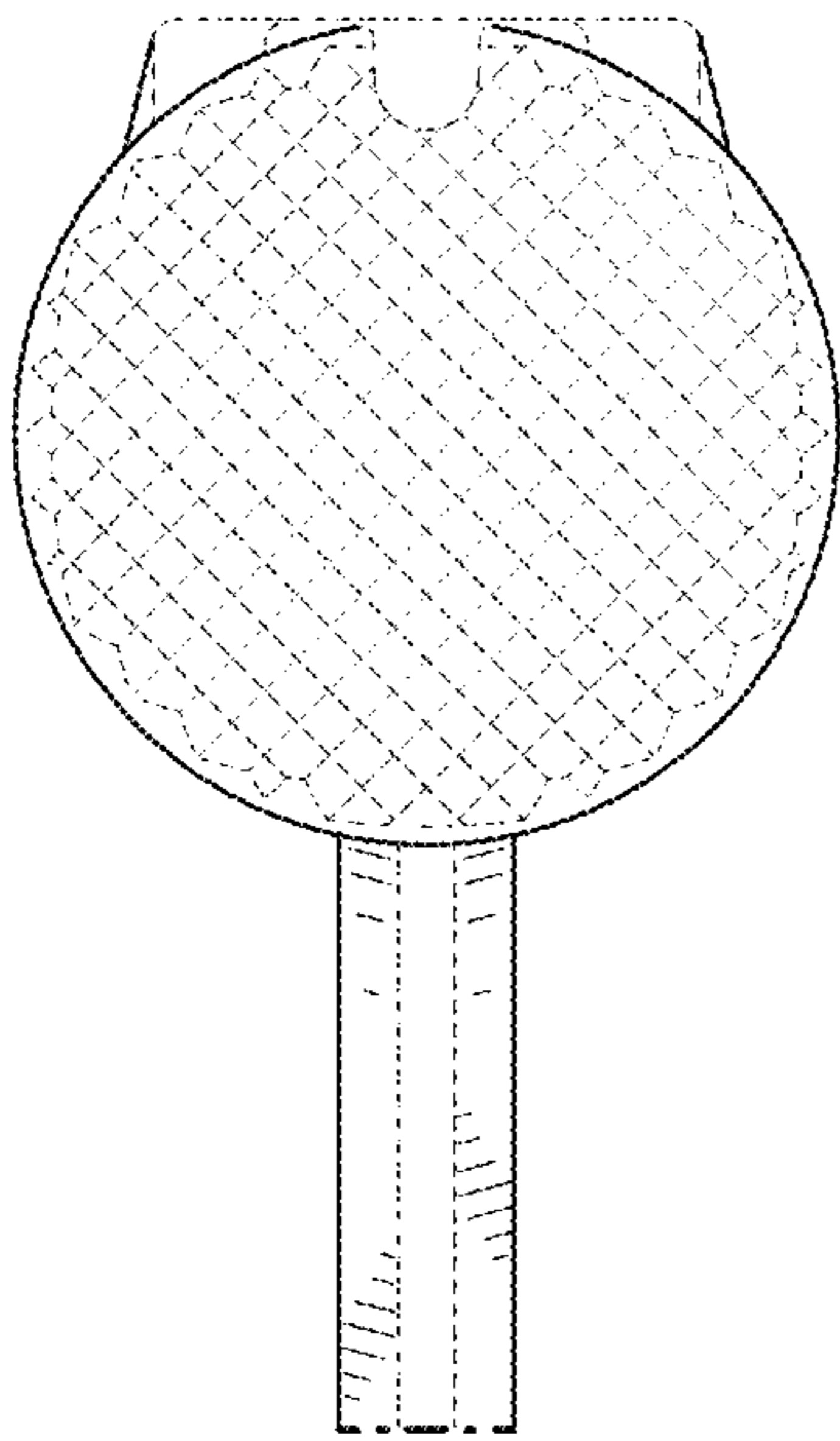


FIG. 4

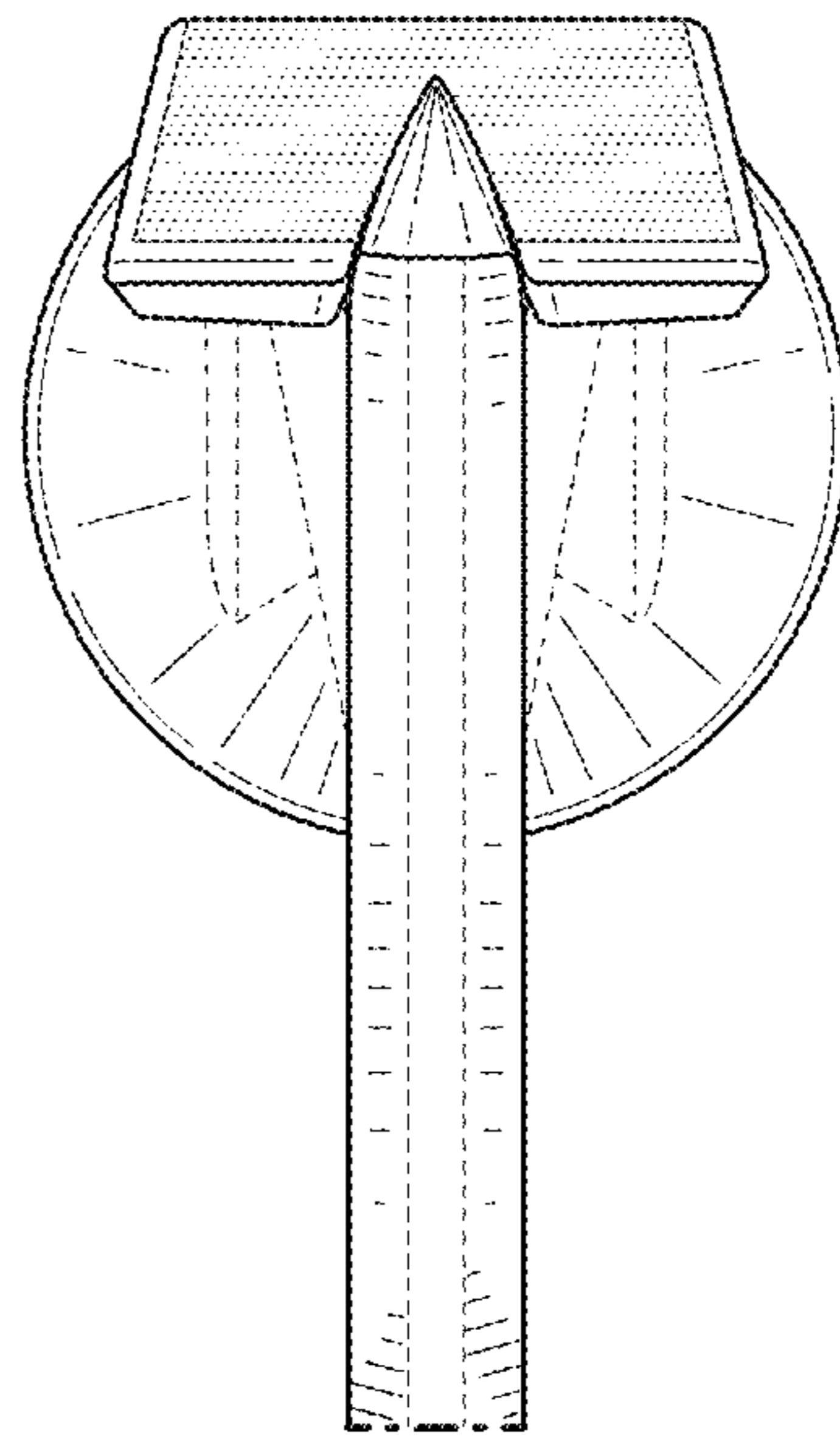


FIG. 5

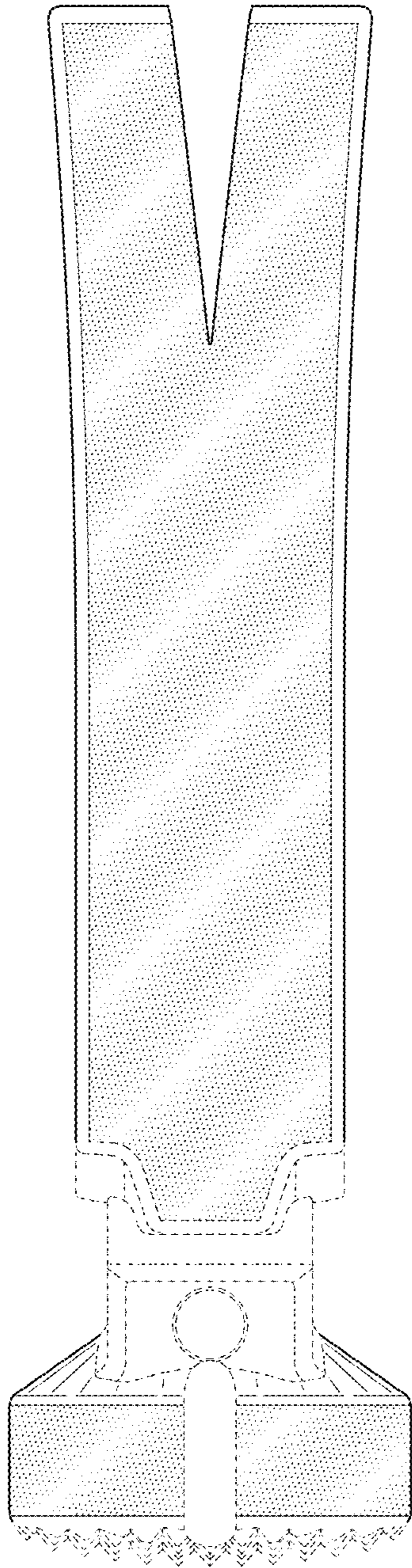


FIG. 6

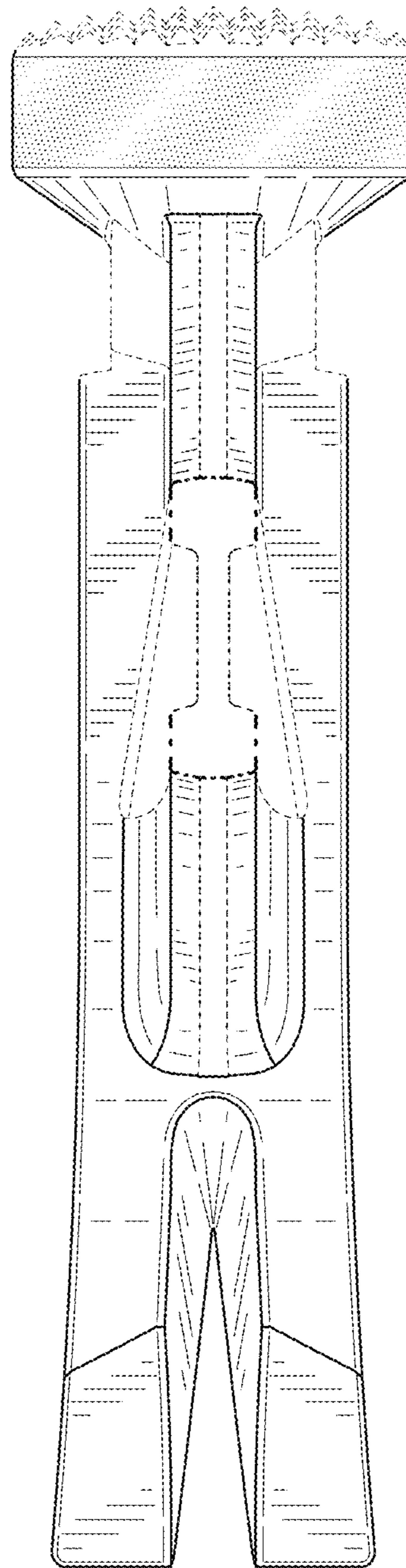


FIG. 7