



US00D837017S

(12) **United States Design Patent**
Miller et al.

(10) **Patent No.:** **US D837,017 S**
(45) **Date of Patent:** **** Jan. 1, 2019**

- (54) **CENTERING DOVETAIL VISE**
- (71) Applicants: **Lonnie W. Miller**, Roscoe, IL (US);
Alvin M. Goellner, Rockford, IL (US)
- (72) Inventors: **Lonnie W. Miller**, Roscoe, IL (US);
Alvin M. Goellner, Rockford, IL (US)
- (73) Assignee: **Advanced Machine & Engineering Co.**, Rockford, IL (US)

- 4,383,682 A * 5/1983 Feinberg B25B 1/2463
269/258
- D274,913 S * 7/1984 Bonfield D15/138
- 4,685,663 A * 8/1987 Jorgensen B25B 1/103
269/244
- 4,863,151 A * 9/1989 Justesen B25B 1/24
269/261
- D309,463 S * 7/1990 McDannel D15/123
- 5,163,664 A * 11/1992 Calaio B25B 1/2452
269/259
- 5,683,077 A * 11/1997 Fink B25B 1/103
269/244

(**) Term: **15 Years**

(Continued)

(21) Appl. No.: **29/556,091**

(22) Filed: **Feb. 26, 2016**

(51) **LOC (11) Cl.** **08-05**

(52) **U.S. Cl.**
USPC **D8/74; D15/140**

(58) **Field of Classification Search**
USPC D15/7, 9, 10, 13, 17, 27, 28, 122, 123,
D15/124, 125, 126, 127, 128, 129, 138,
D15/139, 140, 141, 199; D8/71, 72, 73,
D8/74

CPC B25D 3/00; B25D 2250/111; B25D
2211/003; B25D 16/00; B25D 17/02;
C03B 23/047; C03B 23/0496; E21B
10/52; E21B 10/16; E21B 10/567

See application file for complete search history.

(56) **References Cited**

U.S. PATENT DOCUMENTS

- D215,763 S * 10/1969 Inman, Jr. D15/123
- D232,760 S * 9/1974 Lanese D15/130
- D232,761 S * 9/1974 Lanese D15/130
- 3,961,854 A * 6/1976 Jaquet A61B 17/6466
403/188
- D254,376 S * 3/1980 Glomb D15/140
- 4,199,313 A * 4/1980 Bohnenberger B22C 21/10
164/385
- 4,344,259 A * 8/1982 Barolin B24B 13/02
451/390

OTHER PUBLICATIONS

[https://www.ame.com/news/2017/04/07/introducing-centering-dovetail-vise-\(cdv\)-by-amrok-workholding/](https://www.ame.com/news/2017/04/07/introducing-centering-dovetail-vise-(cdv)-by-amrok-workholding/)—Published Apr. 7, 2017.*

Primary Examiner — Manpreet S Matharu
Assistant Examiner — Mojtaba Tehrani

(74) *Attorney, Agent, or Firm* — Reinhart Boerner Van Deuren P.C.

(57) **CLAIM**

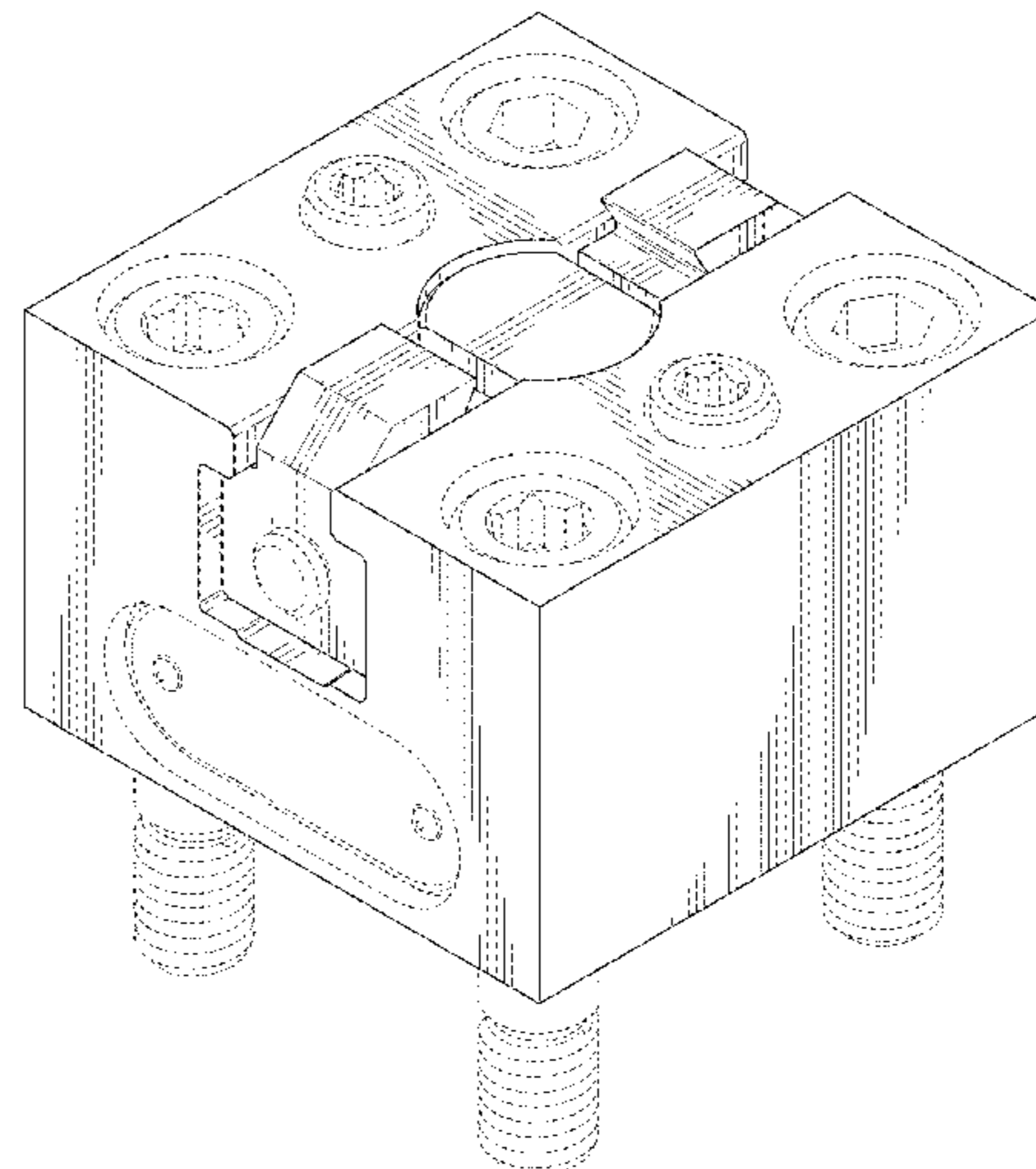
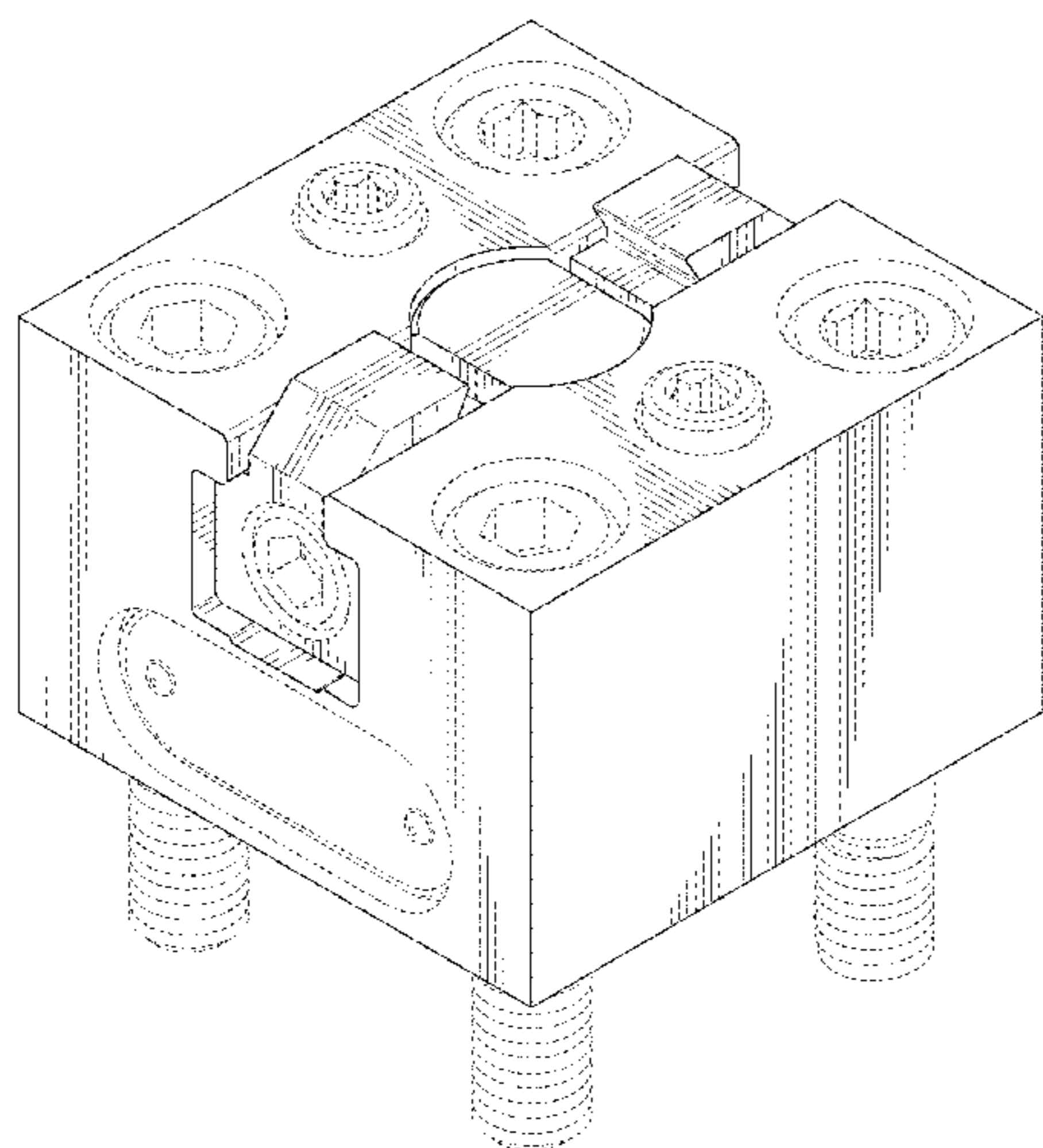
We claim the ornamental design for the centering dovetail vise, as shown and described.

DESCRIPTION

FIG. 1 is a perspective view of the centering dovetail vise; FIG. 2 is another perspective view thereof; FIG. 3 is a front view thereof; FIG. 4 is a back view thereof; FIG. 5 is a top view thereof; FIG. 6 is a bottom view thereof; FIG. 7 is a side view thereof; and, FIG. 8 is another side view thereof, showing the side opposite that shown in FIG. 7.

The broken lines used are for purposes of illustrating portions of the centering dovetail vise which form no portion of the claimed design.

1 Claim, 8 Drawing Sheets



(56)

References Cited

U.S. PATENT DOCUMENTS

D420,880	S *	2/2000	Lavigne	D8/74
D421,208	S *	2/2000	Lavigne	D8/74
D422,868	S *	4/2000	Lavigne	D8/74
D435,772	S *	1/2001	Lavigne	D8/74
D436,012	S *	1/2001	Lavigne	D8/74
D437,200	S *	2/2001	Lavigne	D8/74
D438,215	S *	2/2001	Kaneko	D15/7
D446,229	S *	8/2001	Kaneko	D15/143
6,309,003	B1 *	10/2001	Bertini	B25J 15/0253 294/119.1
D457,900	S *	5/2002	Hanne	D15/140
6,409,161	B1 *	6/2002	Wolff	B25B 1/18 269/134
6,957,809	B1 *	10/2005	Ferrara	B25B 1/2405 269/282
D595,317	S *	6/2009	Dinsdale	D15/124
D647,381	S *	10/2011	Lin	D8/74
D666,072	S *	8/2012	Tschida	D8/74
D685,827	S *	7/2013	Sun	D15/140
D685,828	S *	7/2013	Sun	D15/140
D705,634	S *	5/2014	Furey	D8/72
D716,627	S *	11/2014	Lin	D8/74
D736,585	S *	8/2015	Furey	D8/72
D785,431	S *	5/2017	Lee	D8/74
9,636,801	B1 *	5/2017	Lee	B25B 1/2484
2014/0086680	A1 *	3/2014	Header	E04D 13/10 403/374.3

* cited by examiner

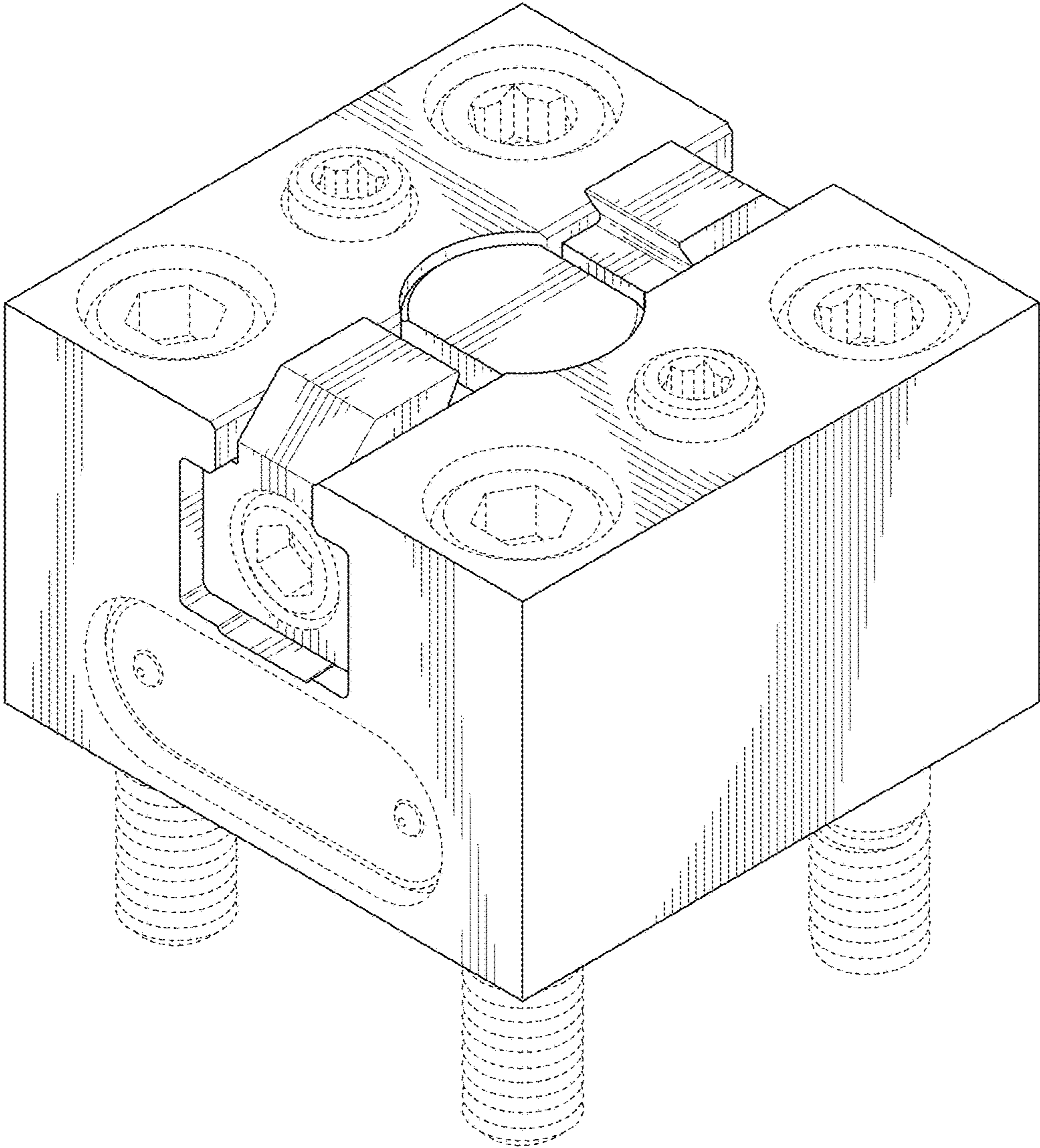


FIG. 1

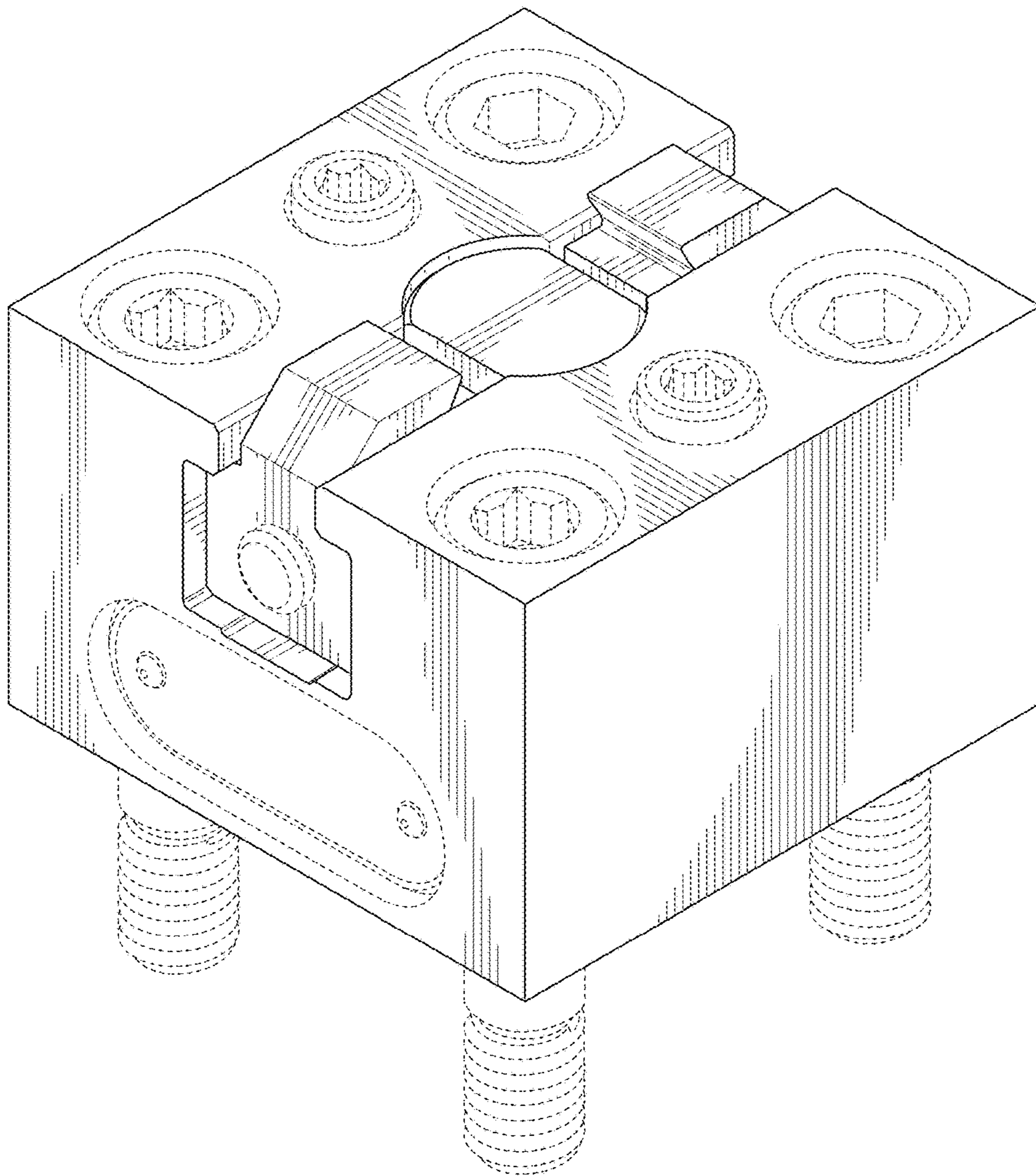


FIG. 2

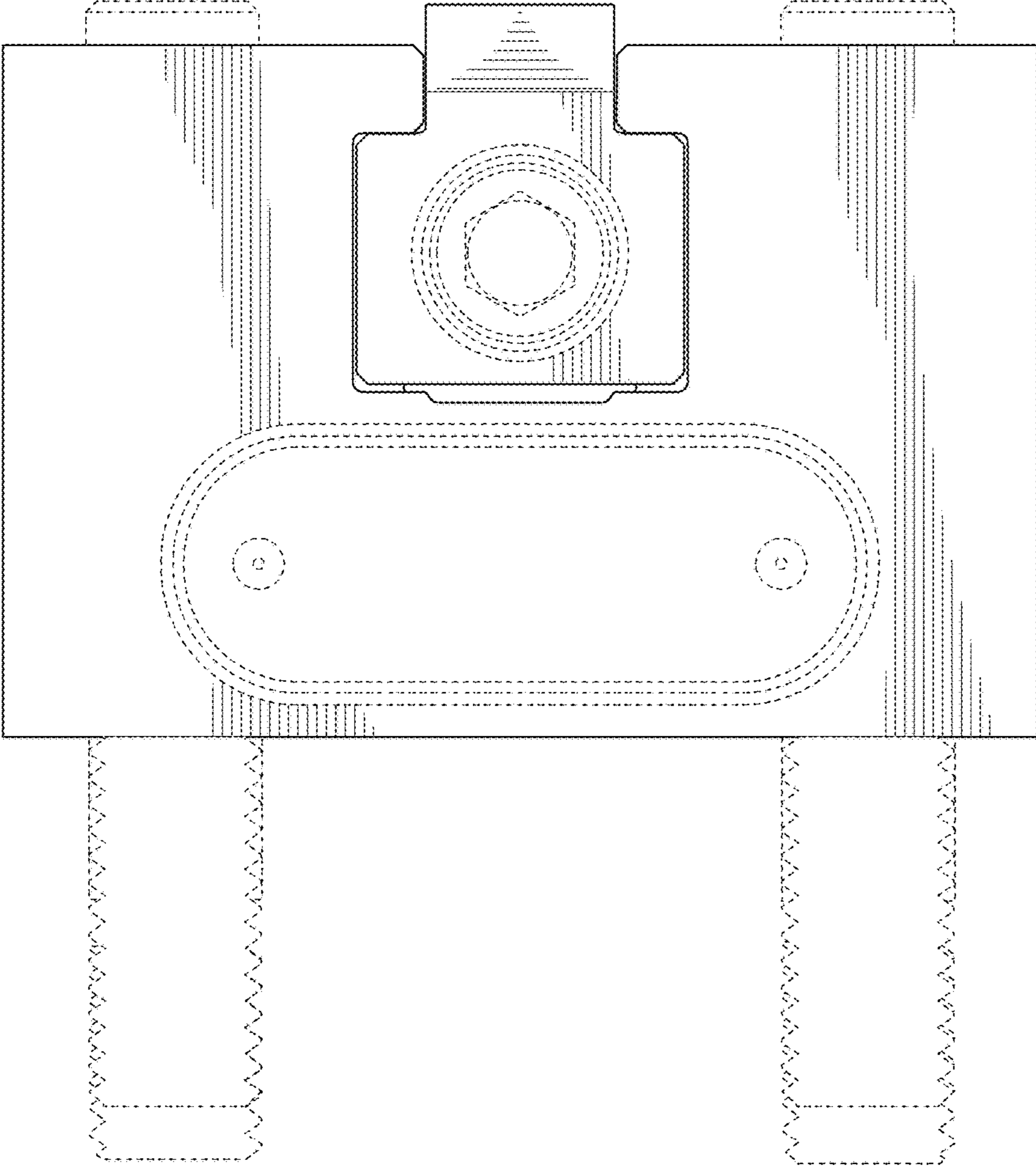


FIG. 3

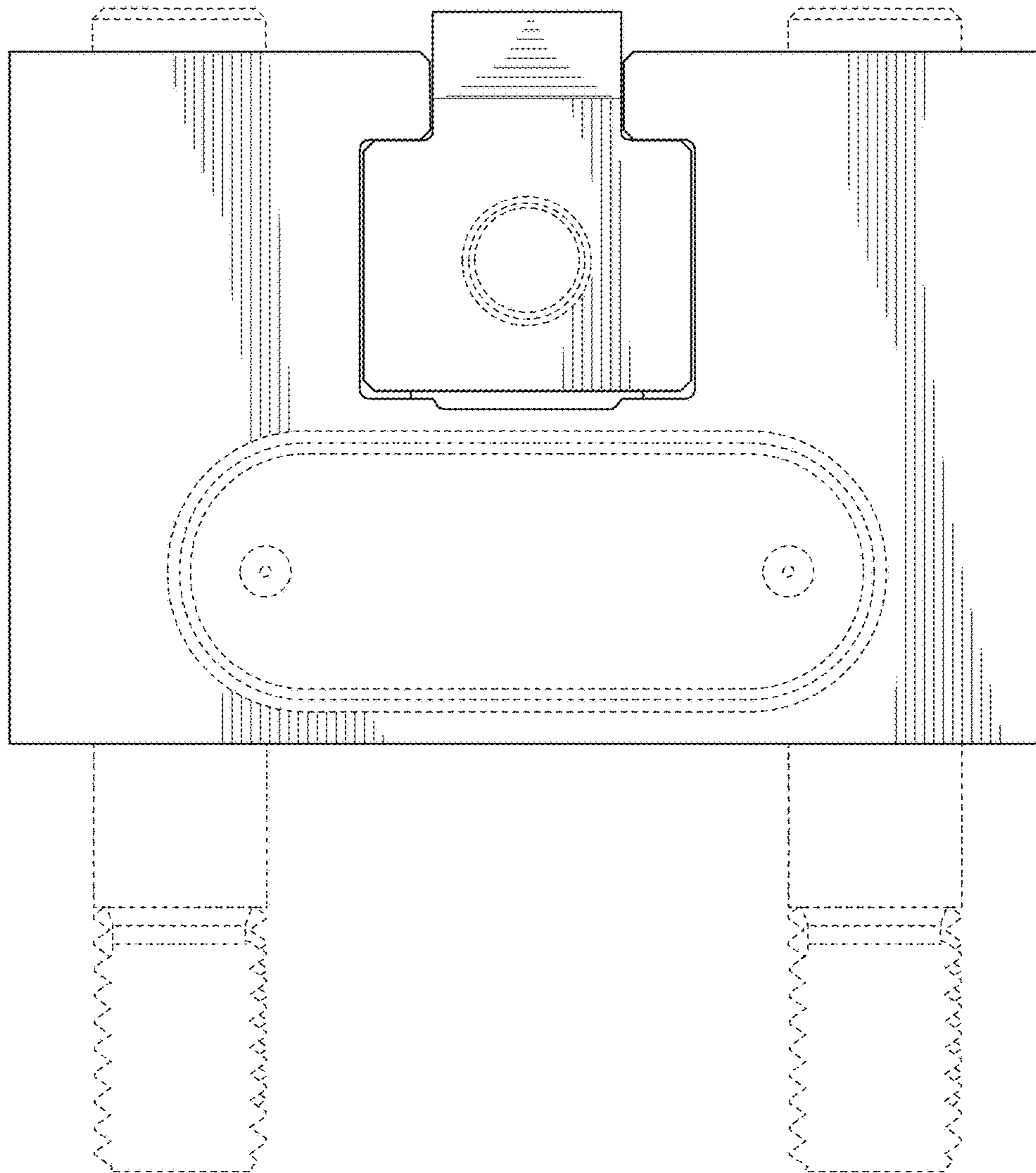


FIG. 4

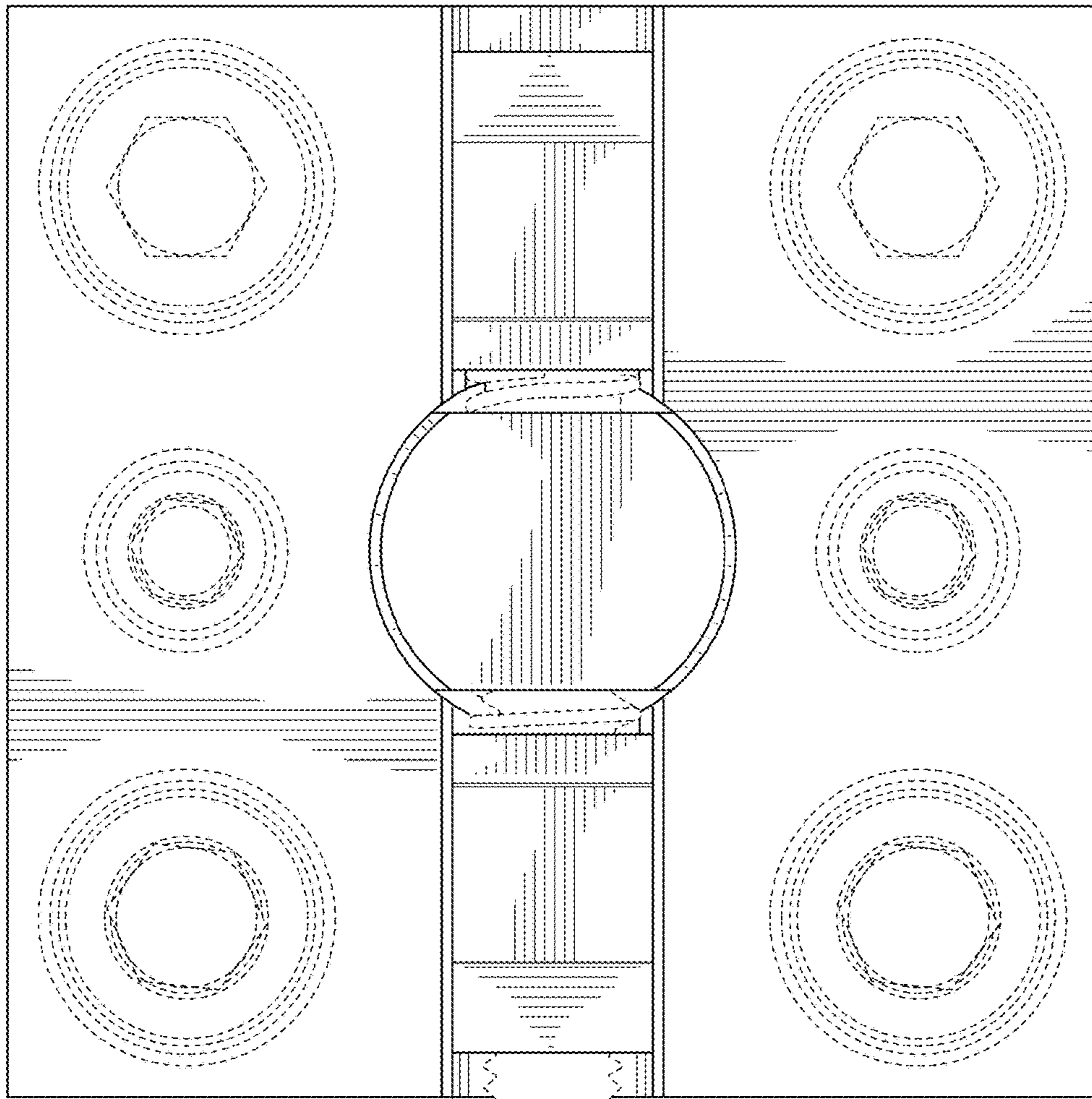


FIG. 5

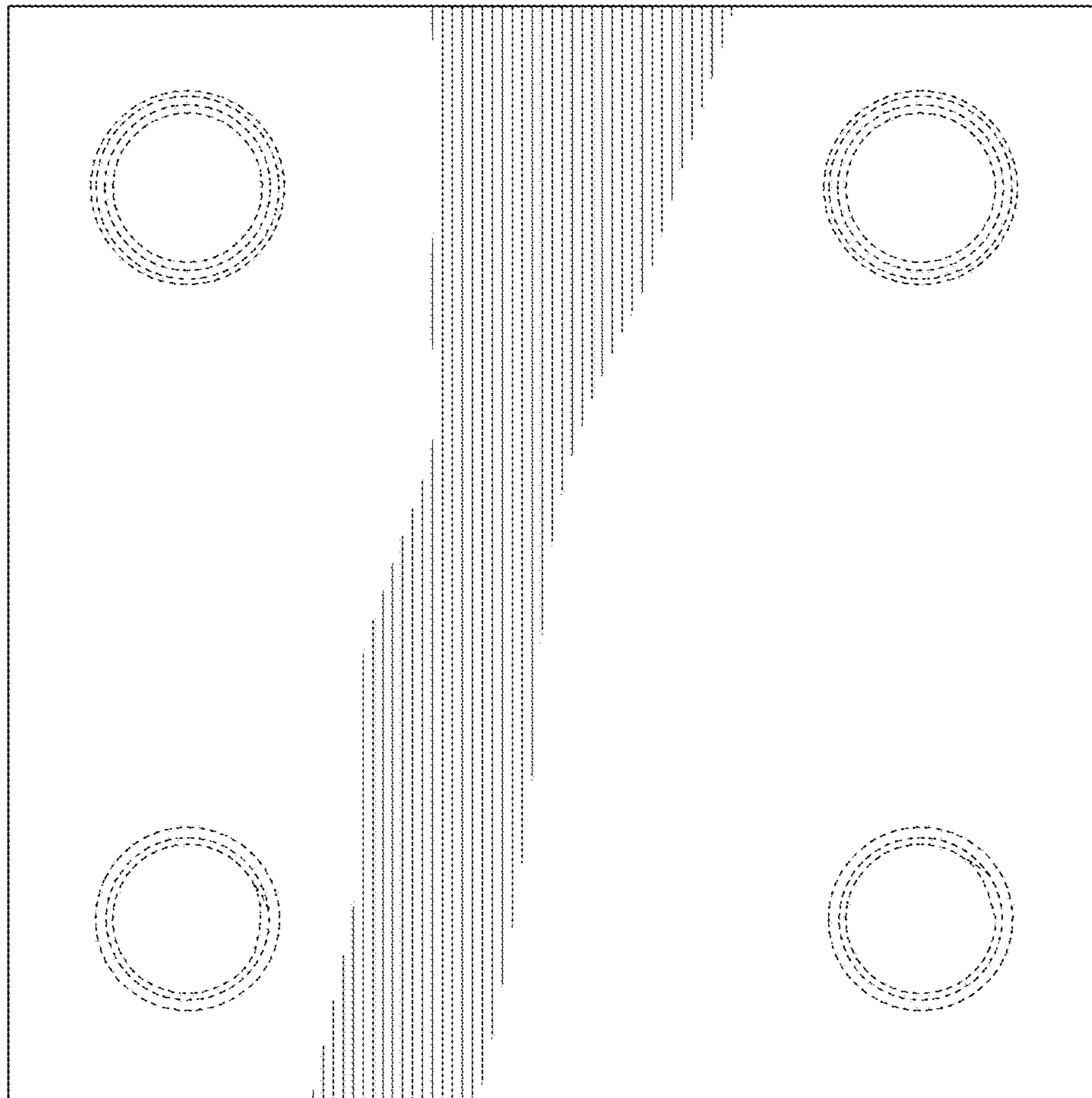


FIG. 6

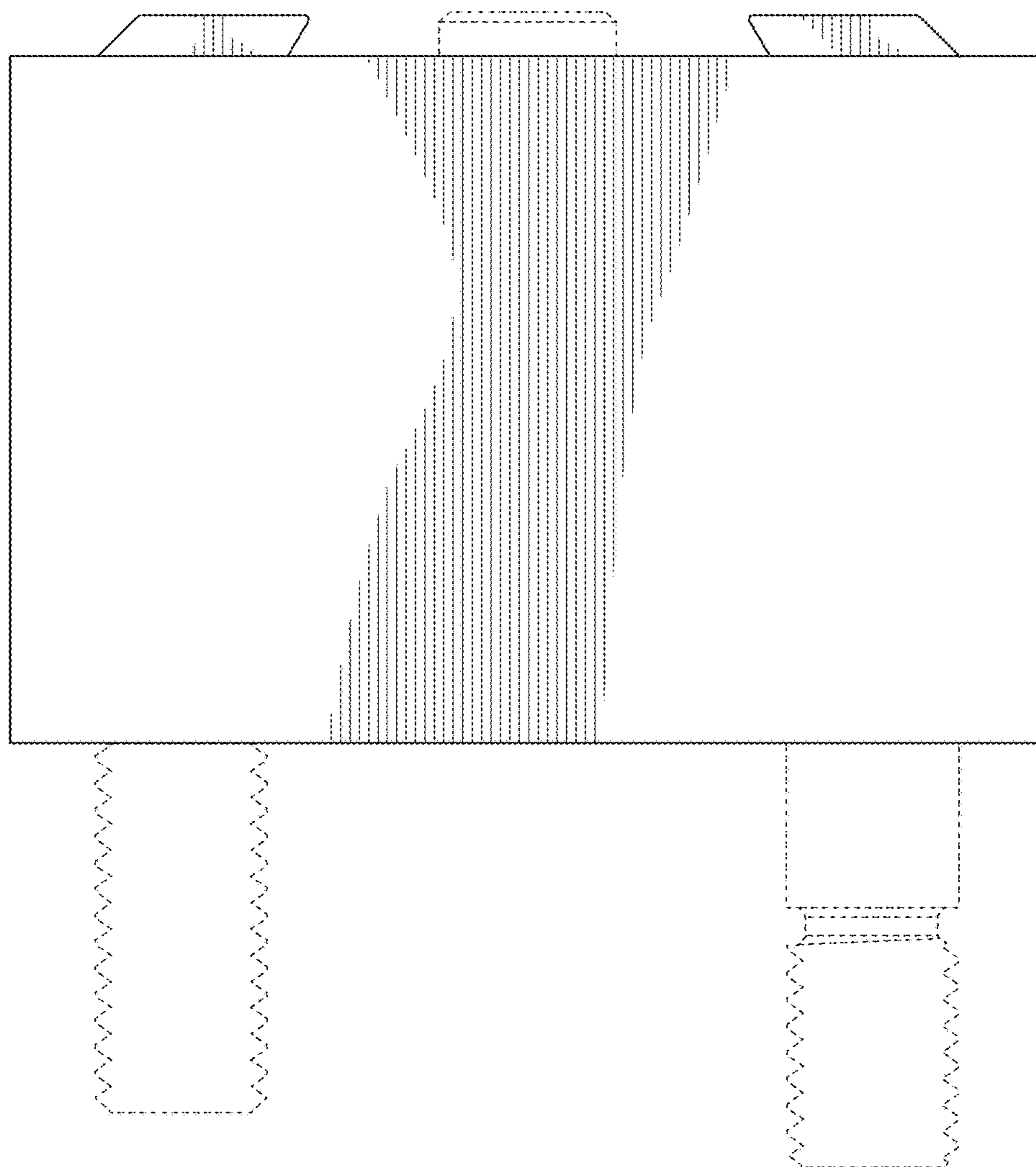


FIG. 7

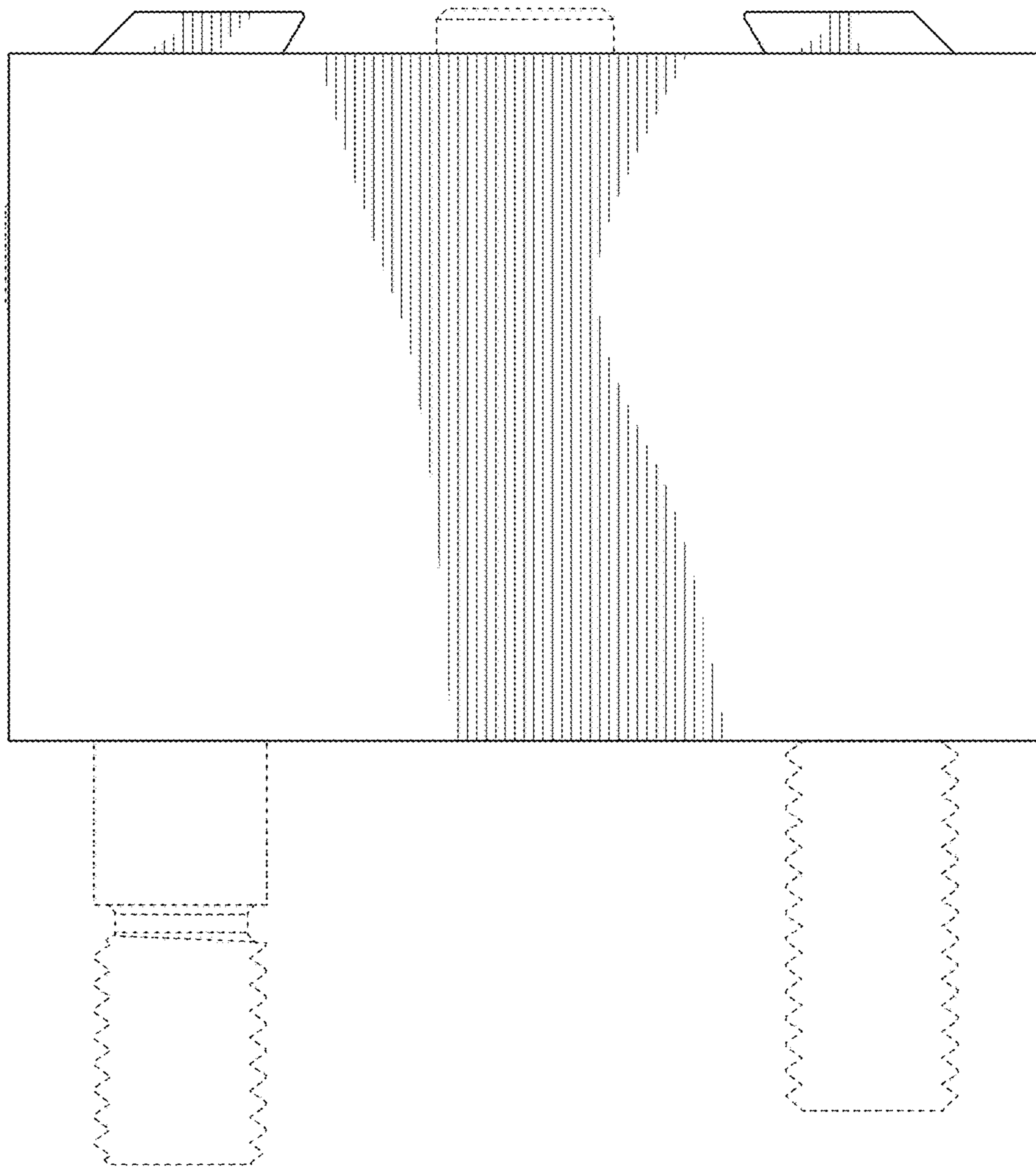


FIG. 8