



US00D837016S

(12) **United States Design Patent** (10) **Patent No.:** **US D837,016 S**  
**Psaila** (45) **Date of Patent:** **\*\* Jan. 1, 2019**

(54) **TILE LEVELING DEVICE** 9,322,185 B1 \* 4/2016 Russo ..... E04F 21/0092  
9,328,522 B2 \* 5/2016 Bordin ..... E04F 21/20  
(71) Applicant: **ATR Plastics Pty Ltd**, Melbourne (AU) D775,935 S \* 1/2017 Sarajian ..... D8/354  
D778,709 S \* 2/2017 Russo ..... D8/355  
(72) Inventor: **Andy Psaila**, Melbourne (AU) 9,657,485 B2 \* 5/2017 Meyers ..... E04F 21/1877  
2009/0126213 A1 \* 5/2009 Tavy ..... E04F 21/0092  
33/527  
(73) Assignee: **ATR PLASTICS PTY LTD**, 2013/0067854 A1 \* 3/2013 Bordin ..... E04F 21/0092  
Melbourne (AU) 52/749.11  
2015/0211243 A1 \* 7/2015 Irvine ..... E04F 21/0092  
52/126.1  
(\*\*) Term: **15 Years** 2015/0267420 A1 \* 9/2015 Fontana ..... E04F 13/0892  
52/126.1

(21) Appl. No.: **29/616,048**

(22) Filed: **Sep. 1, 2017**

(51) **LOC (11) Cl.** ..... **08-05**

(52) **U.S. Cl.**  
USPC ..... **D8/71; D8/354**

(58) **Field of Classification Search**  
USPC ..... D8/105, 307, 310, 313, 321, 354, 382,  
D8/387, 71  
CPC ..... E04F 19/06; E04F 21/18; E04F 21/0092;  
B28D 1/225; G01B 3/30; G09F  
2017/0066; G09F 17/00  
See application file for complete search history.

(56) **References Cited**

**U.S. PATENT DOCUMENTS**

8,079,199 B1 \* 12/2011 Kufner ..... E04F 13/0892  
33/526  
D678,039 S \* 3/2013 Psaila ..... D8/354  
D742,719 S \* 11/2015 Komura ..... D8/349  
9,228,363 B2 \* 1/2016 Kufner ..... E04F 21/0092  
9,279,259 B1 \* 3/2016 Russo ..... E04F 21/20

\* cited by examiner

*Primary Examiner* — Lakiya G Rogers

*Assistant Examiner* — Harold E Blackwell, II

(74) *Attorney, Agent, or Firm* — Innovation Capital Law Group, LLP; Vic Lin

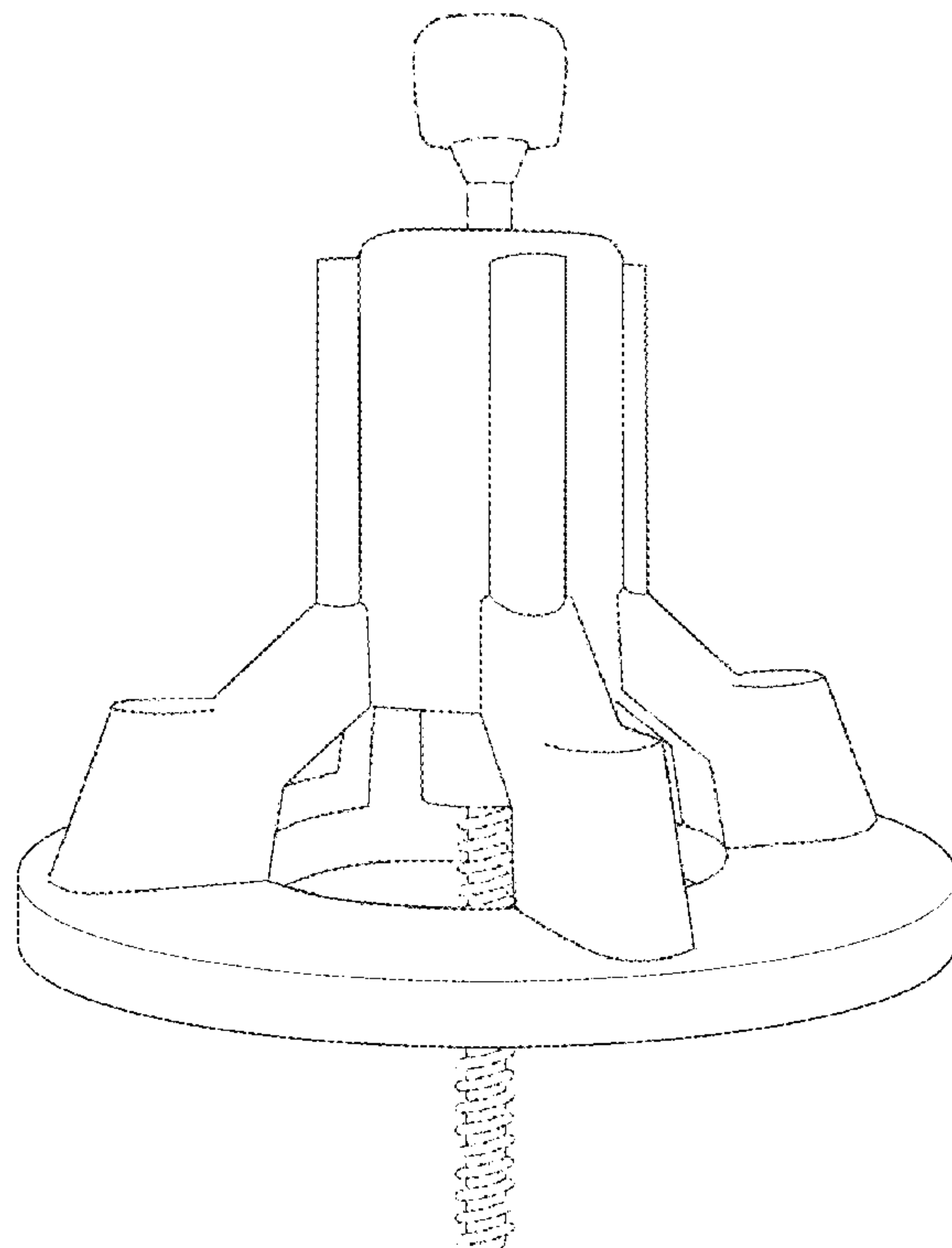
(57) **CLAIM**

The ornamental design for a tile leveling device, as shown and described.

**DESCRIPTION**

FIG. 1 is a front perspective view a tile leveling device; FIG. 2 is a top plan view thereof; FIG. 3 is a front elevation view thereof, the left, right and rear sides of which are identical; and, FIG. 4 is a bottom plan view thereof. The broken line showing is for the purpose of illustrating portions of the tile leveling device which forms no part of the claimed design.

**1 Claim, 4 Drawing Sheets**



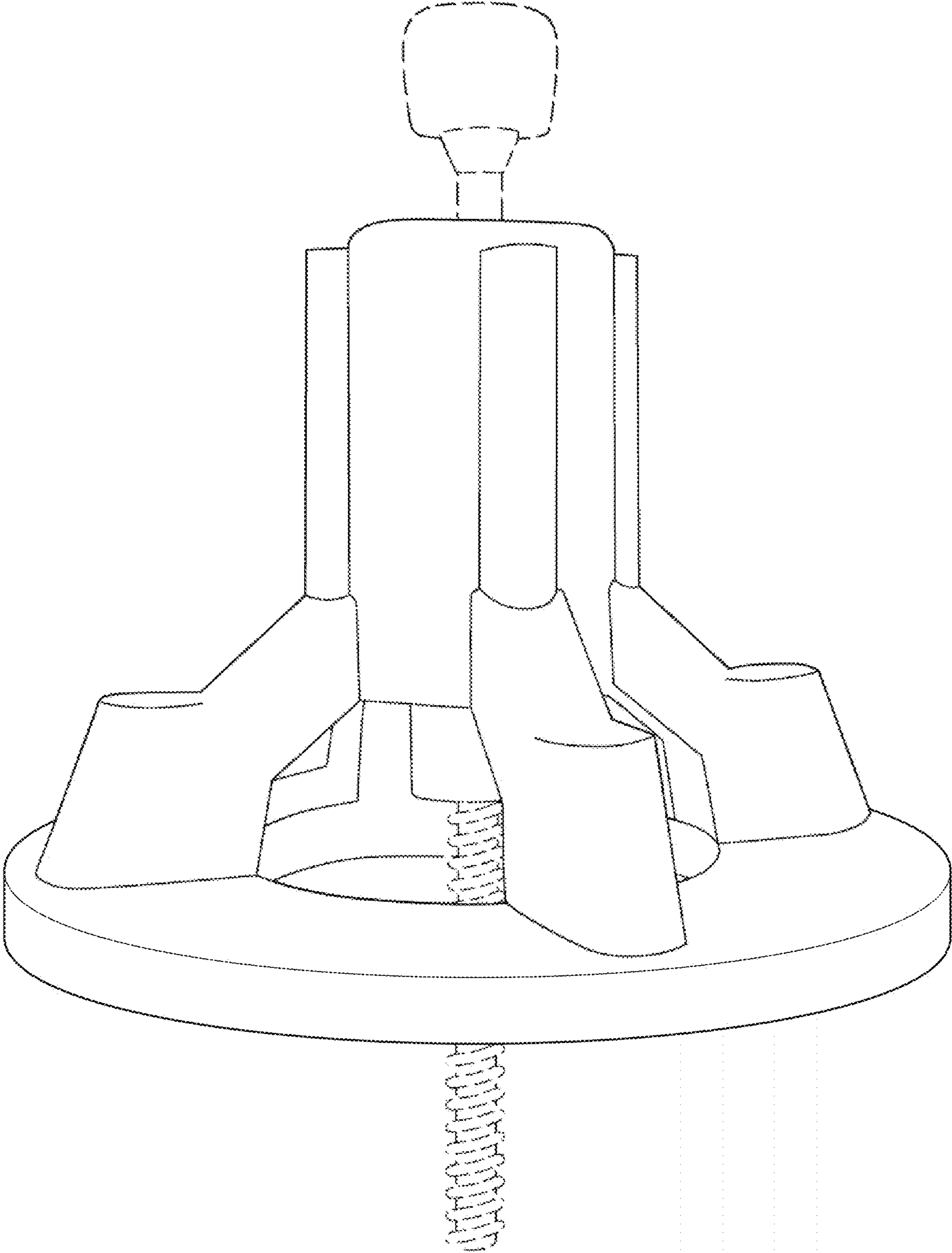


FIG. 1

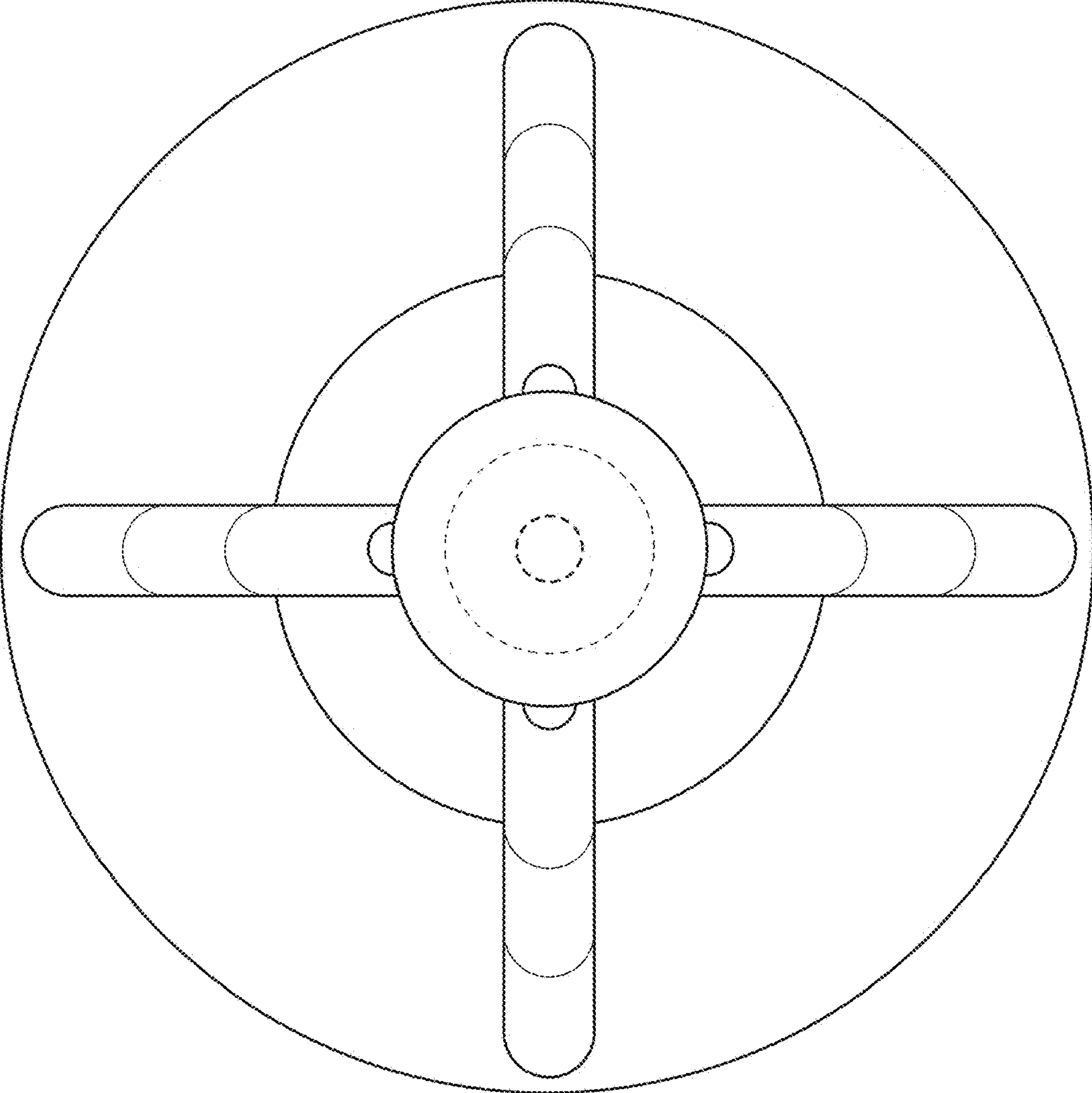


FIG. 2

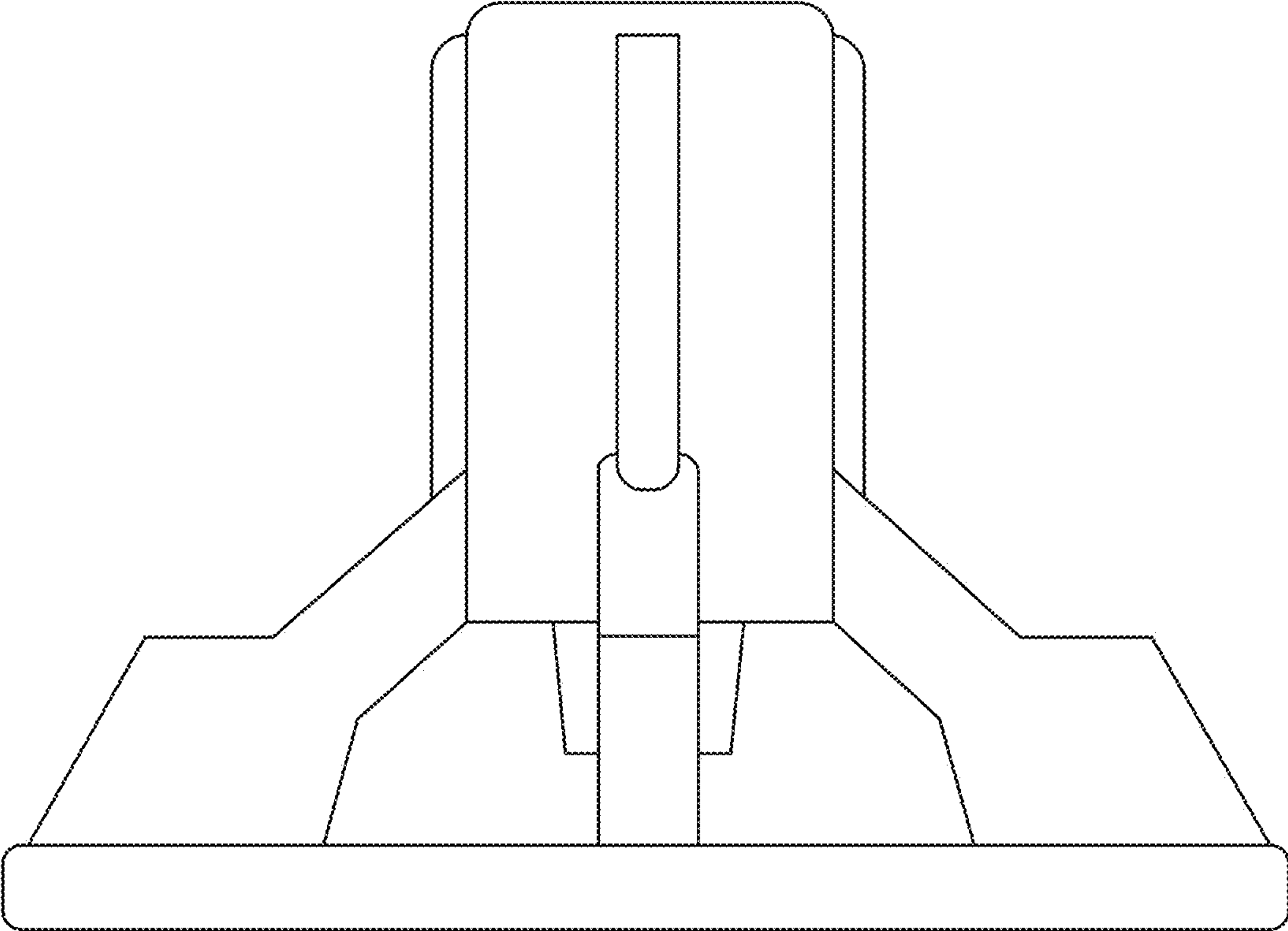


FIG. 3

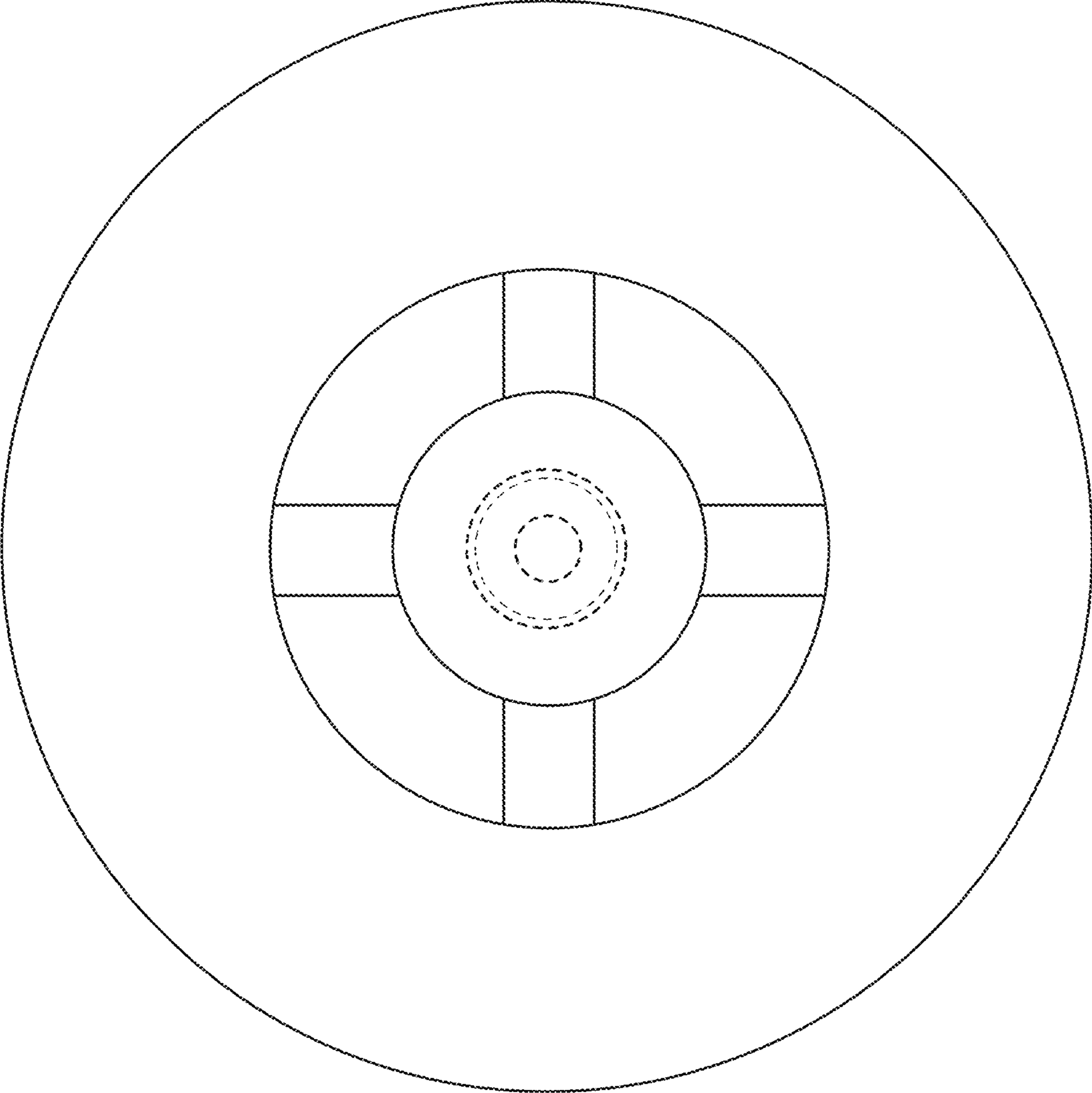


FIG. 4