

US00D837014S

(12) **United States Design Patent** (10) **Patent No.:** **US D837,014 S**  
**Sakamaki et al.** (45) **Date of Patent:** **\*\* \*Jan. 1, 2019**

- (54) **DRILL CHUCK**
- (71) Applicant: **YUKIWA SEIKO INC.**, Ojiya-shi, Niigata (JP)
- (72) Inventors: **Kazuo Sakamaki**, Ojiya (JP); **Koji Sakamaki**, Ojiya (JP); **Tadashi Taniguchi**, Ojiya (JP); **Koichi Nakano**, Ojiya (JP)
- (73) Assignee: **YUKIWA SEIKO INC.**, Ojiya-shi (JP)
- (\*) Notice: This patent is subject to a terminal disclaimer.
- (\*\*) Term: **15 Years**
- (21) Appl. No.: **29/596,780**
- (22) Filed: **Mar. 10, 2017**
- (51) **LOC (11) Cl.** ..... **08-05**
- (52) **U.S. Cl.**  
USPC ..... **D8/70; D15/140**
- (58) **Field of Classification Search**  
USPC ..... D8/62, 68-70; D15/138-140  
CPC ..... B23B 31/1215; B23B 31/123; B23B 31/1253  
See application file for complete search history.

- D540,645 S \* 4/2007 Yaksich ..... D15/138
  - D542,815 S \* 5/2007 Concari ..... D15/140
  - D555,181 S \* 11/2007 Hu ..... D15/140
  - D562,099 S \* 2/2008 Hu ..... D8/70
- (Continued)

**FOREIGN PATENT DOCUMENTS**

- JP D1054222 S 11/1999
  - JP D1054222/1 S 5/2000
- (Continued)

**OTHER PUBLICATIONS**

Communication dated Feb. 2, 2017, from the Japanese Patent Office in counterpart Japanese application No. 2016-007428.

*Primary Examiner* — Darlington Ly

(74) *Attorney, Agent, or Firm* — Sughrue Mion, PLLC

(57) **CLAIM**

The ornamental design for a drill chuck, as shown and described.

**DESCRIPTION**

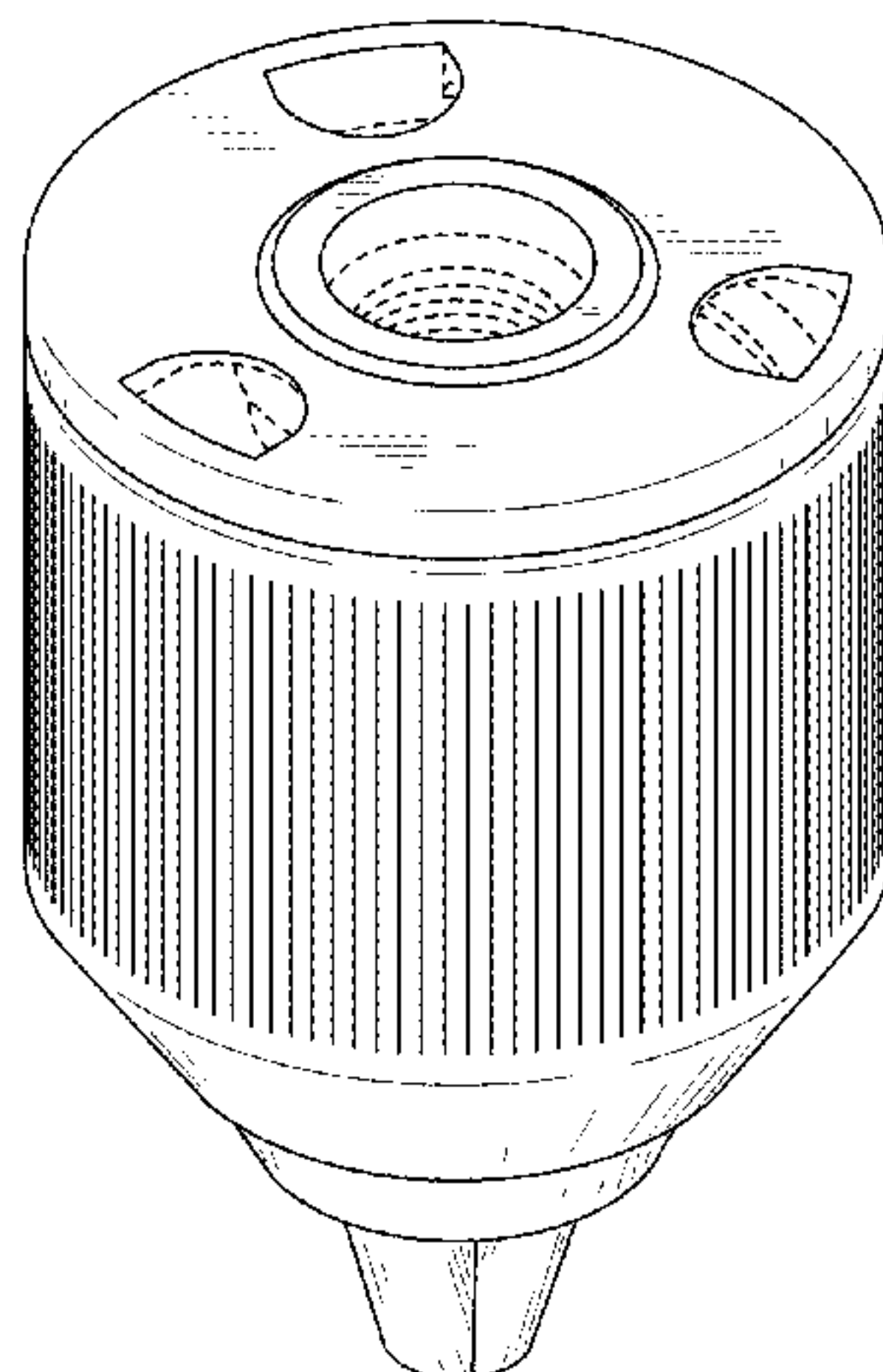
FIG. 1 is a top perspective view of a drill chuck showing our new design;  
 FIG. 2 is a front elevation view thereof;  
 FIG. 3 is a rear elevation view thereof;  
 FIG. 4 is a top plan view thereof;  
 FIG. 5 is a bottom plan view thereof;  
 FIG. 6 is a right side elevation view thereof;  
 FIG. 7 is a cross-sectional view thereof taken along line A-A in FIG. 4;  
 FIG. 8 is an enlarged sectional view thereof taken along line C-C of portion B-B in FIG. 4; and,  
 FIG. 9 is an enlarged cross-sectional view thereof taken along line A-A in FIG. 4 that shows a length and depth of the grooves shown in FIGS. 1-3, 6, and 8.  
 Portions shown with broken lines form no part of the claimed design.

**1 Claim, 9 Drawing Sheets**

(56) **References Cited**

**U.S. PATENT DOCUMENTS**

- D259,855 S \* 7/1981 Derbyshire ..... D8/68
- D423,527 S \* 4/2000 Sakamaki ..... D15/140
- D426,840 S \* 6/2000 Sakamaki ..... D15/140
- D433,909 S \* 11/2000 Long ..... D15/140
- D434,629 S \* 12/2000 Long ..... D15/140
- D461,696 S \* 8/2002 Chunn ..... D15/140
- D461,697 S \* 8/2002 Chunn ..... D15/140
- D462,249 S \* 9/2002 Chunn ..... D15/140
- D472,443 S \* 4/2003 Chunn ..... D8/70
- D474,387 S \* 5/2003 Chunn ..... D15/140
- D514,416 S \* 2/2006 Watson ..... D15/140
- D540,137 S 4/2007 Yaksich



(56)

**References Cited**

U.S. PATENT DOCUMENTS

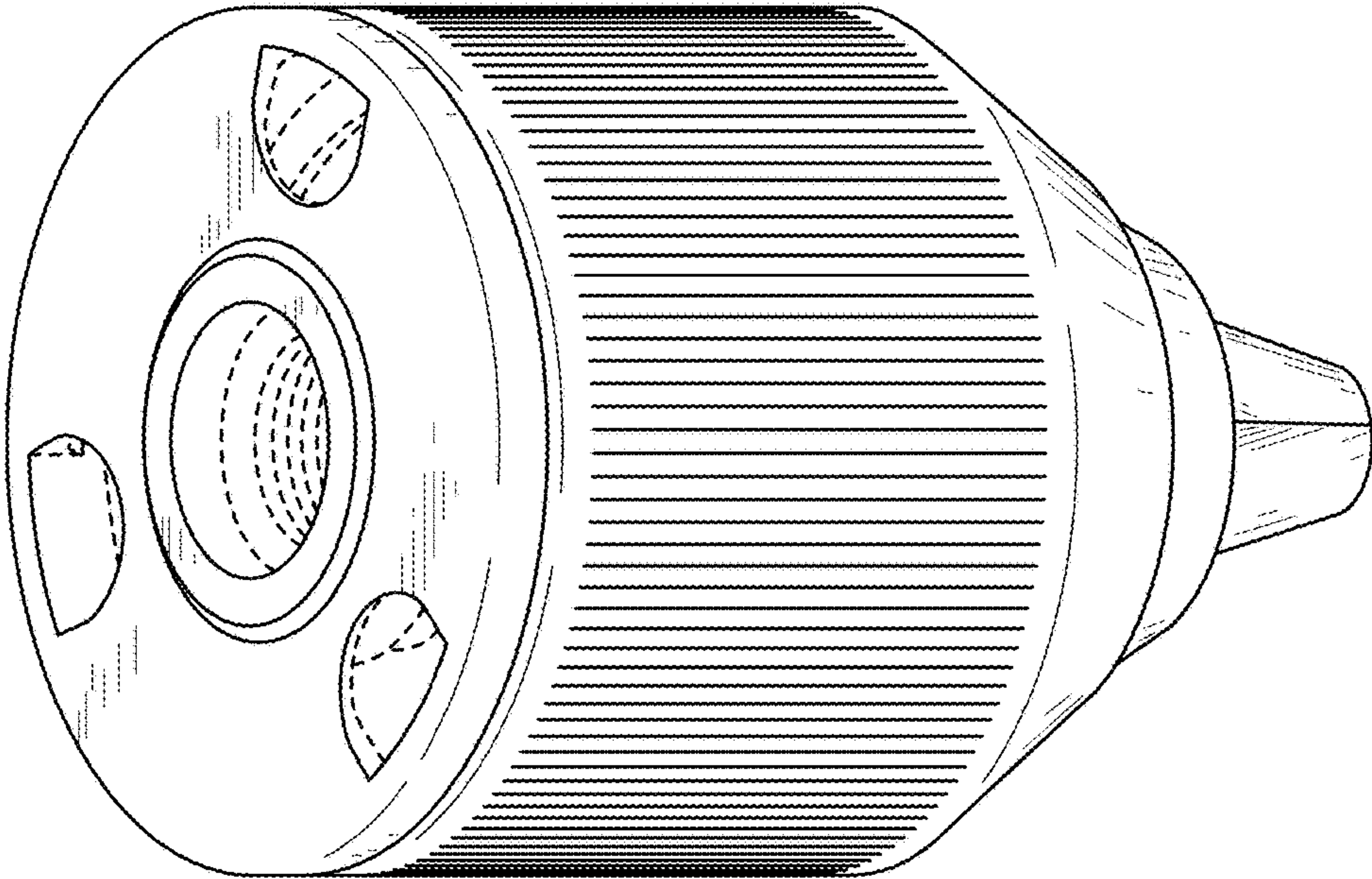
D565,376 S \* 4/2008 Hu ..... D8/70  
D565,377 S \* 4/2008 Hu ..... D8/70  
D567,268 S \* 4/2008 Mack ..... D15/140  
D580,727 S \* 11/2008 Mack ..... D8/70  
D590,228 S \* 4/2009 Aglassinger ..... D8/70  
D593,390 S \* 6/2009 Sakamaki ..... D15/140  
7,845,650 B2 \* 12/2010 Mack ..... B23B 31/1215  
279/152  
8,678,400 B2 3/2014 Bordeianu et al.  
D735,007 S \* 7/2015 Schenk ..... D15/140  
D735,549 S \* 8/2015 Schenk ..... D15/140  
2008/0143062 A1 \* 6/2008 Mack ..... B23B 31/1215  
279/62  
2010/0127463 A1 \* 5/2010 Zhou ..... B23B 31/123  
279/61

FOREIGN PATENT DOCUMENTS

JP D1105454 S 4/2001  
JP D1357494 S 4/2009  
JP D1524919 S 6/2015

\* cited by examiner

FIG. 1



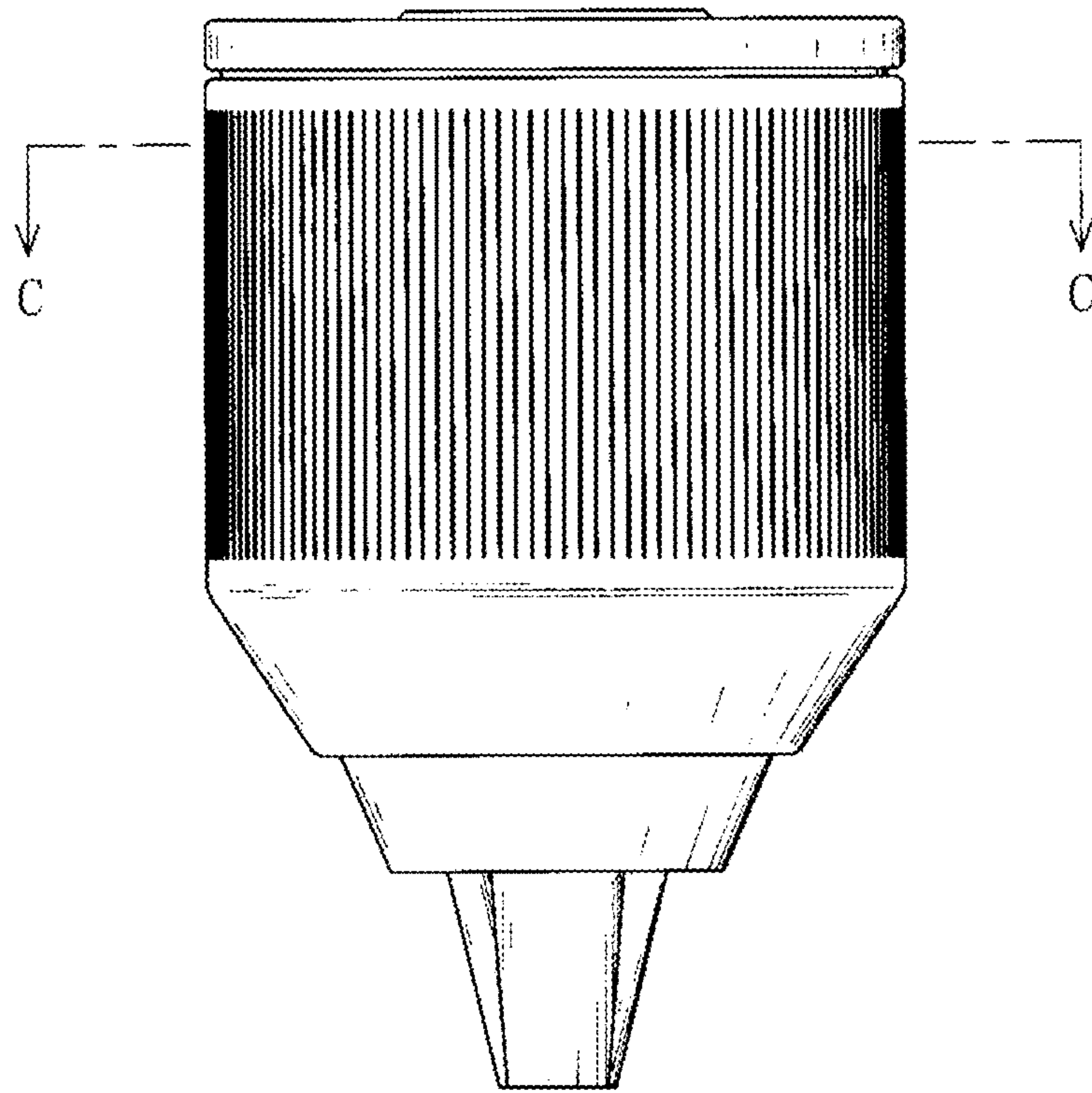


FIG. 2

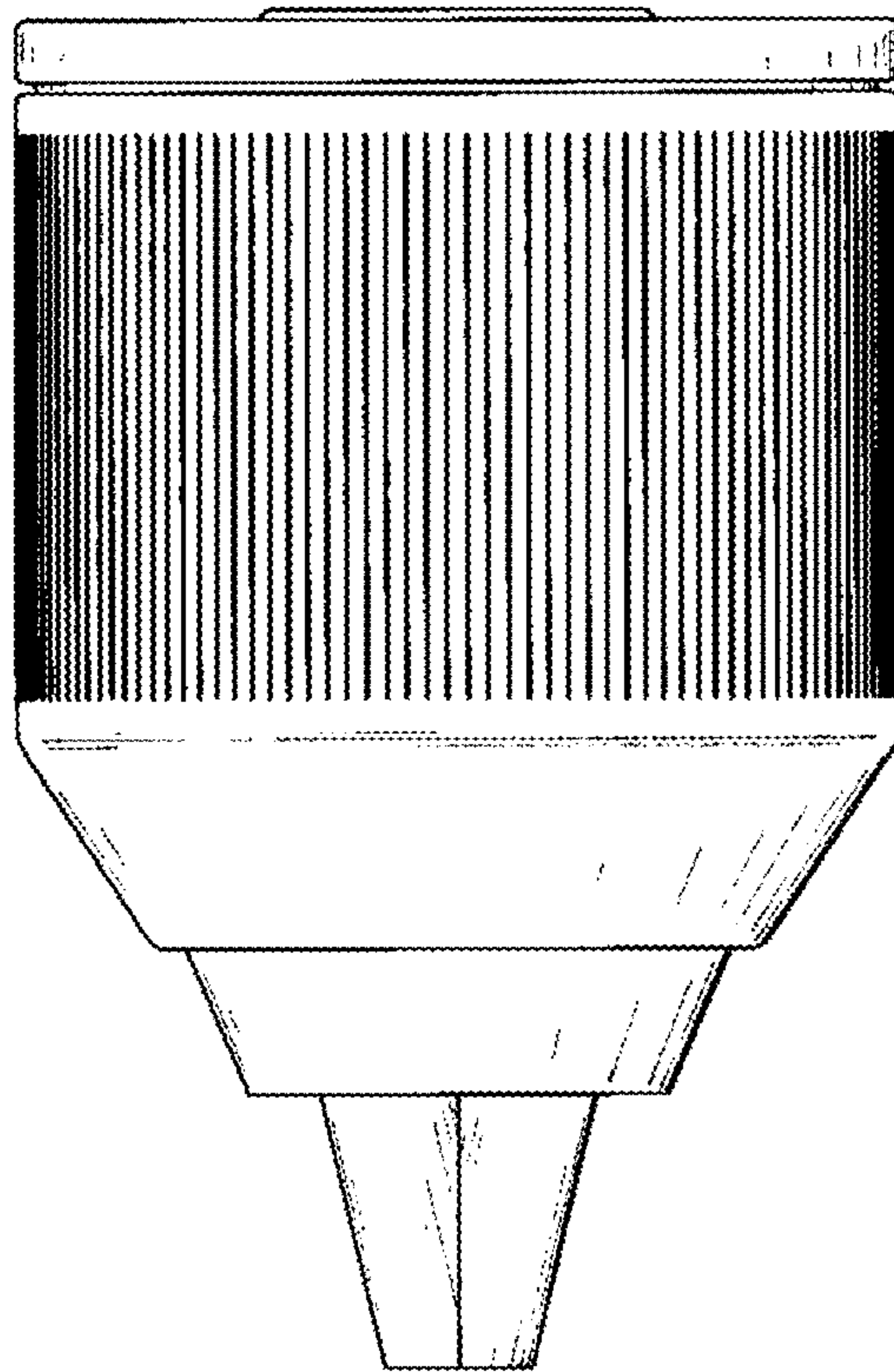


FIG. 3



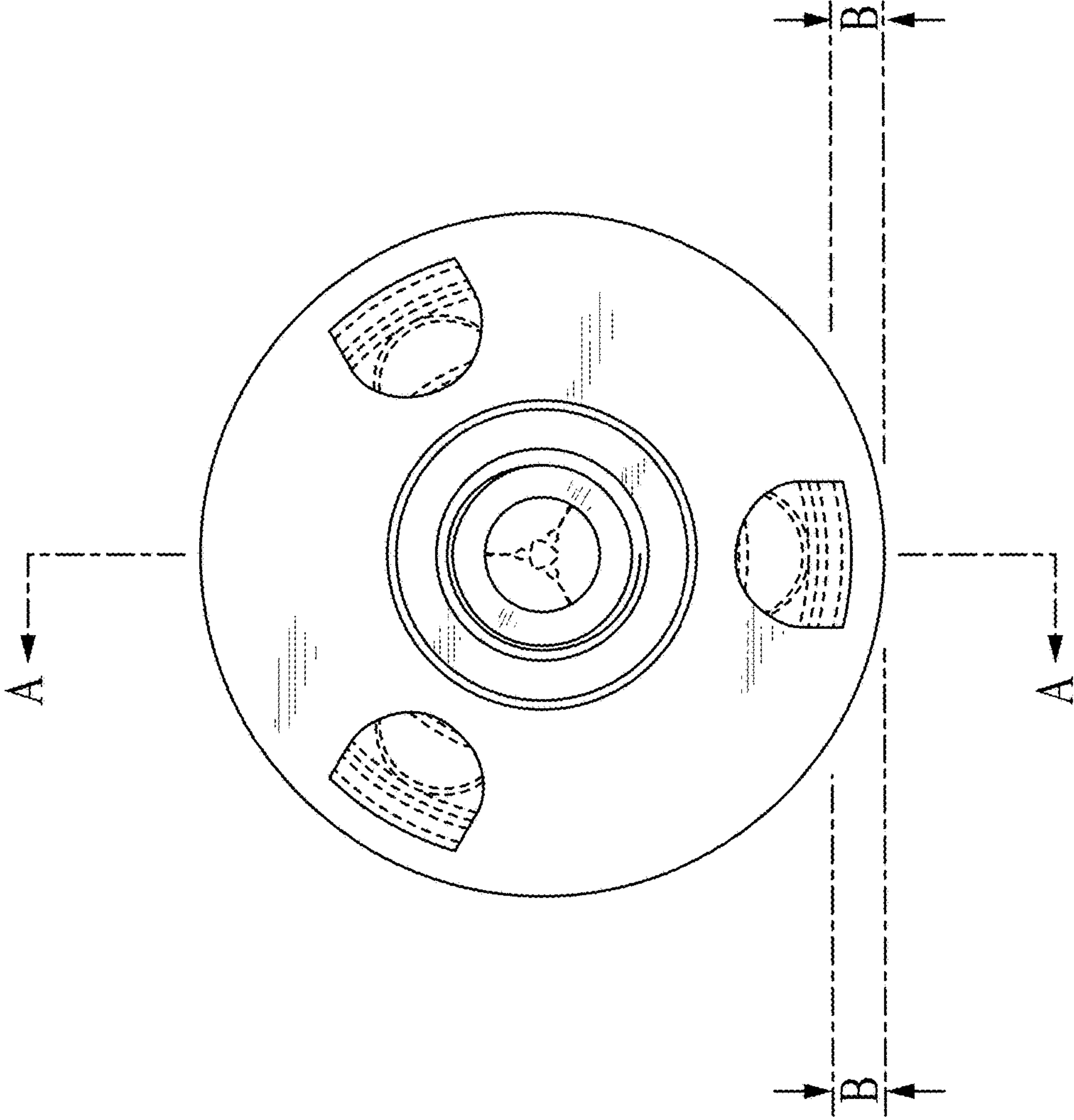


FIG. 4

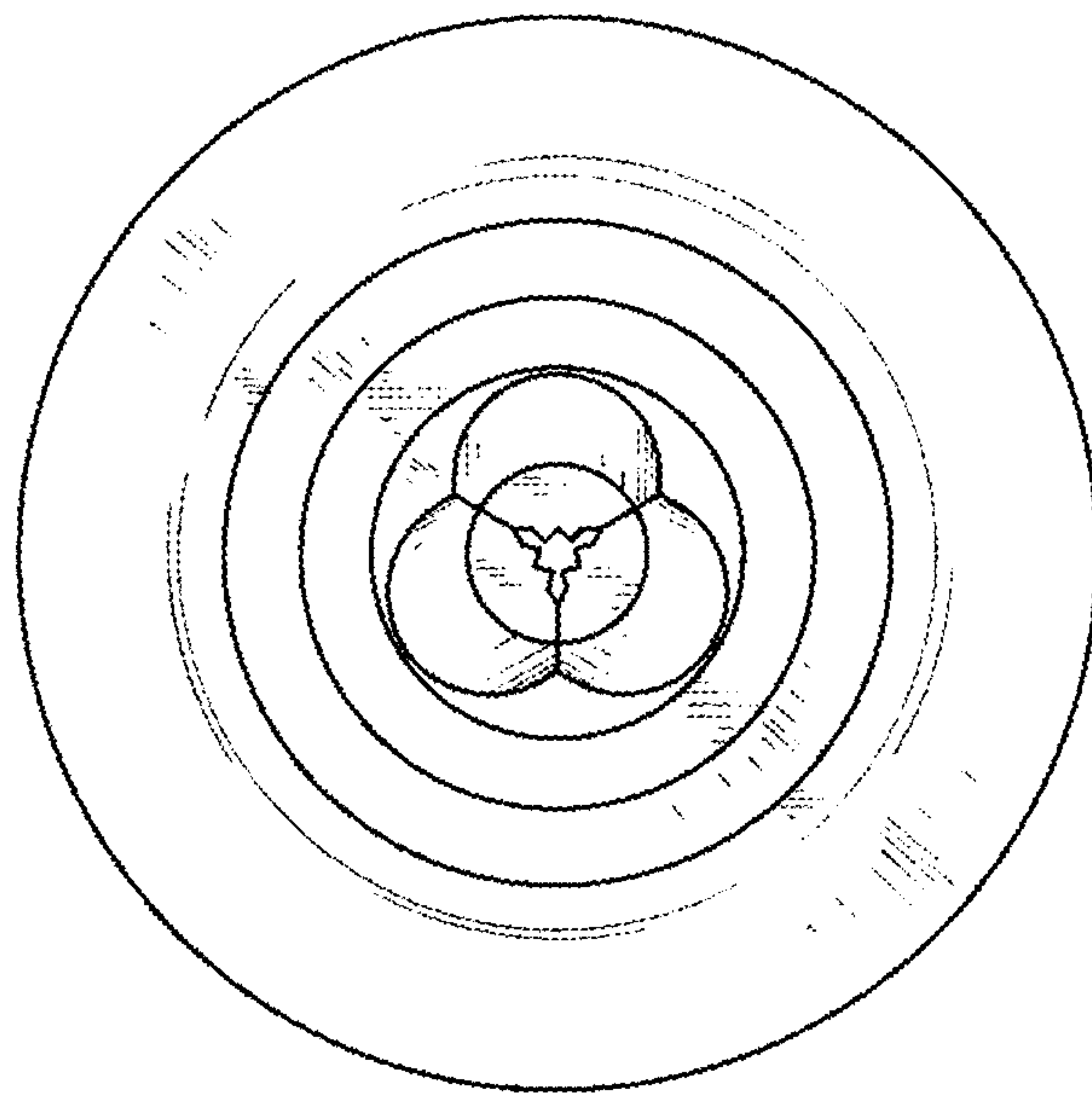


FIG. 5

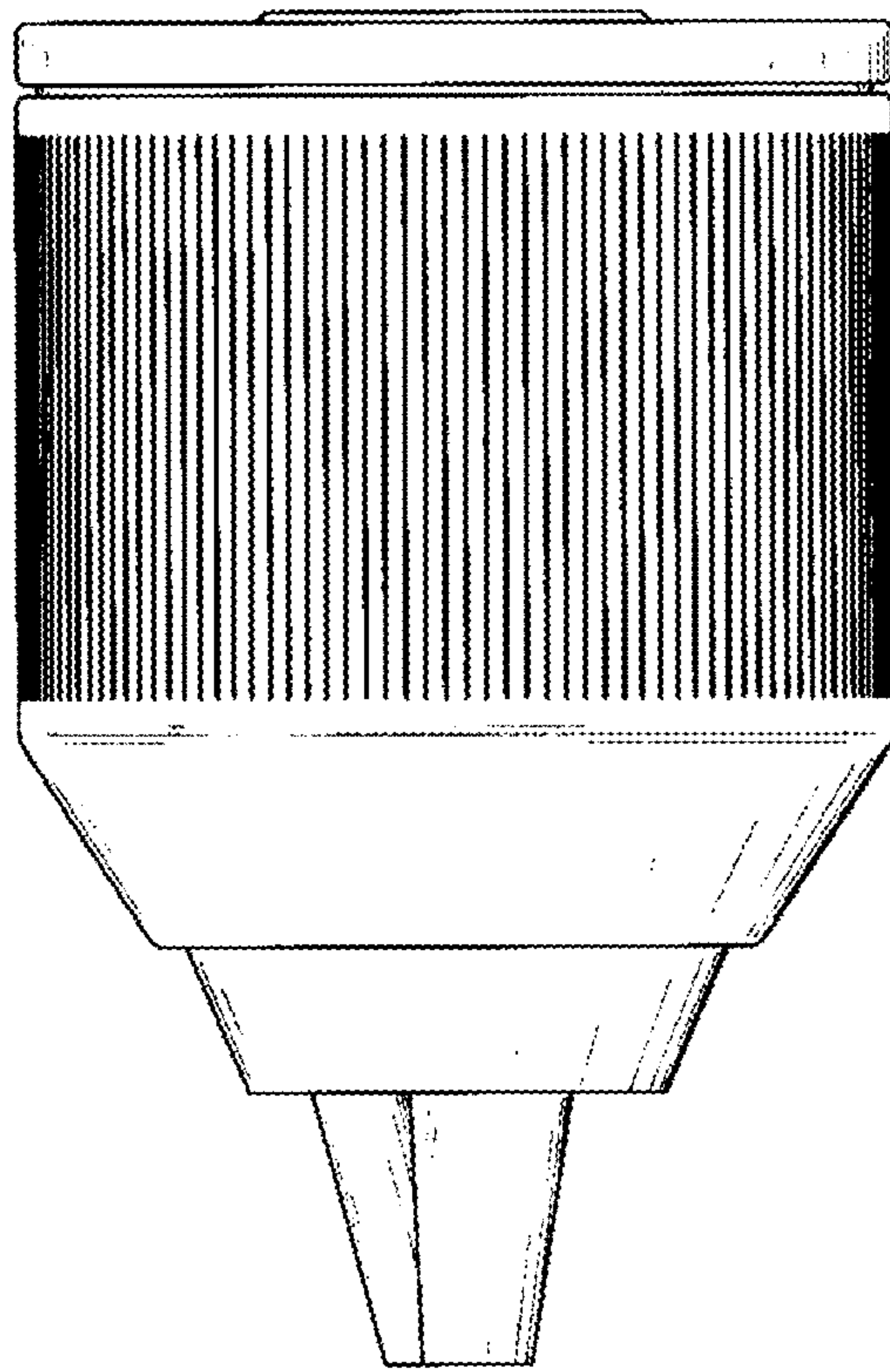
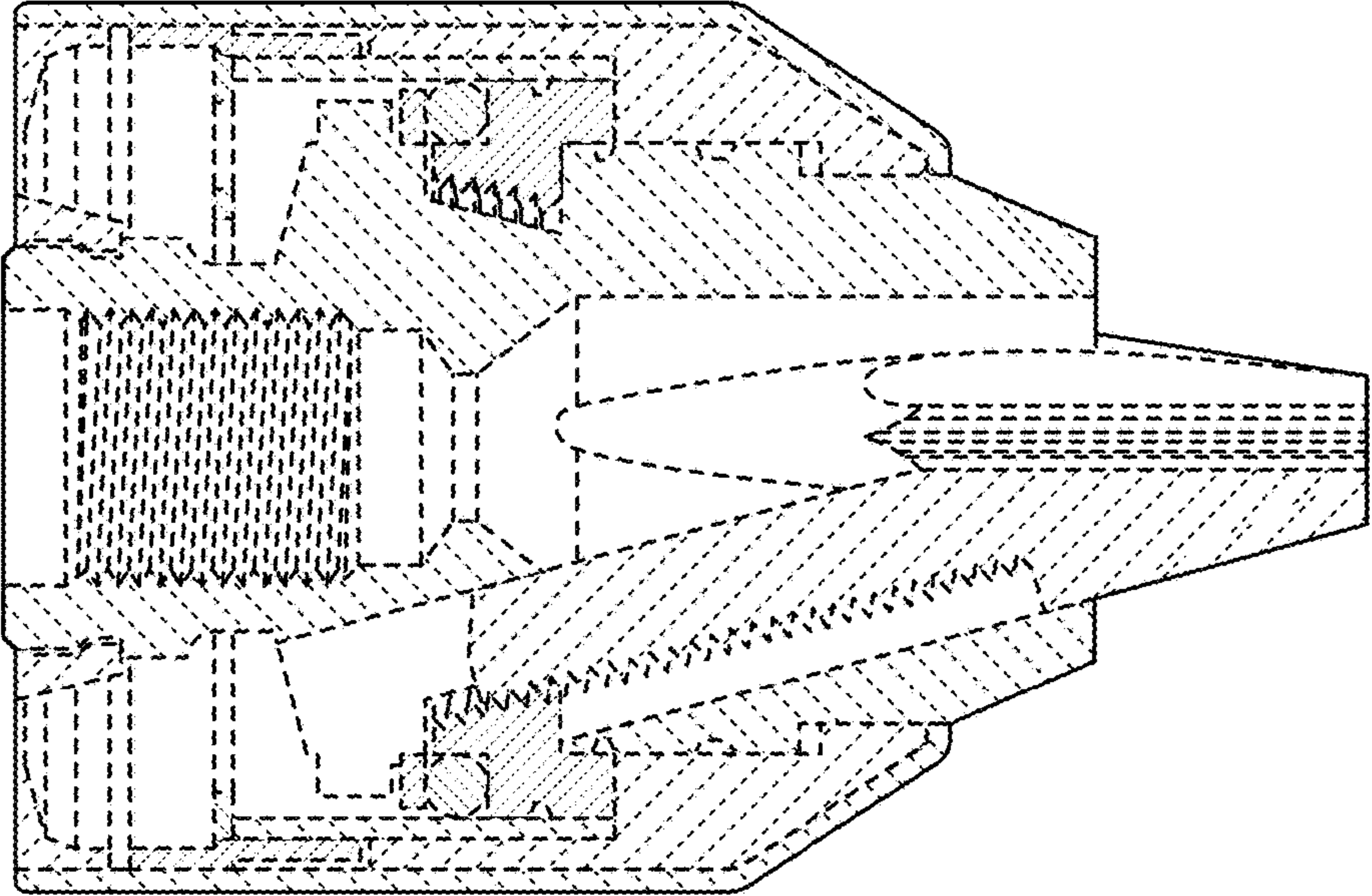


FIG. 6



FIG. 7



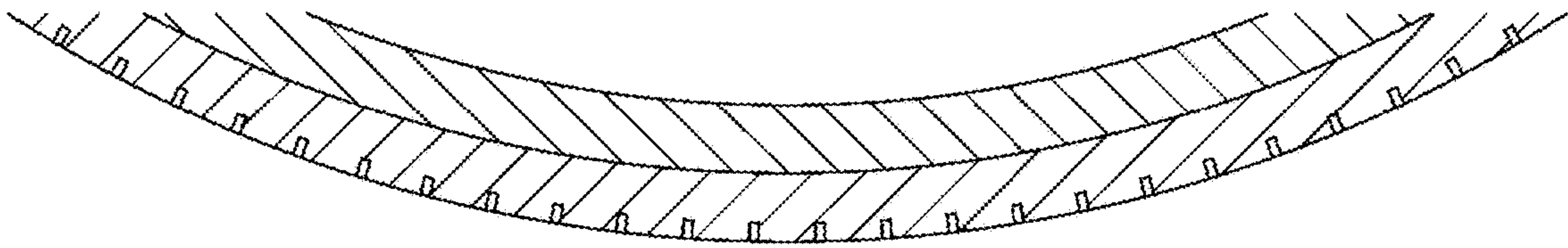


FIG. 8

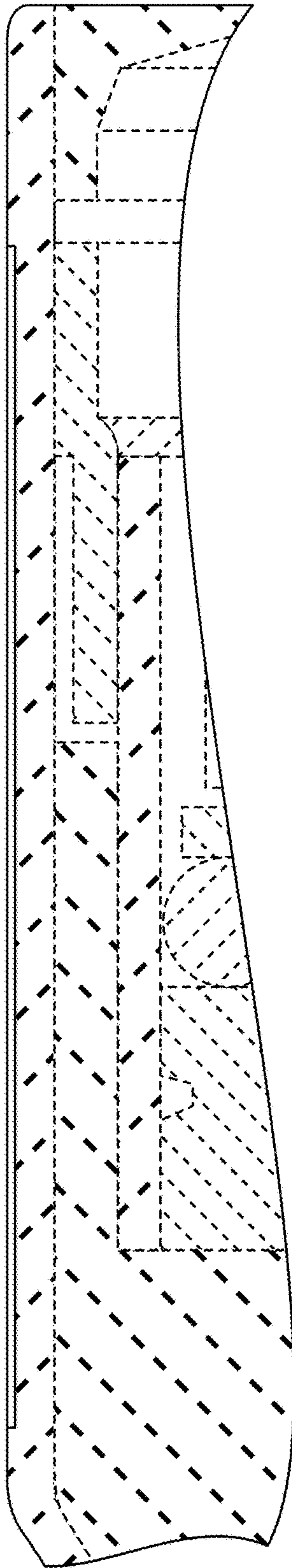


FIG. 9