

US00D837012S

(12) **United States Design Patent** (10) **Patent No.:** **US D837,012 S**
Sakamaki et al. (45) **Date of Patent:** **** *Jan. 1, 2019**

(54) **DRILL CHUCK**
(71) Applicant: **YUKIWA SEIKO INC.**, Ojiya-shi, Niigata (JP)
(72) Inventors: **Kazuo Sakamaki**, Ojiya (JP); **Koji Sakamaki**, Ojiya (JP); **Tadashi Taniguchi**, Ojiya (JP); **Koichi Nakano**, Ojiya (JP)
(73) Assignee: **YUKIWA SEIKO INC.**, Niigata (JP)
(*) Notice: This patent is subject to a terminal disclaimer.
(**) Term: **15 Years**
(21) Appl. No.: **29/596,761**
(22) Filed: **Mar. 10, 2017**
(51) **LOC (11) Cl.** **08-05**
(52) **U.S. Cl.**
USPC **D8/70**; D15/140
(58) **Field of Classification Search**
USPC D8/62, 68-70; D15/138-140
CPC B23B 31/1215; B23B 31/123; B23B 31/1253
See application file for complete search history.

D540,645 S * 4/2007 Yaksich D15/138
D542,815 S * 5/2007 Concari D15/140
D555,181 S * 11/2007 Hu D15/140
D562,099 S * 2/2008 Hu D8/70
D565,376 S * 4/2008 Hu D8/70
D565,377 S * 4/2008 Hu D8/70

(Continued)

FOREIGN PATENT DOCUMENTS

JP 1054222 S 11/1999
JP D1061496 S 2/2000

(Continued)

OTHER PUBLICATIONS

Communication dated Mar. 16, 2017 from the Japanese Patent Office in counterpart Application No. 2016-007499.

Primary Examiner — Darlington Ly

(74) *Attorney, Agent, or Firm* — Sughrue Mion, PLLC

(57) **CLAIM**

The ornamental design for a drill chuck, as shown and described.

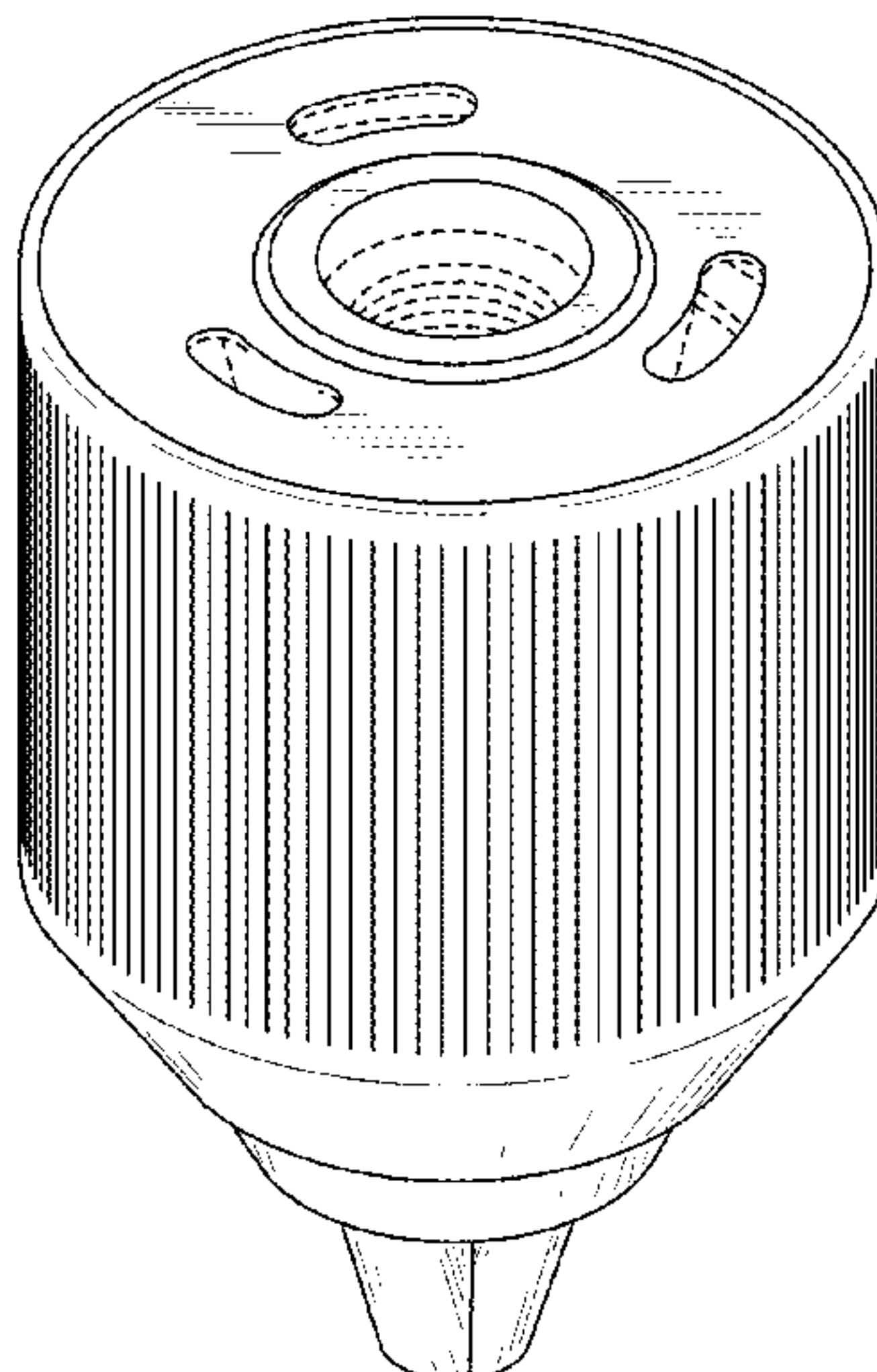
DESCRIPTION

FIG. 1 is a top perspective view of a drill chuck showing our new design;
FIG. 2 is a front elevation view thereof;
FIG. 3 is a rear elevation view thereof;
FIG. 4 is a top plan view thereof;
FIG. 5 is a bottom plan view thereof;
FIG. 6 is a right side elevation view thereof;
FIG. 7 is a cross-sectional view thereof taken along line A-A in FIG. 4;
FIG. 8 is an enlarged sectional view thereof taken along line C-C in FIG. 2 of portion B-B in FIG. 4; and,
FIG. 9 is an enlarged cross-sectional view thereof taken along line A-A in FIG. 4 that shows a length and depth of the grooves shown in FIGS. 1-3, 6, and 8.

1 Claim, 9 Drawing Sheets

(56) **References Cited**
U.S. PATENT DOCUMENTS

D259,855 S * 7/1981 Derbyshire D8/68
D423,527 S * 4/2000 Sakamaki D15/140
D426,840 S * 6/2000 Sakamaki D15/140
D433,909 S * 11/2000 Long D15/140
D434,629 S * 12/2000 Long D15/140
D461,696 S * 8/2002 Chunn D15/140
D461,697 S * 8/2002 Chunn D15/140
D462,249 S * 9/2002 Chunn D15/140
D472,443 S * 4/2003 Chunn D8/70
D474,387 S * 5/2003 Chunn D15/140
D514,416 S * 2/2006 Watson D15/140
D540,137 S 4/2007 Yaksich



(56)

References Cited

U.S. PATENT DOCUMENTS

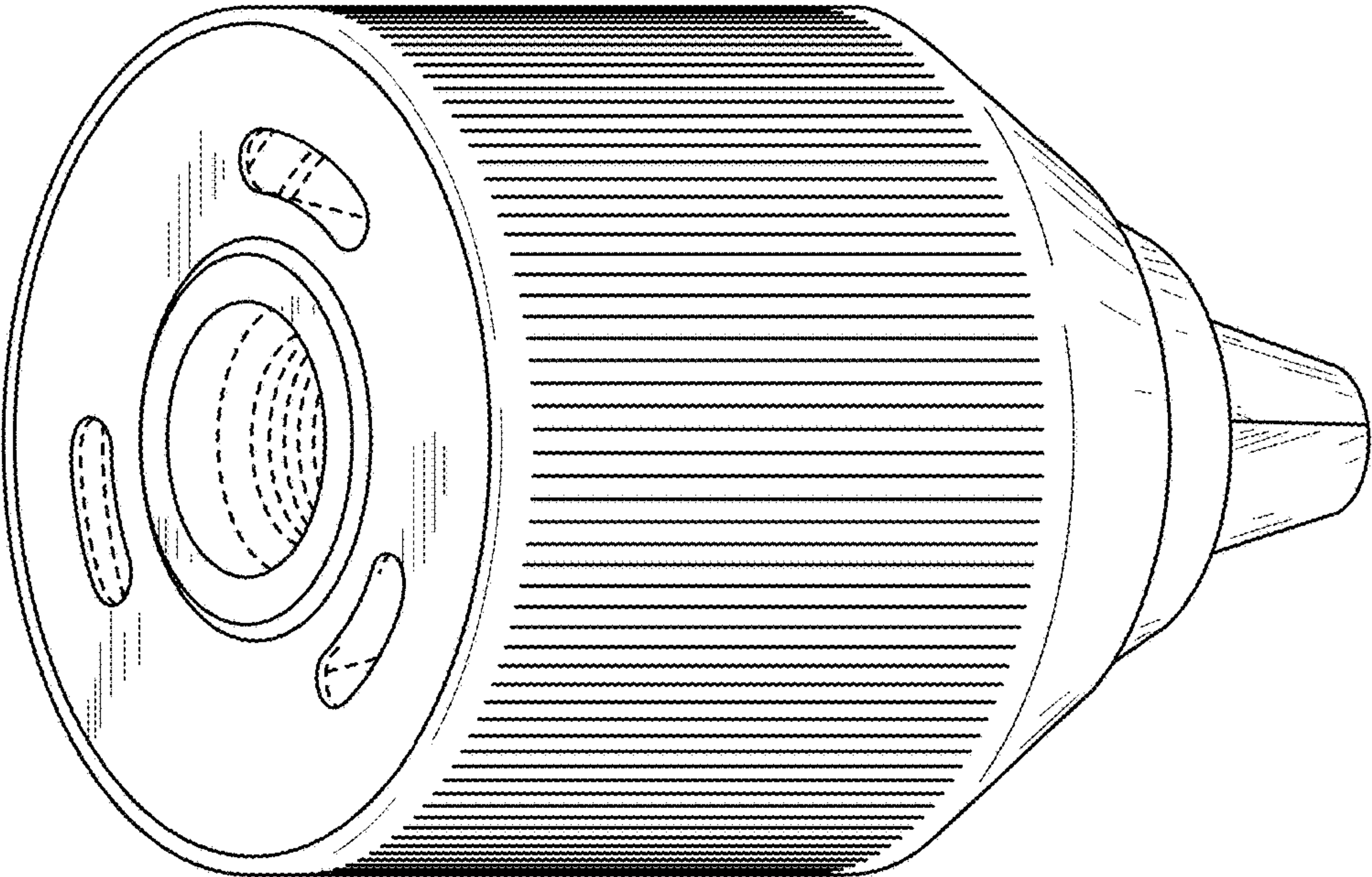
D567,268 S * 4/2008 Mack D15/140
D580,727 S * 11/2008 Mack D8/70
D590,228 S * 4/2009 Aglassinger D8/70
D593,390 S * 6/2009 Sakamaki D15/140
7,845,650 B2 * 12/2010 Mack B23B 31/1215
279/152
8,678,400 B2 3/2014 Bordeianu et al.
D735,007 S * 7/2015 Schenk D15/140
D735,549 S * 8/2015 Schenk D15/140
2008/0143062 A1 * 6/2008 Mack B23B 31/1215
279/62
2010/0127463 A1 * 5/2010 Zhou B23B 31/123
279/61

FOREIGN PATENT DOCUMENTS

JP D1054222/1 S 5/2000
JP D1357494 S 4/2009
JP D1358729 S 5/2009
JP D1524919 S 6/2015

* cited by examiner

FIG. 1



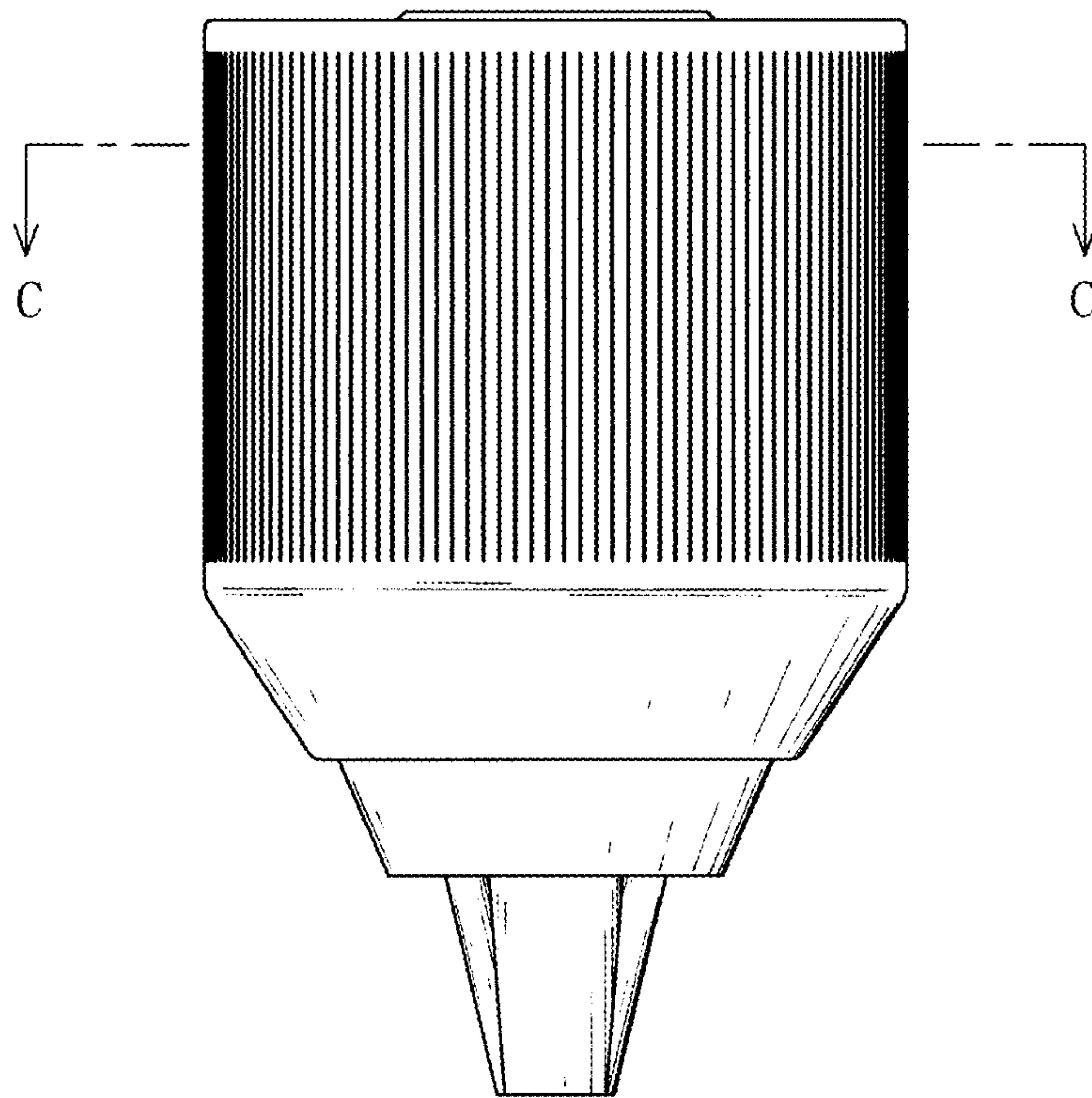


FIG. 2

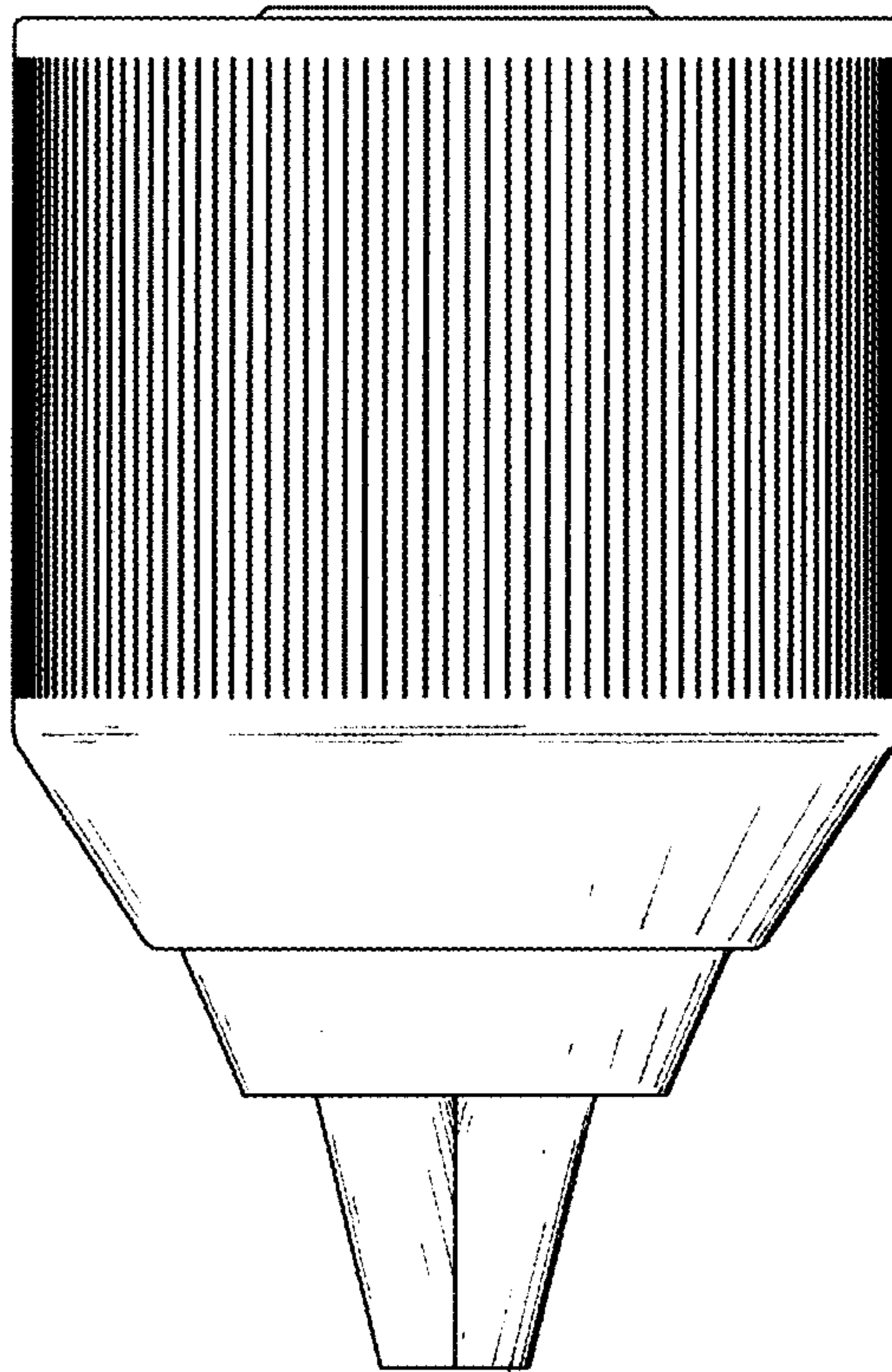


FIG. 3

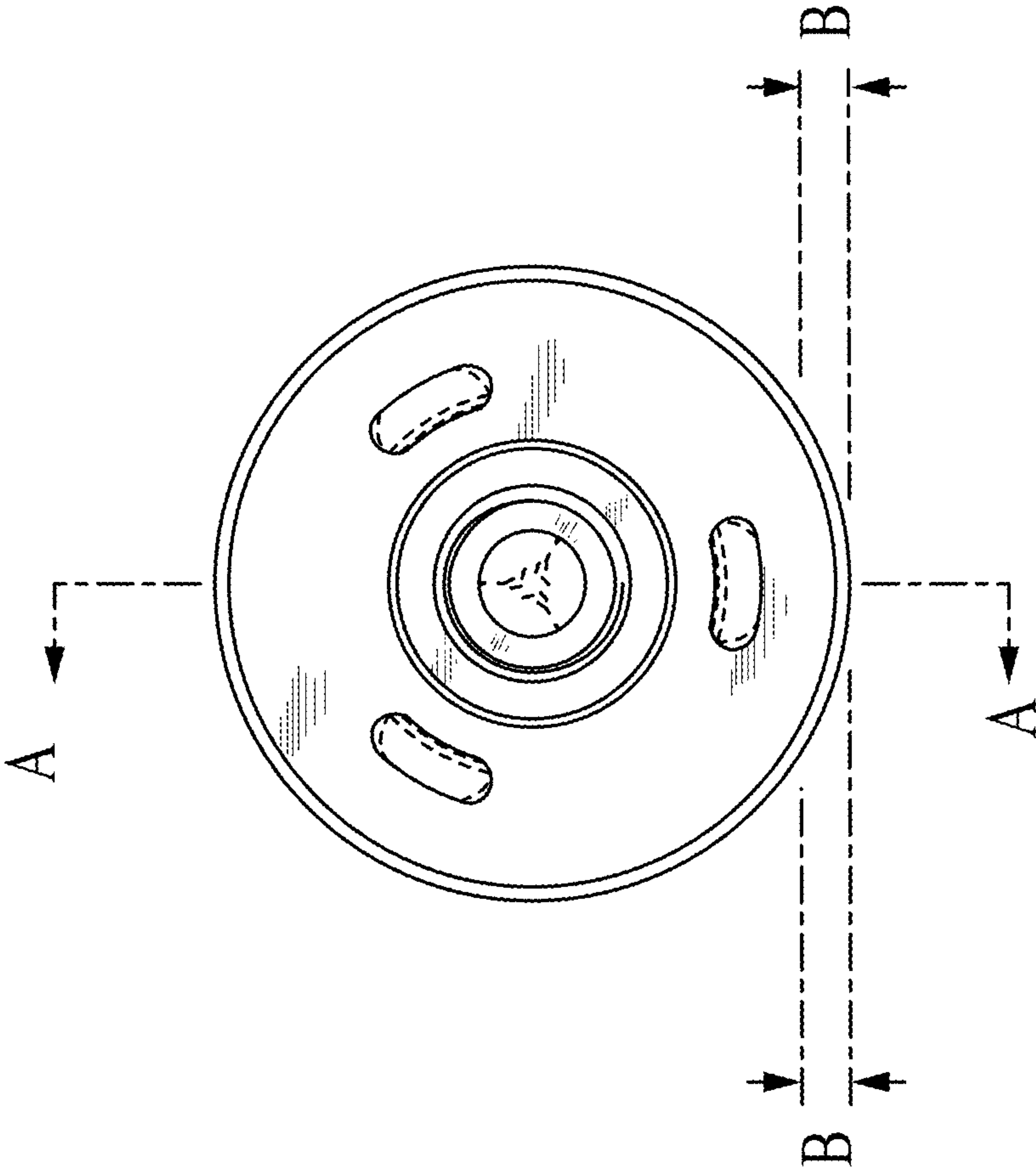


FIG. 4

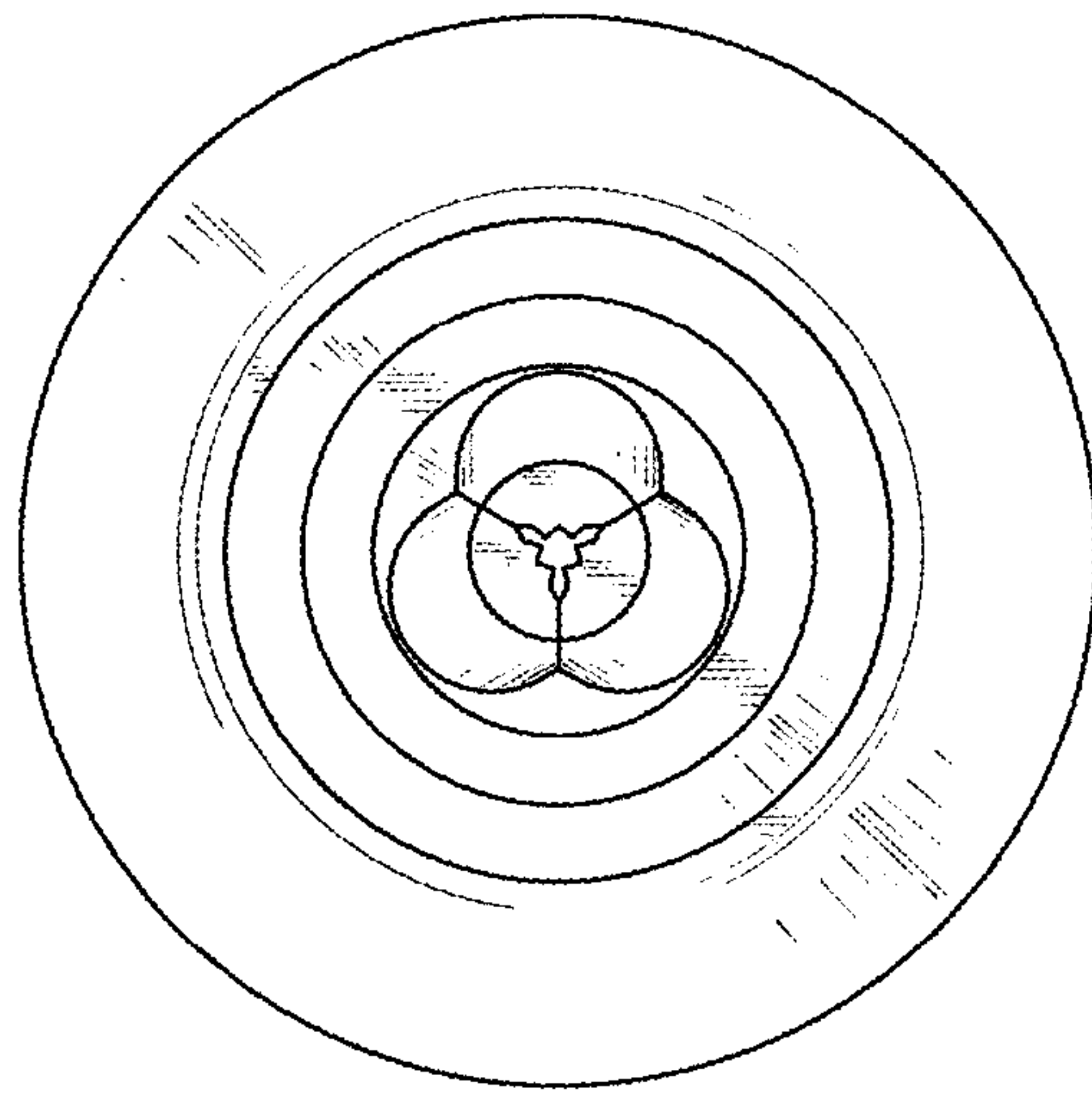


FIG. 5

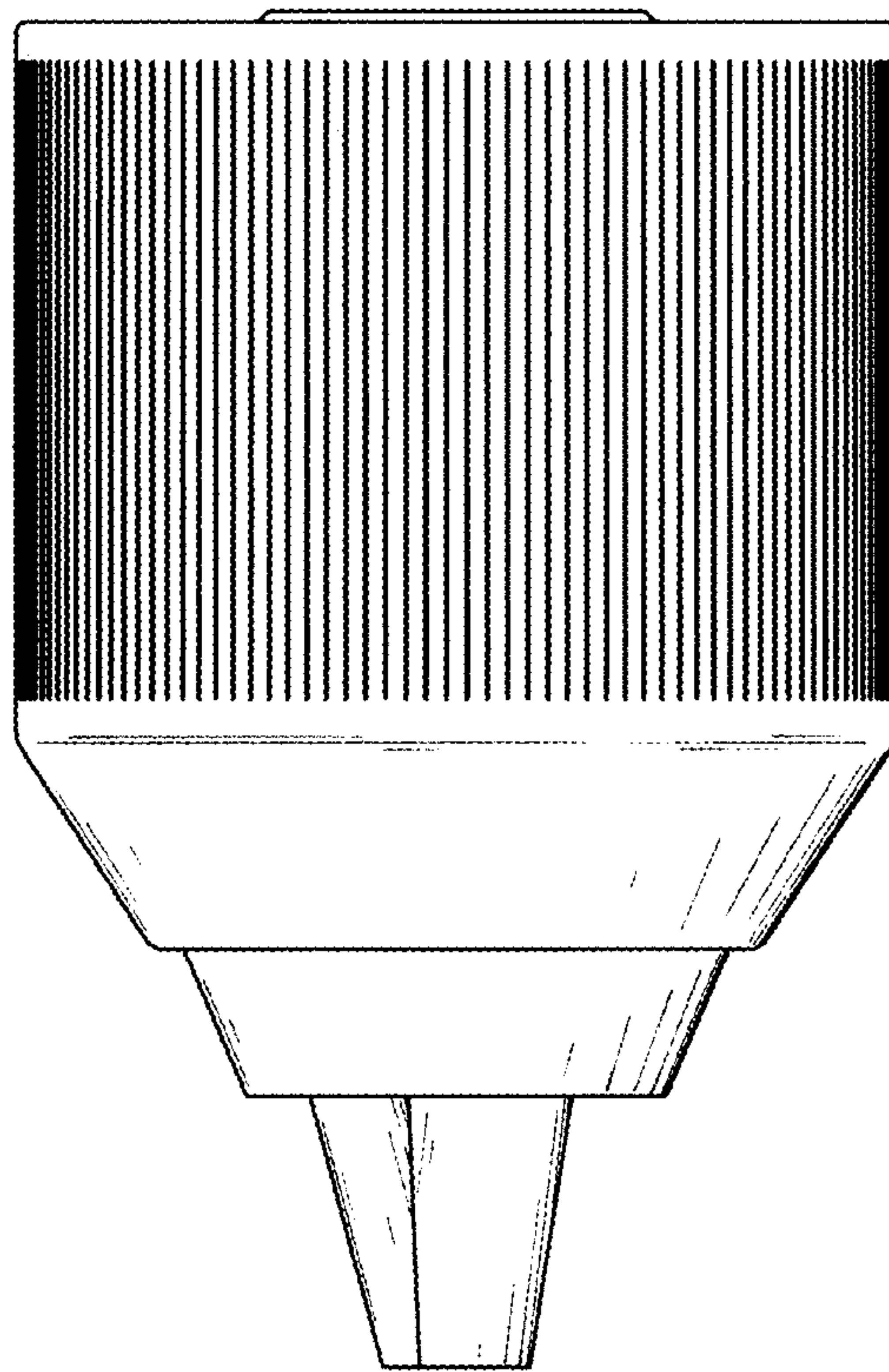
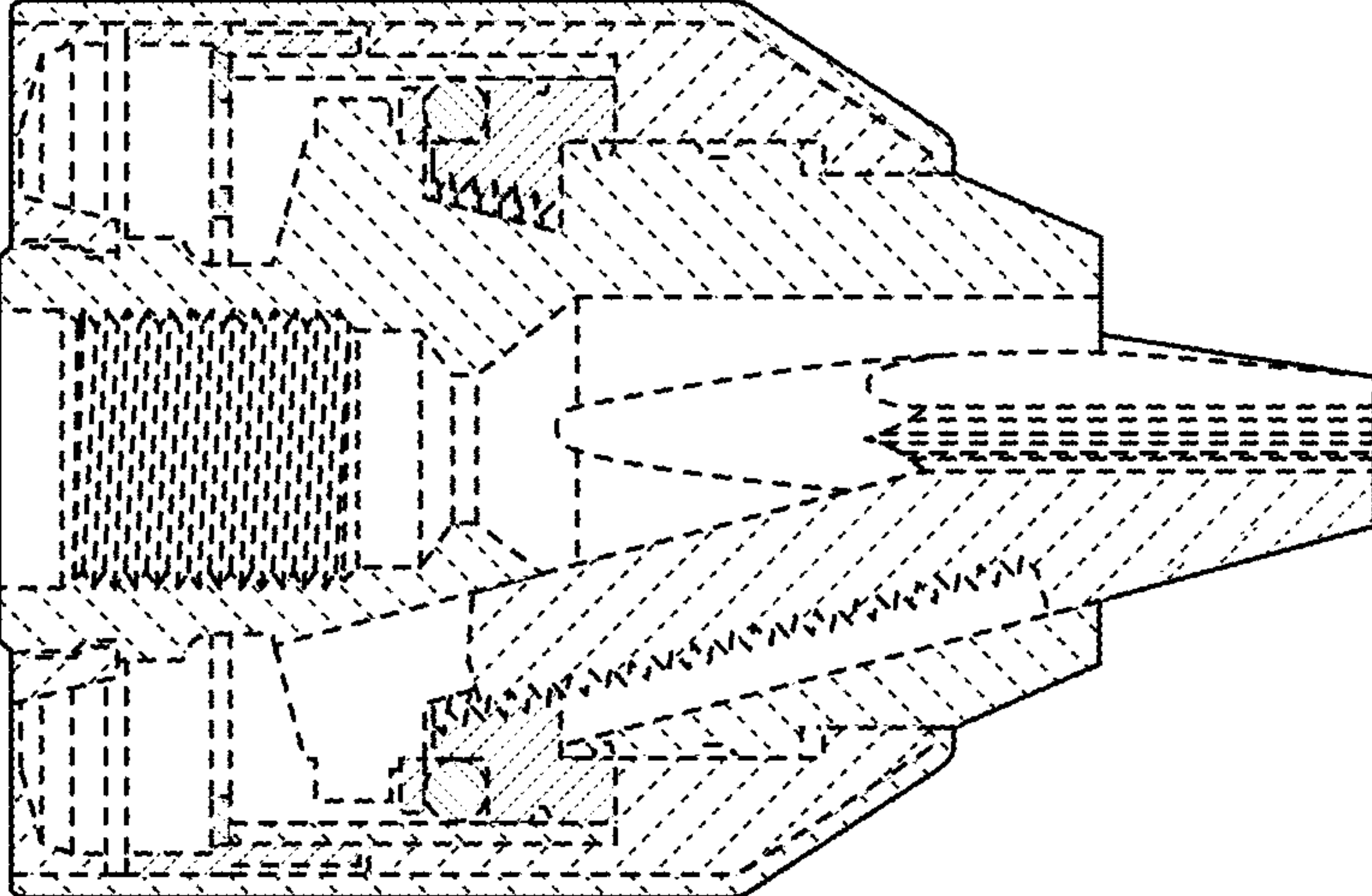


FIG. 6

FIG. 7



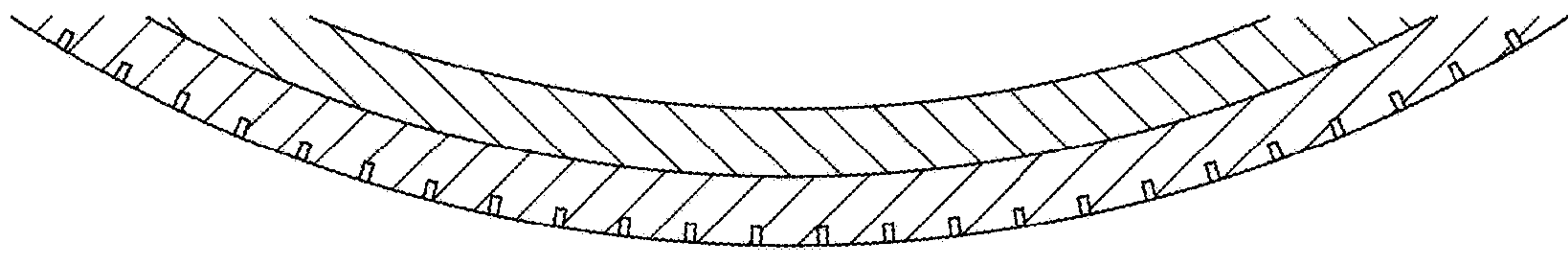


FIG. 8

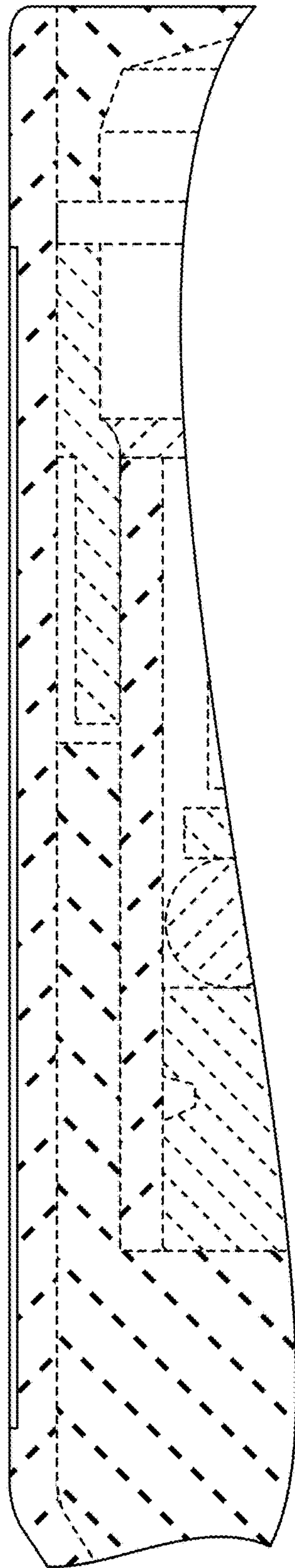


FIG. 9