



US00D837007S

(12) **United States Design Patent** (10) **Patent No.:** **US D837,007 S**
Baylis (45) **Date of Patent:** **** Jan. 1, 2019**

(54) **GLUE GUN**
(71) Applicant: **STONERIDGE KITCHEN & BATH LLC**, Rockland, MA (US)
(72) Inventor: **Steven P. Baylis**, Rockland, MA (US)
(73) Assignee: **STONERIDGE KITCHEN & BATH LLC**, Rockland, MA (US)

D470,888 S 2/2003 Kuboshima
6,807,704 B2 10/2004 Nishitani
D511,077 S * 11/2005 Huang D8/14.1
D514,408 S * 2/2006 Melendy D8/14.1
D523,479 S 6/2006 Shimizu et al.
D535,167 S * 1/2007 Monfeli D8/14.1
7,775,403 B2 * 8/2010 Monfeli B05C 17/00526
219/242
D635,835 S * 4/2011 Post D8/14.1
D649,592 S 11/2011 Ariga et al.
D654,375 S 2/2012 Kuboshima
(Continued)

(**) Term: **15 Years**

(21) Appl. No.: **29/604,479**
(22) Filed: **May 17, 2017**
(51) **LOC (11) Cl.** **08-05**
(52) **U.S. Cl.**
USPC **D8/30**
(58) **Field of Classification Search**
USPC D8/14, 14.1, 30, 29.1, 51
CPC B05C 17/0053; B05C 17/00546; B05C
17/00526; B05C 17/01
See application file for complete search history.

OTHER PUBLICATIONS

[No Author Listed], 3M Scotch-Weld EPX Applicator. KK* COOLTOOLS. Jan. 25, 2012, 4 pages. <http://web.archive.org/web/20150905175729/http://kk.org/cooltools/3m-scotch-weld/> [accessed Sep. 5, 2015 via archive.org].

(Continued)

Primary Examiner — Philip S Hyder
(74) *Attorney, Agent, or Firm* — Wolf, Greenfield & Sacks, P.C.

(56) **References Cited**

U.S. PATENT DOCUMENTS

D82,640 S 11/1930 Lynch
3,266,079 A 8/1966 Schwartzman
3,523,628 A 8/1970 Colvin et al.
D219,900 S 2/1971 van Lelyveld
D289,968 S * 5/1987 Somers D8/14.1
D292,672 S 11/1987 Duell
D309,755 S 8/1990 Halm
D341,227 S 11/1993 Lang et al.
D352,451 S 11/1994 Linner
5,362,164 A * 11/1994 Wingert B05C 17/00526
219/505
5,393,368 A 2/1995 Stevens
D375,256 S 11/1996 Chadfield
D398,204 S * 9/1998 Lee D8/14.1
D402,404 S 12/1998 Tanaka et al.
D406,992 S * 3/1999 Cheng D8/30

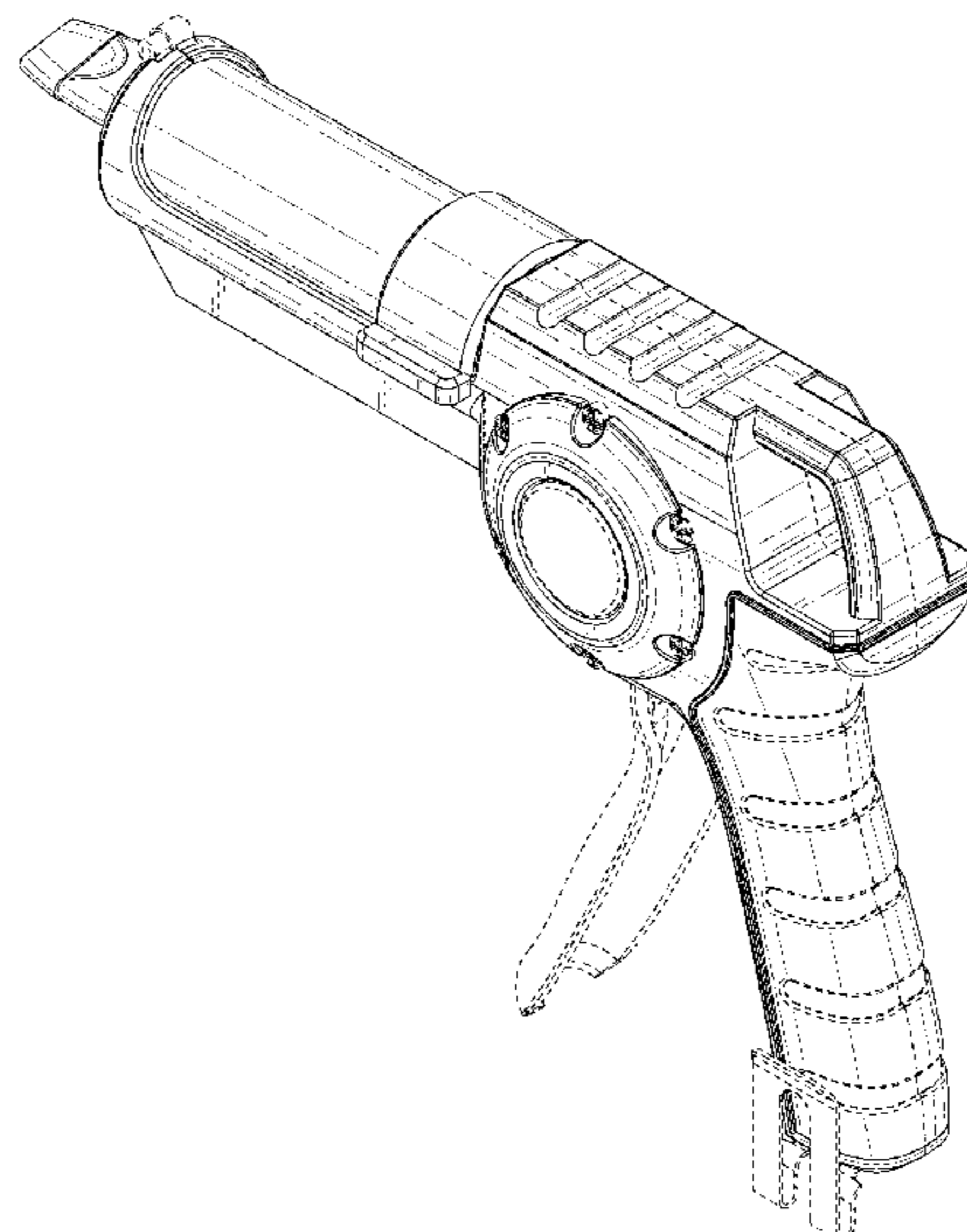
(57) **CLAIM**

The ornamental design for a glue gun, as shown and described.

DESCRIPTION

FIG. 1 is a perspective view of a glue gun showing my new design;
FIG. 2 is a front elevation view thereof;
FIG. 3 is a back elevation view thereof;
FIG. 4 is a right side elevation view thereof;
FIG. 5 is a left side elevation view thereof;
FIG. 6 is a top elevation view thereof; and,
FIG. 7 is a bottom elevation view thereof.
The broken lines represent portions of the glue gun that form no part of the claimed design.

1 Claim, 7 Drawing Sheets



(56)

References Cited

U.S. PATENT DOCUMENTS

D655,621 S 3/2012 Py et al.
D716,658 S 11/2014 Sillince
D734,168 S 7/2015 Rajaiah et al.
D745,742 S 12/2015 Betts
D776,337 S 1/2017 Levin et al.
D793,193 S * 8/2017 Lee D8/30
D805,079 S 12/2017 Han et al.
D810,197 S 2/2018 Parekh
2017/0080449 A1* 3/2017 Lee B05C 17/0053
2018/0169694 A1* 6/2018 Baylis B05C 17/00576

OTHER PUBLICATIONS

[No Author Listed], Heavy Duty Glue Gun—300 Watt. ULINE.
https://www.uline.com/Product/Detail/H-1903/Glue-Guns-and-Glue-Sticks/Heavy-Duty-Glue-Gun-300-Watt?pricode=WA9057&gadtype=pla&id=H-1903&gclid=EA1aIQobChMIn87Ojc_Z1QIVg7fACh0mTwgWEAQYASABEgJ8RvD_BwE&gclidsrc=aw.ds [available as early as Feb. 9, 2014 via archive.org].
U.S. Appl. No. 29/604,470, filed May 17, 2017, Baylis.
U.S. Appl. No. 29/604,475, filed May 17, 2017, Baylis.

* cited by examiner

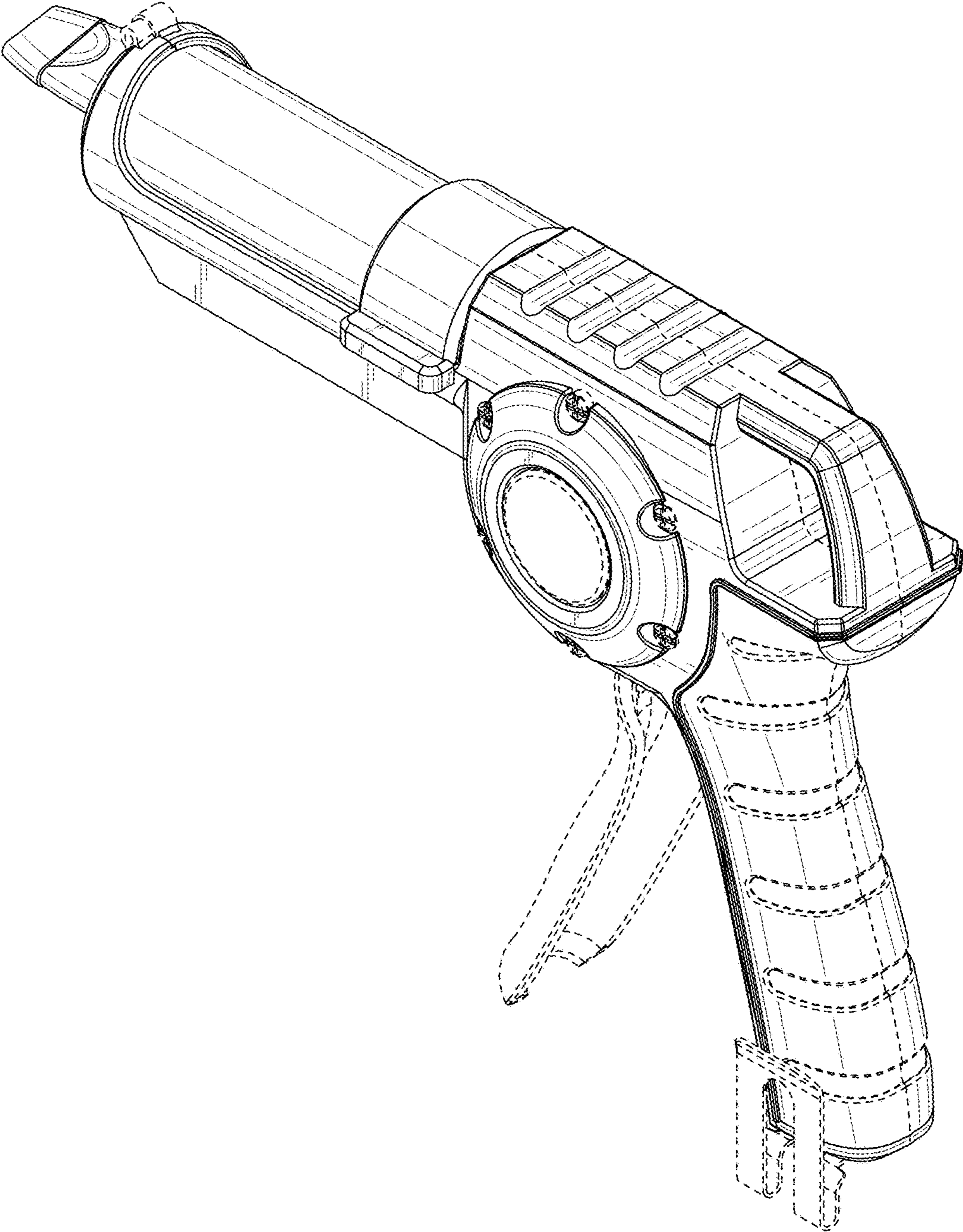


FIG. 1

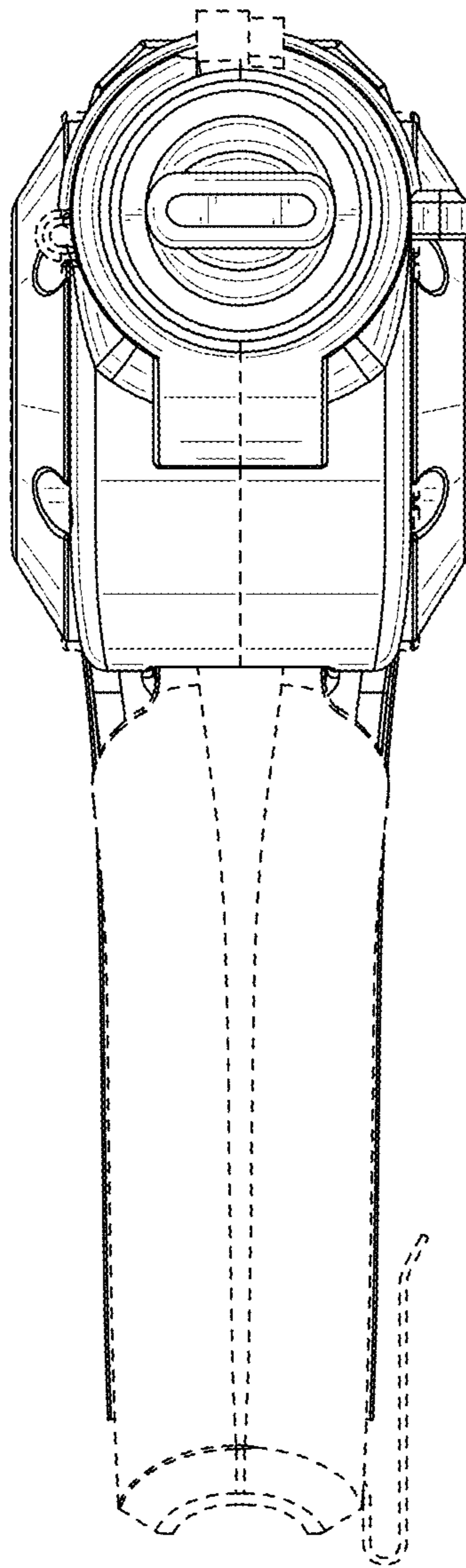


FIG. 2

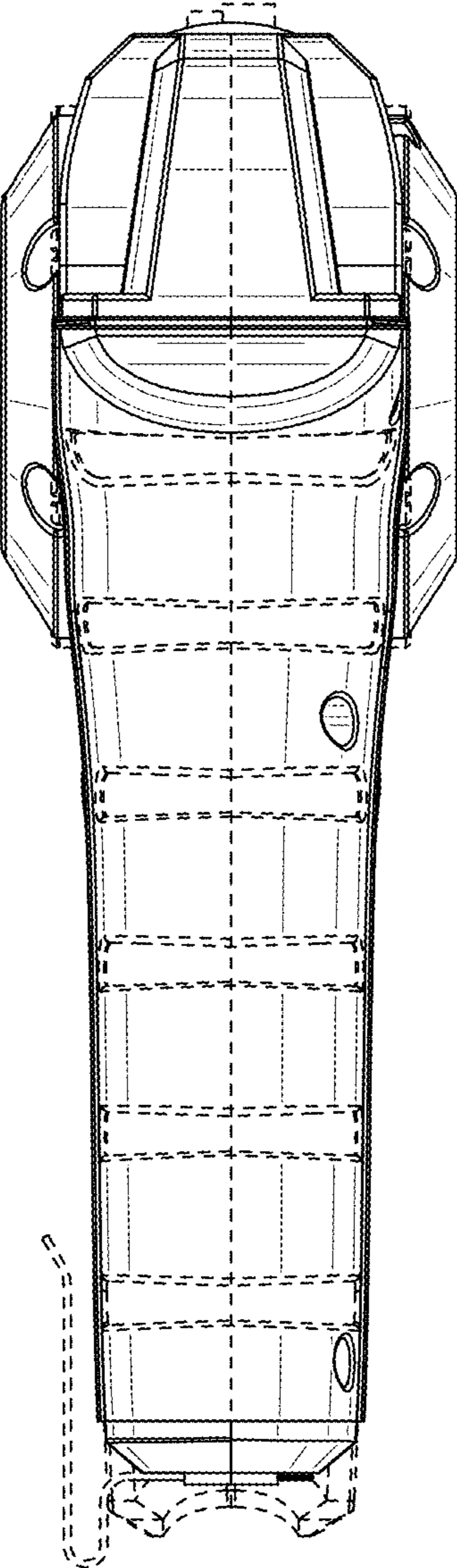


FIG. 3

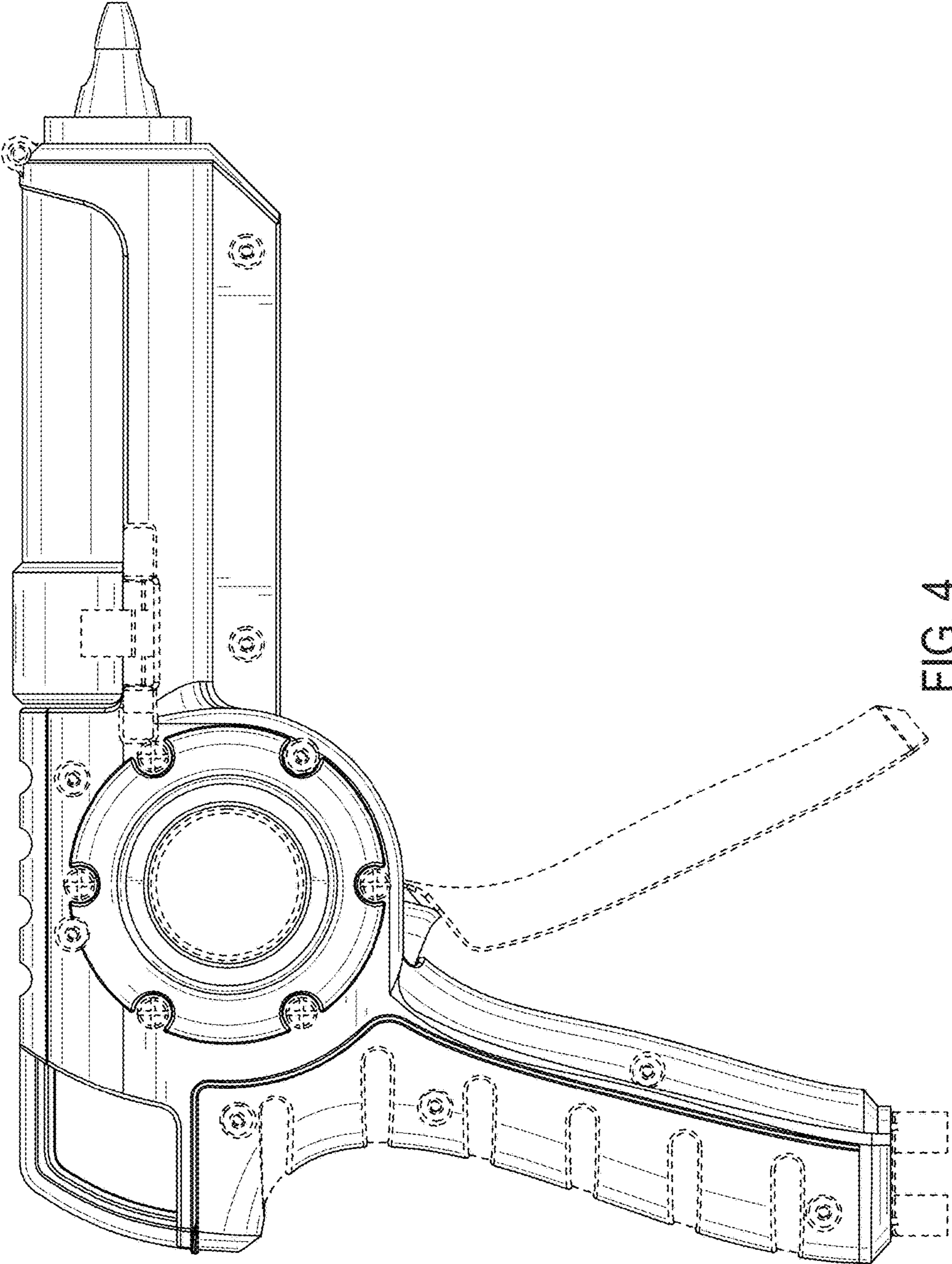


FIG. 4

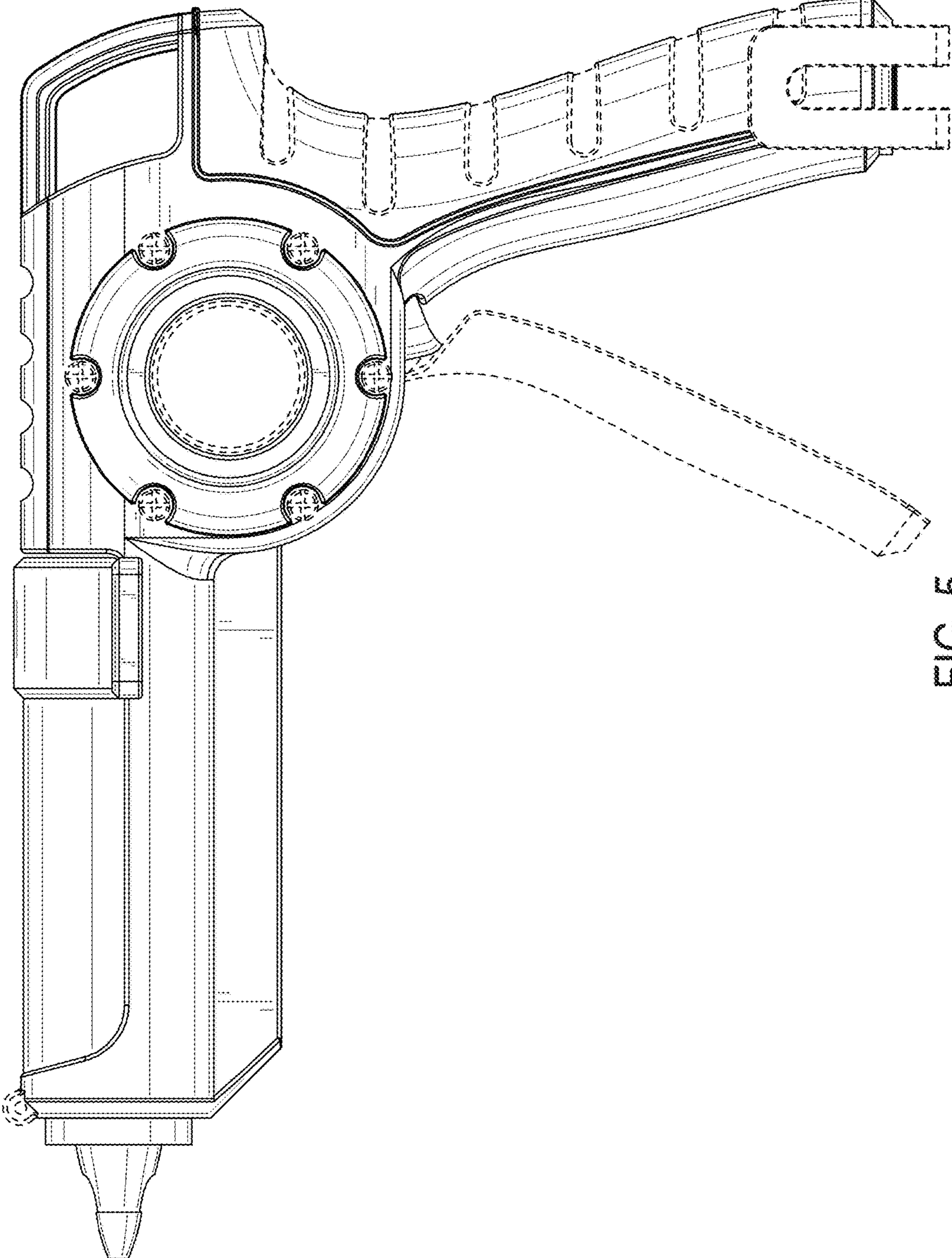


FIG. 5

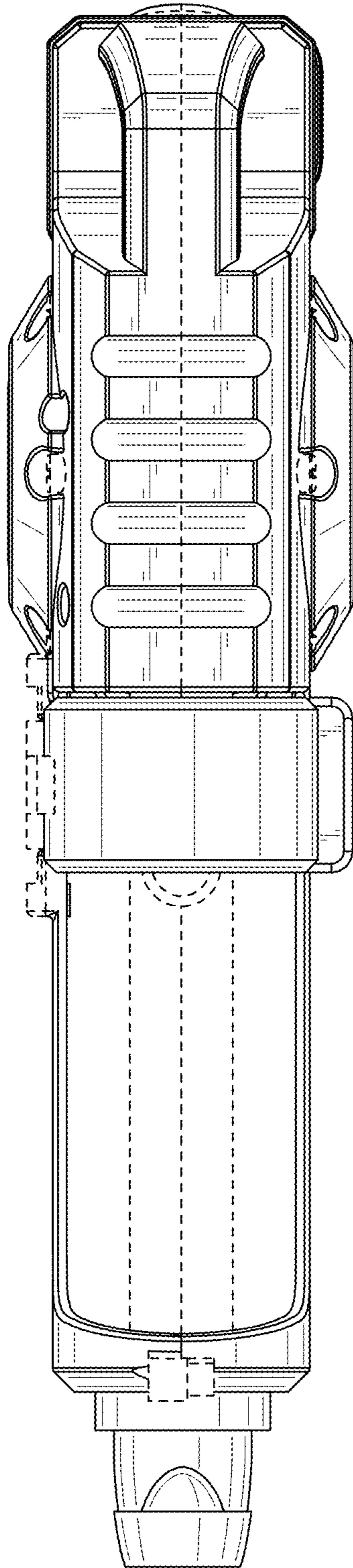


FIG. 6

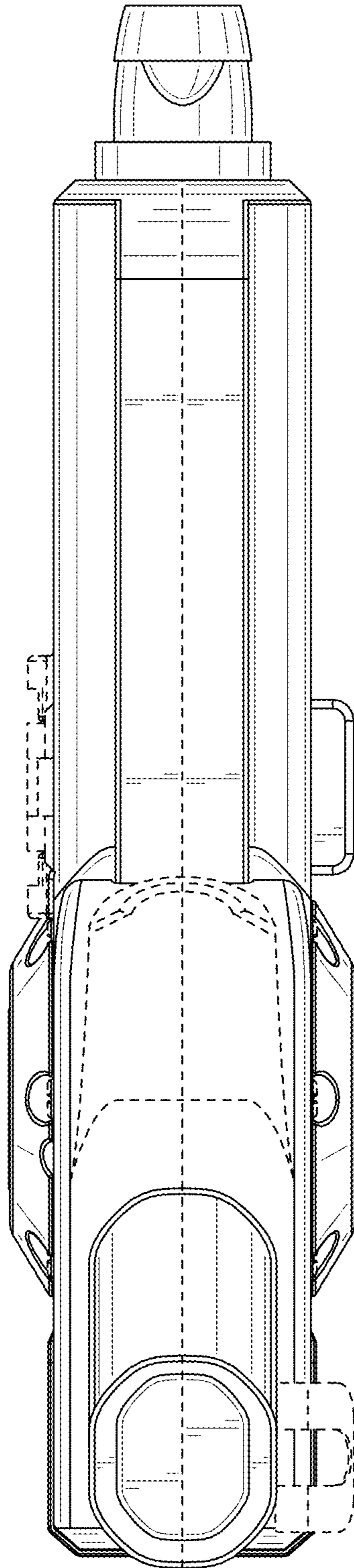


FIG. 7