



US00D837006S

(12) **United States Design Patent** (10) **Patent No.:** **US D837,006 S**  
**Baylis** (45) **Date of Patent:** **\*\* Jan. 1, 2019**

(54) **GLUE GUN**  
(71) Applicant: **STONERIDGE KITCHEN & BATH LLC**, Rockland, MA (US)  
(72) Inventor: **Steven P. Baylis**, Rockland, MA (US)  
(73) Assignee: **STONERIDGE KITCHEN & BATH LLC**, Rockland, MA (US)

D470,888 S 2/2003 Kuboshima  
6,807,704 B2 10/2004 Nishitani  
D511,077 S \* 11/2005 Huang ..... D8/14.1  
D514,408 S \* 2/2006 Melendy ..... D8/14.1  
D523,479 S 6/2006 Shimizu et al.  
D535,167 S \* 1/2007 Monfeli ..... D8/14.1  
7,775,403 B2 \* 8/2010 Monfeli ..... B05C 17/00526  
219/242  
D635,835 S \* 4/2011 Post ..... D8/14.1  
D649,592 S 11/2011 Ariga et al.  
D654,375 S 2/2012 Kuboshima

(\*\*) Term: **15 Years**

(Continued)

(21) Appl. No.: **29/604,470**  
(22) Filed: **May 17, 2017**  
(51) **LOC (11) Cl.** ..... **08-05**  
(52) **U.S. Cl.**  
USPC ..... **D8/30**  
(58) **Field of Classification Search**  
USPC ..... D8/14, 14.1, 30, 29.1, 51  
CPC ..... B05C 17/0053; B05C 17/00546; B05C  
17/00526; B05C 17/01  
See application file for complete search history.

**OTHER PUBLICATIONS**

[No Author Listed], 3M Scotch-Weld EPX Applicator. KK\* Cooltools. Jan. 25, 2012, 4 pages. <http://web.archive.org/web/20150905175729/http://kk.org/cooltools/3m-scotch-weld/> [accessed Sep. 5, 2015 via archive.org].

(Continued)

*Primary Examiner* — Philip S Hyder  
(74) *Attorney, Agent, or Firm* — Wolf, Greenfield & Sacks, P.C.

(56) **References Cited**

**U.S. PATENT DOCUMENTS**

D82,640 S 11/1930 Lynch  
3,266,079 A 8/1966 Schwartzman  
3,523,628 A 8/1970 Colvin et al.  
D219,900 S 2/1971 van Lelyveld  
D289,968 S \* 5/1987 Somers ..... D8/14.1  
D292,672 S 11/1987 Duell  
D309,755 S 8/1990 Halm  
D341,227 S 11/1993 Lang et al.  
D352,451 S 11/1994 Linner  
5,362,164 A \* 11/1994 Wingert ..... B05C 17/00526  
219/505  
5,393,368 A 2/1995 Stevens  
D375,256 S 11/1996 Chadfield  
D398,204 S \* 9/1998 Lee ..... D8/14.1  
D402,404 S 12/1998 Tanaka et al.  
D406,992 S \* 3/1999 Cheng ..... D8/30

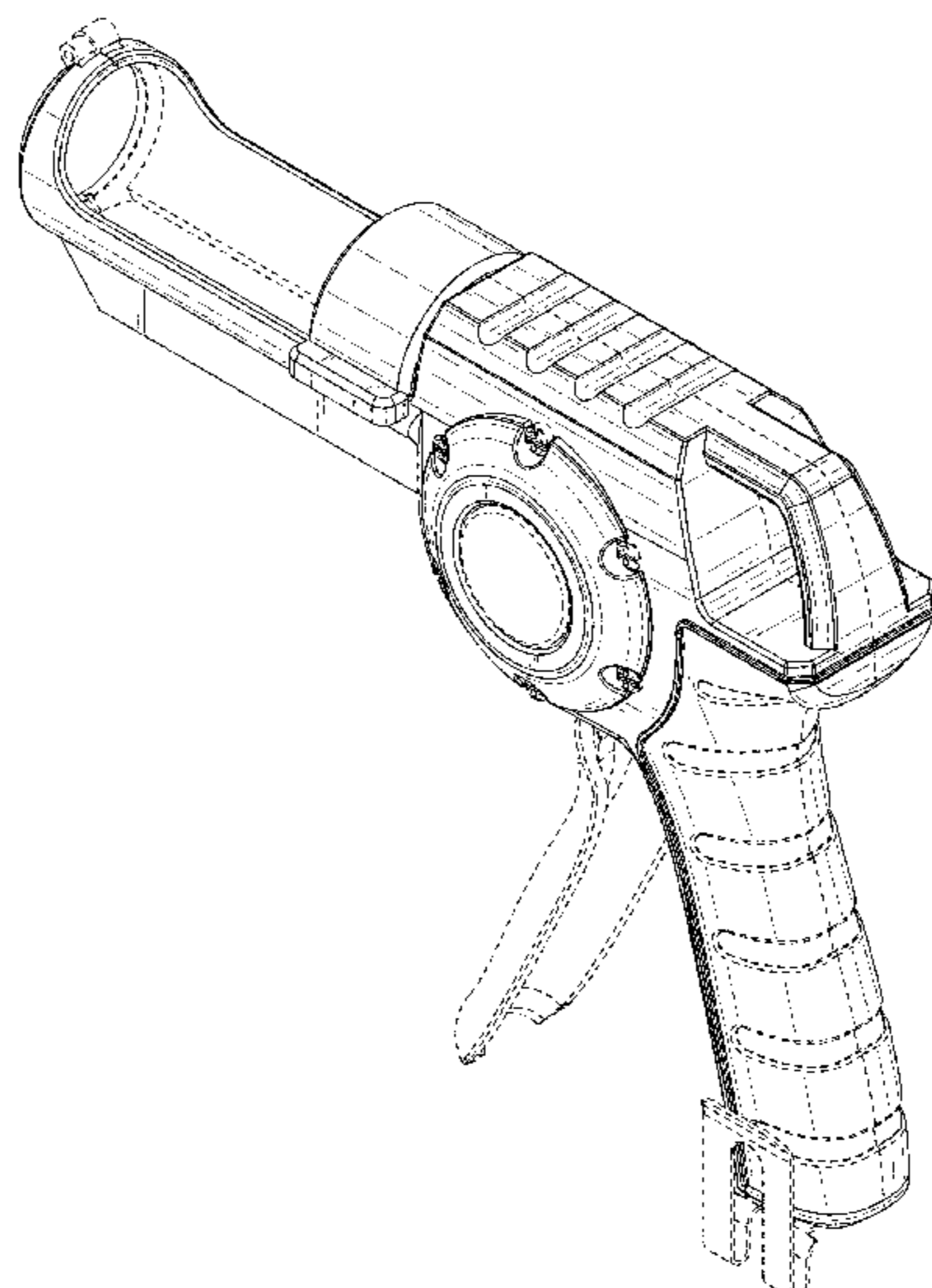
(57) **CLAIM**

The ornamental design for a glue gun, as shown and described.

**DESCRIPTION**

FIG. 1 is a perspective view of a glue gun showing my new design;  
FIG. 2 is a front elevation view thereof;  
FIG. 3 is a back elevation view thereof;  
FIG. 4 is a right side elevation view thereof;  
FIG. 5 is a left side elevation view thereof;  
FIG. 6 is a top elevation view thereof; and,  
FIG. 7 is a bottom elevation view thereof.  
The broken lines represent portions of the glue gun that form no part of the claimed design.

**1 Claim, 7 Drawing Sheets**



(56)

**References Cited**

U.S. PATENT DOCUMENTS

D655,621 S 3/2012 Py et al.  
D716,658 S 11/2014 Sillince  
D734,168 S 7/2015 Rajaiah et al.  
D745,742 S 12/2015 Betts  
D776,337 S 1/2017 Levin et al.  
D793,193 S \* 8/2017 Lee ..... D8/30  
D805,079 S 12/2017 Han et al.  
D810,197 S 2/2018 Parekh  
2017/0080449 A1\* 3/2017 Lee ..... B05C 17/0053  
2018/0169694 A1\* 6/2018 Baylis ..... B05C 17/00576

OTHER PUBLICATIONS

[No Author Listed], Heavy Duty Glue Gun—300 Watt. Uline.  
[https://www.uline.com/Product/Detail/H-1903/Glue-Guns-and-Glue-Sticks/Heavy-Duty-Glue-Gun-300-Watt?pricode=WA9057&gadtype=pla&id=H-1903&gclid=EA1aIQobChMIn87Ojc\\_Z1QIVg7fACh0mTwgWEAQYASABEgJ8RvD\\_BwE&gclidsrc=aw.ds](https://www.uline.com/Product/Detail/H-1903/Glue-Guns-and-Glue-Sticks/Heavy-Duty-Glue-Gun-300-Watt?pricode=WA9057&gadtype=pla&id=H-1903&gclid=EA1aIQobChMIn87Ojc_Z1QIVg7fACh0mTwgWEAQYASABEgJ8RvD_BwE&gclidsrc=aw.ds) [available as early as Feb. 9, 2014 via archive.org].  
U.S. Appl. No. 29/604,475, filed May 17, 2017, Baylis.  
U.S. Appl. No. 29/604,479, filed May 17, 2017, Baylis.

\* cited by examiner

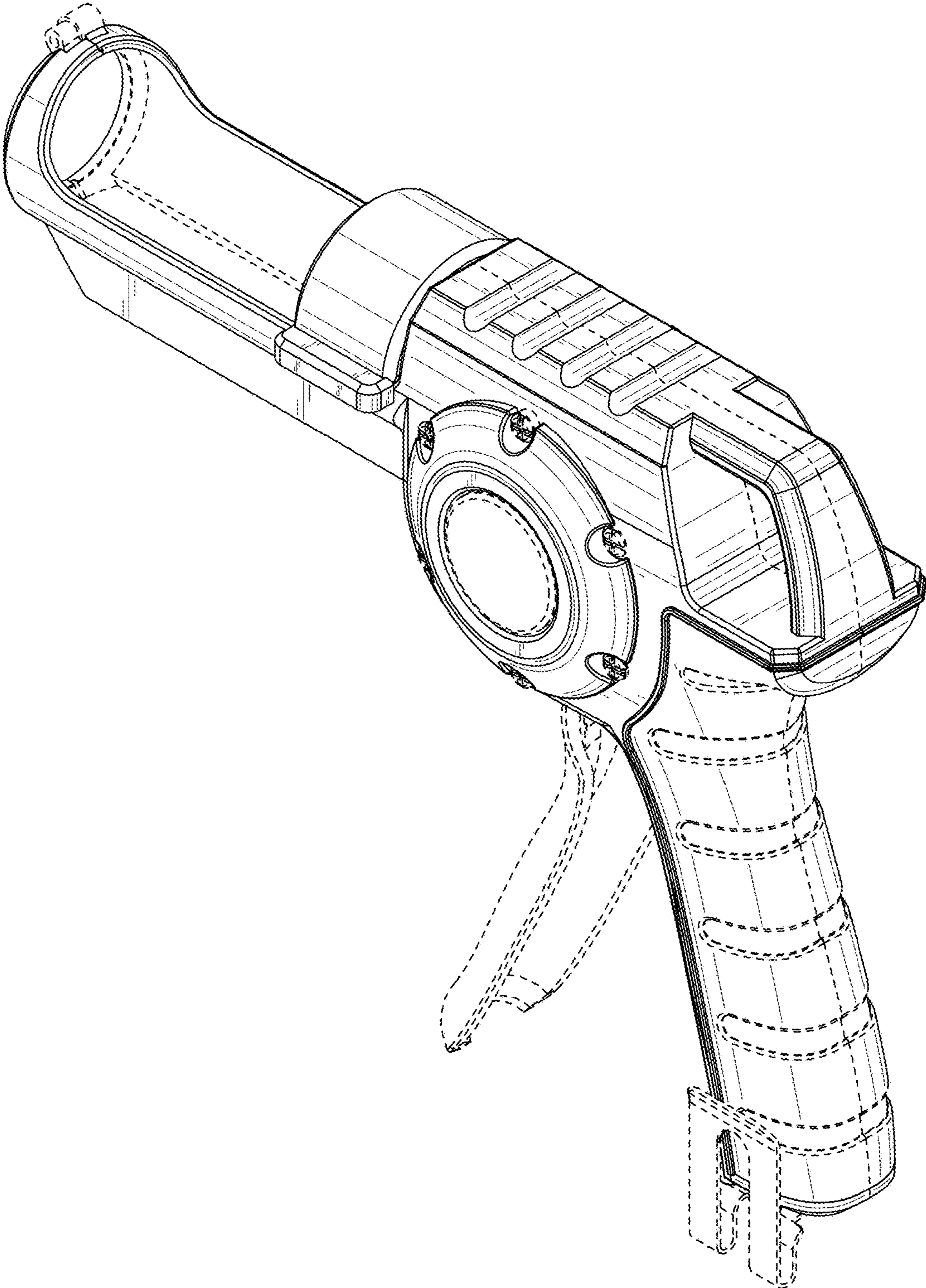


FIG. 1

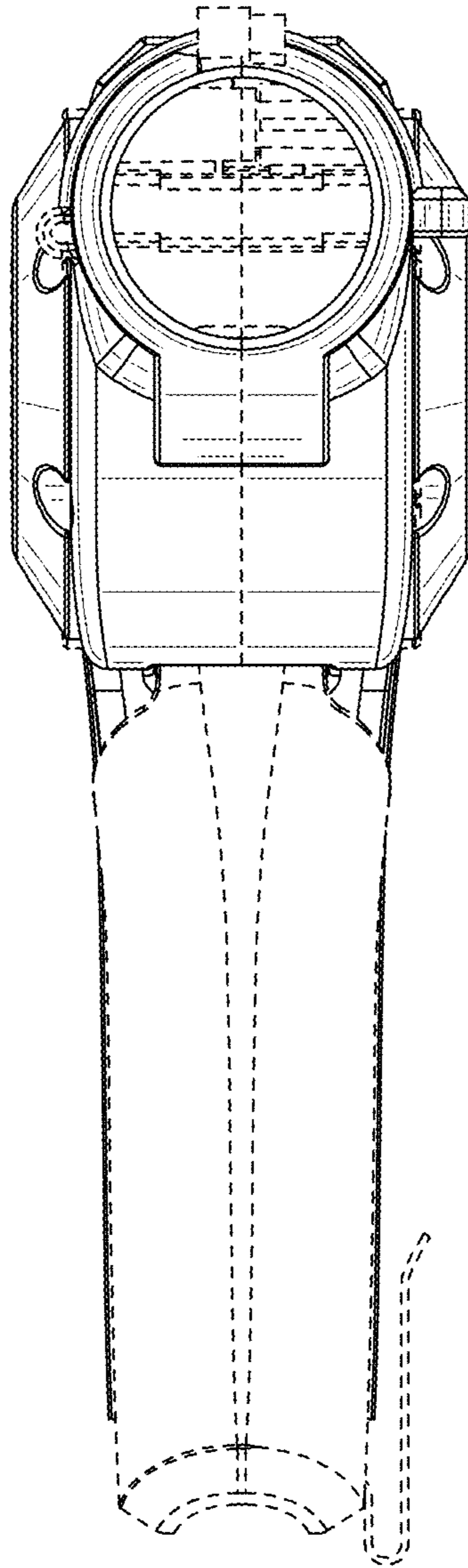


FIG. 2



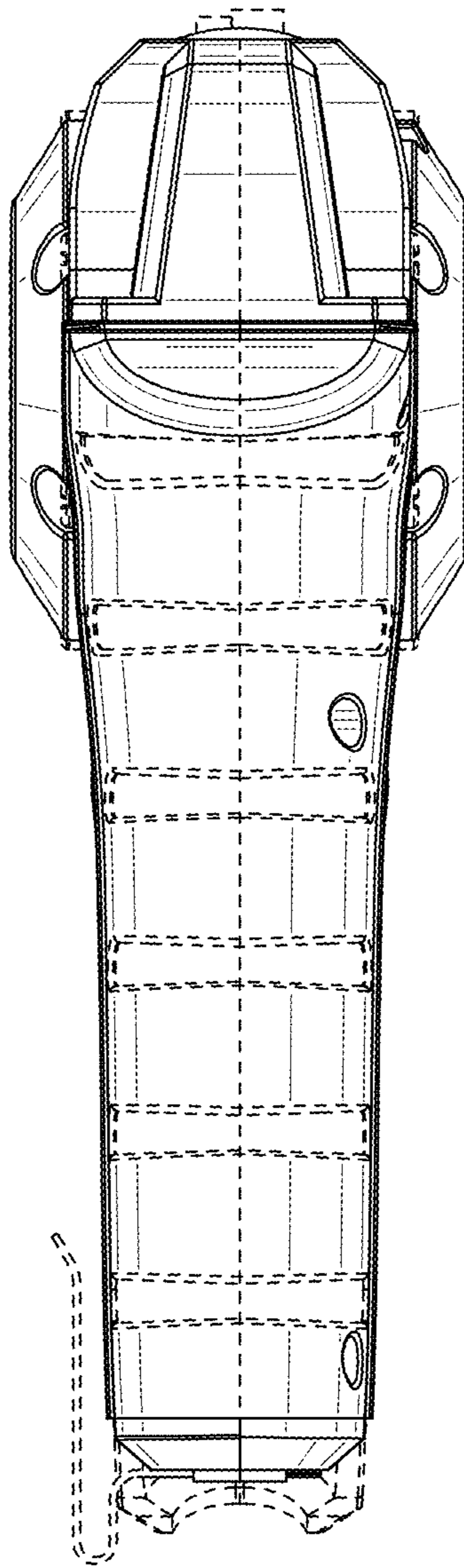


FIG. 3

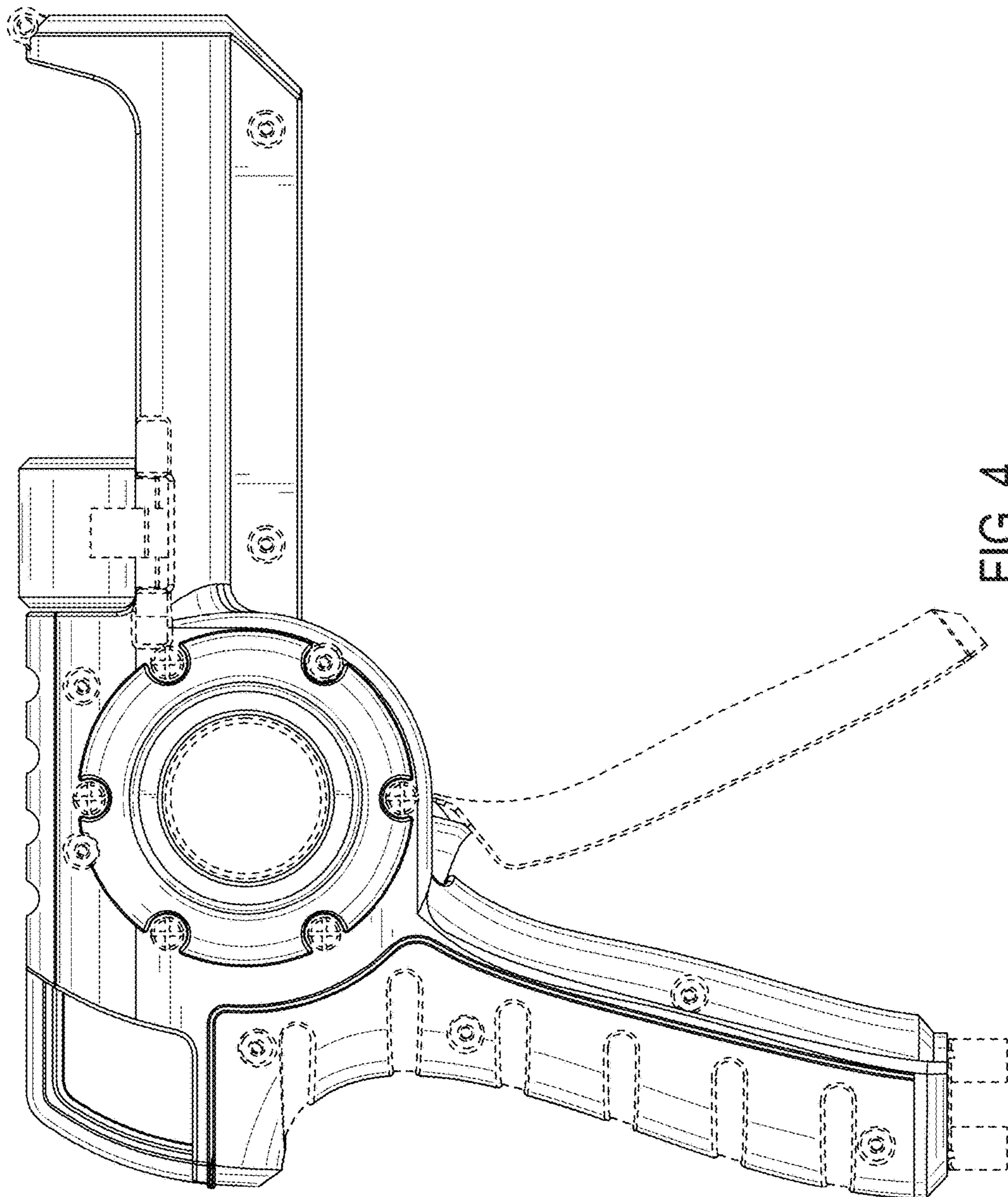


FIG. 4

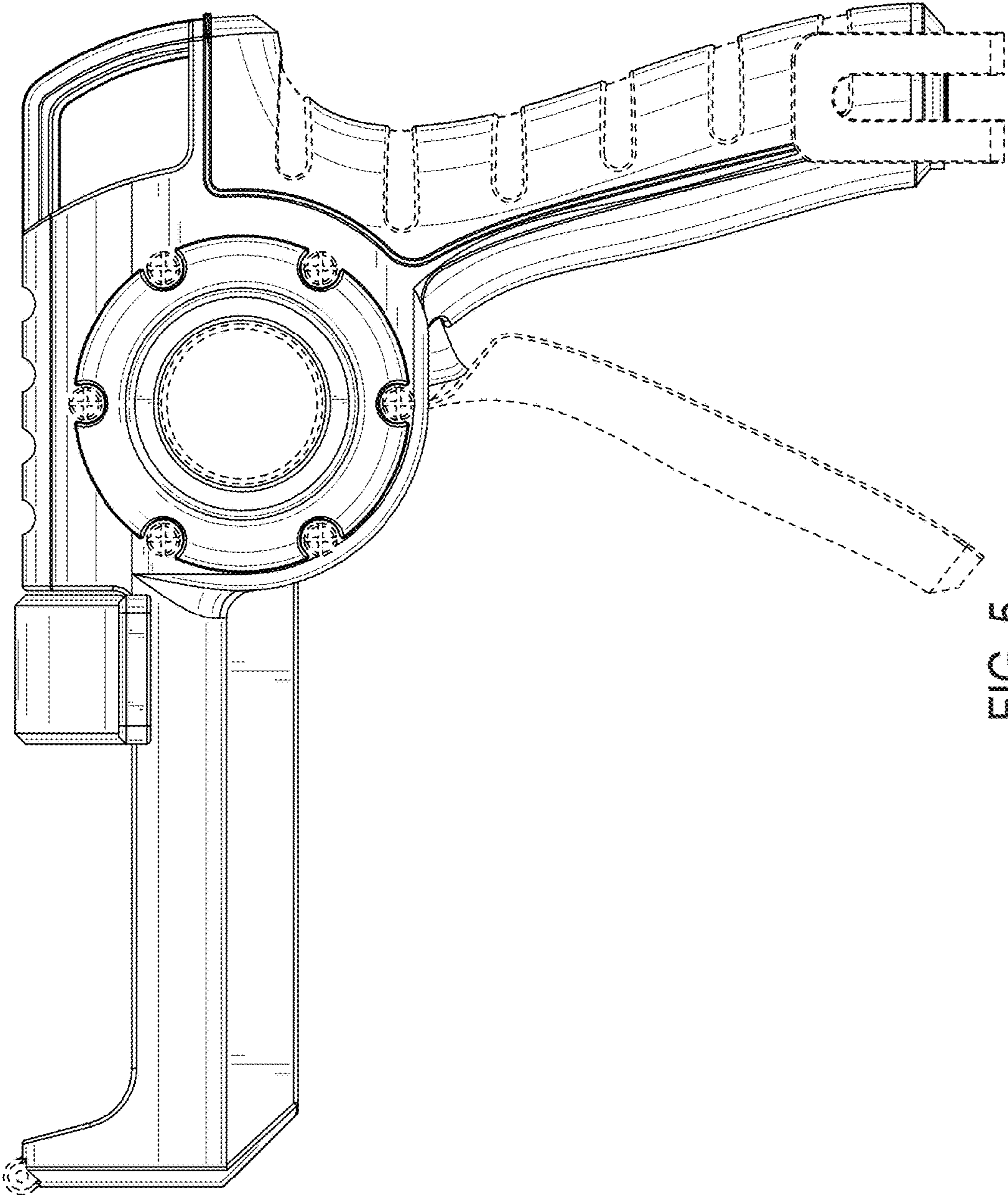


FIG. 5

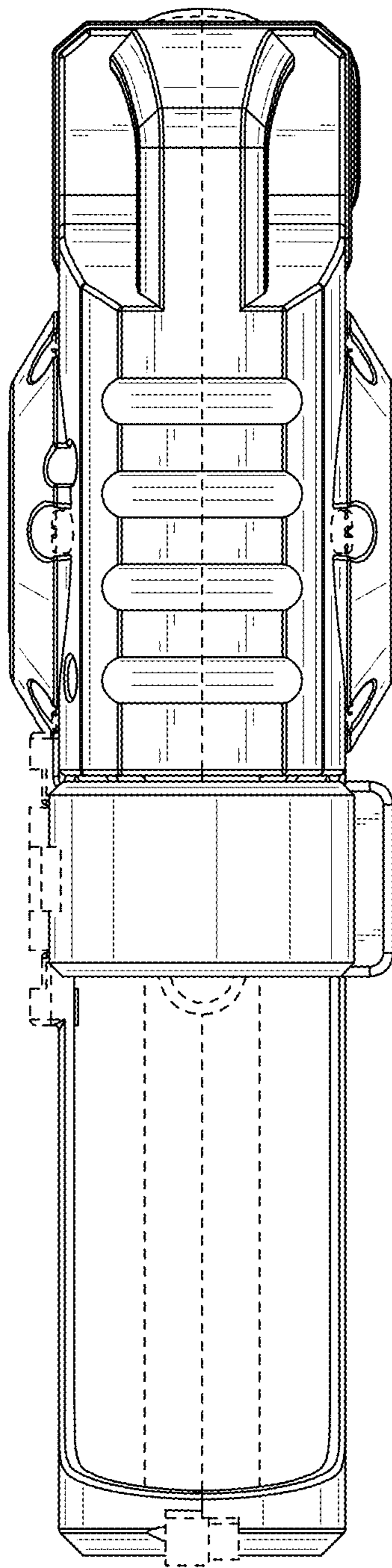


FIG. 6



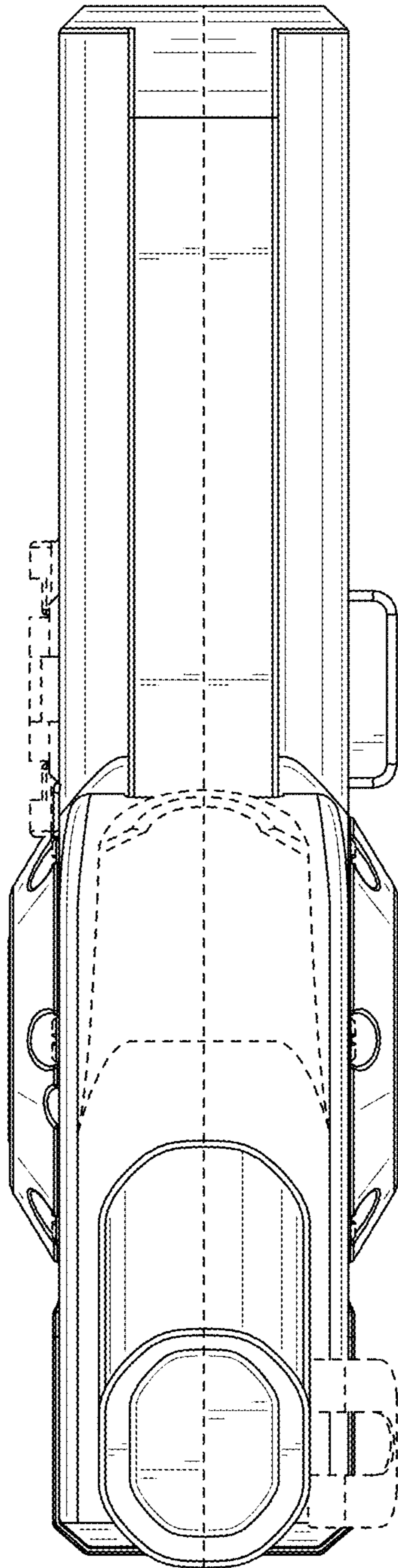


FIG. 7