



US00D837005S

(12) **United States Design Patent** (10) **Patent No.:** **US D837,005 S**
Klamm (45) **Date of Patent:** **** Jan. 1, 2019**

(54) **HAND GRIP WRENCH**

(71) Applicant: **Thomas Klamm**, Racine, WI (US)

(72) Inventor: **Thomas Klamm**, Racine, WI (US)

(**) Term: **15 Years**

(21) Appl. No.: **29/604,612**

(22) Filed: **May 18, 2017**

(51) **LOC (11) Cl.** **08-05**

(52) **U.S. Cl.**
USPC **D8/25**

(58) **Field of Classification Search**
USPC 81/58, 58.1, 59.1, 60, 61, 62, 63, 63.1,
81/63.2, 121.1, 125, 177.1, 177.2, 177.85,
81/180.1, 489; D8/25
CPC B25B 13/00; B25B 13/48; B25B 23/02;
B25B 23/10; B25G 1/10; B25G 1/00
See application file for complete search history.

(56) **References Cited**

U.S. PATENT DOCUMENTS

D371,298 S	*	7/1996	Reddy	D15/140
D657,214 S	*	4/2012	Chen	D8/25
D675,893 S	*	2/2013	Chen	D8/25
D718,586 S	*	12/2014	Jiang	D8/25
D771,453 S	*	11/2016	Liu	D8/25
D777,001 S	*	1/2017	Huang	D8/25

* cited by examiner

Primary Examiner — Randall H Gholson

(74) *Attorney, Agent, or Firm* — Quarles & Brady LLP

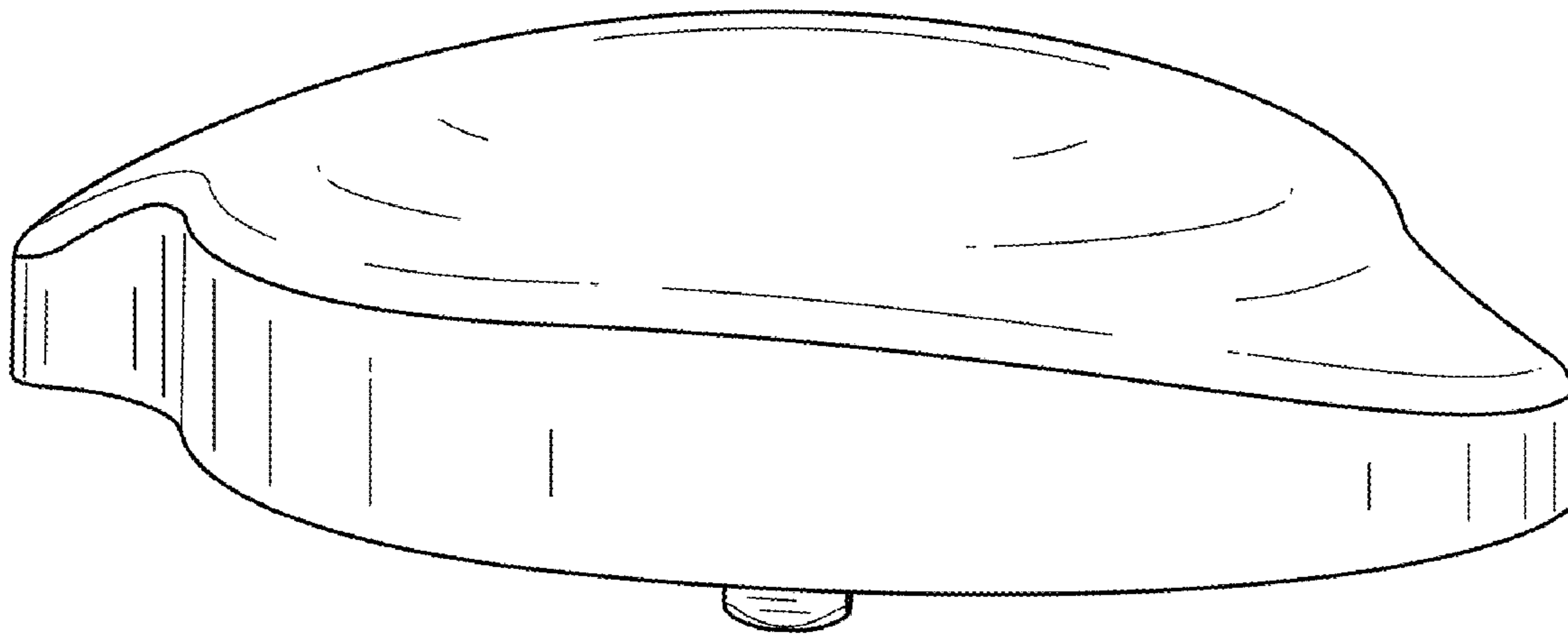
(57) **CLAIM**

The ornamental design for a hand grip wrench, as shown and described.

DESCRIPTION

FIG. 1 is a top, right, and front perspective view of an ornamental design for a hand grip wrench;
FIG. 2 is a top plan view of the hand grip wrench of FIG. 1;
FIG. 3 is a front elevational view of the hand grip wrench of FIG. 1;
FIG. 4 is a rear elevational view of the hand grip wrench of FIG. 1;
FIG. 5 is a right side elevational view of the hand grip wrench of FIG. 1;
FIG. 6 is a left side elevational view of the hand grip wrench of FIG. 1; and,
FIG. 7 is a bottom plan view of the hand grip wrench of FIG. 1.
The dash-dash broken lines are for the purpose of illustrating unclaimed subject matter only and form no part of the claimed design.

1 Claim, 4 Drawing Sheets



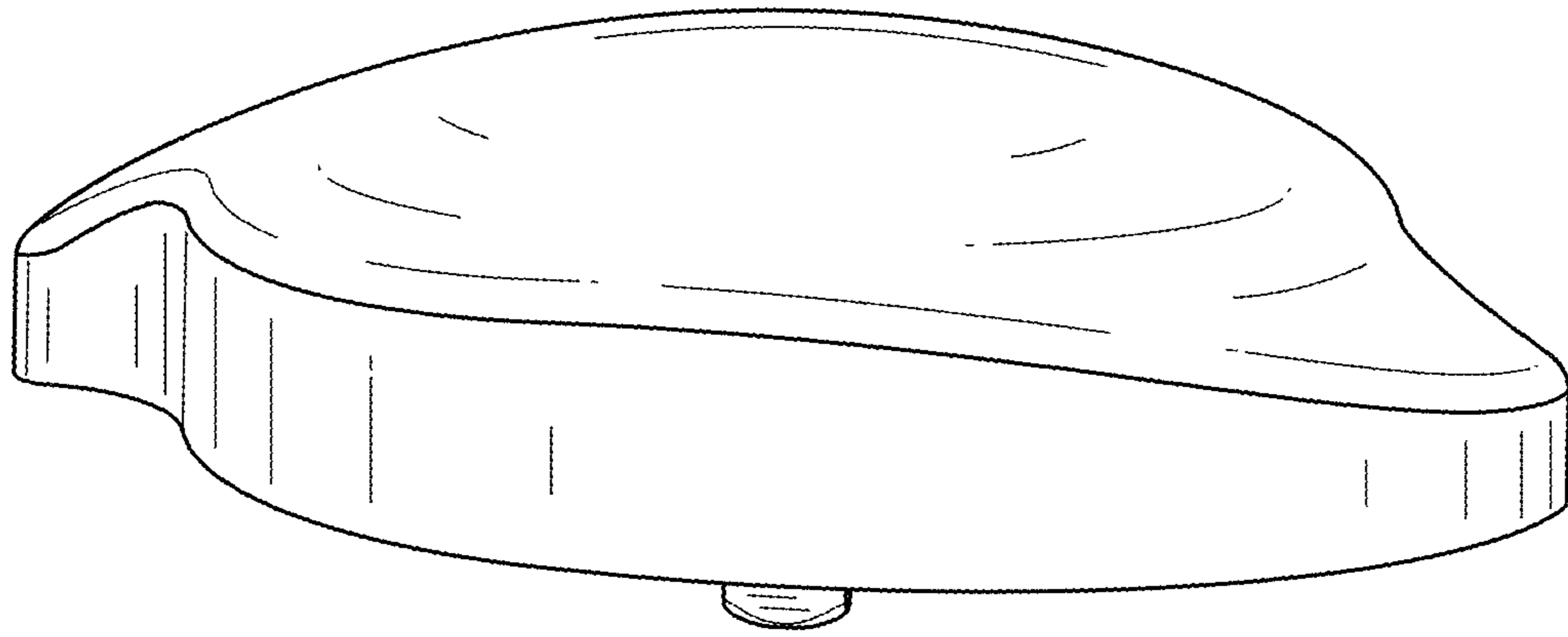


FIG. 1

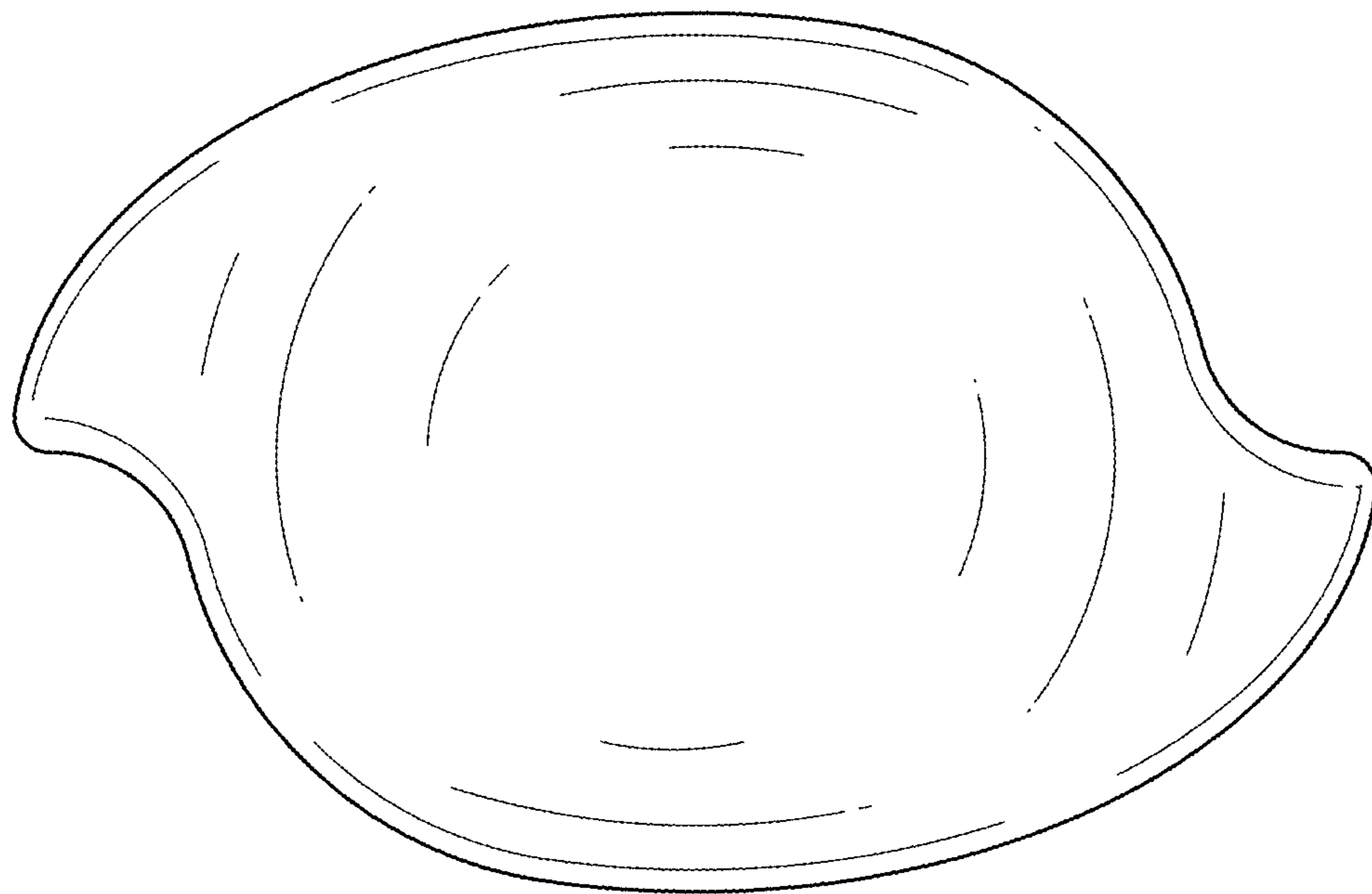


FIG. 2

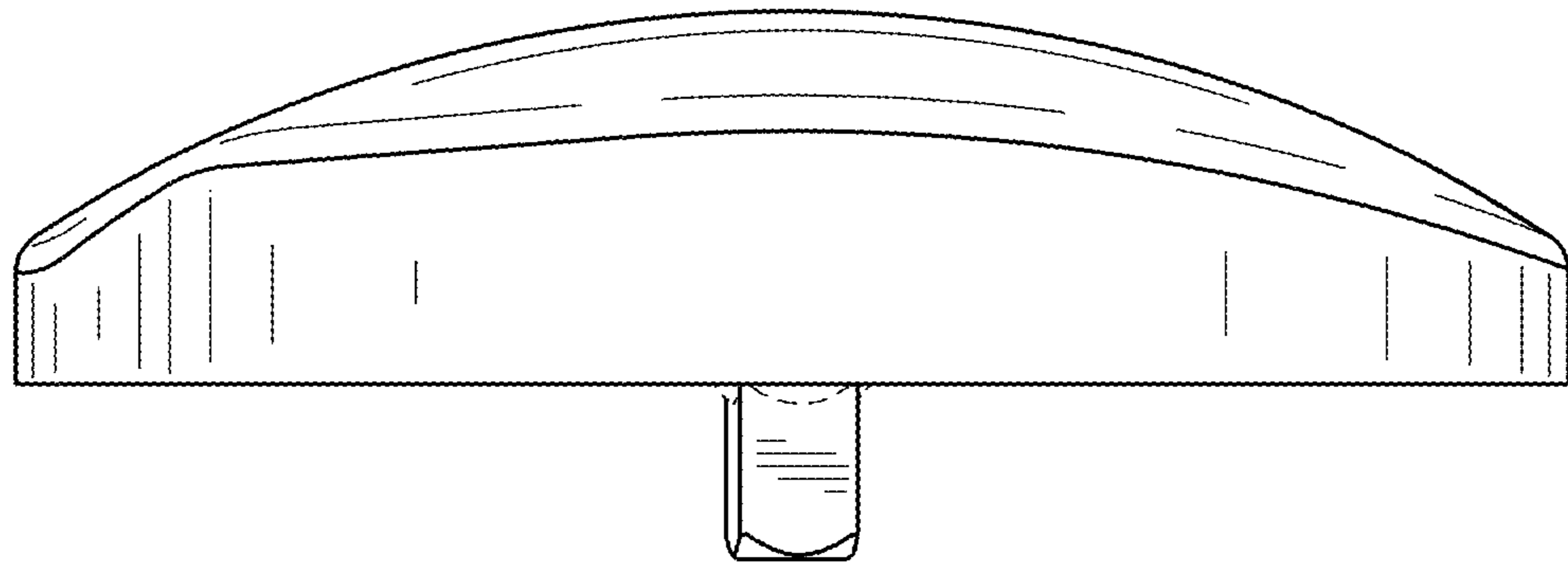


FIG. 3

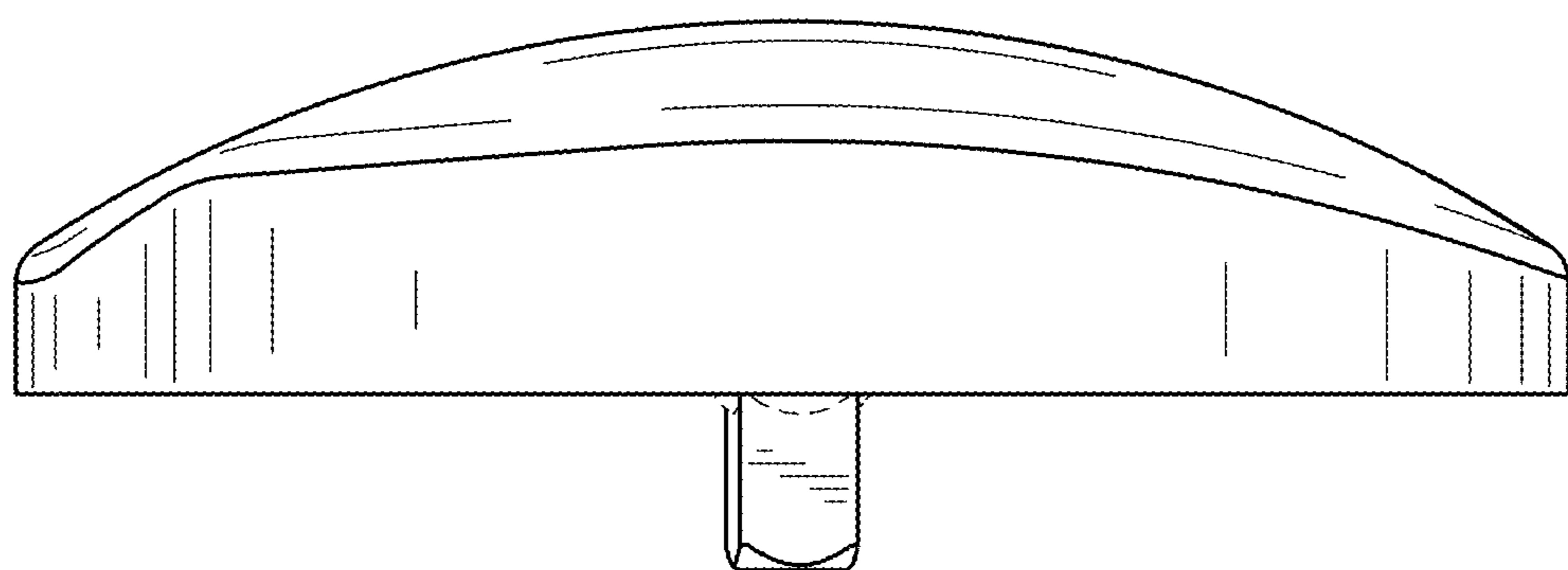


FIG. 4

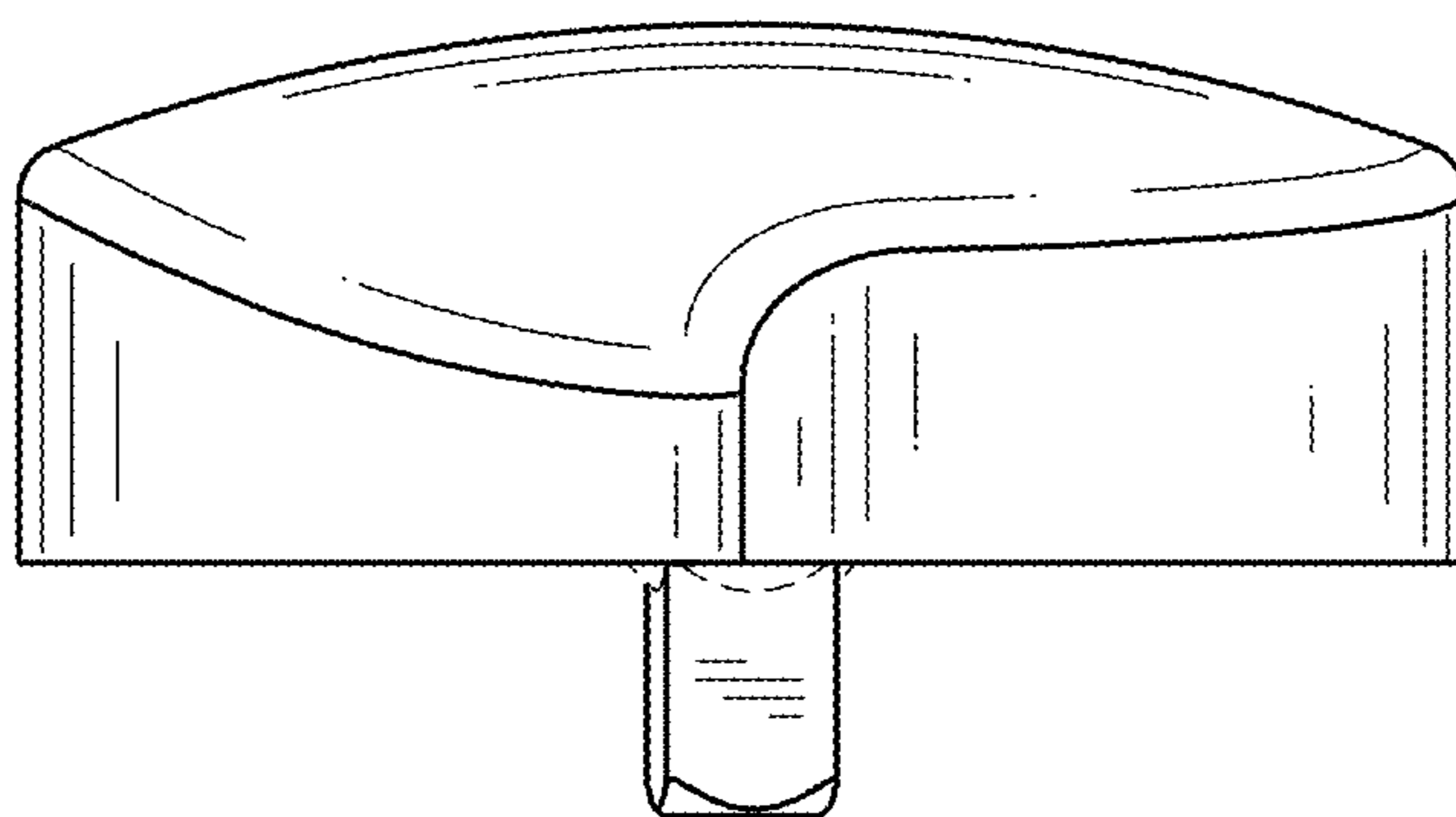


FIG. 5

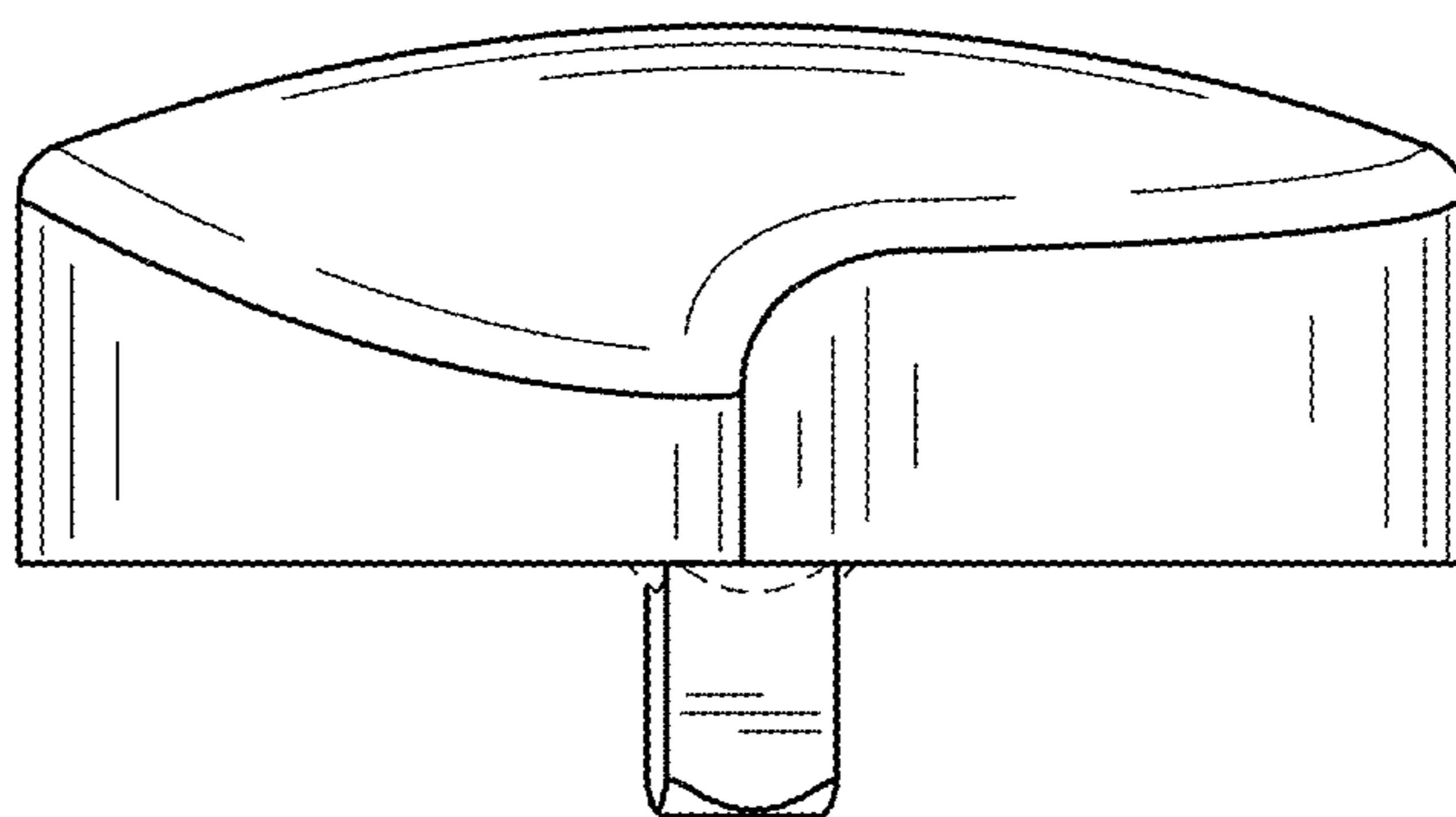


FIG. 6

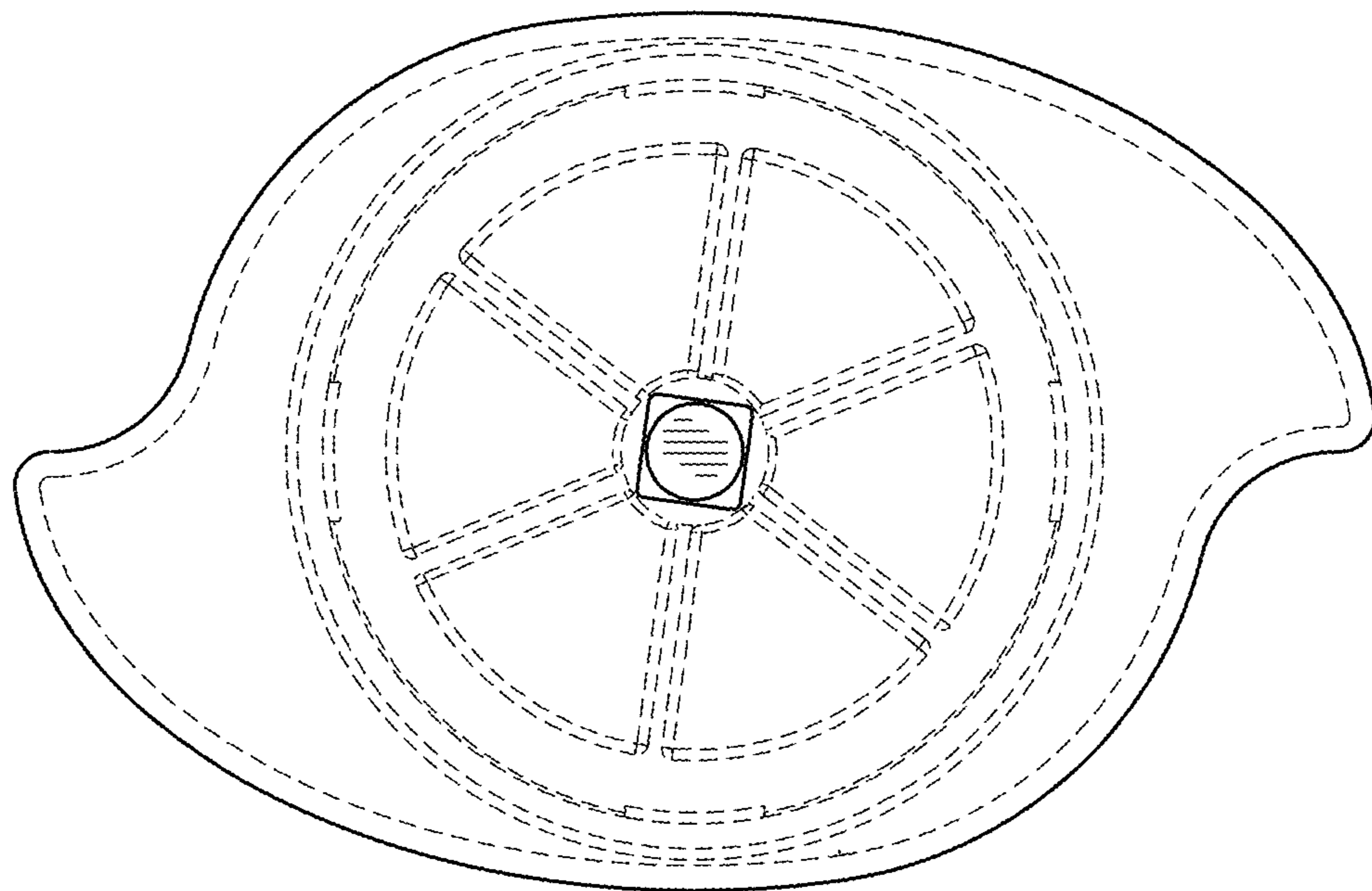


FIG. 7