

US00D836998S

(12) **United States Design Patent**
Jacobsen

(10) **Patent No.:** **US D836,998 S**
(45) **Date of Patent:** **** *Jan. 1, 2019**

(54) **COOLER**

(71) Applicant: **RTIC IP, LLC**, Houston, TX (US)

(72) Inventor: **James Matthew Jacobsen**, Houston, TX (US)

(73) Assignee: **RTIC IP, LLC**, Houston, TX (US)

(*) Notice: This patent is subject to a terminal disclaimer.

(**) Term: **15 Years**

(21) Appl. No.: **29/624,458**

(22) Filed: **Nov. 1, 2017**

(51) **LOC (11) Cl.** **07-01**

(52) **U.S. Cl.**
USPC **D7/607**

(58) **Field of Classification Search**
USPC D7/605, 607, 709, 710, 629; D3/283, D3/287, 289, 318
CPC F25D 2331/804; F25D 3/08; B65D 30/08; B65D 30/22; B65D 81/3858; B65D 81/3823; B65D 8/18; B65D 31/04; B65D 53/00; B65D 69/00; A45F 3/02; A45F 3/12; A45F 3/14; A45F 4/02; A45C 11/20; A45C 3/00; A45C 7/0068; A47J 47/145

See application file for complete search history.

(56) **References Cited**

U.S. PATENT DOCUMENTS

4,050,264 A * 9/1977 Tanaka F25D 3/08 62/371
4,537,313 A * 8/1985 Workman A47J 47/145 206/545

D289,597 S * 5/1987 Averitt D7/605
4,805,776 A * 2/1989 Namgyal A45C 3/00 206/523
D311,476 S * 10/1990 Kumakura D7/605
(Continued)

OTHER PUBLICATIONS

U.S. Appl. No. 29/616,797, filed Sep. 8, 2017, Jacobsen.
(Continued)

Primary Examiner — Freda S Nunn
(74) *Attorney, Agent, or Firm* — Fish & Richardson P.C.

(57) **CLAIM**

The ornamental design for a cooler, as shown and described.

DESCRIPTION

FIG. 1 is a perspective view of a cooler showing my new design in the closed position.

FIG. 2 is a top view of the cooler in a closed position.

FIG. 3 is a bottom view of the cooler in a closed position.

FIG. 4 is a front view of a the cooler in a closed position.

FIG. 5 is a rear view of the cooler in a closed position.

FIG. 6 is a right side view of the cooler in a closed position.

FIG. 7 is a left side view of the cooler in a closed position; and,

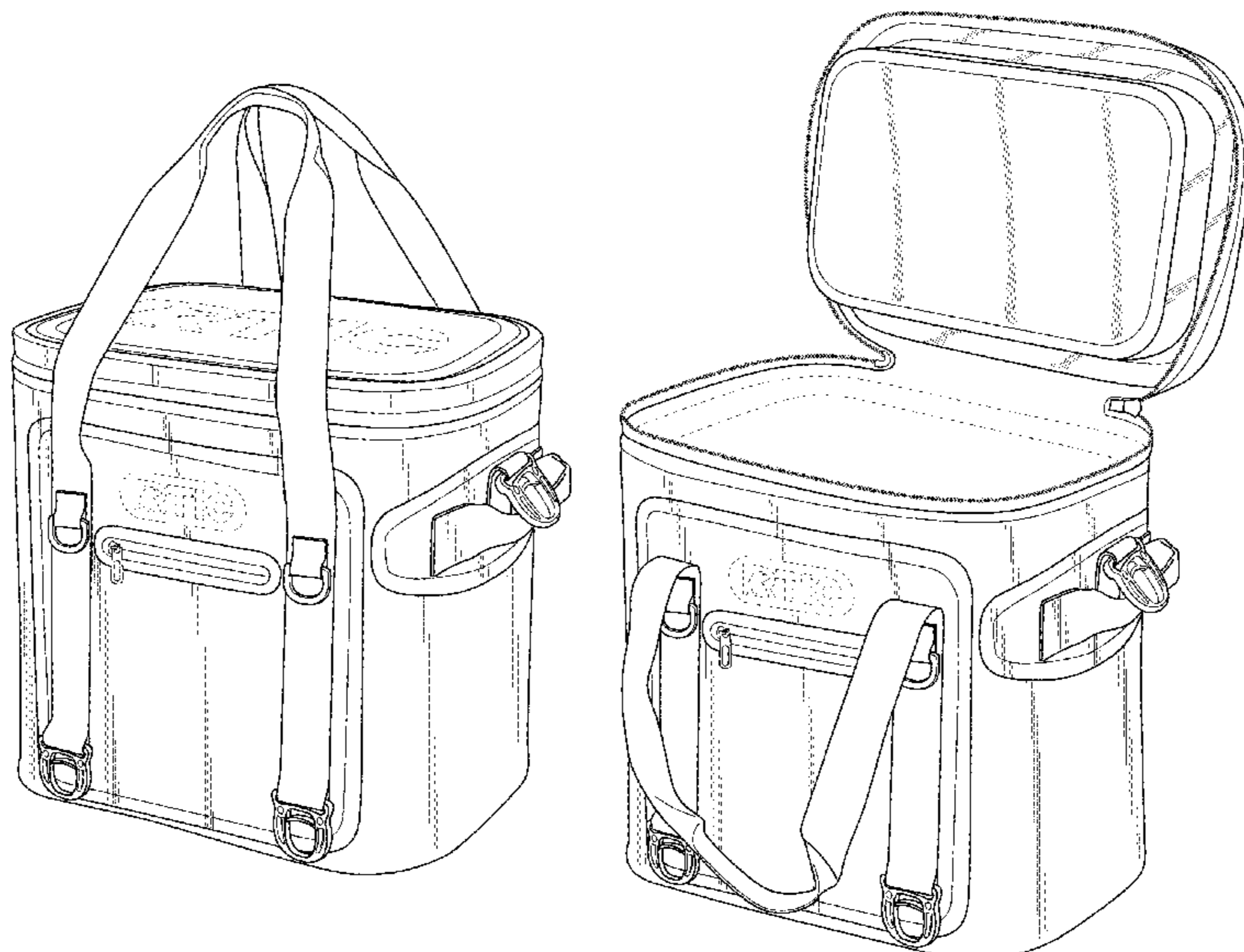
FIG. 8 is a perspective view of the cooler in the opened position.

The inside of the lower body portion of the cooler is unclaimed, surface shading and contour lines in the drawings represent the contours and do not illustrate material, surface ornamentation, or surface decoration and the broken lines shown in the drawings form no part of the claimed design.

The surface shading and contour lines in the drawings is a drawing convention to represent character and contour; it does not illustrate material, surface ornamentations, or surface decoration and forms no part of the claimed design.

The dashed broken lines in the drawings are for environmental structure and form no part of the claimed design.

1 Claim, 4 Drawing Sheets



(56)

References Cited

U.S. PATENT DOCUMENTS

D340,840	S *	11/1993	Melk	D3/283
5,329,787	A	7/1994	Friday		
5,421,172	A	6/1995	Jones		
D371,942	S *	7/1996	Lippincott	D7/607
D387,626	S *	12/1997	Melk	D7/605
7,162,890	B2 *	1/2007	Mogil	A45C 11/20 62/457.7
D575,059	S	8/2008	Cappeillo et al.		
7,730,739	B2 *	6/2010	Fuchs	A45C 11/20 62/457.7
8,327,659	B2	12/2012	Winkler et al.		
D732,348	S	6/2015	Seiders et al.		
D732,349	S	6/2015	Seiders et al.		
D732,350	S	6/2015	Seiders et al.		
D732,899	S	6/2015	Seiders et al.		
9,139,352	B2	9/2015	Seiders et al.		
D752,347	S	3/2016	Seiders et al.		
D768,378	S *	10/2016	Schilp	D3/232
9,491,994	B2 *	11/2016	Sherr	A45C 7/0068
D786,559	S	5/2017	Seiders et al.		
D786,560	S	5/2017	Seiders et al.		
D786,561	S	5/2017	Seiders et al.		
D786,562	S	5/2017	Seiders et al.		
D787,187	S	5/2017	Seiders et al.		
D797,454	S	9/2017	Seiders et al.		
D797,455	S	9/2017	Seiders et al.		
D798,670	S	10/2017	Seiders et al.		
D799,276	S	10/2017	Seiders et al.		
D799,277	S	10/2017	Seiders et al.		
D800,444	S *	10/2017	Burton	D3/203.1
D801,123	S	10/2017	Seiders et al.		
D802,373	S	11/2017	Seiders et al.		
D814,879	S	4/2018	Larson et al.		

OTHER PUBLICATIONS

U.S. Appl. No. 29/617,847, filed Sep. 15, 2017, Jacobsen.
 U.S. Appl. No. 29/624,455, filed Nov. 1, 2017, Jacobsen.
 ‘4imprint.com’ [online]. “Arctic Zone 18-Can Workman’s Pro Cooler,” published on or before Sep. 7, 2017, Retrieved from the Internet: URL<https://www.4imprint.com/product/123559?gclid=EAIaIQobChMl0pyp1-301gIVWbbACh31AQYaEakYCCABEGlH_PD_BwE&gfeed=1&mkid=1pla123559&ef_id=WBJIgwAABdq@EZ0U:20171016094453:s>. 2 pages.
 ‘amazon.com’ [online]. “Arctic Zone Pro 30 (24+6) Can Zipperless Cooler,” published on or before Sep. 7, 2017, Retrieved from the Internet: URL<https://www.amazon.com/Arctic-Zone-Pro-Zipperless-Cooler/dp/B00L2KV718/ref=sr_1_80?ie=UTF8&qid=1508149767&sr=8-80&keywords=soft+cooler>. 9 pages.
 ‘amazon.com’ [online]. “Buzio 36-Can Portable Soft Cooler (Keeps Ice up to 3 Days!) for Boating, Camping, Hiking, Gray,” published on or before Sep. 7, 2017, Retrieved from the Internet: URL<https://www.amazon.com/36-Can-Portable-Cooler-Boating-Camping/dp/B073ZWLKHC/ref=sr_1_194_sspa?ie=UTF8&qid=1508149853&sr=8-194-spons&keywords=soft+cooler&psc=1>. 5 pages.
 ‘amazon.com’ [online]. “CleverMade SnapBasket 50 Can, Soft-Sided Collapsible Cooler: 30 Liter Insulated Tote Bag, Heathered Charcoal/Black,” published on or before Sep. 7, 2017, Retrieved from the Internet: URL<https://www.amazon.com/CleverMade-SnapBasket-Soft-Sided-Collapsible-Cooler/dp/B01KPW8ZEK/ref=sr_1_7?s=sporting-goods&ie=UTF8&qid=1508147864&sr=1-7&keywords=soft+sided+cooler>. 8 pages.
 ‘amazon.com’ [online]. “Homitt 30 Cans Soft Pack Cooler Insulated Soft Sided Cooler with Hard Liner and Heavy Duty Waterproof TPU Material for Taking Lunch, Camping, Sea Fishing, Daily Trip to Beach, Family Picnic, etc.” published on or before Sep. 7, 2017, Retrieved from the Internet: URL<https://www.amazon.com/Homitt-Insulated-Waterproof-Material-Camping/dp/B06ZZ36L69/ref=sr_1_21?s=sporting-goods&ie=UTF8&qid=1508147889&sr=1-21&keywords=soft+sided+cooler>. 10 pages.

‘amazon.com’ [online]. “Nelson-Rigg RG-006 Black Mountable Insulated Cooler Bag, 12 Pack,” published on or before Sep. 7, 2017, Retrieved from the Internet: URL<https://www.amazon.com/Nelson-Rigg-RG-006-Mountable-Insulated-Cooler/dp/B018AXNLYU/ref=sr_1_286?ie=UTF8&qid=1508150124&sr=8-286&keywords=soft+cooler>. 7 pages.
 ‘amazon.com’ [online]. “Polar Bear Coolers Nylon Series Soft Cooler Tote Size 12 Pack Green & Fit & Fresh Cool Coolers Slim Ice 4-Pack (Bundle),” published on or before Sep. 7, 2017, Retrieved from the Internet: URL<https://www.amazon.com/Polar-Bear-Coolers-Fit-Fresh/dp/B071X7K1CB/ref=sr_1_287?ie=UTF8&qid=1508150124&sr=8-287&keywords=soft+cooler>. 5 pages.
 ‘amazon.com’ [online]. “Silver Lake Cooler Bag (24 can S, Grey / Yellow)” published on or before Sep. 7, 2017, Retrieved from the Internet: URL<https://www.amazon.com/Silver-Lake-Cooler-Grey-Yellow/dp/B01N5PUKIP/ref=sr_1_87?s=sporting-goods&ie=UTF8&qid=1508147936&sr=1-87&keywords=soft+sided+cooler>. 6 pages.
 ‘amazon.com’ [online]. “Simple Modern 20 Liter Weekender Soft Cooler Bag—Caribbean Blue,” published on or before Sep. 7, 2017, Retrieved from the Internet: URL<https://www.amazon.com/Simple-Modern-Liter-Weekender-Cooler/dp/B073RYLC8X/ref=sr_1_55_sspa?s=sporting-goods&ie=UTF8&qid=1508147905&sr=1-55-spons&keywords=soft+sided+cooler&psc=1>. 8 pages.
 ‘cabelas.com’ [online] “Cabela’s 30-Can Soft-Sided Coolers,” published on or before Sep. 7, 2017, Retrieved from the Internet: URL<<http://www.cabelas.com/product/Cabelas-Soft-Sided-Can-Cooler/2249004.uts>>. 1 page.
 ‘calcuttaoutdoors.com’ [online]. “Renegade Cooler—30L—Coolers—GEAR | Calcutta Outdoors,” published on or before Sep. 7, 2017, Retrieved from the Internet: URL<<http://www.calcuttaoutdoors.com/gear/coolers/renegade-cooler-30l.html>>. 3 pages.
 ‘campersaver.com’ [online]. “Browse Bison Coolers SoftPak 550100 +New Product,” published on or before Sep. 7, 2017, Retrieved from the Internet: URL<https://www.camp saver.com/bison-coolers-softpak.html?gclid=EAIaIQobChMIgY_Ew-301gIVUbjACHlXHAM5EakYDiABEGK57fD_BwE>. 3 pages.
 ‘campingworld.com’ [online]. “Caribou Soft-Sided Cooler—Camco 51913,” published on or before Sep. 7, 2017, Retrieved from the Internet: URL<<http://www.campingworld.com/shopping/item/caribou-soft-sided-cooler/96698>>. 2 pages.
 ‘engelcoolers.com’ [online]. “32Qt Waterproof Soft Sided Bag,” published on or before Sep. 7, 2017, Retrieved from the Internet: URL<<https://www.engelcoolers.com/engel-32qt-orange-waterproof-softsided.html>>. 5 pages.
 ‘filson.com’ [online]. “Soft-Sided Lunch Cooler | Filson,” published on or before Sep. 7, 2017, Retrieved from the Internet: URL<<https://www.filson.com/soft-sided-lunch-cooler-11070448.html>>. 2 pages.
 ‘frontgate.com’ [online]. “Sovaro Luxury Soft Sided Cooler,” published on or before Sep. 7, 2017, Retrieved from the Internet: URL<https://www.frontgate.com/sovaro-luxury-soft-sided-cooler/1086248?SourceCode=ZZ51120&cm_mmc=Comparison+Shopping--Google+Product+Listings--_Na-_NA&intlShippingCtx=US%7CUSD&CATARGETID=120245420002200553&cadevice=c&gclid=EAIaIQobChMIgY_Ew-301gIVUbjACHlXHAM5EakYAyABEGJKWPD_BwE>. 3 pages.
 ‘grizzlycoolers.com’ [online]. “Grizzly Drifter 20—Grizzly Coolers,” published on or before Sep. 7, 2017, Retrieved from the Internet: URL<<https://www.grizzlycoolers.com/grizzly-drifter-20>>. 6 pages.
 ‘igloocoolers.com’ [online]. “Igloo Coolers | Daytripper Tote Insulated Cooler Bag—Gray/Warm Red,” published on or before Sep. 7, 2017, Retrieved from the Internet: URL<<https://www.igloocoolers.com/products/61980-daytripper-tote-insulated-cooler-bag-gray>>. 3 pages.
 ‘igloocoolers.com’ [online]. “Igloo Coolers | Marine Ultra 24-Can Square Cooler Bag—White/Black,” published on or before Sep. 7, 2017, Retrieved from the Internet: URL<<https://www.igloocoolers.com/products/57176-marine-ultra-24-can-square-cooler-bag-white>>. 3 pages.
 ‘pelican.com’ [online]. “SC12 Cooler—Soft Cooler | 12 Can Soft Cooler | Pelican Consumer,” published on or before Sep. 7, 2017,

(56)

References Cited

OTHER PUBLICATIONS

Retrieved from the Internet: URL<<http://www.pelican.com/us/en/product/outdoor-heavy-duty-coolers/soft-cooler/12-can-soft-cooler/SC12/>>. 2 pages.

'pelican.com' [online]. "SC24 Cooler—Soft Cooler | 24 Can Soft Cooler | Pelican Consumer," published on or before Sep. 7, 2017, Retrieved from the Internet: URL<<http://www.pelican.com/us/en/product/outdoor-heavy-duty-coolers/soft-cooler/24-can-soft-cooler/SC24/>>. 2 pages.

'polarbearcoolers.com' [online]. "24 Pack Eclipse Cooler," published on or before Sep. 7, 2017, Retrieved from the Internet: URL<<http://www.polarbearcoolers.com/product/PB327.html>>. 7 pages.

'sovaro.com' [online]. "Sovaro 18 in Soft-Sided Cooler Grey—Soft-Sided Coolers," published on or before Sep. 7, 2017, Retrieved from the Internet: URL<<https://www.sovaro.com/coolers/soft-sided-coolers/18-soft-sided-coolers-grey.html>>. 4 pages.

'walmart.com' [online]. "Ozark Trail Premium Jumbo Tote," published on or before Sep. 7, 2017, Retrieved from the Internet: URL<<https://www.walmart.com/ip/Ozark-Trail-Premium-Jumbo-Tote/188204328>>. 13 pages.

'walmart.com' [online]. "Ozark Trail Premium Jumbo Tote," published on or before Sep. 7, 2017, Retrieved from the Internet: URL<<https://www.walmart.com/ip/Ozark-Trail-Premium-Jumbo-Tote/188204328>>. 6 pages.

'walmart.com' [online]. "Penguin Premium 36-Can Cooler," published on or before Sep. 7, 2017, Retrieved from the Internet: URL<<https://www.walmart.com/ip/Penguin-Premium-36-Can-Cooler/55272100?wmlspartner=wlp&selectedSellerId=0&adid=2222222227071737942&wmlspartner=wmtlabs&w10=&w11=g&w12=c&w13=181773314823&w14=pla-287159641595&w15=9031293&w16=&w17=&w18=&w19=pla&w110=8175035&w111=online&w112=55272100&w113=&veh=sem>>. 5 pages.

'yeti.com' [online]. "YETI | Hopper Flip 12 Personal Cooler," published on or before Sep. 7, 2017, Retrieved from the Internet: URL<<http://yeti.com/hopper-flip-12-cooler>>. 4 pages.

'yeti.com' [online]. "YETI | Hopper Flip 8 Personal Cooler," published on or before Sep. 7, 2017, Retrieved from the Internet: URL<<http://yeti.com/hopper-flip-8-cooler>>. 3 pages.

20 qt Soft-Pack, RTIC IP, LLC, first disclosed on Mar. 1, 2016, 7 pages.

30 qt Soft-Pack, RTIC IP, LLC, first disclosed on Mar. 1, 2016 7 pages.

40 qt Soft-Pack, RTIC IP, LLC, first disclosed on Mar. 1, 2016, 7 pages.

* cited by examiner

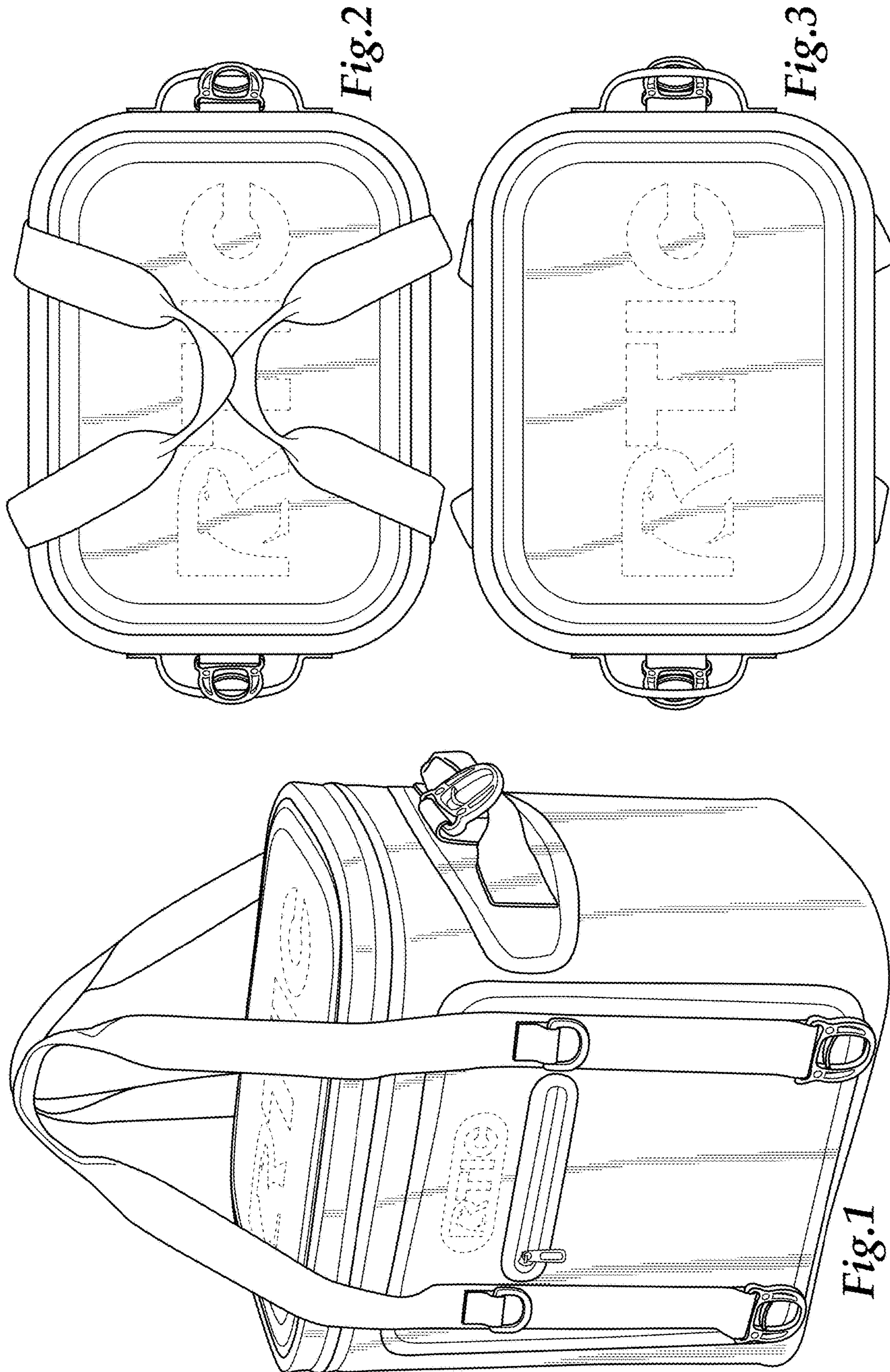


Fig.2

Fig.3

Fig.1

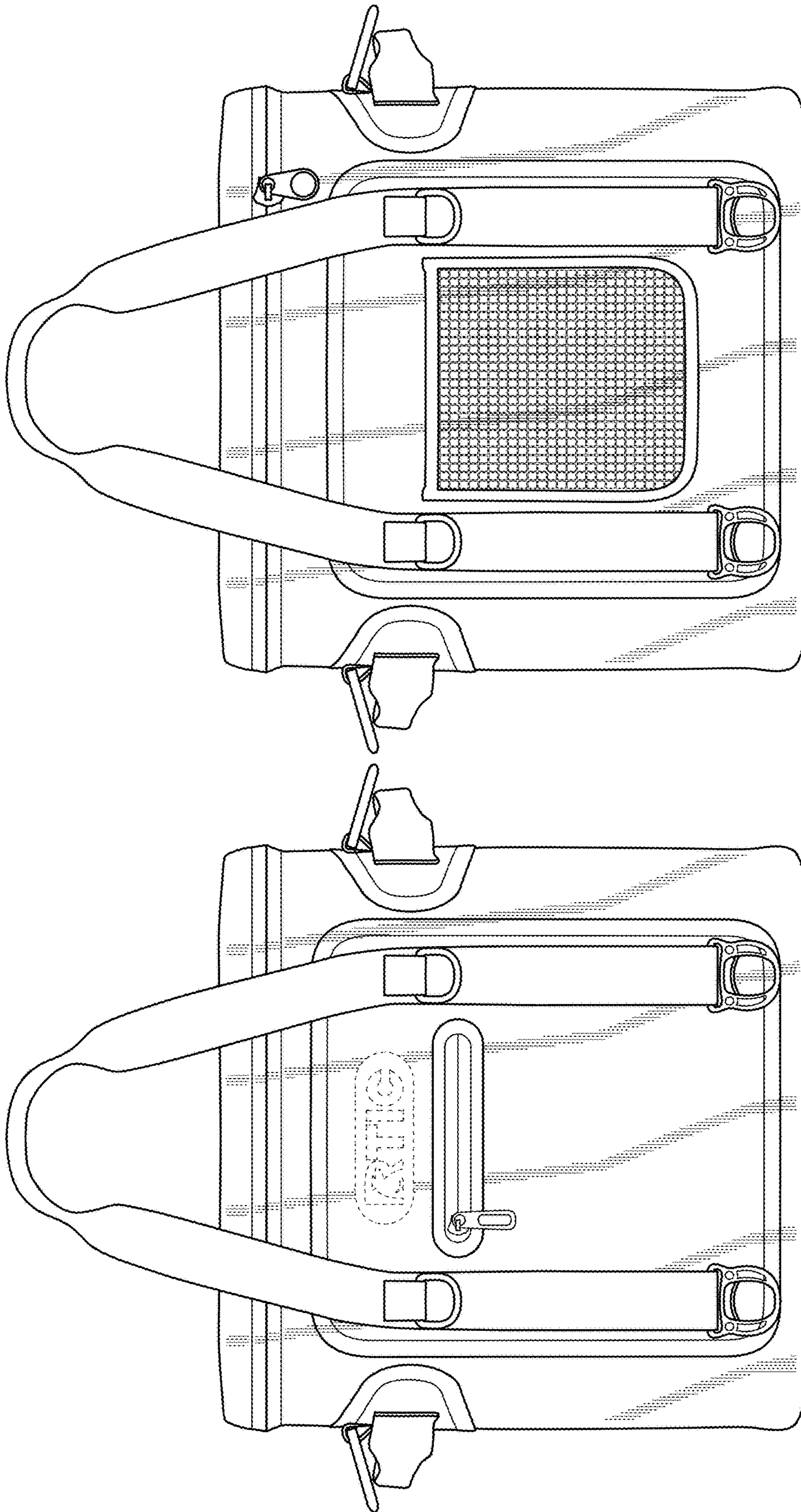


Fig.5

Fig.4

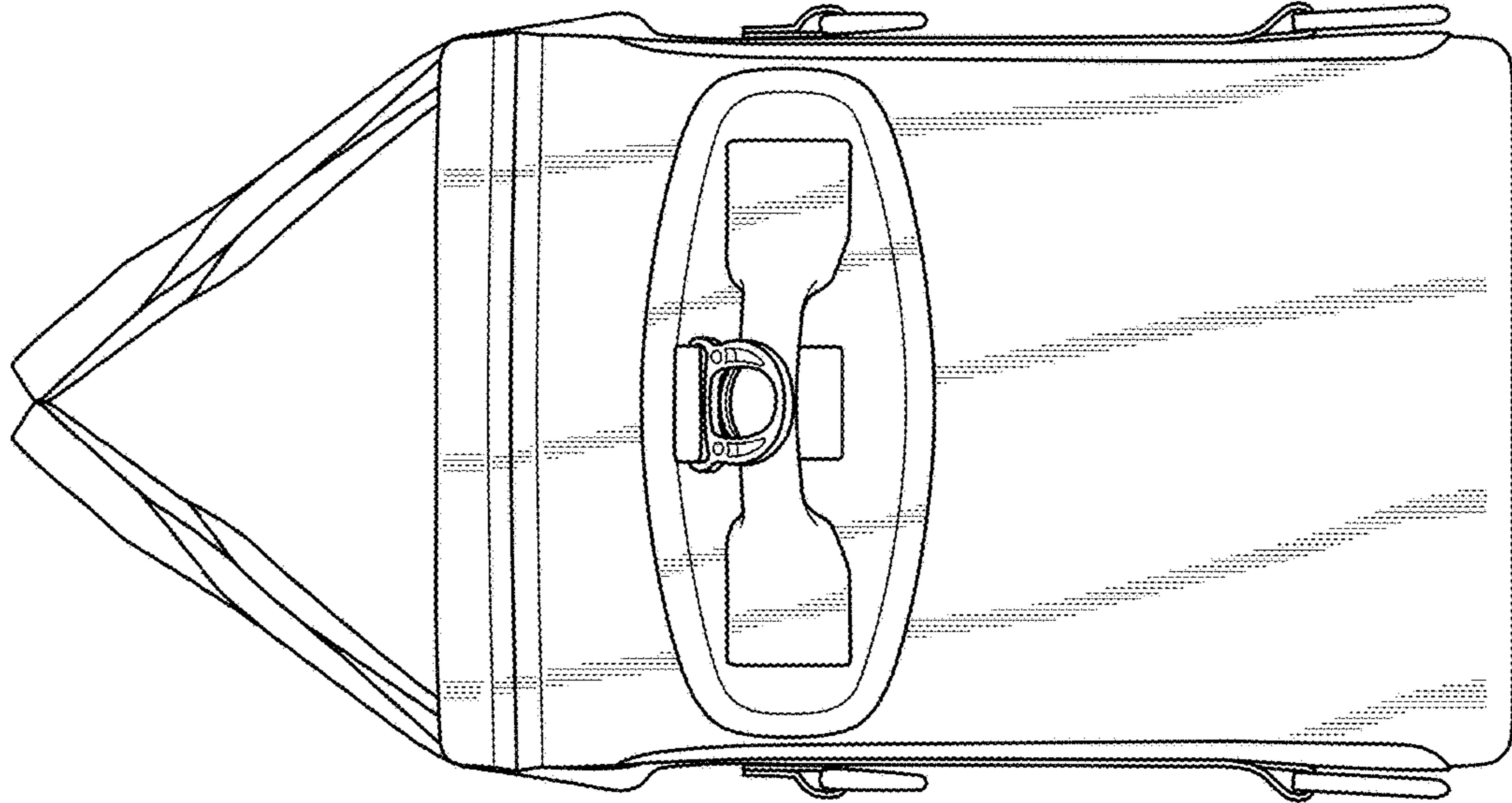


Fig. 6

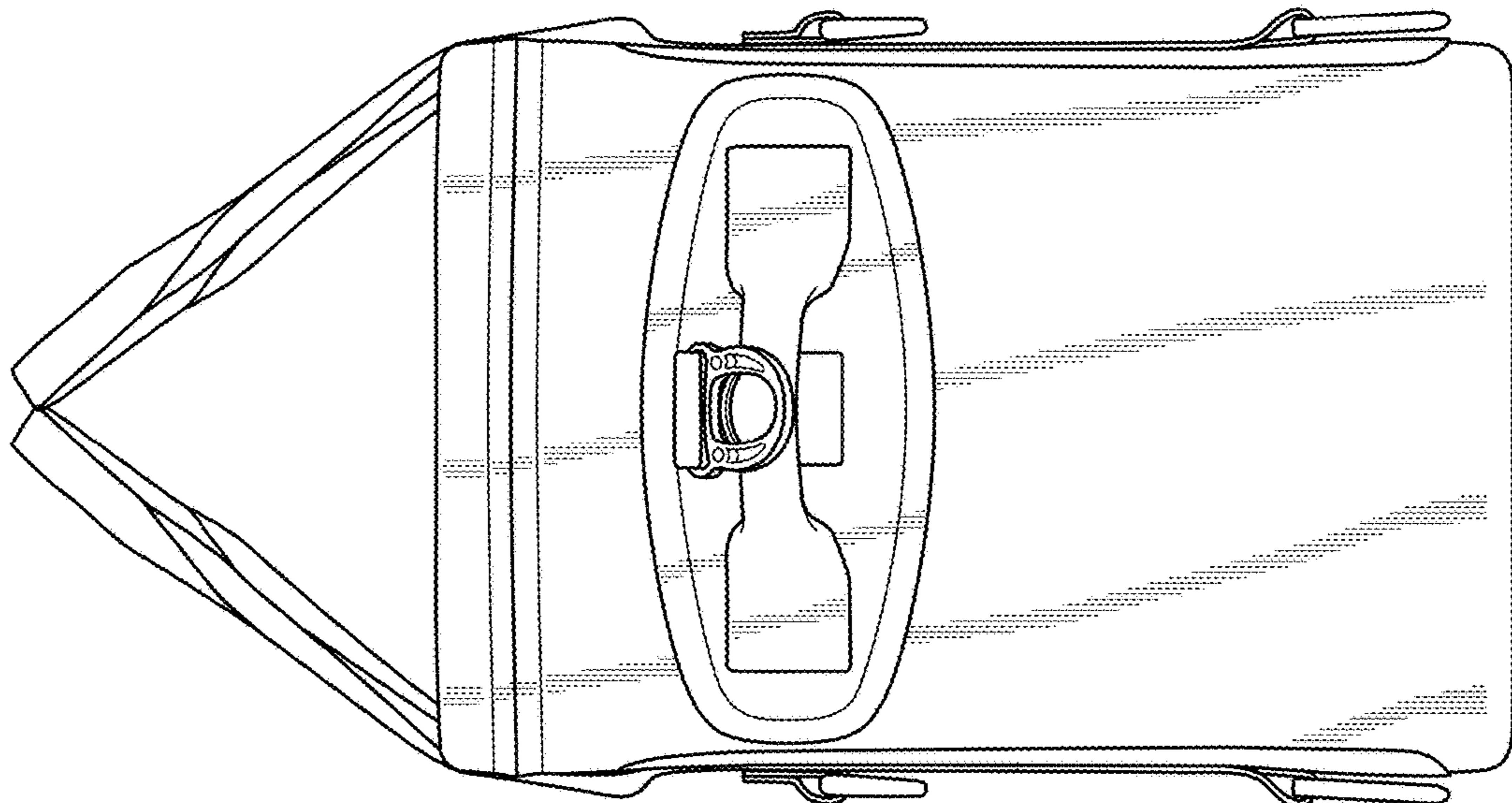


Fig. 7



Fig.8