



US00D836995S

(12) **United States Design Patent**  
**Carey et al.**

(10) **Patent No.:** **US D836,995 S**

(45) **Date of Patent:** **\*\* Jan. 1, 2019**

(54) **COOLER**

(71) Applicant: **THE METAL WARE CORPORATION**, Two Rivers, WI (US)

(72) Inventors: **Richard Carey**, Manitowoc, WI (US); **Ross Niemi**, Sheboygan, WI (US)

(73) Assignee: **The Metal Ware Corporation**, Two Rivers, WI (US)

(\*\*) Term: **15 Years**

(21) Appl. No.: **29/608,075**

(22) Filed: **Jun. 19, 2017**

(51) **LOC (11) Cl.** ..... **07-01**

(52) **U.S. Cl.**  
USPC ..... **D7/605**

(58) **Field of Classification Search**  
USPC ..... D7/603-608, 709; D3/272-274  
CPC ... A45C 11/20; A45C 9/00; F25D 3/14; F25D 3/08; F25D 3/12; B65D 81/3813; B65D 81/3823; B65D 81/3888; B65D 81/3889; B65D 81/3816; B65D 81/3858; F24D 2331/804; A47J 41/022; A47J 41/00; A47J 45/06; A47G 19/2288; F25B 19/00  
See application file for complete search history.

(56) **References Cited**

**U.S. PATENT DOCUMENTS**

1,483,953 A	2/1924	Rainey
D70,542 S	7/1926	Davis et al.
1,699,313 A	1/1929	Schlaich
2,960,216 A	11/1960	Brady
D210,795 S	4/1968	Birger et al.
3,782,765 A	1/1974	Wallyn
D232,798 S	9/1974	Roche
D237,135 S	10/1975	Wiant et al.
D257,934 S	1/1981	Buss
D259,232 S	5/1981	Tarozzi

D266,822 S 11/1982 Seager  
D270,604 S 9/1983 Zauft  
D281,695 S 12/1985 Ryan, Jr.  
D283,480 S 4/1986 Bailey  
D283,966 S 5/1986 Carlson  
(Continued)

*Primary Examiner* — Terry A Wallace  
(74) *Attorney, Agent, or Firm* — Seager, Tufte & Wickhem LLP.

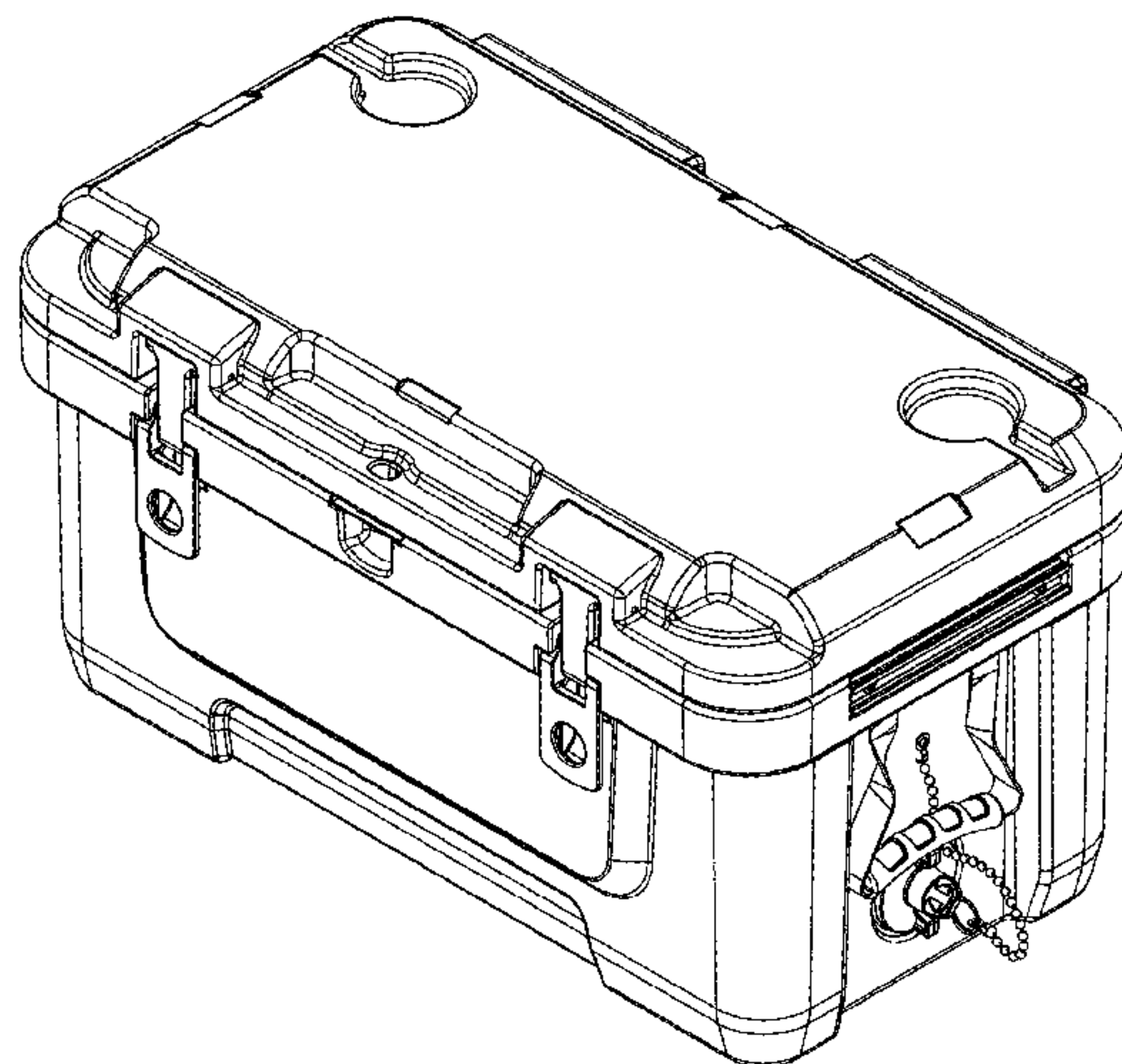
(57) **CLAIM**

The ornamental design for a cooler, as shown and described.

**DESCRIPTION**

FIG. 1 is a top perspective view of a cooler showing our new design.  
FIG. 2 is a front view thereof.  
FIG. 3 is a rear view thereof.  
FIG. 4 is a right side view thereof.  
FIG. 5 is a left side view thereof.  
FIG. 6 is a top plan view thereof.  
FIG. 7 is a bottom plan view thereof.  
FIG. 8 is a top perspective view thereof with the latches in a released position.  
FIG. 9 is a front view thereof, with the latches removed for clarity of illustration.  
FIG. 10 is a top perspective view of an alternate embodiment of FIG. 1.  
FIG. 11 is a front view of FIG. 10.  
FIG. 12 is a rear view of FIG. 10.  
FIG. 13 is a right side view of FIG. 10.  
FIG. 14 is a left side view of FIG. 10.  
FIG. 15 is a top plan view of FIG. 10.  
FIG. 16 is a bottom plan view of FIG. 10.  
FIG. 17 is a top perspective view of FIG. 10 with the latches in a released position; and,  
FIG. 18 is a front view of FIG. 10, with the latches removed for clarity of illustration.

**1 Claim, 18 Drawing Sheets**



(56)

References Cited

U.S. PATENT DOCUMENTS

D291,858 S	9/1987	Baker et al.	D467,770 S	12/2002	Blalock	
4,702,504 A	10/1987	Brothers	D475,248 S	6/2003	Cantor et al.	
D305,397 S	1/1990	Balius	D486,457 S	2/2004	Lee	
D307,998 S	5/1990	Costello et al.	D494,021 S *	8/2004	Huthmaker .....	D7/605
D322,198 S	12/1991	Dringenburg	D511,247 S	11/2005	Tsuchiya	
D325,323 S	4/1992	Kahl	D511,624 S	11/2005	Rosine et al.	
D325,324 S	4/1992	Kahl	D521,810 S	5/2006	Estes	
D325,853 S	5/1992	Kahl	D528,368 S *	9/2006	Maldonado .....	D7/605
D328,221 S	7/1992	Piccarillo	D552,426 S	10/2007	Jones et al.	
D328,689 S	8/1992	Riskowski	D560,102 S	1/2008	Sumter	
D330,329 S	10/1992	Brightbill	D563,731 S	3/2008	Thurston	
D333,775 S	3/1993	Krape	D566,479 S *	4/2008	Kabalin .....	D3/273
D334,868 S	4/1993	Lau Woon	D575,059 S	8/2008	Cappiello et al.	
D340,167 S	10/1993	Kahl	D587,972 S	3/2009	Dorisca et al.	
D340,620 S	10/1993	Peters	7,533,782 B2	5/2009	Parker et al.	
D349,007 S	7/1994	Costello	7,540,364 B2	6/2009	Sanderson	
D351,318 S	10/1994	Wedi	D604,994 S	12/2009	Greenlees	
D352,208 S	11/1994	Brookshire	D613,109 S	4/2010	Sanchez et al.	
D353,304 S	12/1994	Friedrich	D613,560 S	4/2010	Robichaud et al.	
D354,419 S	1/1995	Kahl et al.	7,722,204 B1	5/2010	Sandberg	
D366,599 S	1/1996	Brown et al.	D634,982 S	3/2011	Melchert et al.	
D369,722 S	5/1996	Lopez, Jr. et al.	D637,459 S	5/2011	Giese	
D370,159 S	5/1996	Fenton et al.	D640,102 S	6/2011	Hawkins	
D376,068 S	12/1996	Coy	D645,248 S	9/2011	Osiecki et al.	
5,607,195 A	3/1997	Antonucci	D646,528 S	10/2011	Stallman et al.	
D380,369 S	7/1997	Antonucci	D651,860 S	1/2012	Nie	
D386,649 S	11/1997	Arnfelt	D660,885 S	5/2012	Crawford	
5,683,097 A	11/1997	Fenton et al.	8,210,702 B1	7/2012	Sandberg	
5,735,428 A	4/1998	Chern	D694,070 S	11/2013	Torres	
5,738,238 A	4/1998	Yang	D712,720 S	9/2014	Seiders	
5,742,990 A	4/1998	Antonucci	D712,721 S	9/2014	Seiders	
D394,550 S	5/1998	Tanji	D712,722 S	9/2014	Seiders	
D396,779 S	8/1998	Moffett, III et al.	D712,723 S	9/2014	Seiders	
D397,585 S	9/1998	Rausch et al.	D714,125 S	9/2014	Seiders	
D398,816 S	9/1998	Koutsouflakis	8,887,515 B2 *	11/2014	Patstone .....	F25D 3/08 62/457.2
D407,609 S	4/1999	Rausch	8,910,819 B2	12/2014	Seiders	
D415,393 S	10/1999	Kei	9,187,232 B2	11/2015	Seiders	
D415,658 S	10/1999	Frehse	D747,950 S	1/2016	Jacobsen et al.	
D421,552 S	3/2000	Frehse	D747,951 S	1/2016	Jacobsen et al.	
D423,294 S	4/2000	Klein et al.	D748,452 S	2/2016	Jacobsen et al.	
D429,606 S	8/2000	Israel et al.	D750,953 S	3/2016	Jacobsen et al.	
D437,736 S	2/2001	Moffett, III et al.	2008/0025544 A1	1/2008	Maldonado	
D439,406 S	3/2001	Zimmerman	2008/0110892 A1	5/2008	House	
D439,913 S	4/2001	Jobst	2009/0139245 A1	6/2009	Blackway et al.	
D454,292 S	3/2002	Plummer et al.	2011/0203297 A1	8/2011	Oberweis	
6,398,272 B1	6/2002	Plummer et al.	2012/0132657 A1 *	5/2012	Seiders .....	B65D 81/3816 220/592.2
D467,470 S	12/2002	Cantor et al.	2014/0252010 A1	9/2014	Miller	

\* cited by examiner



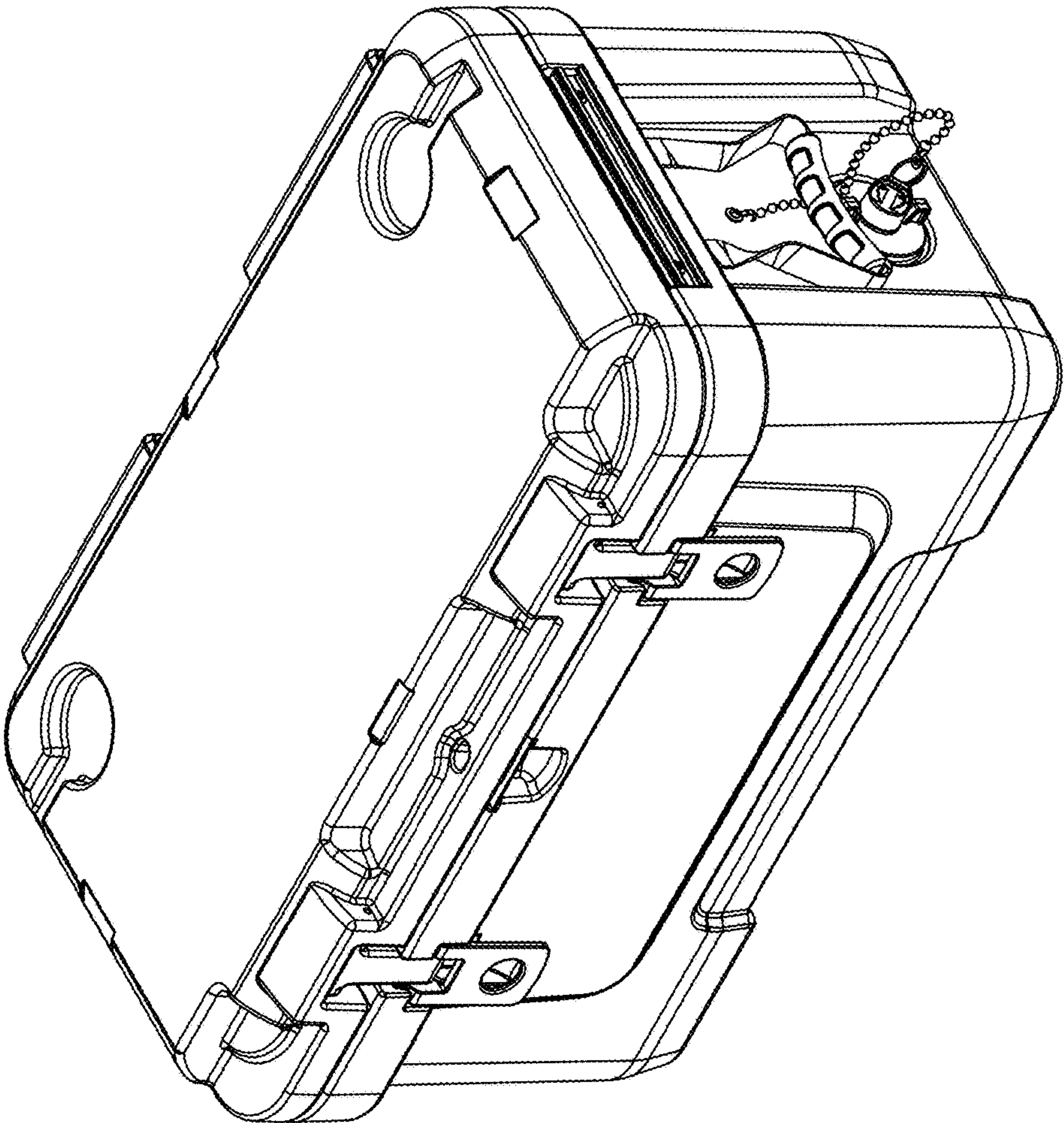


Figure 1

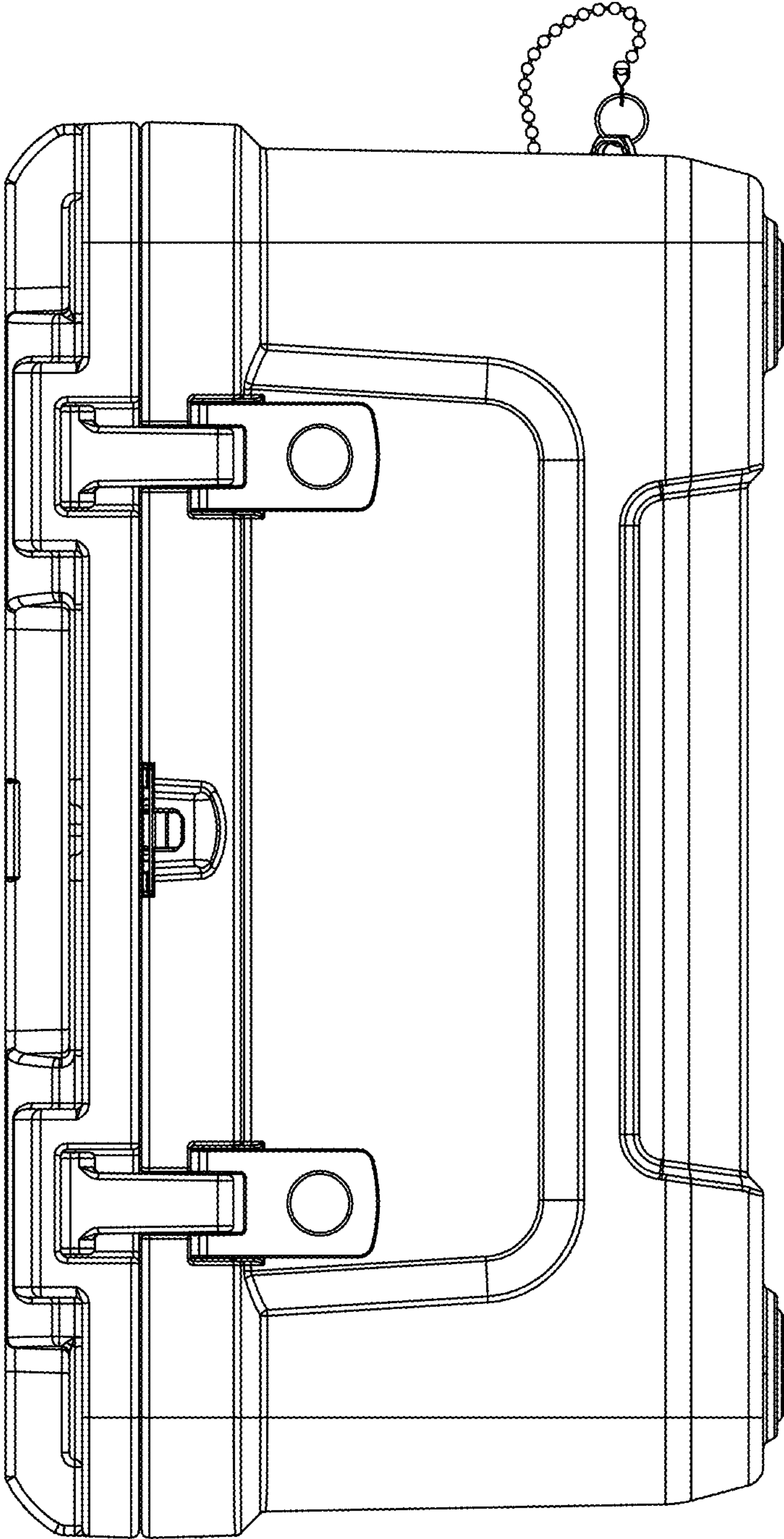


Figure 2

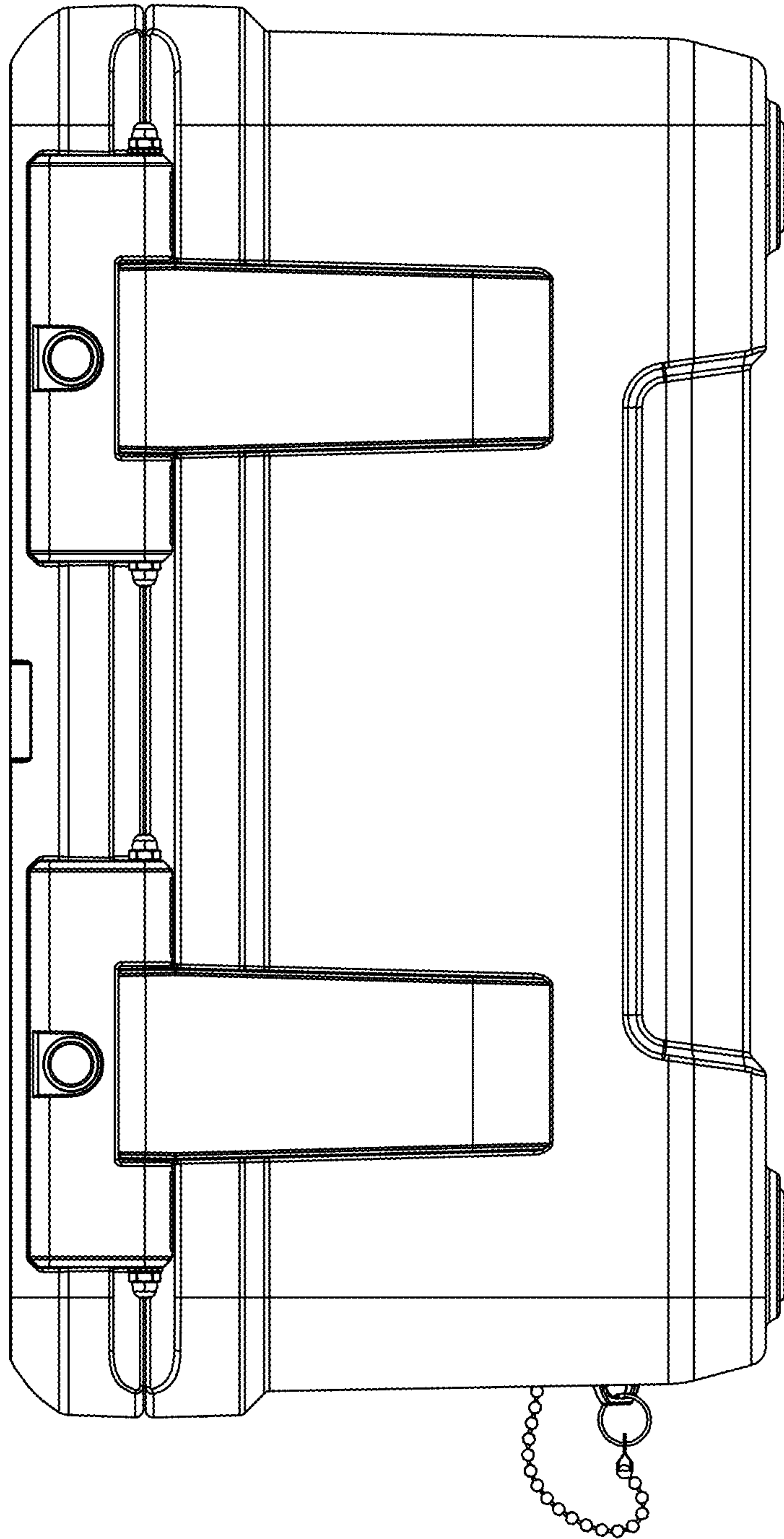


Figure 3

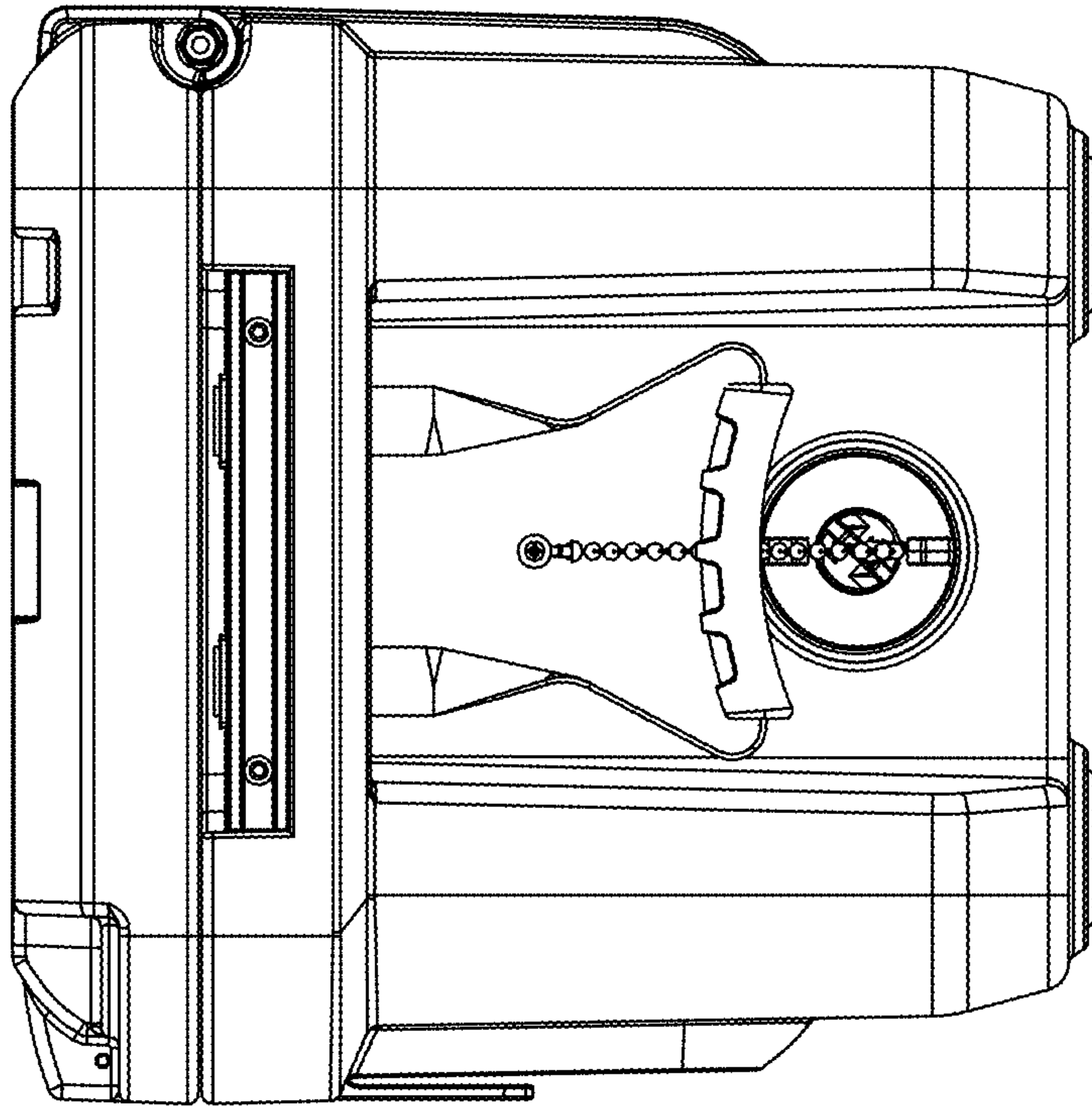


Figure 4

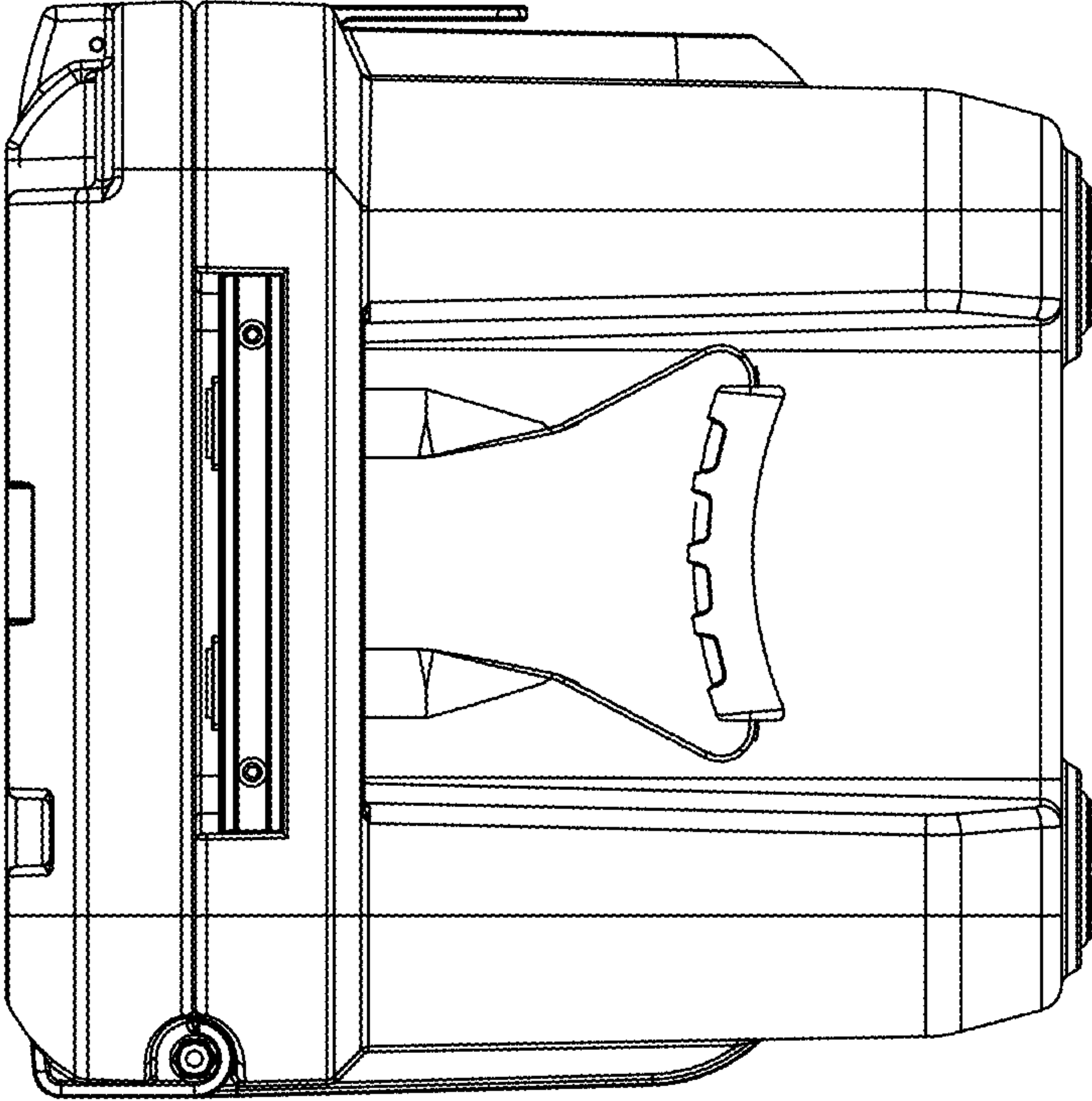


Figure 5



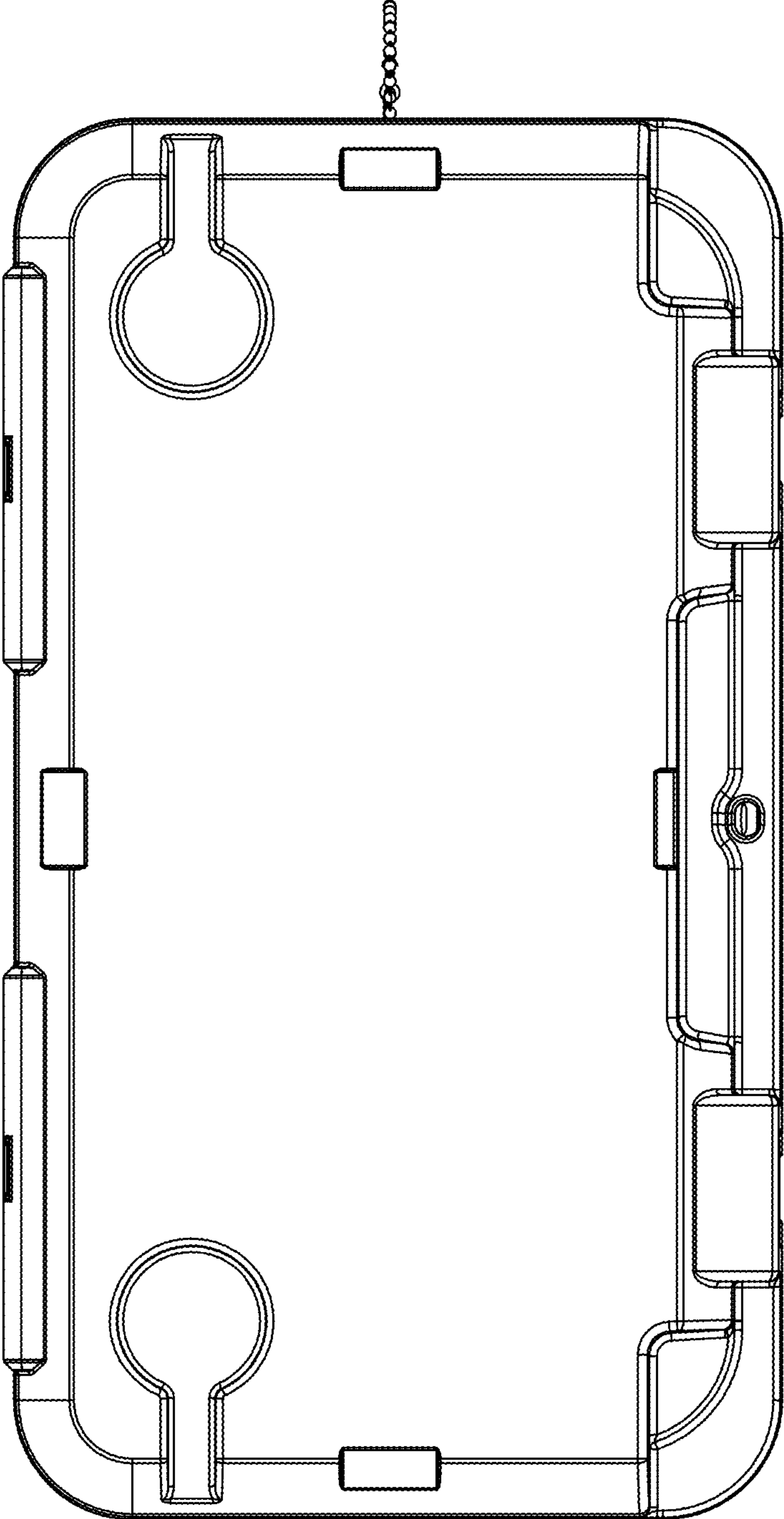


Figure 6



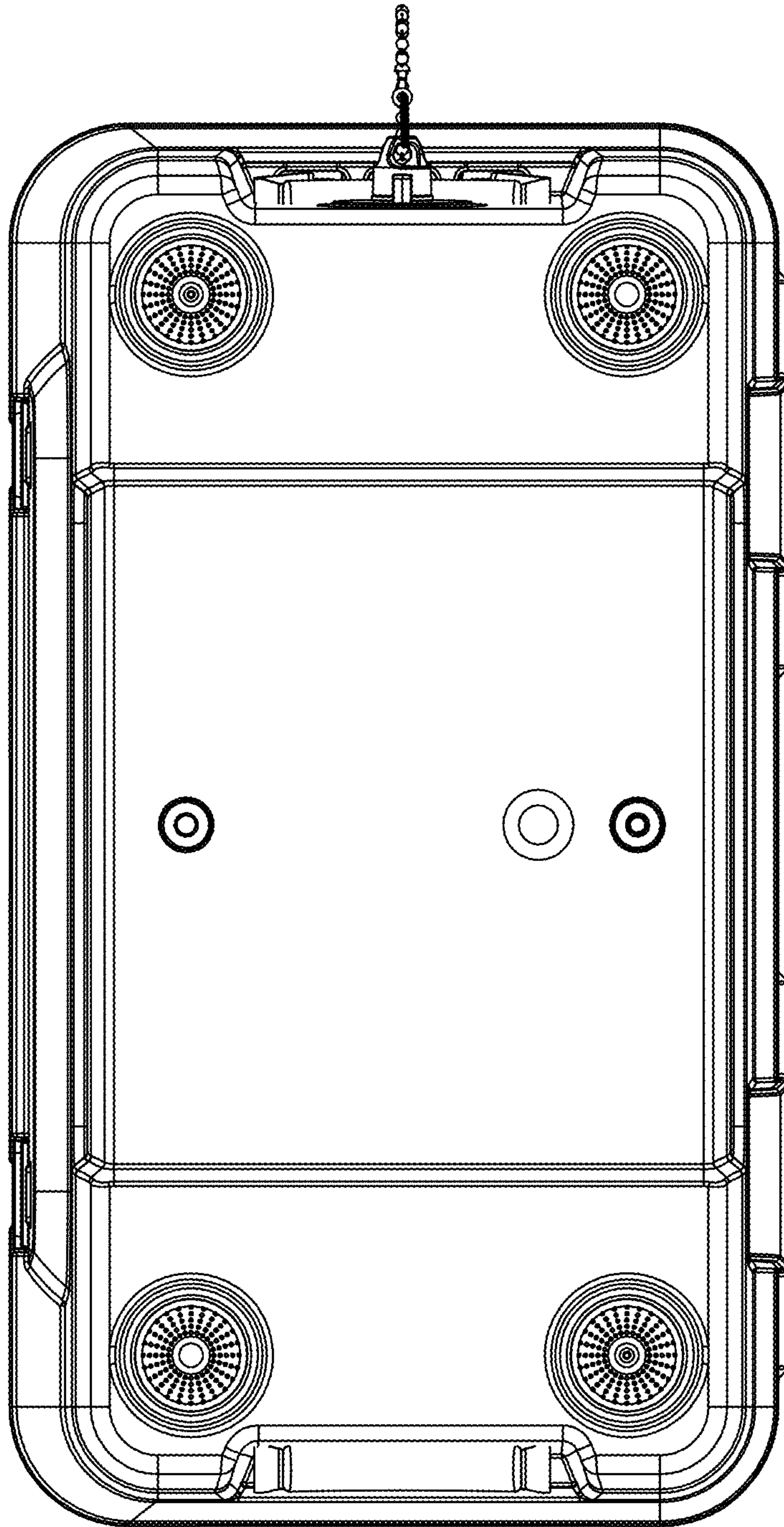


Figure 7

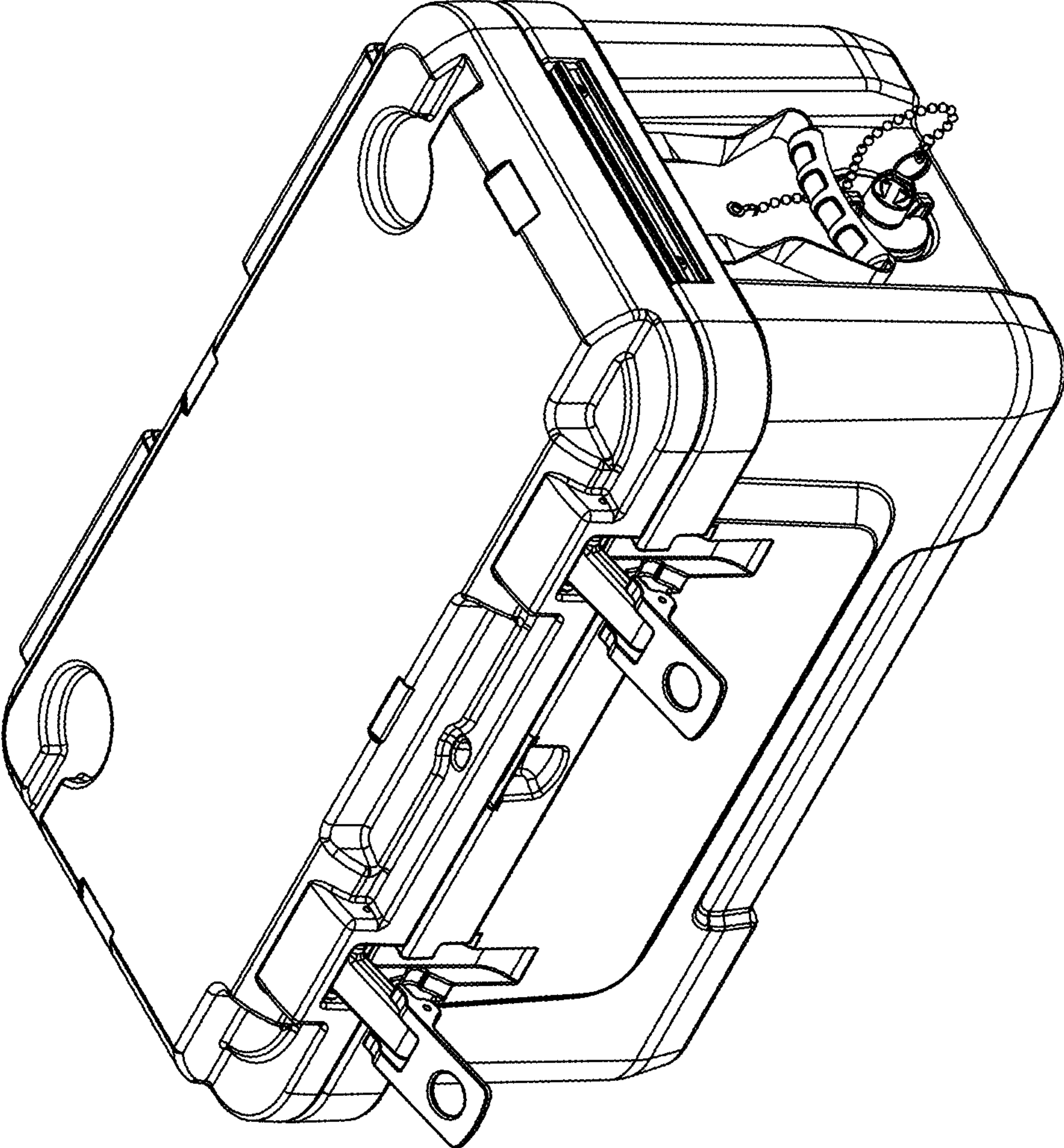


Figure 8

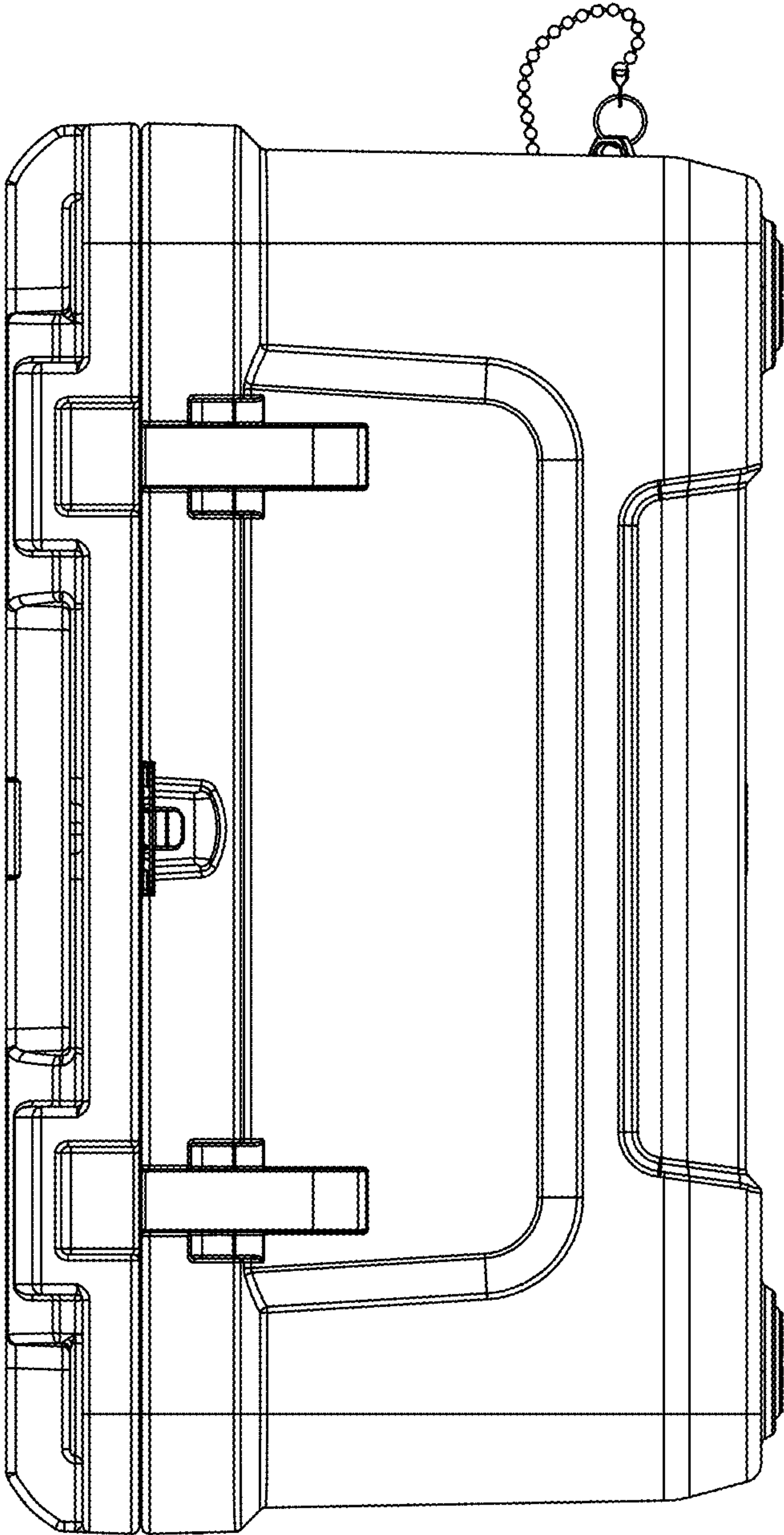


Figure 9

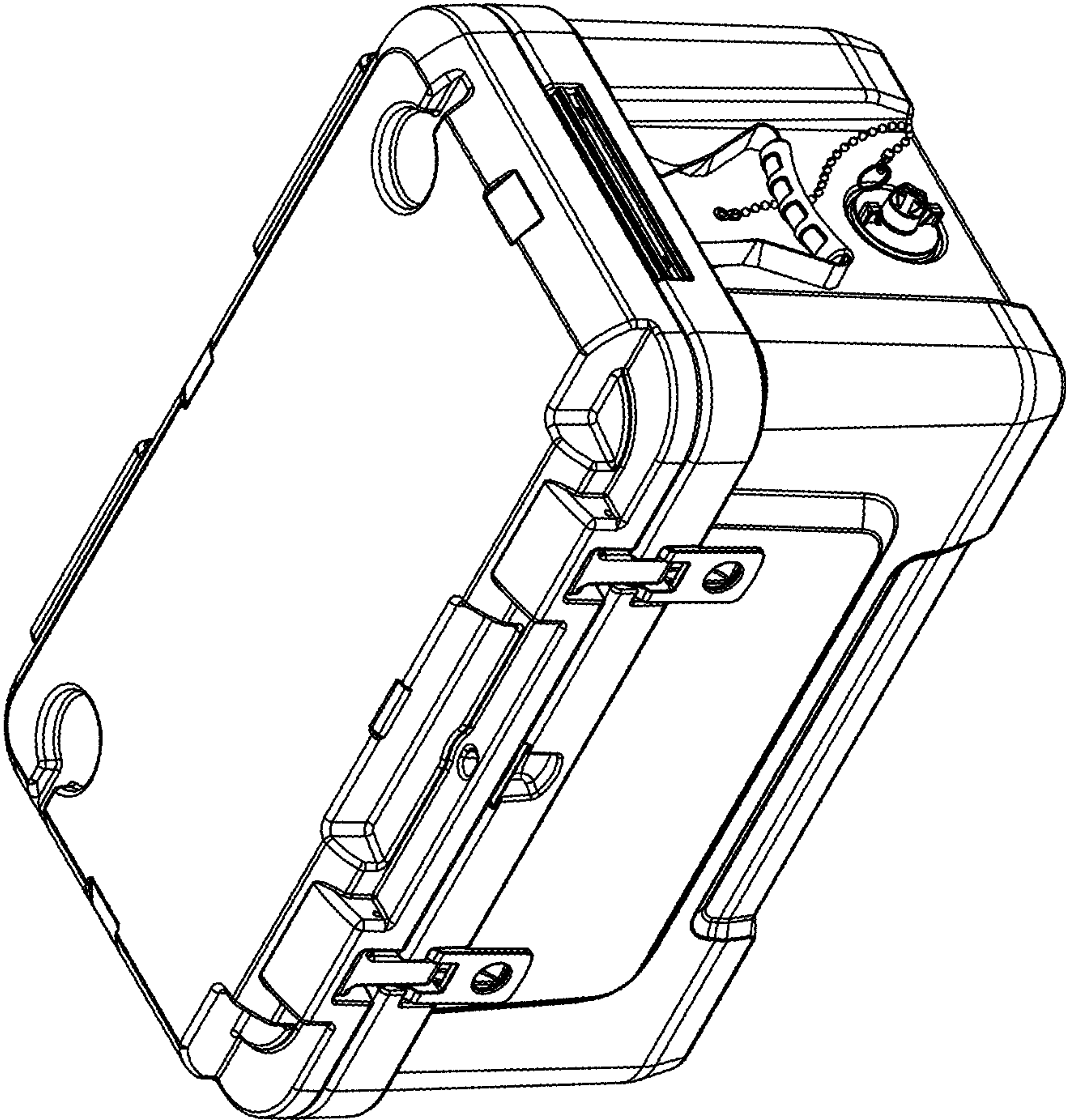


Figure 10



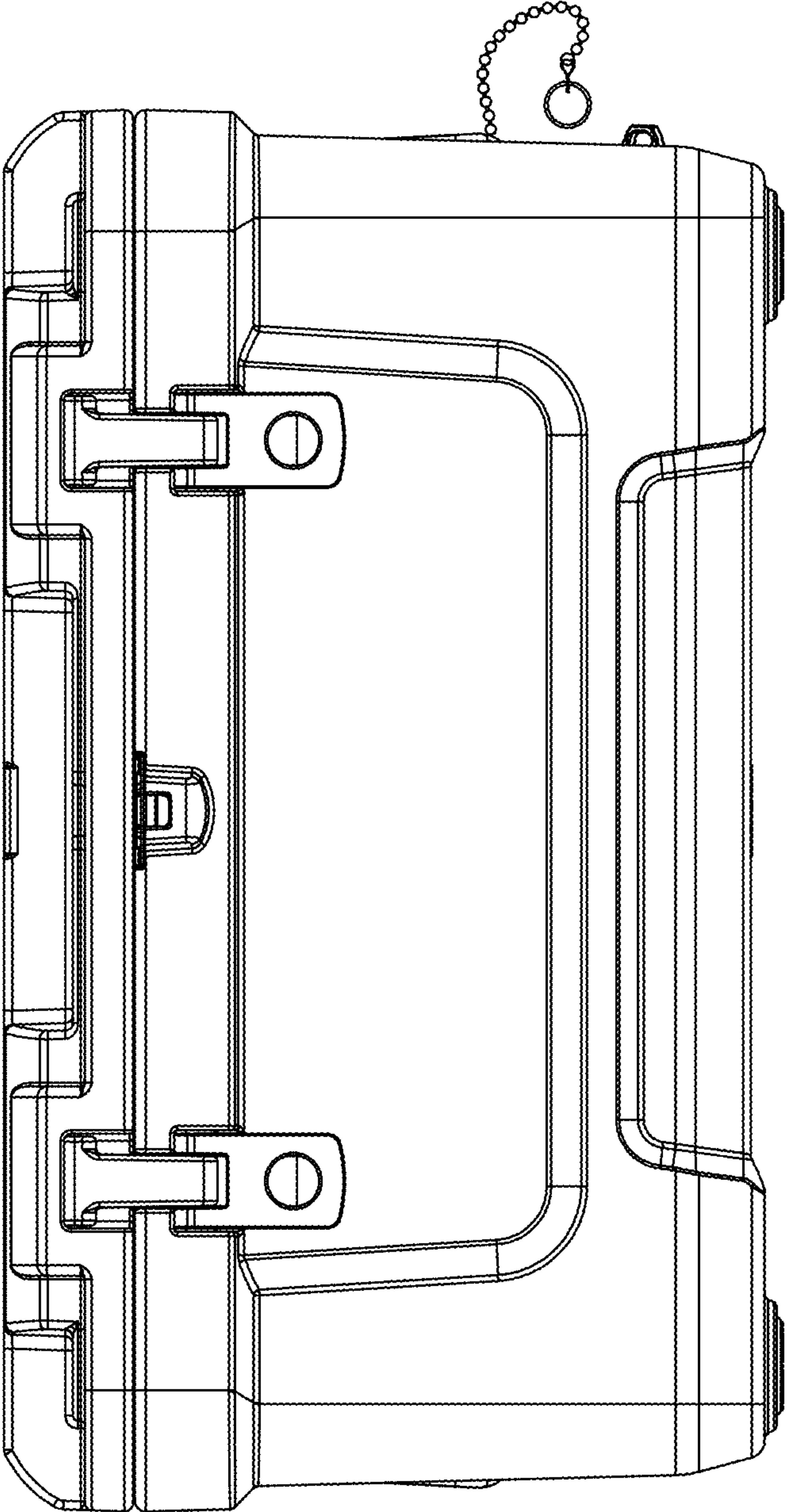


Figure 11

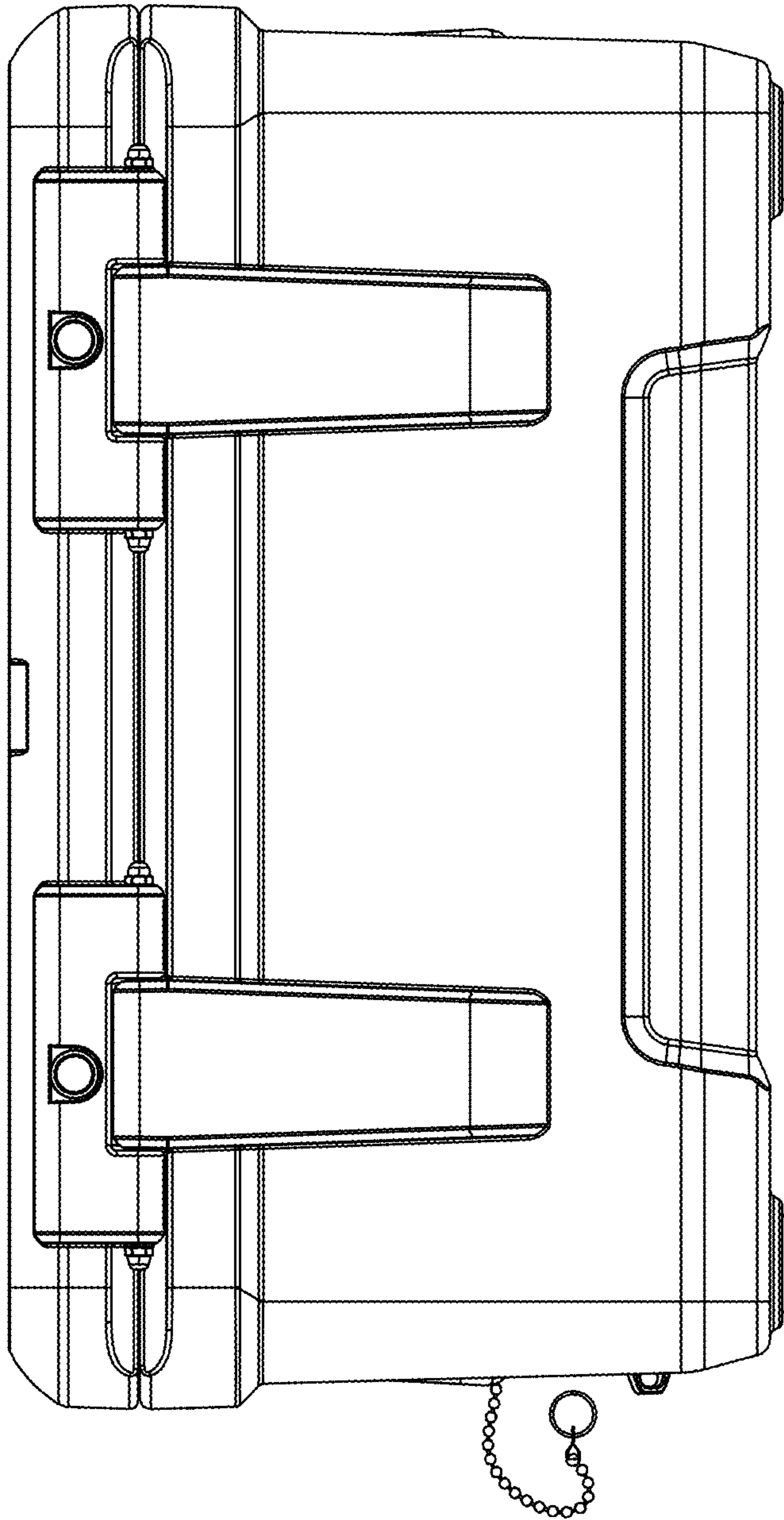


Figure 12

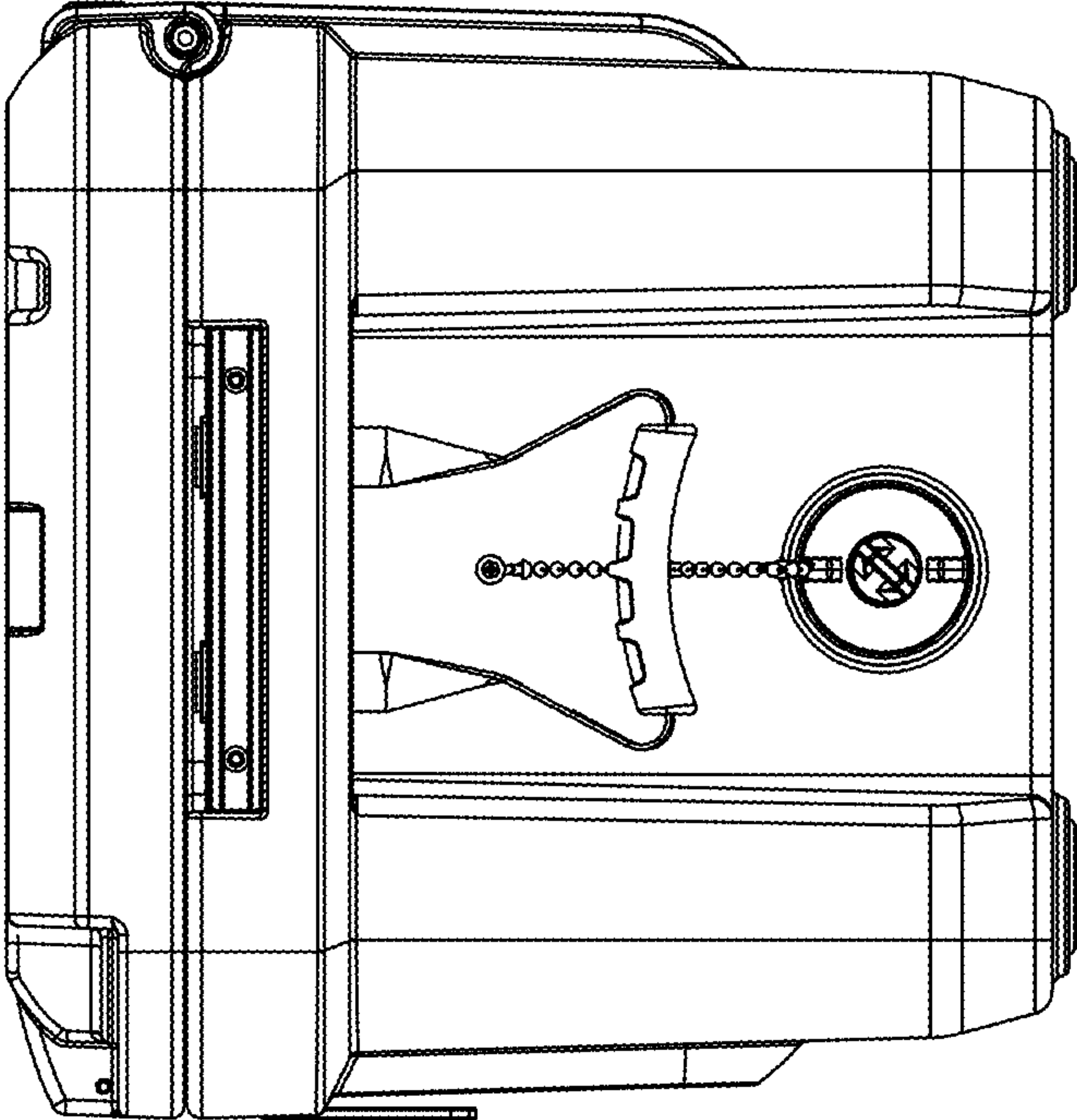


Figure 13

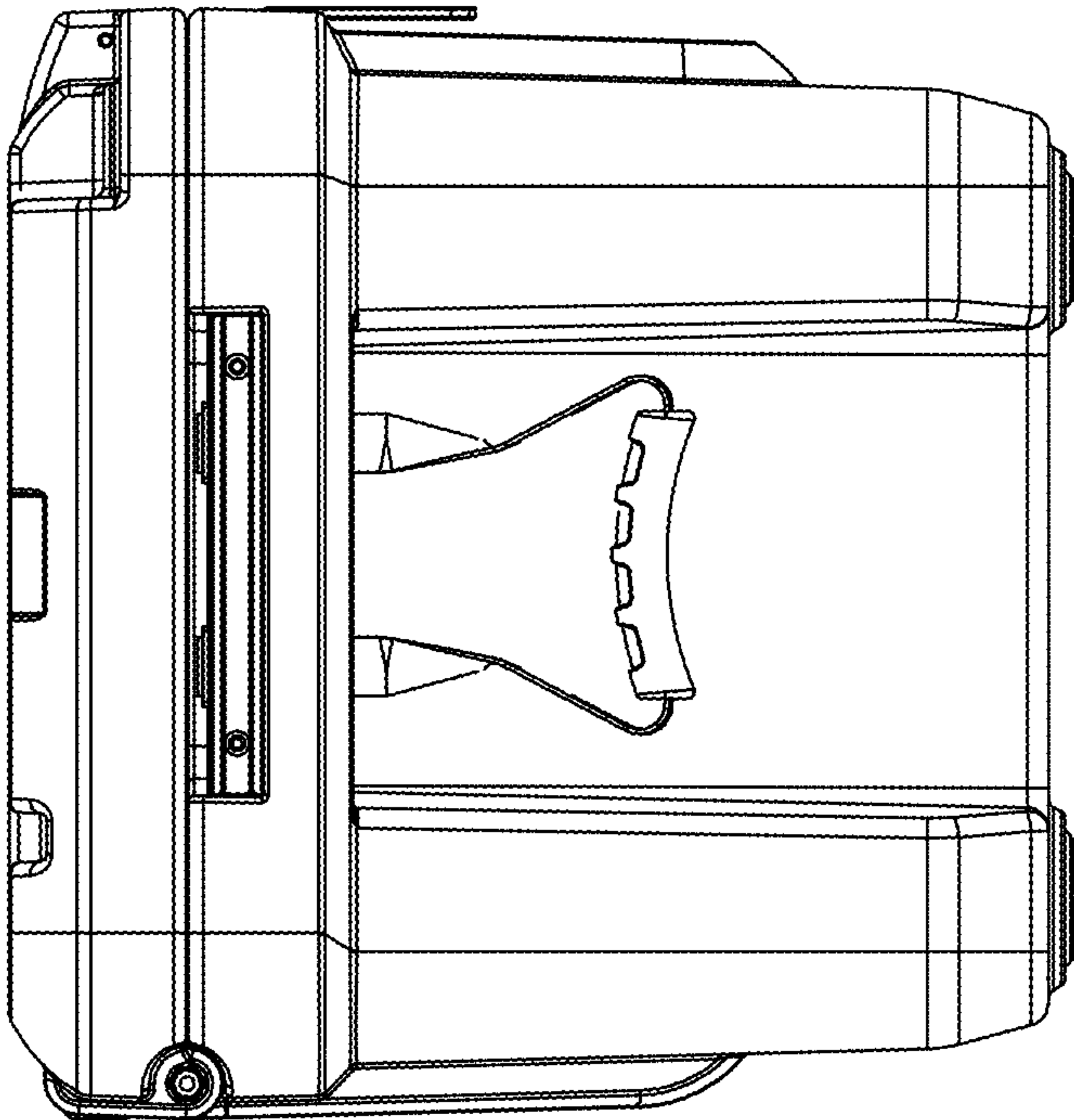


Figure 14



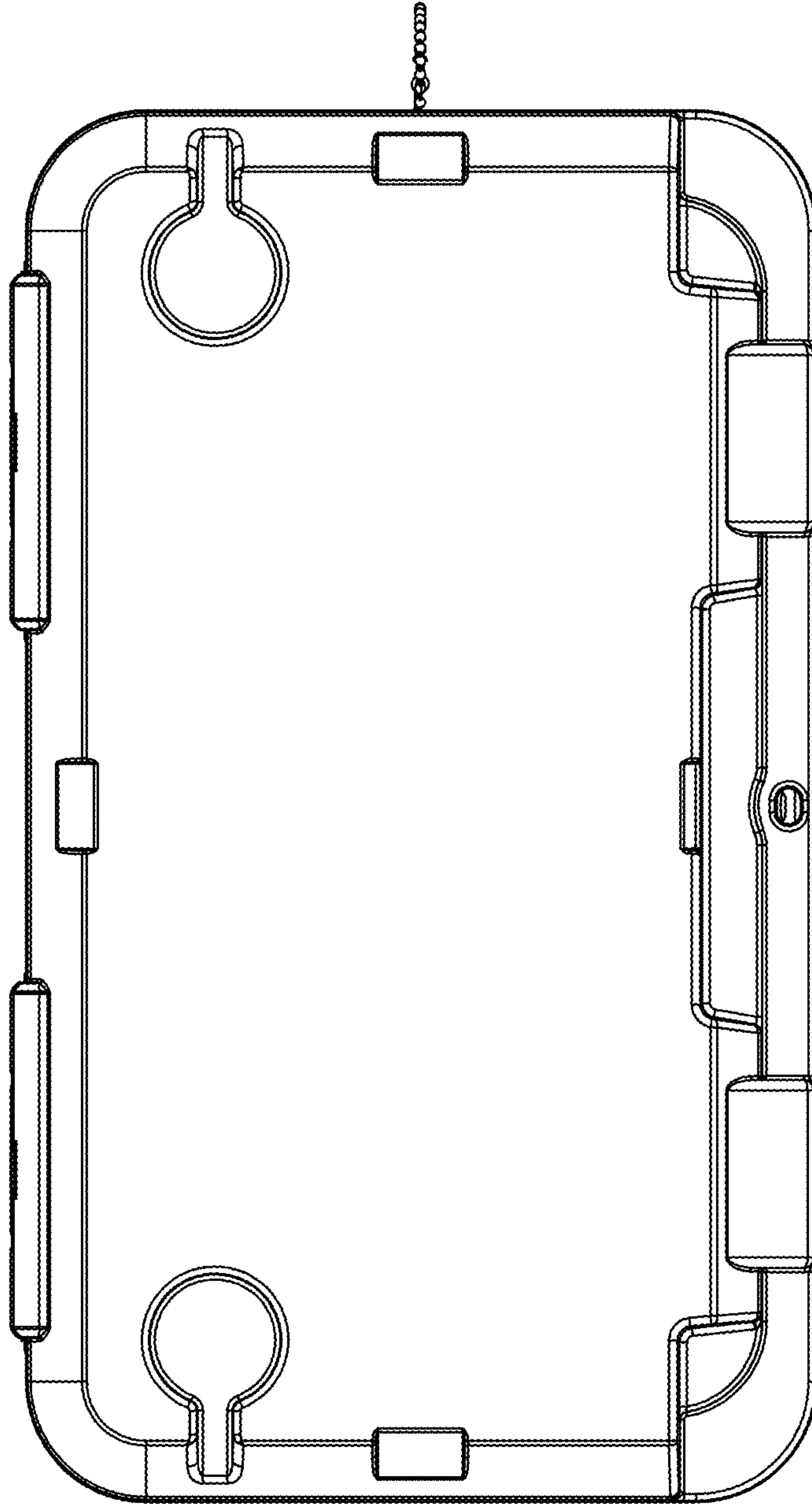


Figure 15

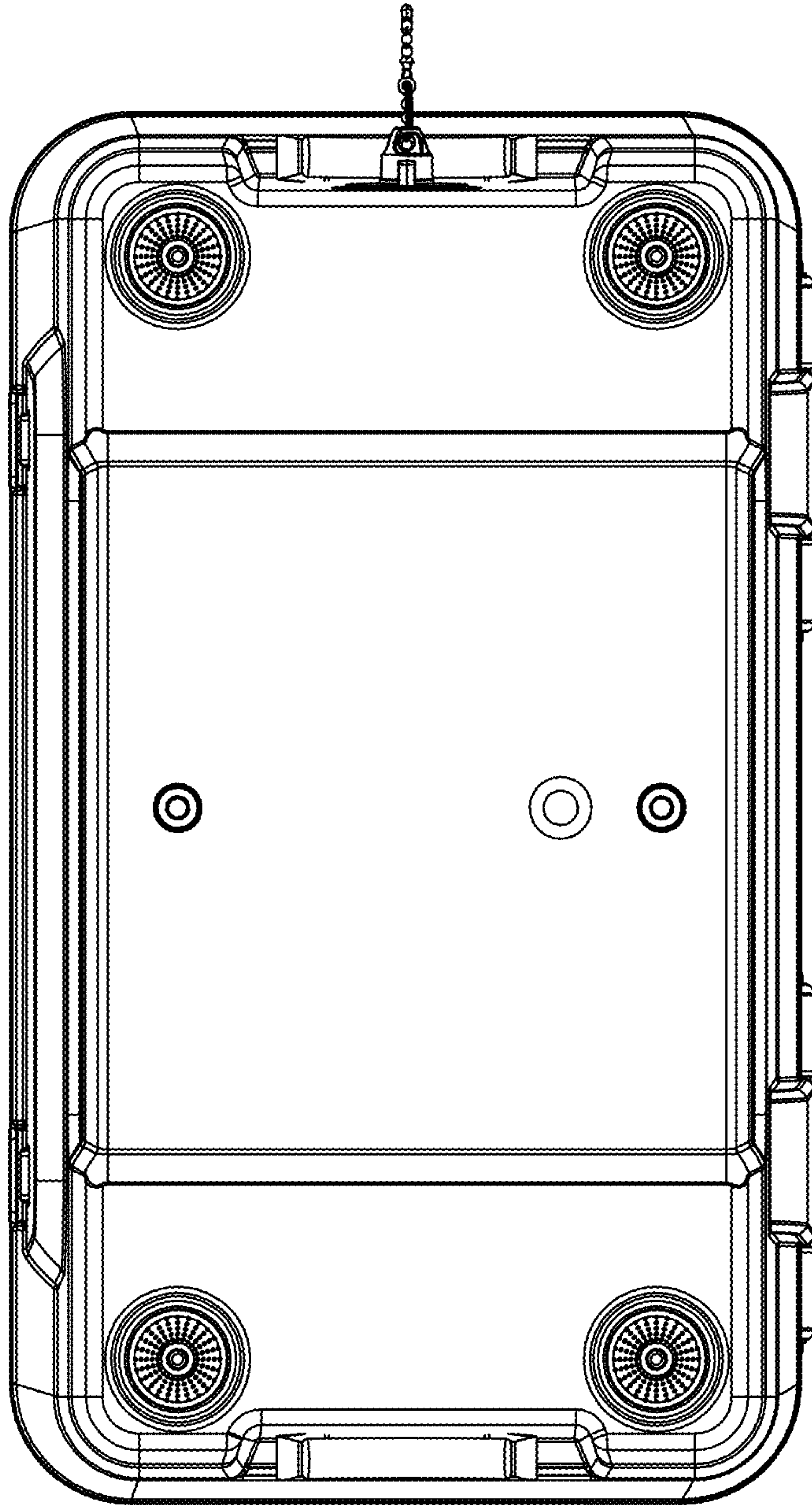


Figure 16

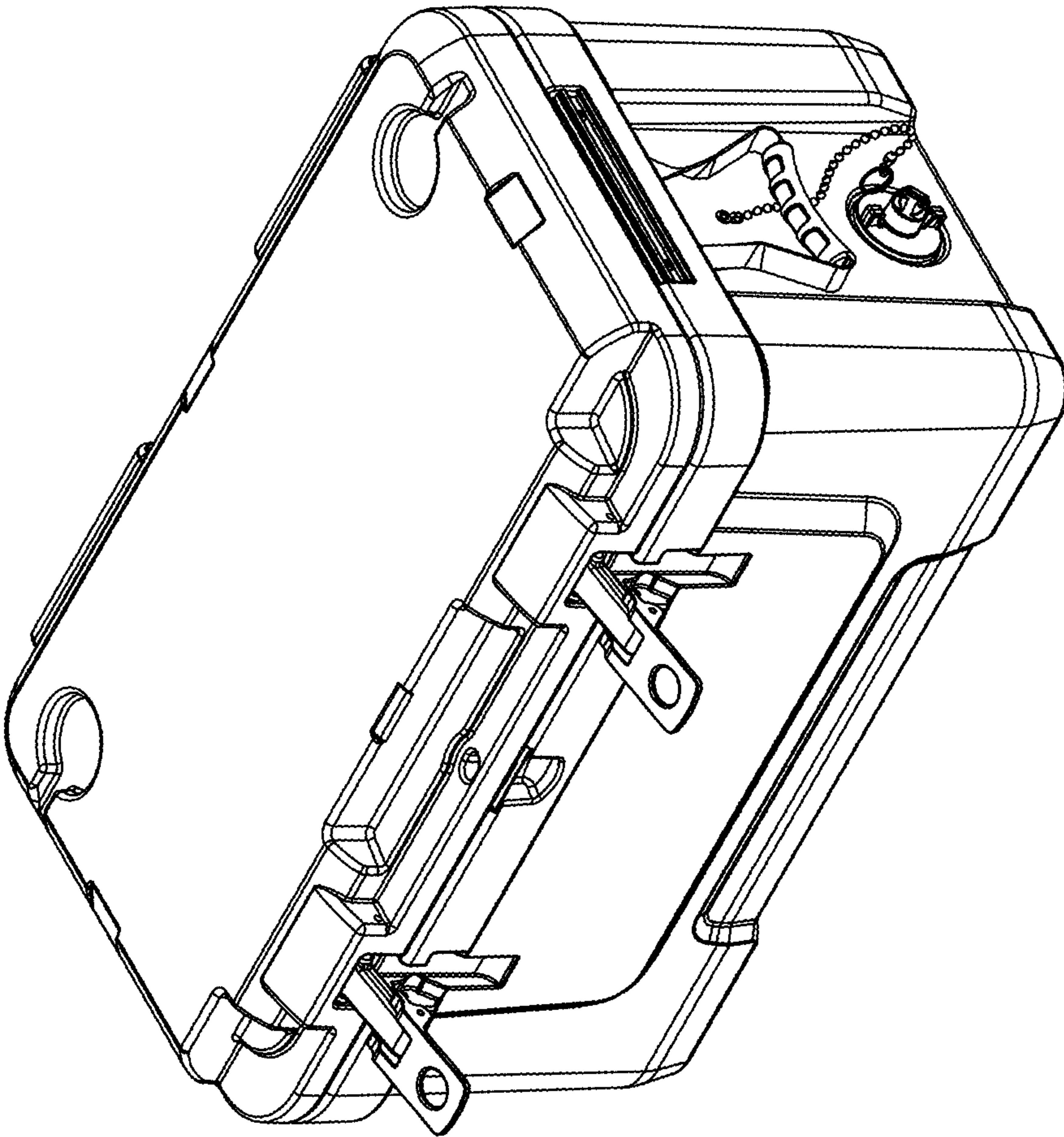


Figure 17

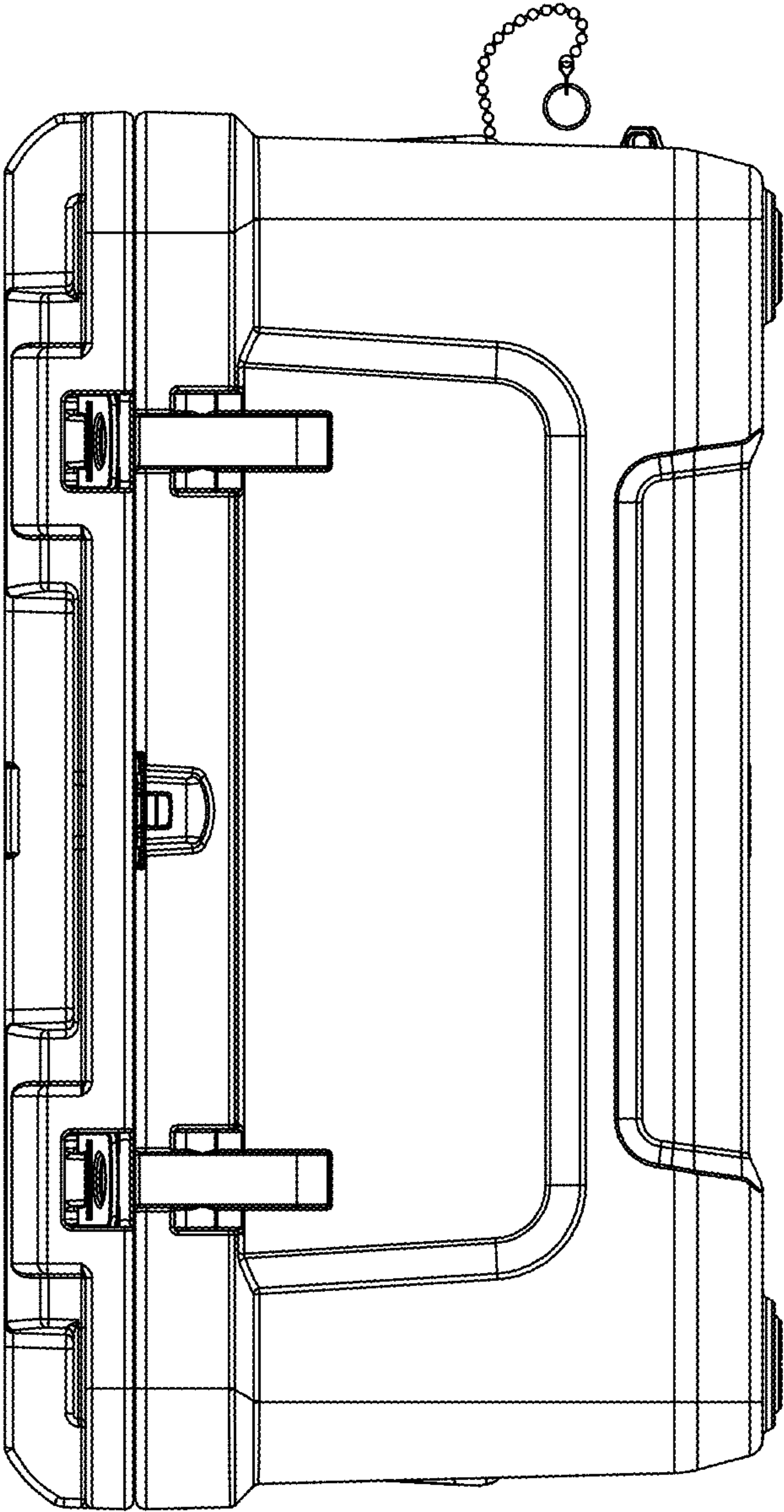


Figure 18