



US00D836994S

(12) **United States Design Patent** (10) **Patent No.:** **US D836,994 S**  
**Meda et al.** (45) **Date of Patent:** **\*\* Jan. 1, 2019**

(54) **COOLER**  
(71) Applicant: **Dometic Sweden AB**, Solna (SE)  
(72) Inventors: **Samuele Meda**, Solna (SE); **Joakim Ahlström**, Täby (SE)  
(73) Assignee: **Dometic Sweden AB**, Solna (SE)  
(\*\*) Term: **15 Years**  
(21) Appl. No.: **29/604,426**  
(22) Filed: **May 17, 2017**  
(51) **LOC (11) Cl.** ..... **07-01**  
(52) **U.S. Cl.**  
USPC ..... **D7/605**  
(58) **Field of Classification Search**  
USPC ..... D7/603-608, 629, 630; D3/272-274,  
D3/201, 202-206, 203.1-203.8  
(Continued)

(56) **References Cited**  
**U.S. PATENT DOCUMENTS**  
D281,695 S \* 12/1985 Ryan, Jr. .... D7/605  
D337,232 S \* 7/1993 Kahl ..... D7/605  
(Continued)

**FOREIGN PATENT DOCUMENTS**  
AU 201712770 5/2017  
AU 201712799 5/2017  
(Continued)

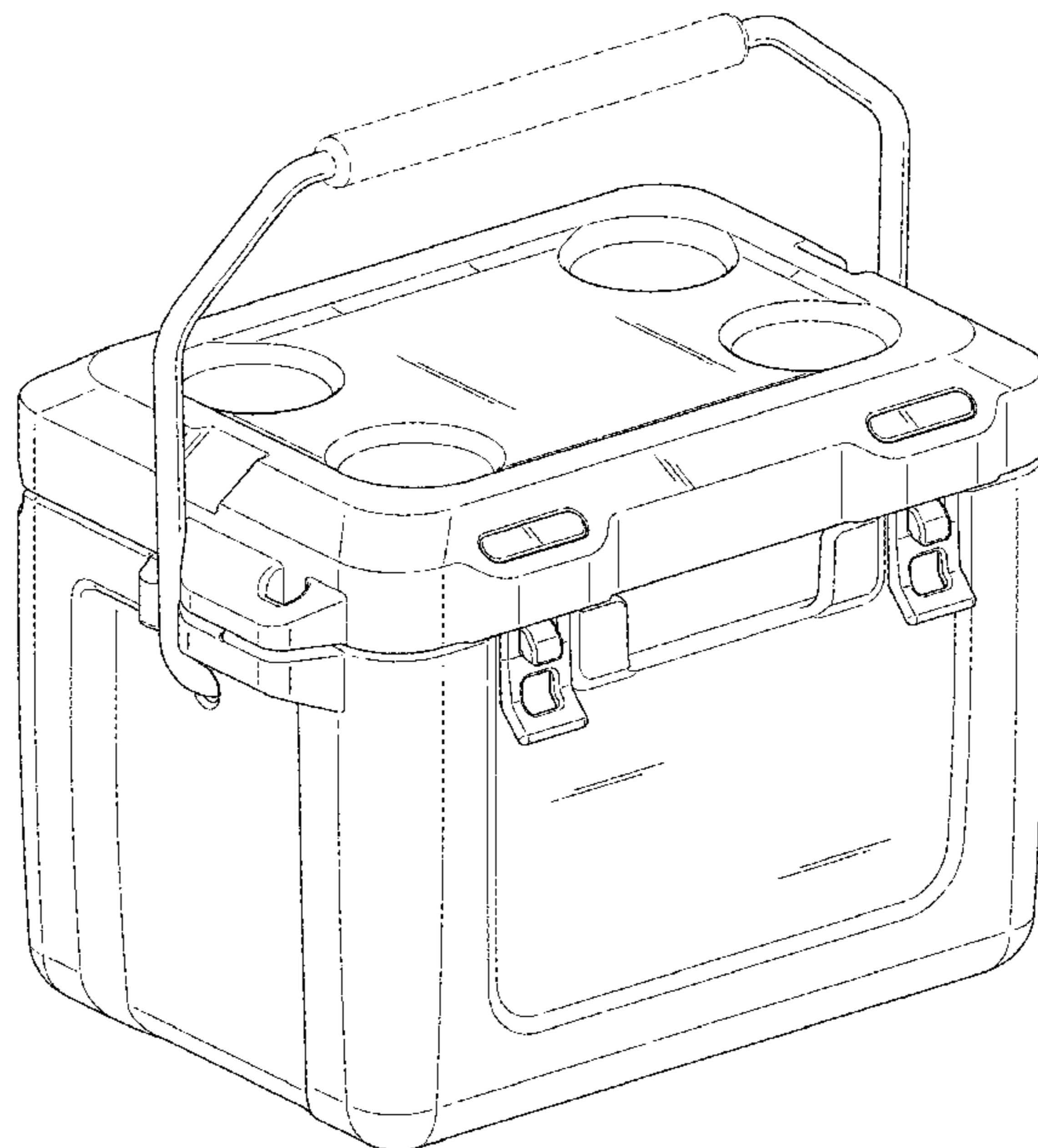
**OTHER PUBLICATIONS**  
Australian Patent Application No. AU201716789 filed Nov. 8, 2017.  
(Continued)

*Primary Examiner* — Terry A Wallace  
(74) *Attorney, Agent, or Firm* — Middleton Reutlinger

(57) **CLAIM**  
The ornamental design for a cooler, as shown and described.

**DESCRIPTION**  
FIG. 1 is a perspective view of a first design of a cooler; FIG. 2 is a front elevation view of the design of FIG. 1; FIG. 3 is a rear elevation view of the design of FIG. 1; FIG. 4 is a top plan view of the design of FIG. 1; FIG. 5 is a bottom plan view of the design of FIG. 1; FIG. 6 is a right side elevation view of the design of FIG. 1; and, FIG. 7 is a left side elevation view of the design of FIG. 1. FIG. 8 is a perspective view of a second design of a cooler; FIG. 9 is a front elevation view of the design of FIG. 8; FIG. 10 is a rear elevation view of the design of FIG. 8; FIG. 11 is a top plan view of the design of FIG. 8; FIG. 12 is a bottom plan view of the design of FIG. 8; FIG. 13 is a right side elevation view of the design of FIG. 8; and, FIG. 14 is a left side elevation view of the design of FIG. 8. FIG. 15 is a perspective view of a third design of a cooler; FIG. 16 is a front elevation view of the design of FIG. 15; FIG. 17 is a rear elevation view of the design of FIG. 15; FIG. 18 is a top plan view of the design of FIG. 15; FIG. 19 is a bottom plan view of the design of FIG. 15; FIG. 20 is a right side elevation view of the design of FIG. 15; and, FIG. 21 is a left side elevation view of the design of FIG. 15. The broken line disclosure represents unclaimed portions of the cooler in which the design is embodied.

**1 Claim, 21 Drawing Sheets**



(58) **Field of Classification Search**

CPC .. A45C 11/20; A45C 9/00; A45C 5/14; A45C 5/03; F25B 19/00; F25D 3/08; F25D 3/14; F25D 2331/804; A47J 41/022; A47G 19/2288; B65D 81/3886; B65D 81/3834; B65D 81/3897; B65D 81/3823; B65D 81/3813; B65D 81/3888; B65D 81/3858; A47B 77/08

See application file for complete search history.

|              |     |         |                 |
|--------------|-----|---------|-----------------|
| 9,320,938    | B1  | 4/2016  | Belmore         |
| D792,486     | S   | 7/2017  | Li et al.       |
| D802,028     | S   | 11/2017 | Li              |
| D802,029     | S   | 11/2017 | Li              |
| D802,630     | S   | 11/2017 | Li et al.       |
| 2011/0226785 | A1  | 9/2011  | Sakell          |
| 2014/0338390 | A1  | 11/2014 | Pinto           |
| 2015/0000318 | A1  | 1/2015  | Pinto           |
| 2015/0008242 | A1  | 1/2015  | Kpabar          |
| 2015/0021106 | A1  | 1/2015  | LaRosa          |
| 2015/0114024 | A1* | 4/2015  | Grepper .....   |
|              |     |         | F25D 23/00      |
|              |     |         | 62/320          |
| 2015/0241107 | A1  | 8/2015  | Mech            |
| 2015/0322698 | A1  | 11/2015 | Seiders         |
| 2015/0353263 | A1  | 12/2015 | Seiders et al.  |
| 2016/0101924 | A1  | 4/2016  | Mitchell et al. |
| 2017/0023290 | A1  | 1/2017  | DeMuth et al.   |

(56) **References Cited**

U.S. PATENT DOCUMENTS

|           |     |         |                 |            |
|-----------|-----|---------|-----------------|------------|
| 5,407,218 | A   | 4/1995  | Jackson         |            |
| D374,772  | S * | 10/1996 | Hotaling .....  | D3/273     |
| 5,676,296 | A   | 10/1997 | Masters         |            |
| D400,053  | S * | 10/1998 | Coffee .....    | D7/605     |
| 5,860,281 | A * | 1/1999  | Coffee .....    | A45C 11/20 |
|           |     |         |                 | 312/298    |
| D416,447  | S * | 11/1999 | Levy .....      | D7/605     |
| 6,474,097 | B2  | 11/2002 | Treppedi et al. |            |
| D494,021  | S * | 8/2004  | Huthmaker ..... | D7/605     |
| D497,517  | S   | 10/2004 | Reuter          |            |
| D500,057  | S   | 12/2004 | Reuter          |            |
| D527,225  | S * | 8/2006  | Krieger .....   | D7/605     |
| 7,143,601 | B1  | 12/2006 | Jimenez         |            |
| D534,771  | S   | 1/2007  | Zorn            |            |
| 7,415,794 | B1  | 8/2008  | Thompson        |            |
| 7,913,849 | B2  | 3/2011  | Pedrazzi et al. |            |
| 8,104,800 | B2  | 1/2012  | Lorek           |            |
| 8,312,816 | B2  | 11/2012 | Vaccarella      |            |
| D712,720  | S   | 9/2014  | Seiders         |            |
| D712,721  | S   | 9/2014  | Seiders         |            |
| D712,722  | S   | 9/2014  | Seiders         |            |
| D712,723  | S   | 9/2014  | Seiders         |            |
| D714,125  | S   | 9/2014  | Seiders         |            |
| 8,910,819 | B2  | 12/2014 | Seiders         |            |
| D722,474  | S   | 2/2015  | Seiders         |            |
| D722,475  | S   | 2/2015  | Seiders         |            |
| D732,348  | S   | 6/2015  | Seiders et al.  |            |
| D732,349  | S   | 6/2015  | Seiders et al.  |            |
| D732,350  | S   | 6/2015  | Seiders et al.  |            |
| D732,899  | S   | 6/2015  | Seiders et al.  |            |
| 9,139,352 | B2  | 9/2015  | Seiders et al.  |            |
| 9,163,871 | B1  | 10/2015 | Costello        |            |
| 9,187,232 | B2  | 11/2015 | Seiders         |            |
| 9,220,250 | B1  | 12/2015 | Davis           |            |
| 9,232,290 | B2  | 1/2016  | Besay           |            |
| D752,347  | S   | 3/2016  | Seiders et al.  |            |

FOREIGN PATENT DOCUMENTS

|    |                |        |
|----|----------------|--------|
| AU | 201712802      | 5/2017 |
| AU | 201712803      | 5/2017 |
| EM | 004006476-0001 | 5/2017 |
| EM | 004006476-0002 | 5/2017 |
| EM | 004006476-0003 | 5/2017 |
| EM | 004007706-0001 | 5/2017 |
| EM | 004007706-0002 | 5/2017 |

OTHER PUBLICATIONS

Australian Patent Application No. AU201716791 filed Nov. 8, 2017.  
Dometic CF Portable Coolers, Dometic Product Catalog 2016.  
Dometic RV Refrigeration, Portable Freezers/Refrigerators, Dometic Product Catalog 2015.  
Chinese Design Patent Application No. 201730180150 entitled "Latch" filed May 16, 2017.  
Chinese Design Patent Application No. 201730180148.2 entitled "Refrigerating Apparatus" filed May 16, 2017.  
European Design Patent Application No. 003482694 entitled "Cooler" filed Nov. 25, 2016.  
Thailand Design Patent Application No. 1702001859 entitled "Cooler" filed May 22, 2017.  
Design U.S. Appl. No. 29/605,186 entitled Refrigerating Apparatus filed May 24, 2017.  
Design U.S. Appl. No. 29/585,272 entitled "Cooler" filed Nov. 22, 2016.  
Design U.S. Appl. No. 29/604,424 entitled Cooler filed May 17, 2017.  
Design U.S. Appl. No. 29/585,279 entitled "Latch" filed Nov. 22, 2016.

\* cited by examiner

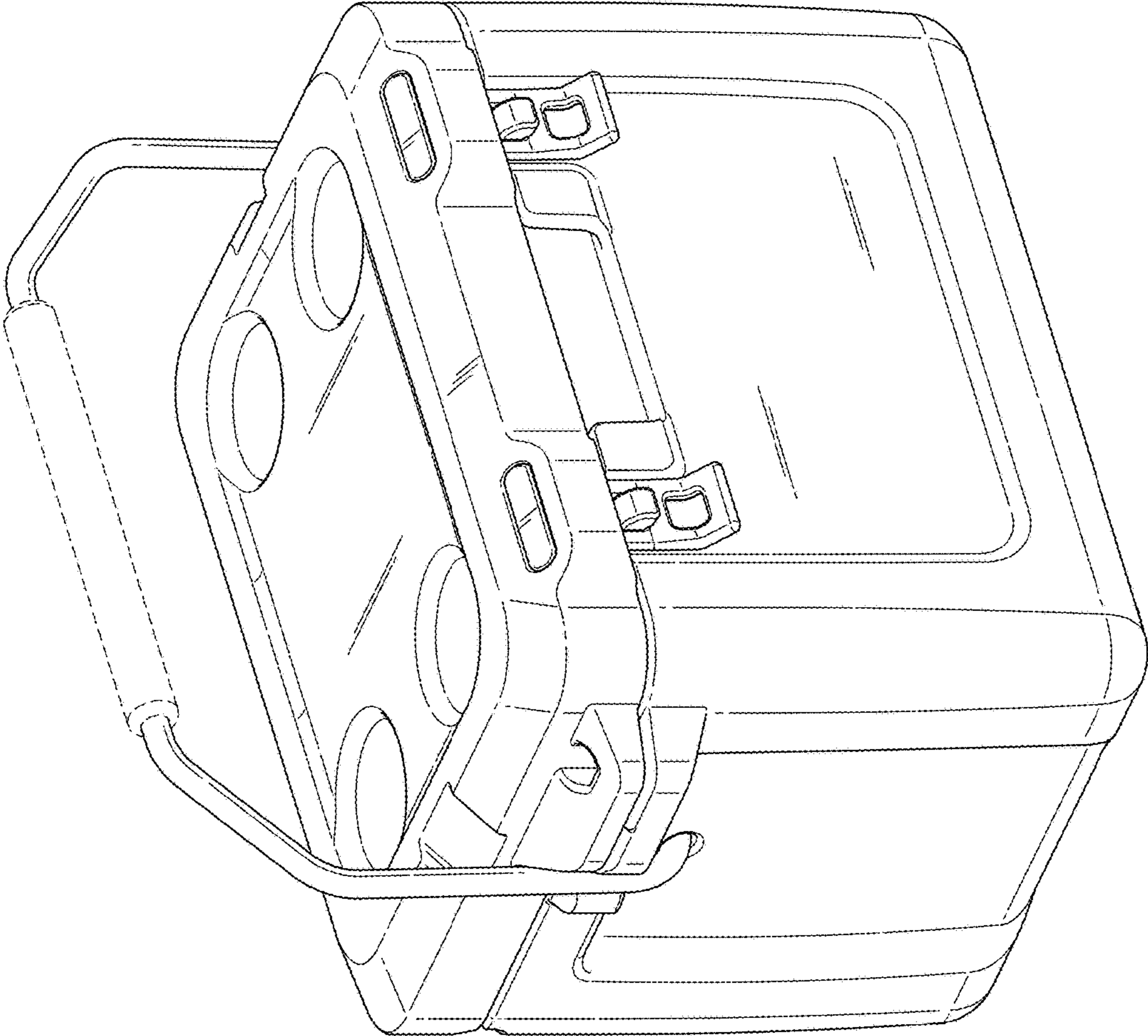


FIG. 1

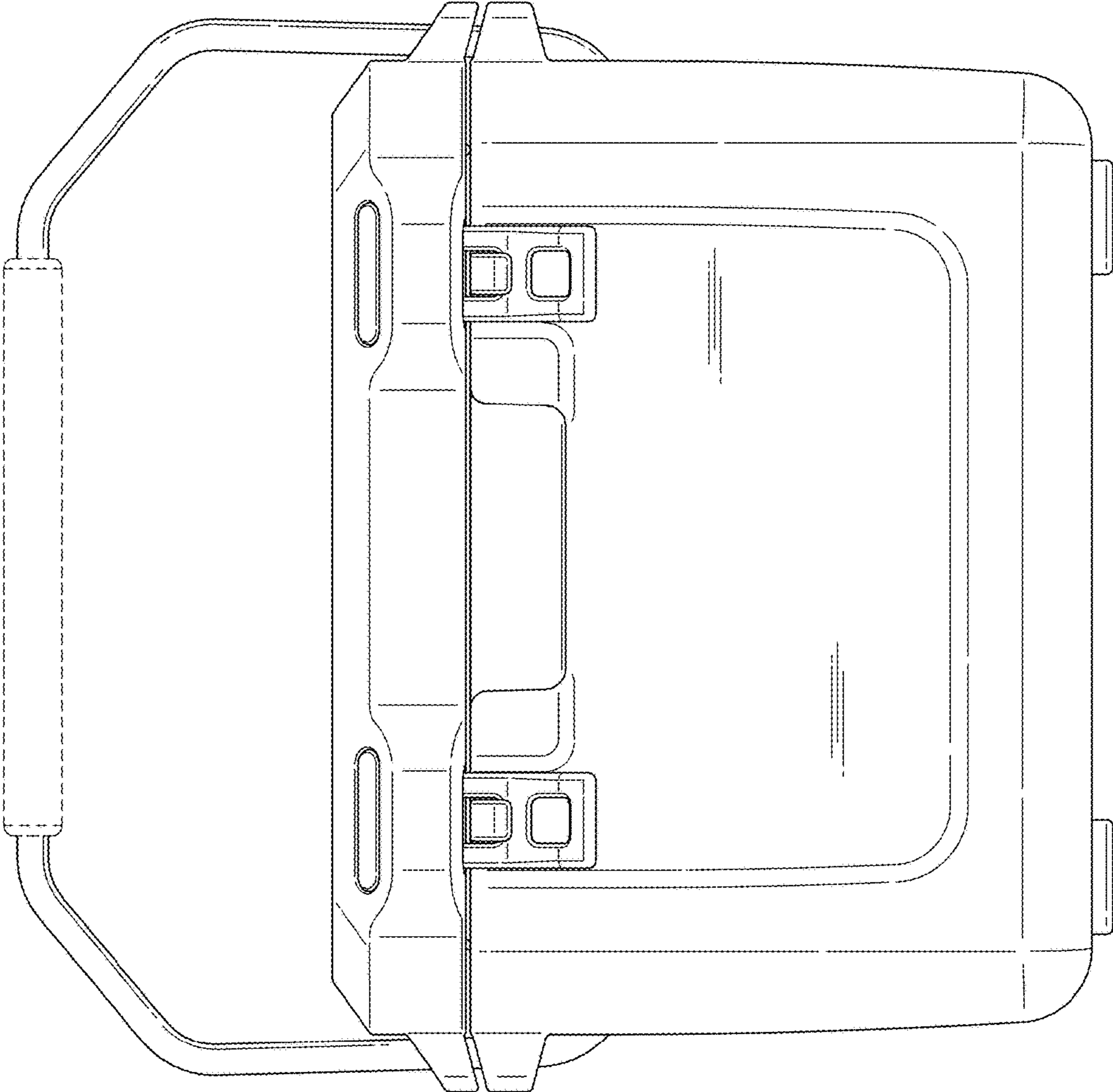


FIG. 2

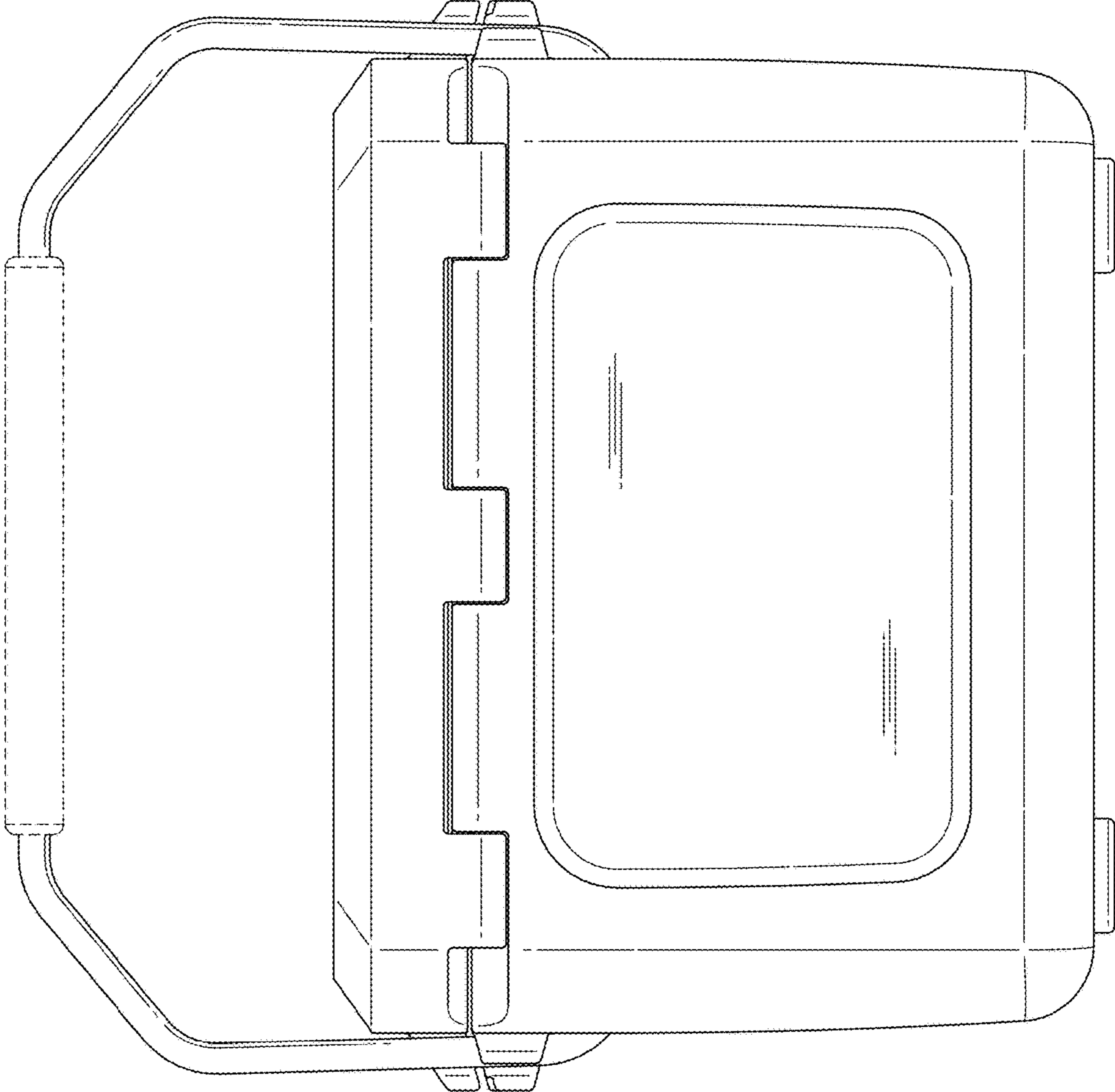


FIG. 3

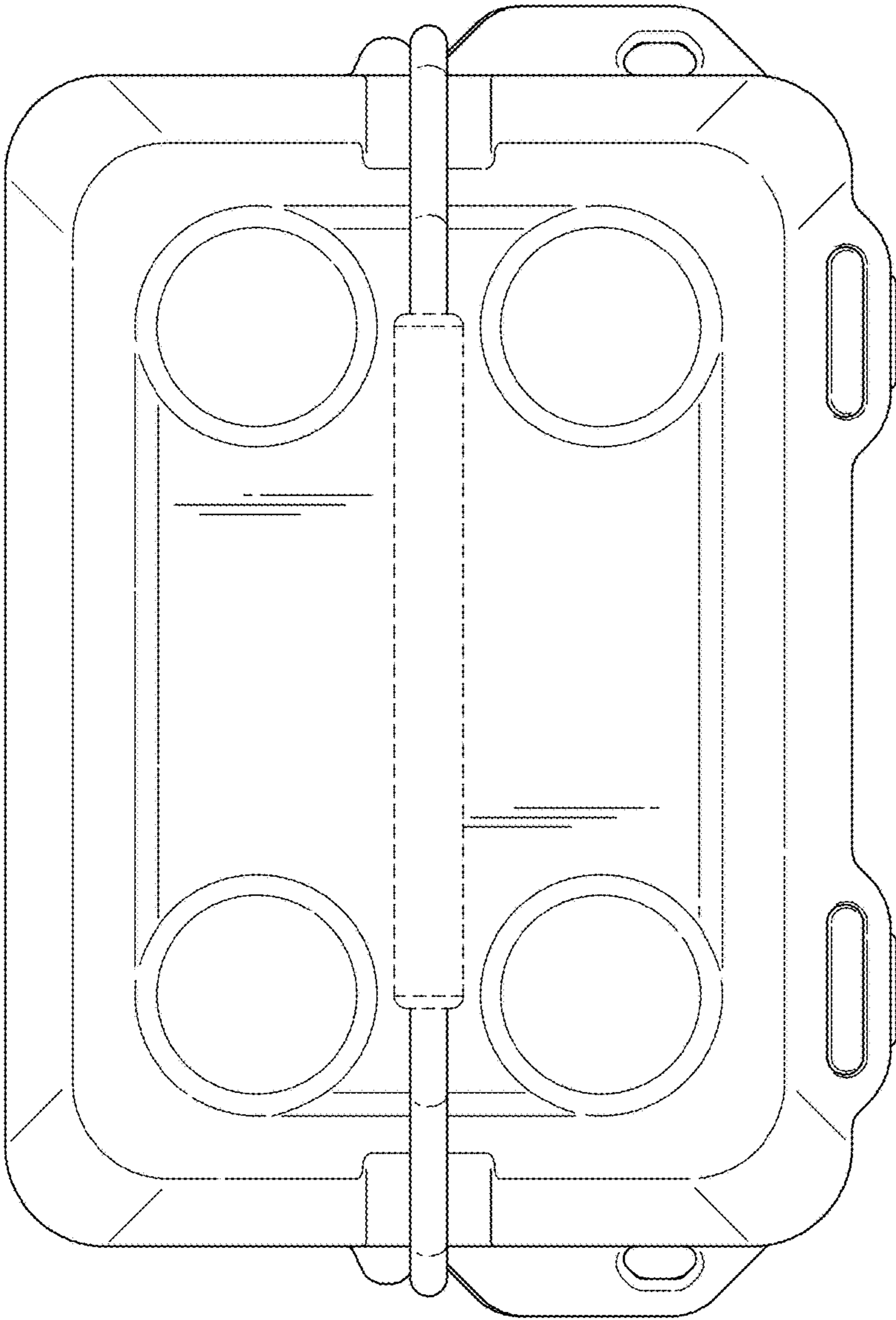


FIG. 4

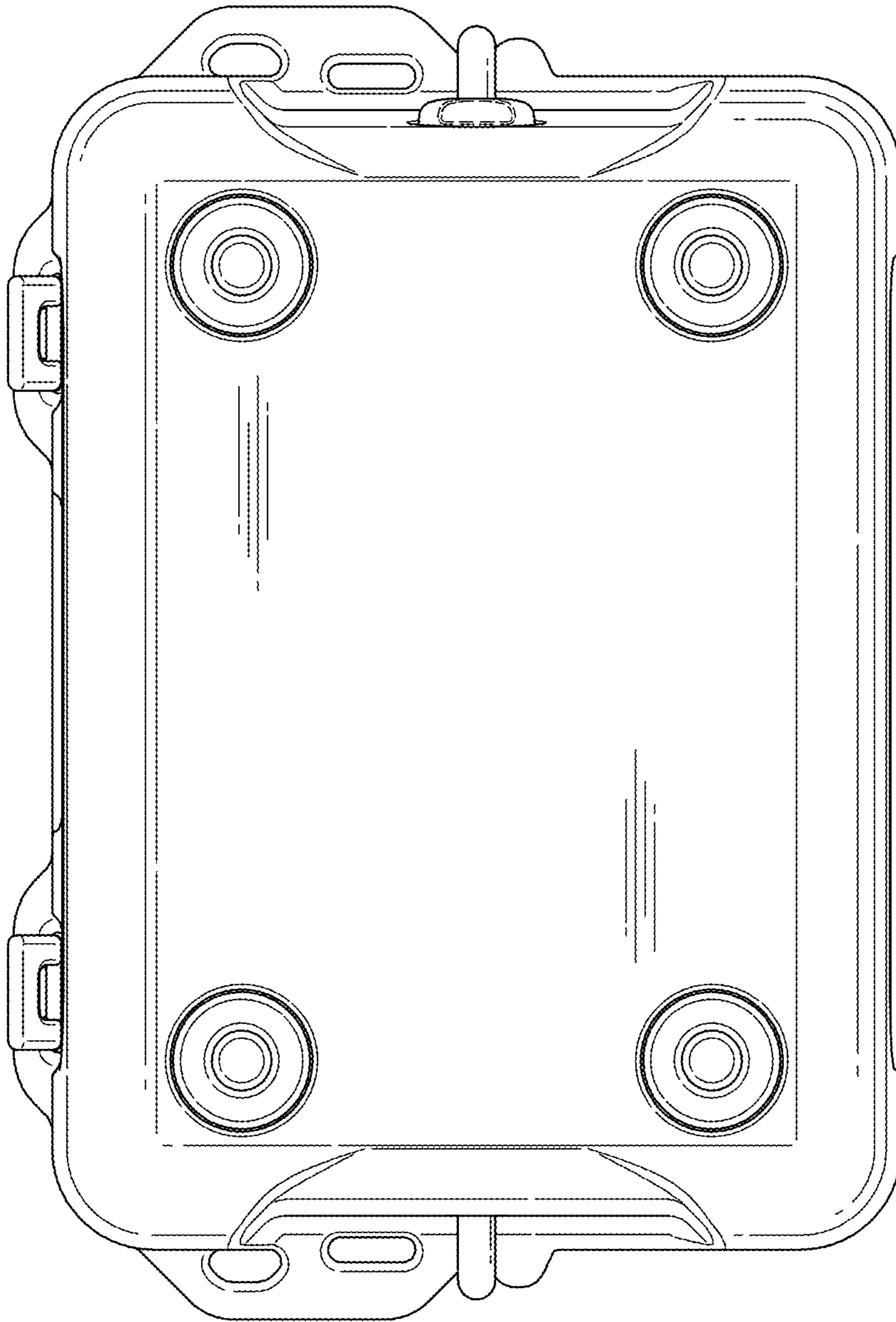


FIG. 5

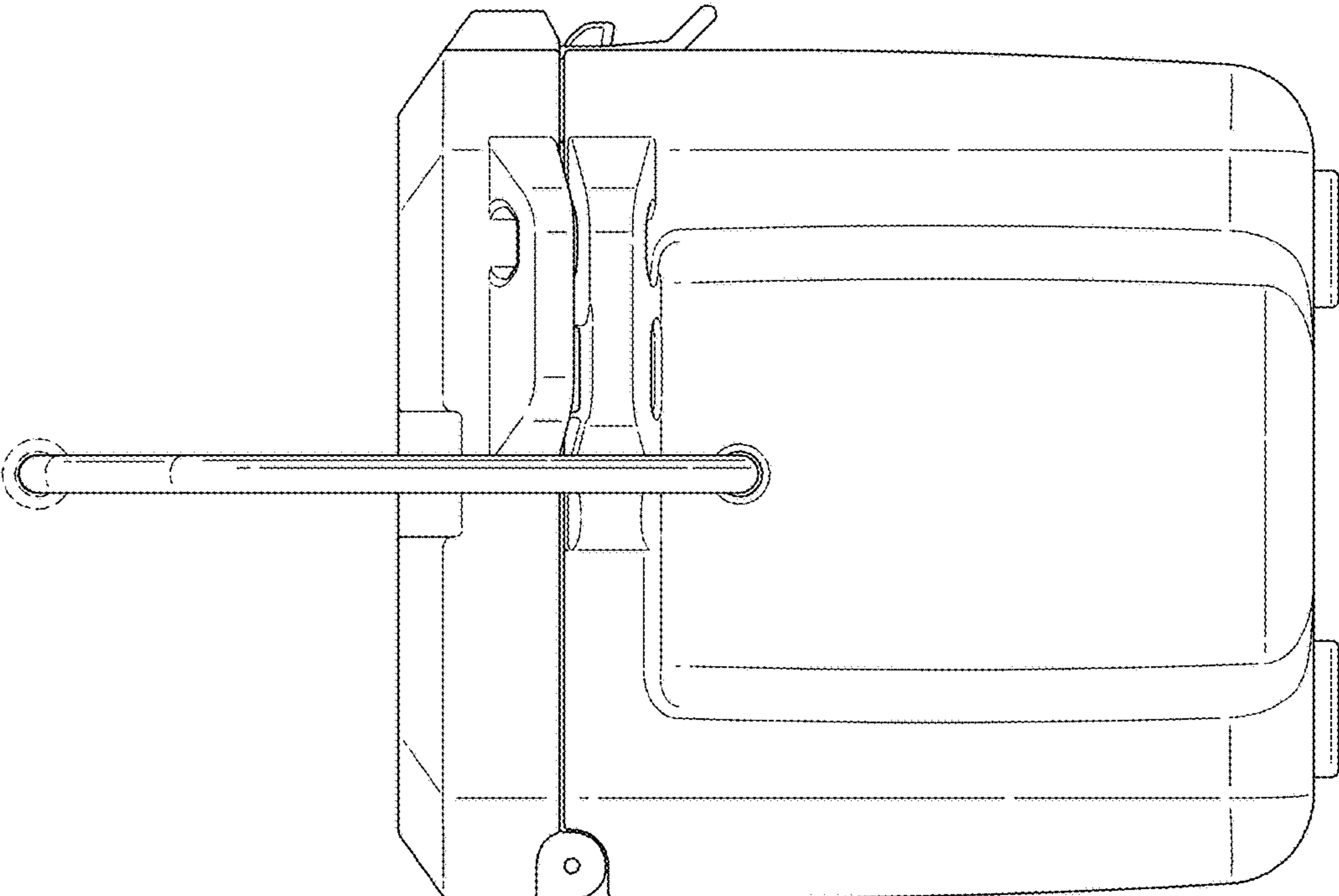


FIG. 6



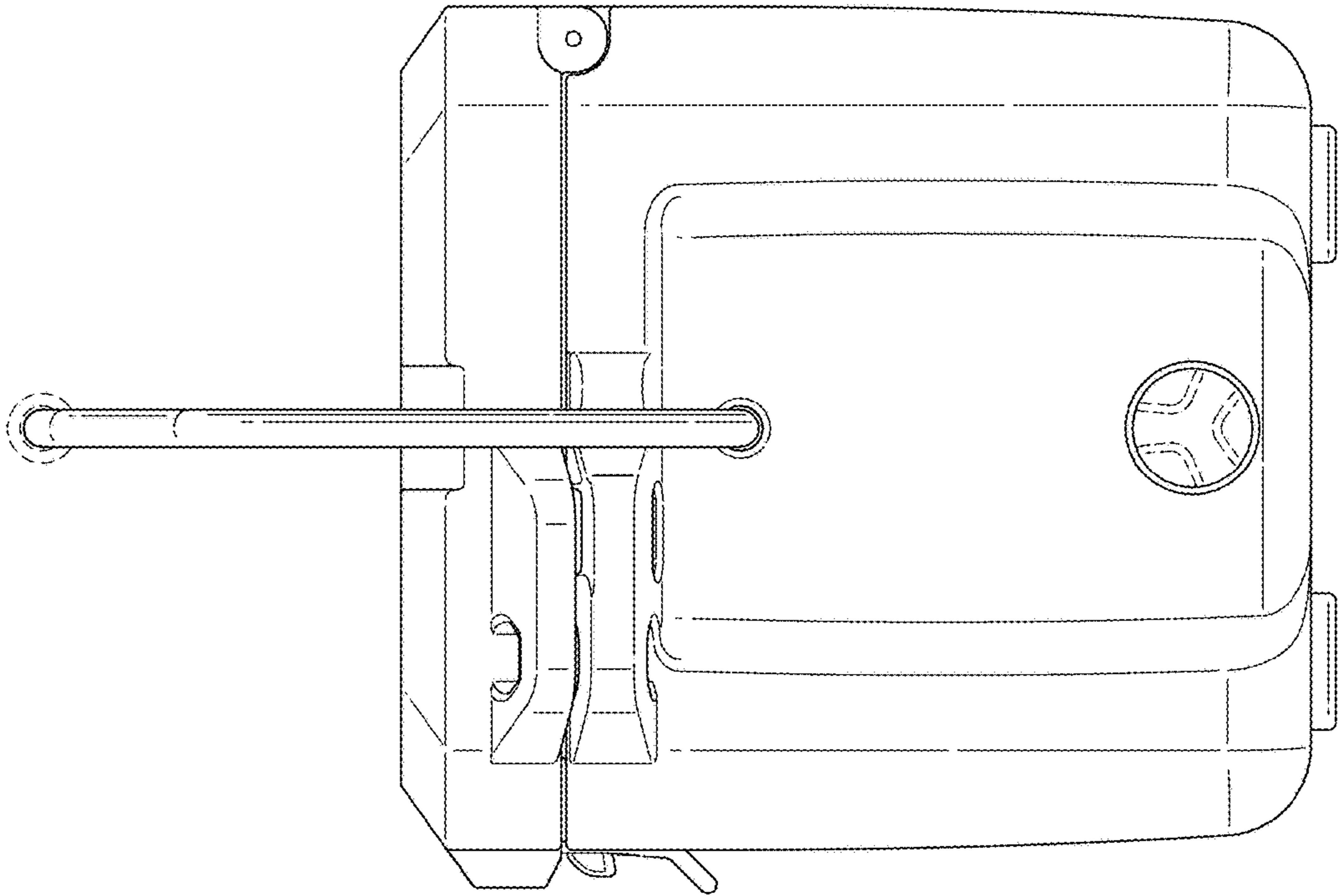


FIG. 7

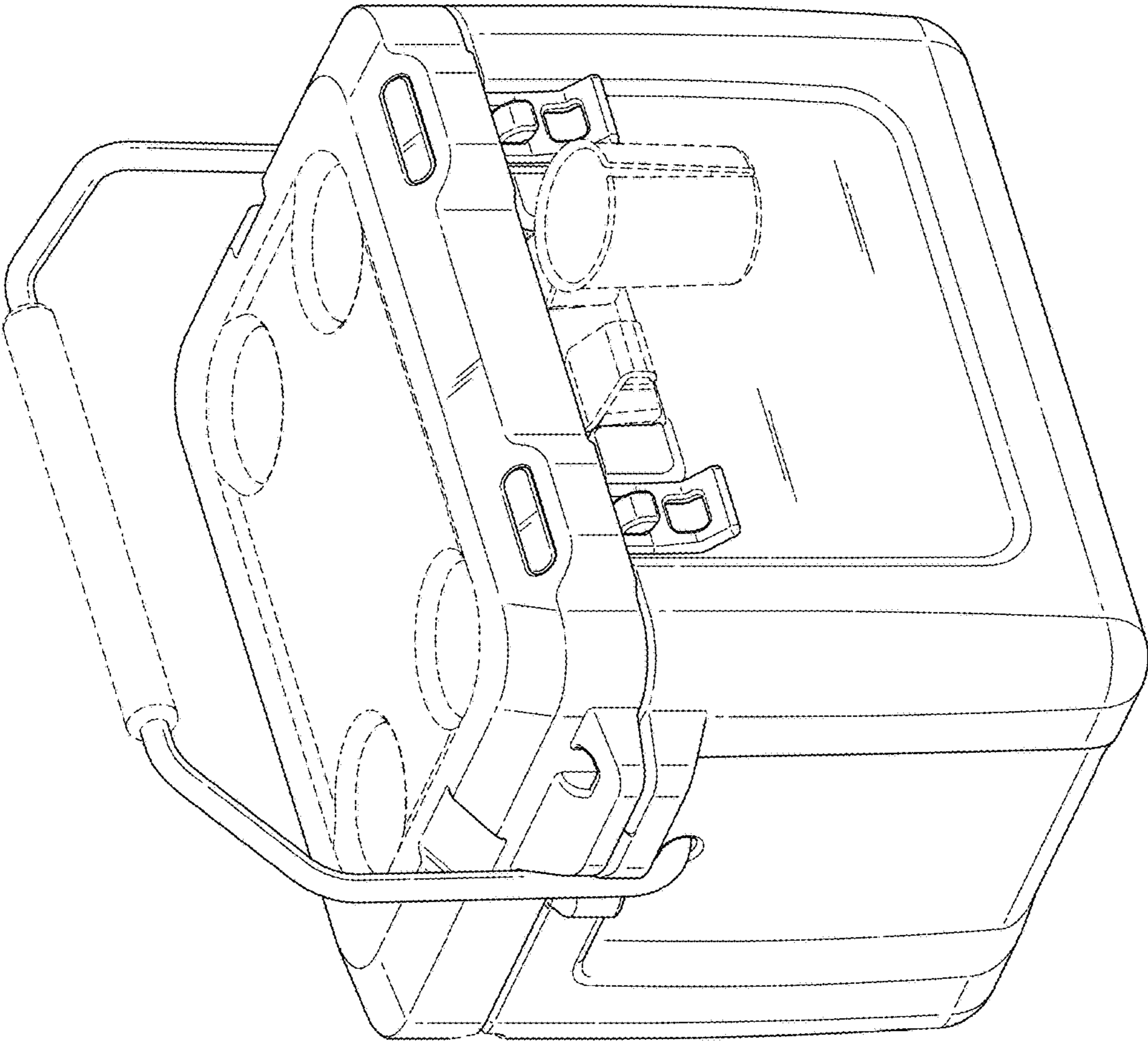


FIG. 8

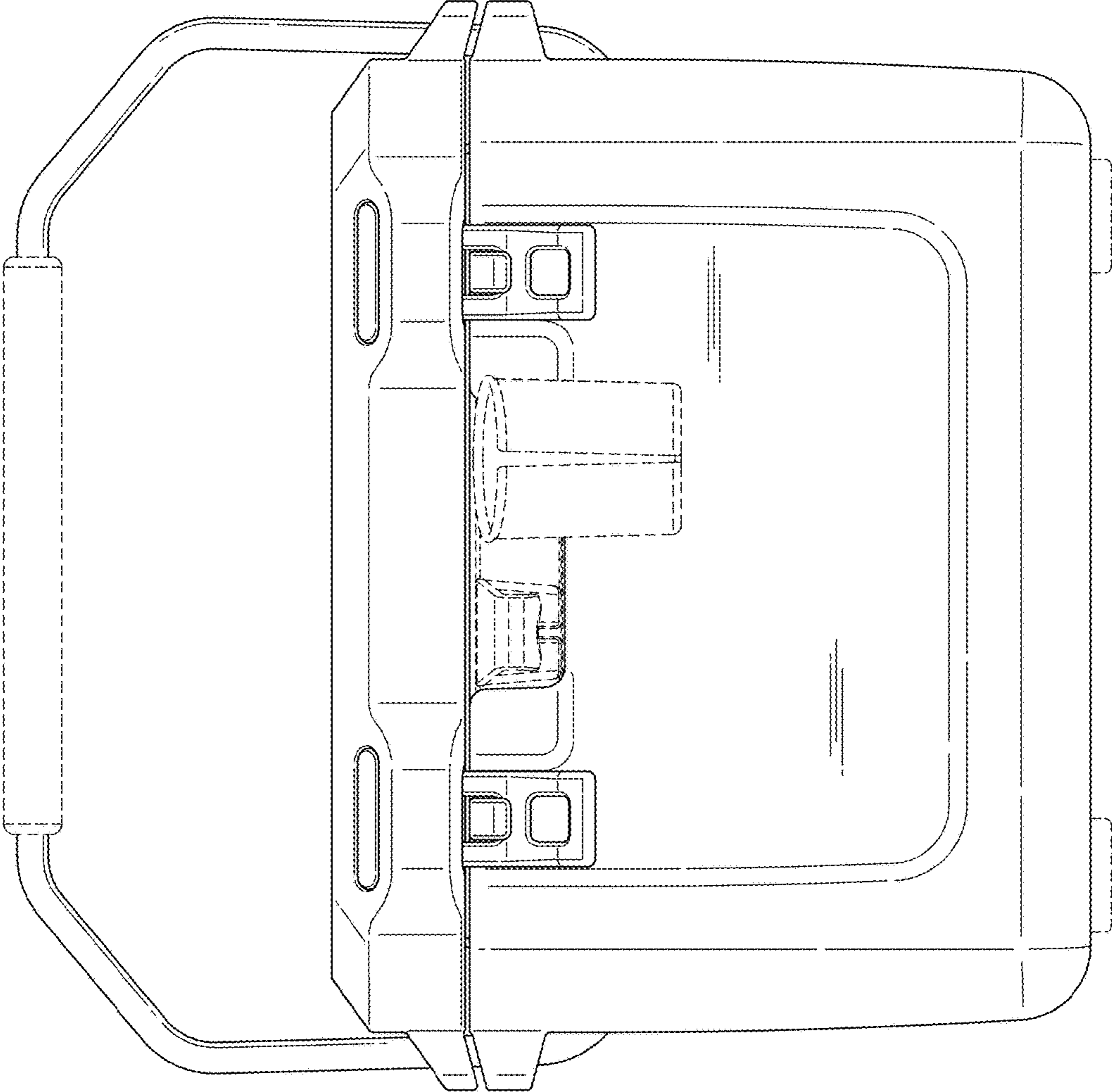


FIG. 9

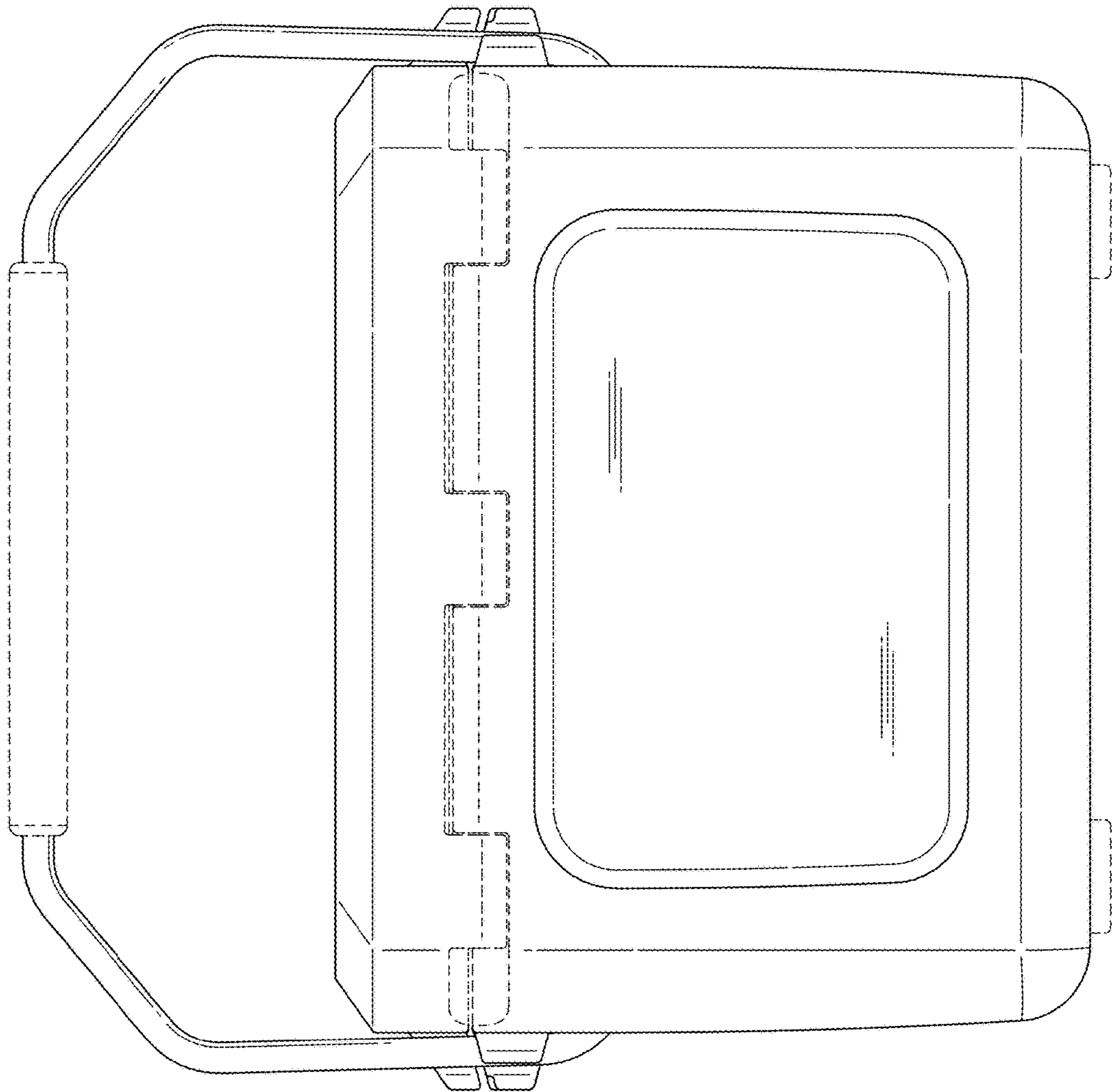


FIG. 10

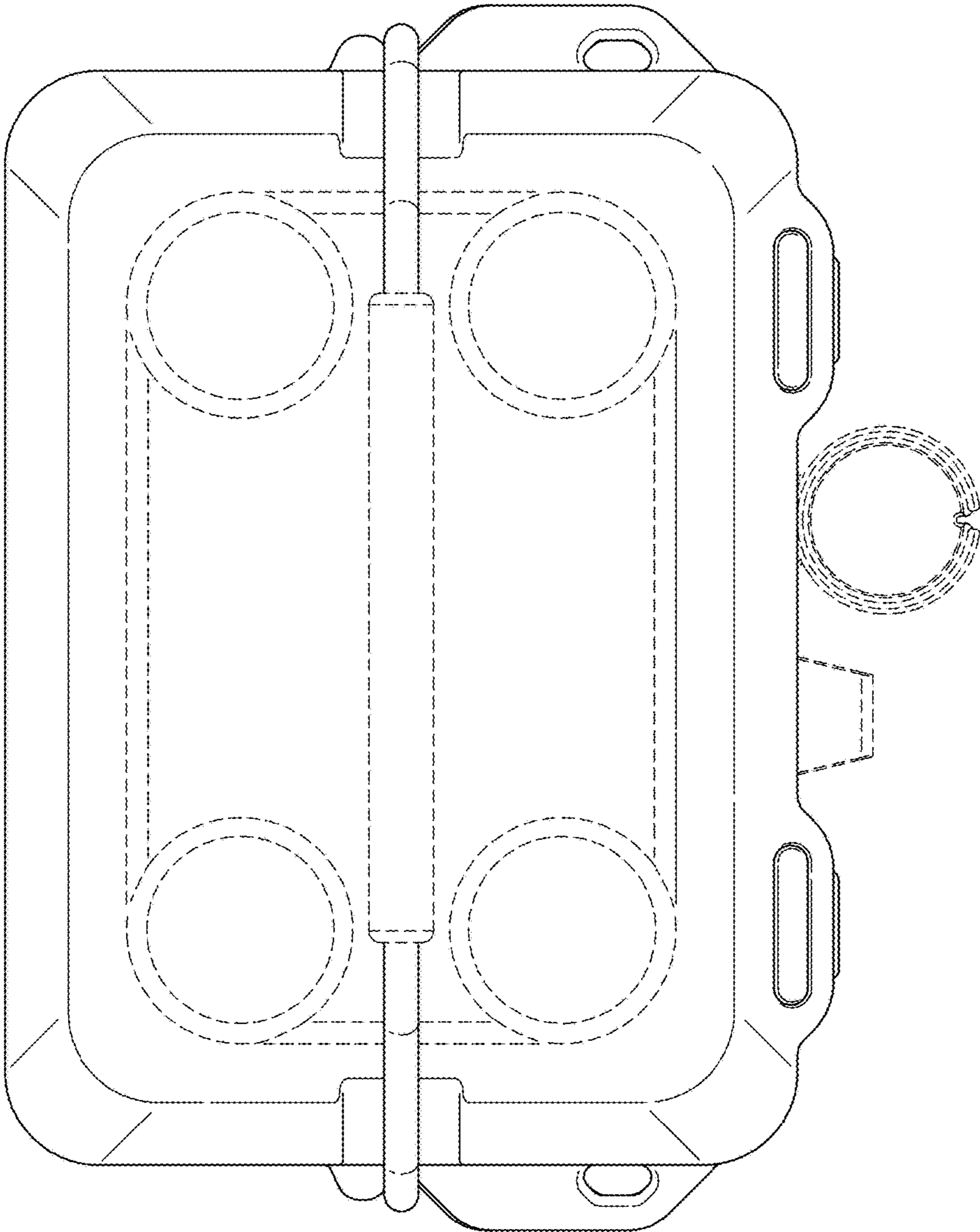


FIG. 11

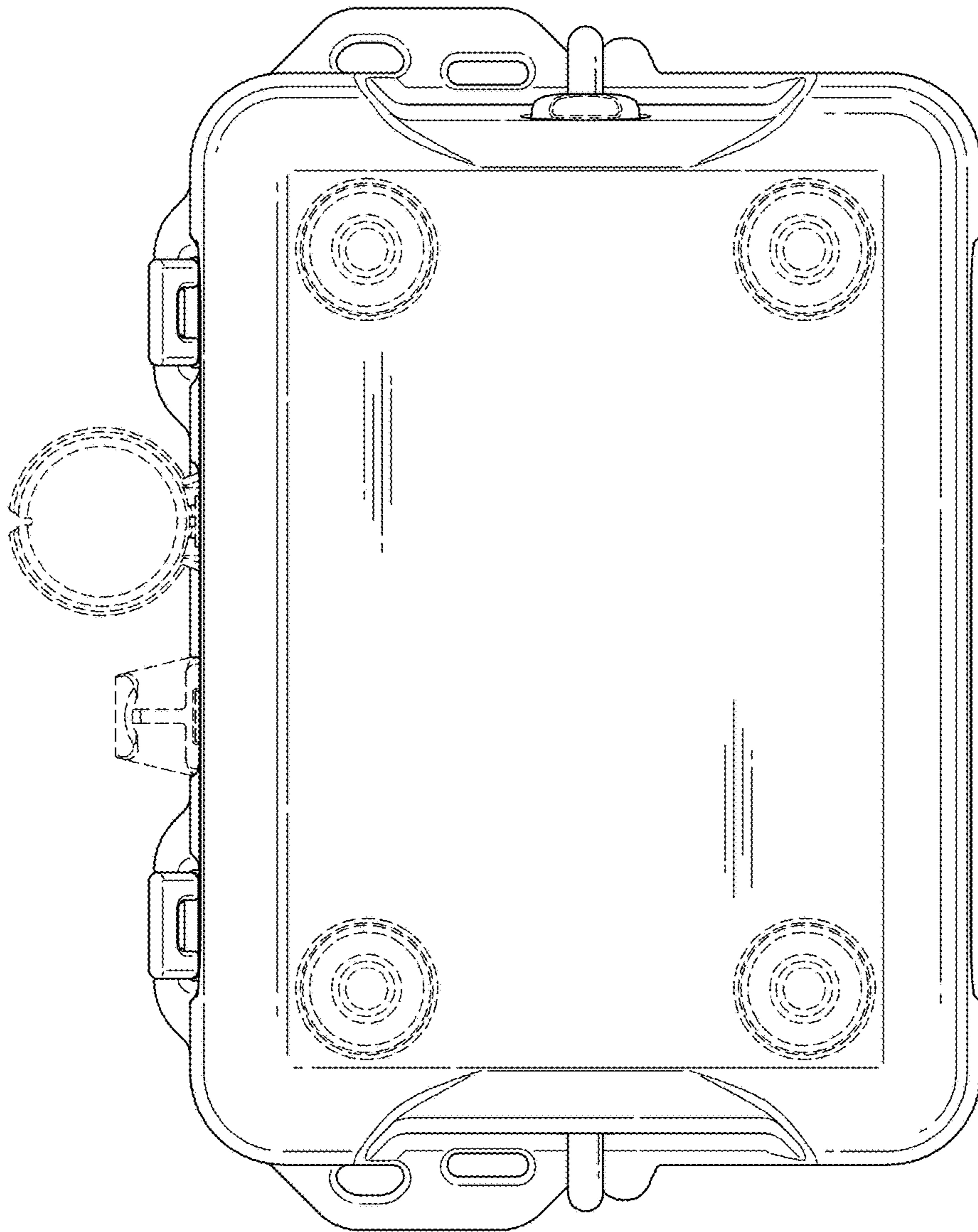


FIG. 12

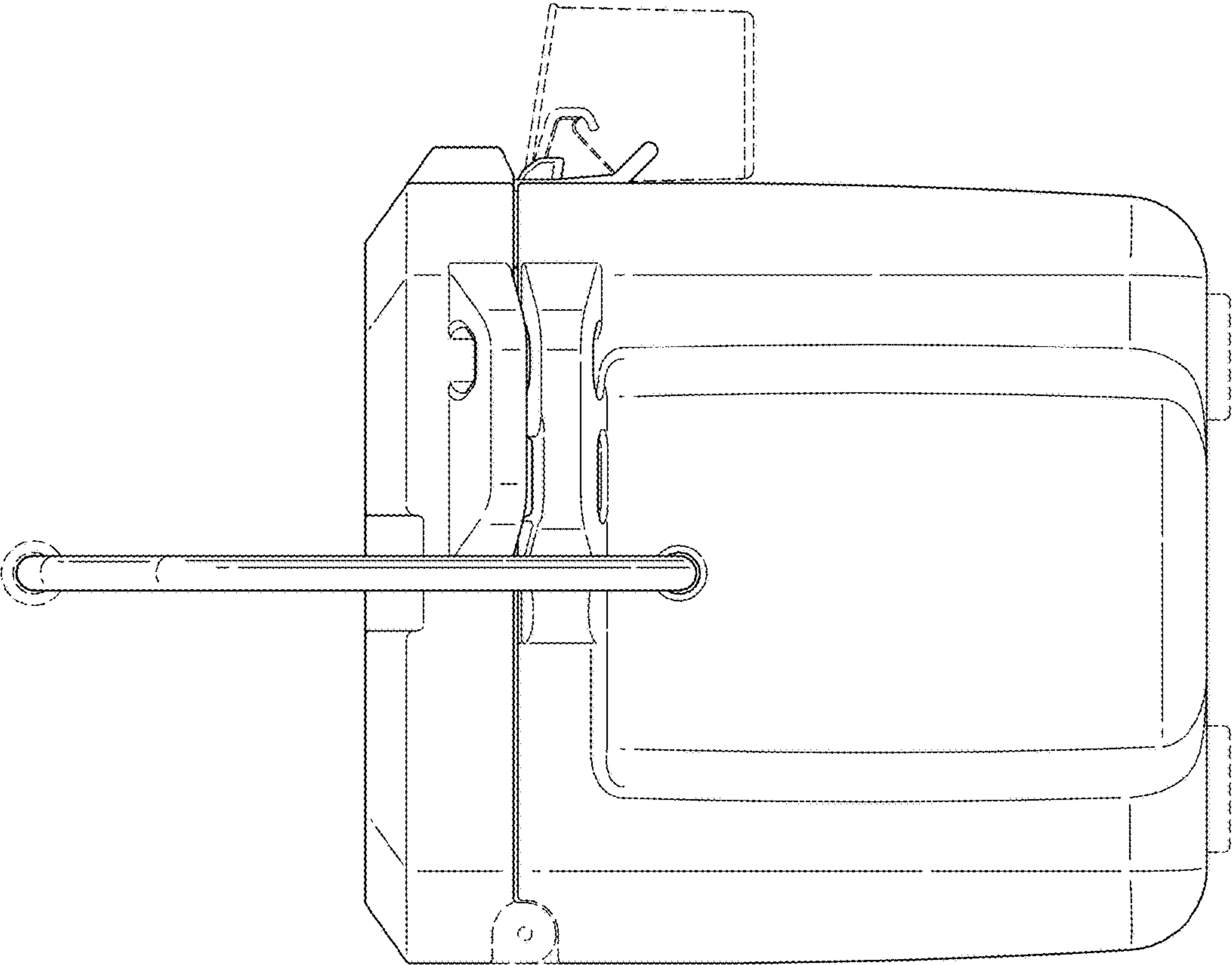


FIG. 13

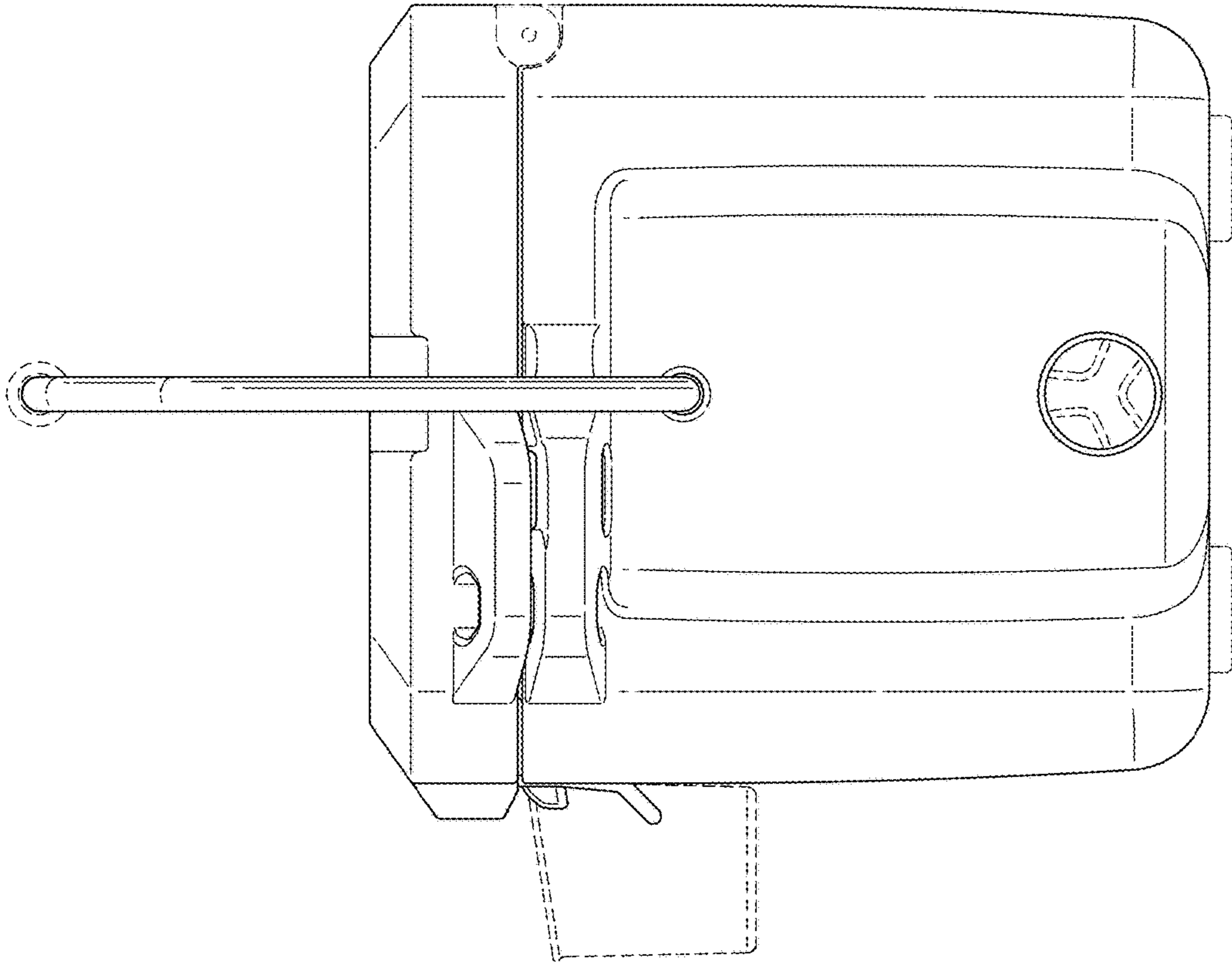


FIG. 14



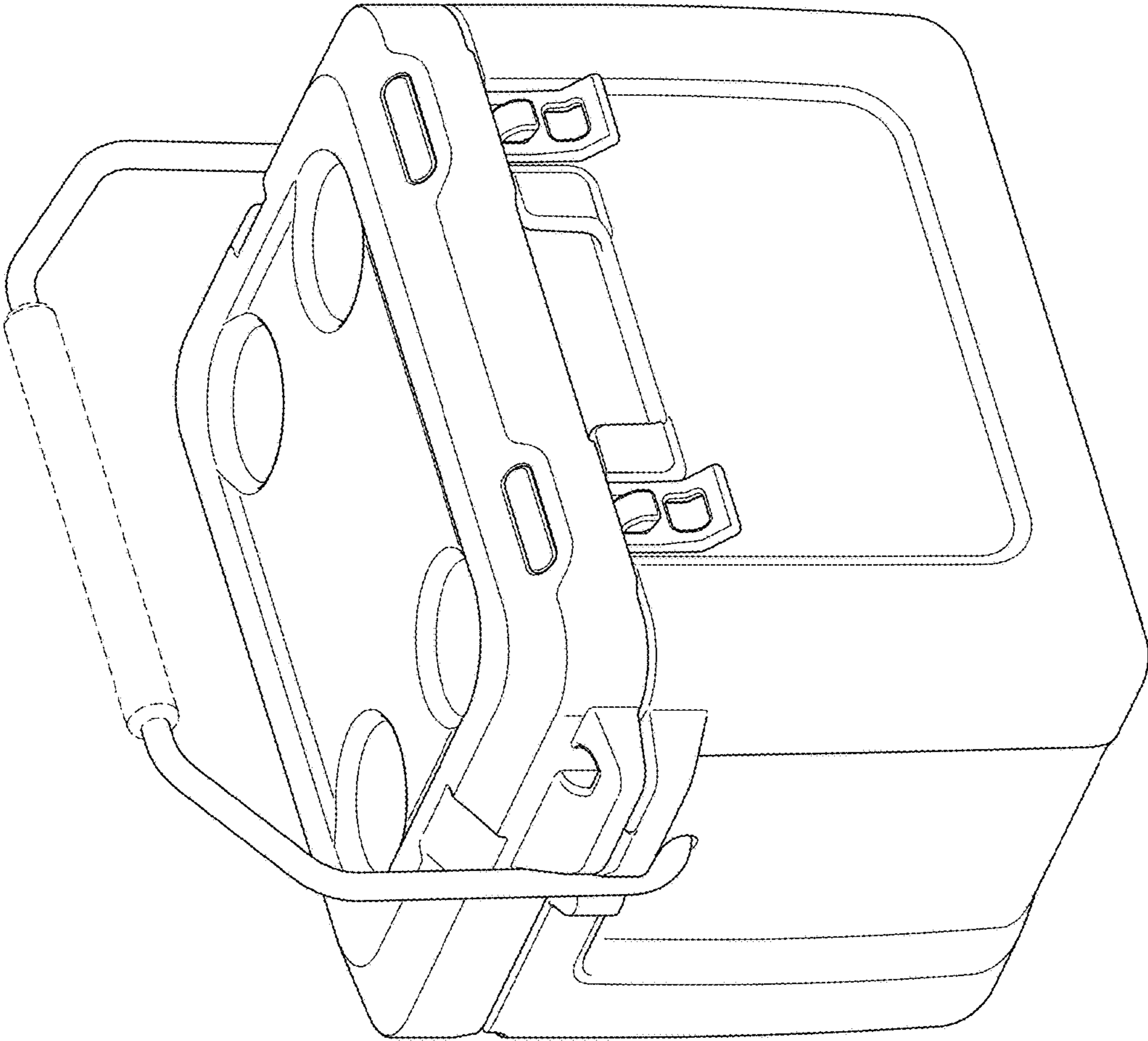


FIG. 15

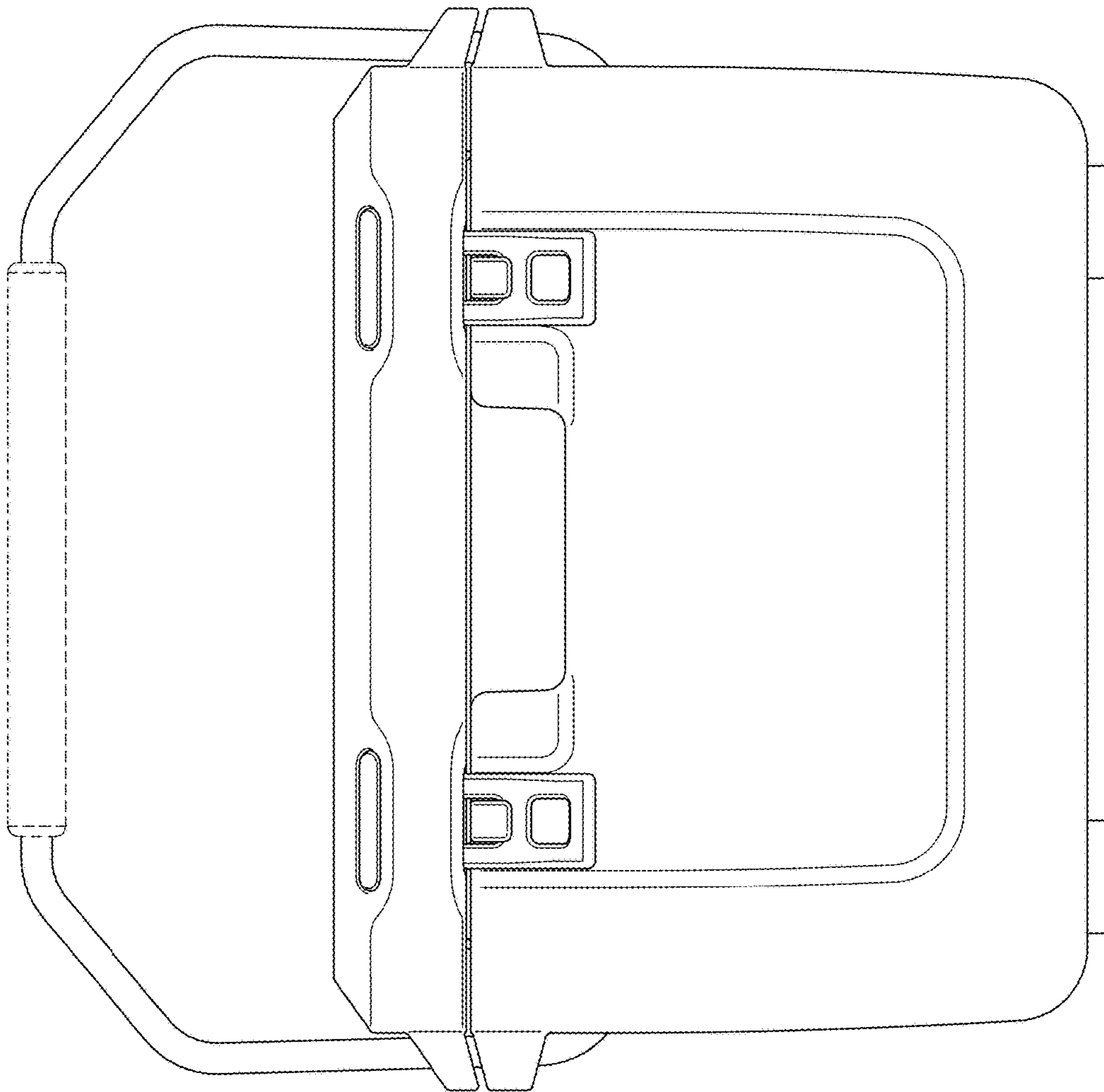


FIG. 16

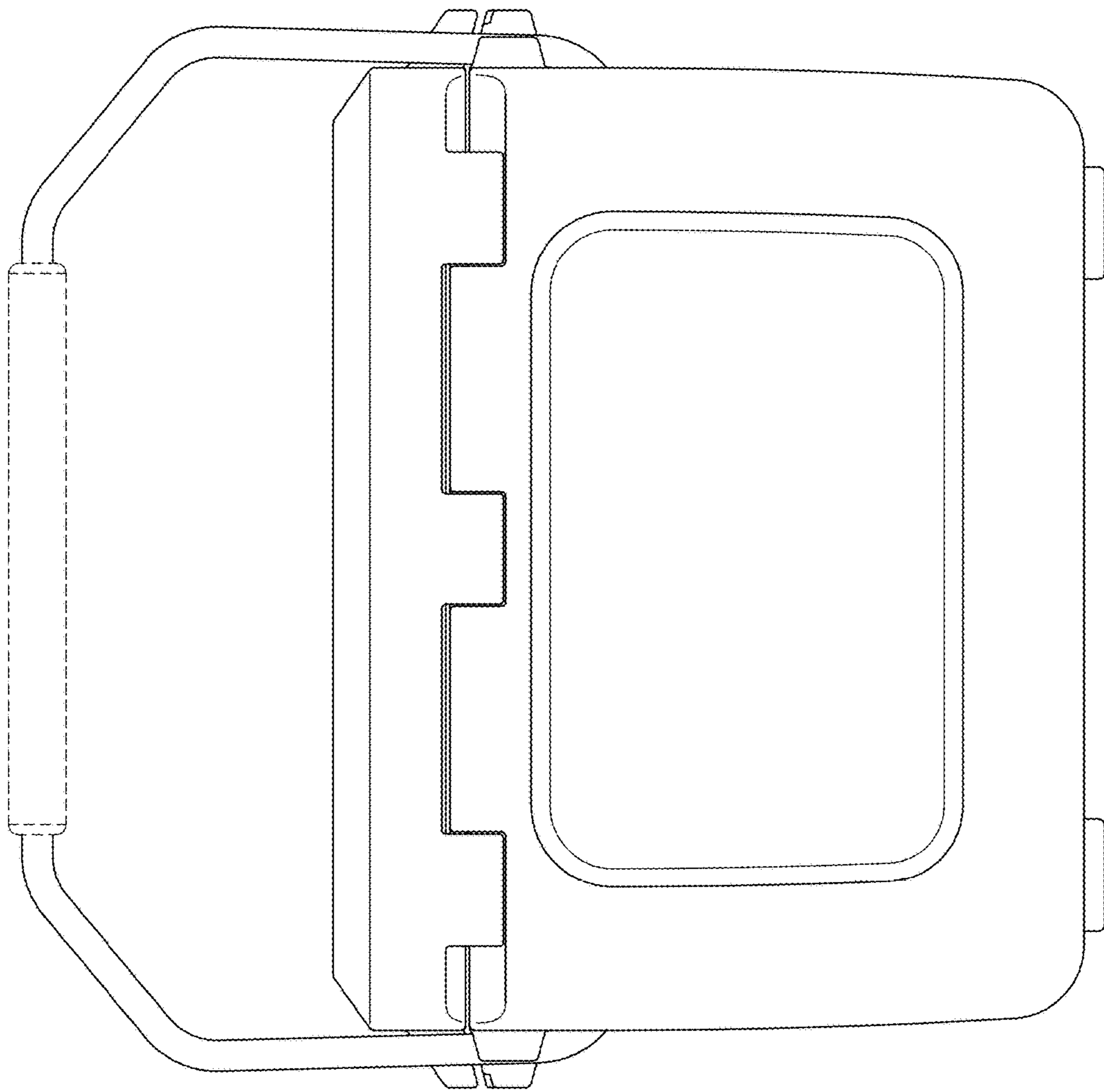


FIG. 17

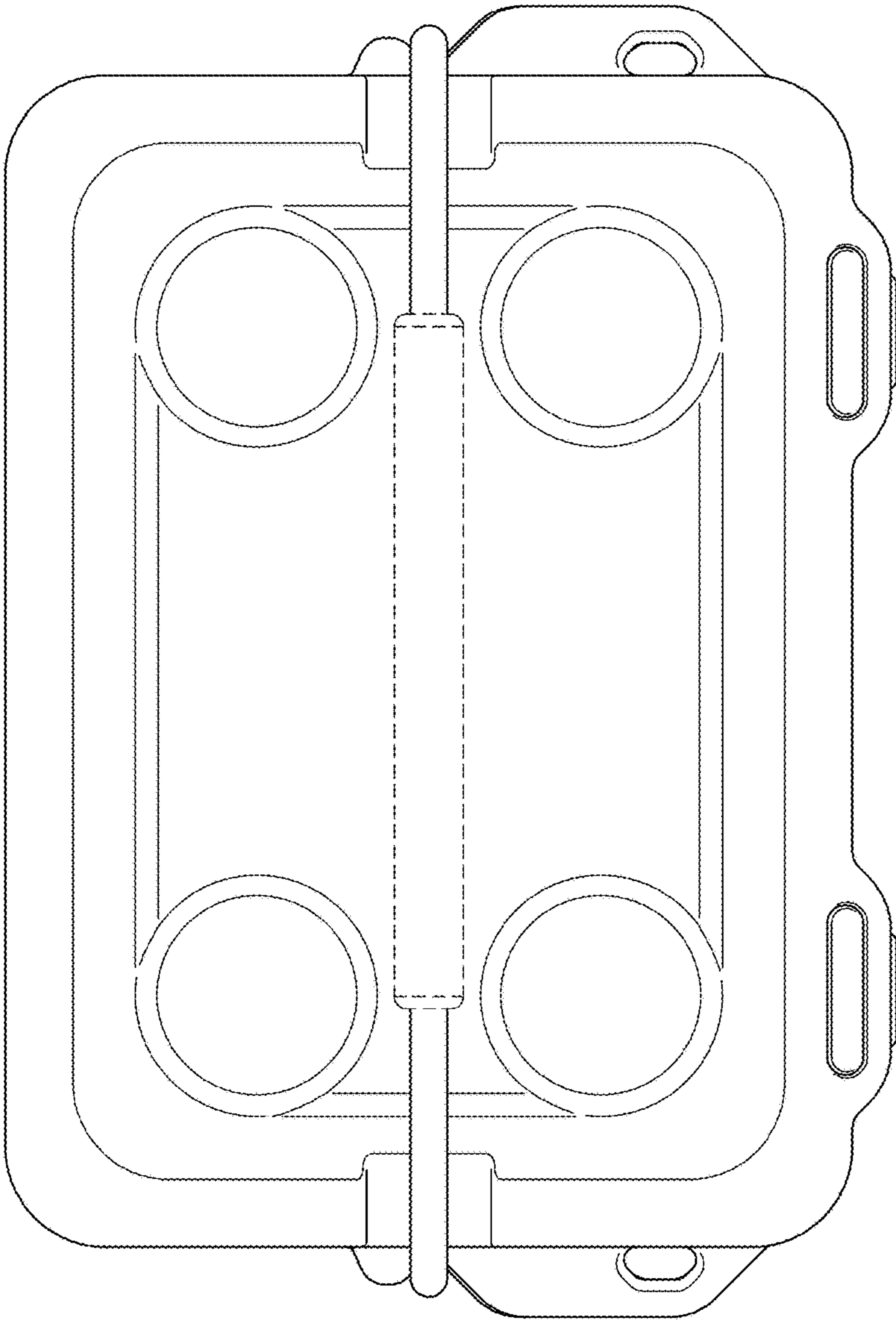


FIG. 18

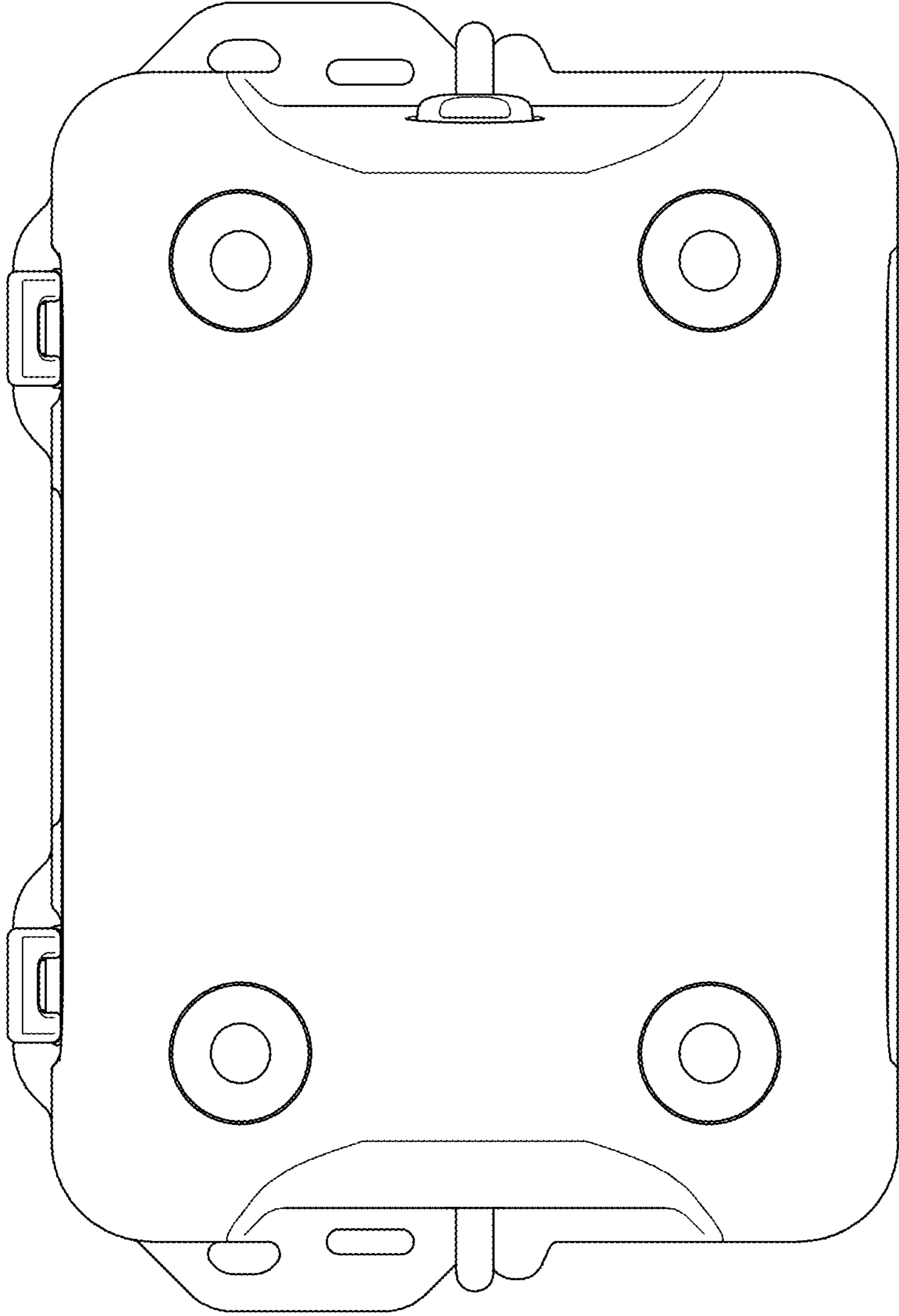


FIG. 19

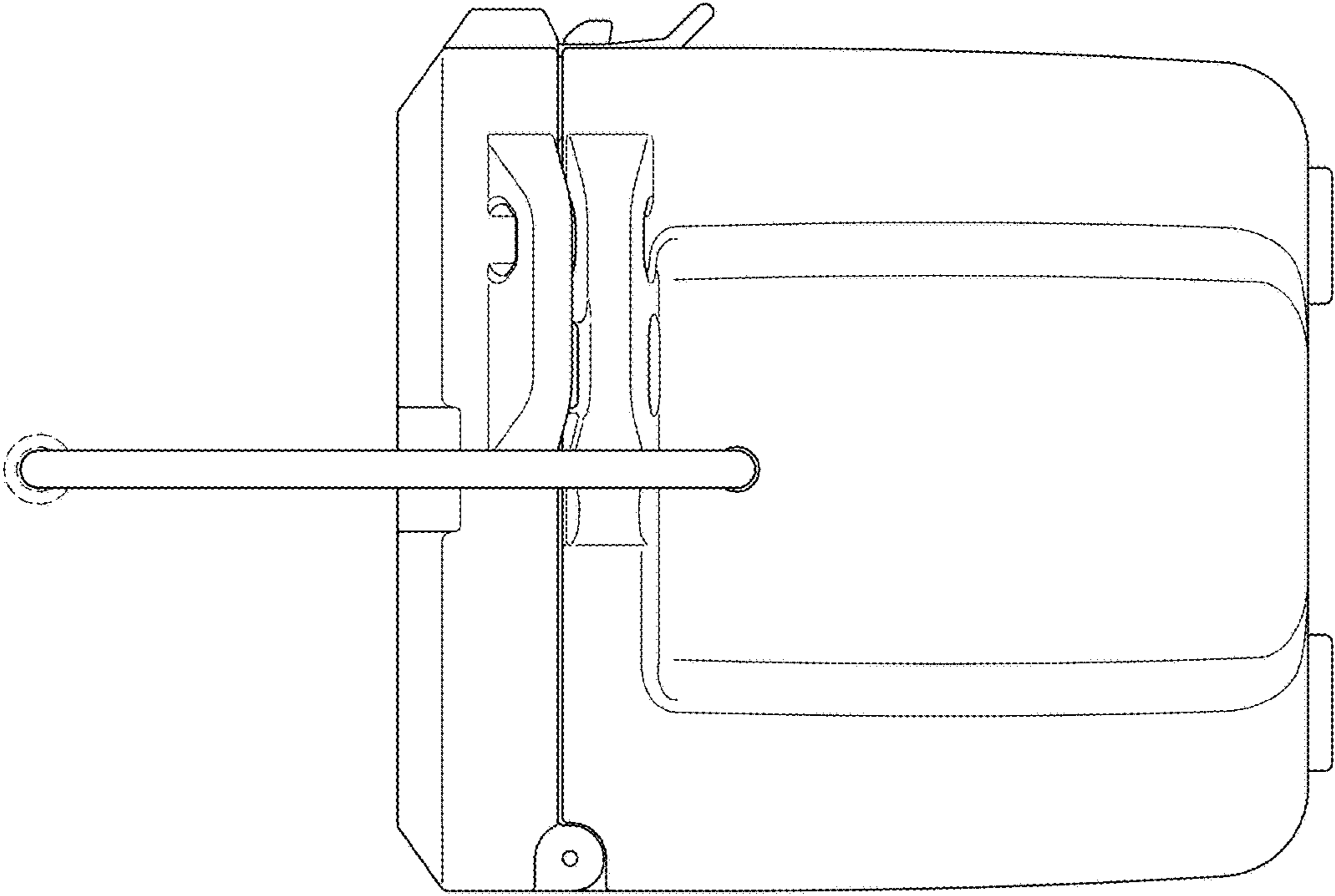


FIG. 20

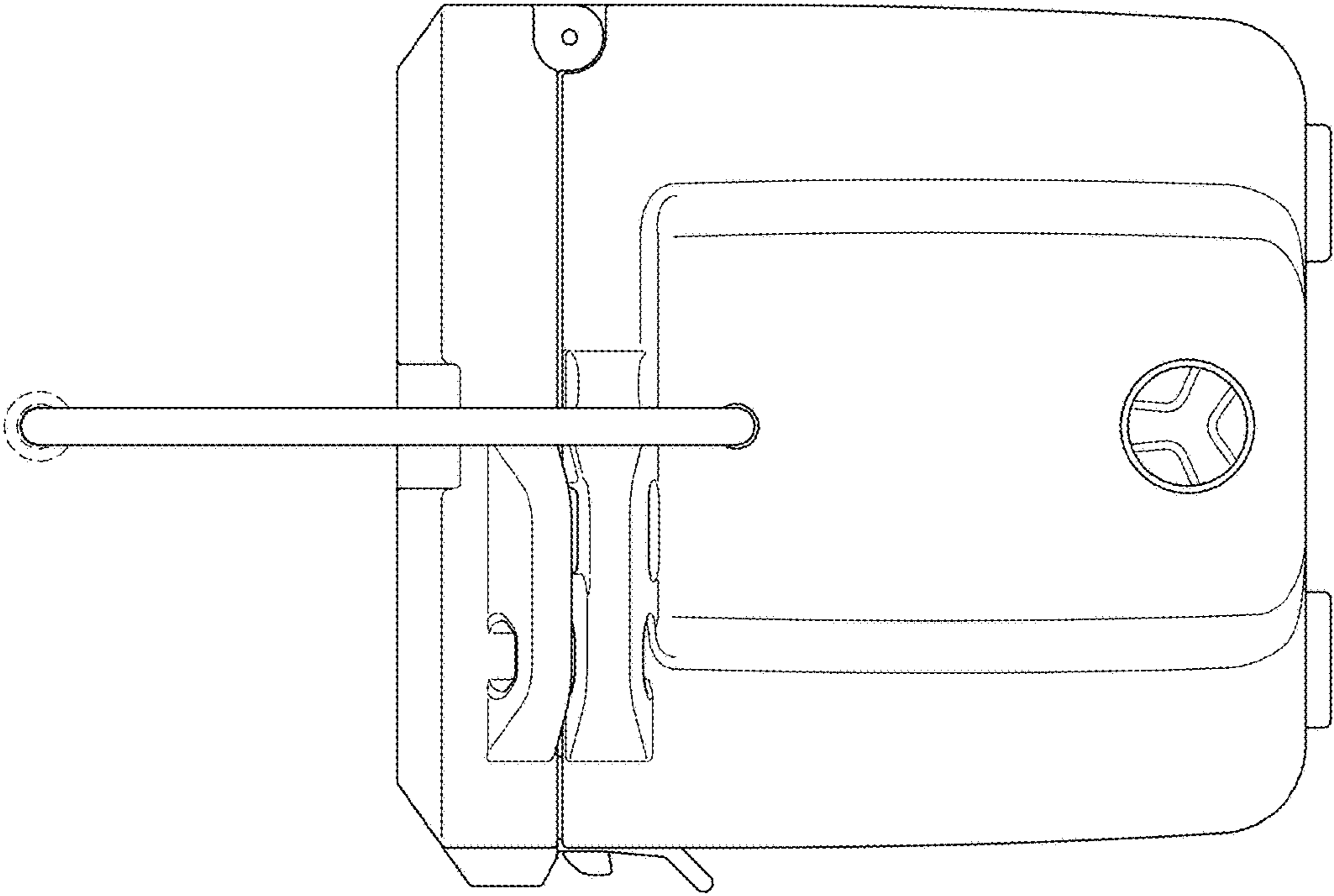


FIG. 21