



US00D836993S

(12) **United States Design Patent** (10) **Patent No.:** **US D836,993 S**
Meda et al. (45) **Date of Patent:** **** Jan. 1, 2019**

(54) **COOLER**

(71) Applicant: **Dometic Sweden AB**, Solna (SE)

(72) Inventors: **Samuele Meda**, Solna (SE); **Joakim Ahlström**, Täby (SE)

(73) Assignee: **Dometic Sweden AB**, Solna (SE)

(**) Term: **15 Years**

(21) Appl. No.: **29/604,424**

(22) Filed: **May 17, 2017**

(51) **LOC (11) Cl.** **07-01**

(52) **U.S. Cl.**
USPC **D7/605**

(58) **Field of Classification Search**
USPC D7/603–608, 629, 630; D3/272–274,
D3/201, 202–206, 203.1–203.8
(Continued)

(56) **References Cited**

U.S. PATENT DOCUMENTS

D281,695 S * 12/1985 Ryan, Jr. D7/605
D337,232 S * 7/1993 Kahl D7/605
(Continued)

FOREIGN PATENT DOCUMENTS

AU 201712770 5/2017
AU 201712799 5/2017
(Continued)

OTHER PUBLICATIONS

Australian Patent Application No. AU201716789 filed Nov. 8, 2017.
(Continued)

Primary Examiner — Terry A Wallace

(74) *Attorney, Agent, or Firm* — Middleton Reutlinger

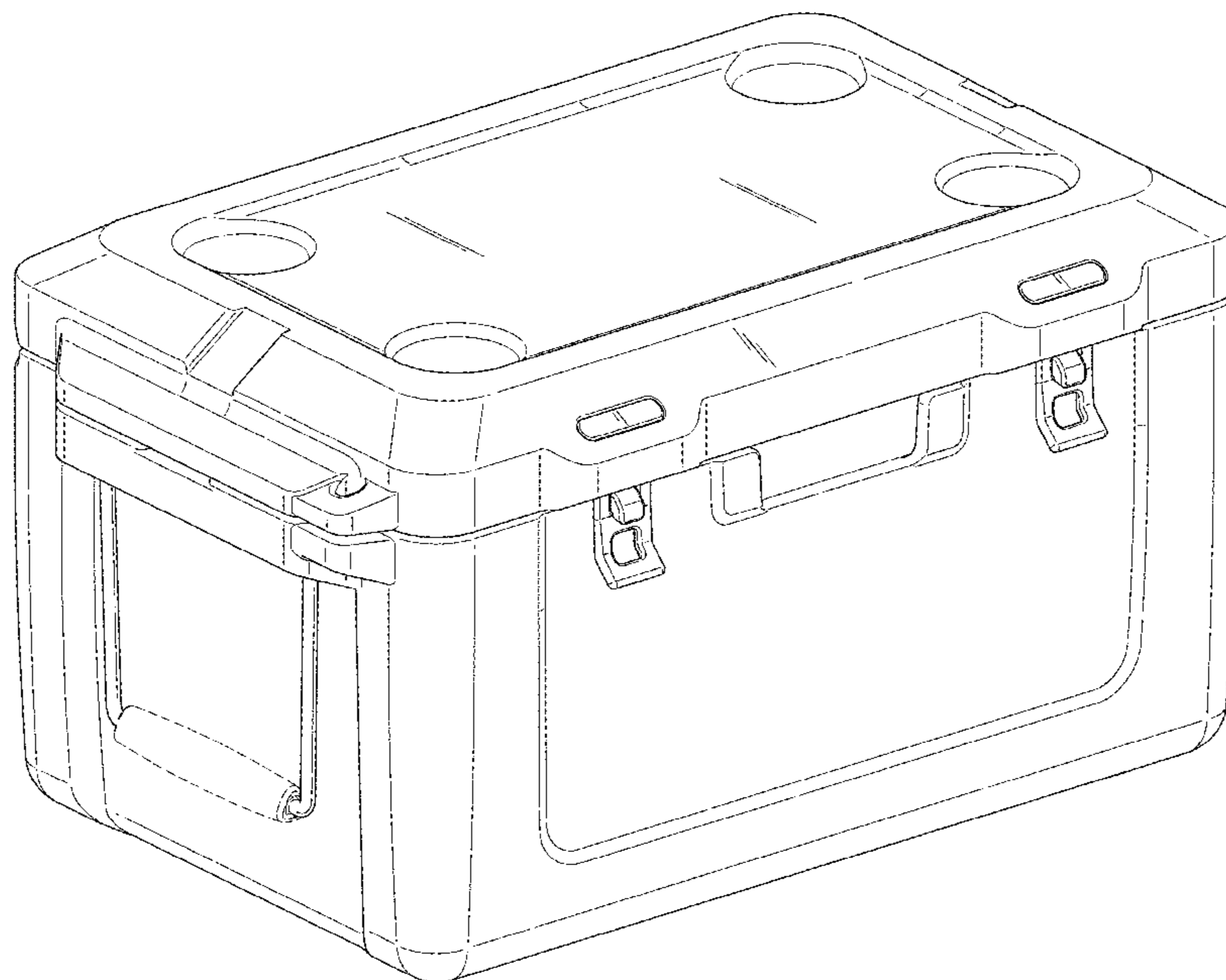
(57) **CLAIM**

The ornamental design for a cooler, as shown and described.

DESCRIPTION

FIG. 1 is a perspective view of a first design of a cooler; FIG. 2 is a front elevation view of the design of FIG. 1; FIG. 3 is a rear elevation view of the design of FIG. 1; FIG. 4 is a top plan view of the design of FIG. 1; FIG. 5 is a bottom plan view of the design of FIG. 1; FIG. 6 is a right side elevation view of the design of FIG. 1; and, FIG. 7 is a left side elevation view of the design of FIG. 1. FIG. 8 is a perspective view of a second design of a cooler; FIG. 9 is a front elevation view of the design of FIG. 8; FIG. 10 is a rear elevation view of the design of FIG. 8; FIG. 11 is a top plan view of the design of FIG. 8; FIG. 12 is a bottom plan view of the design of FIG. 8; FIG. 13 is a right side elevation view of the design of FIG. 8; and, FIG. 14 is a left side elevation view of the design of FIG. 8. FIG. 15 is a perspective view of a third design of a cooler; FIG. 16 is a front elevation view of the design of FIG. 15; FIG. 17 is a rear elevation view of the design of FIG. 15; FIG. 18 is a top plan view of the design of FIG. 15; FIG. 19 is a bottom plan view of the design of FIG. 15; FIG. 20 is a right side elevation view of the design of FIG. 15; and, FIG. 21 is a left side elevation view of the design of FIG. 15. The broken line disclosure represents unclaimed portions of the cooler in which the design is embodied.

1 Claim, 21 Drawing Sheets



(58) **Field of Classification Search**
 CPC .. A45C 11/20; A45C 9/00; A45C 5/14; A45C 5/03; F25B 19/00; F25D 3/08; F25D 3/14; F25D 2331/804; A47J 41/022; A47G 19/2288; B65D 81/3886; B65D 81/3834; B65D 81/3897; B65D 81/3823; B65D 81/3813; B65D 81/3888; B65D 81/3858; A47B 77/08
 See application file for complete search history.

2015/0008242	A1	1/2015	Kpabar	
2015/0021106	A1	1/2015	LaRosa	
2015/0114024	A1*	4/2015	Grepper	F25D 23/00 62/320
2015/0241107	A1	8/2015	Mech	
2016/0101924	A1	4/2016	Mitchell et al.	
2017/0023290	A1	1/2017	DeMuth et al.	

FOREIGN PATENT DOCUMENTS

AU	201712802	5/2017
AU	201712803	5/2017
EM	004006476-0001	5/2017
EM	004006476-0002	5/2017
EM	004006476-0003	5/2017
EM	004007706-0001	5/2017
EM	004007706-0002	5/2017

(56) **References Cited**
 U.S. PATENT DOCUMENTS

5,407,218	A	4/1995	Jackson	
D374,772	S *	10/1996	Hotaling	D3/273
5,676,296	A	10/1997	Masters	
D400,053	S *	10/1998	Coffee	D7/605
5,860,281	A *	1/1999	Coffee	A45C 11/20 312/298
D416,447	S *	11/1999	Levy	D7/605
6,474,097	B2	11/2002	Treppedi et al.	
D494,021	S *	8/2004	Huthmaker	D7/605
D497,517	S	10/2004	Reuter	
D500,057	S	12/2004	Reuter	
D527,225	S *	8/2006	Krieger	D7/605
7,143,601	B1	12/2006	Jimenez	
D534,771	S	1/2007	Zorn	
7,415,794	B1	8/2008	Thompson	
7,913,849	B2	3/2011	Pedrazzi et al.	
8,104,800	B2	1/2012	Lorek	
8,312,816	B2	11/2012	Vaccarella	
9,163,871	B1	10/2015	Costello	
9,220,250	B1	12/2015	Davis	
9,232,290	B2	1/2016	Besay	
9,320,938	B1	4/2016	Belmore	
D792,486	S	7/2017	Li et al.	
D802,028	S	11/2017	Li	
D802,029	S	11/2017	Li	
D802,630	S	11/2017	Li et al.	
2011/0226785	A1	9/2011	Sakell	
2014/0338390	A1	11/2014	Pinto et al.	
2015/0000318	A1	1/2015	Pinto et al.	

OTHER PUBLICATIONS

Australian Patent Application No. AU201716791 filed Nov. 8, 2017.
 Dometic CF Portable Coolers, Dometic Product Catalog 2016.
 Dometic RV Refrigeration, Portable Freezers/Refrigerators, Dometic Product Catalog 2015.
 Chinese Design Patent Application No. 201730180150 entitled "Latch" filed May 16, 2017.
 Chinese Design Patent Application No. 201730180148.2 entitled "Refrigerating Apparatus" filed May 16, 2017.
 European Design Patent Application No. 003482694 entitled "Cooler" filed Nov. 25, 2016.
 Thailand Design Patent Application No. 1702001859 entitled "Cooler" filed May 22, 2017.
 Design U.S. Appl. No. 29/605,186 entitled Refrigerating Apparatus filed May 24, 2017.
 Design U.S. Appl. No. 29/585,272 entitled "Cooler" filed Nov. 22, 2016.
 Design U.S. Appl. No. 29/585,279 entitled "Latch" filed Nov. 22, 2016.
 Design U.S. Appl. No. 29/604,426 entitled Cooler filed May 17, 2017.

* cited by examiner

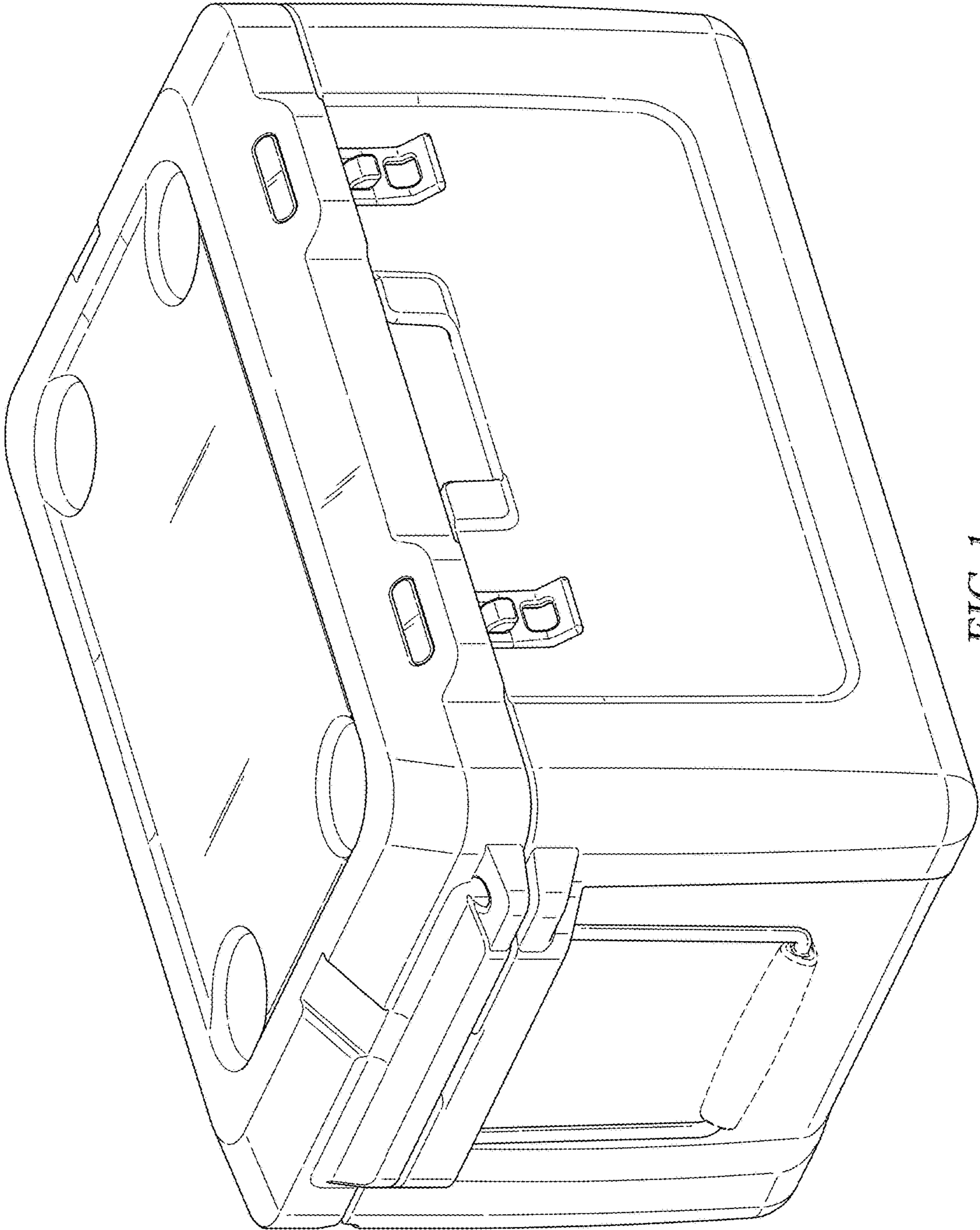


FIG. 1

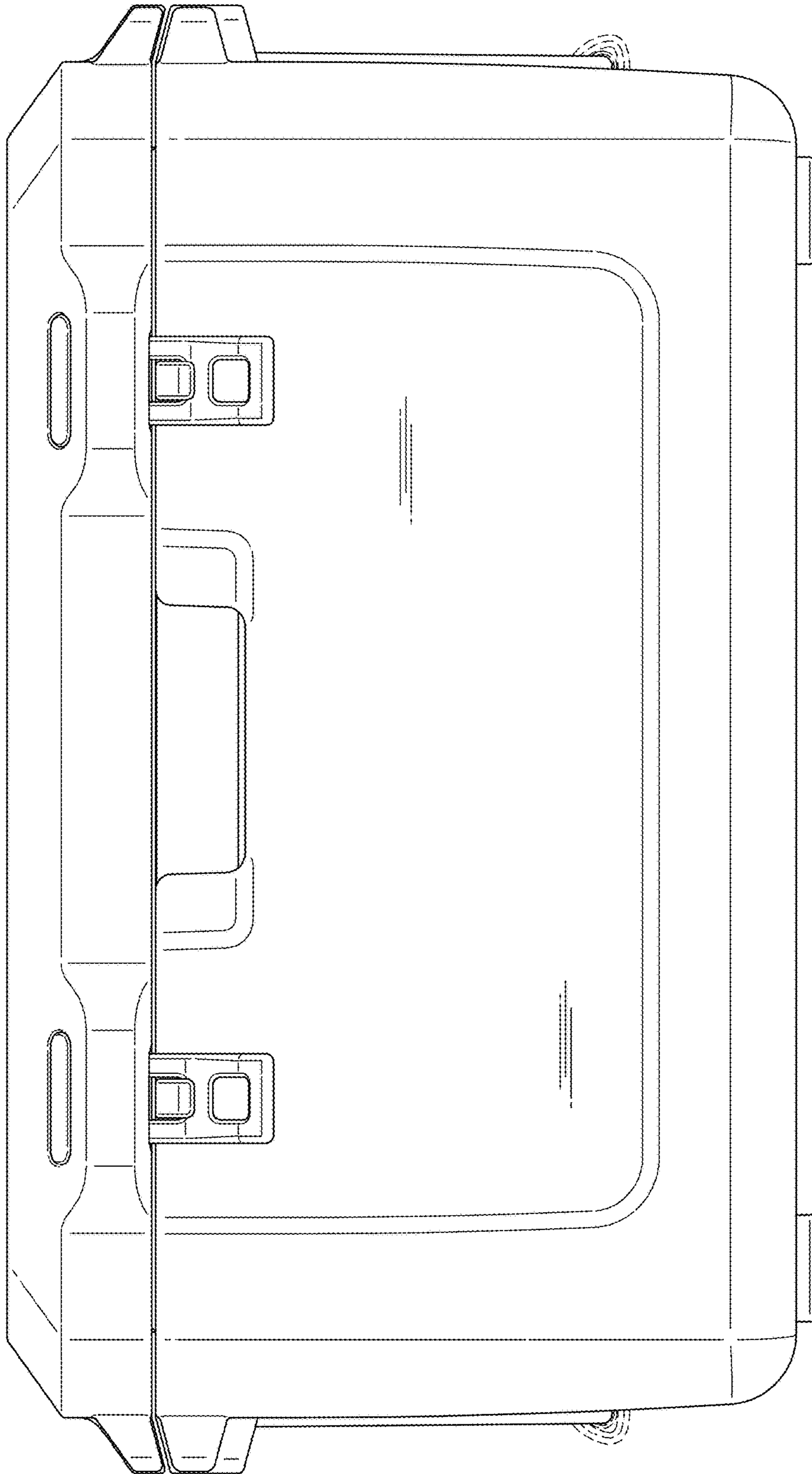


FIG. 2

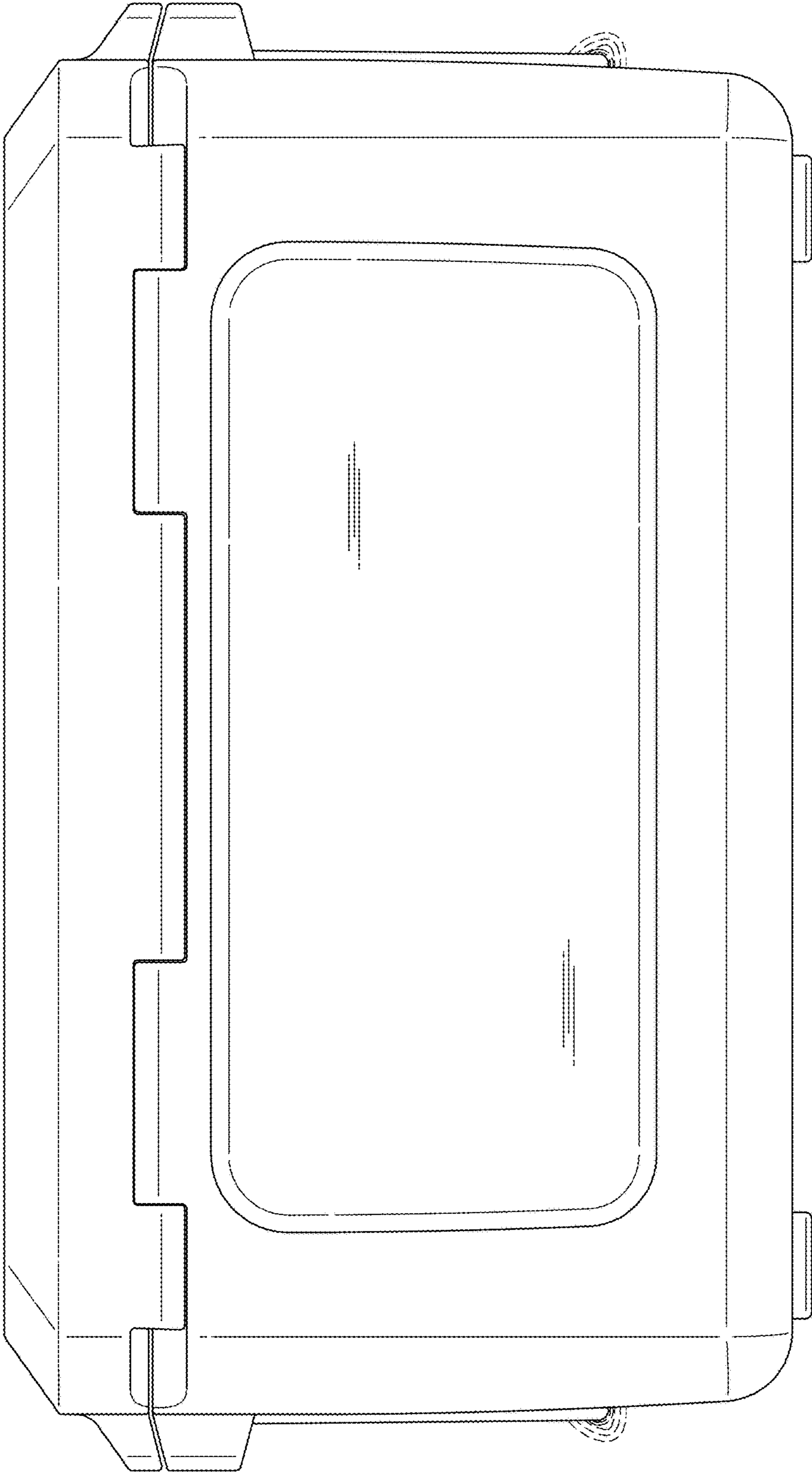


FIG. 3

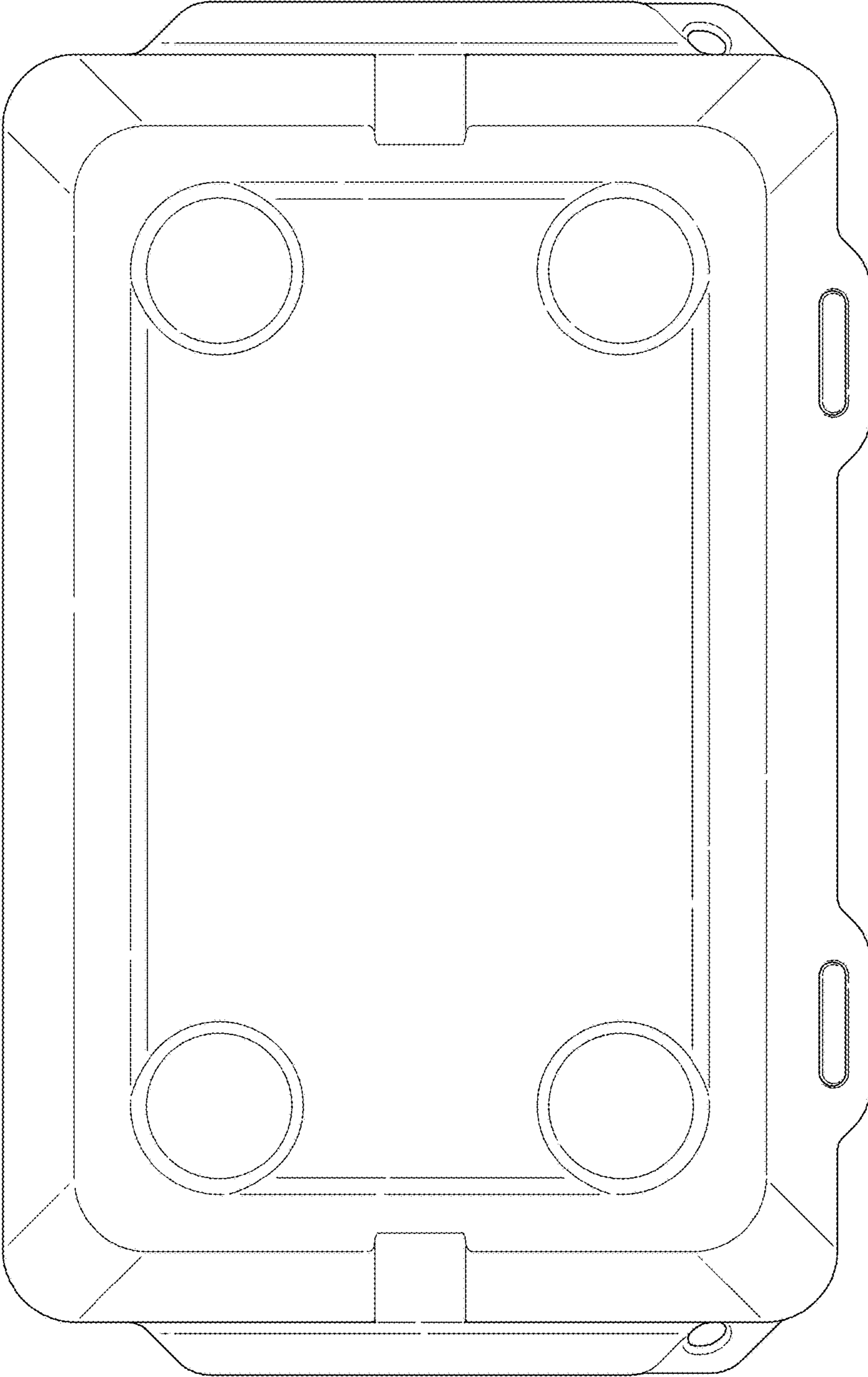


FIG. 4

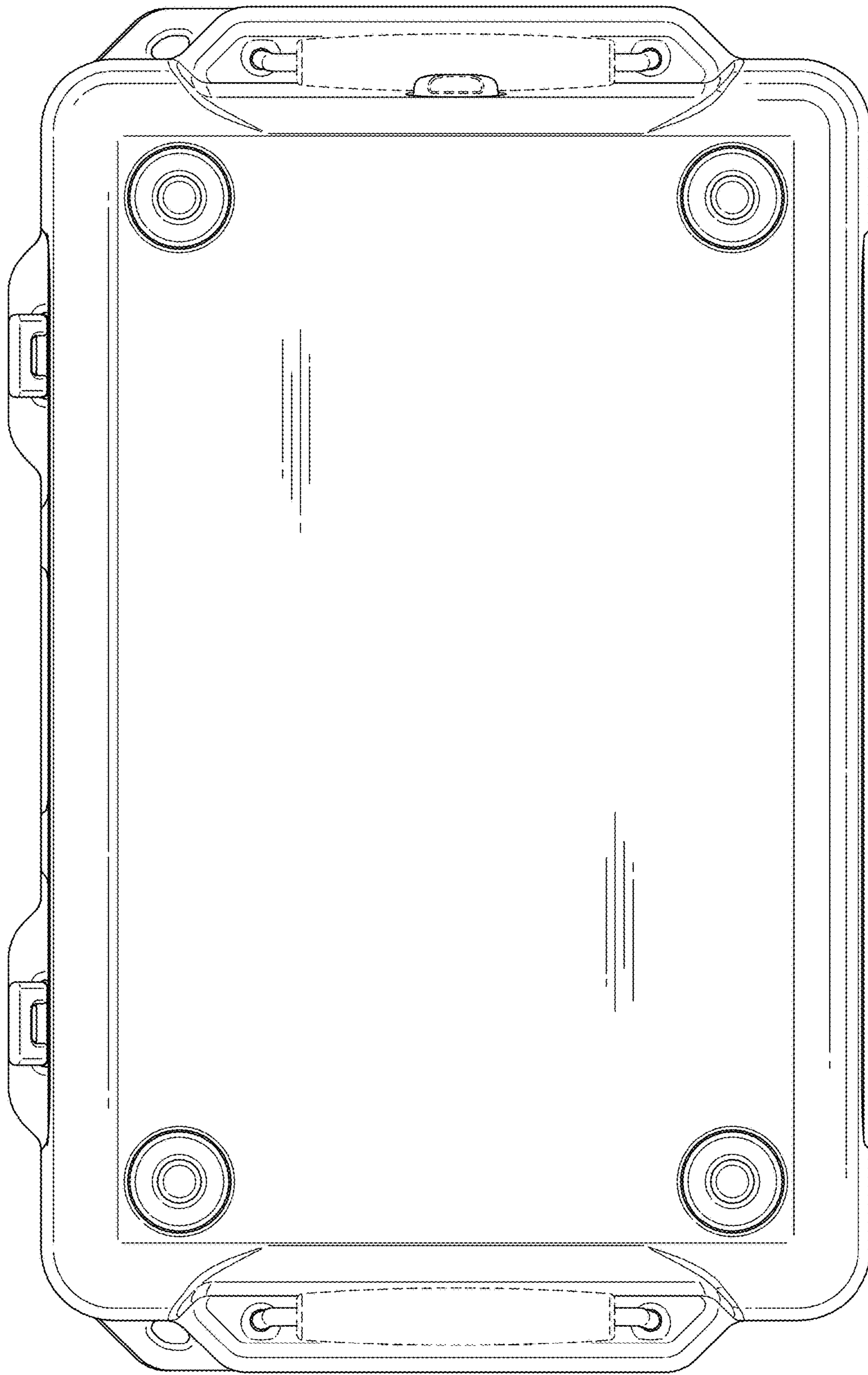


FIG. 5

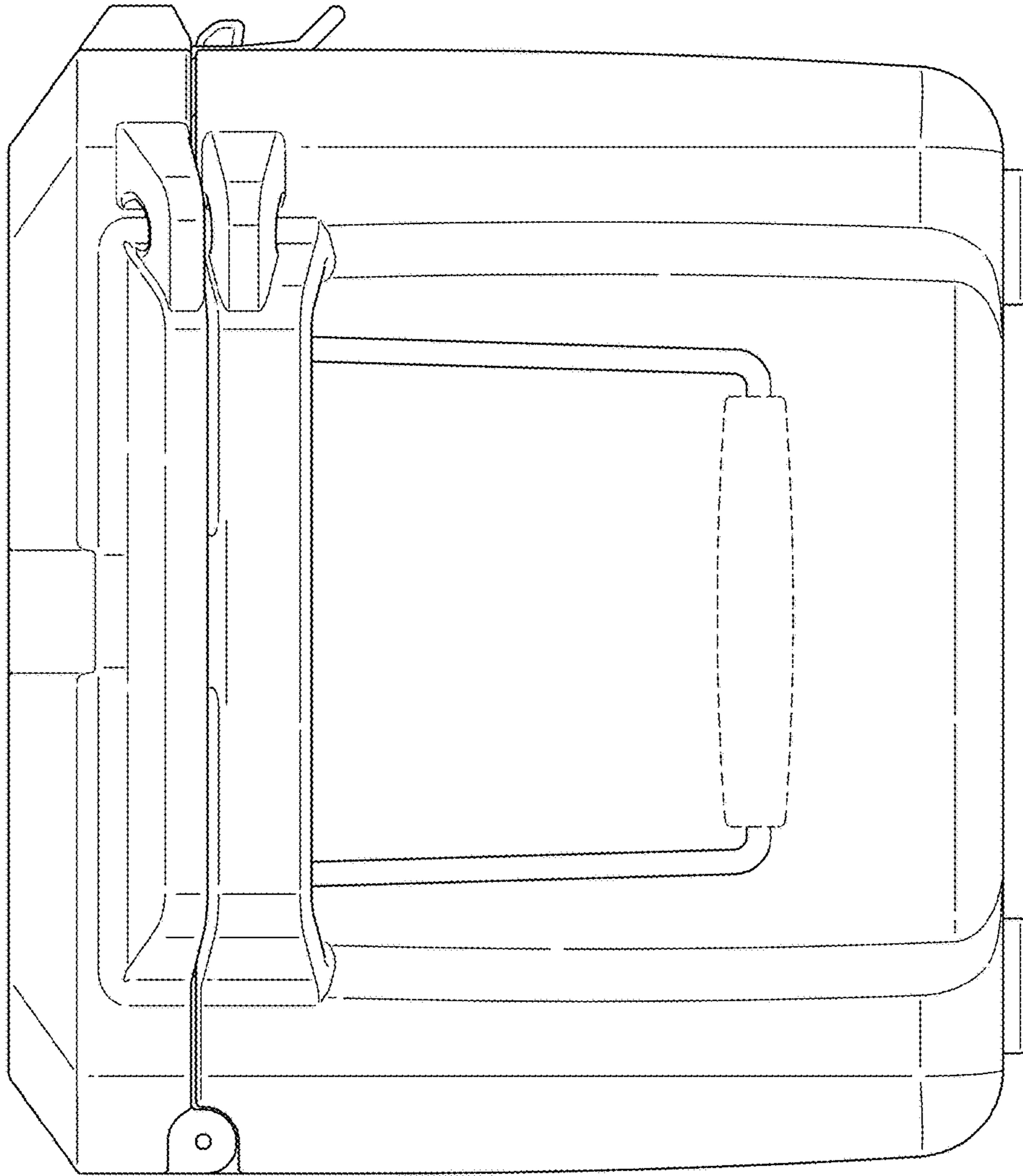


FIG. 6

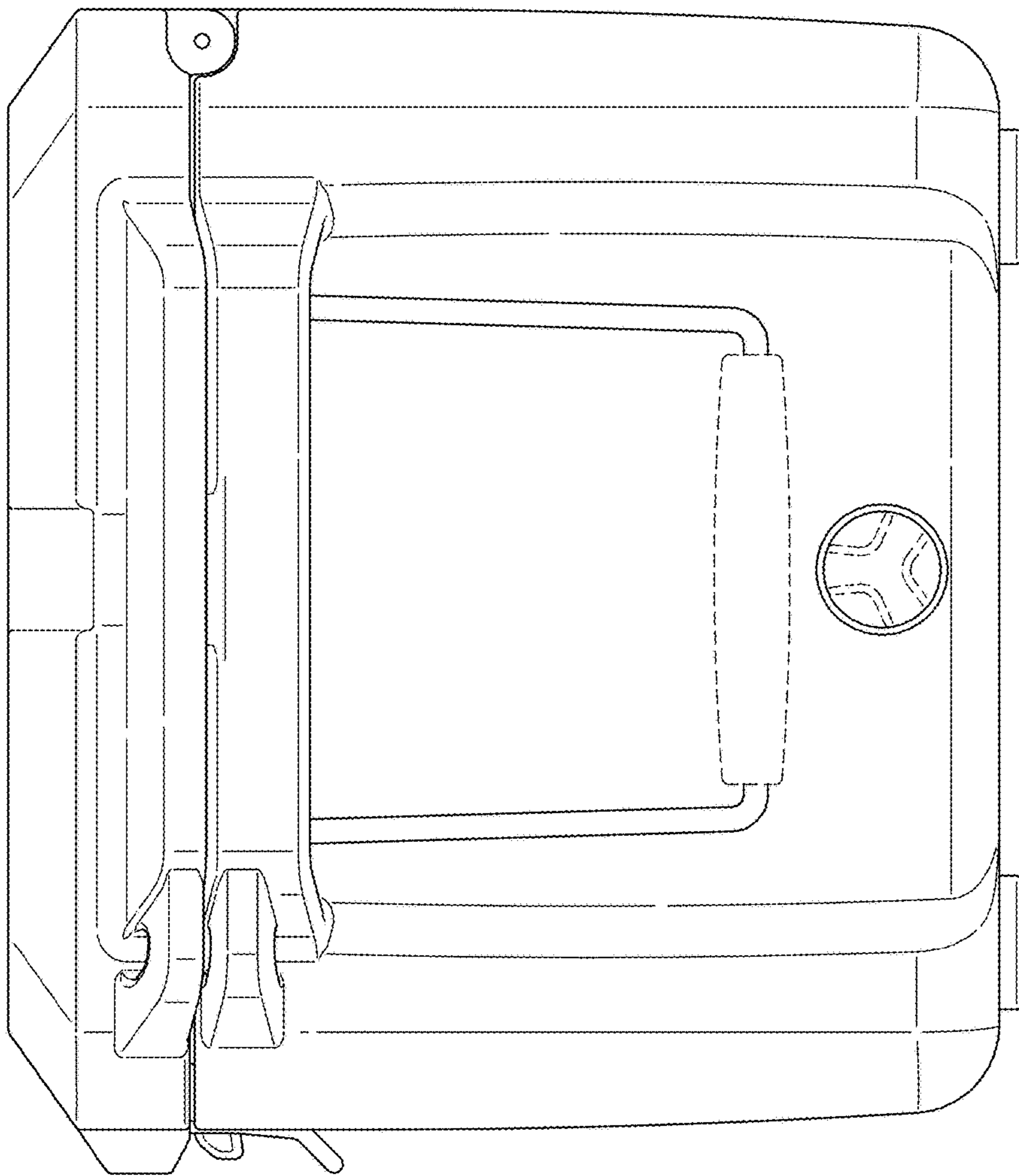


FIG. 7

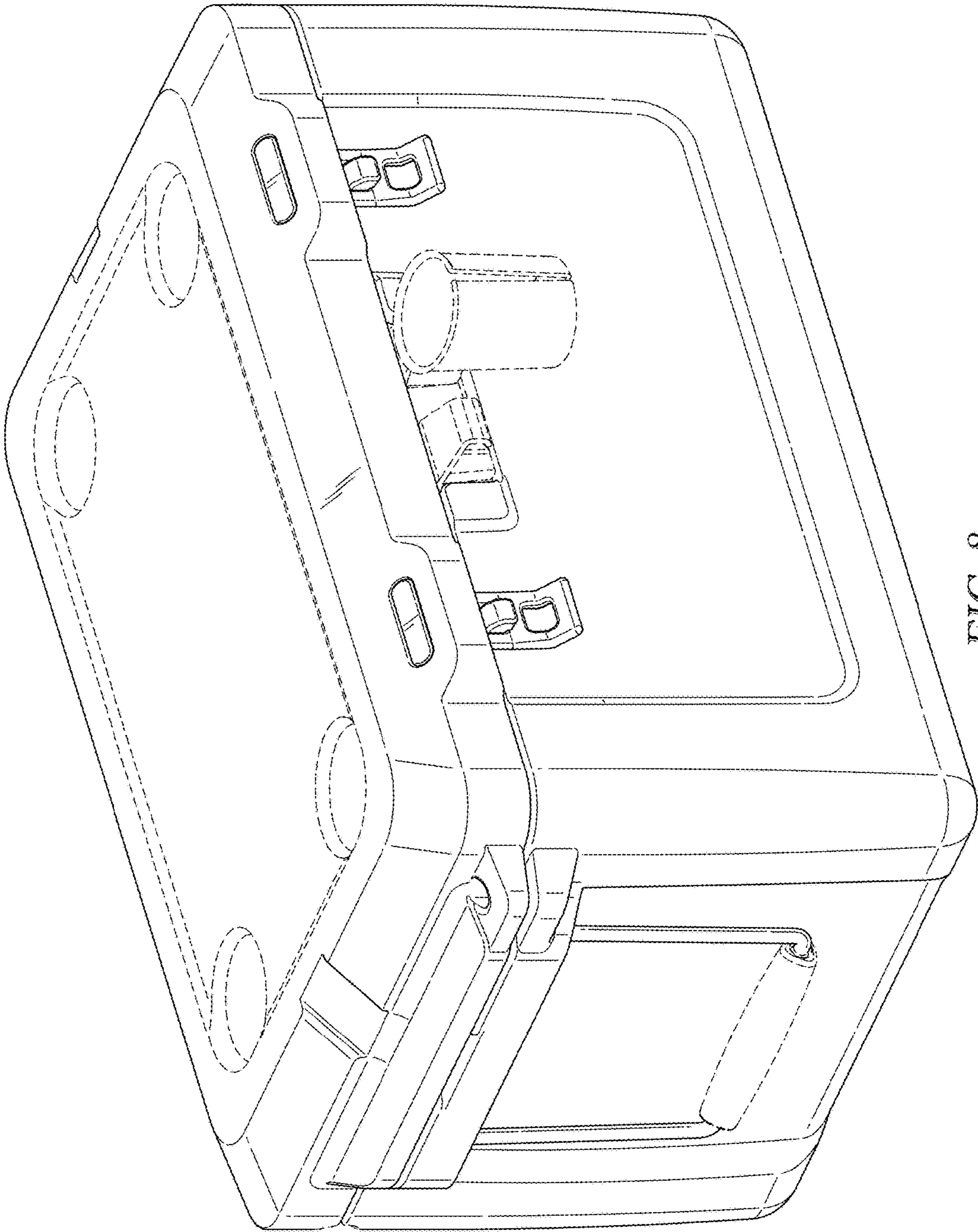


FIG. 8

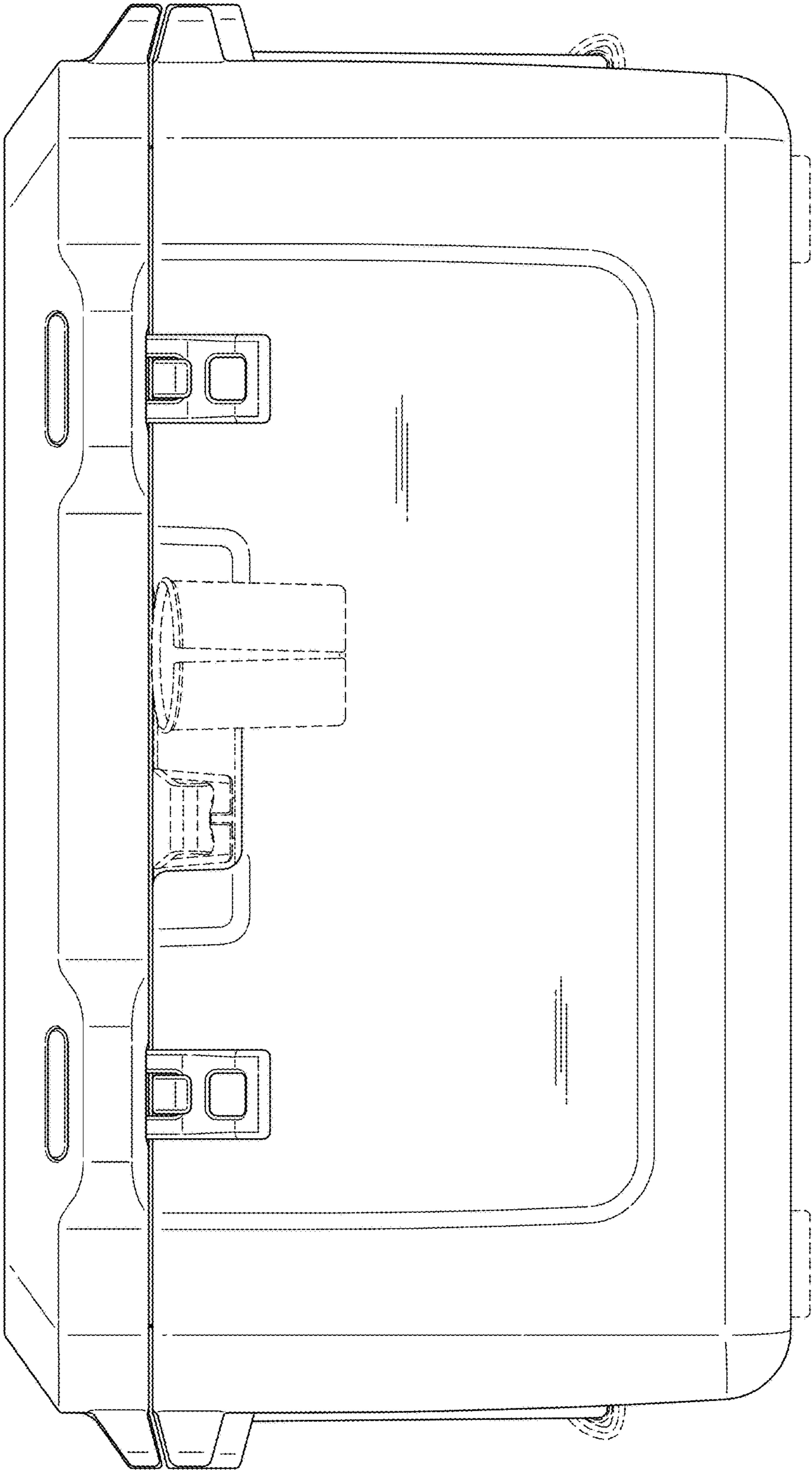


FIG. 9

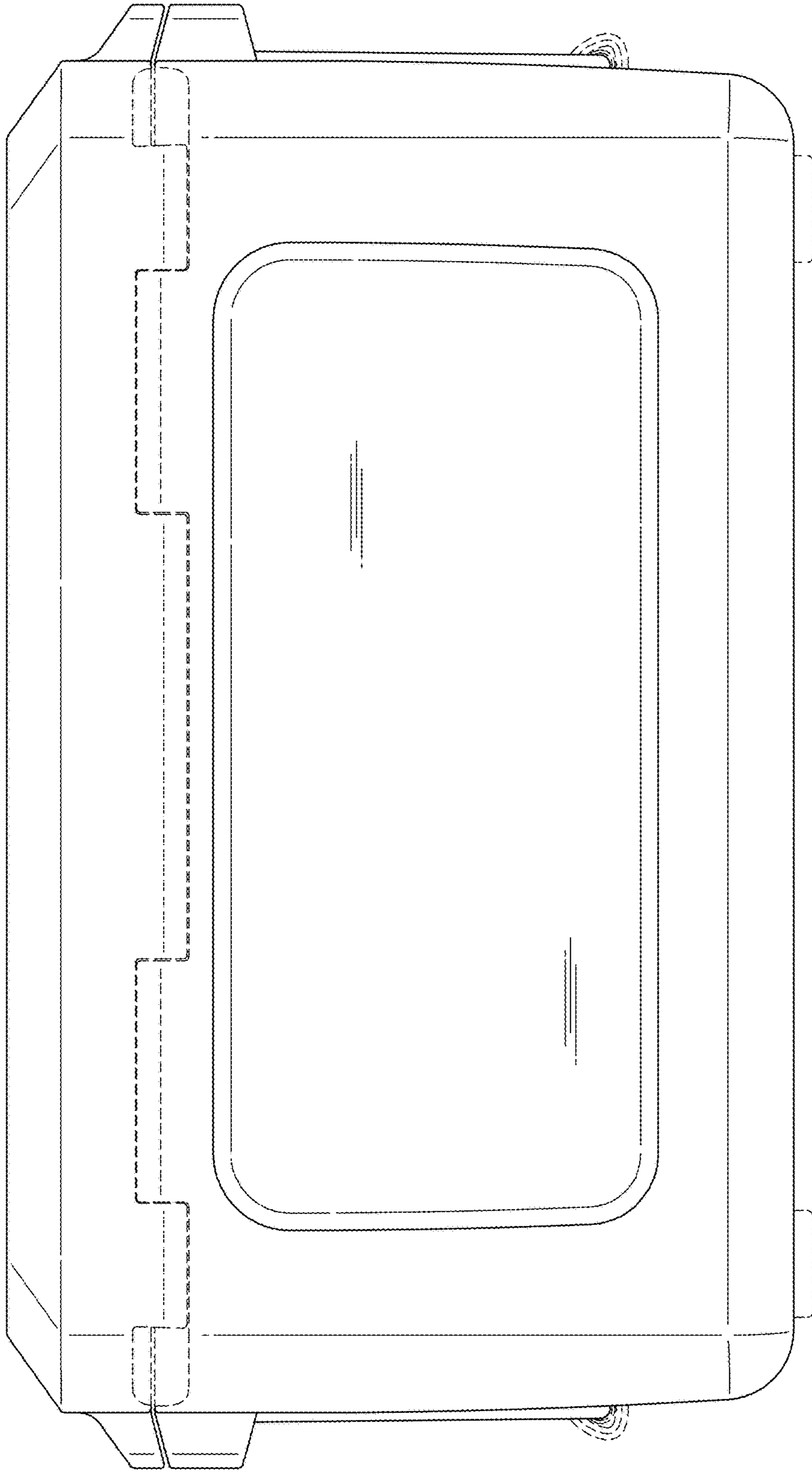


FIG. 10

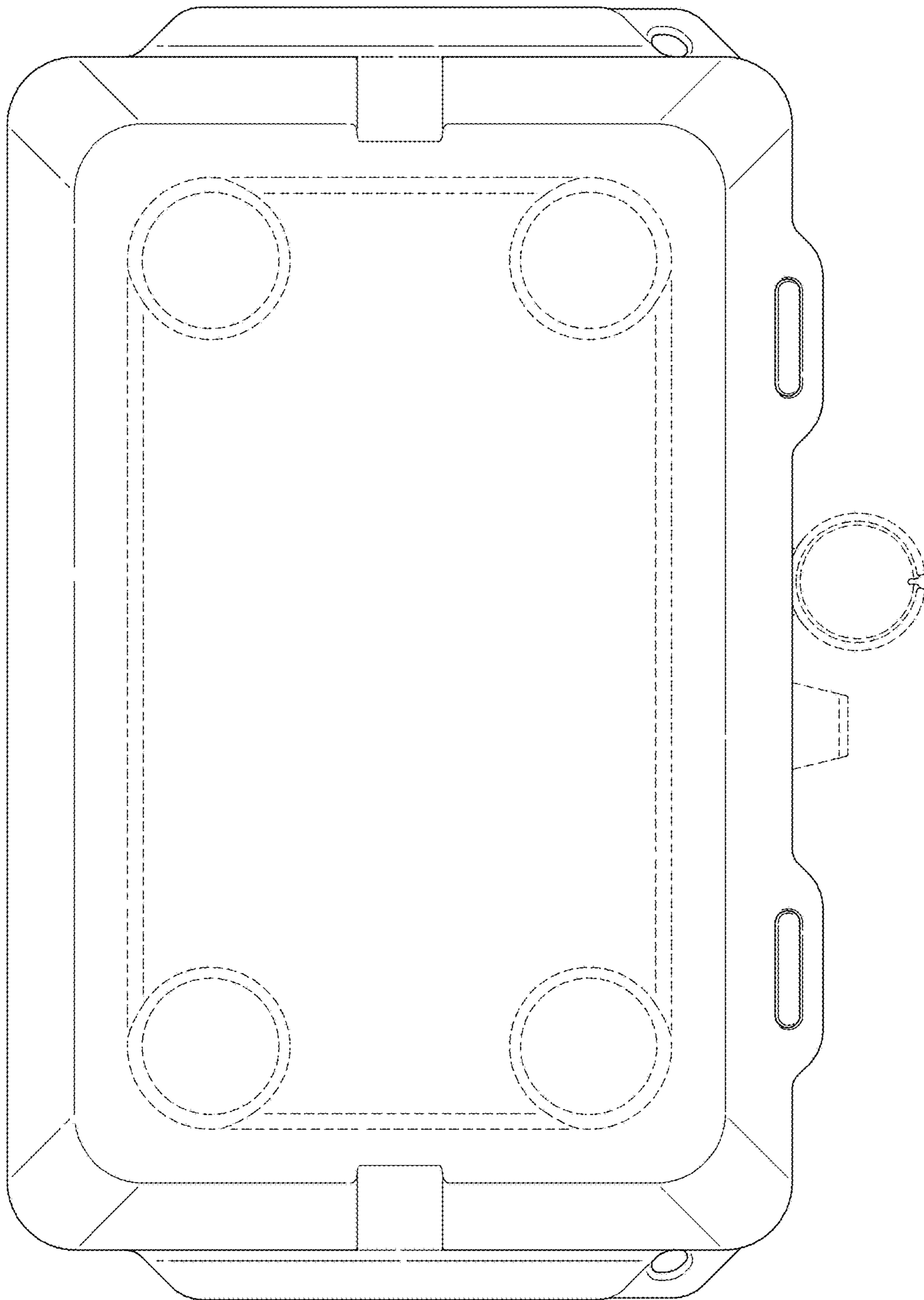


FIG. 11

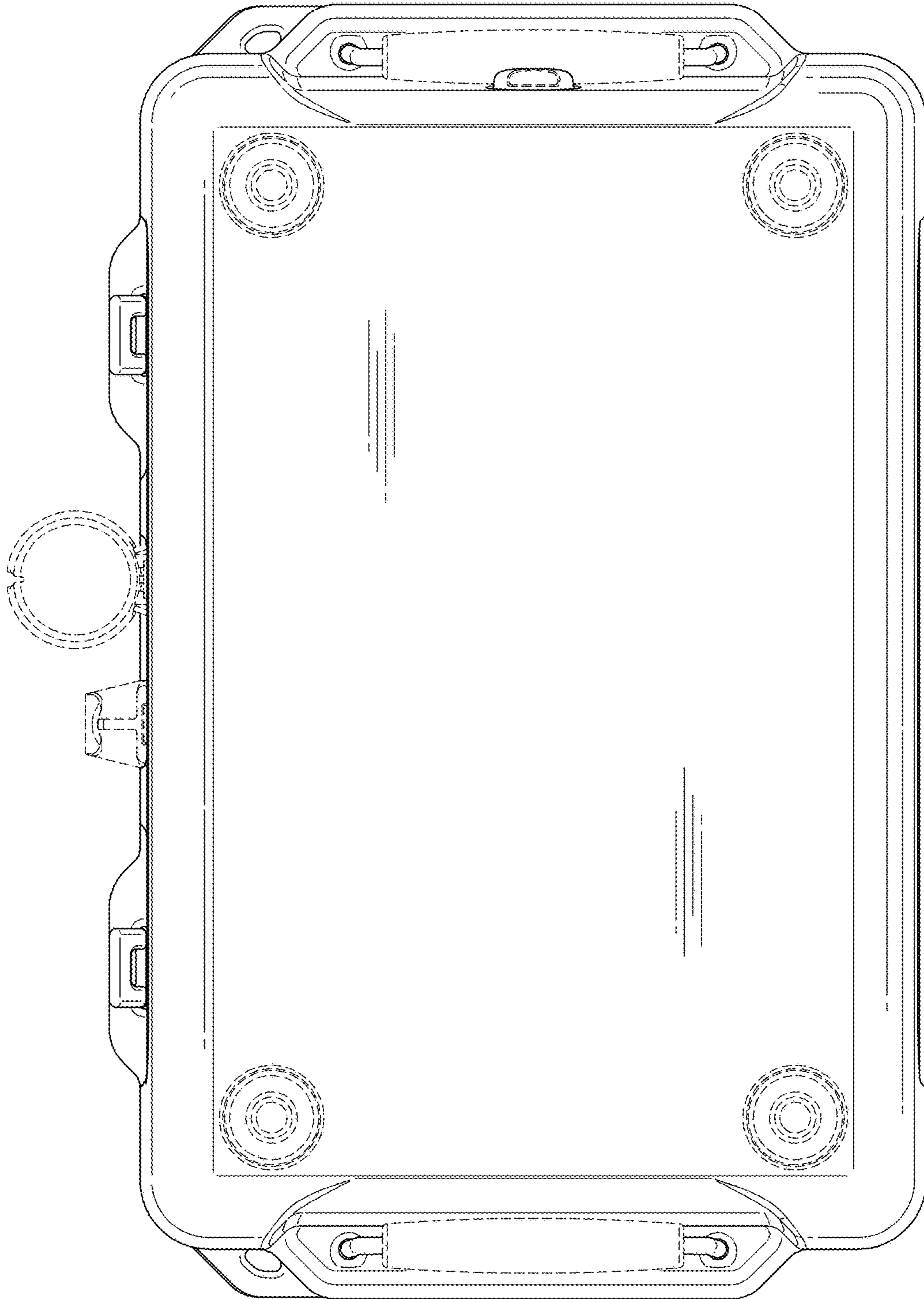


FIG. 12

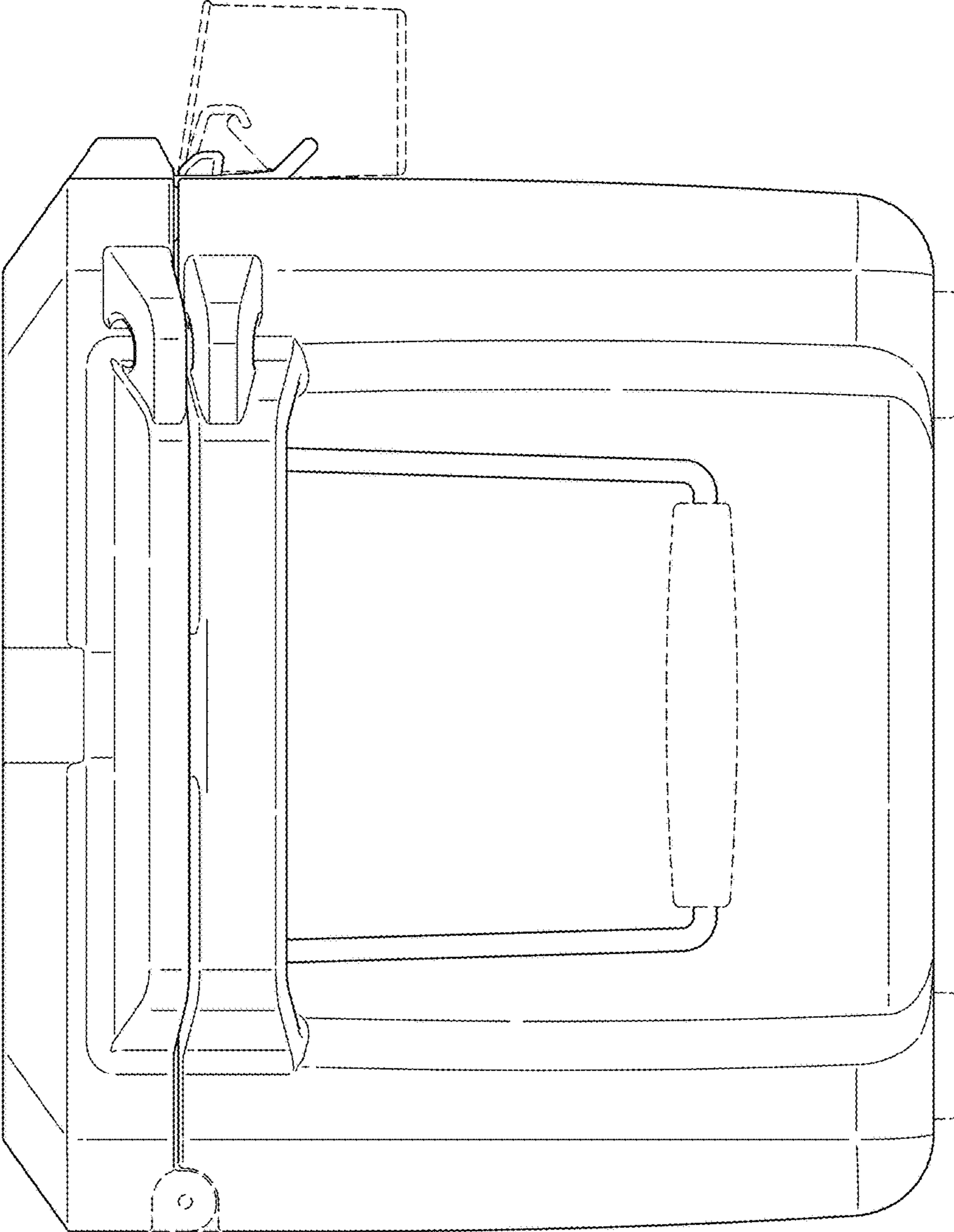


FIG. 13

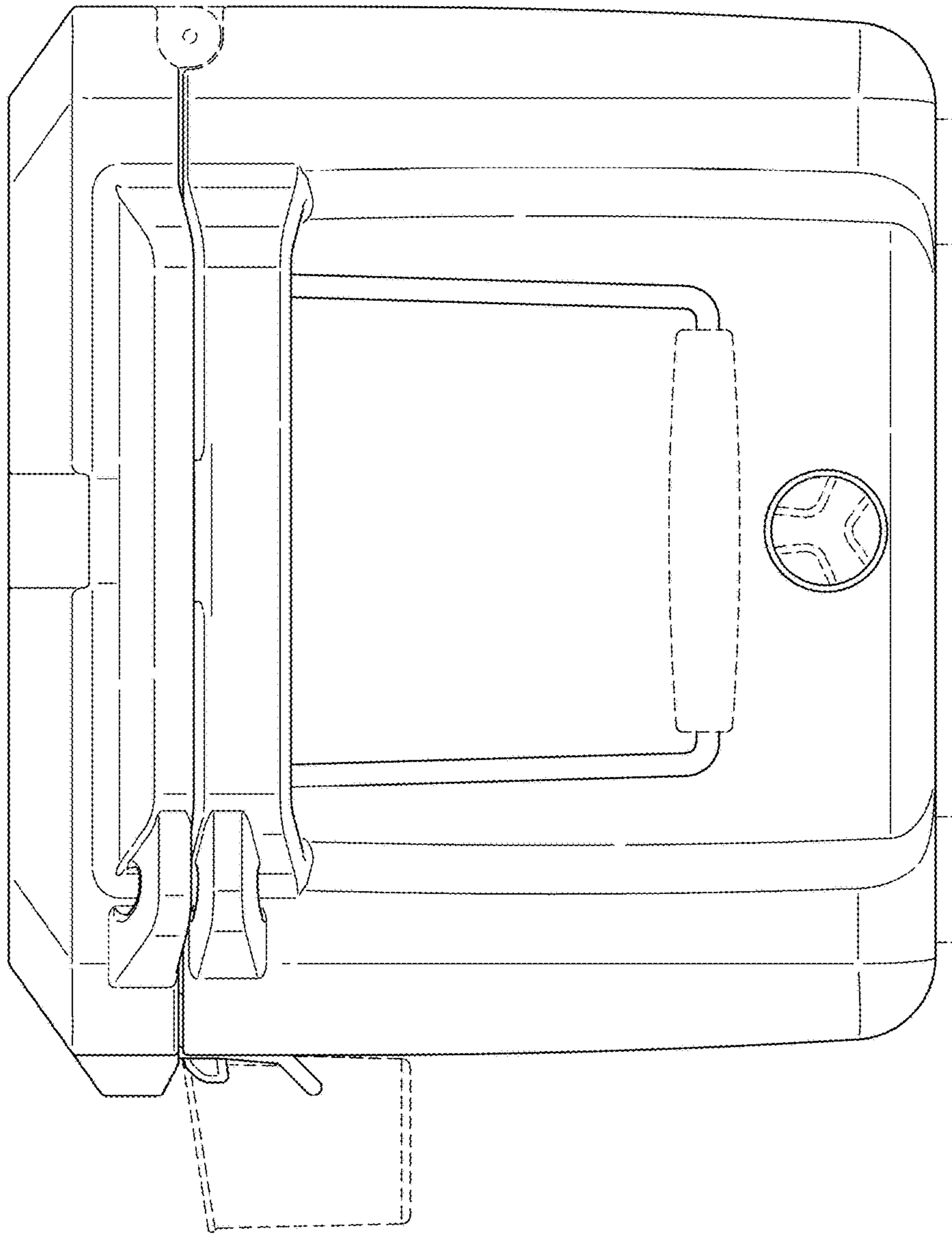


FIG. 14

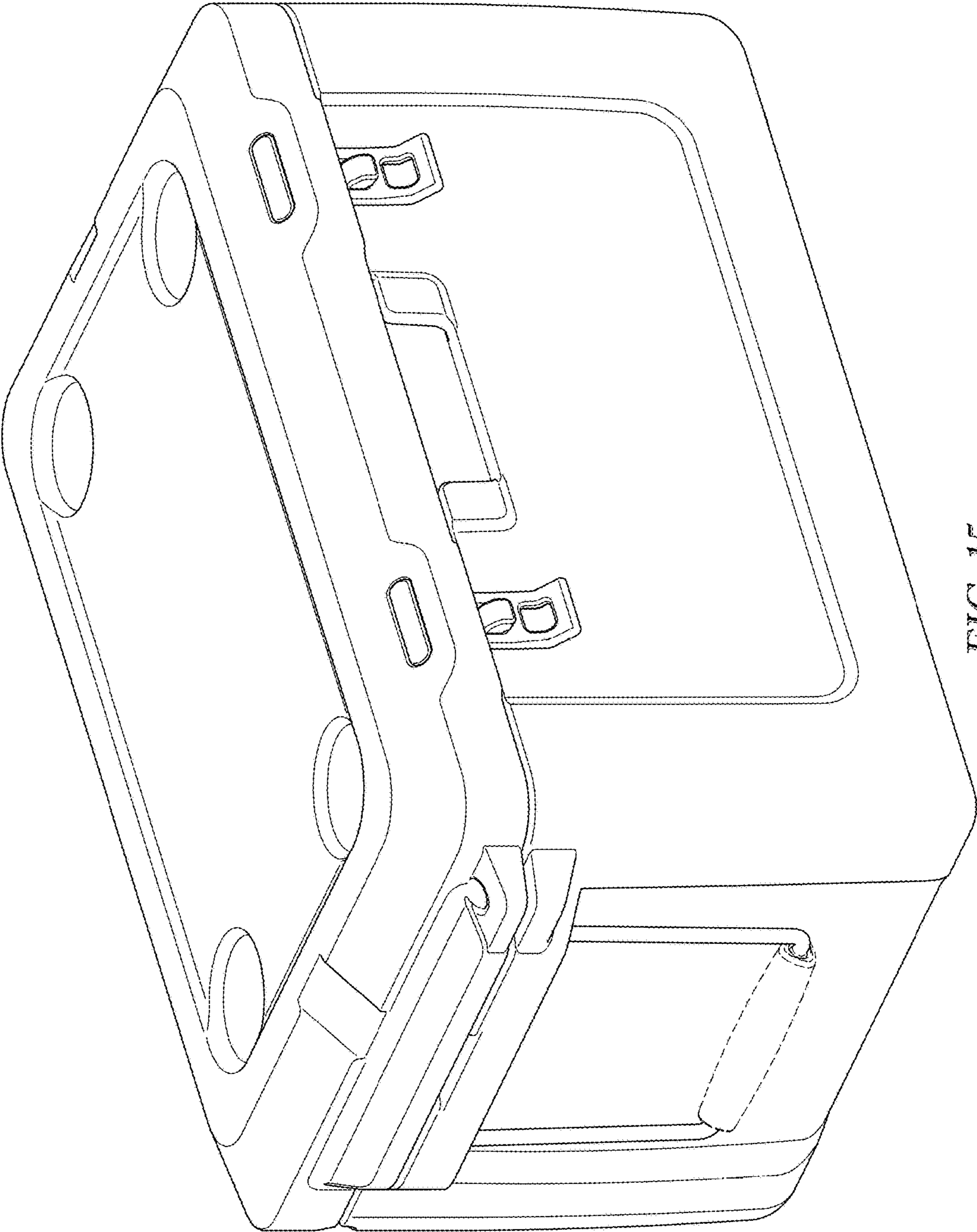


FIG. 15

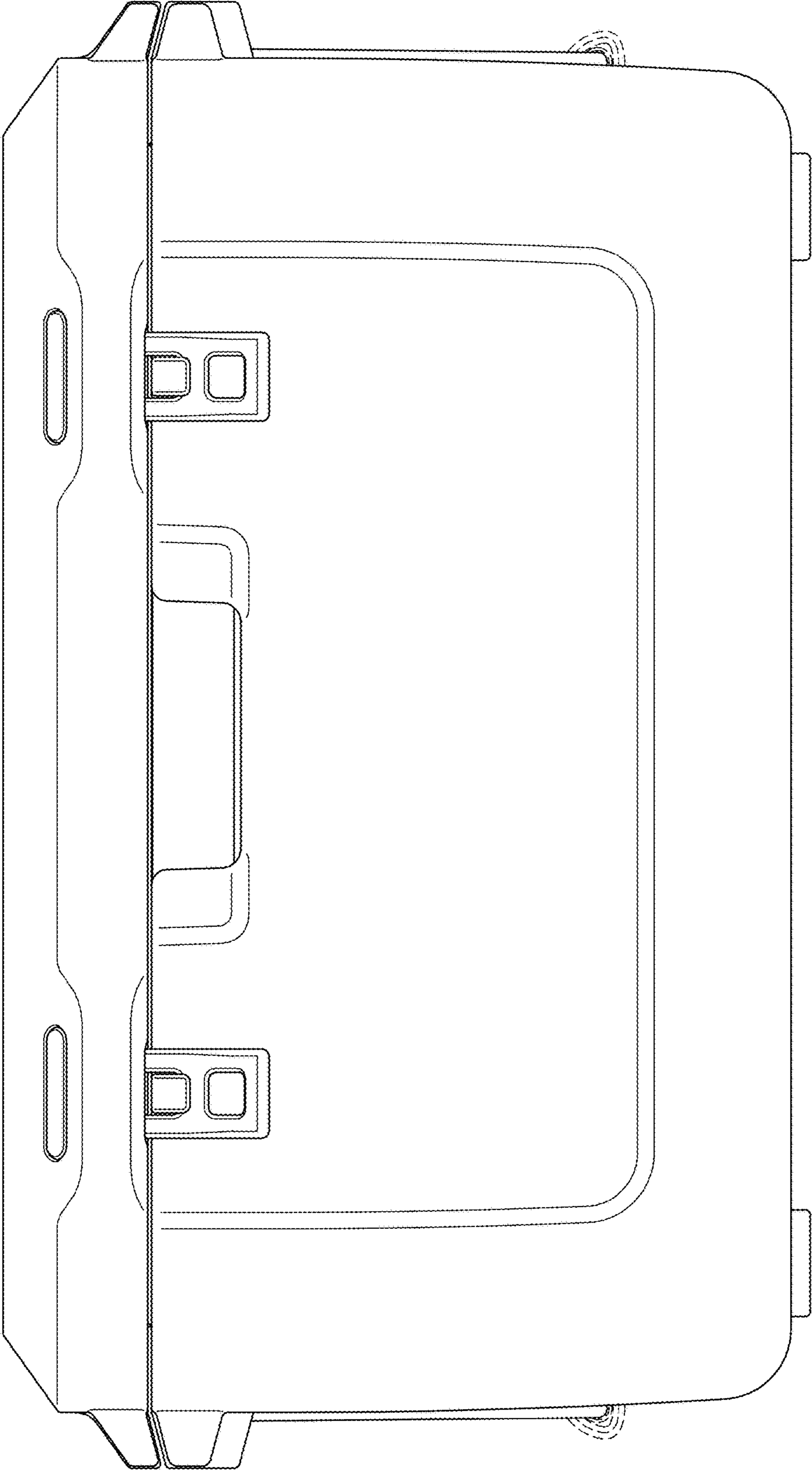


FIG. 16

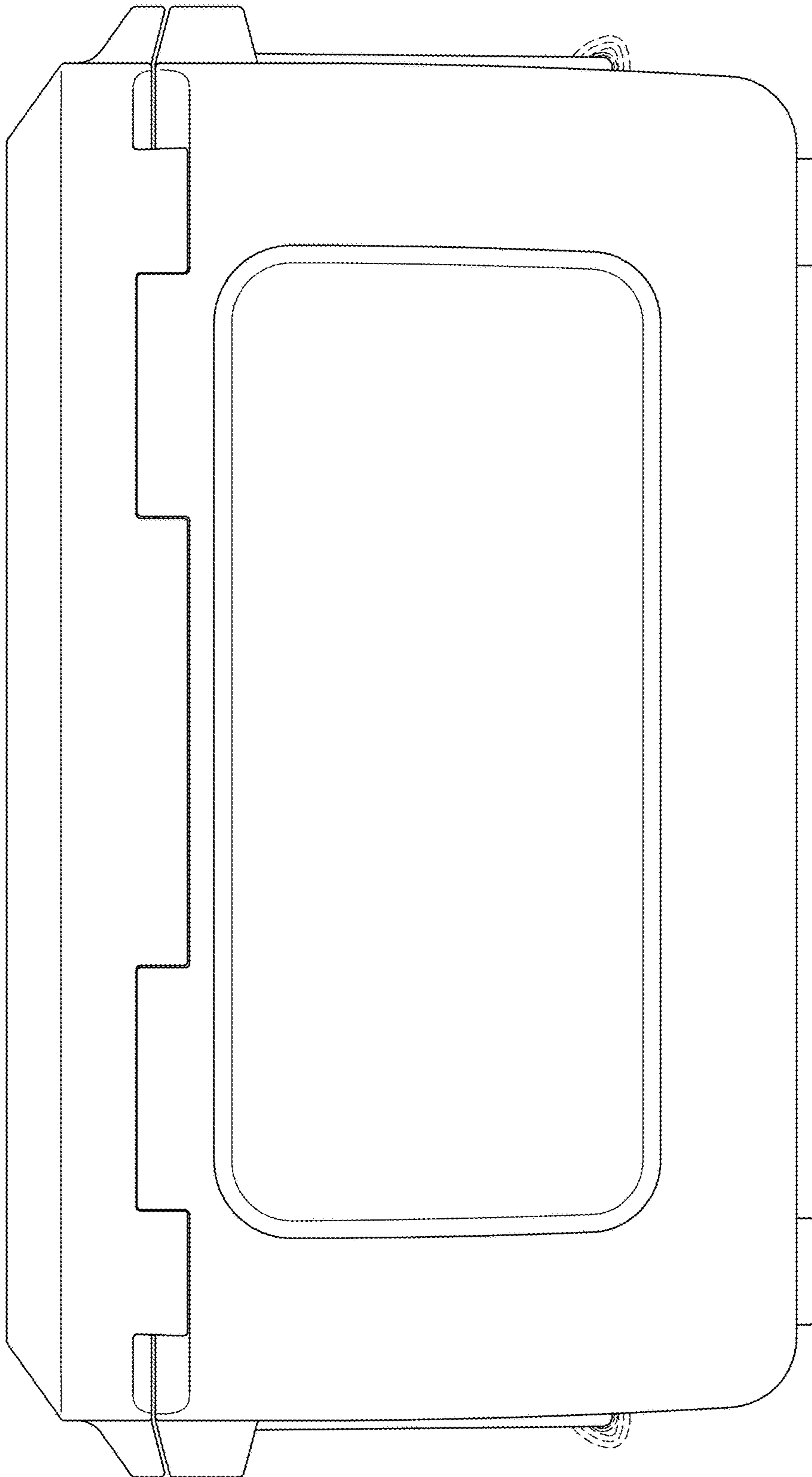


FIG. 17

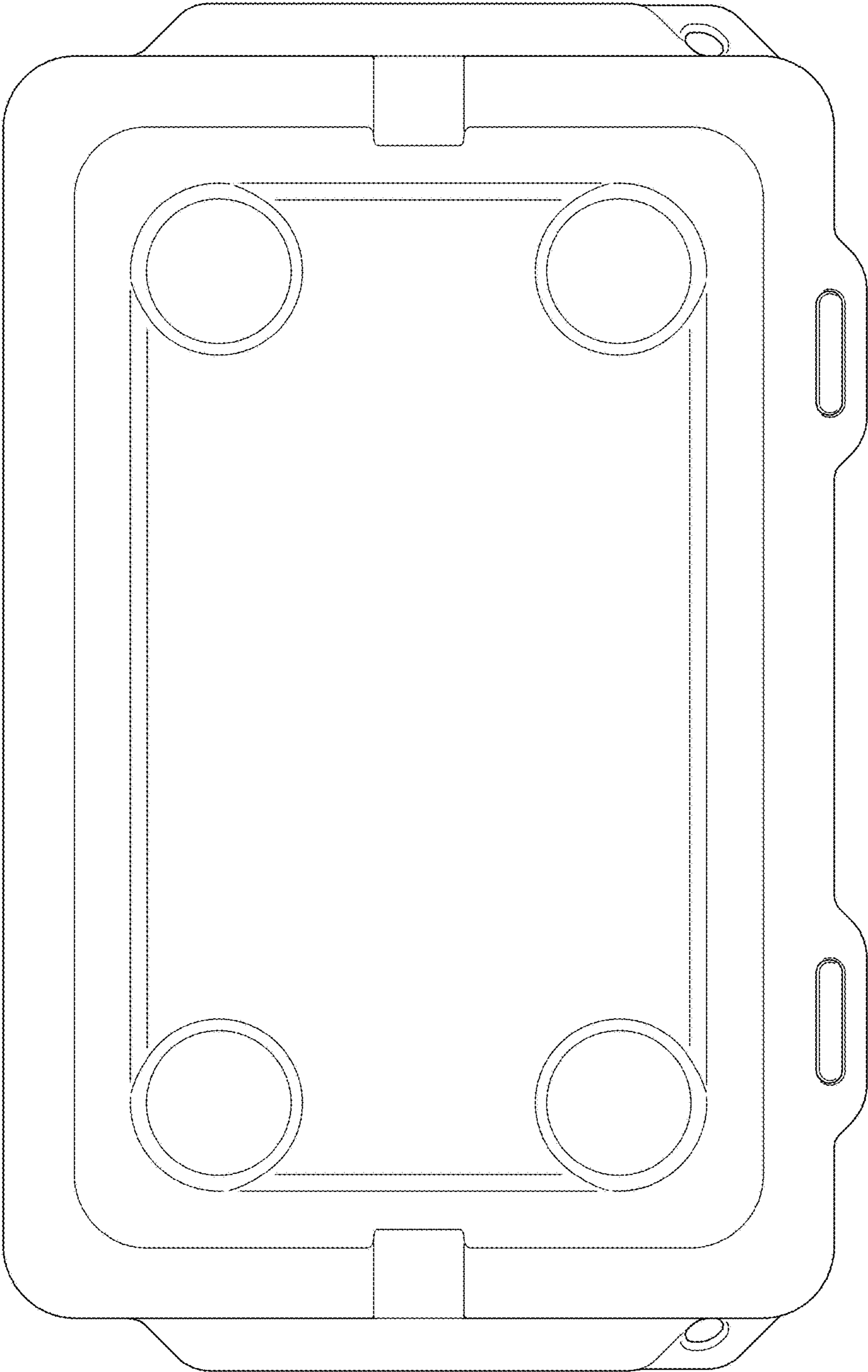


FIG. 18

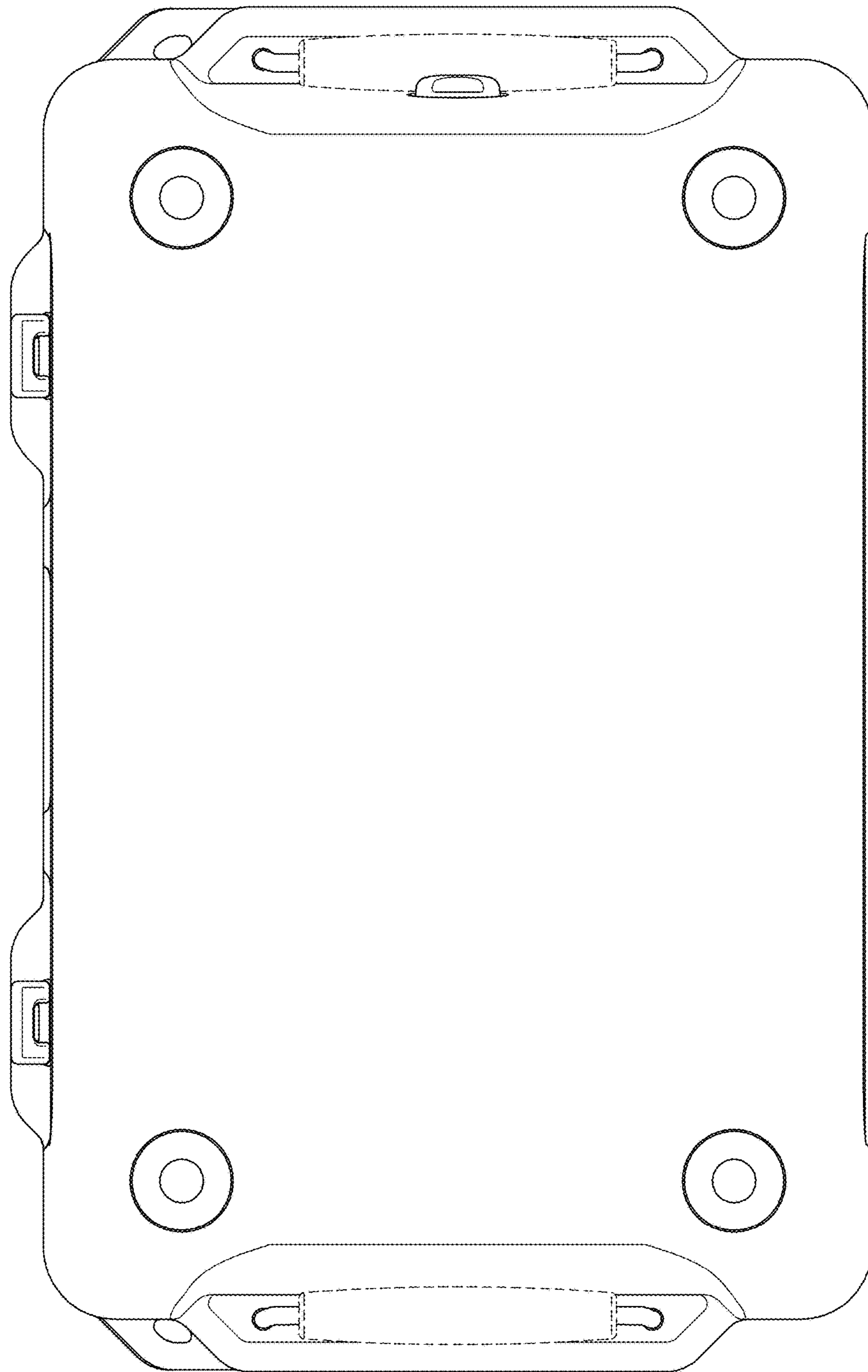


FIG. 19

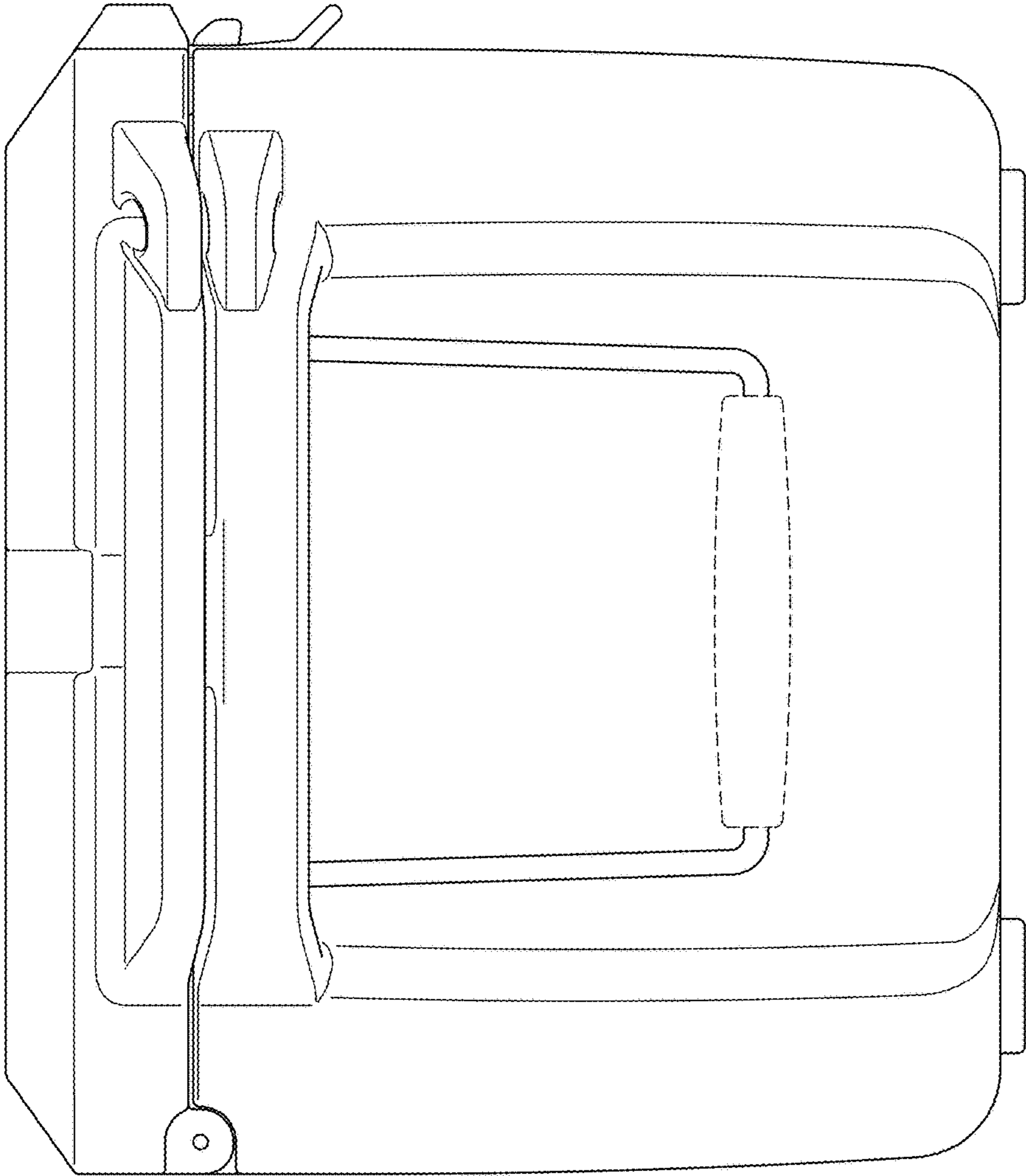


FIG. 20

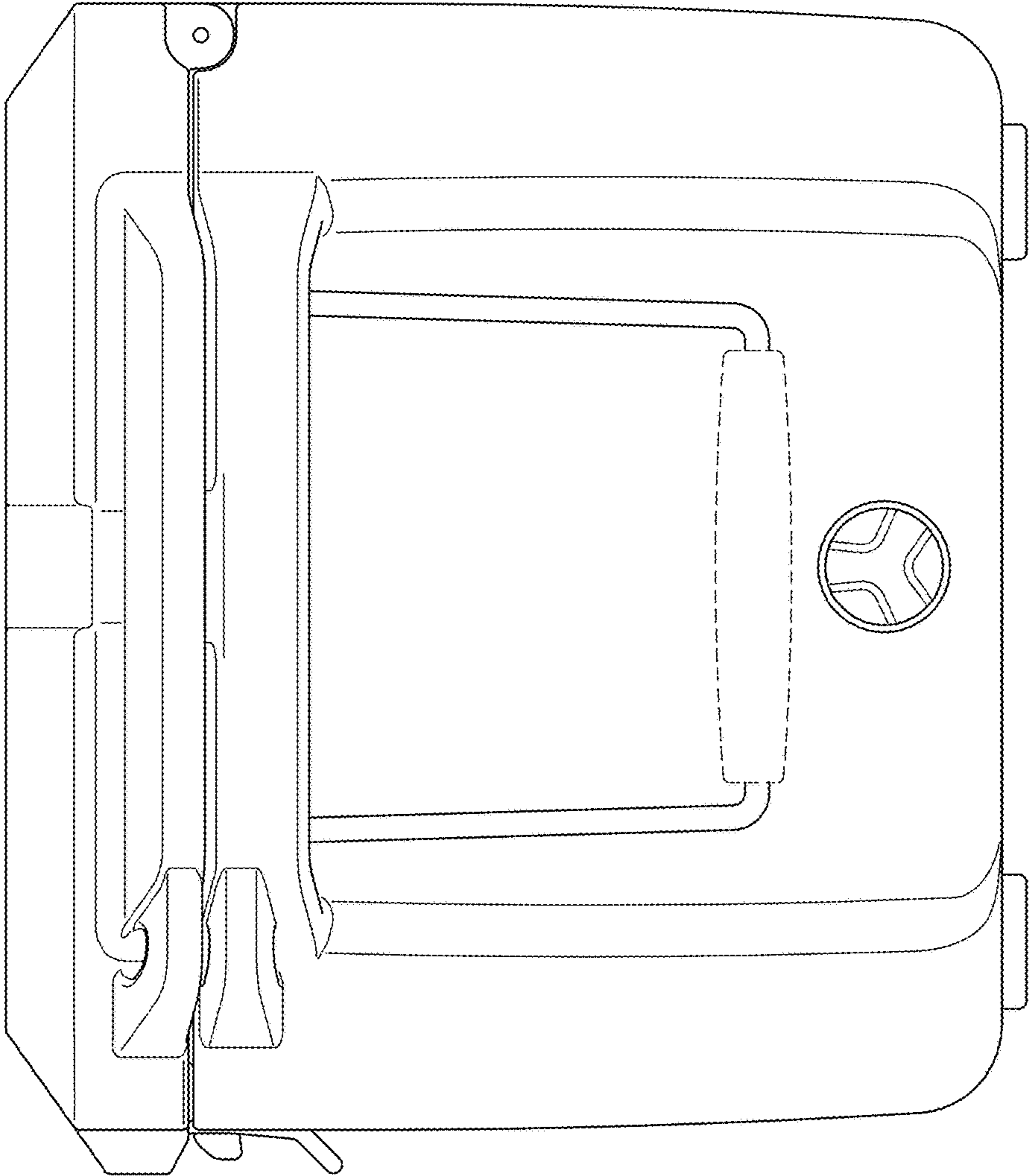


FIG. 21