

US00D836991S

(12) **United States Design Patent** (10) **Patent No.:** **US D836,991 S**
Wansink (45) **Date of Patent:** **** Jan. 1, 2019**

(54) **FOOD TRAY**
(71) Applicant: **Brian Wansink**, Ithaca, NY (US)
(72) Inventor: **Brian Wansink**, Ithaca, NY (US)
(73) Assignee: **Transformative Health Solutions, LLC**, Ithaca, NY (US)
(**) Term: **15 Years**
(21) Appl. No.: **29/602,712**
(22) Filed: **May 2, 2017**

Related U.S. Application Data

(63) Continuation-in-part of application No. 29/548,167, filed on Dec. 10, 2015, now Pat. No. Des. 785,406, which is a continuation-in-part of application No. 14/863,429, filed on Sep. 23, 2015.
(51) **LOC (11) Cl.** **07-01**
(52) **U.S. Cl.**
USPC **D7/553.5**
(58) **Field of Classification Search**
USPC D7/396.4, 501, 505, 571, 538, 540, D7/541-543, 545, 546, 549, 552.1, 553, D7/553.1, 553.2, 553.5, 553.6, 554.2; D9/424, 432, 716, 719, 738-740, D9/744-745, 756, 759-760, 761; D30/130
CPC B65D 1/34; B65D 21/00; B65D 21/0204
See application file for complete search history.

References Cited

U.S. PATENT DOCUMENTS

D122,589 S * 9/1940 Bastress 220/575
D195,345 S * 6/1963 Stageberg D7/396.1
D201,454 S * 6/1965 Hugo D7/553.5
D208,260 S * 8/1967 Meyer, Jr. D7/549
D208,717 S * 9/1967 Parish D7/553.5

D247,765 S * 4/1978 Pariente D7/552.1
D255,310 S * 6/1980 Spencer D7/553.5
D261,589 S * 11/1981 Herbst D7/553.5
RE30,962 E * 6/1982 Bridges B65D 81/3823
206/217
D271,932 S * 12/1983 Mosley D7/553.5
D280,669 S * 9/1985 Hammeke D3/308
D292,768 S * 11/1987 Kearney D7/553.5
D335,796 S * 5/1993 Barnes D7/553.5
D353,515 S * 12/1994 Anderson D7/546
D355,333 S * 2/1995 Campbell D7/553.2
D360,111 S * 7/1995 Kearney D7/553.5
D376,296 S * 12/1996 Dunn D7/553.5
D410,820 S * 6/1999 Lofrano D7/507
D423,290 S * 4/2000 Green D6/406.1
D436,500 S * 1/2001 Kearney D7/553.2
D606,774 S * 12/2009 Kohli D6/406.6
D634,541 S * 3/2011 Gutierrez D3/313

(Continued)

Primary Examiner — Kelley Donnelly

(74) *Attorney, Agent, or Firm* — Durham Jones & Pinegar, P.C., Intellectual Property Law Group

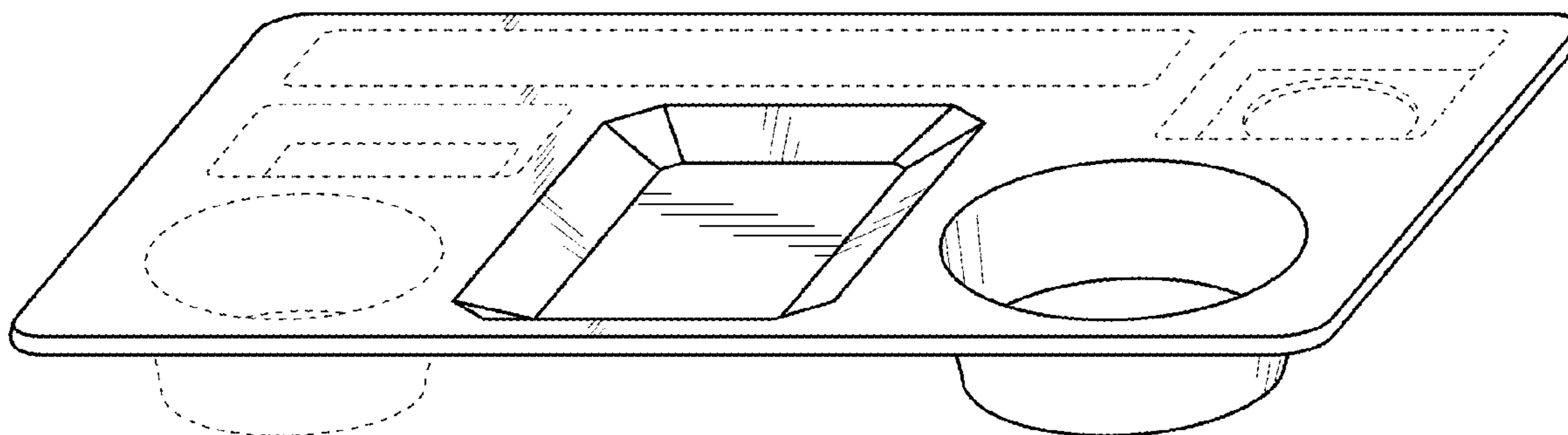
(57) **CLAIM**

The ornamental design for a food tray, as shown and described.

DESCRIPTION

FIG. 1 is a perspective view of a food tray showing my new design;
FIG. 2 is a top view thereof;
FIG. 3 is a front side view thereof;
FIG. 4 is a rear side view thereof;
FIG. 5 is a left side view thereof;
FIG. 6 is a right side view thereof; and,
FIG. 7 is a bottom view thereof.
The features shown in broken lines have been included merely to provide context by showing embodiments of optional features. The features shown in broken lines are not part of the claimed invention.

1 Claim, 2 Drawing Sheets



(56)

References Cited

U.S. PATENT DOCUMENTS

8,381,662 B2 * 2/2013 Goldszer A47B 37/04
108/25
D721,543 S * 1/2015 Min D7/553.1
D769,678 S * 10/2016 Jussen D7/701
D770,856 S * 11/2016 Li D7/553.2
D785,406 S * 5/2017 Wansink D7/553.2
D786,621 S * 5/2017 Davis D7/553.1
D791,544 S * 7/2017 Dennis D7/553.2

* cited by examiner

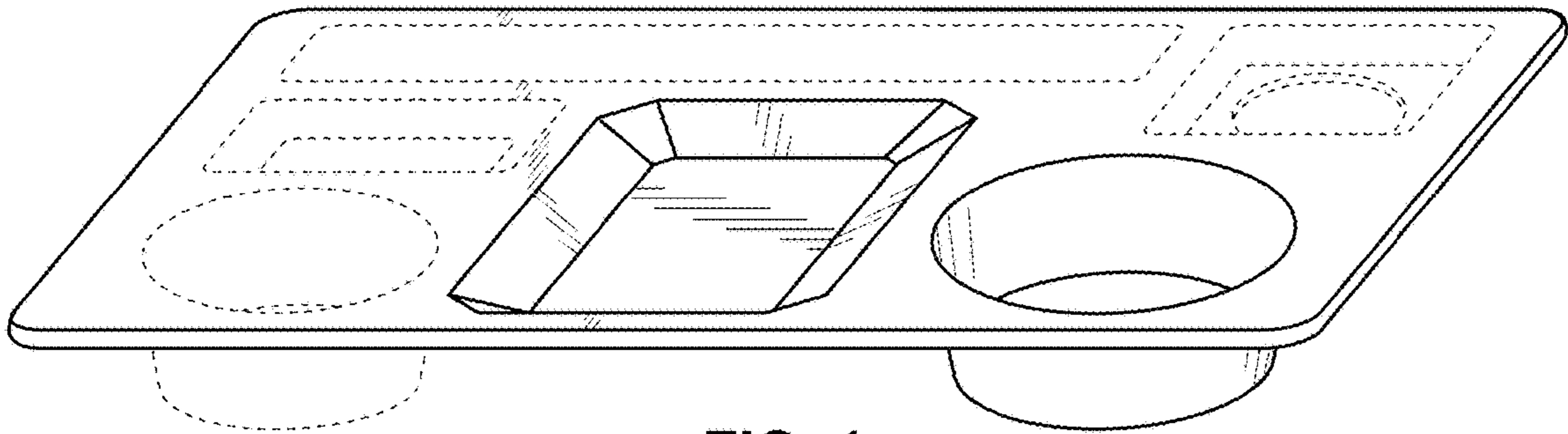


FIG. 1

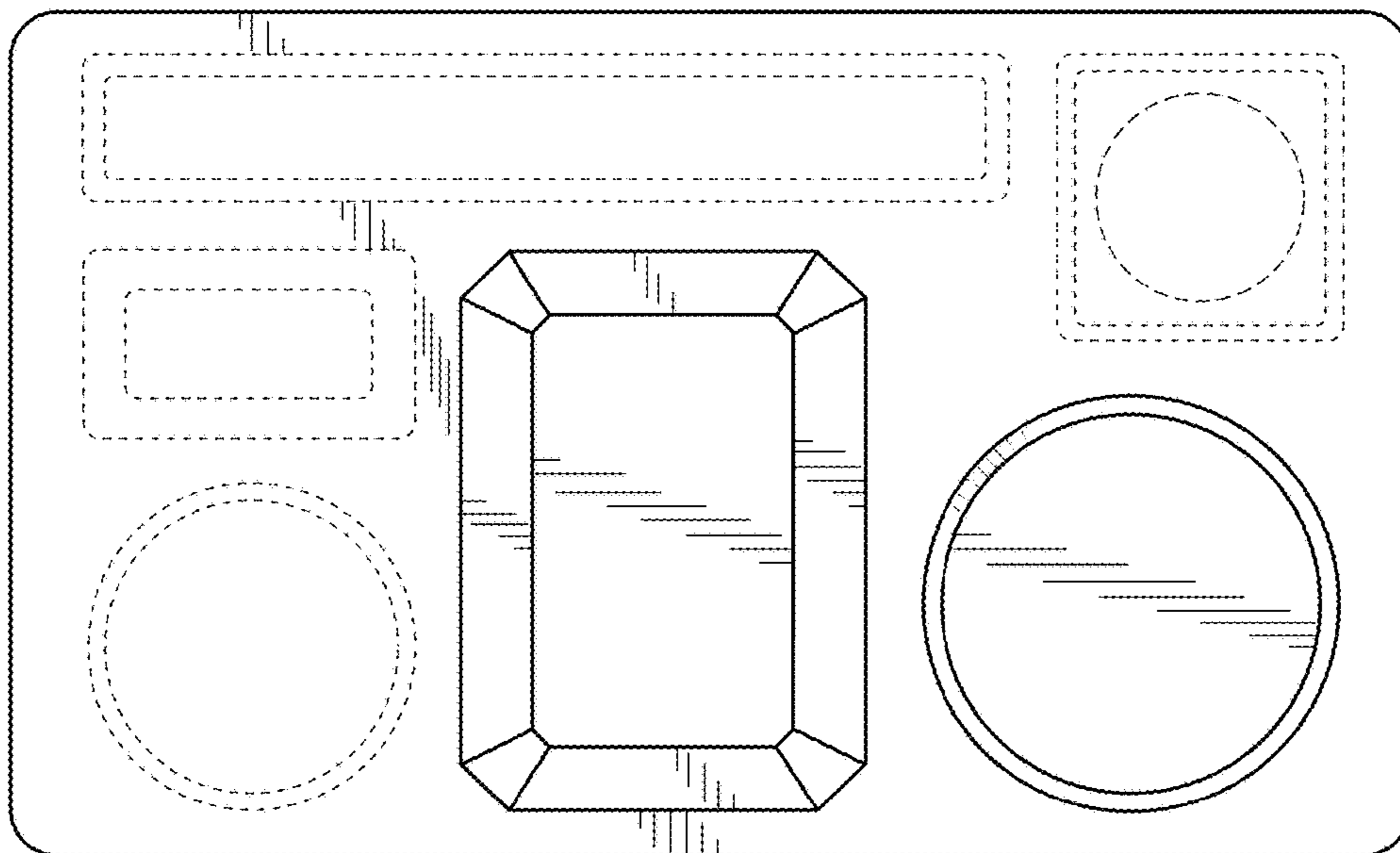


FIG. 2

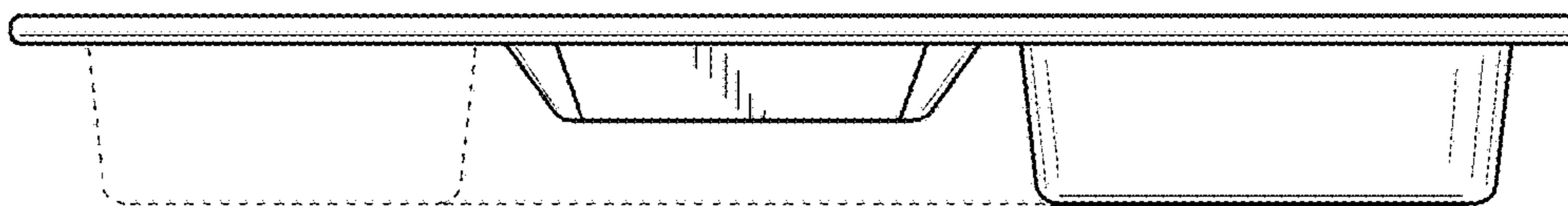


FIG. 3

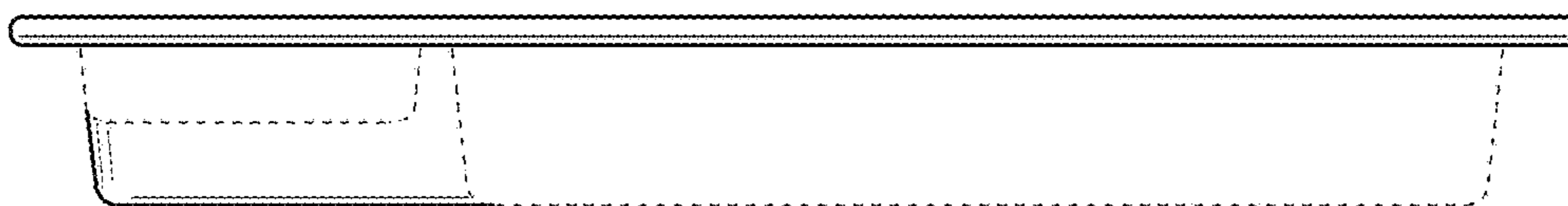


FIG. 4

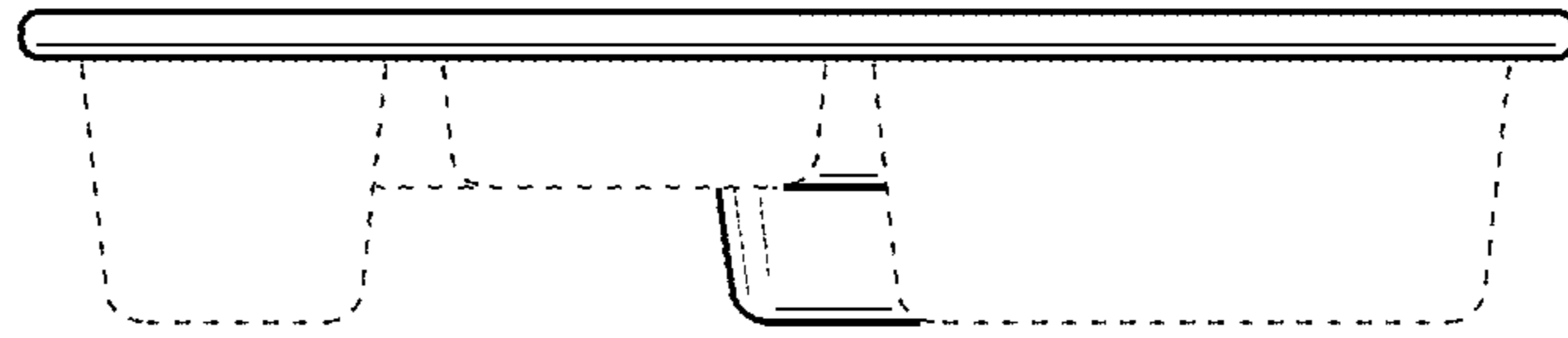


FIG. 5

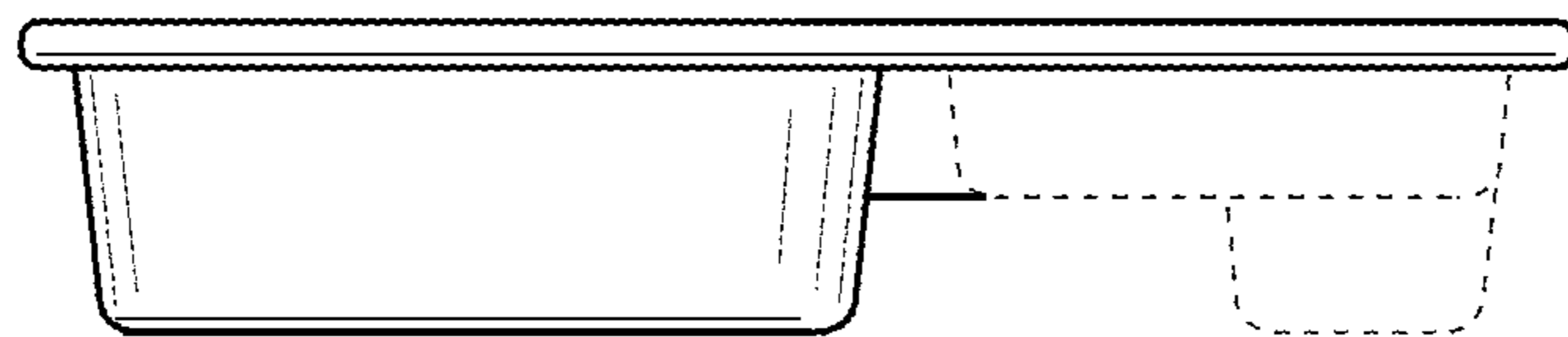


FIG. 6

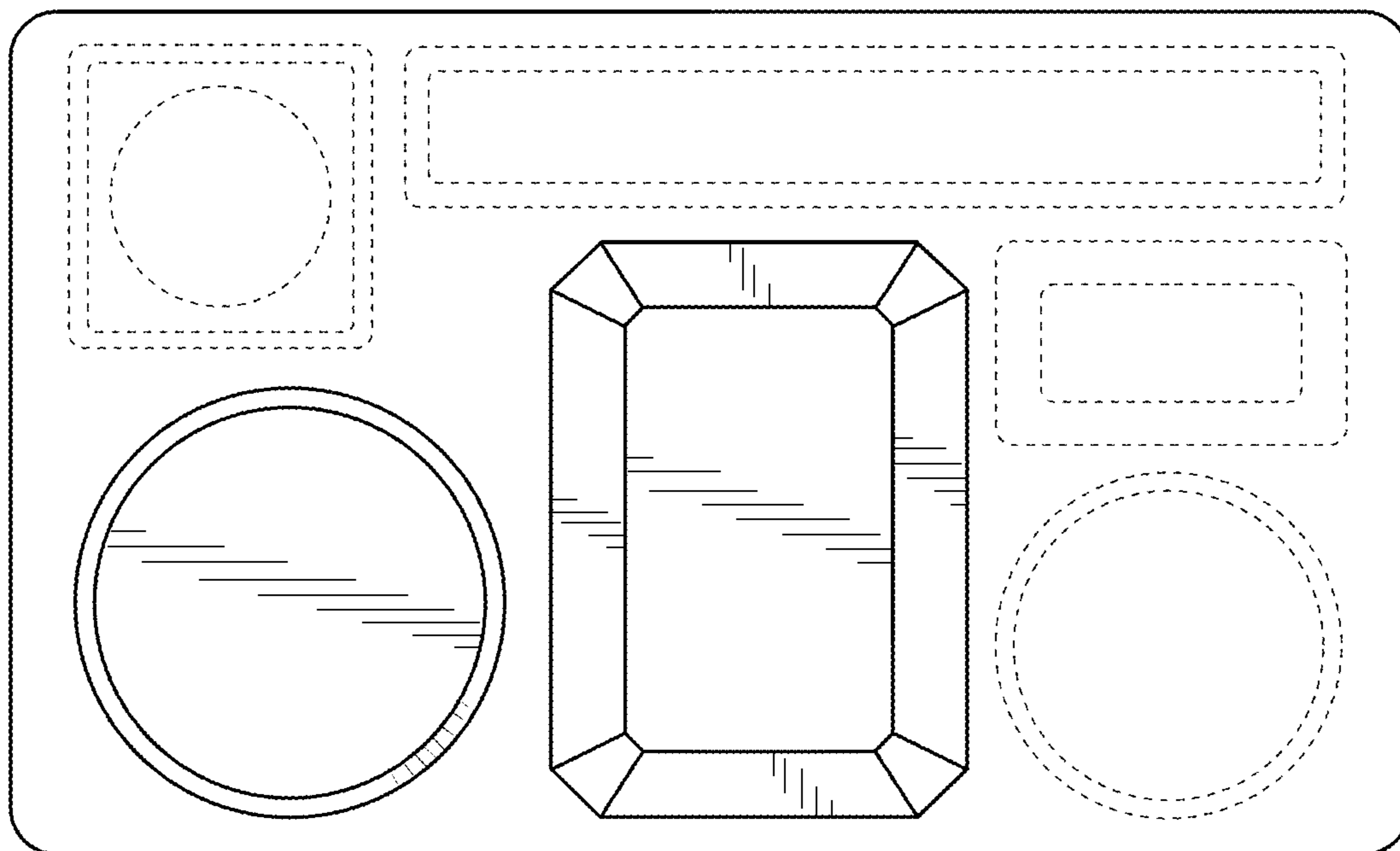


FIG. 7