



US00D836989S

(12) **United States Design Patent**
Tang

(10) **Patent No.:** **US D836,989 S**
(45) **Date of Patent:** **** Jan. 1, 2019**

- (54) **SKEWER ALIGNMENT TRAY WITH LID**
- (71) Applicant: **Kathleen Tang**, San Gabriel, CA (US)
- (72) Inventor: **Kathleen Tang**, San Gabriel, CA (US)
- (**) Term: **15 Years**
- (21) Appl. No.: **29/608,131**
- (22) Filed: **Jun. 19, 2017**
- (51) **LOC (11) Cl.** **07-01**
- (52) **U.S. Cl.**
USPC **D7/553.2**
- (58) **Field of Classification Search**
USPC D7/550.1, 552.2, 553.1, 553.2, 553.5,
D7/554.3, 601-602, 397, 401.1; D9/737,
D9/755-756, 759-761; D3/304, 313, 315
CPC B65D 1/243; B65D 2501/24019; B65D
2501/24165; B65D 11/18; B65D 85/30
See application file for complete search history.

(56) **References Cited**

U.S. PATENT DOCUMENTS

D524,651 S *	7/2006	Perret	D3/304
D635,364 S *	4/2011	Benetti	D3/313
D766,663 S *	9/2016	Bergeron	D7/553.1
D787,186 S *	5/2017	Thurbin	D3/313
D793,252 S *	8/2017	Prince	D9/755
D800,577 S *	10/2017	Matos Rodriguez	D9/762
D805,399 S *	12/2017	Torchin	D9/737
D805,403 S *	12/2017	Matos Rodriguez	D9/758
D806,576 S *	1/2018	Sellari	D9/761
D810,518 S *	2/2018	Miller	D7/667

* cited by examiner

Primary Examiner — Kelley Donnelly

(74) Attorney, Agent, or Firm — Karish & Bjorgum, PC

(57) **CLAIM**

The ornamental design for a skewer alignment tray with lid, as shown and described.

DESCRIPTION

FIG. 1 is a top right isometric view of a first embodiment of a skewer alignment tray with lid of the invention showing the lid engaged with the skewer alignment tray.

FIG. 2 is a top right isometric view of the skewer alignment tray with lid of the invention of FIG. 1 with the lid separated from skewer alignment tray.

FIG. 3 is bottom right isometric view of the skewer alignment tray with lid of the invention of FIG. 2 with the lid separated from skewer alignment tray.

FIG. 4 is top view of the skewer alignment tray and a top view of the lid separated from the skewer alignment tray of the invention of FIG. 1.

FIG. 5 is bottom view of the skewer alignment tray and a bottom view of the lid separated from the skewer alignment tray of the invention of FIG. 1.

FIG. 6 is a front view of the skewer alignment tray and lid separated from the skewer alignment tray of the invention of FIG. 1.

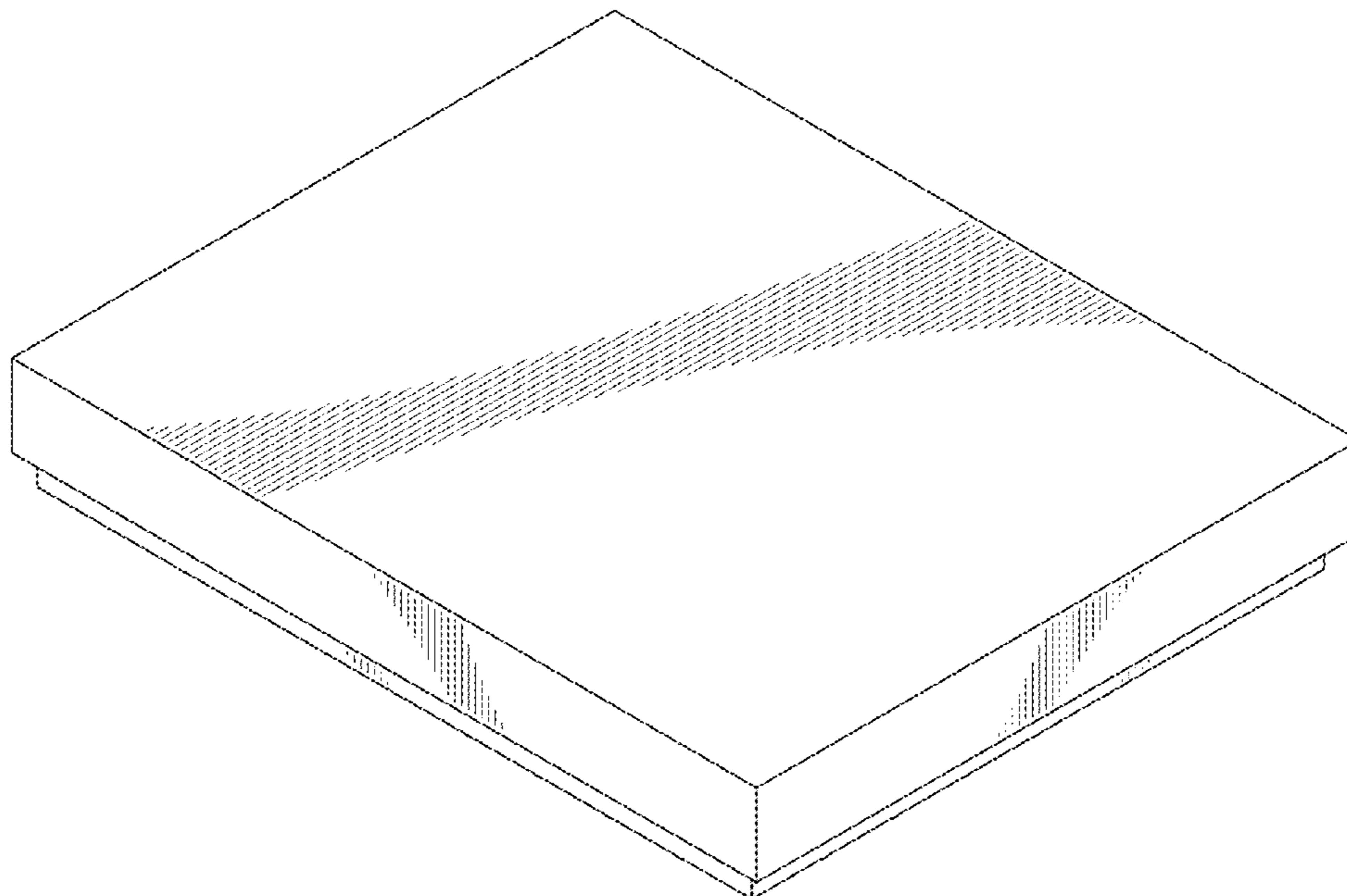
FIG. 7 is a right side view of the skewer alignment tray and lid separated from the skewer alignment tray of the invention of FIG. 1.

FIG. 8 is a cross-sectional view of the skewer alignment tray and lid along view lines 8-8 of FIG. 7; and,

FIG. 9 is a top right isometric view of a second embodiment of a skewer alignment tray with lid of the invention.

The back view of the skewer alignment tray and lid separated from the skewer alignment tray of the invention is not shown, but is a mirror image of FIG. 6, and the left side view of the skewer alignment tray and lid separated from the skewer alignment tray of the invention is not shown, but is a mirror image of FIG. 7.

1 Claim, 7 Drawing Sheets



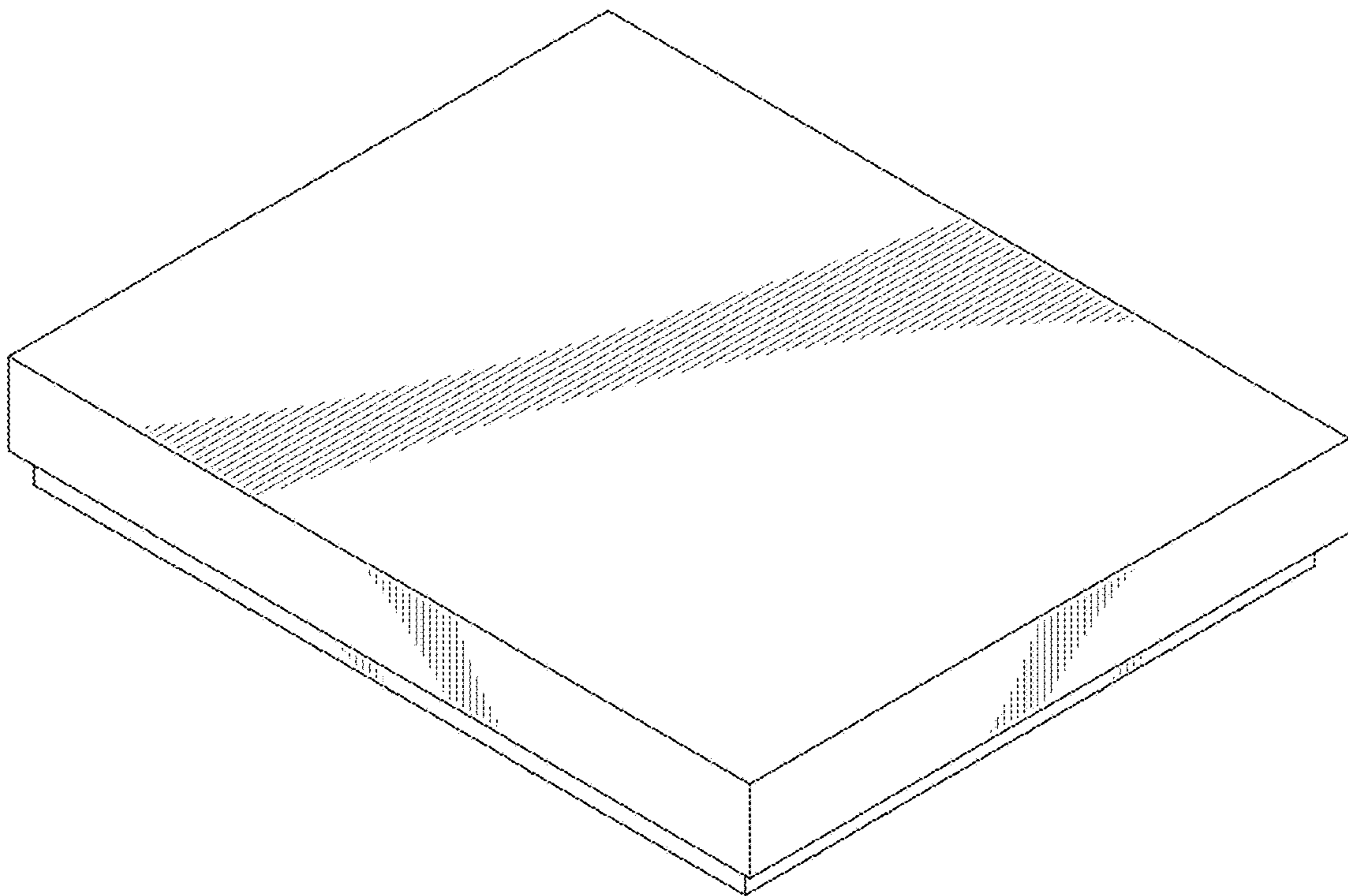
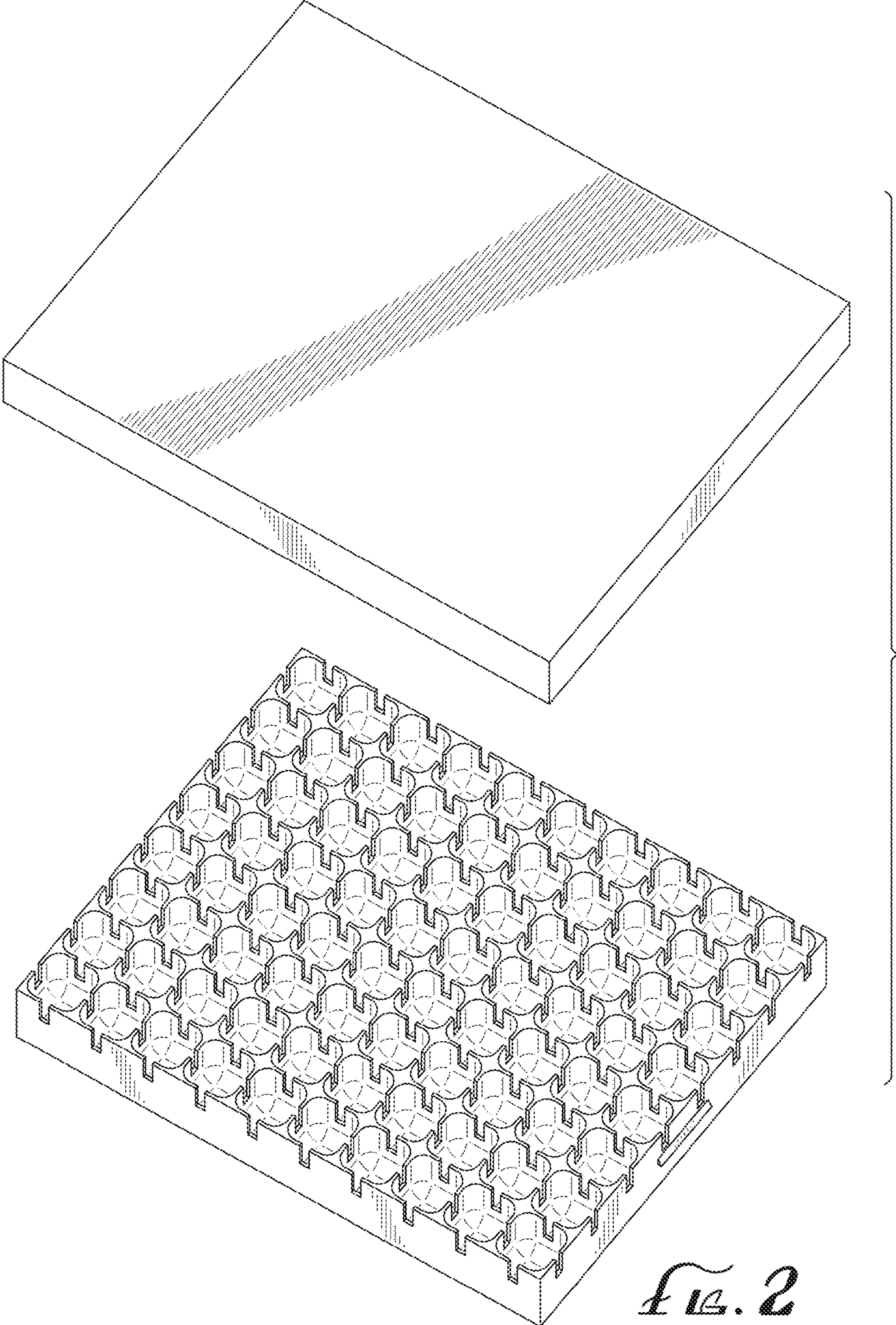


FIG. 1



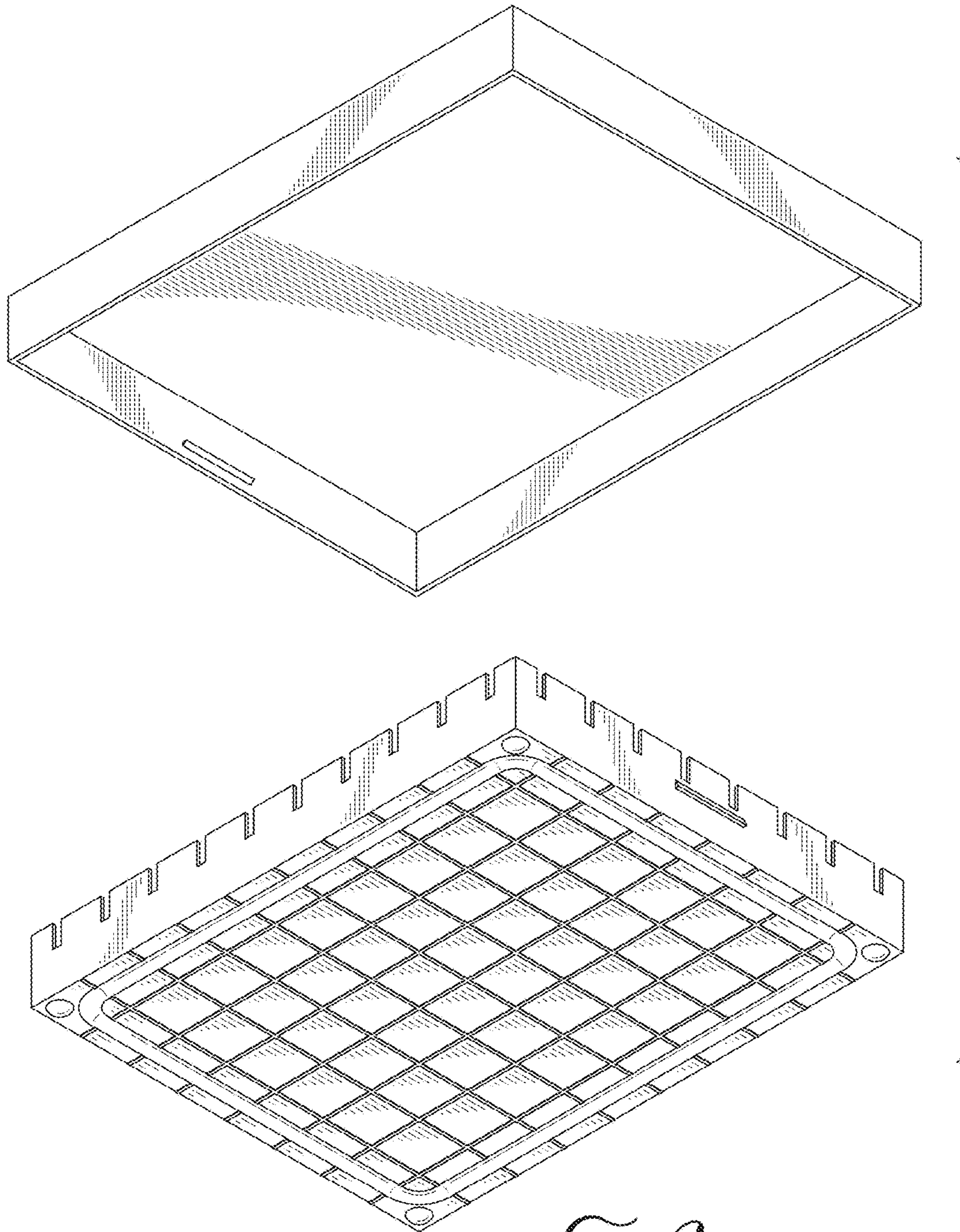


FIG. 3

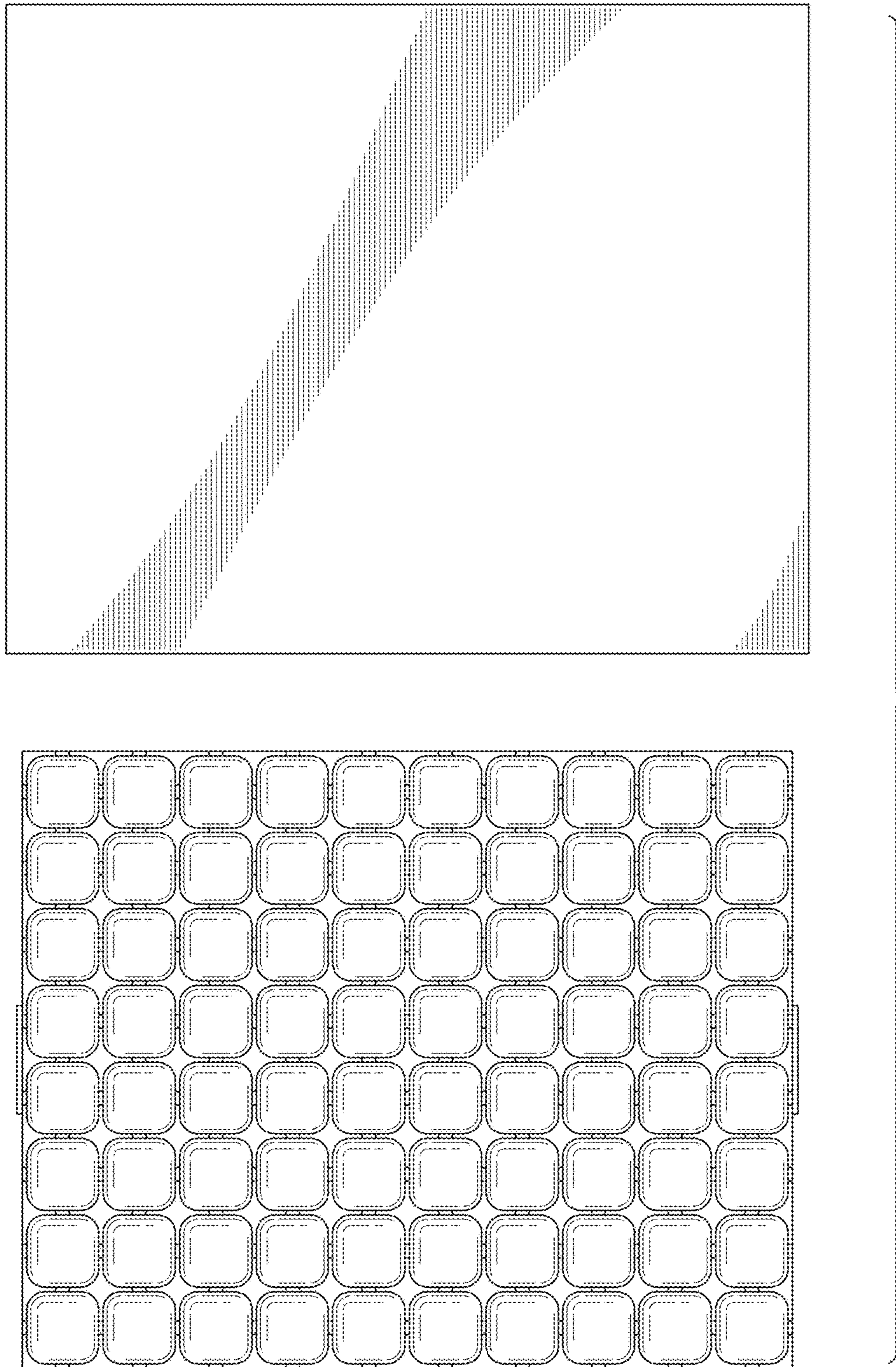


FIG. 4

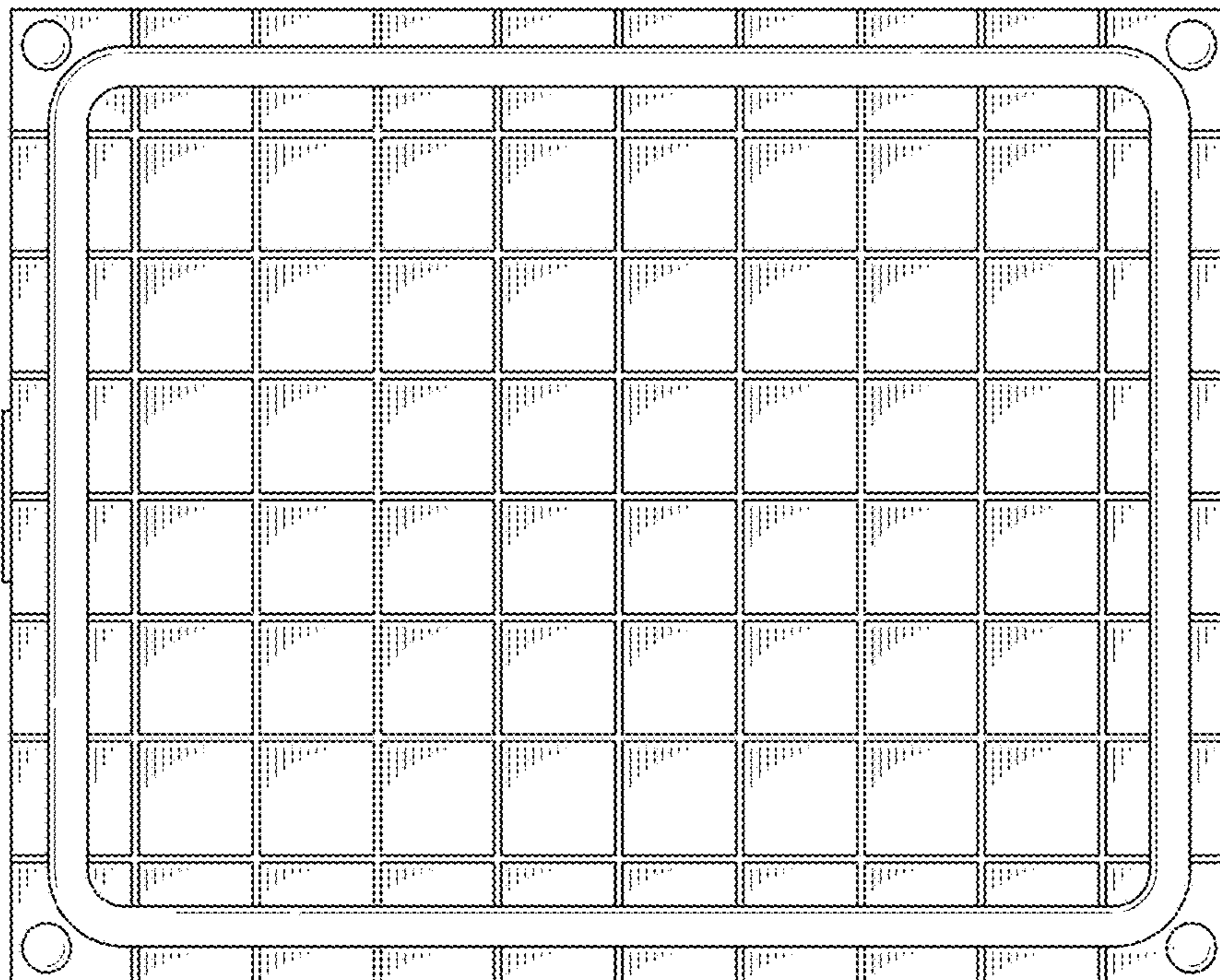
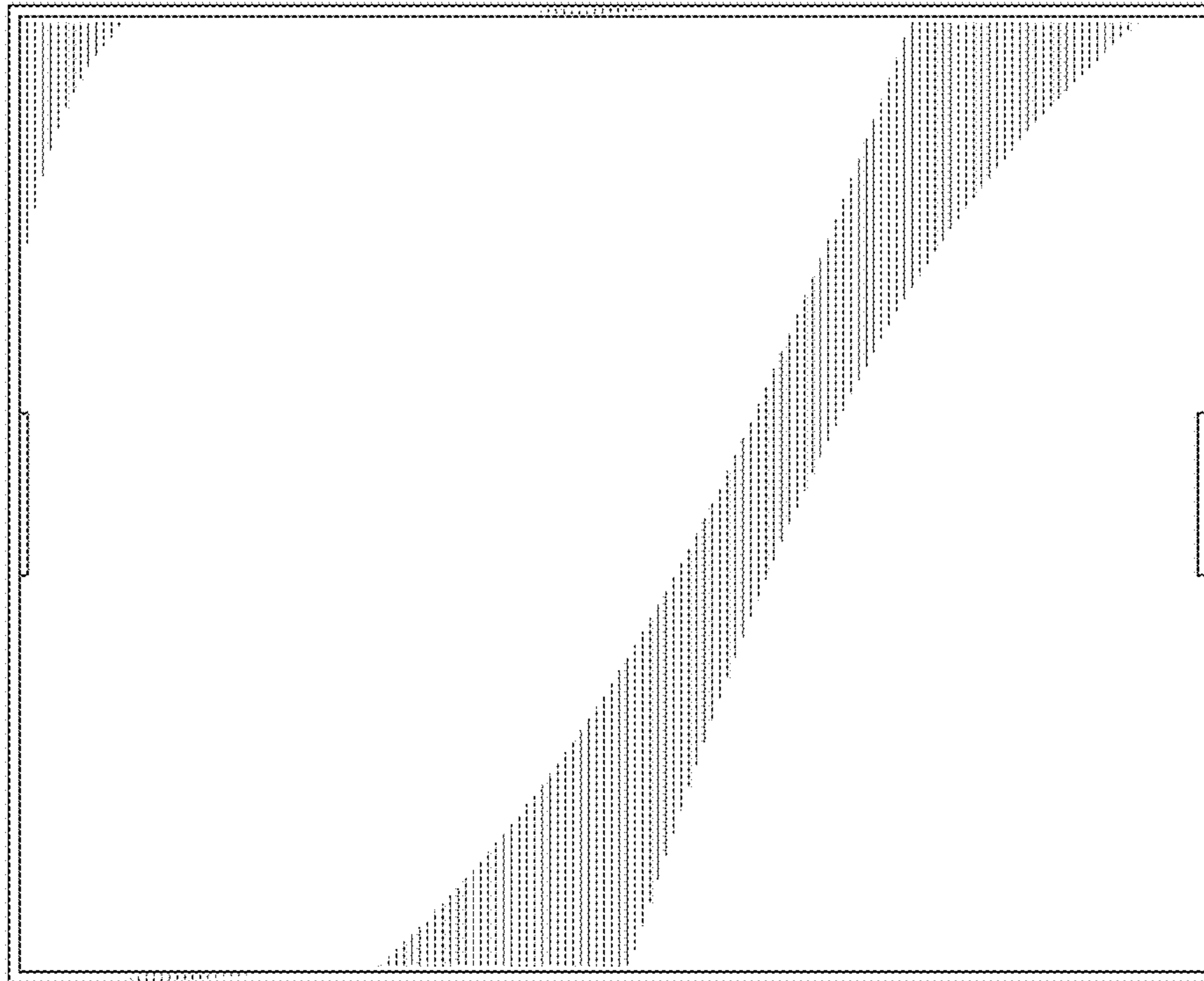


FIG. 5

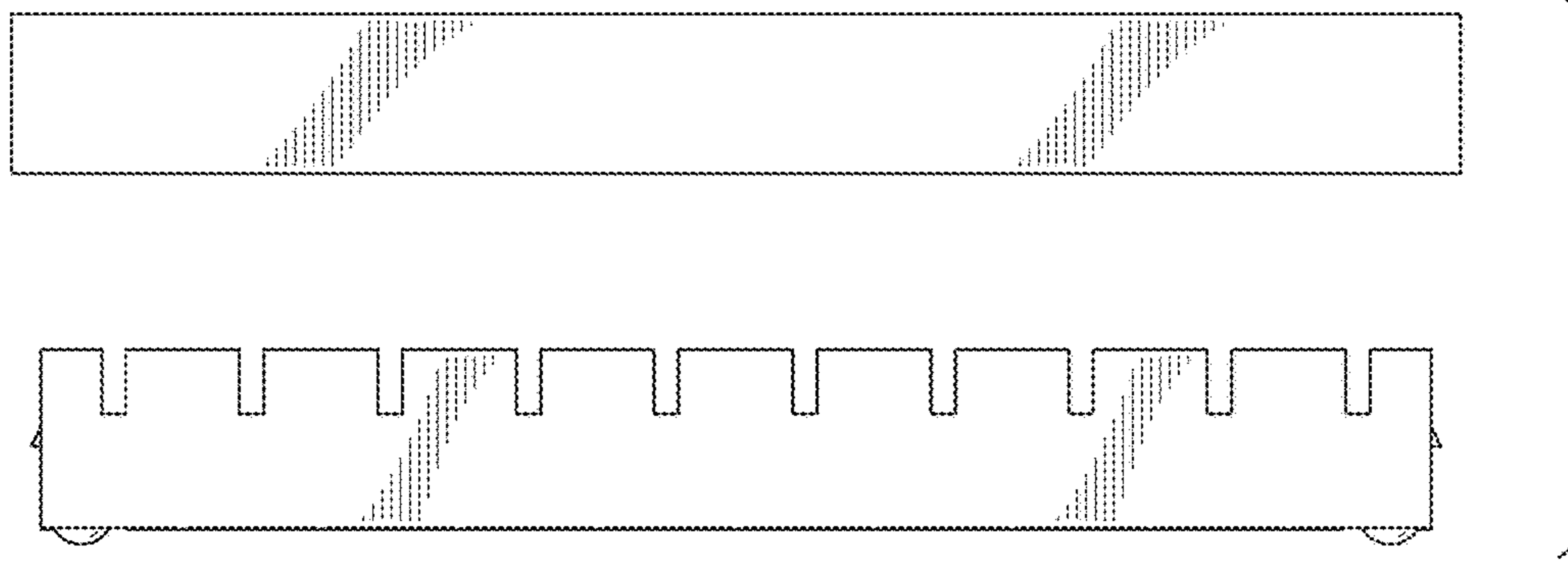
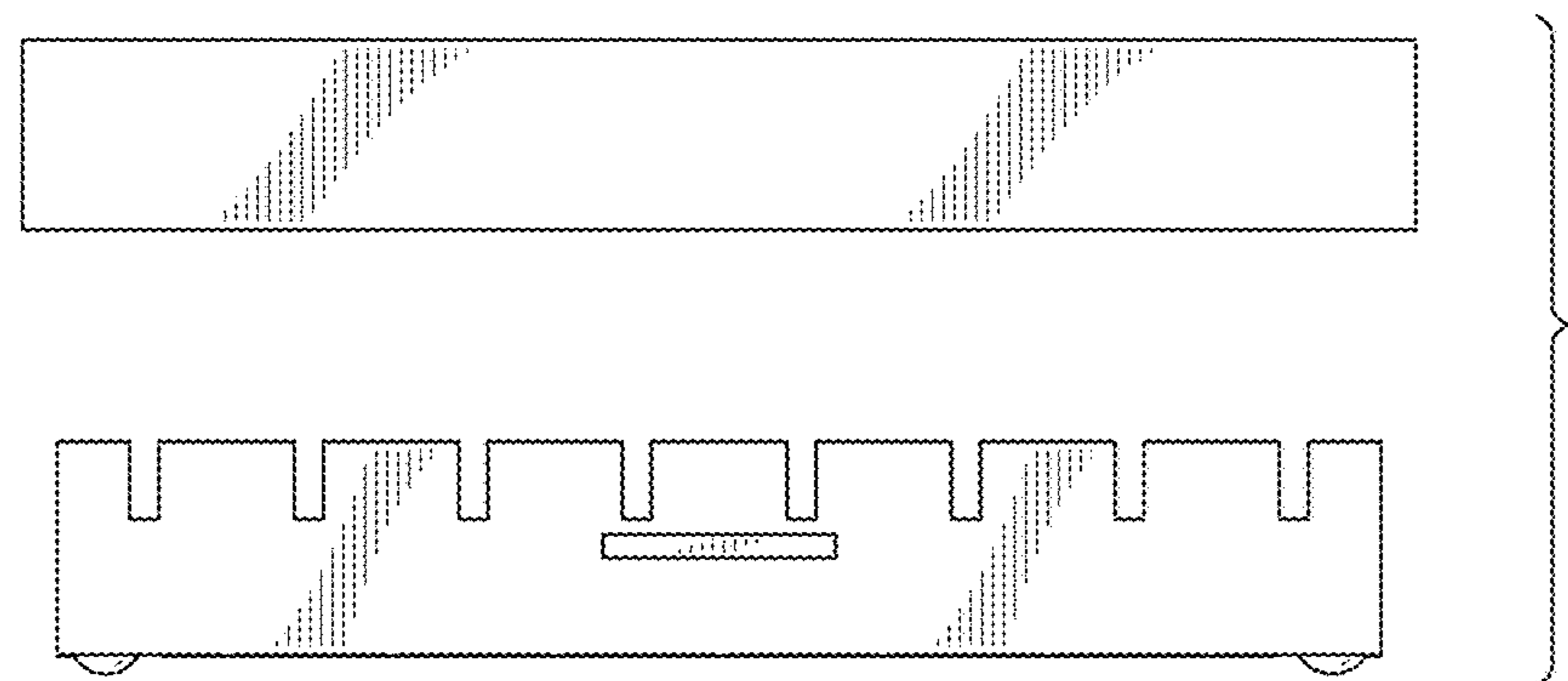


FIG. 6

→ 8



→ 8

FIG. 7

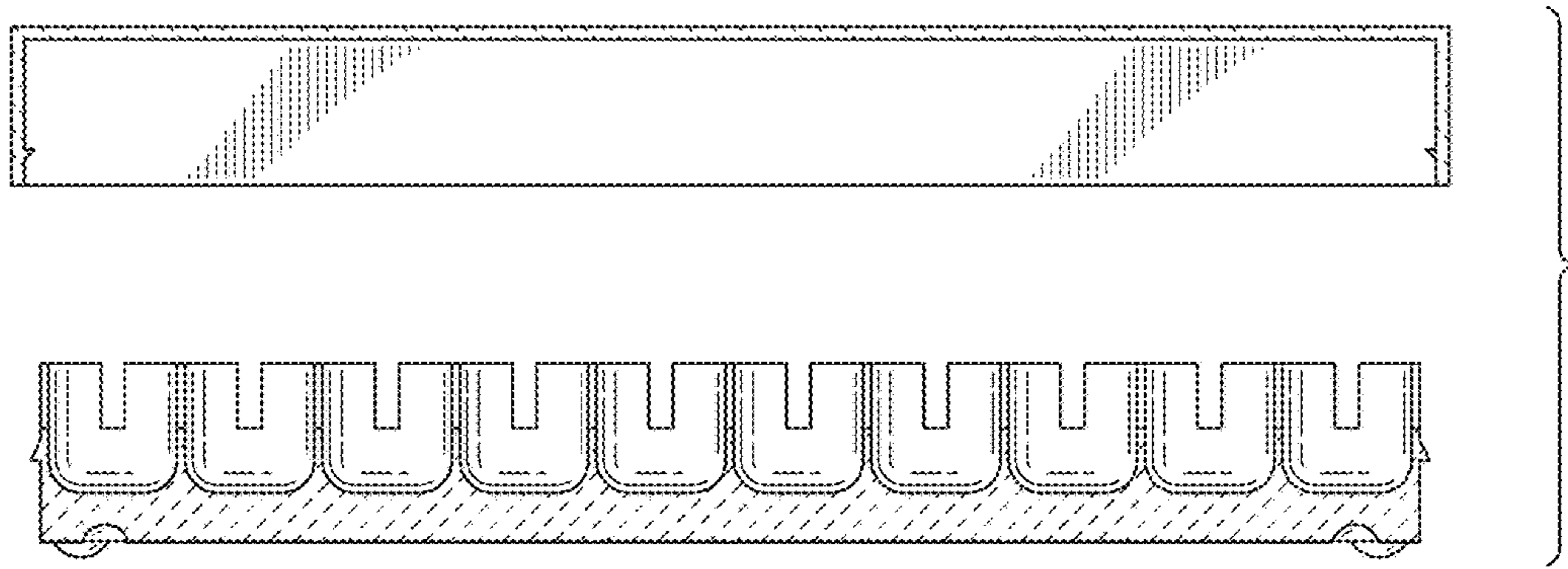


FIG. 8

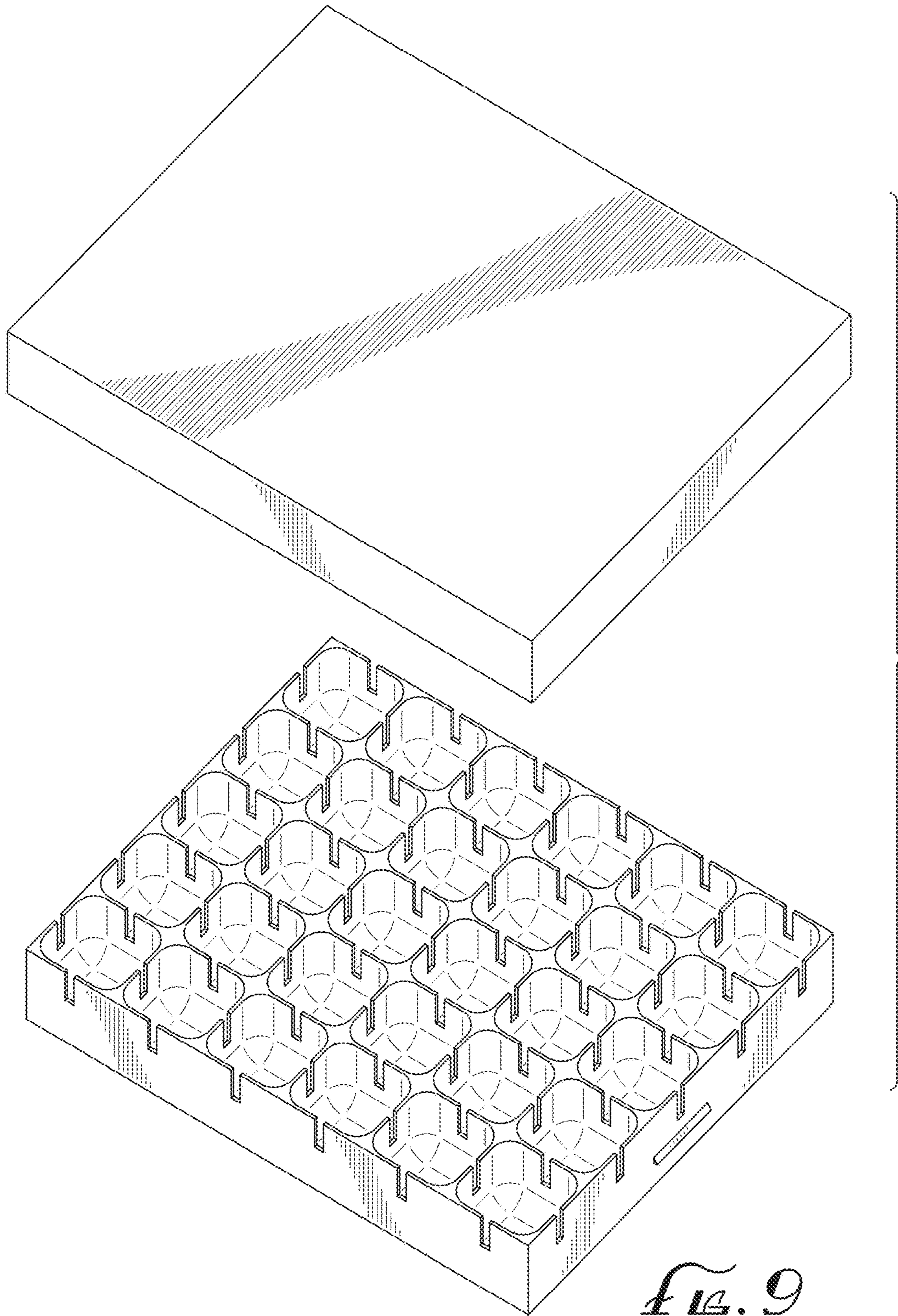


FIG. 9