



US00D836987S

(12) **United States Design Patent**
Schultz

(10) **Patent No.:** **US D836,987 S**

(45) **Date of Patent:** **** Jan. 1, 2019**

- (54) **DRINKING VESSEL**
- (71) Applicant: **JJ Products & Design LLC**, Madison, WI (US)
- (72) Inventor: **Jordon J. Schultz**, Madison, WI (US)
- (**) Term: **15 Years**
- (21) Appl. No.: **29/625,629**
- (22) Filed: **Nov. 10, 2017**
- (51) **LOC (11) Cl.** **07-01**
- (52) **U.S. Cl.**
USPC **D7/513**
- (58) **Field of Classification Search**
USPC D7/500, 507, 509, 513, 601, 602, 701,
D7/619.1; D9/414, 424, 428, 430, 431,
D9/906
CPC . A47G 19/22; A47J 31/06; A45F 3/20; B65B
29/02; B65D 3/06; B65D 3/24
See application file for complete search history.

- 5,092,480 A * 3/1992 Waterston B65F 1/0053
220/23.4
- D466,407 S * 12/2002 Nance D9/424
- D472,426 S * 4/2003 Premji D7/513
- D492,196 S * 6/2004 Hyhlik D9/737
- D577,615 S * 9/2008 Markfelder D10/46.2
- D713,718 S * 9/2014 De Pra D9/424
- D753,482 S * 4/2016 Serrano D9/428
- D818,819 S * 5/2018 Buck D9/416

* cited by examiner

Primary Examiner — Derrick E Holland

Assistant Examiner — Andrew Kerr

(57) **CLAIM**

The ornamental design for a drinking vessel, as shown and described.

DESCRIPTION

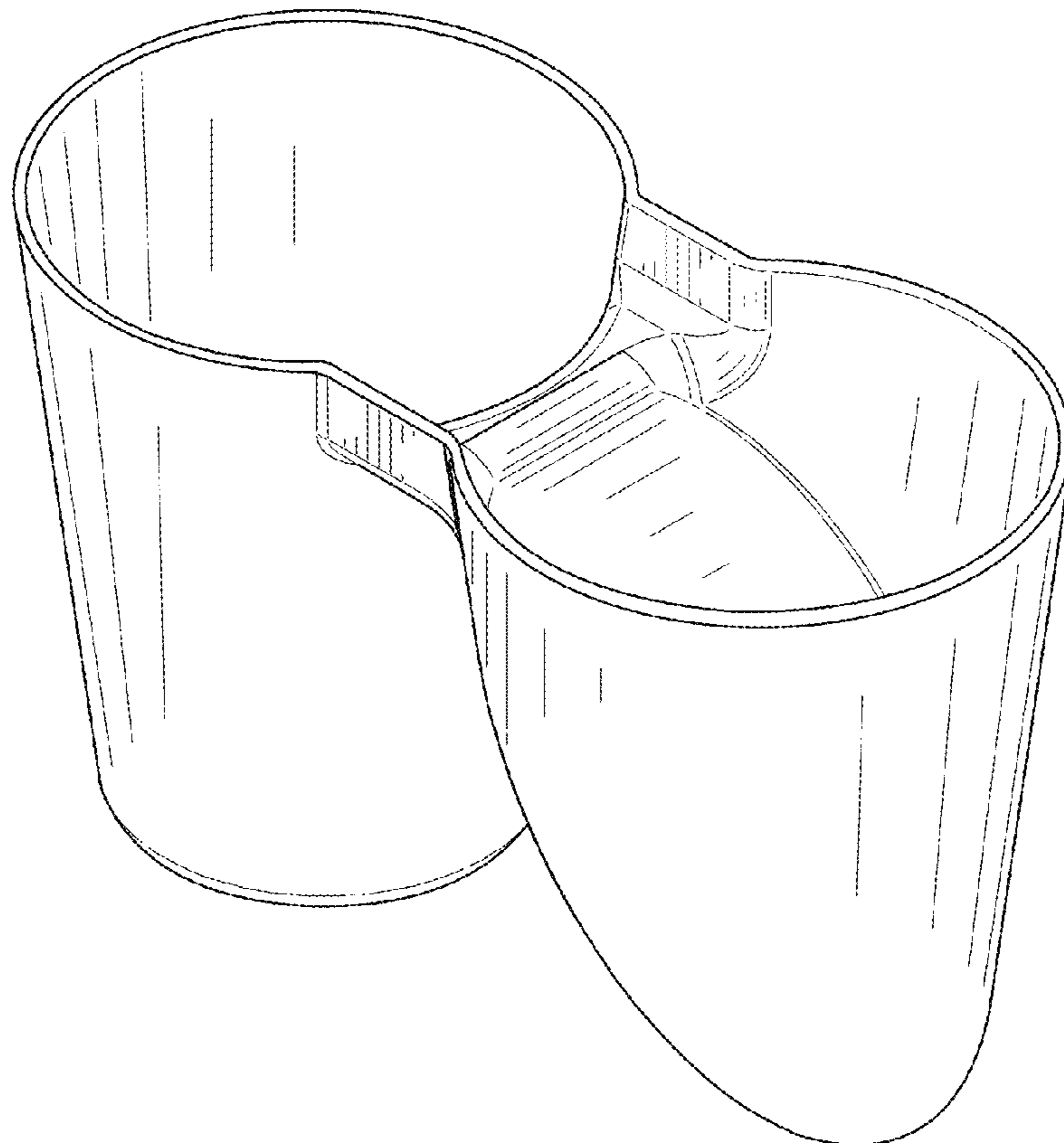
FIG. 1 is a perspective view of a drinking vessel, showing my new design;
 FIG. 2 is a right-side elevation thereof;
 FIG. 3 is a left-side elevation thereof;
 FIG. 4 is a rear elevation thereof;
 FIG. 5 is a front elevation thereof;
 FIG. 6 is a top plan view thereof; and,
 FIG. 7 is a bottom plan view thereof.

1 Claim, 7 Drawing Sheets

(56) **References Cited**

U.S. PATENT DOCUMENTS

- 1,496,989 A * 6/1924 Kidney A45D 27/14
16/425
- D261,465 S * 10/1981 Minchew D30/130



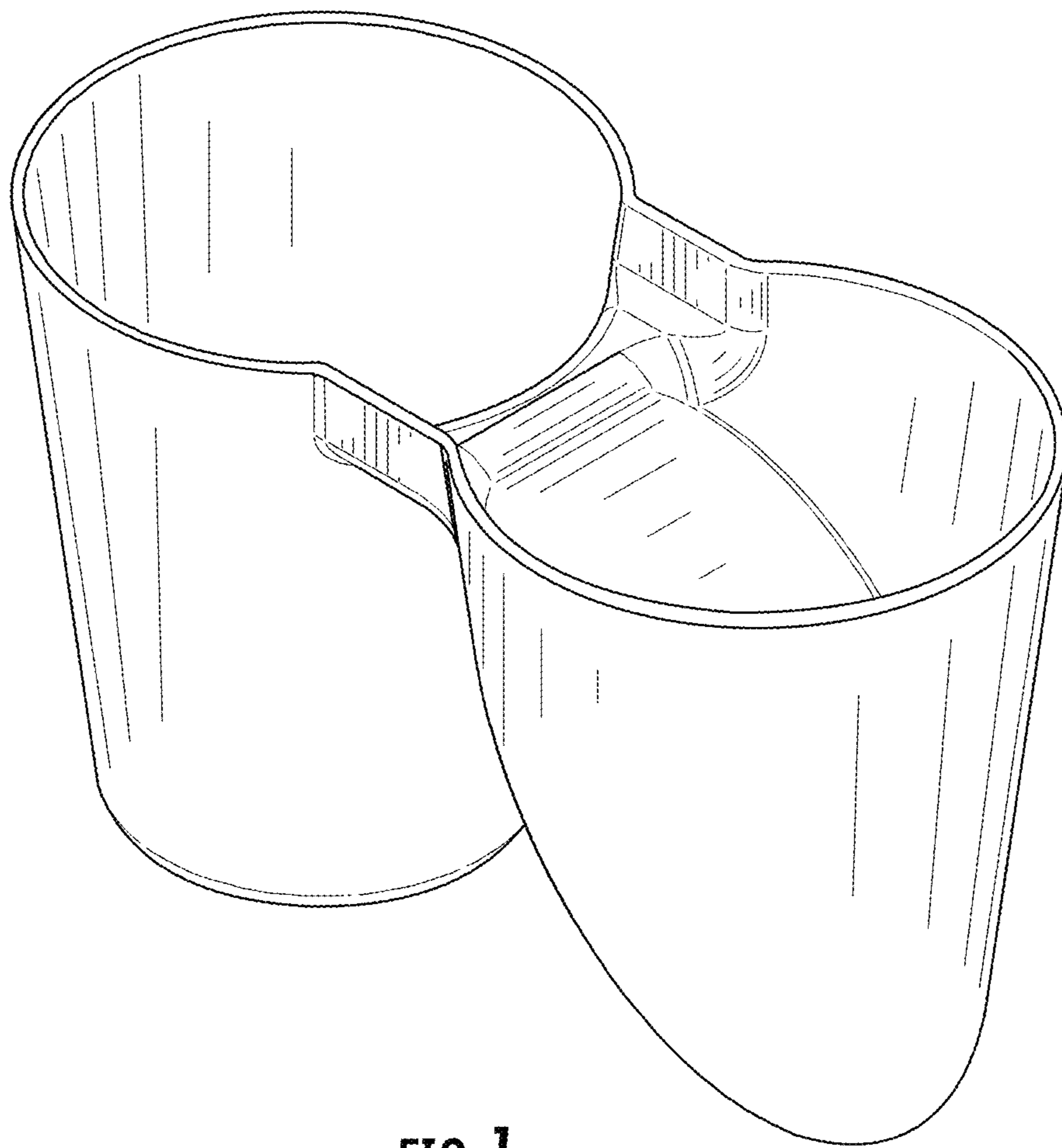


FIG. 1

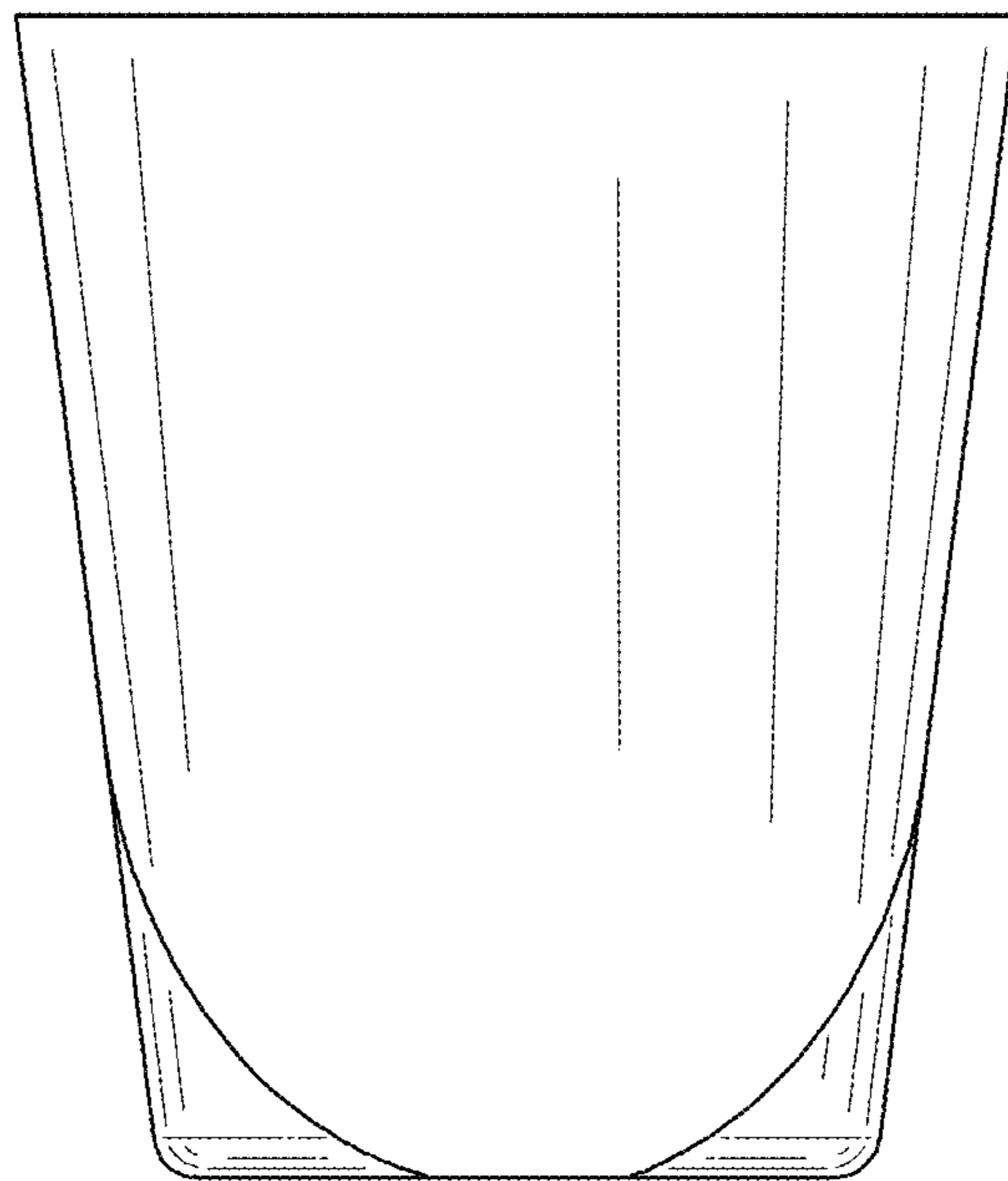


FIG. 2

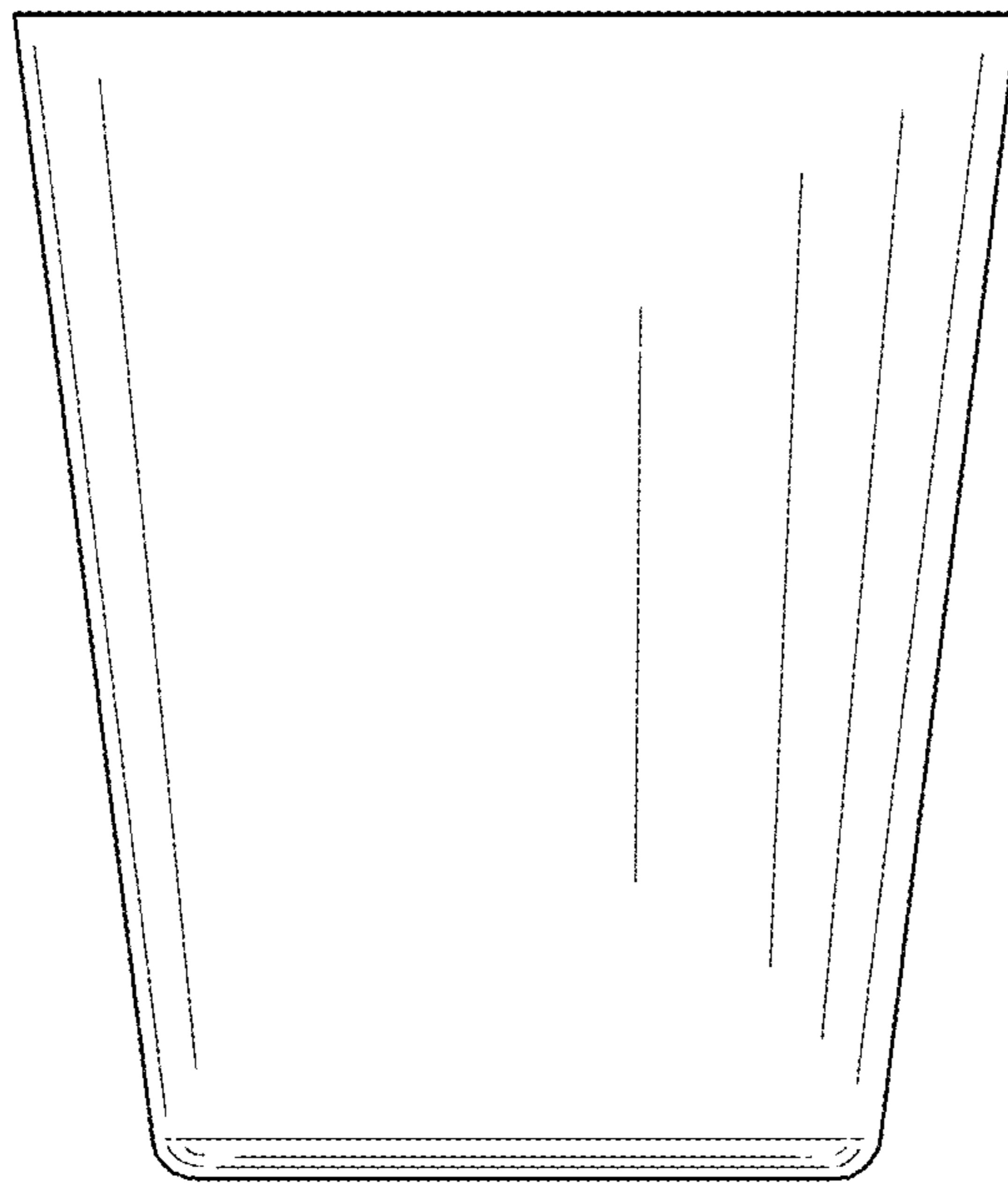


FIG. 3

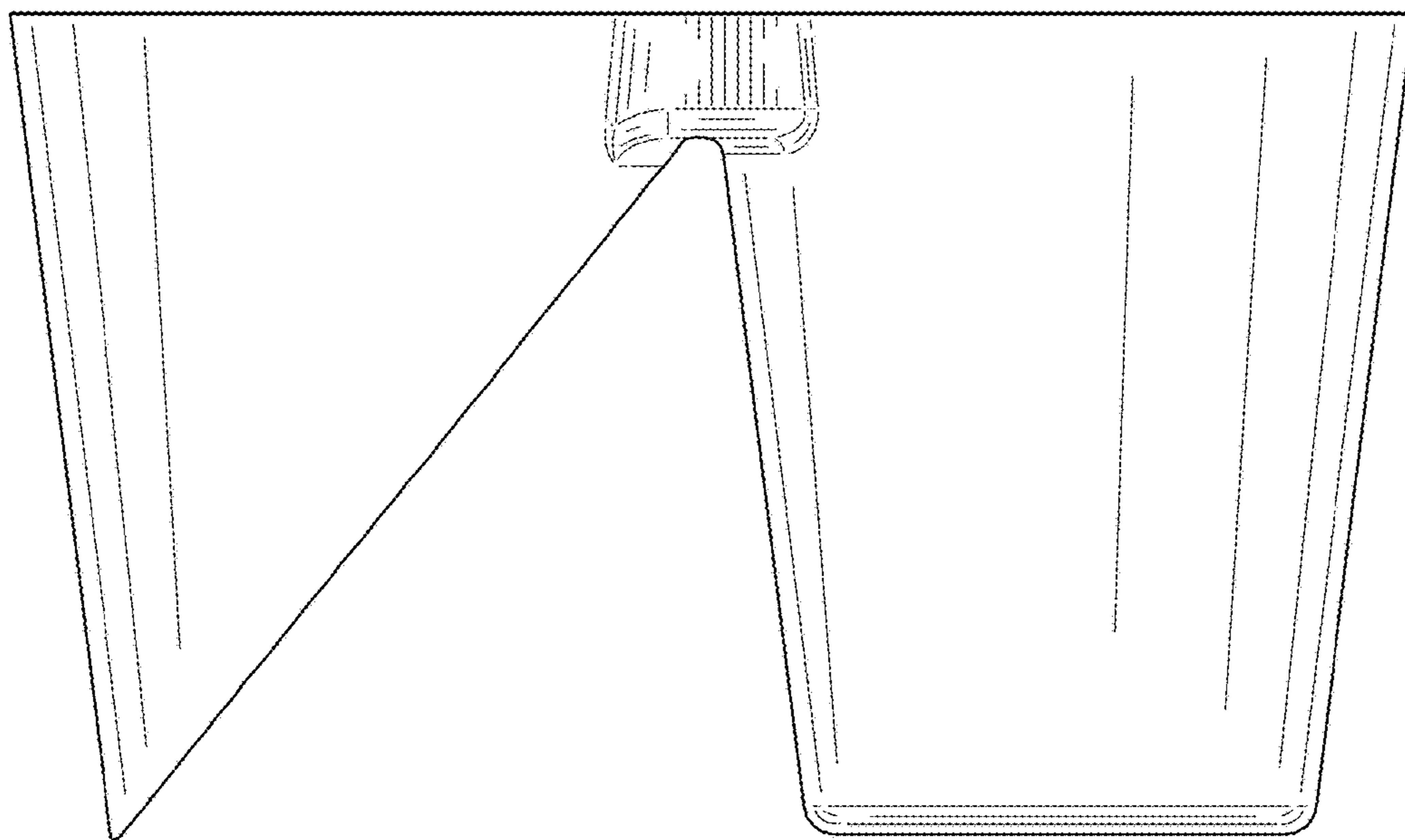


FIG. 4

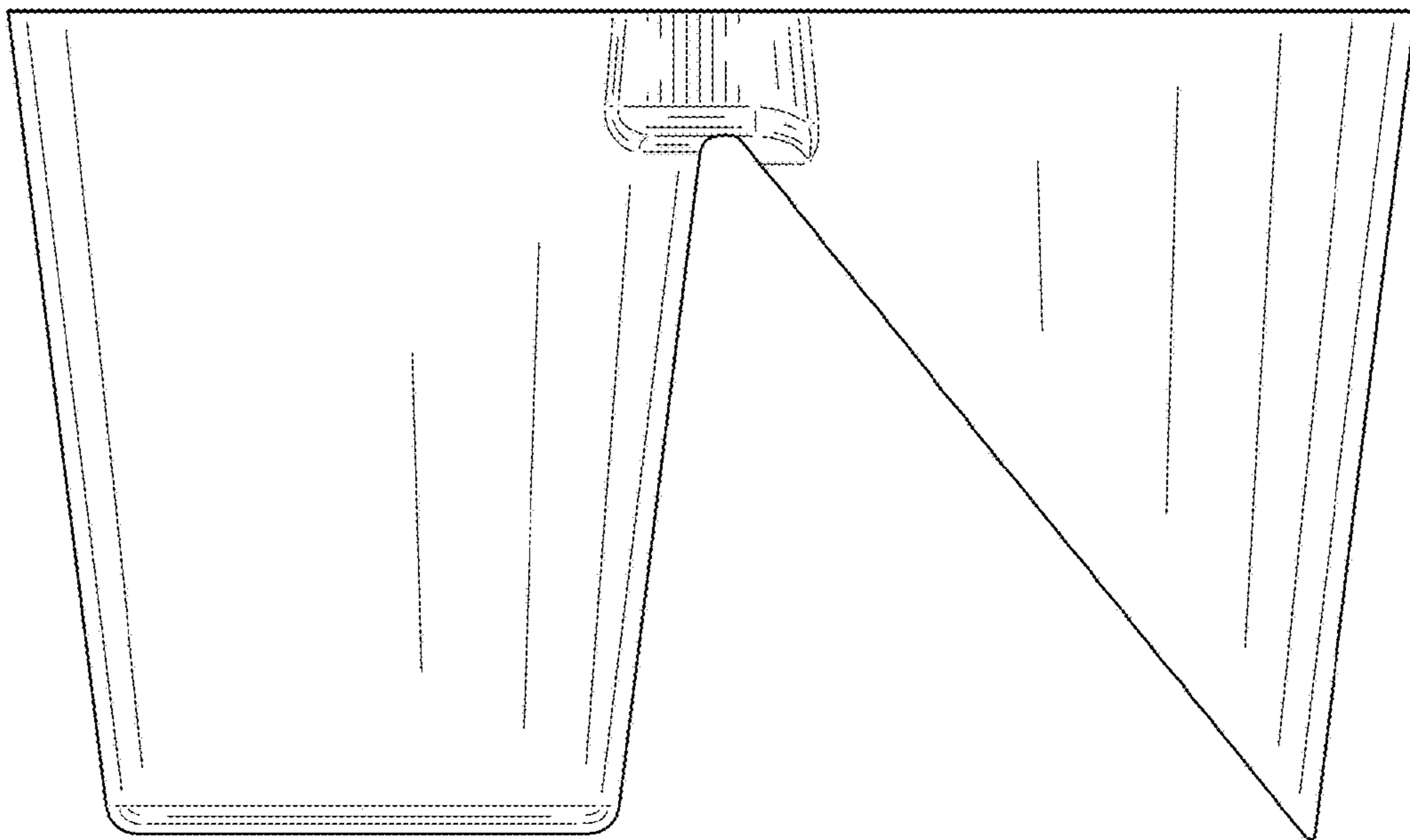


FIG. 5

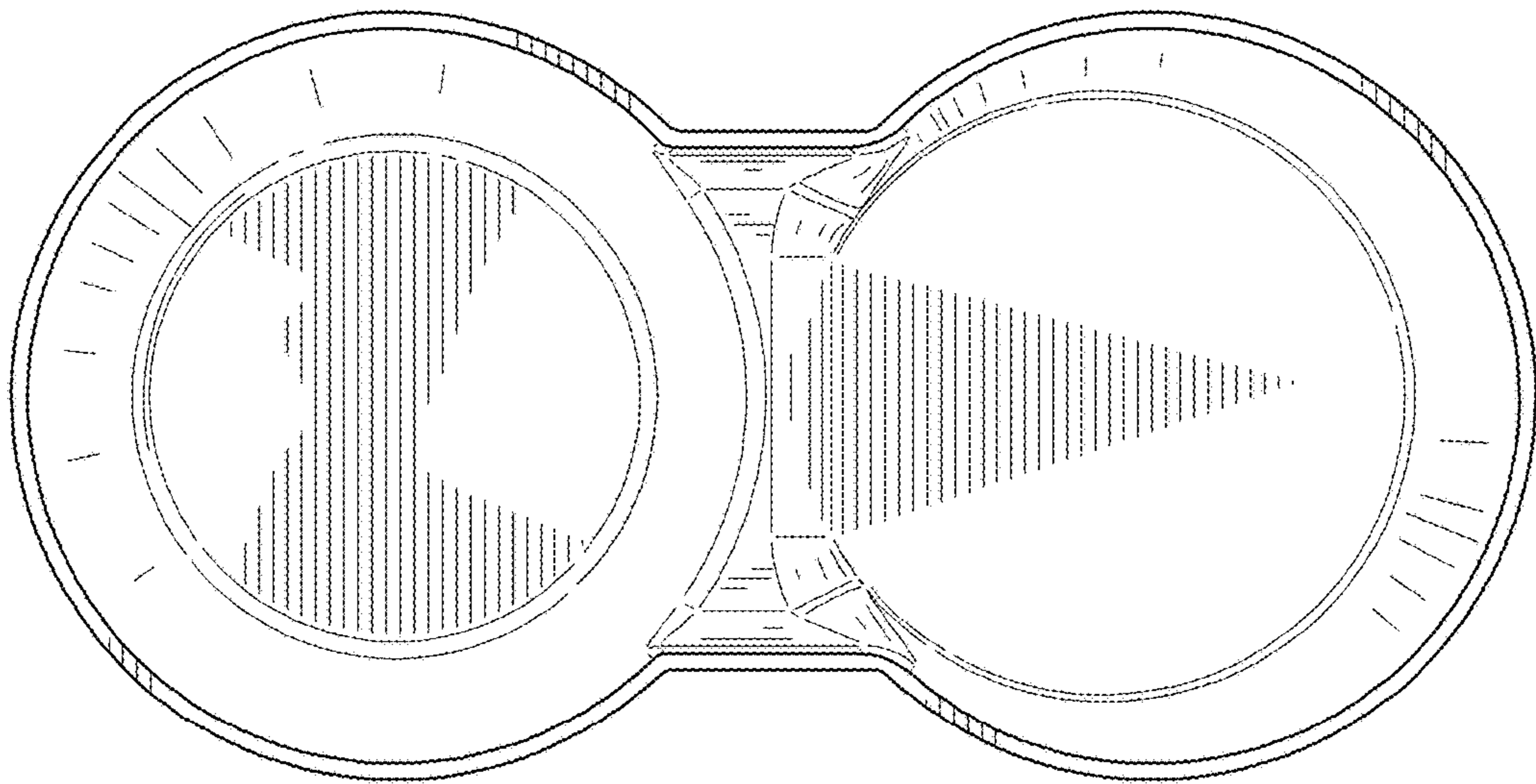


FIG. 6

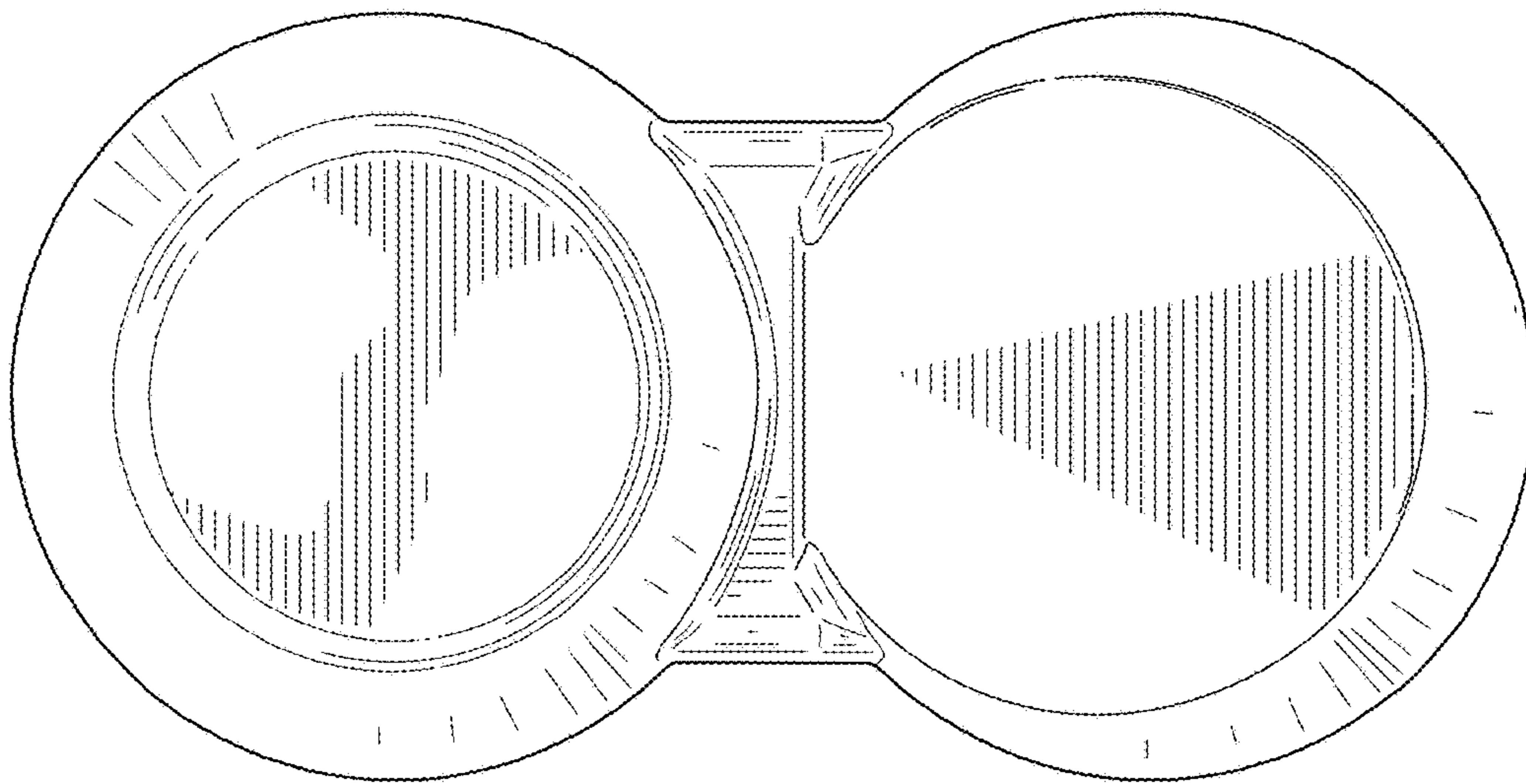


FIG. 7