

US00D836983S

(12) **United States Design Patent**  
**Jacob**

(10) **Patent No.:** **US D836,983 S**  
(45) **Date of Patent:** **\*\* Jan. 1, 2019**

(54) **BEVERAGE SYSTEM**

(71) Applicant: **BruMate, LLC**, Indianapolis, IN (US)

(72) Inventor: **Dylan M. Jacob**, Indianapolis, IN (US)

(73) Assignee: **BruMate, LLC**, Indianapolis, IN (US)

(\*\*) Term: **15 Years**

(21) Appl. No.: **29/594,947**

(22) Filed: **Feb. 23, 2017**

(51) **LOC (11) Cl.** ..... **07-01**

(52) **U.S. Cl.**

USPC ..... **D7/510**; D7/511; D7/529

(58) **Field of Classification Search**

USPC ..... D7/505, 507, 509–511, 523, 527, 529,  
D7/531, 532, 300.1, 591, 608, 392.1,  
D7/396.2; D9/530, 504, 538; 220/200,  
220/592.16, 592.17

CPC ..... A47G 19/22; A47G 19/2205; A47G  
19/2227; A45F 3/16; A47J 43/27

See application file for complete search history.

(56) **References Cited**

U.S. PATENT DOCUMENTS

D373,704 S	9/1996	Doxey	
D398,479 S	9/1998	Vultaggio et al.	
D416,198 S *	11/1999	Lindsay	D9/520
D492,546 S *	7/2004	Bodum	D7/510
D501,362 S *	2/2005	Gauss	D7/509
D534,762 S	1/2007	Gluck	
D539,155 S *	3/2007	Steinmann	D9/530
D539,657 S *	4/2007	Webb	D9/539
D541,665 S *	5/2007	Druart	D9/538
D551,984 S	10/2007	La Kier et al.	
D557,140 S *	12/2007	Voight	D9/530
D591,556 S	5/2009	Fuller	
D602,362 S *	10/2009	Hering	D9/521
7,628,285 B2 *	12/2009	Salvia	B65D 23/102 215/384

D635,019 S	3/2011	Goto et al.	
D641,591 S *	7/2011	Tsukida	D7/608
8,033,407 B2 *	10/2011	Minca	A47J 41/0072 215/11.6

(Continued)

*Primary Examiner* — Marianne N Pandozzi

*Assistant Examiner* — Jae Liang

(74) *Attorney, Agent, or Firm* — Reichel Stohry LLP;  
Mark C. Reichel; Natalie J. Dean

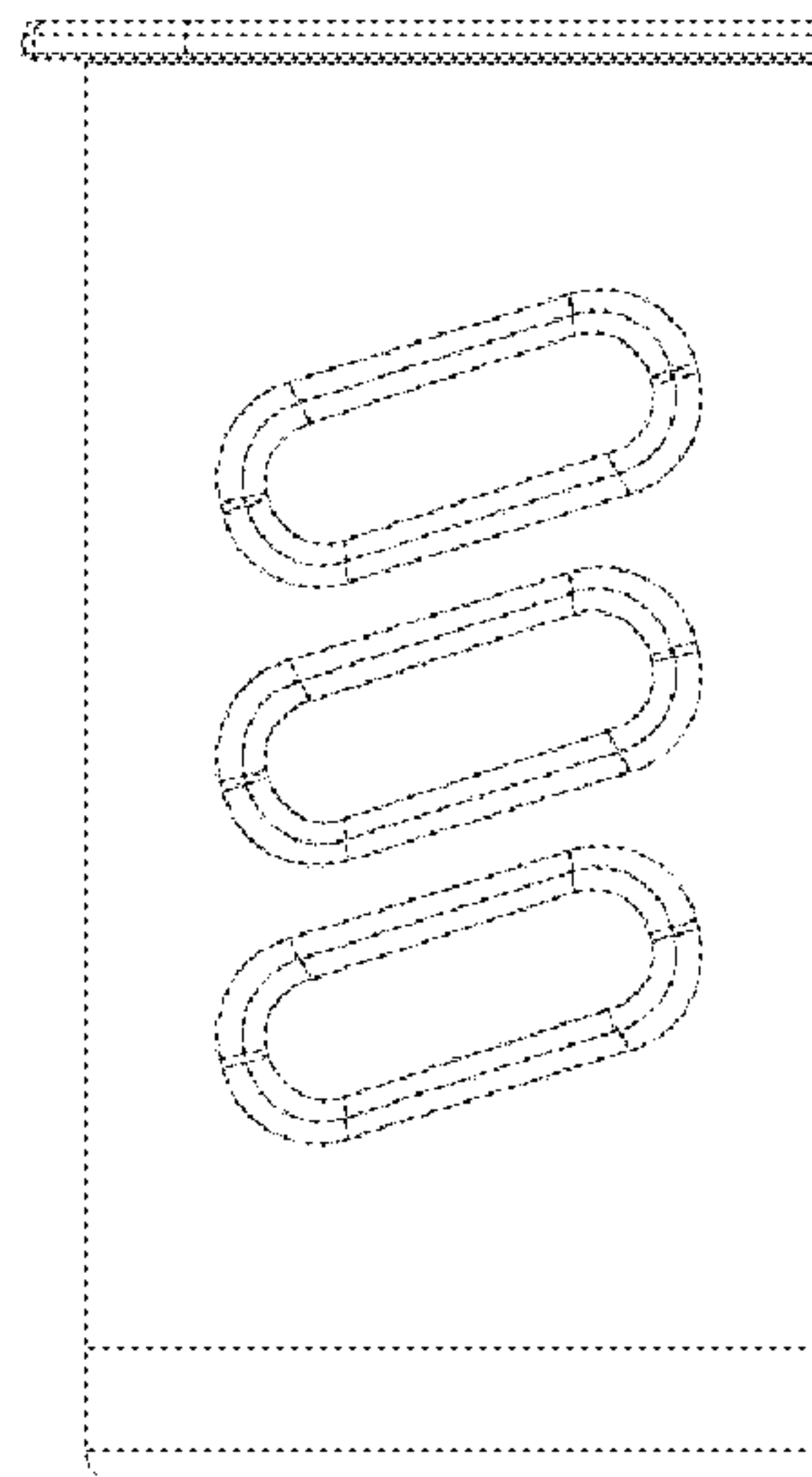
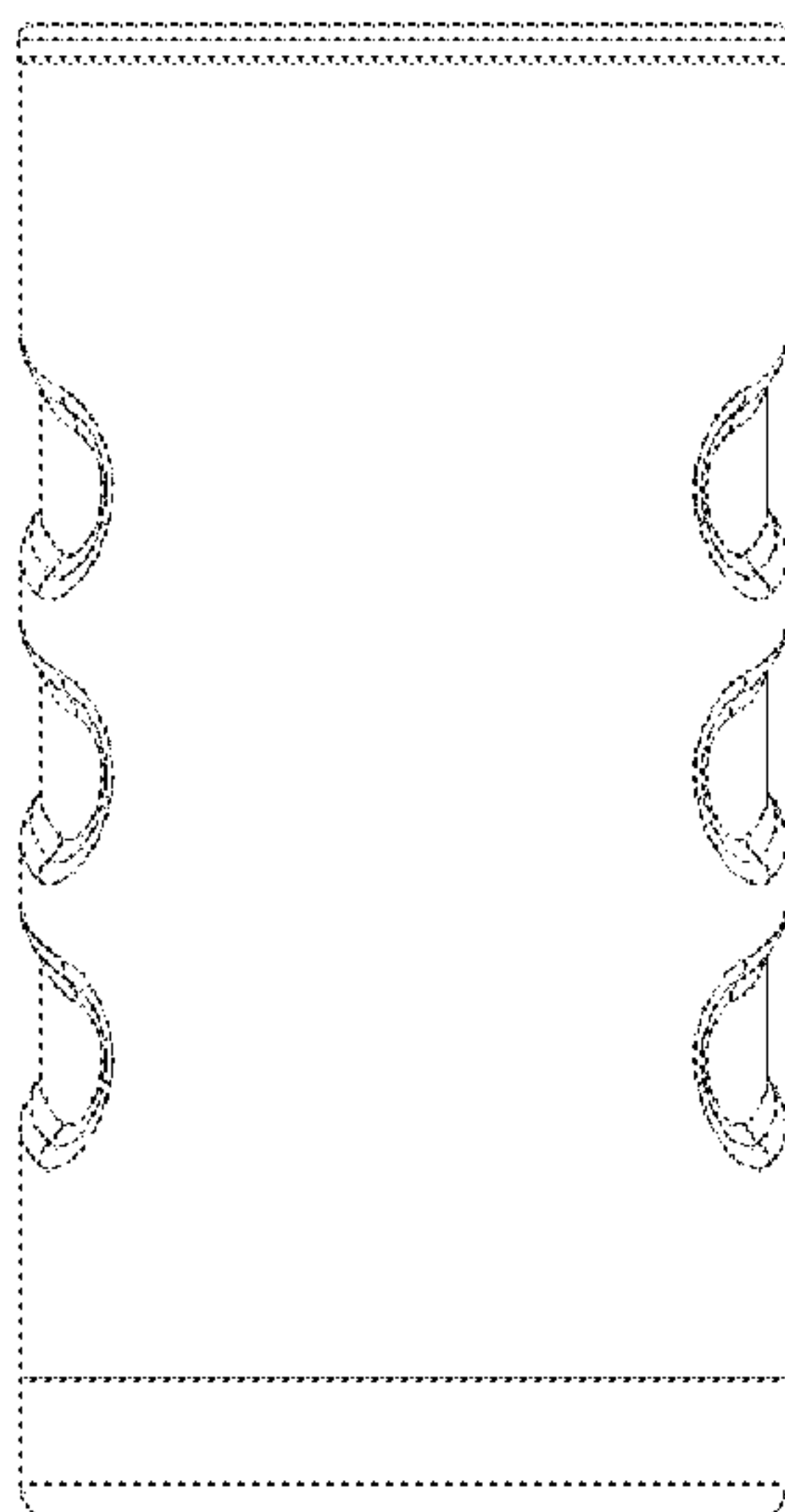
(57) **CLAIM**

The ornamental design for a beverage system, as shown and described.

**DESCRIPTION**

FIG. 1 is a front view of a beverage system showing our new design;  
 FIG. 2 is a rear view thereof;  
 FIG. 3 is a right side view thereof;  
 FIG. 4 is a left side view thereof;  
 FIG. 5 is a top view thereof;  
 FIG. 6 is bottom view thereof;  
 FIG. 7 is an exploded perspective view thereof;  
 FIG. 8 is a top view of the lid portion shown in FIG. 1 with the container portion removed for ease of illustration;  
 FIG. 9 is a side view of FIG. 8;  
 FIG. 10 is a bottom view of FIG. 8;  
 FIG. 11 is a second side view of FIG. 8;  
 FIG. 12 is a front view of the container portion shown in FIG. 1 with the lid portion removed for ease of illustration;  
 FIG. 13 is a rear view of FIG. 12;  
 FIG. 14 is a right side view of FIG. 12;  
 FIG. 15 is a left side view of FIG. 12;  
 FIG. 16 is a top view of FIG. 12;  
 FIG. 17 is a bottom view of FIG. 12; and,  
 FIG. 18 is a perspective view of FIG. 12.  
 The broken lines in the drawing depict portions of the beverage system that form no part of the claimed design.

**1 Claim, 16 Drawing Sheets**



(56)

**References Cited**

U.S. PATENT DOCUMENTS

D654,762 S *	2/2012	Gilbert .....	D7/510
D660,084 S *	5/2012	Gilbert .....	D7/510
D664,045 S *	7/2012	Toh .....	D9/538
D690,988 S	10/2013	Audette	
D707,087 S	6/2014	Joy	
D727,093 S	4/2015	Lapsker	
D727,688 S	4/2015	Hewitt et al.	
D728,314 S *	5/2015	Carstensen .....	D7/510
D732,968 S	6/2015	Heisner et al.	
D750,497 S	3/2016	Gibbs et al.	
D761,618 S	7/2016	Lapsker	
D761,623 S	7/2016	Leimone	
D761,624 S *	7/2016	McLean .....	D7/507
D770,851 S *	11/2016	Herbst .....	D7/509
D773,296 S	12/2016	Lynd et al.	
D775,495 S	1/2017	Boroski et al.	
D780,530 S *	3/2017	Seiders .....	D7/608
D784,763 S *	4/2017	Oshana .....	D7/509
D786,700 S *	5/2017	Schlatter .....	D9/729
2014/0205725 A1 *	7/2014	Albanese .....	A47J 31/20 426/433

\* cited by examiner

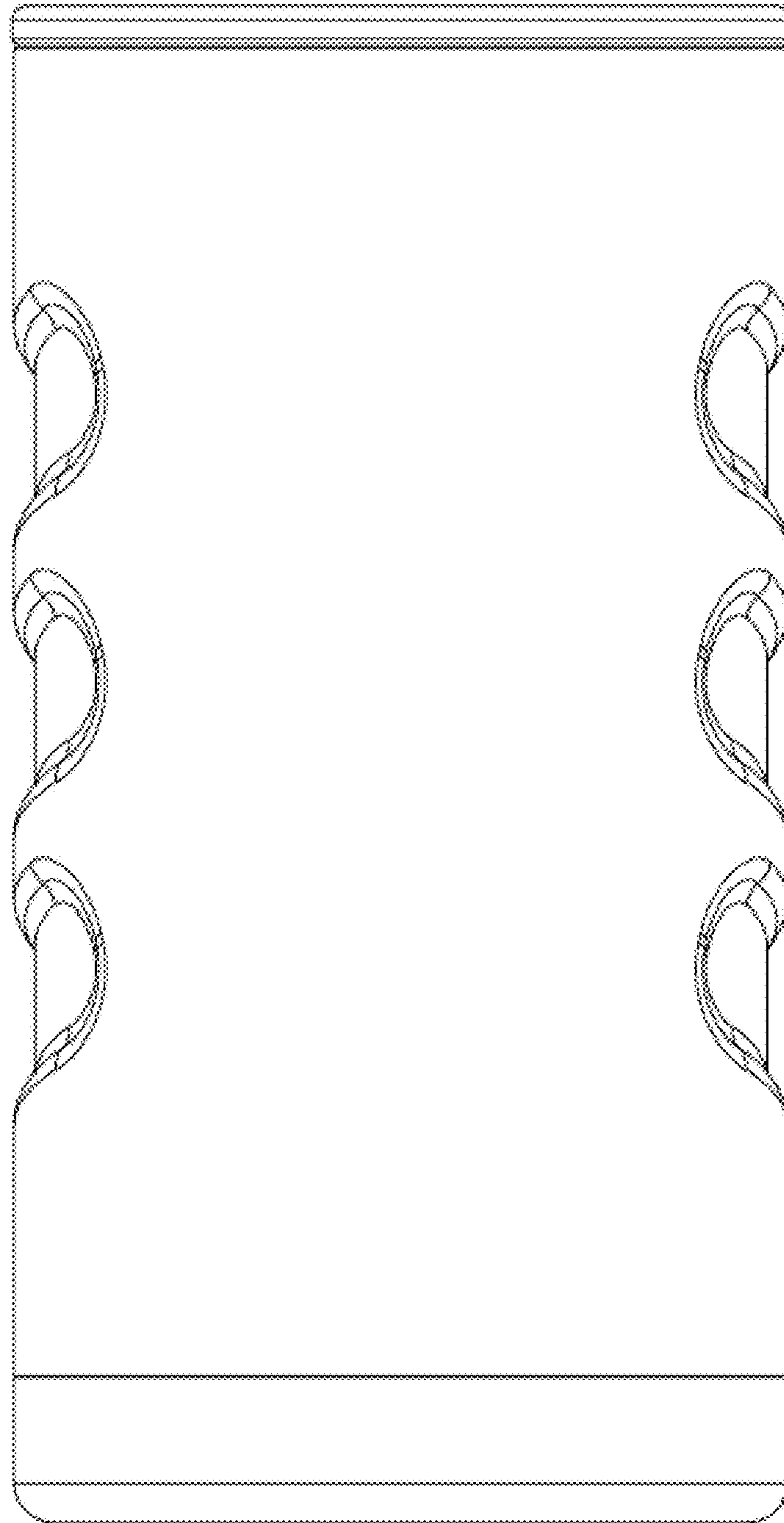


FIG. 1

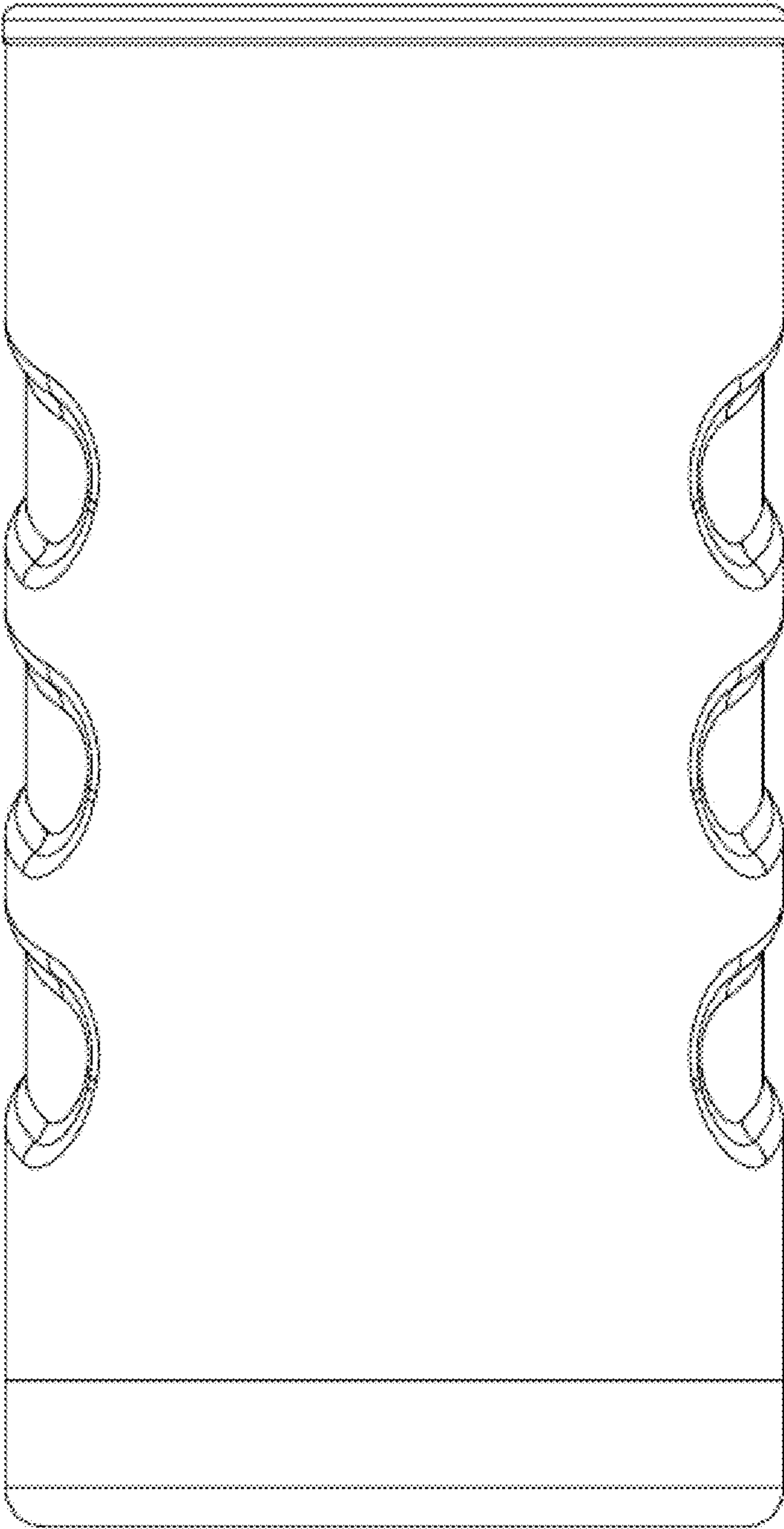


FIG. 2

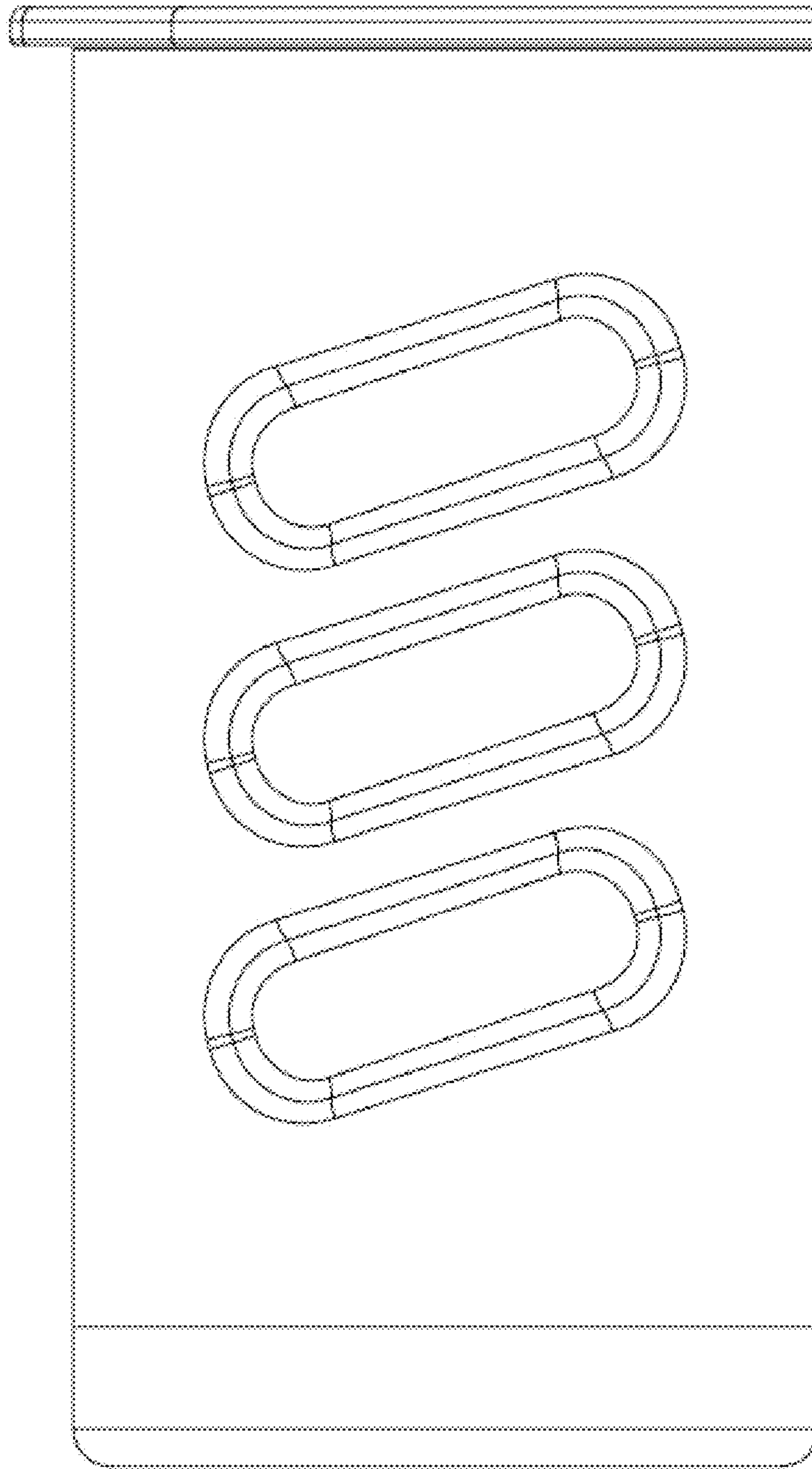


FIG. 3



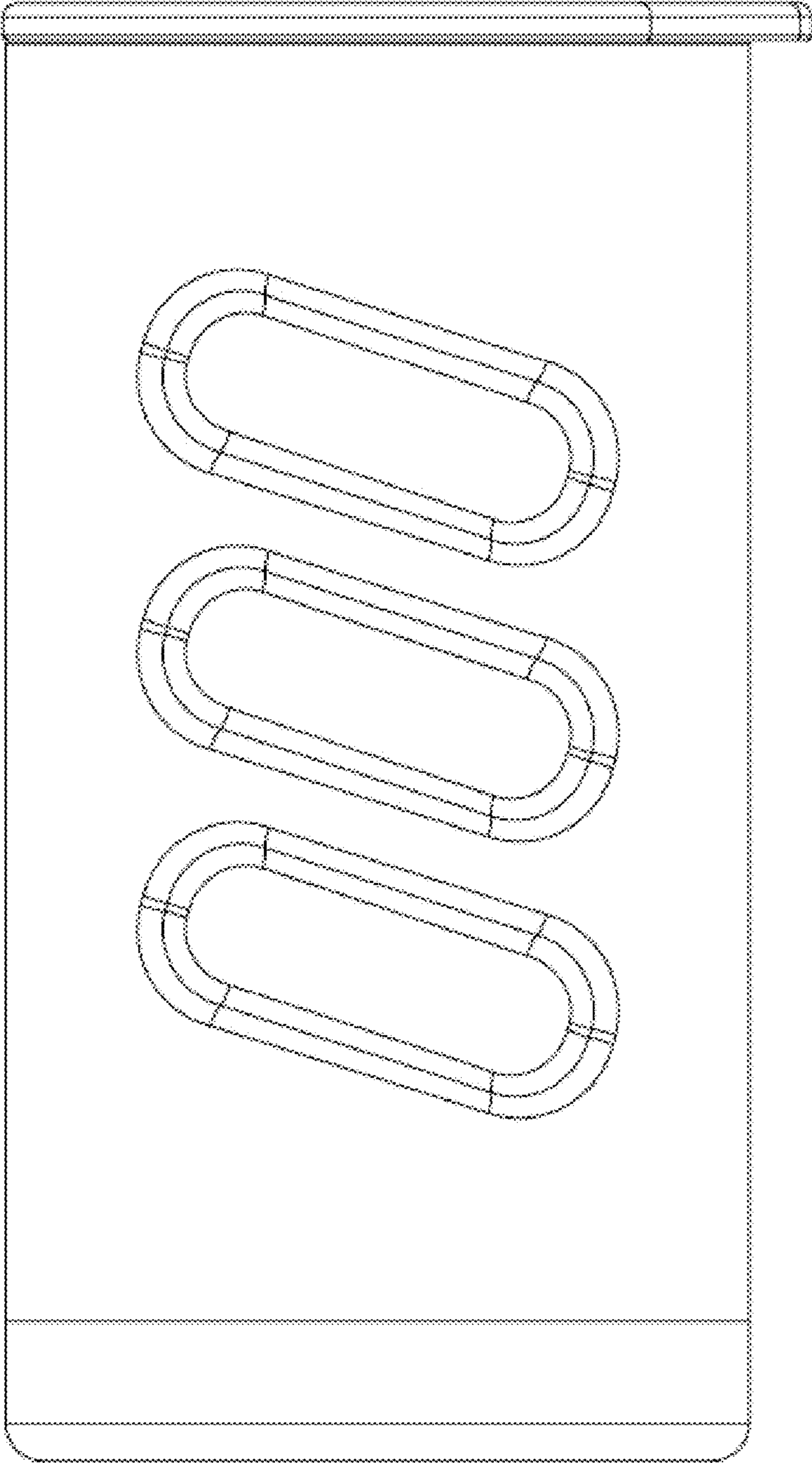


FIG. 4

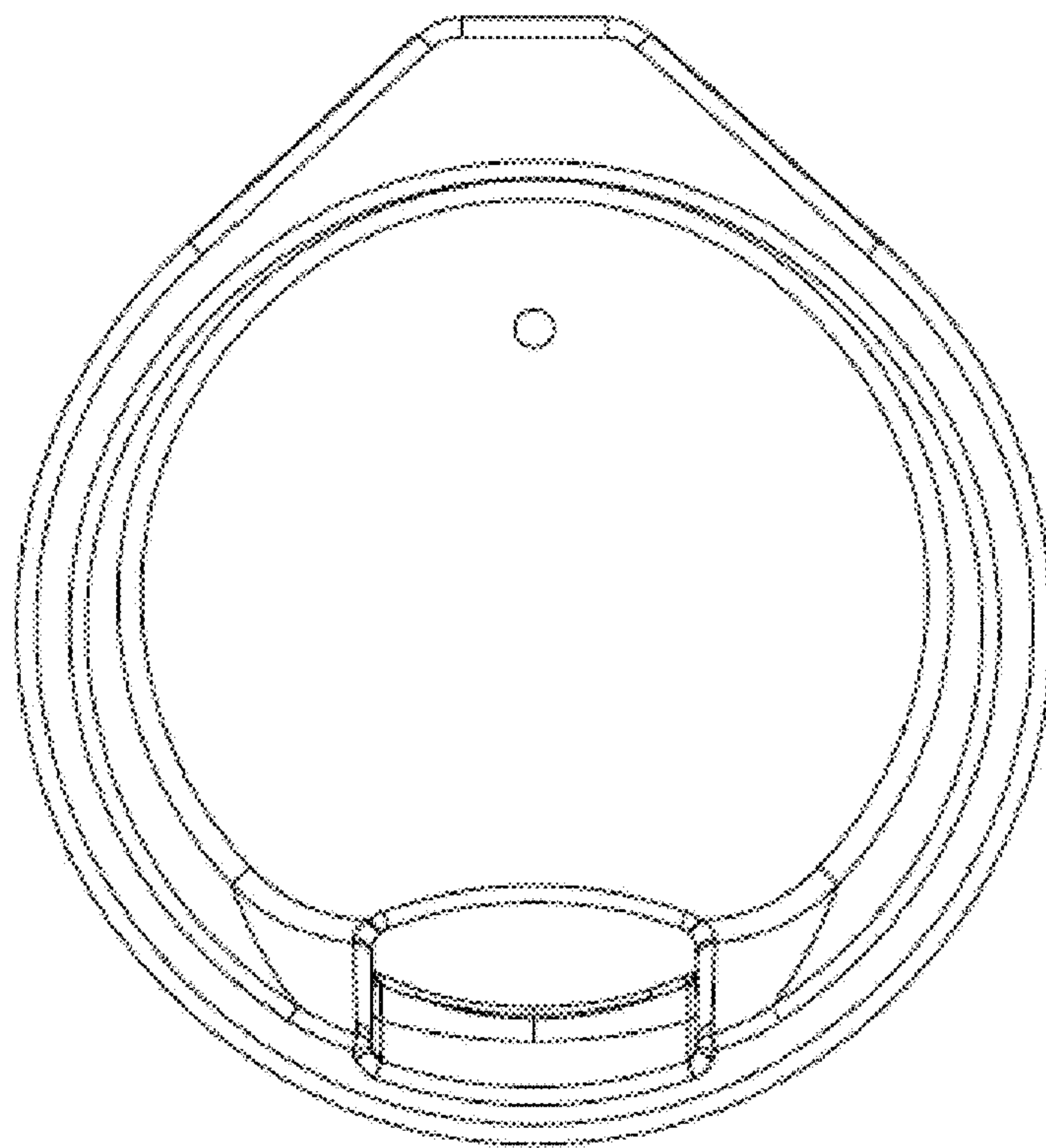


FIG. 5

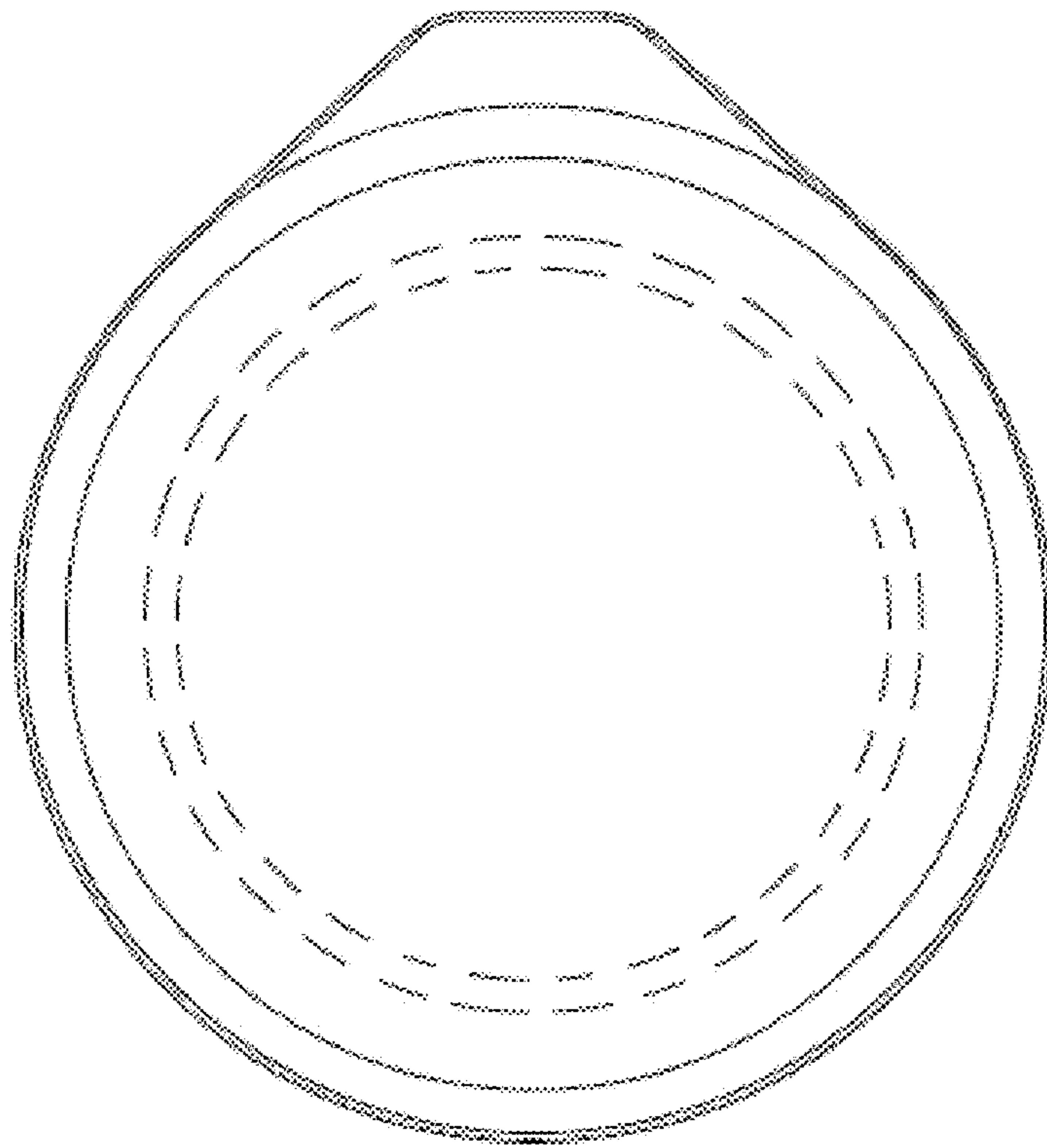


FIG. 6



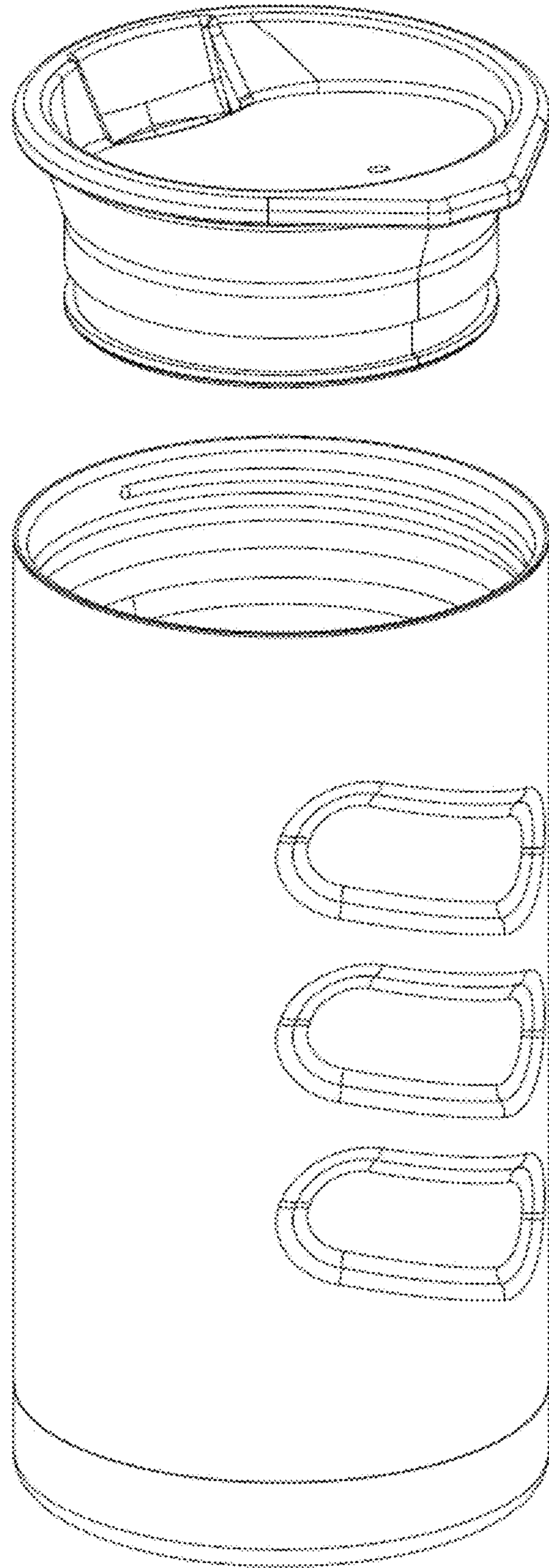


FIG. 7

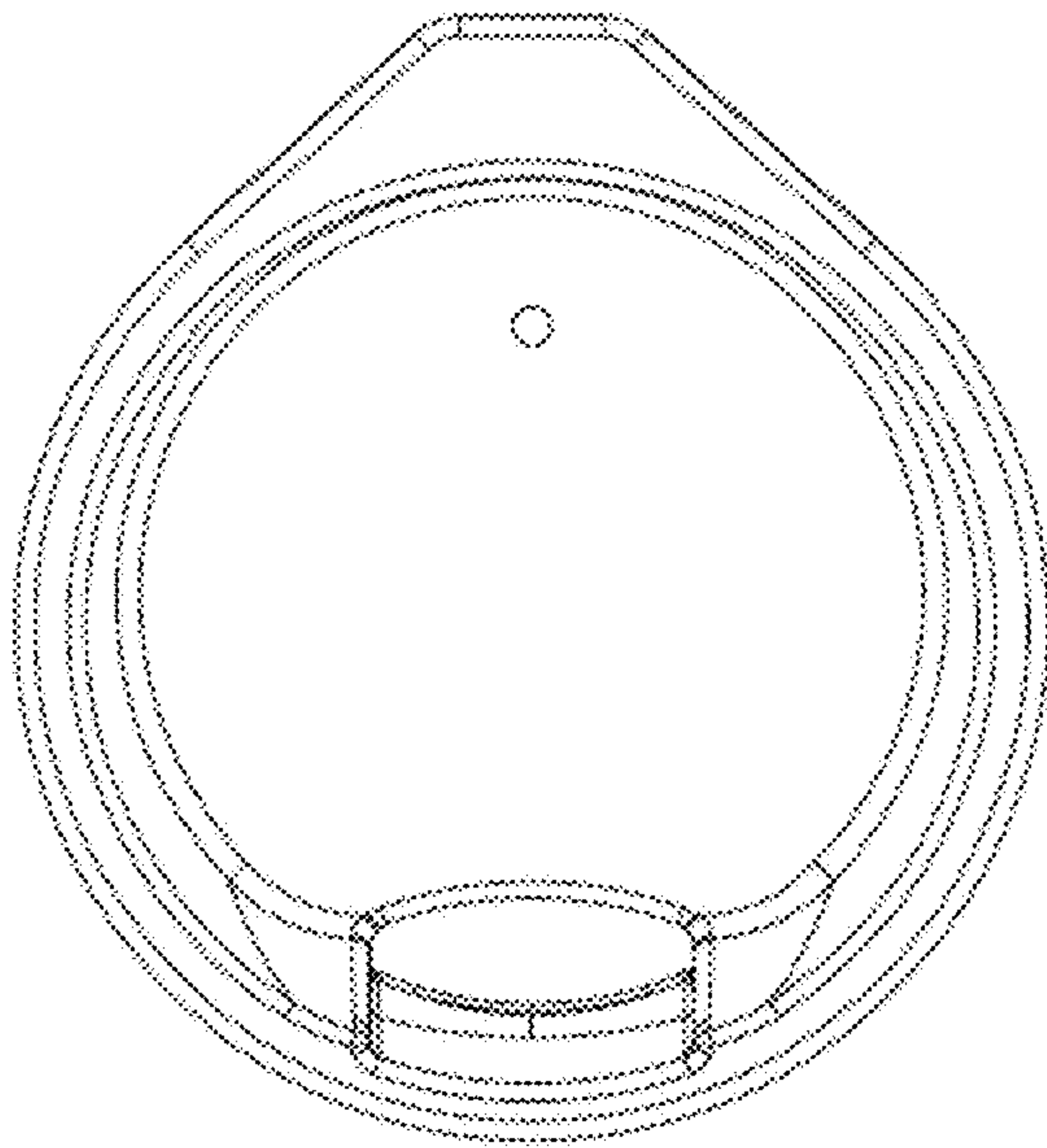


FIG. 8

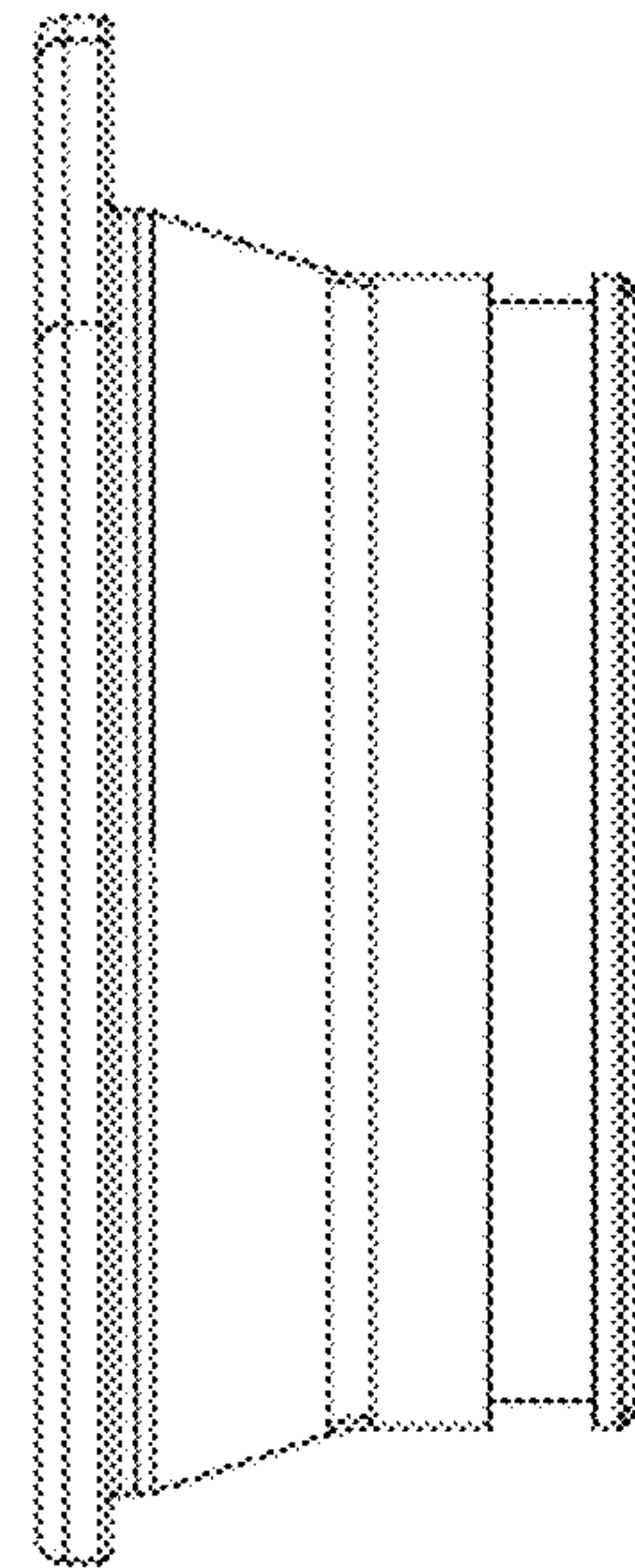


FIG. 9

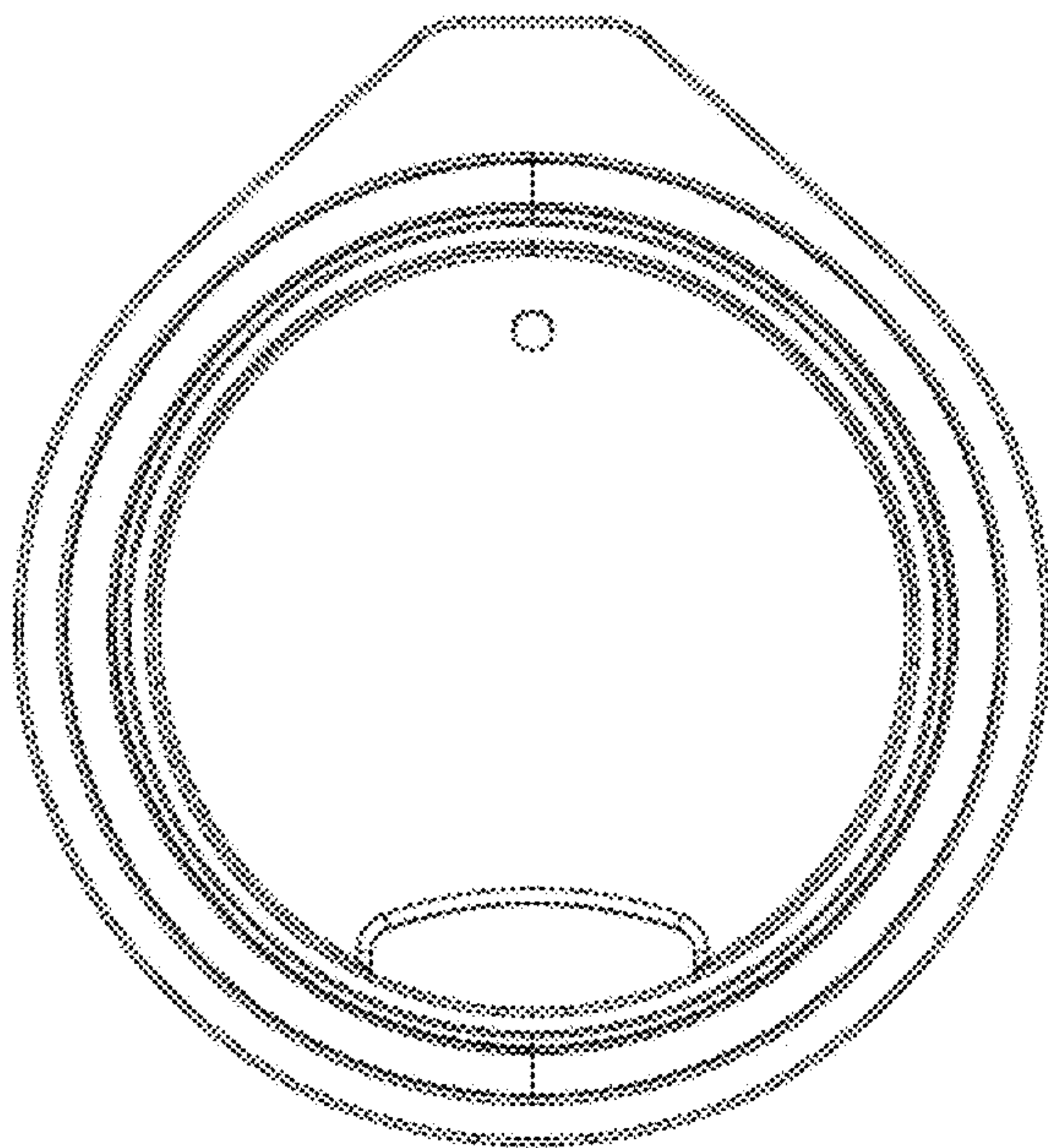


FIG. 10

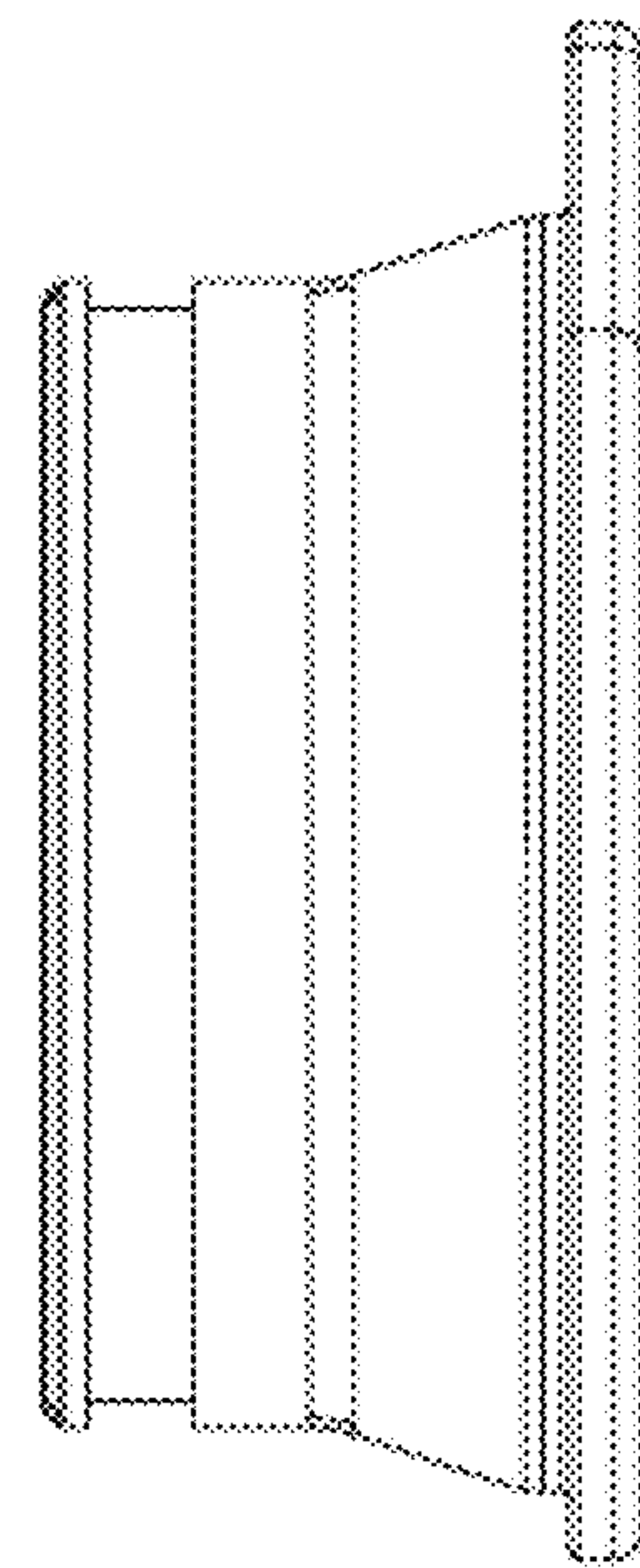


FIG. 11

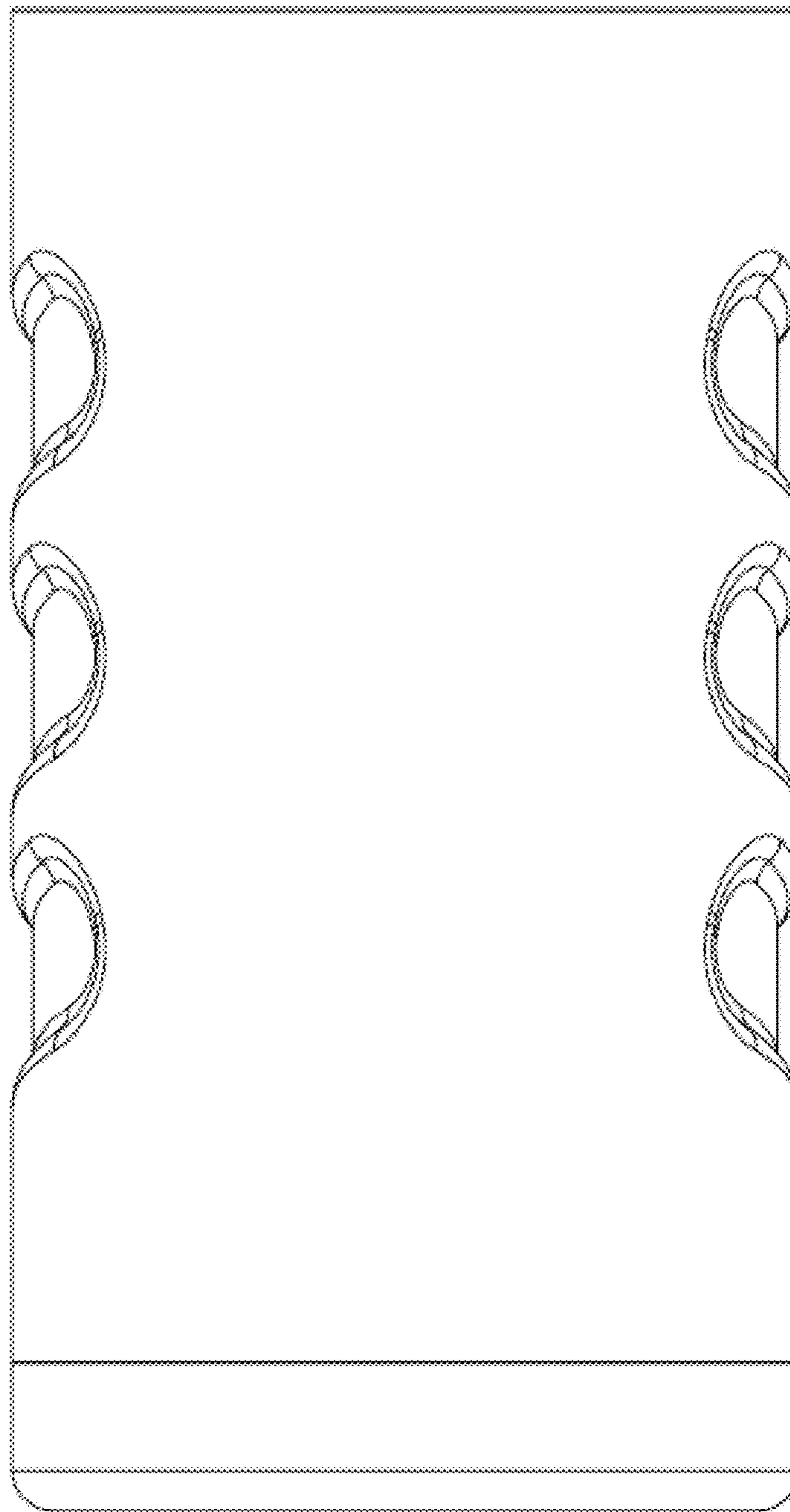


FIG. 12

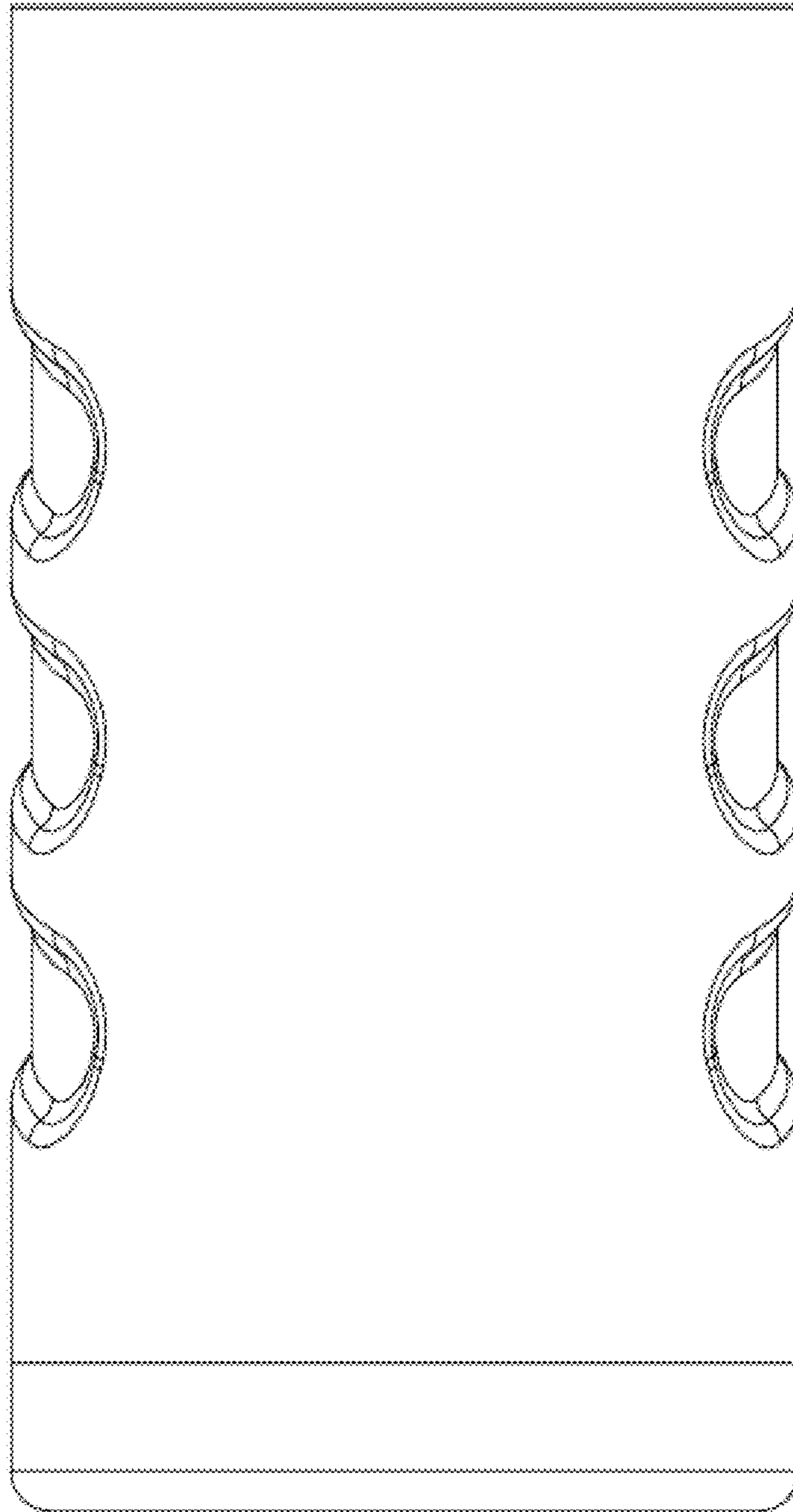


FIG. 13



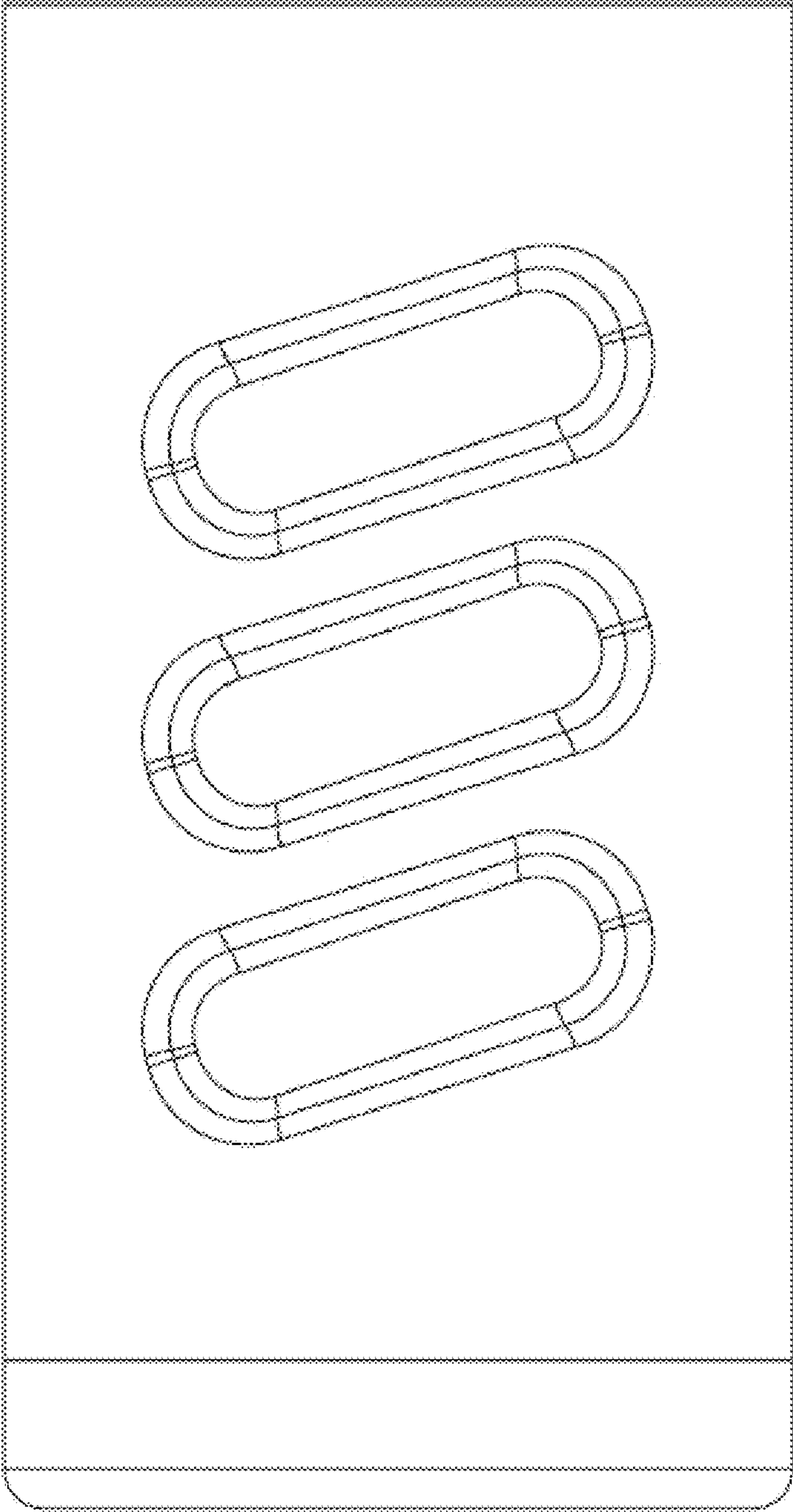


FIG. 14

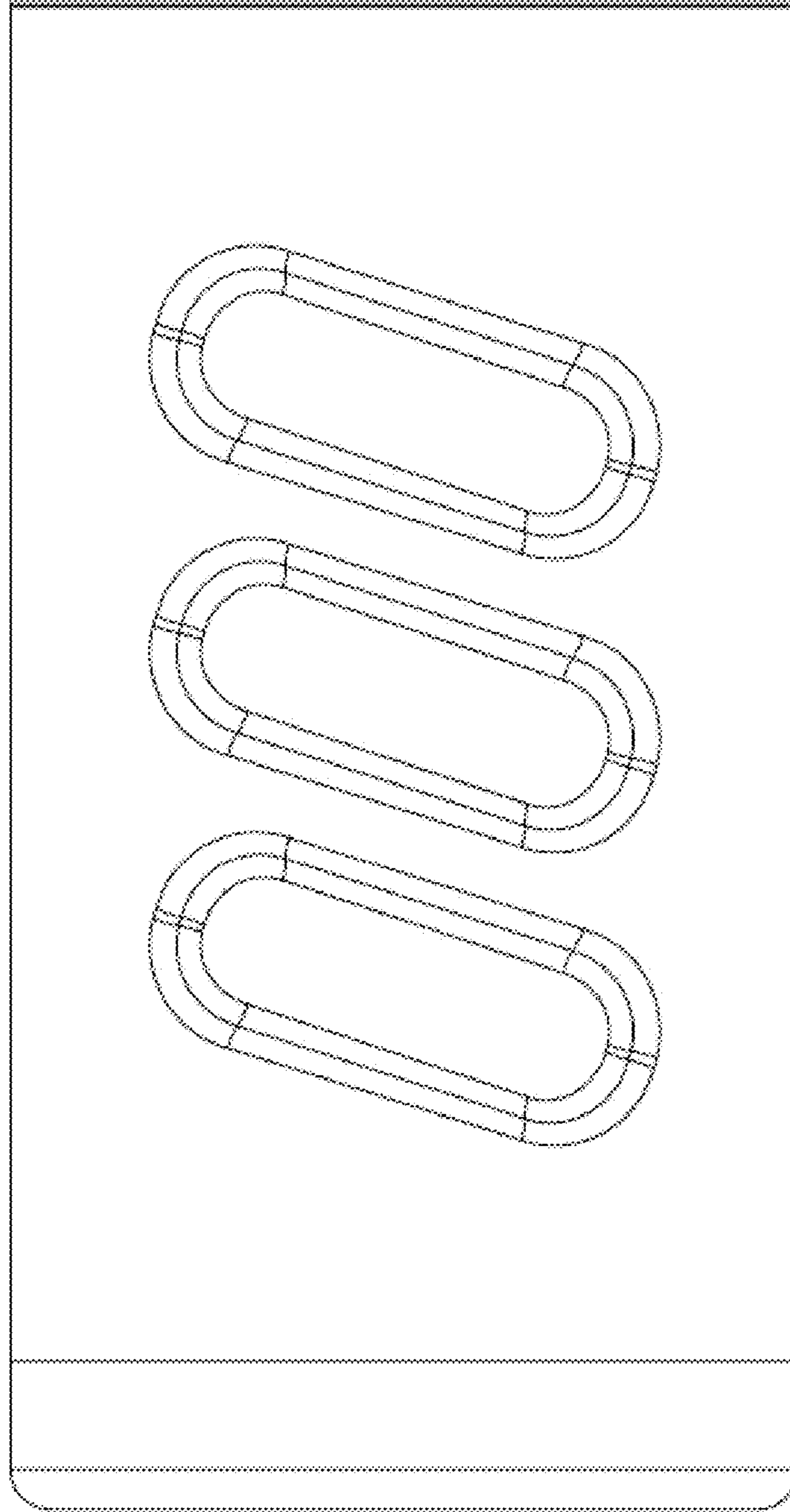


FIG. 15

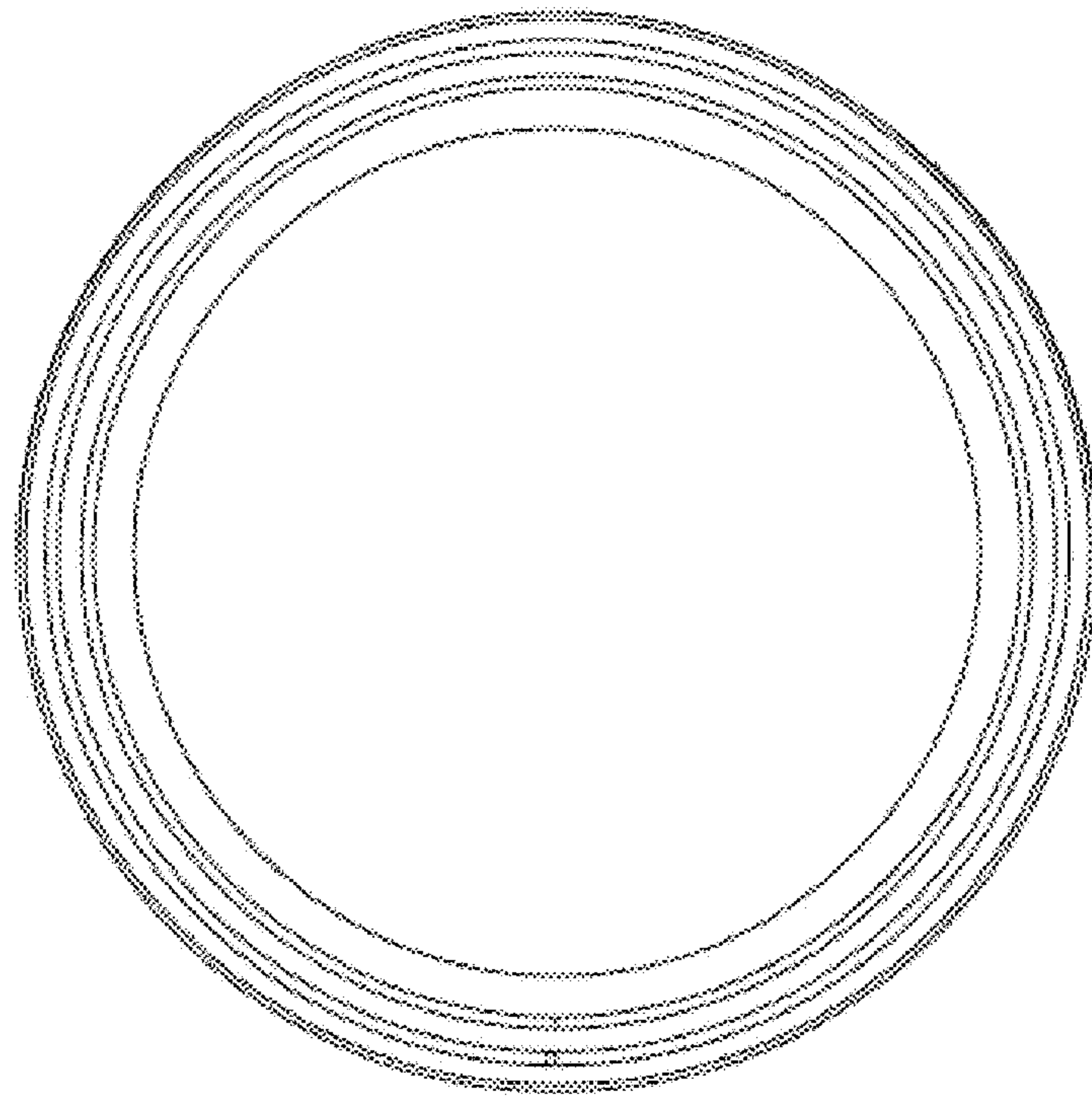


FIG. 16

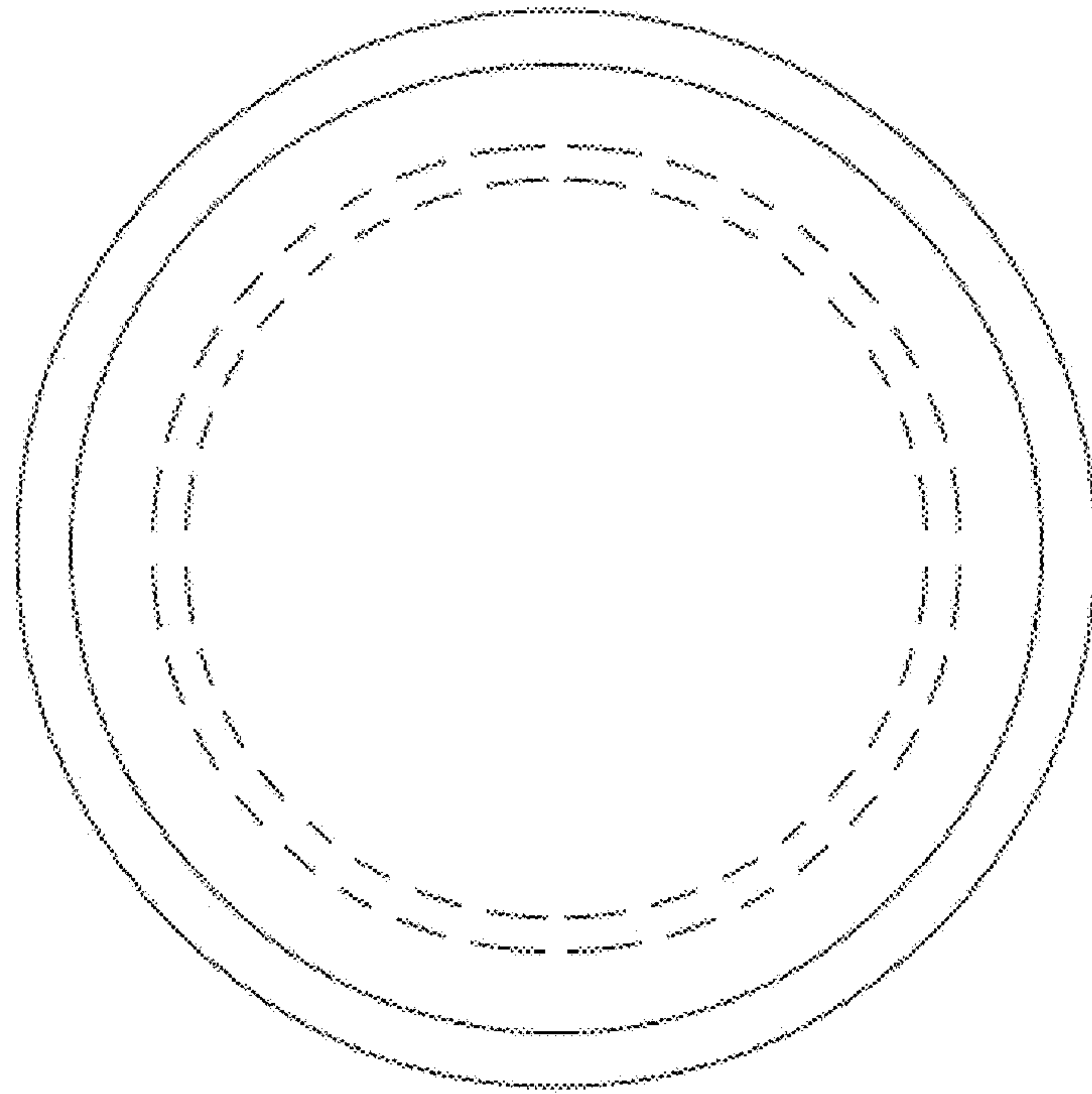


FIG. 17

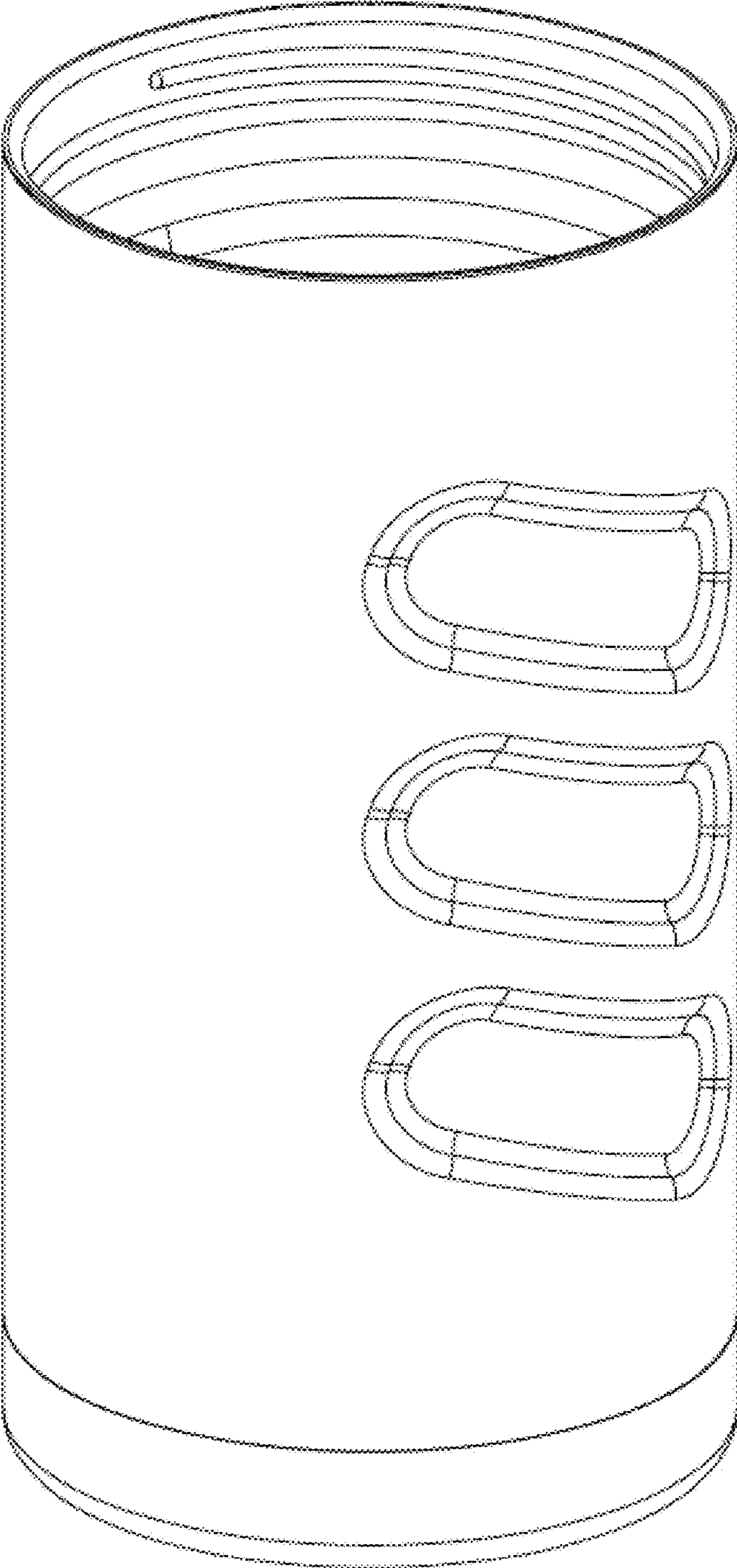


FIG. 18