



US00D836980S

(12) **United States Design Patent**  
**Thurlow**

(10) **Patent No.:** **US D836,980 S**  
(45) **Date of Patent:** **\*\* Jan. 1, 2019**

(54) **GRIDDLE**  
(71) Applicant: **Lentrade, Inc.**, Houston, TX (US)  
(72) Inventor: **Heida L. Thurlow**, Houston, TX (US)  
(73) Assignee: **Lentrade, Inc.**, Houston, TX (US)  
(\*\*) Term: **15 Years**  
(21) Appl. No.: **29/614,182**

D436,495 S \* 1/2001 Ferrer ..... D7/360  
D472,423 S \* 4/2003 Swinford ..... D7/359  
D508,818 S \* 8/2005 Hawkins ..... D7/360  
7,523,697 B2 \* 4/2009 Hedrington ..... A47J 37/0676  
219/452.11  
D658,427 S \* 5/2012 Cloutier ..... D7/360  
D672,190 S \* 12/2012 Upston ..... D7/354  
D702,486 S \* 4/2014 Bowden ..... D7/354  
D711,184 S \* 8/2014 Bowden ..... D7/354  
D754,467 S \* 4/2016 Misner ..... D7/352  
D826,637 S \* 8/2018 Thurlow ..... D7/409

\* cited by examiner

(22) Filed: **Aug. 16, 2017**  
(51) **LOC (11) Cl.** ..... **07-02**  
(52) **U.S. Cl.**  
USPC ..... **D7/409; D7/354; D7/360**  
(58) **Field of Classification Search**  
USPC ..... D7/323, 332, 335-337, 354-355,  
D7/359-364, 387-388, 402, 407-409  
CPC .... A21B 2/00; A21B 3/00; A21B 3/13; A21B  
3/15; A21B 5/00; A21B 5/02; A23N  
12/06; A23N 12/08; A23N 12/10; A47J  
37/00; A47J 37/04; A47J 37/041; A47J  
37/042; A47J 37/06; A47J 37/0676; A47J  
37/0688; A47J 37/0694; A47J 37/07;  
A47J 37/0704; A47J 37/10; A47J 47/20;  
A47J 2037/00; A47J 2037/06; A47J  
2037/0611; A47J 2037/07; A47J  
2037/0786; A47J 2037/0795; F24C 15/08;  
F24C 15/10; F24C 15/12; F24C 15/14;  
F24C 15/16; F24C 15/164; F24C 15/18  
See application file for complete search history.

*Primary Examiner* — Ricky Pham

(74) *Attorney, Agent, or Firm* — Patrick K. Steele

(57) **CLAIM**

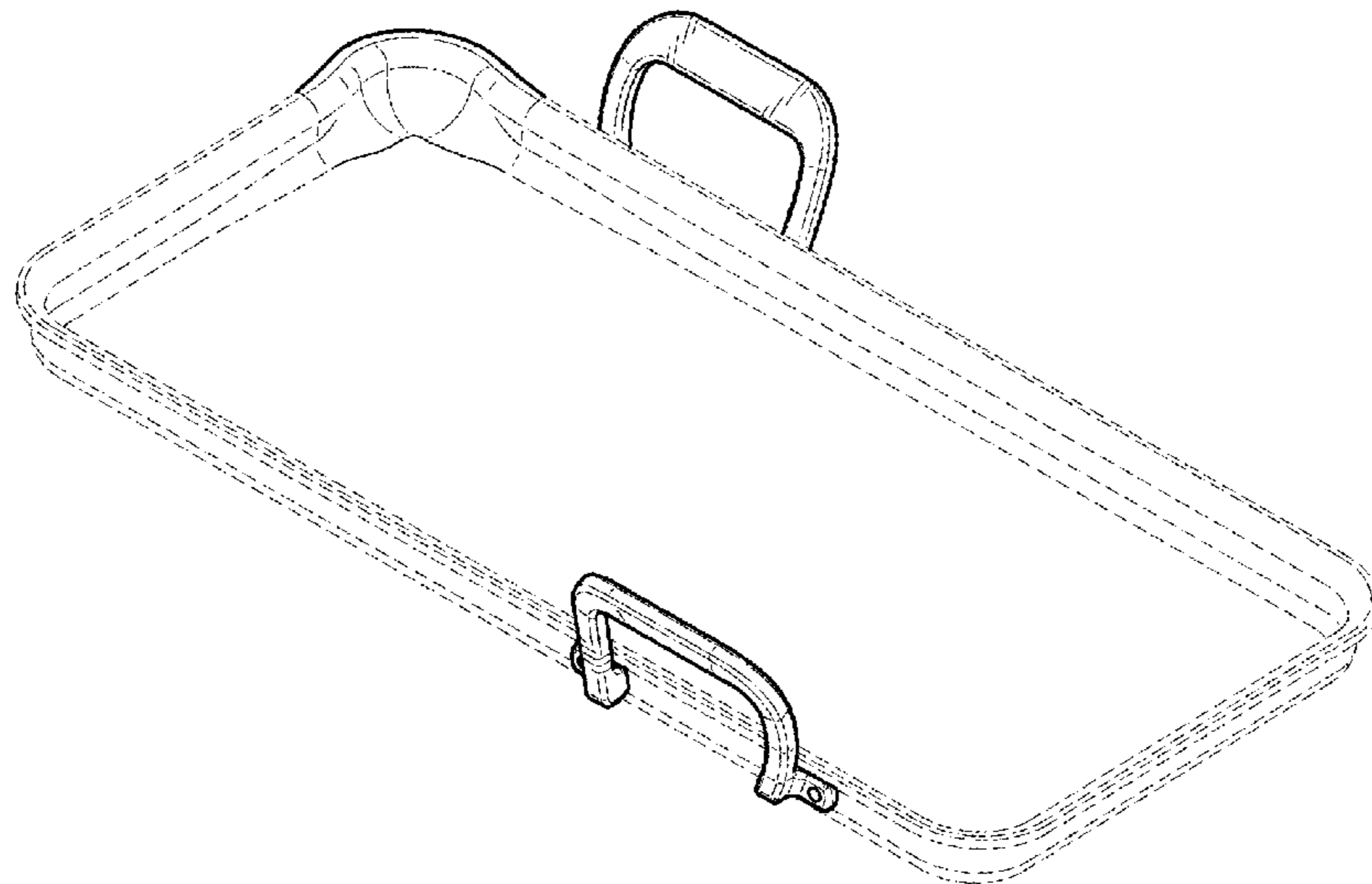
The ornamental design for a griddle, as shown and described.

**DESCRIPTION**

FIG. 1 is a perspective view of a griddle showing my new design with a corner pooling area of the griddle at the far corner in the view;  
FIG. 2 is perspective view of a griddle showing my new design with a corner pooling area of the griddle at the near corner in the view;  
FIG. 3 is a top plan view thereof;  
FIG. 4 is a left side view thereof;  
FIG. 5 is a bottom plan view thereof.  
FIG. 6 is a right side view thereof;  
FIG. 7 is a front view thereof; and,  
FIG. 8 is a rear view thereof.  
The broken lines in the drawings depict environmental subject matter only and form no part of the claimed design.

(56) **References Cited**  
U.S. PATENT DOCUMENTS  
1,204,429 A \* 11/1916 Griswold ..... A47J 37/10  
99/425  
D380,347 S \* 7/1997 Norton ..... D7/409

**1 Claim, 4 Drawing Sheets**



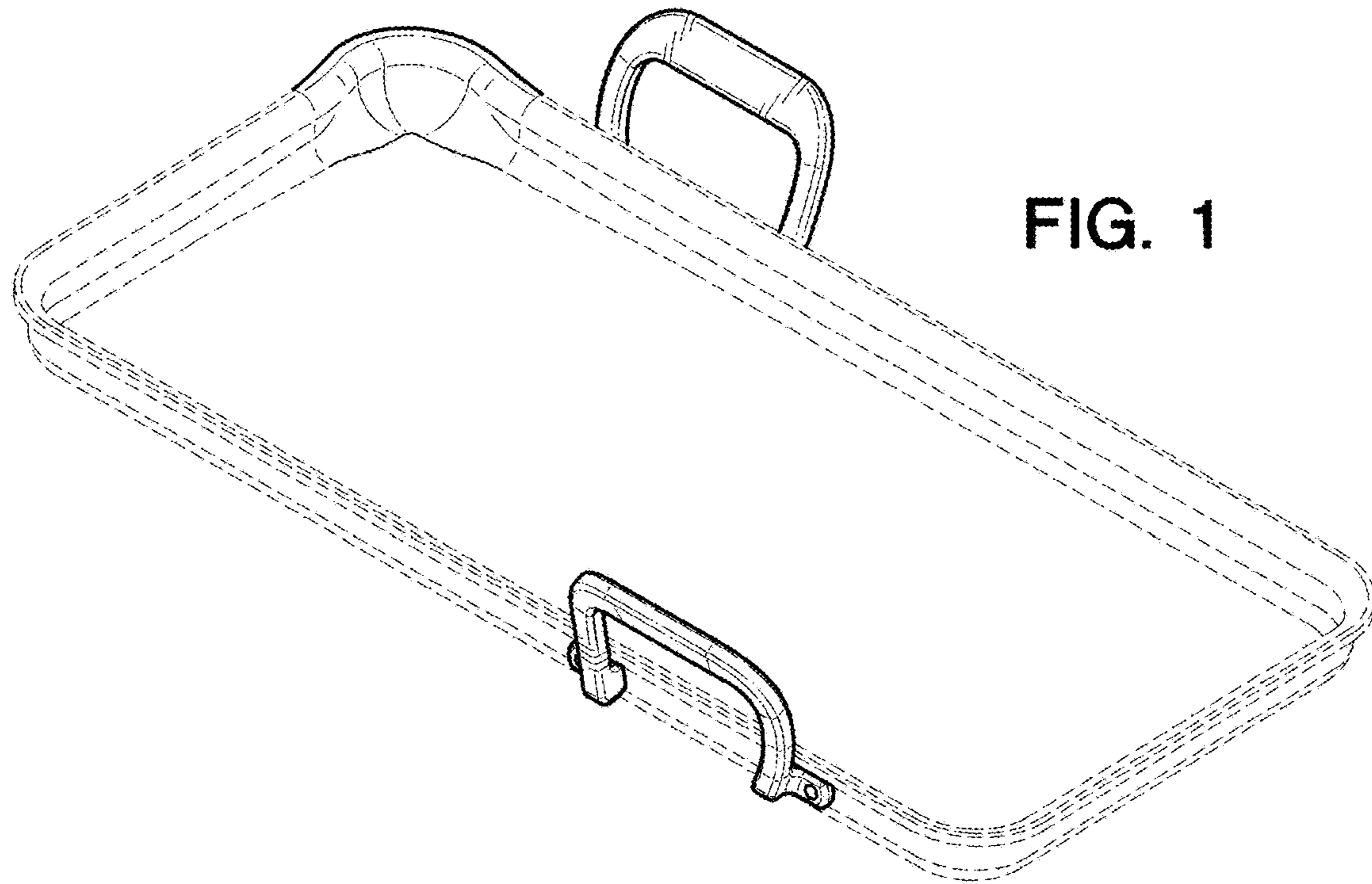


FIG. 1

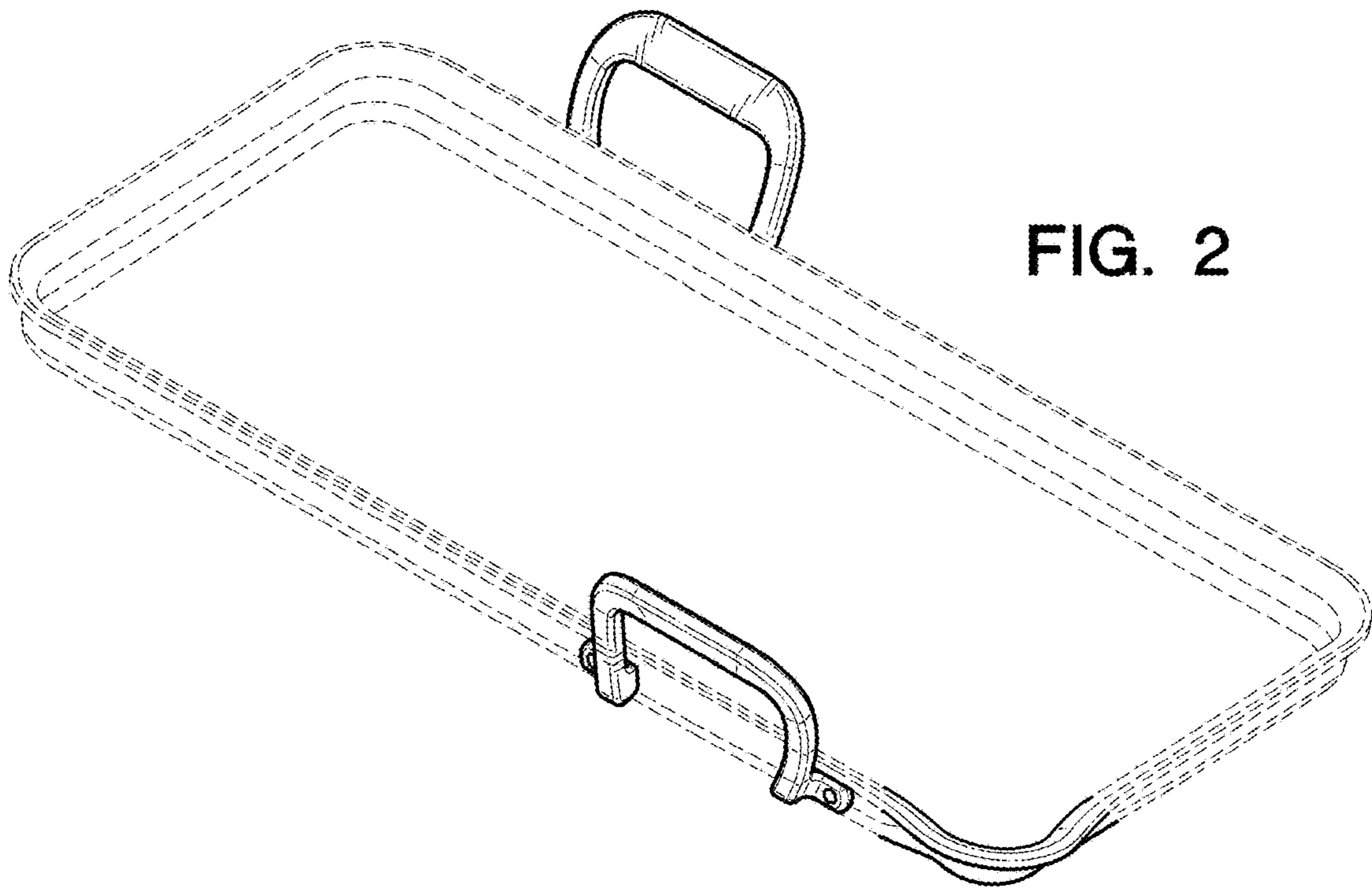


FIG. 2

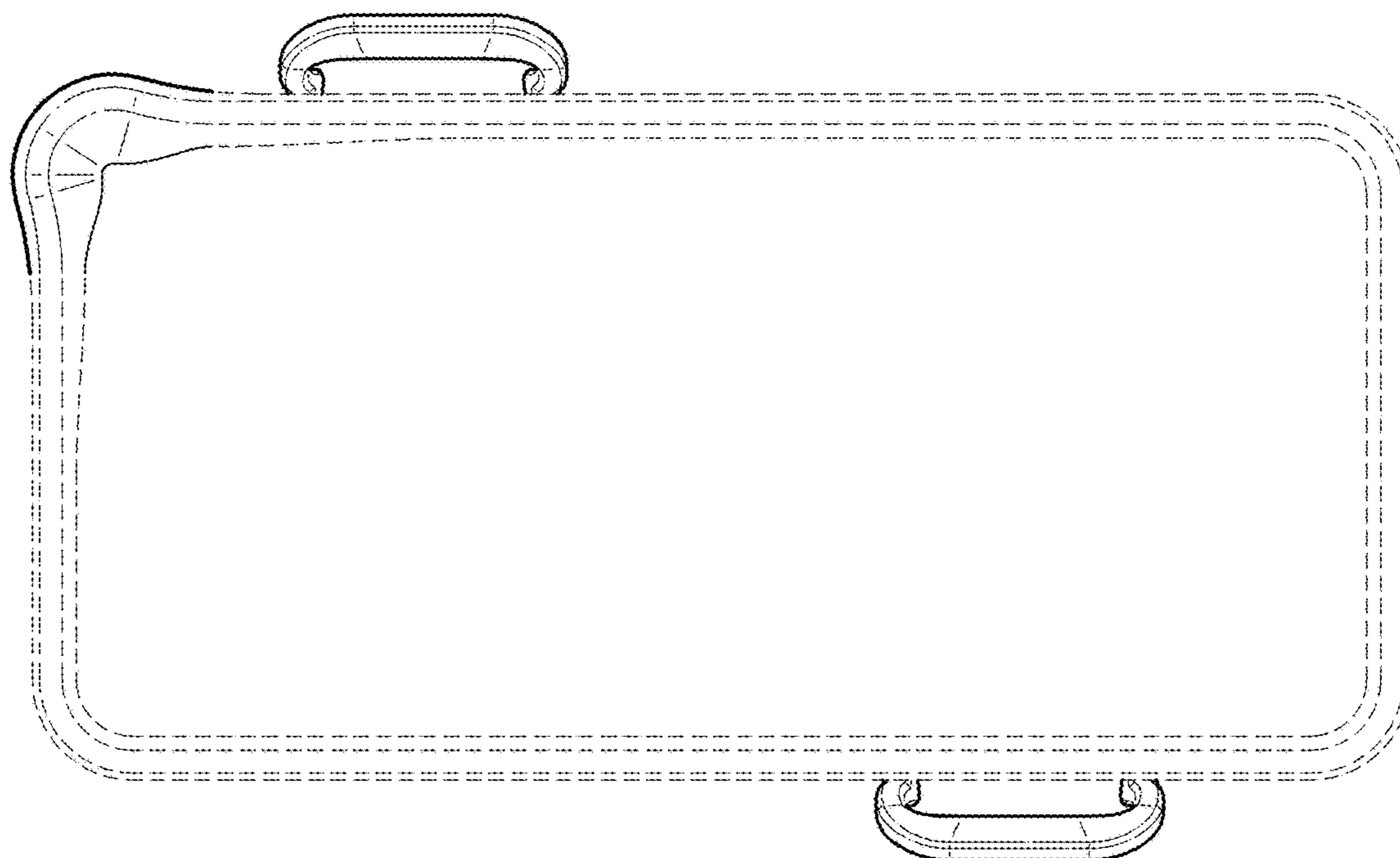


FIG. 3

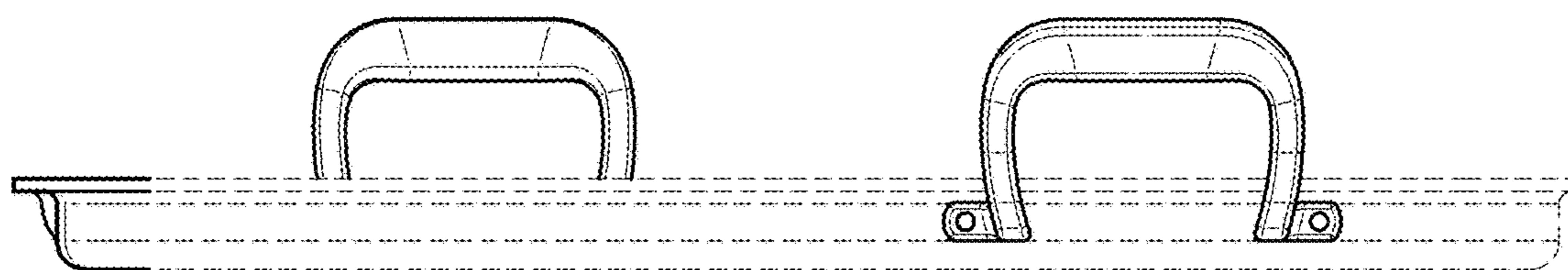


FIG. 4

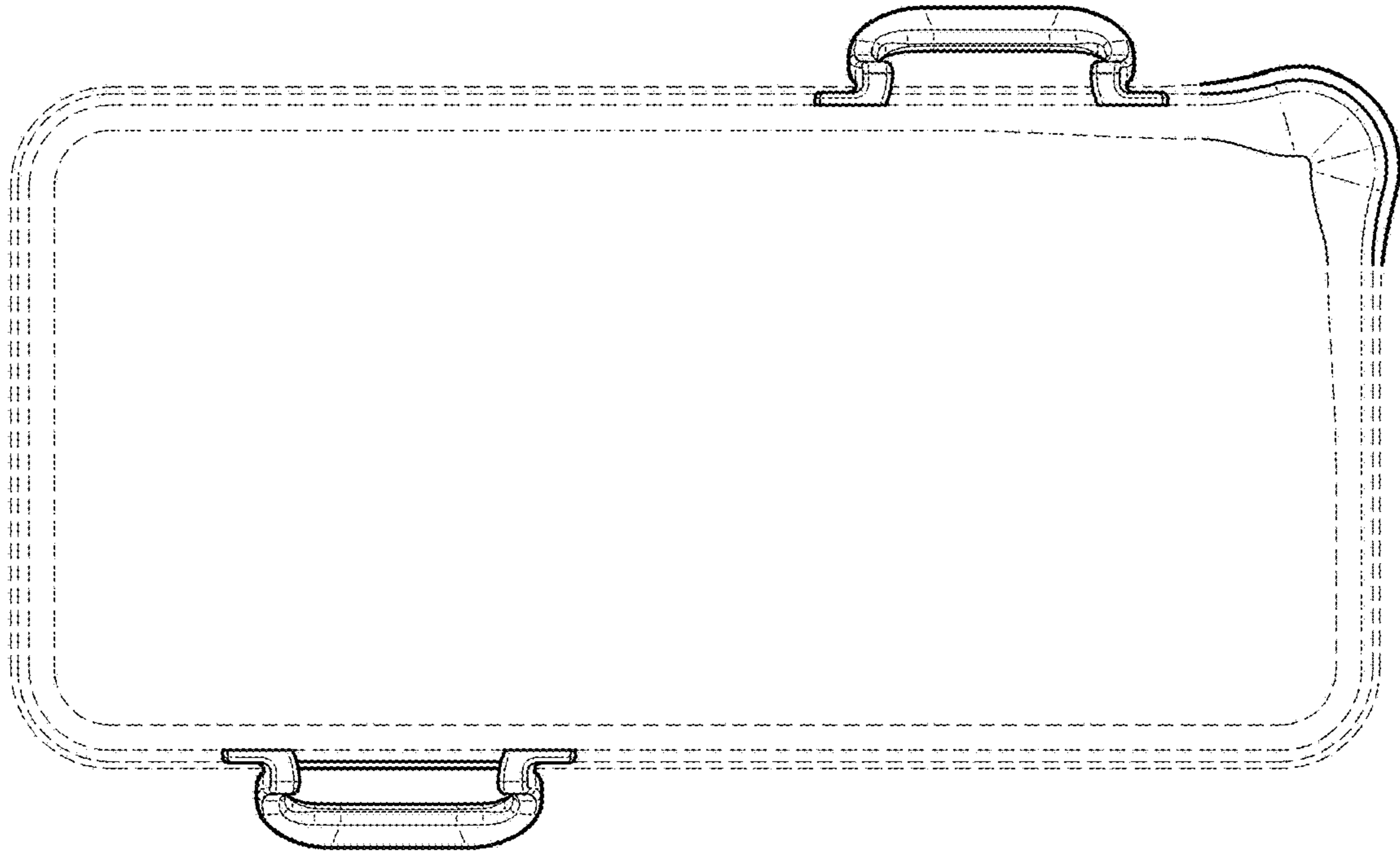


FIG. 5

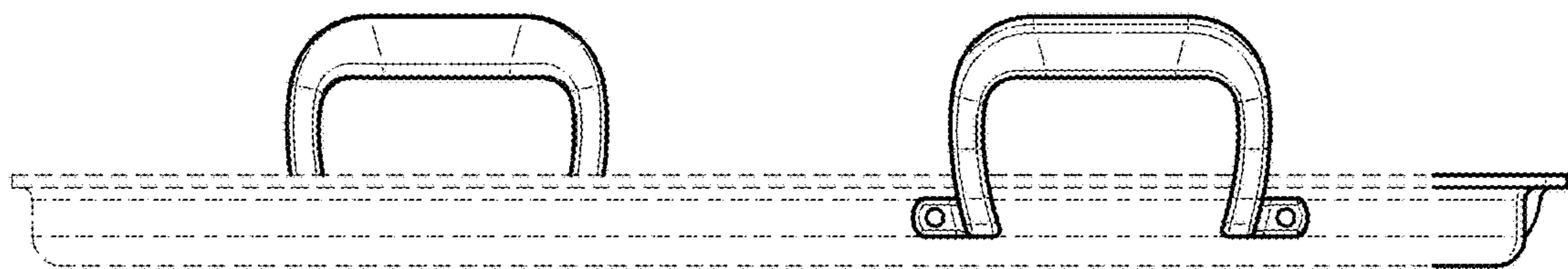


FIG. 6

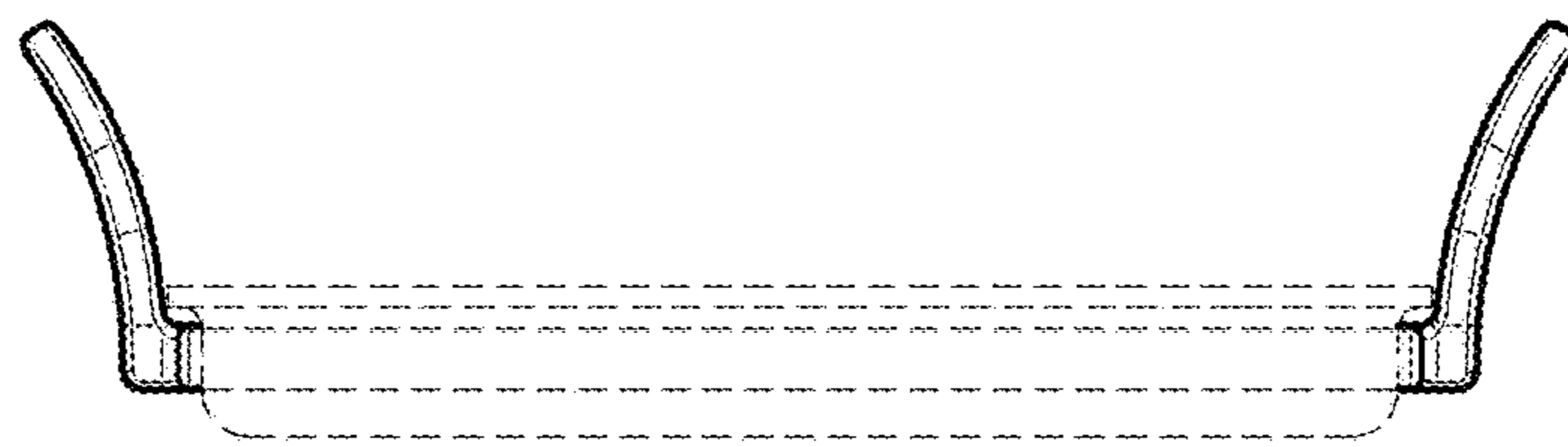


FIG. 7

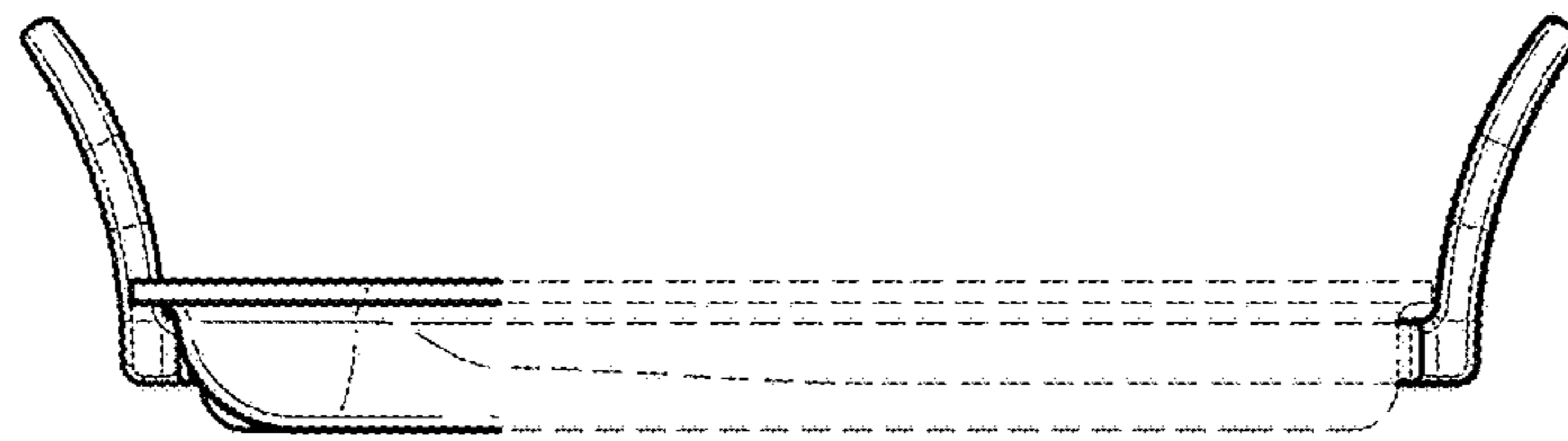


FIG. 8