



US00D836979S

(12) **United States Design Patent** (10) **Patent No.:** **US D836,979 S**
Thomas et al. (45) **Date of Patent:** **** Jan. 1, 2019**

(54) **BEVERAGE CARTRIDGE COMPONENT**

(71) Applicant: **Keurig Green Mountain, Inc.**,
Burlington, MA (US)

(72) Inventors: **Robert Brian Thomas**, Amesbury, MA
(US); **Luca Theo Holme**, Stoneham,
MA (US); **Leung Chi Wah**, Hong
Kong (CN); **Kamaal Jarrett**, Milton,
MA (US)

(73) Assignee: **Keurig Green Mountain, Inc.**,
Burlington, MA (US)

(**) Term: **15 Years**

(21) Appl. No.: **29/621,914**

(22) Filed: **Oct. 12, 2017**

(51) **LOC (11) Cl.** **07-99**

(52) **U.S. Cl.**
USPC **D7/400**

(58) **Field of Classification Search**
USPC D7/300, 302, 303, 305, 397, 399,
D7/316-319, 321, 400, 401, 600, 602,
D7/619.1, 667; D9/516, 523, 524, 527,
D9/528; D23/209, 212
CPC A47J 27/21058; A47J 31/40; A47J 31/41;
A47J 31/44; A47J 47/00; A47G 19/12;
A47G 19/14; A47G 19/145; B01D 35/02;
B65B 39/00; B65D 47/06
See application file for complete search history.

(56) **References Cited**

U.S. PATENT DOCUMENTS

D621,698 S * 8/2010 Cometto D9/424
D637,484 S * 5/2011 Winkler D9/417

D707,490 S * 6/2014 Hertaus D7/397
D746,676 S * 1/2016 Raphaelson D9/428
D760,584 S * 7/2016 Katz D9/416
D789,198 S * 6/2017 Ngo D9/425
D796,898 S * 9/2017 Robotti D7/400
9,801,494 B2 * 10/2017 Castellani A47J 31/0647
D803,349 S * 11/2017 Zou D23/209
9,938,075 B2 * 4/2018 Trombley B65D 85/8046
9,986,869 B2 * 6/2018 Bonacci A47J 31/0647
D823,052 S * 7/2018 Neace, Jr. D7/400

* cited by examiner

Primary Examiner — Derrick E Holland

Assistant Examiner — Andrew Kerr

(74) *Attorney, Agent, or Firm* — Wolf, Greenfield &
Sacks, P.C.

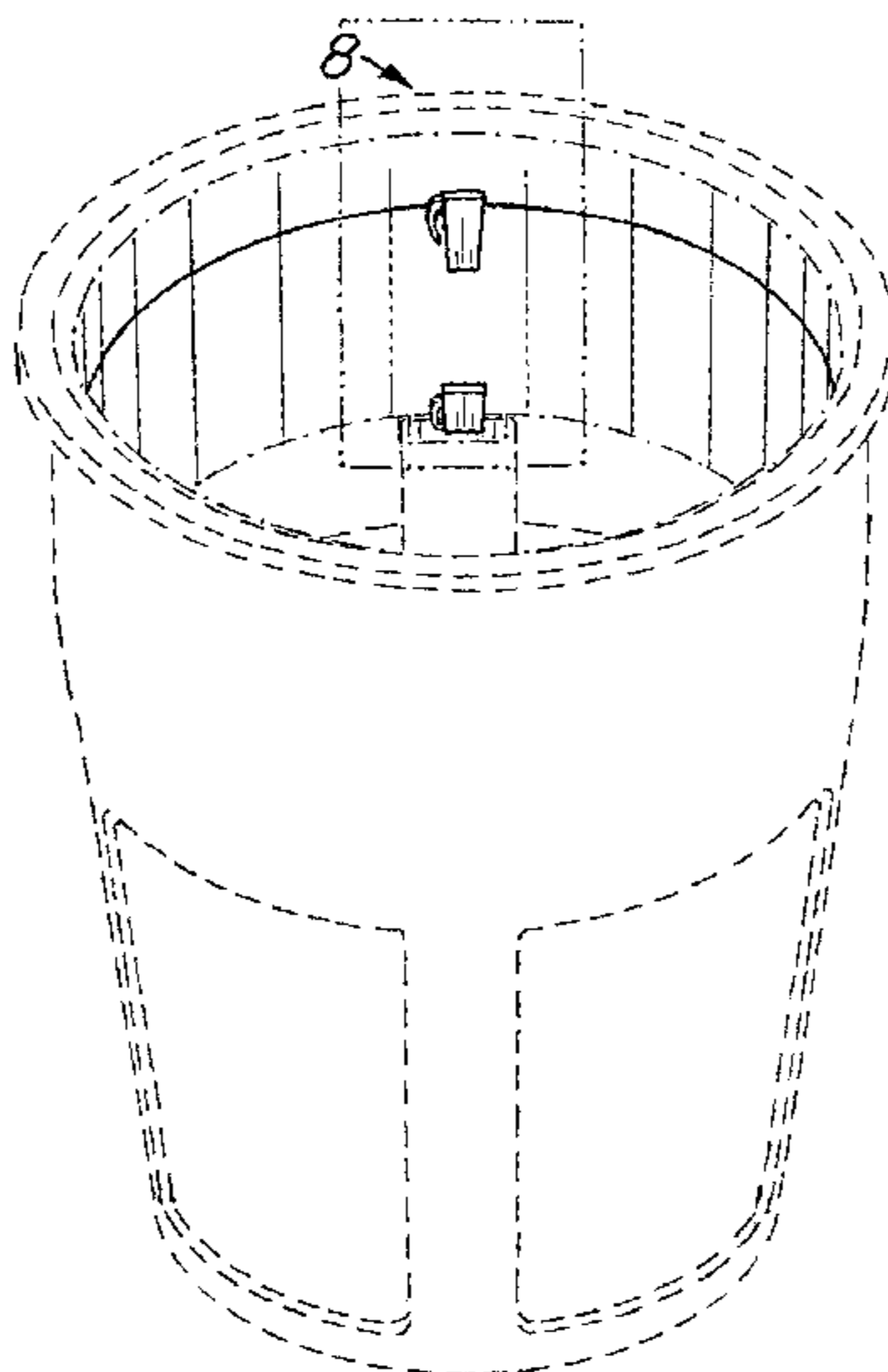
(57) **CLAIM**

The ornamental design for a beverage cartridge component,
as shown and described.

DESCRIPTION

FIG. 1 is a top, front perspective view of a beverage
cartridge component showing our new design;
FIG. 2 is top, rear perspective view thereof;
FIG. 3 is a top, left side perspective view thereof, the top,
right side perspective view thereof being identical to FIG. 3;
FIG. 4 is a front elevation view thereof;
FIG. 5 is a rear elevation view thereof;
FIG. 6 is a top plan view thereof;
FIG. 7 is a bottom plan view thereof; and,
FIG. 8 is a top, front, left side, perspective, enlarged detail
view of portion 8 shown in FIG. 1.
The dot-dash broken lines illustrate boundaries of the claim
and form no part of the claimed design. The dash-dash
broken lines illustrate portions of the beverage cartridge
component that form no part of the claimed design.

1 Claim, 6 Drawing Sheets



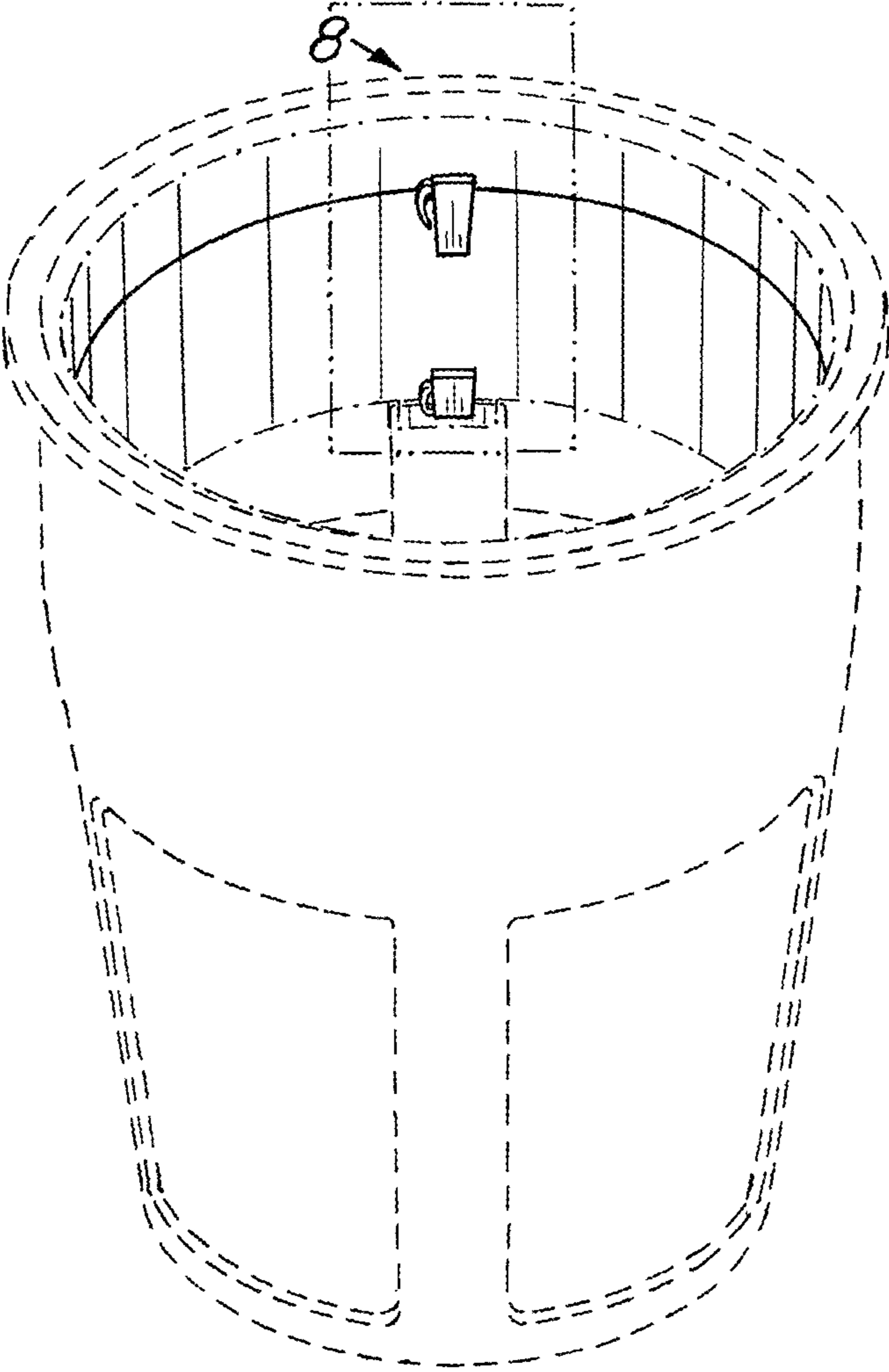


Fig. 1

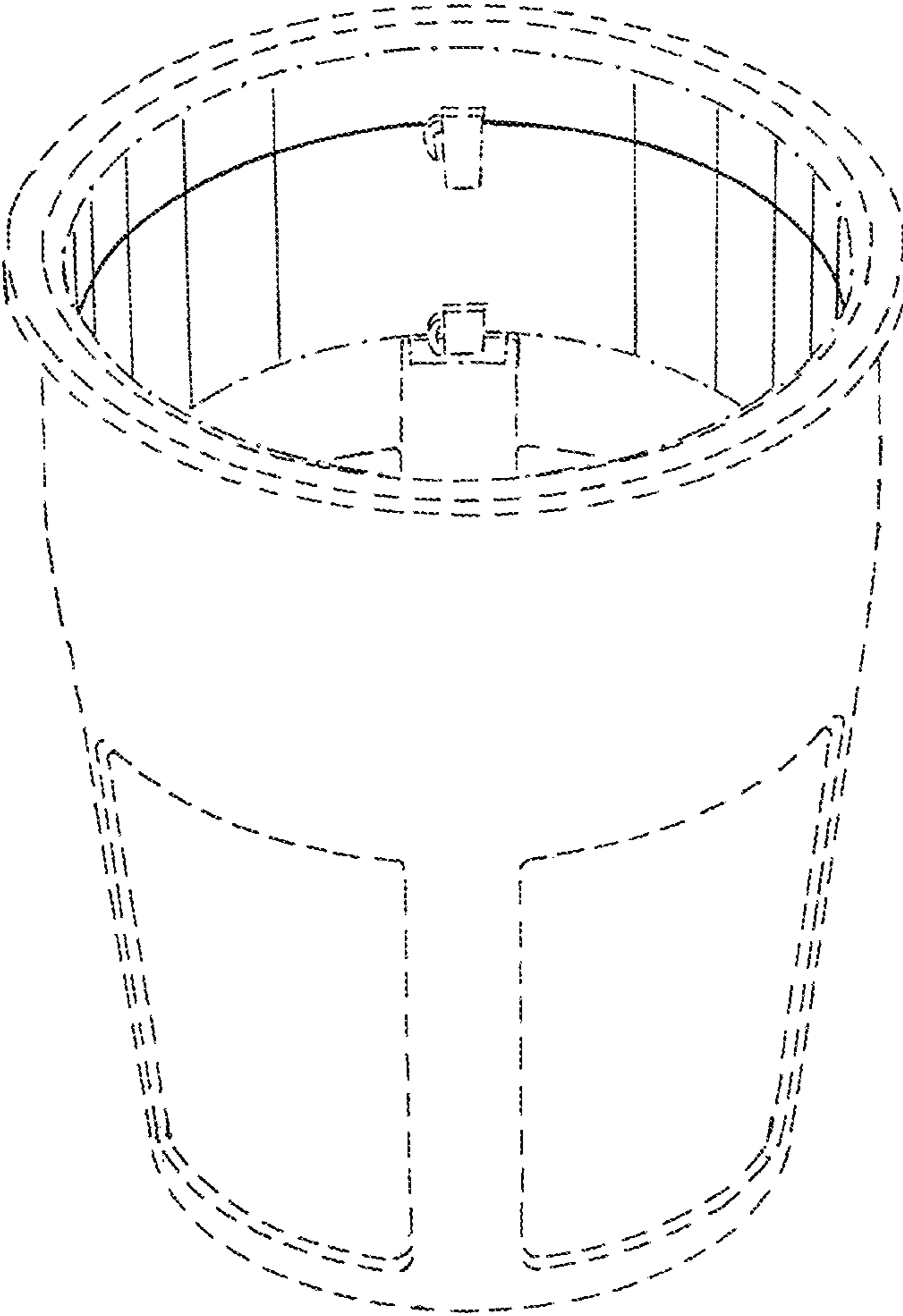


Fig. 2

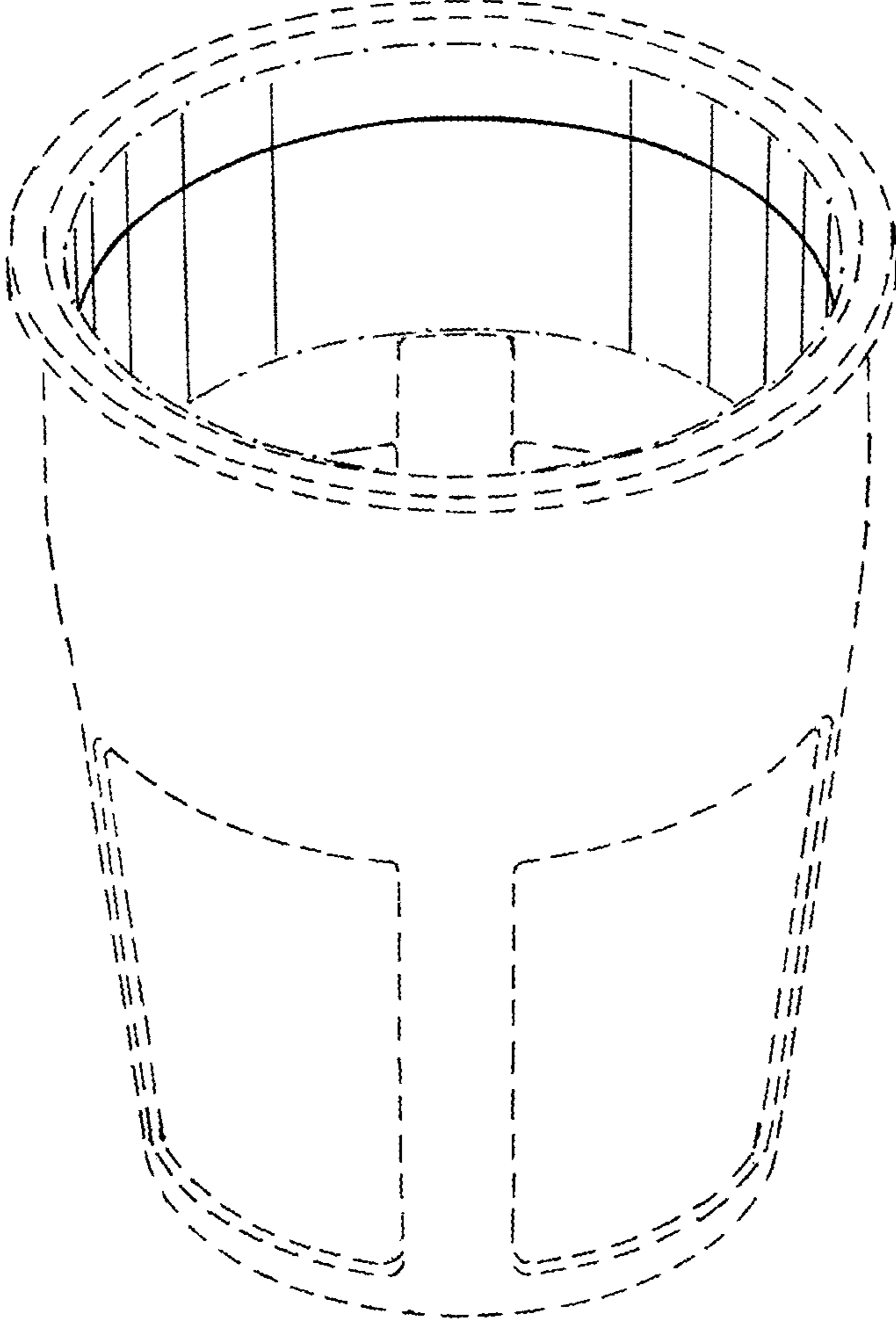


Fig. 3

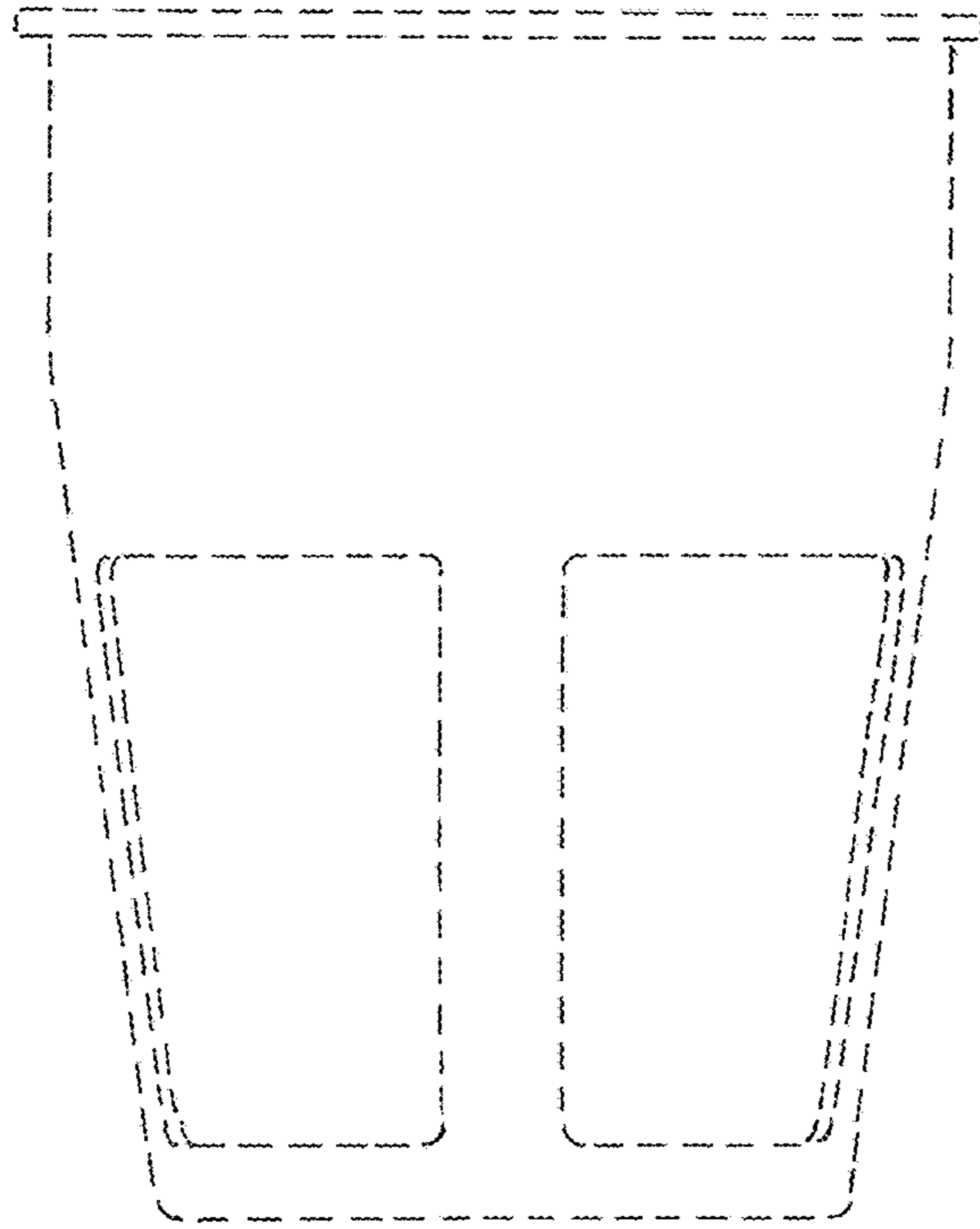


Fig. 4

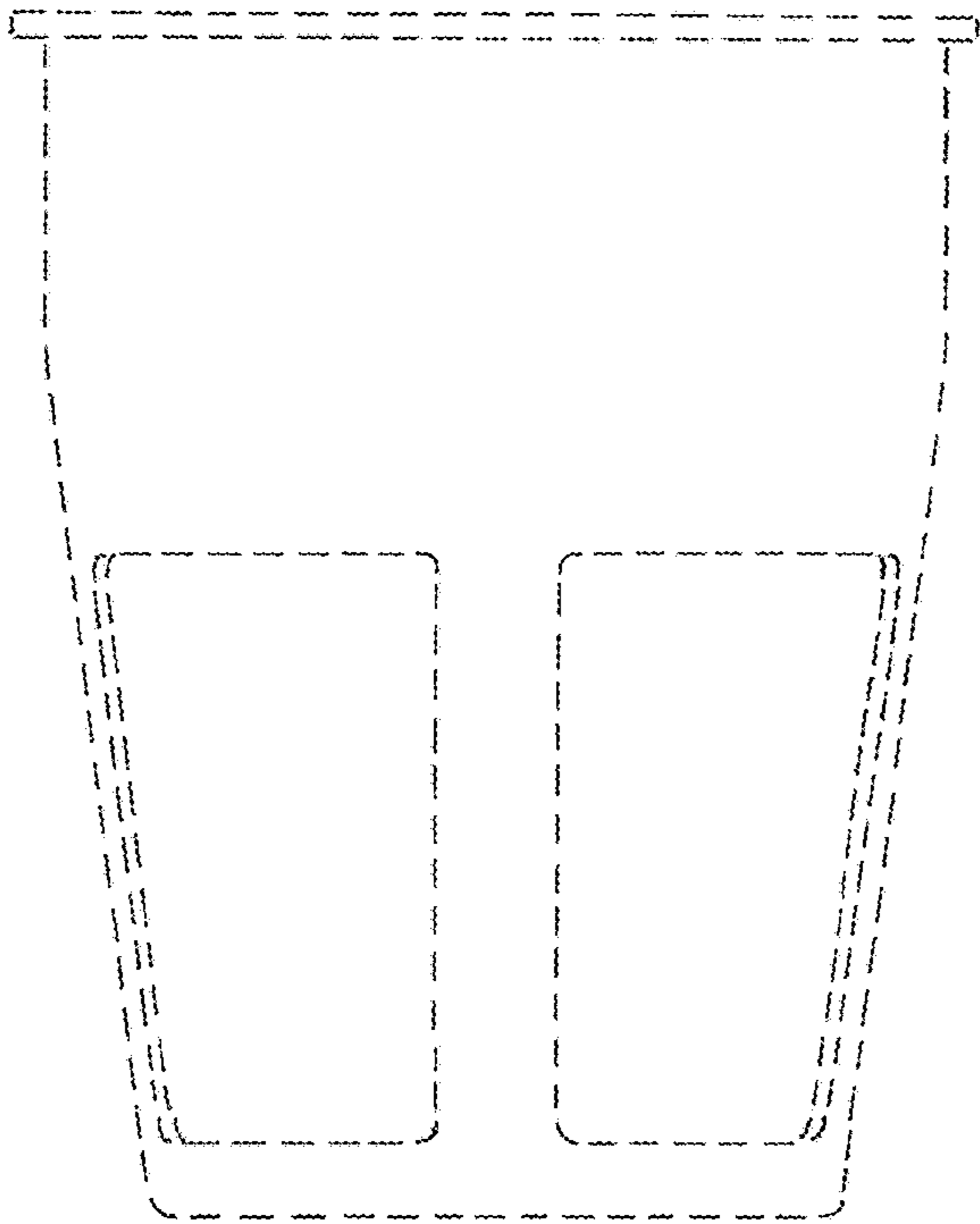


Fig. 5

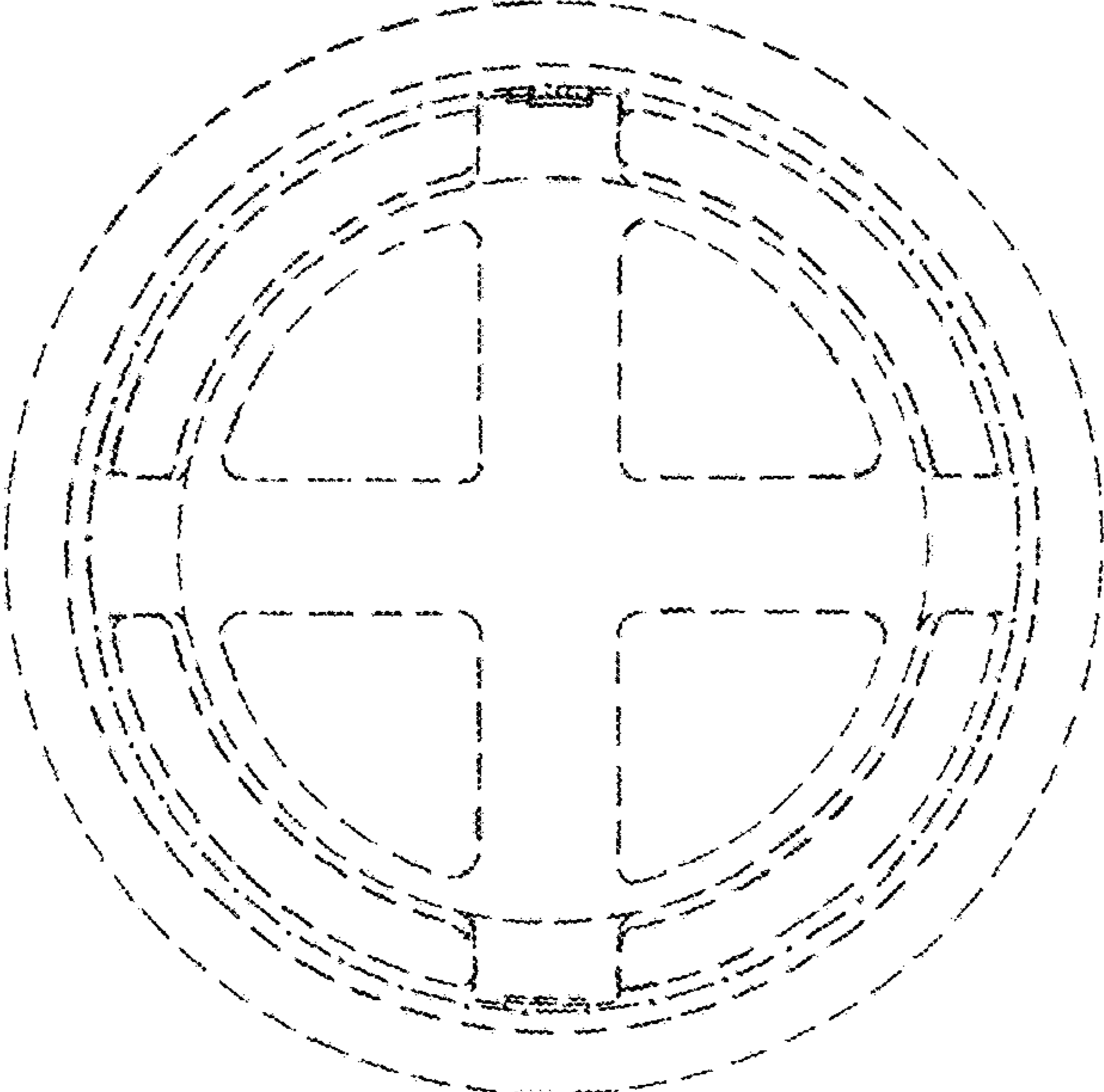


Fig. 6

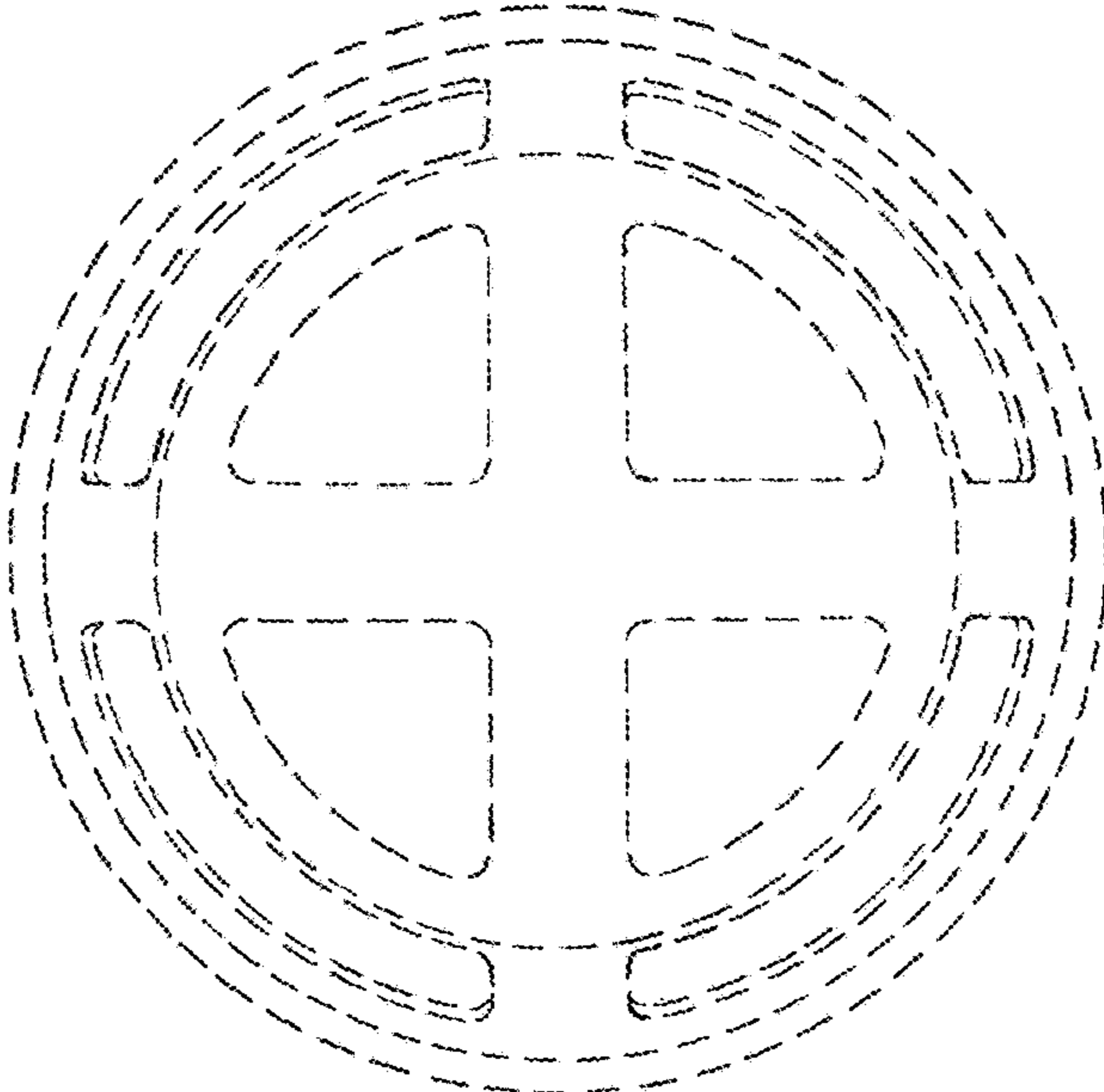


Fig. 7

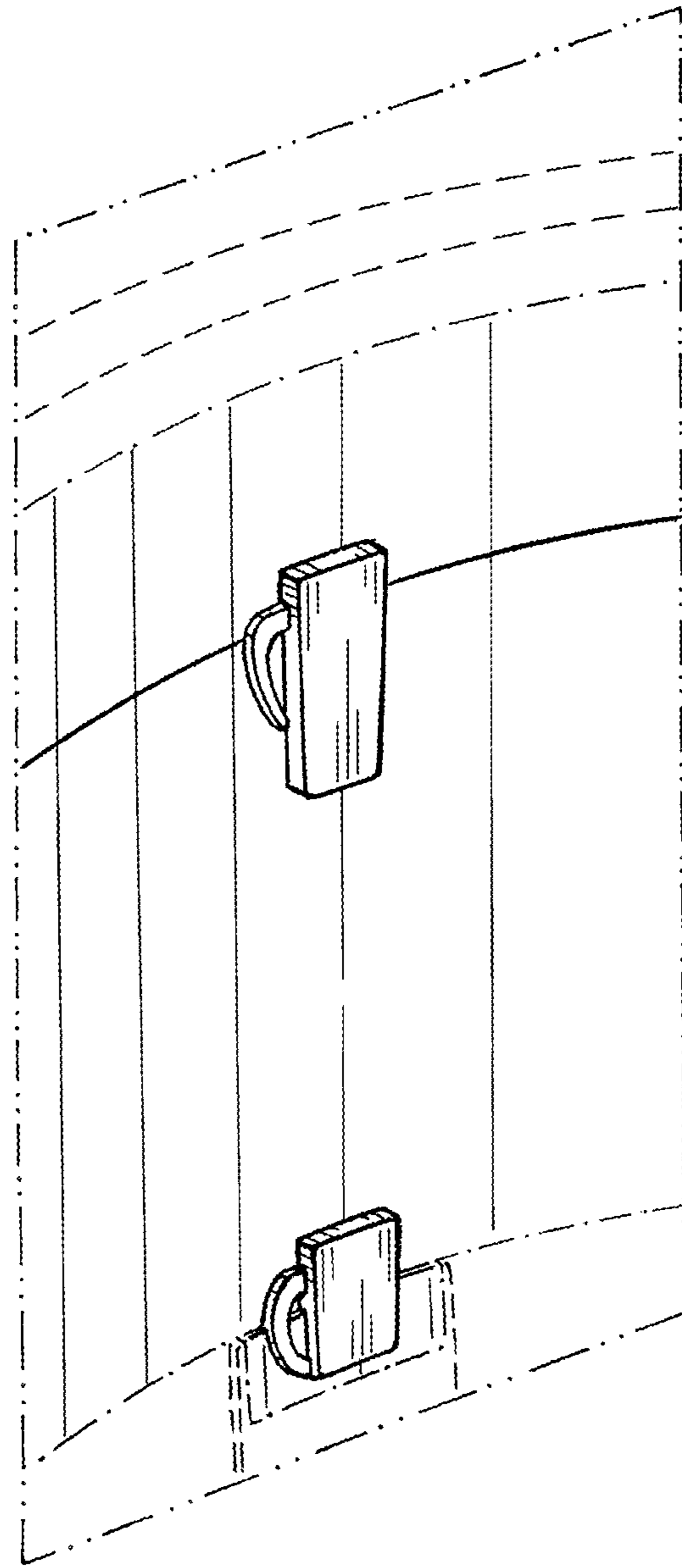


Fig. 8