

US00D836978S

(12) **United States Design Patent** (10) **Patent No.:** **US D836,978 S**
Sonnichsen et al. (45) **Date of Patent:** **** Jan. 1, 2019**

(54) **BEVERAGE DISPENSER WITH SIGHT GLASS**

(56) **References Cited**

U.S. PATENT DOCUMENTS

(71) Applicant: **GrowlerWerks, Inc.**, Portland, OR (US)
(72) Inventors: **Brian Edward Sonnichsen**, Portland, OR (US); **Evan Christopher Rege**, Portland, OR (US); **Donald Christian Maier**, Camas, WA (US); **Shawn Leland Huff**, Portland, OR (US); **Hrag Nassanian**, Portland, OR (US)

D39,921 S	4/1909	Boldt	
1,096,364 A *	5/1914	Hammer	215/245
1,512,971 A *	10/1924	Zolleis	A47J 31/46
			137/625.19
1,525,400 A *	2/1925	Kilbride	B60R 21/34
			293/24
1,574,495 A	2/1926	Look	
1,814,659 A	7/1931	Barroll	
1,840,985 A *	1/1932	Topper	A47J 31/44
			137/579
D90,943 S	10/1933	Fuerst	
2,057,550 A *	10/1936	Andrew	A47J 31/02
			99/291
2,076,881 A *	4/1937	Cunningham	A47J 31/50
			222/113
2,498,074 A	2/1950	Feldman	
2,660,343 A	11/1953	Charpiat	

(73) Assignee: **GrowlerWerks, Inc.**, Portland, OR (US)

(**) Term: **15 Years**

(21) Appl. No.: **29/599,816**

(22) Filed: **Apr. 6, 2017**

Related U.S. Application Data

(63) Continuation of application No. 29/567,538, filed on Jun. 9, 2016, now Pat. No. Des. 787,266, which is a continuation of application No. 29/498,181, filed on Jul. 31, 2014.

(51) **LOC (11) Cl.** **07-99**

(52) **U.S. Cl.**
USPC **D7/397; D7/398; D7/306; D7/313**

(58) **Field of Classification Search**
USPC D7/300, 312, 313, 306, 512, 397, 398, D7/307, 308; 220/666; 137/561 A
CPC . B65D 21/086; A61J 1/05; C12C 7/24; C12C 13/10; C12C 13/00; B01D 43/00; B62B 11/00; G01F 23/24

See application file for complete search history.

Primary Examiner — Marianne N Pandozzi
(74) *Attorney, Agent, or Firm* — Miller Nash Graham & Dunn LLP

(57) **CLAIM**

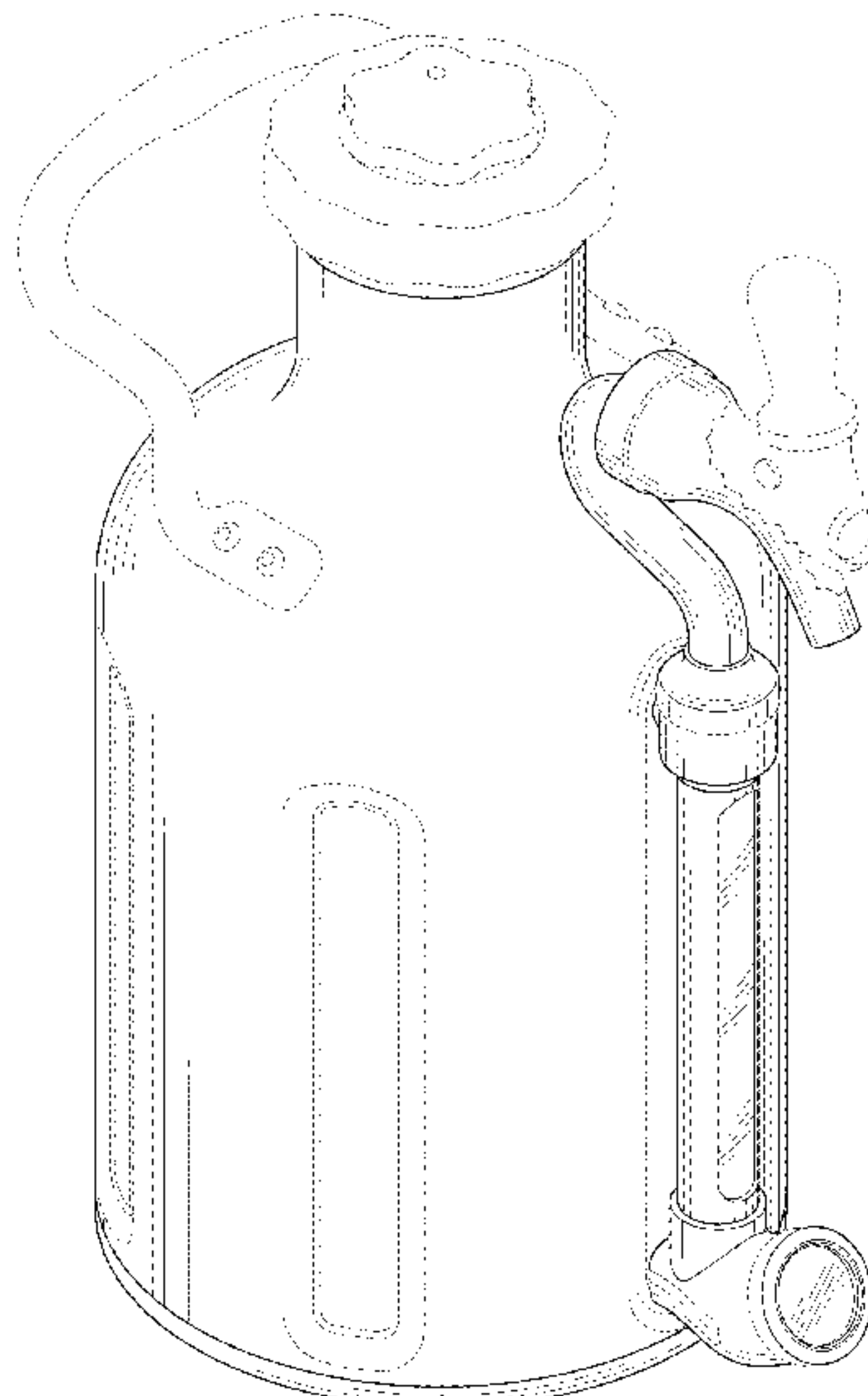
The ornamental design for a beverage dispenser with sight glass, as shown and described.

DESCRIPTION

FIG. 1 is a top, front, and right-side perspective view of a beverage dispenser with sight glass showing our new design; FIG. 2 is a front elevation view thereof; FIG. 3 is a rear elevation view thereof; FIG. 4 is a right-side elevation view thereof; FIG. 5 is a left-side elevation view thereof; FIG. 6 is a top view thereof; and, FIG. 7 is a bottom view thereof.

The broken lines in the drawings, namely the bottle handle, lid, tap handle, dimples, and bottom details, depict portions of the beverage dispenser with sight glass that form no part of the claimed design.

1 Claim, 7 Drawing Sheets



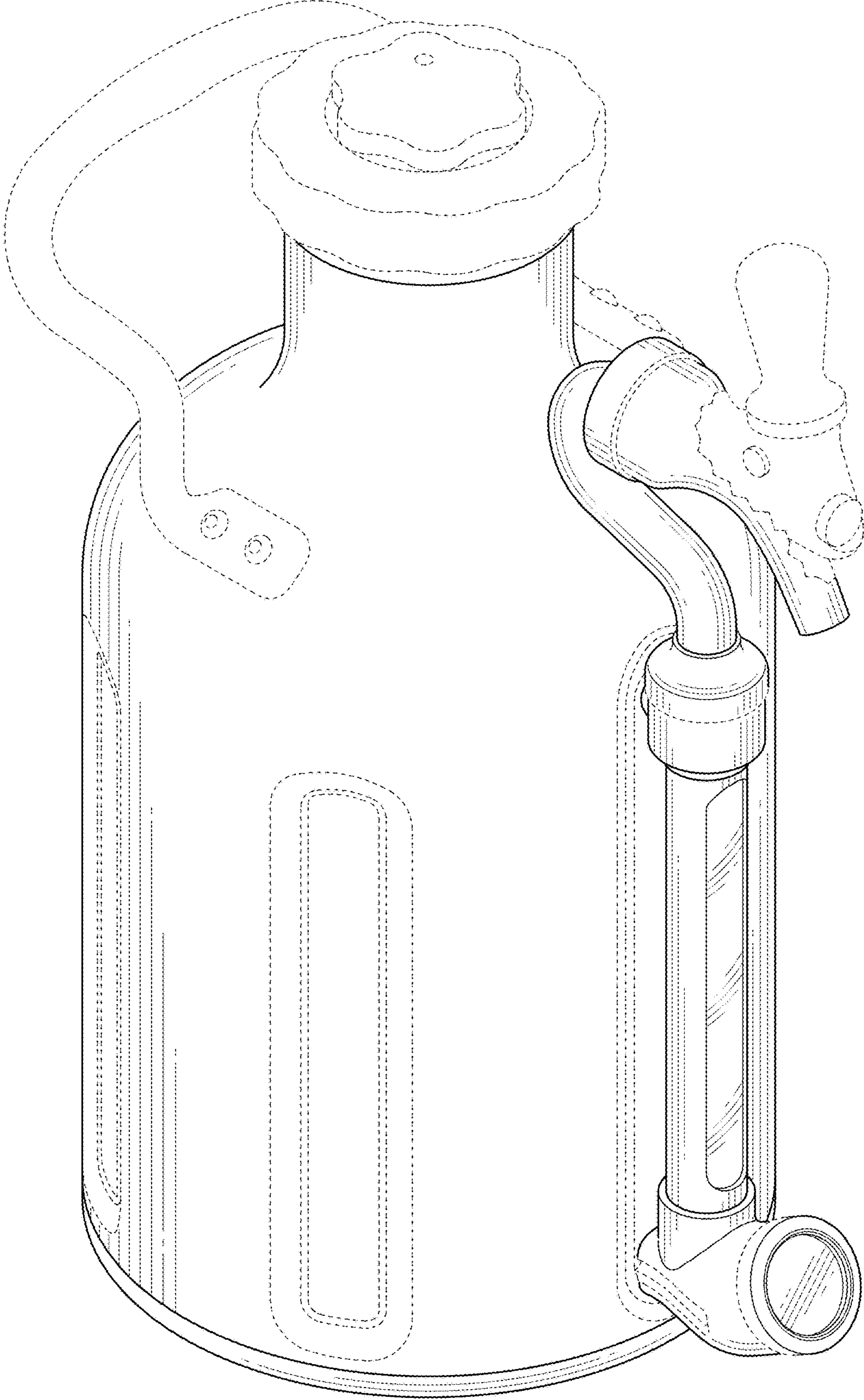


Fig. 1

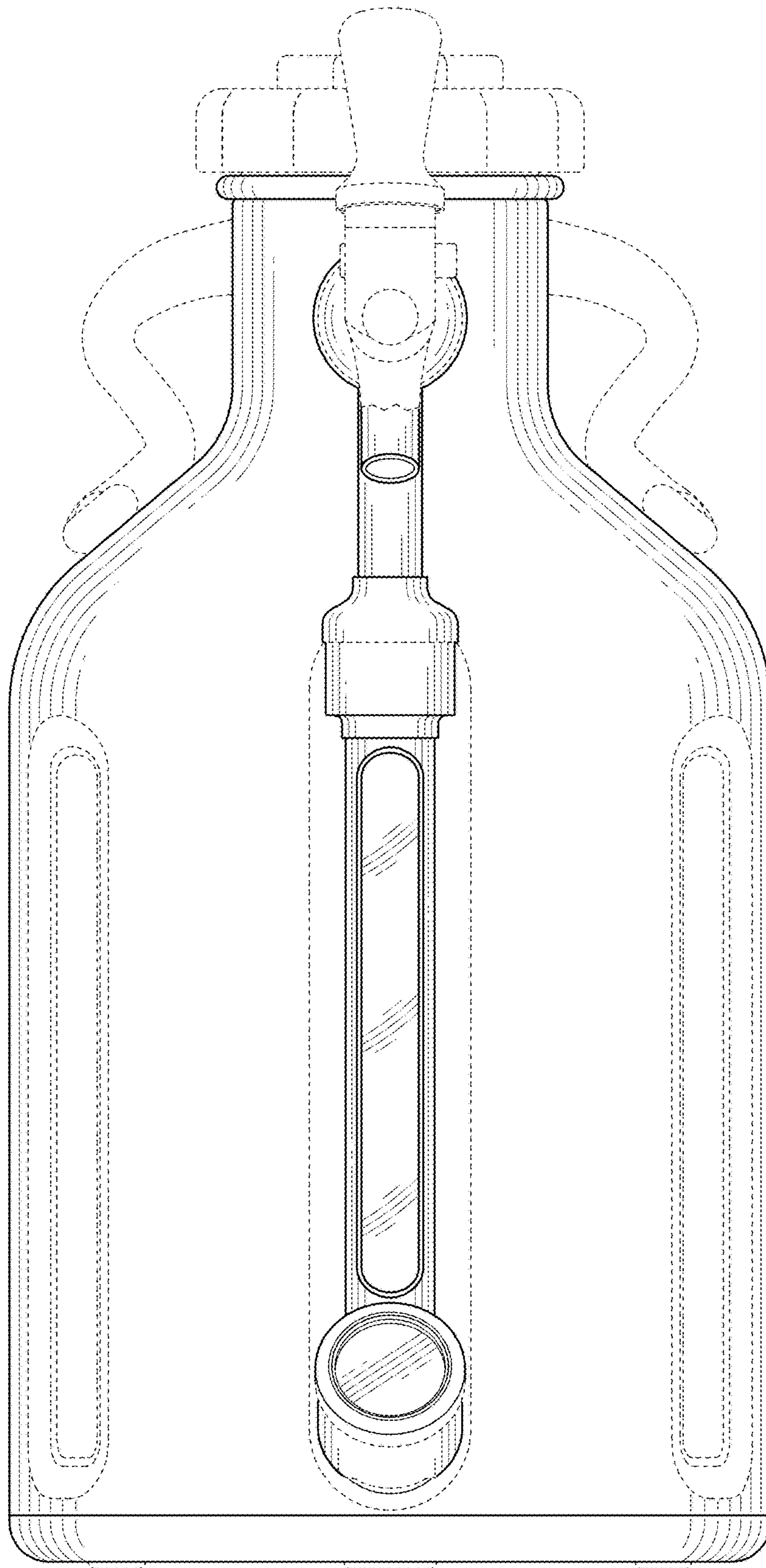


Fig. 2

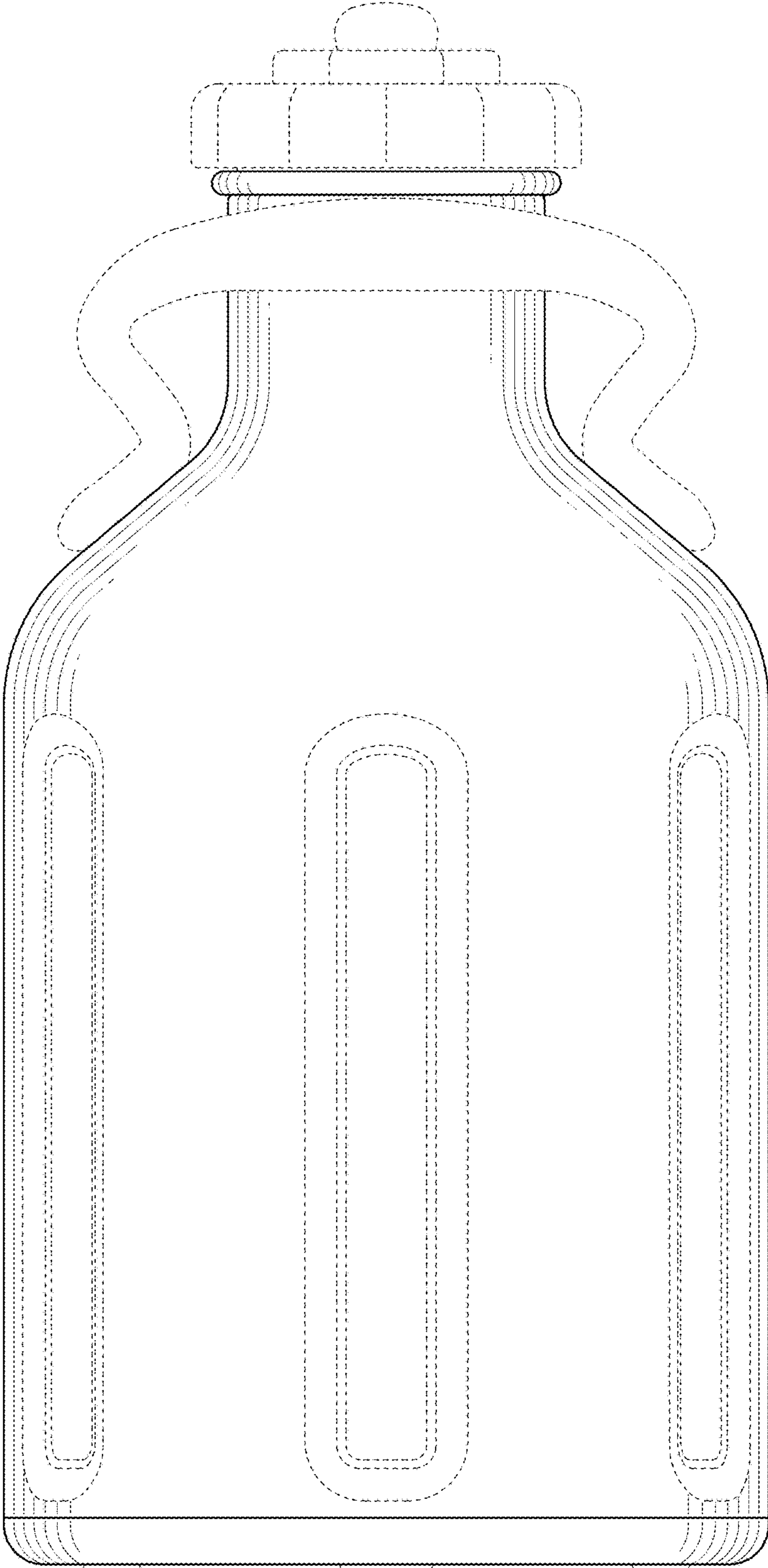


Fig. 3

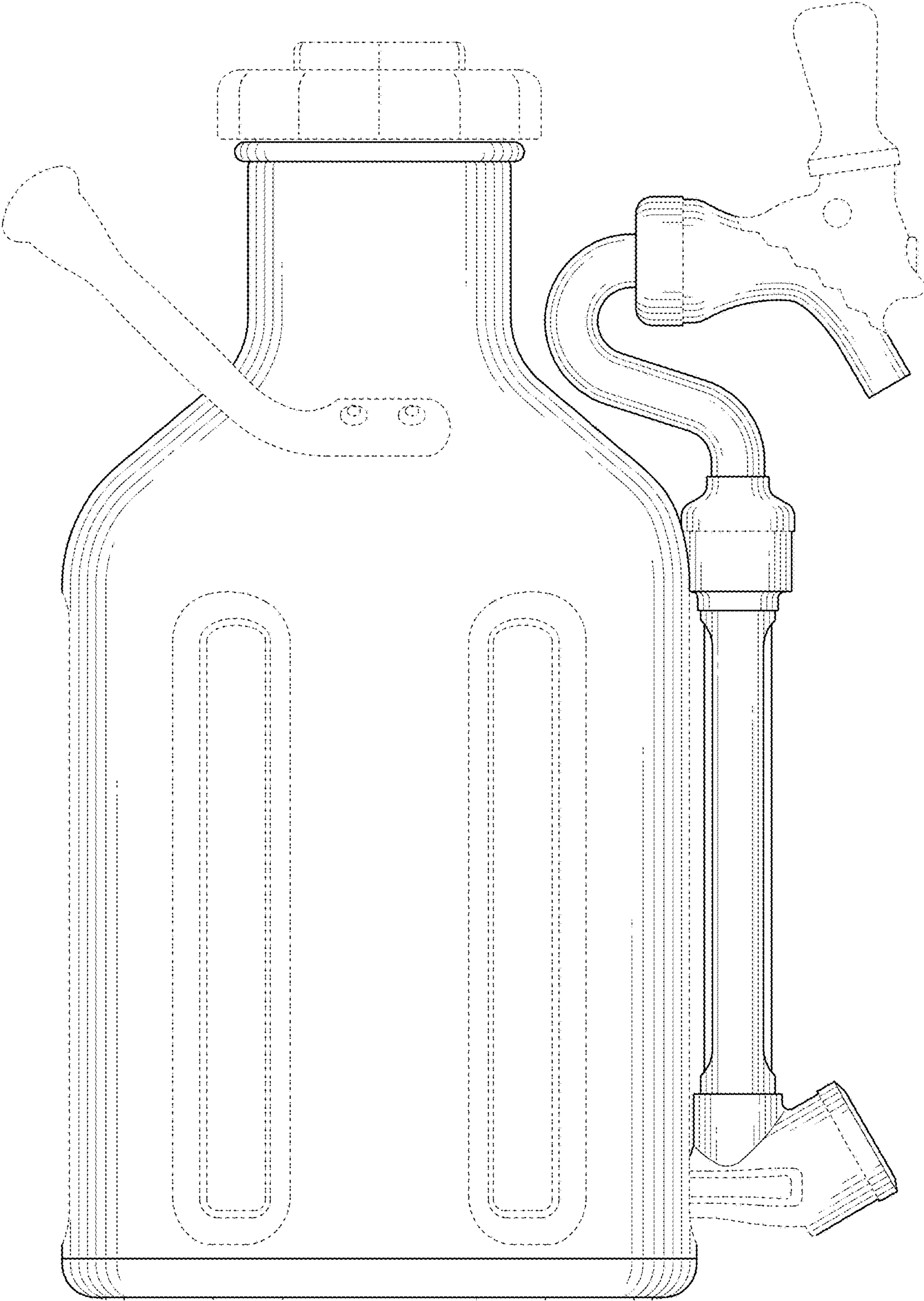


Fig. 4

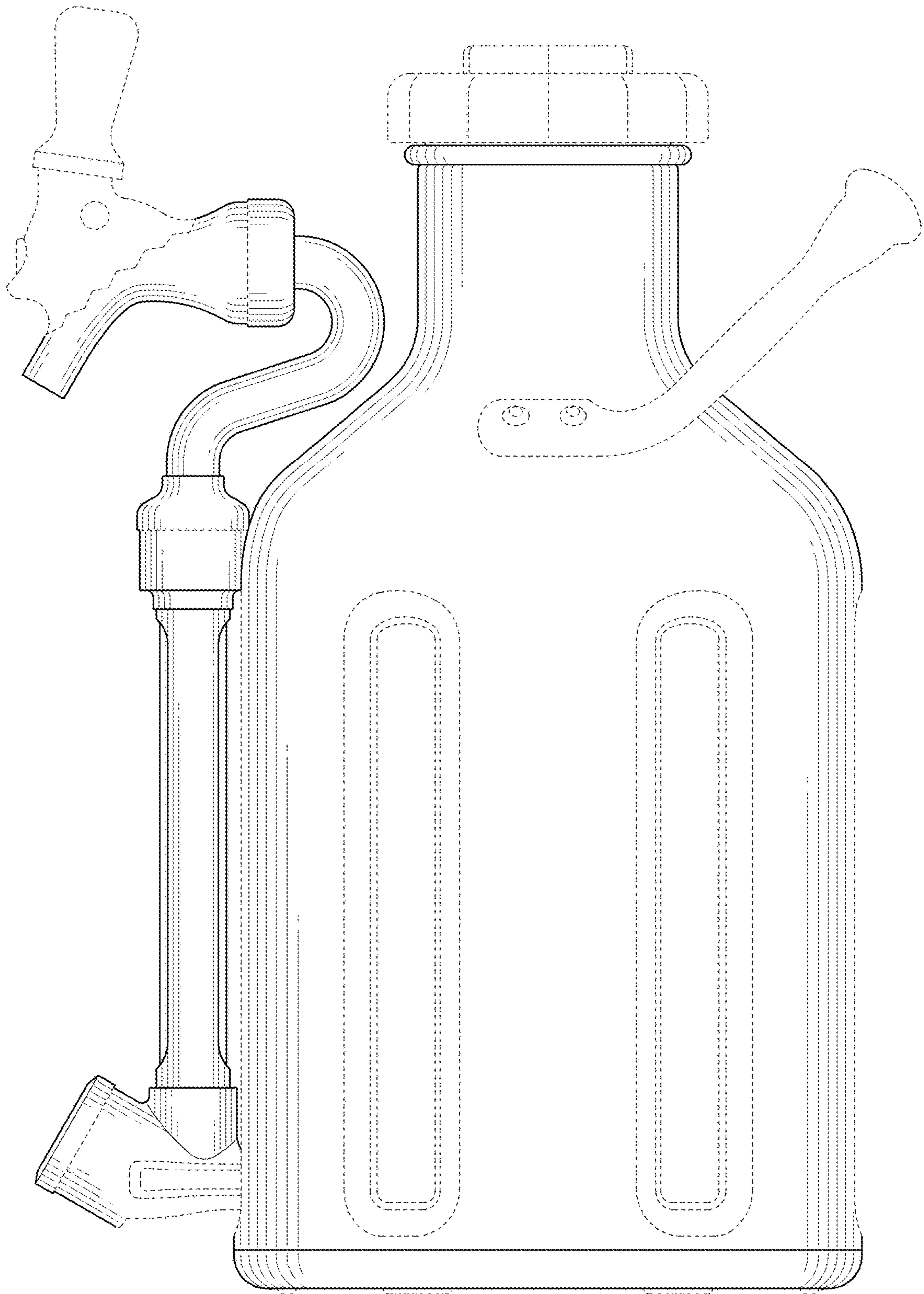


Fig. 5

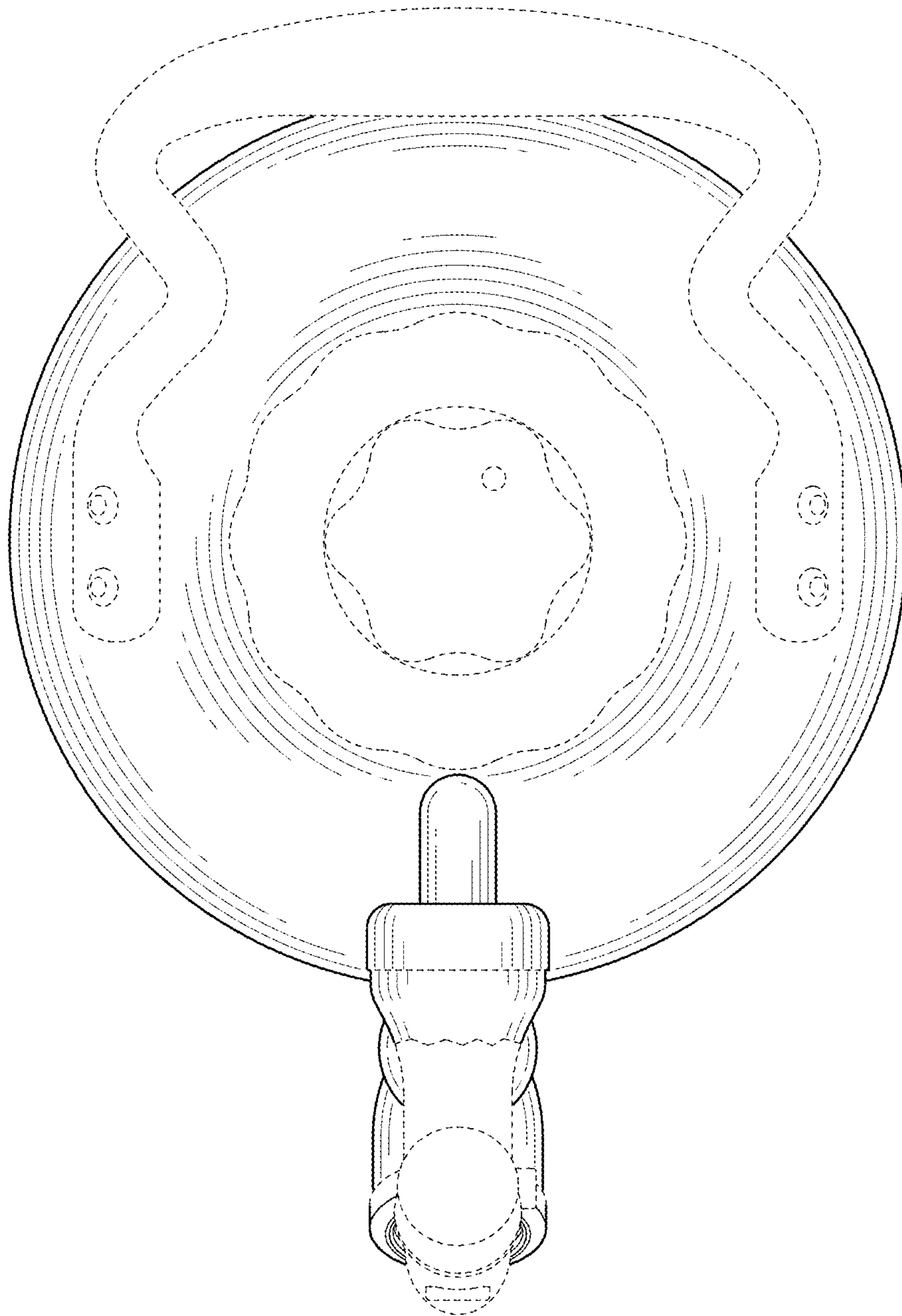


Fig. 6

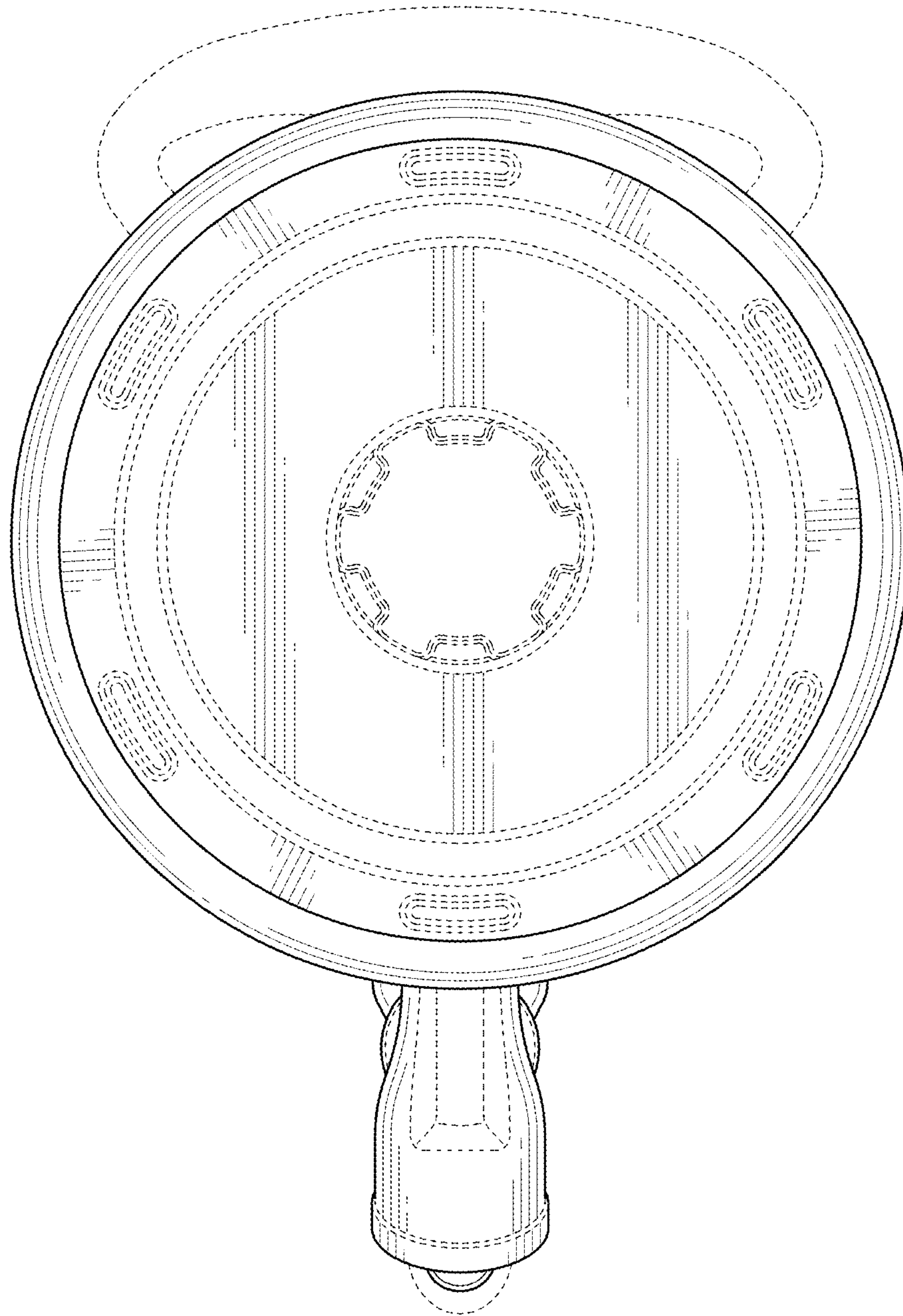


Fig. 7