



US00D836977S

(12) **United States Design Patent**
Sorensen et al.

(10) **Patent No.:** **US D836,977 S**
(45) **Date of Patent:** **** Jan. 1, 2019**

(54) **LID**

(71) Applicant: **RUNWAY BLUE, LLC**, Alpine, UT (US)

(72) Inventors: **Steven M. Sorensen**, Alpine, UT (US);
David O. Meyers, East Layton, UT (US); **Manny Carreon**, Lehi, UT (US)

(73) Assignee: **Runway Blue, LLC**, Alpine, UT (US)

(**) Term: **15 Years**

(21) Appl. No.: **29/615,151**

(22) Filed: **Aug. 25, 2017**

Related U.S. Application Data

(62) Division of application No. 29/552,966, filed on Jan. 27, 2016, now Pat. No. Des. 797,498.

(51) **LOC (11) Cl.** **07-99**

(52) **U.S. Cl.**
USPC **D7/396.2**

(58) **Field of Classification Search**
USPC ... D7/509-511, 543, 396.2, 300.2, 523, 605;
D9/525, 523, 530, 551, 435, 528
CPC A45F 3/16; A45F 3/18; A45F 22/00; A45F
22/0583; A47G 19/22; A47G 19/2205;
A47G 19/2288; A47G 19/2272; B65D
43/00; B65D 23/102; B65D 41/26; B65D
41/04; B65D 1/02; B65D 1/06
See application file for complete search history.

(56) **References Cited**

U.S. PATENT DOCUMENTS

D460,357 S 7/2002 Kras
D528,910 S 9/2006 Kingsley
D536,929 S 2/2007 Kingsley
D537,676 S 3/2007 Kingsley
D596,458 S 7/2009 McKinney
D609,969 S 2/2010 McKinney
D610,005 S 2/2010 McKinney
D619,001 S 6/2010 McKinney

D660,082 S 5/2012 Wahl
D692,276 S 10/2013 Cetera
8,752,720 B1 6/2014 Habig
D714,584 S 10/2014 Boroski
D721,912 S 2/2015 Boroski
(Continued)

OTHER PUBLICATIONS

Premium Features. Striking Design, posted © 2018 [online], retrieved Aug. 13, 2018, retrieved from internet, <https://www.blenderbottle.com/products/radian-insulated-stainless-steel>.*
BlenderBottle Radian Tritan Shaker Bottle, posted Mar. 2, 2017 [online], retrieved Aug. 13, 2018, retrieved from internet, <https://www.amazon.com/BlenderBottle-Radian-Tritan-Shaker-Bottle-32-Ounce/dp/B06X9Y6JQN>.*

(Continued)

Primary Examiner — Barbara Fox

Assistant Examiner — Messina L Smith

(74) *Attorney, Agent, or Firm* — Maschoff Brennan; Paul G. Johnson

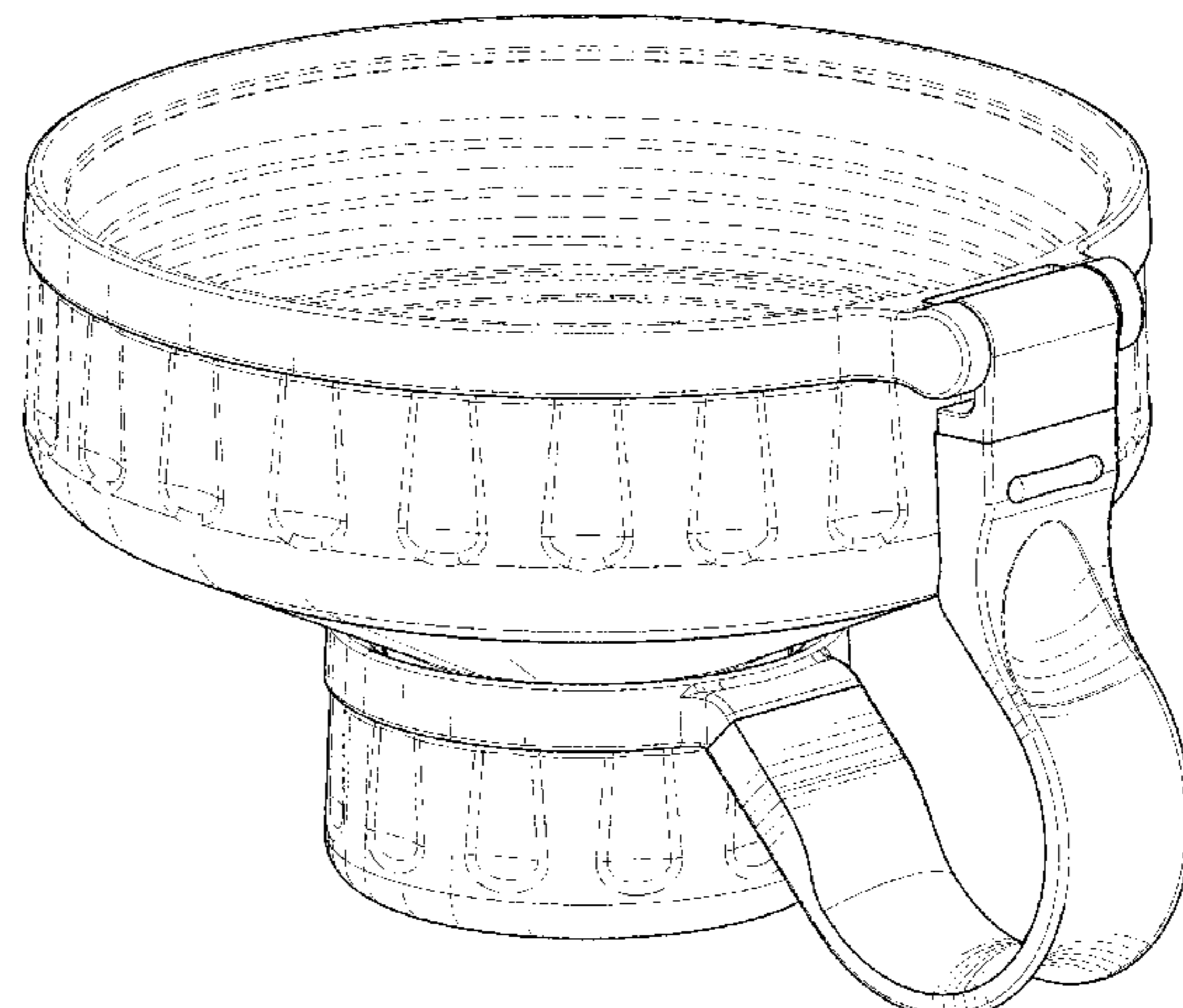
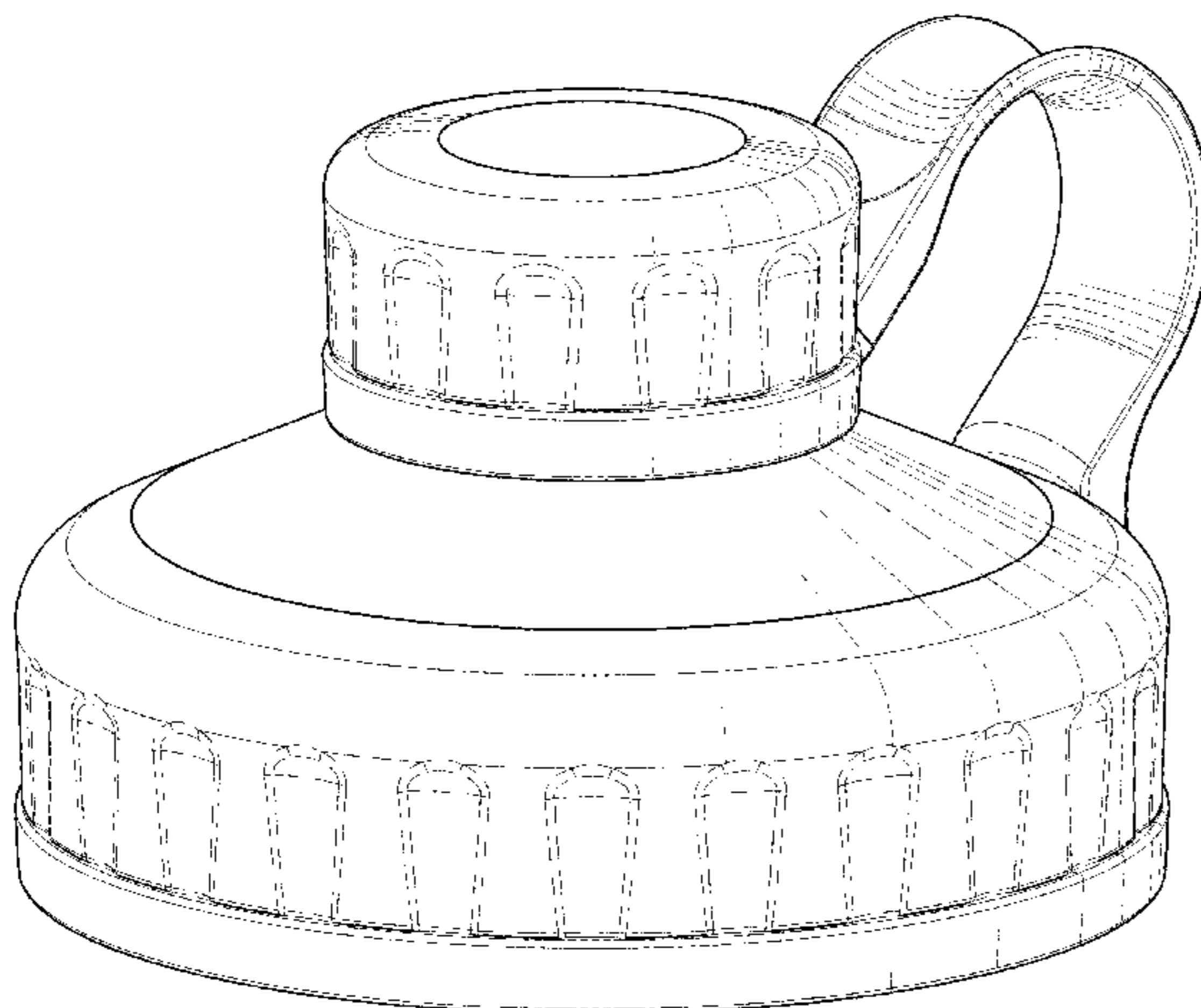
(57) **CLAIM**

The ornamental design for a lid, as shown and described.

DESCRIPTION

FIG. 1 is an upper perspective view of a lid, showing our new design;
FIG. 2 is an enlarged upper perspective view thereof;
FIG. 3 is a lower perspective view thereof;
FIG. 4 is a front view thereof;
FIG. 5 is a rear view thereof;
FIG. 6 is a left side view thereof;
FIG. 7 is a right side view thereof;
FIG. 8 is a top view thereof; and,
FIG. 9 is a bottom view thereof.
The broken lines showing a bottle in FIG. 1 depict environment and form no part of the claimed design. All other broken lines in the figures depict portions of the lid that form no part of the claimed design.

1 Claim, 9 Drawing Sheets



(56)

References Cited

U.S. PATENT DOCUMENTS

D760,540	S	7/2016	Marina	
D763,076	S	8/2016	Lane	
D767,390	S	9/2016	Miksovsky	
D769,671	S	10/2016	Bielawski	
D791,542	S *	7/2017	Miksovsky D7/510
D795,646	S *	8/2017	Sorensen D7/511
9,771,189	B2 *	9/2017	Miksovsky B65D 47/122
D816,397	S *	5/2018	Karl, IV D7/392.1
D818,774	S *	5/2018	Stover D7/510
D824,722	S *	8/2018	Marina D7/396.2
2006/0016819	A1	1/2006	Paslowski	
2008/0087624	A1	4/2008	Buckley	
2009/0236341	A1	9/2009	McKinney	
2011/0278216	A1	11/2011	Hull	
2015/0173540	A1	6/2015	Albers	

OTHER PUBLICATIONS

A Few of the Best Travel Water Bottles Perfect for Any Trip, posted at Welltraveledmile.com, posted on Sep. 22, 2016 site visited Dec. 2016, <<http://www.welltraveledmile.com/a-few-of-the-best-travel-water-bottles-perfect-for-any-trip/>>.

Office Action from U.S. Appl. No. 29/552,963 dated Dec. 15, 2016. OLLYDO47G Ollybottle Travel Waterbottle W Removable Dish, posted at Dogscene.com, no posting late given, © 2016, site visited Dec. 5, 2016, <<https://www.dogscene.com/products/ollydog-ollybottle-travel-water-bottle-w-removable-dish>>.

Eco Vessel Twist Triple Insulated Stainless Steel Bottle, 13 oz—Black Skulls, posted at Reusit.com, no posting date given, © 2016, site visited Dec. 5, 2016, <<https://www.reuseit.com/eco-vessel-twist-triple-insulated-stainless-steel-bottle-13-oz-black-skulls.htm>>.

* cited by examiner

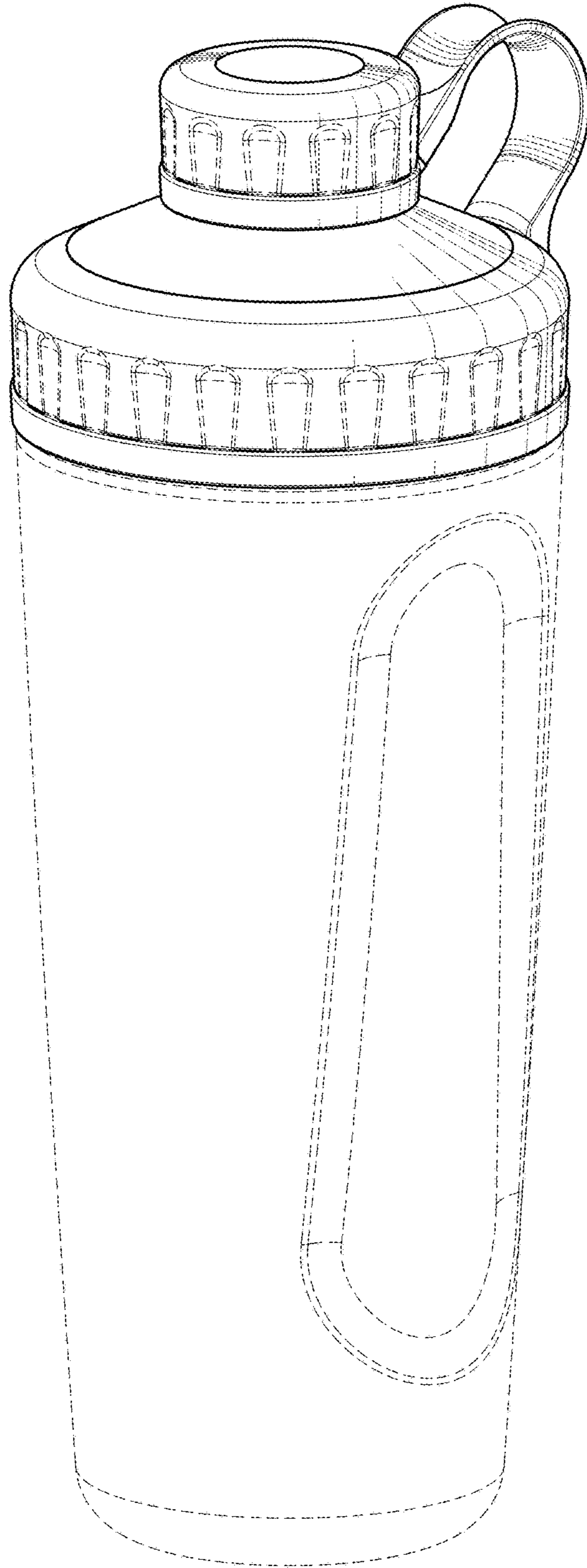


FIG. 1

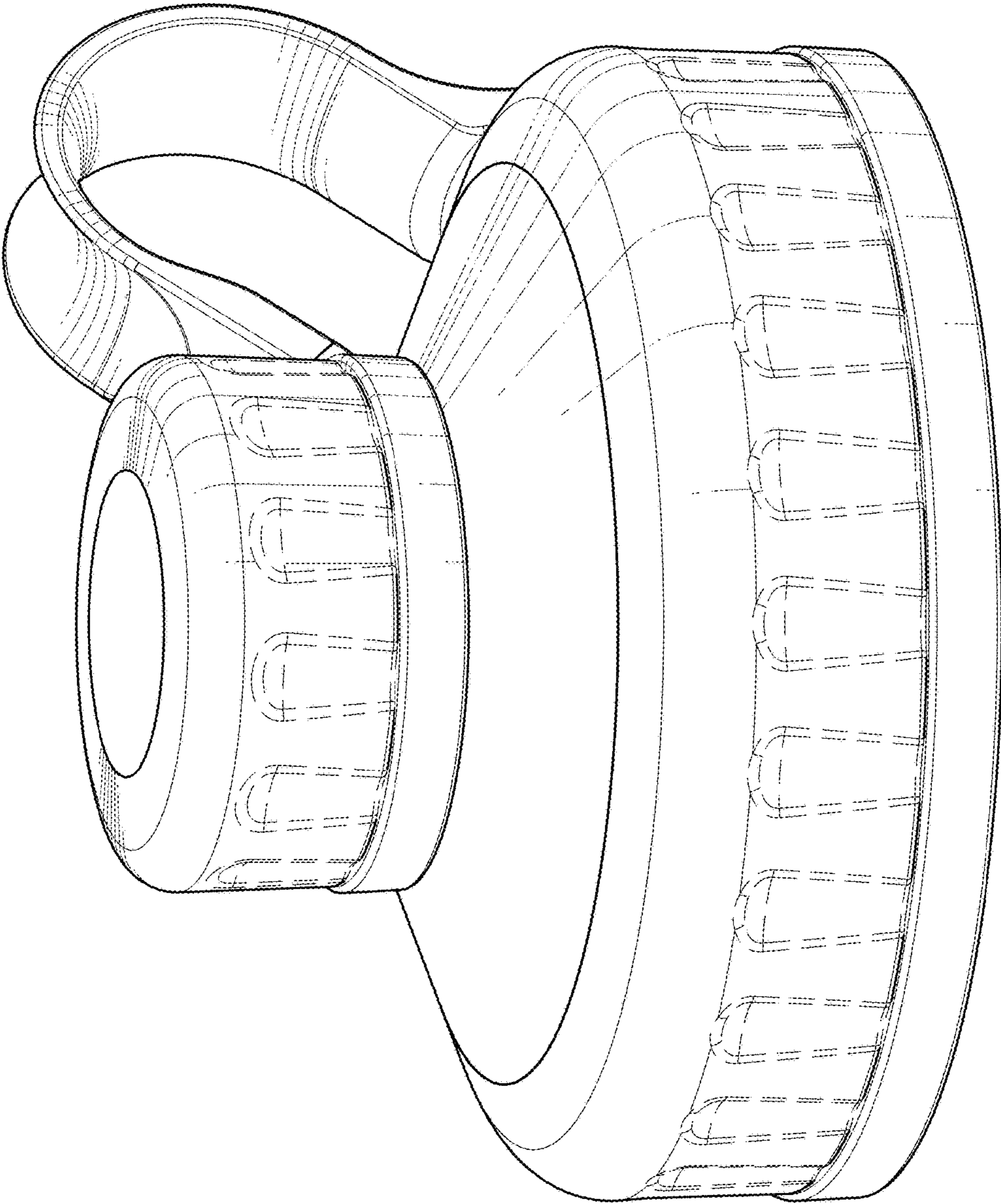


FIG. 2

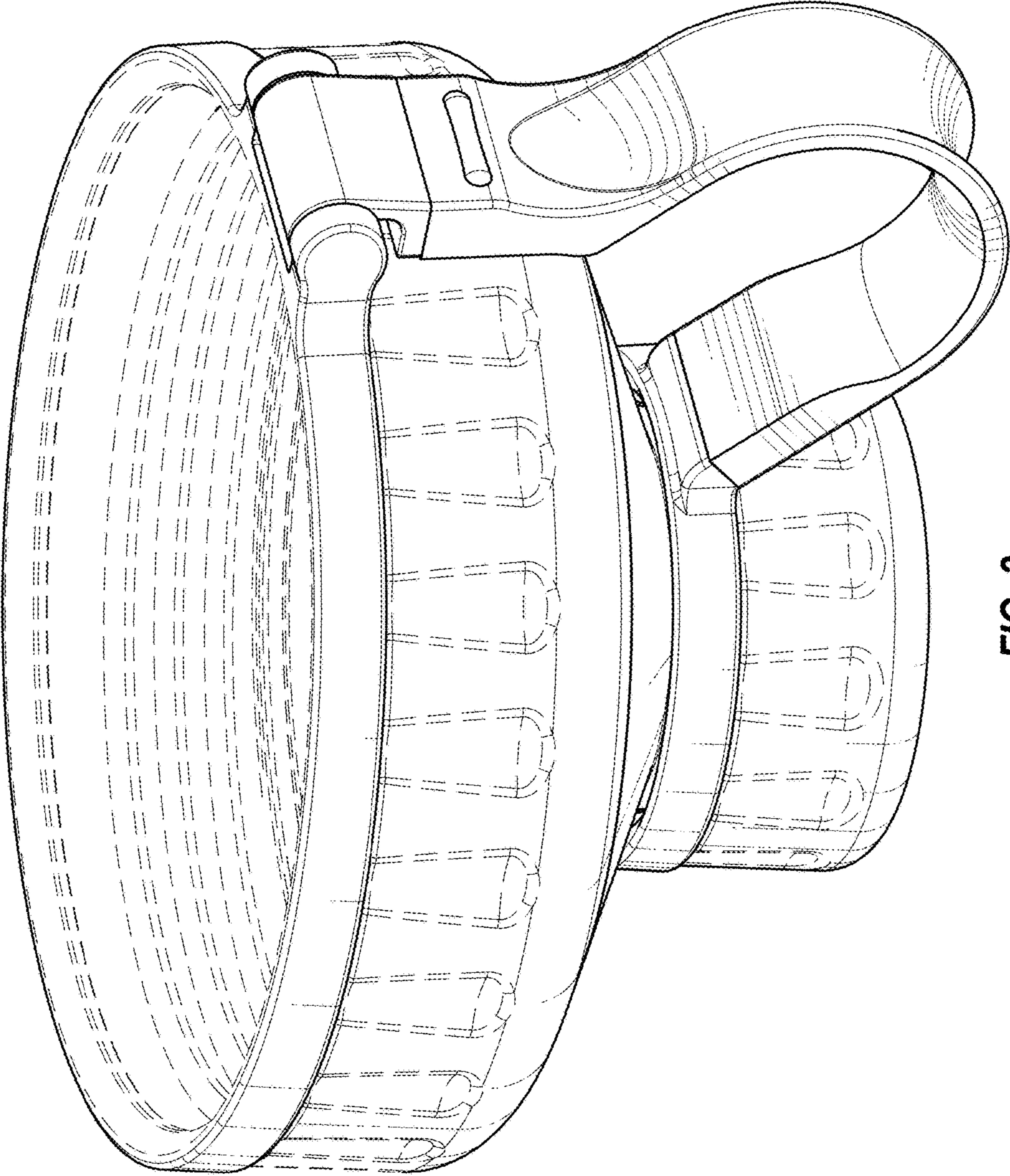


FIG. 3

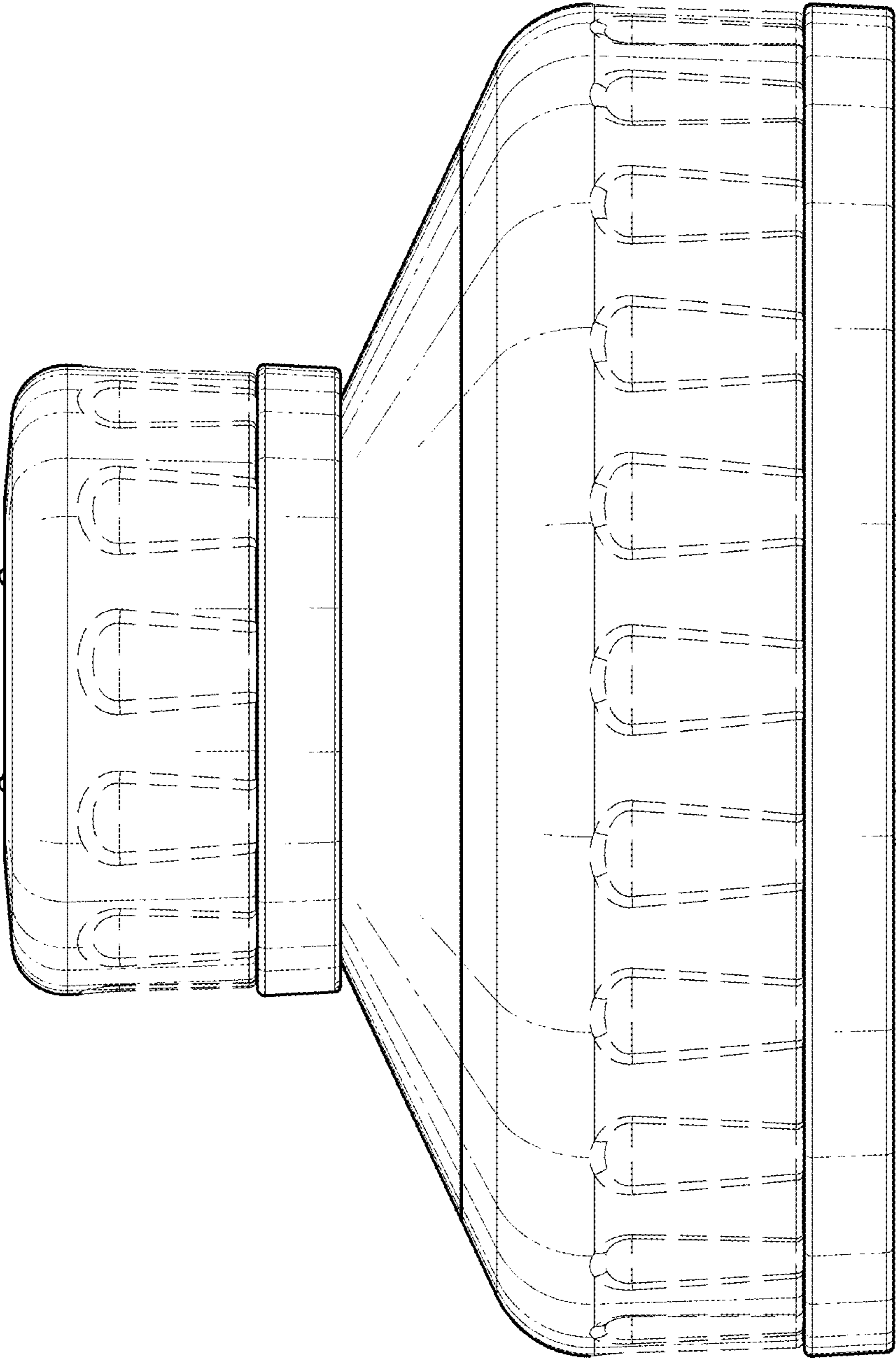


FIG. 4

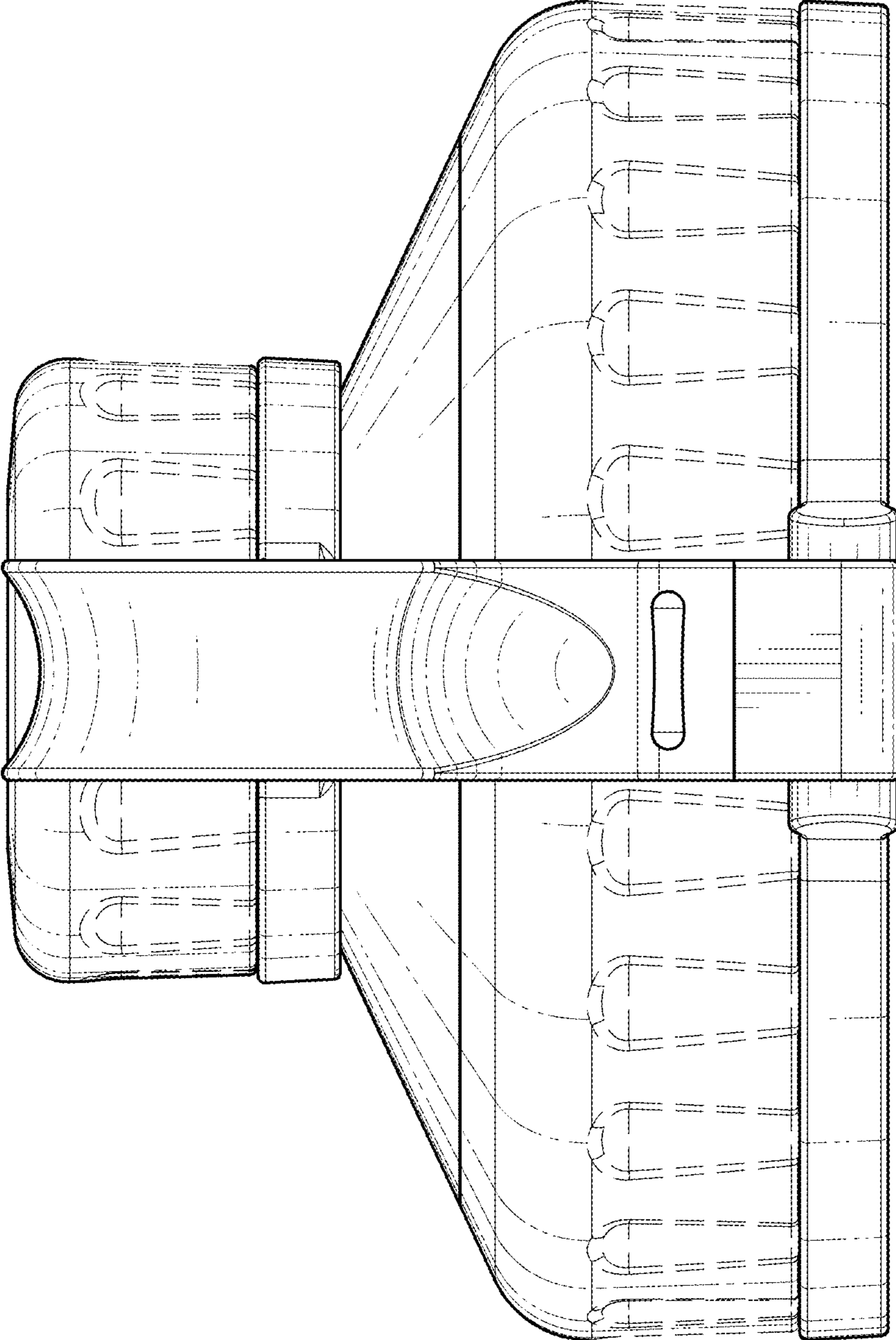


FIG. 5

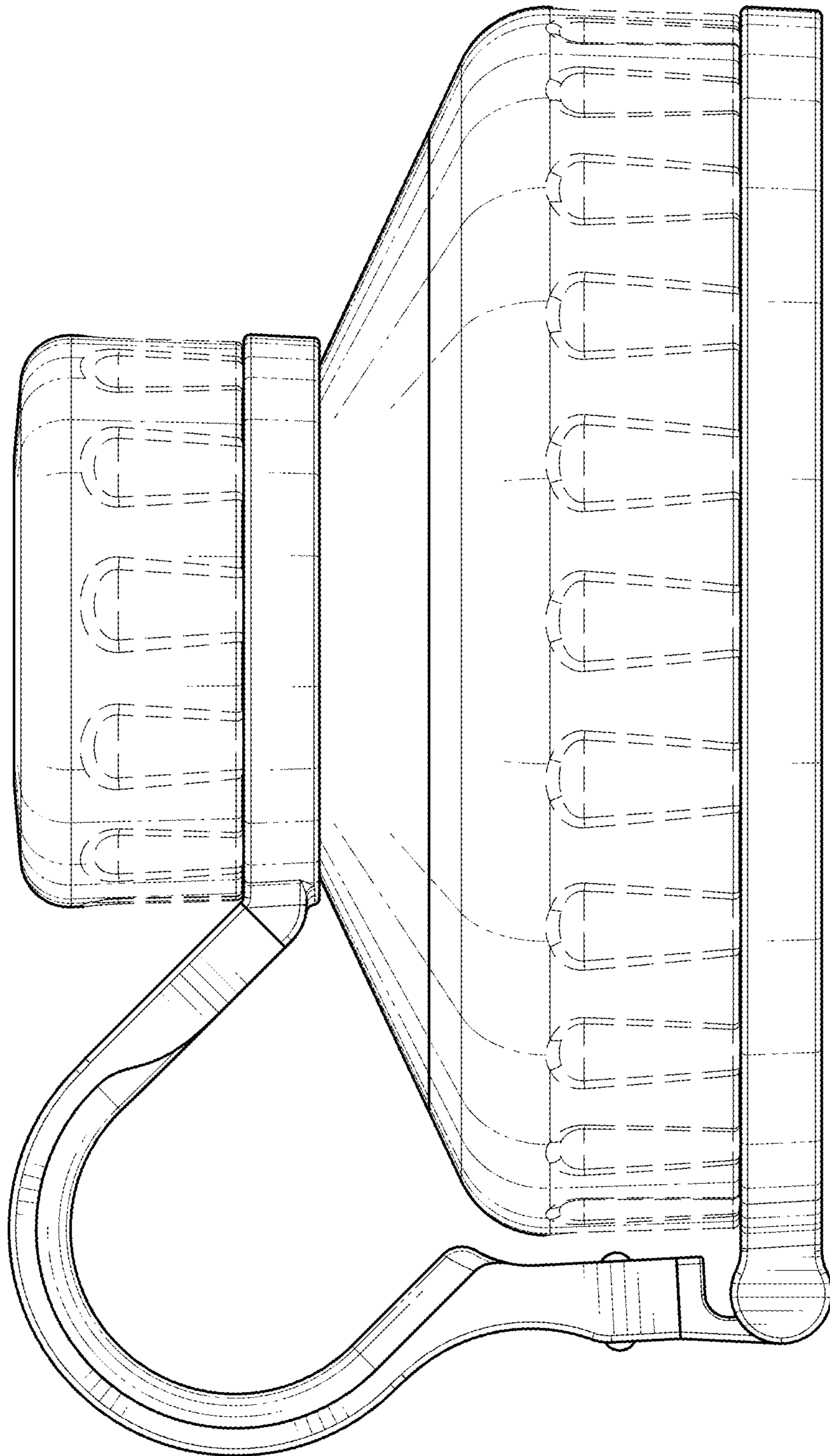


FIG. 6

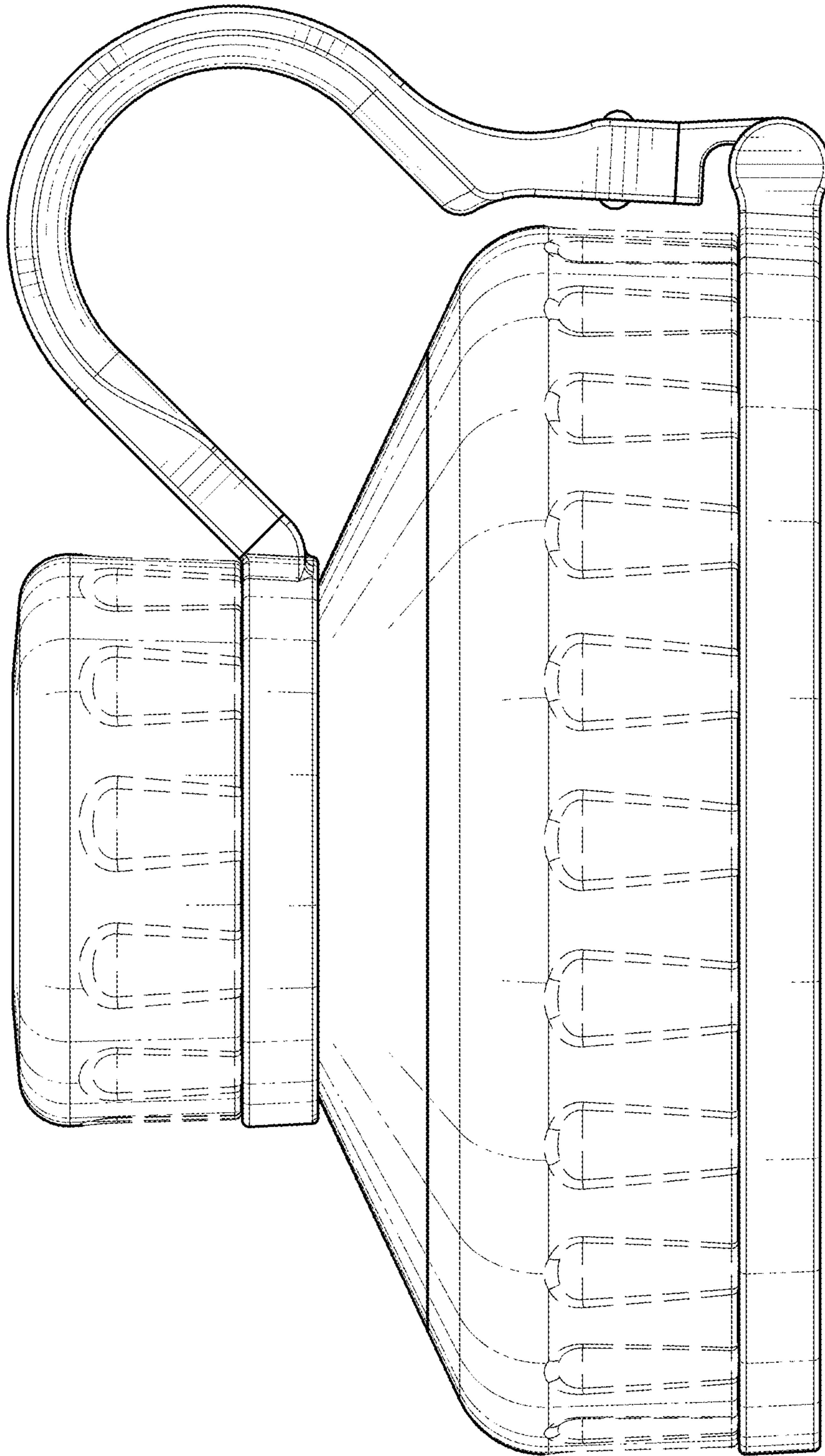


FIG. 7

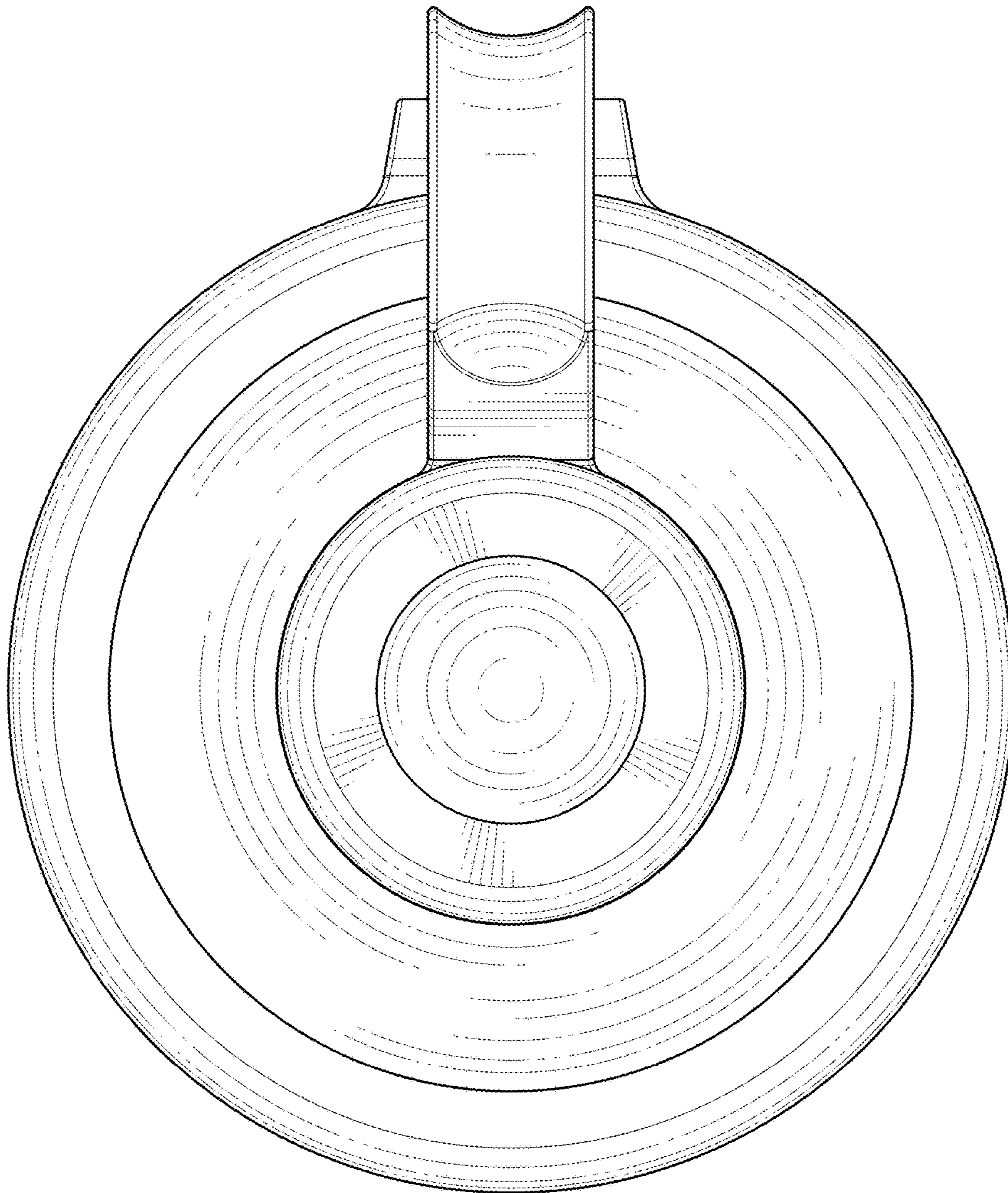


FIG. 8

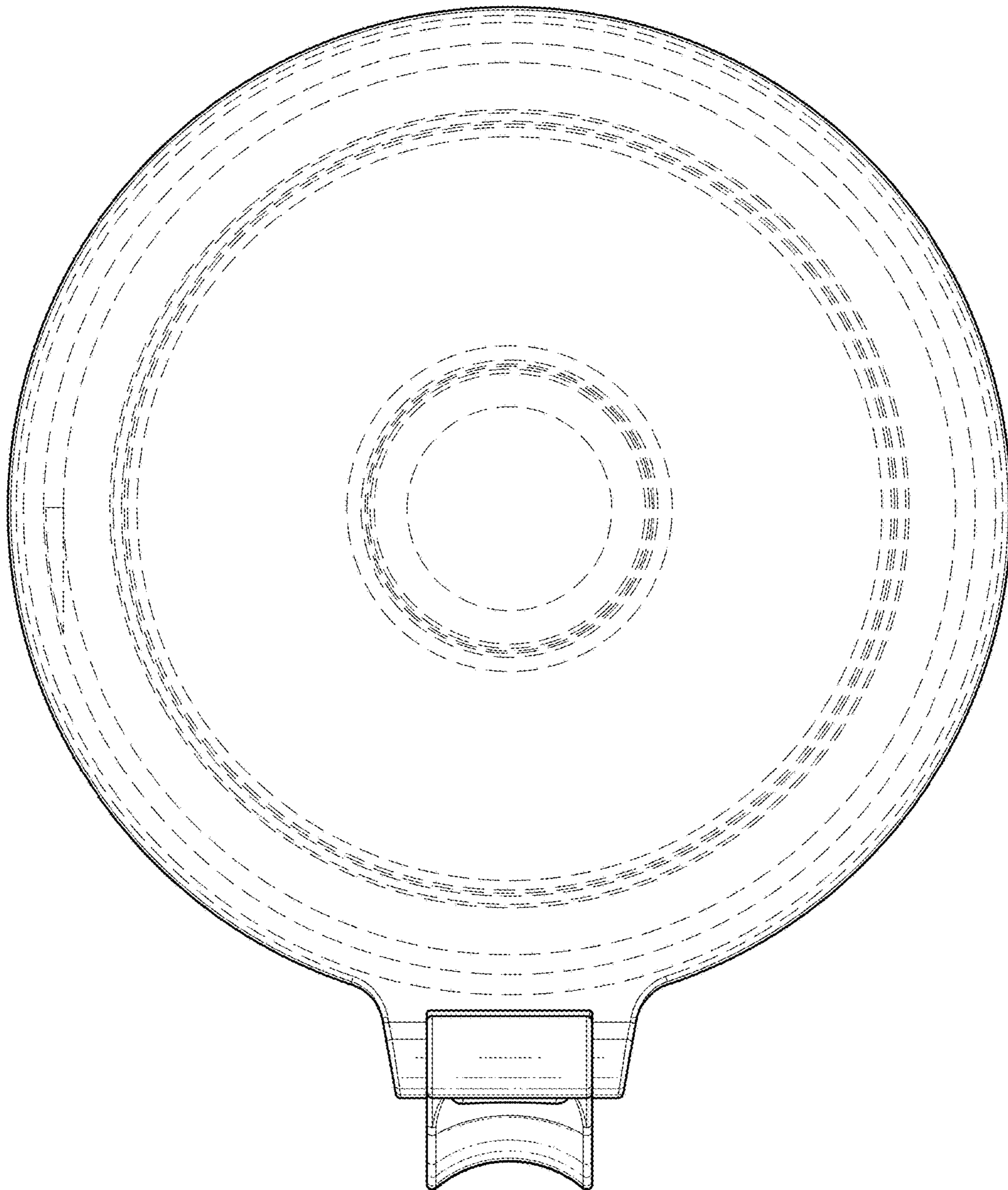


FIG. 9