

US00D836974S

(12) **United States Design Patent**
Seiders et al.

(10) **Patent No.:** **US D836,974 S**

(45) **Date of Patent:** **** Jan. 1, 2019**

(54) **CONTAINER**

(71) Applicant: **YETI Coolers, LLC**, Austin, TX (US)

(72) Inventors: **Roy Joseph Seiders**, Austin, TX (US);
Matthew Joseph Petrillo, Austin, TX (US);
Kyle Ellison, Austin, TX (US)

(73) Assignee: **YETI Coolers, LLC**, Austin, TX (US)

(**) Term: **15 Years**

(21) Appl. No.: **29/606,305**

(22) Filed: **Jun. 2, 2017**

(51) **LOC (11) Cl.** **07-01**

(52) **U.S. Cl.**
USPC **D7/392.1**

(58) **Field of Classification Search**
USPC D3/202; D7/392, 392.1, 396.2, 511, 601,
D7/602, 619.1, 620-622; D9/434-436,
(Continued)

(56) **References Cited**

U.S. PATENT DOCUMENTS

D192,192 S 2/1962 Tupper
4,090,660 A 5/1978 Schram et al.
(Continued)

FOREIGN PATENT DOCUMENTS

EP 0654417 A1 5/1995
EP 1332977 A1 8/2003
GB 253358 A 6/1926

OTHER PUBLICATIONS

Stash. Hydro Flask Wide Mouth Insulated Tumbler with Flip Lid.
Aug. 3, 2016 [earliest online date], [site visited Feb. 1, 2018].

Available from Internet, <URL:https://www.stashtea.com/products/hydroflask-wide-mouth-insulated-tumbler-with-flip-lid#>. (Year: 2016).*
(Continued)

Primary Examiner — Eric L Goodman
Assistant Examiner — Darcey E Heflin
(74) *Attorney, Agent, or Firm* — Banner & Witcoff, Ltd.

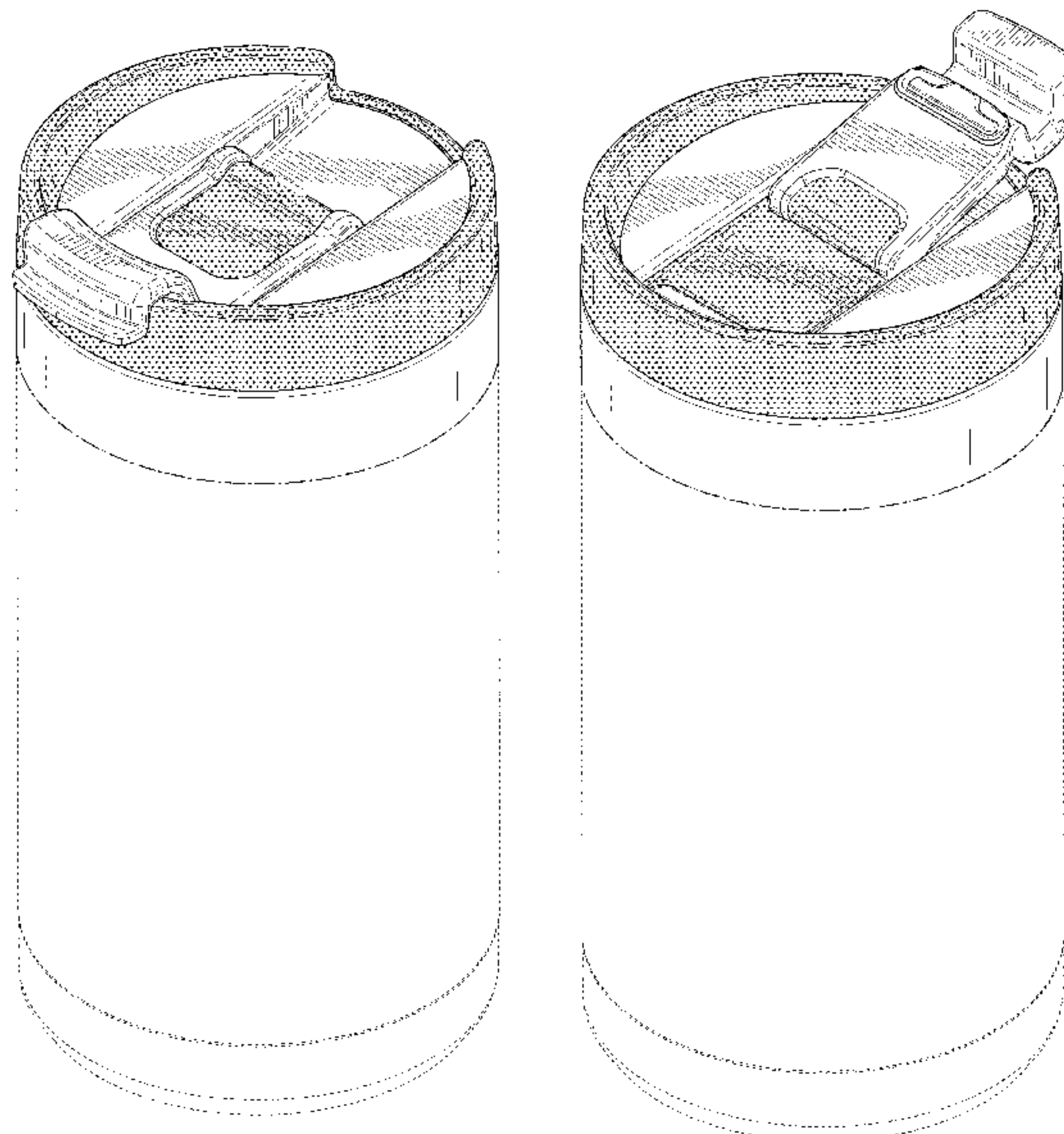
(57) **CLAIM**

The ornamental design for a container, as shown and described.

DESCRIPTION

FIG. 1 is a top, front, right perspective view of a container showing my new design;
FIG. 2 is a bottom perspective view thereof;
FIG. 3 is a front view thereof;
FIG. 4 is a rear view thereof;
FIG. 5 is a right side view thereof;
FIG. 6 is a left side view thereof;
FIG. 7 is a top view thereof;
FIG. 8 is a bottom view thereof;
FIG. 9 is a top, front, right perspective view of a container showing our new design in an alternate configuration;
FIG. 10 is a bottom perspective view thereof;
FIG. 11 is a front view thereof;
FIG. 12 is a rear view thereof;
FIG. 13 is a right side view thereof;
FIG. 14 is a left side view thereof;
FIG. 15 is a top view thereof; and,
FIG. 16 is a top, front, right perspective view of a container showing our new design in a second alternate configuration. The stippling in the drawings represents a contrast in appearance only and does not represent any particular color, material, texture or finish. The dash-dot-dash and evenly spaced broken lines immediately adjacent to the shaded area represent unclaimed boundaries of the design. All other broken lines depict environment and form no part of the claim.

1 Claim, 16 Drawing Sheets



(58) **Field of Classification Search**

USPC D9/438, 440, 443, 447, 452–454, 499,
D9/449

CPC B65D 39/00; B65D 39/0035; B65D 43/16;
B65D 41/34; B65D 41/3438; B65D
41/0471; B65D 47/12; B65D 47/122;
B65D 51/1688

See application file for complete search history.

(56) **References Cited**

U.S. PATENT DOCUMENTS

4,202,459	A	5/1980	DeParales et al.	
4,408,703	A	10/1983	Libit	
D288,667	S *	3/1987	Miner	D9/440
D363,666	S	10/1995	Goto et al.	
5,746,338	A	5/1998	Takahashi et al.	
D416,755	S *	11/1999	Trombly	D7/391
D485,759	S	1/2004	Janky et al.	
D504,796	S	5/2005	Schuler et al.	
D544,749	S	6/2007	Seum et al.	
D552,926	S	10/2007	Yelland	
D584,566	S *	1/2009	Fuller	D7/387
D608,140	S	1/2010	Gilbert	
D623,017	S *	9/2010	George	D7/510
D627,600	S	11/2010	Eyal	
D643,245	S	8/2011	Minarsch	
D644,060	S	8/2011	Komeiji	
D647,753	S	11/2011	Lin	
D655,570	S	3/2012	Meehan	
D655,604	S *	3/2012	Molina	D9/436
D655,967	S	3/2012	Bodum	
D662,354	S *	6/2012	Bodum	D7/392.1
D666,052	S	8/2012	Trombly	
D667,263	S	9/2012	Gilbert et al.	
8,276,776	B2	10/2012	Roth et al.	
D674,663	S	1/2013	Cahen	
D691,416	S	10/2013	Eyal	
D692,756	S	11/2013	McClellan et al.	
D696,900	S *	1/2014	George	D7/392.1
D710,698	S *	8/2014	Giraud	D7/396.2
D715,100	S	10/2014	Eyal	
D717,103	S *	11/2014	Wilbur	D7/392.1
D717,115	S	11/2014	Lane et al.	
D721,535	S	1/2015	Chapman et al.	
D721,540	S	1/2015	Grcic	
D732,337	S	6/2015	Coon et al.	
D747,199	S	1/2016	Phillips	
D751,340	S	3/2016	Seiders et al.	
D751,341	S	3/2016	Seiders et al.	
D752,381	S	3/2016	Wahl	
D752,397	S	3/2016	Seiders et al.	
9,346,076	B1	5/2016	Ford	
D761,618	S	7/2016	Lapsker	
D764,869	S	8/2016	Smrtnik et al.	
D772,651	S	11/2016	Leonard et al.	

D779,872	S	2/2017	Bergstrom	
D780,531	S	3/2017	Seiders et al.	
D789,737	S *	6/2017	Eyal	D7/300.1
D795,020	S	8/2017	Seiders et al.	
D796,256	S *	9/2017	Stover	D7/396.2
D799,899	S	10/2017	Rummel et al.	
D801,746	S *	11/2017	Thuma	D7/392.1
D802,362	S *	11/2017	Spivey	D7/396.2
D803,619	S *	11/2017	Seiders	D7/392.1
D803,684	S *	11/2017	Seiders	D9/449
D804,905	S *	12/2017	Seiders	D7/510
D805,838	S *	12/2017	Guthrie	D7/392.1
D807,701	S	1/2018	Bo	
D808,218	S *	1/2018	Seiders	D7/510
D814,240	S	4/2018	Kabalin	
2010/0288782	A1	11/2010	Lin	
2011/0114655	A1	5/2011	Bailey	
2012/0125931	A1	5/2012	Roth et al.	
2013/0186918	A1	7/2013	Menceles et al.	
2014/0374418	A1	12/2014	Ouellette	
2015/0021345	A1	1/2015	Wu	
2015/0266597	A1	9/2015	Hertzog et al.	
2017/0273484	A1 *	9/2017	Spivey	A47G 19/2288

OTHER PUBLICATIONS

“Bubba Brands Classic Insulated Travel Mug”. Found online Mar. 9, 2017 at amazon.com. Page dated Sep. 30, 2010. Retrieved from https://www.amazon.com/Bubba-Brands-1953403-Classic-Insulated/dp/B01FB7IG8Y/ref=cm_cr_ar_p_d_product_top?ie=UTF8.

“Hydro Flask Wide Mouth Hydro Flip Lid”. Found online Mar. 9, 2017 at amazon.com. Page dated Oct. 9, 2012. Retrieved from http://www.amazon.com/Hydro-Flask-Wide-Mouth-Black/dp/B01GW2H430/ref=cm_cr_ar_p_d_product_top?ie=UTF8.

“Bubba Hero Bottle Replacement Lid”. Found online Mar. 9, 2017 at amazon.com. Page dated Jan. 14, 2015. Retrieved from https://www.amazon.com/bubba-HERO-bottle-replacement-lid/dp/B00QQYDI44/ref=cm_cr_ar_p_d_product_top?e=UTF8.

Hydro Flask. Hydro Flip. 2015 [earliest online date], [site visited Apr. 28, 2017]. Available from Internet, <URL:<https://www.hydroflask.com/hydro-flip#92=57>>.

“Contigo Extreme Stainless Steel Travel Mug”. Found online Mar. 9, 2017 at amazon.com. Page dated Sep. 13, 2016. Retrieved from https://www.amazon.com/Contigo-Extreme-Stainless-Insulated-Limited/dp/B01LZGBMKT/ref=pd_sim_79_3?_encoding=UTF8&psc=&refRID=A4VHP8EG6AKH3BG73BMZ.

Jane. Spill Resistant Flip Lid and Yeti Accessories. Dec. 5, 2016 [earliest online date], [site visited Apr. 28, 2017]. Available from Internet, <URL:<https://jane.com/deal/263319/spill-resistant-flip-lid-and-yeti-accessories-30oz-many-colors>>.

Aug. 23, 2017—(WO) International Search and Written Opinion—App. PCT/US2017/038341.

Aug. 23, 2017—(WO) International Search Report and Written Opinion—App. PCT/US2017/038344.

* cited by examiner

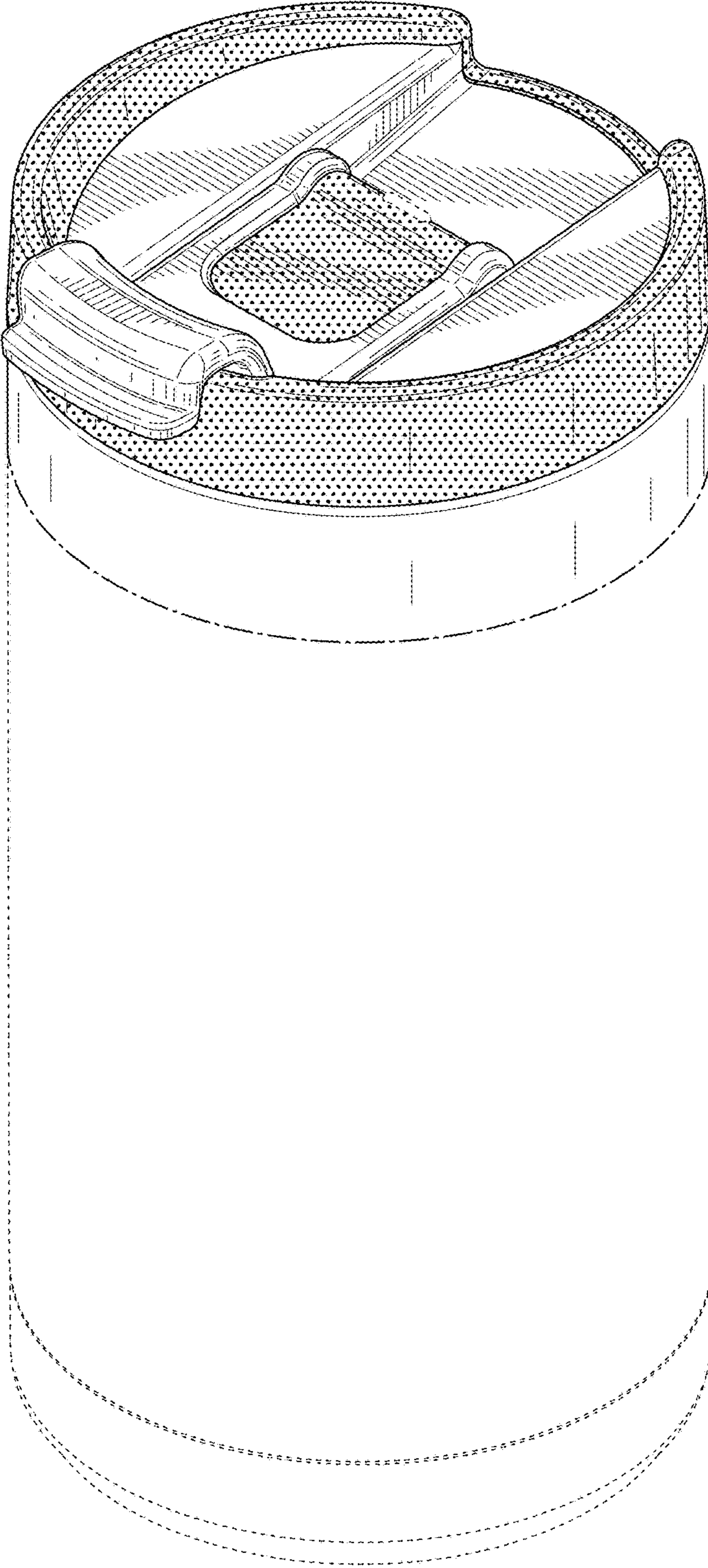


FIG. 1

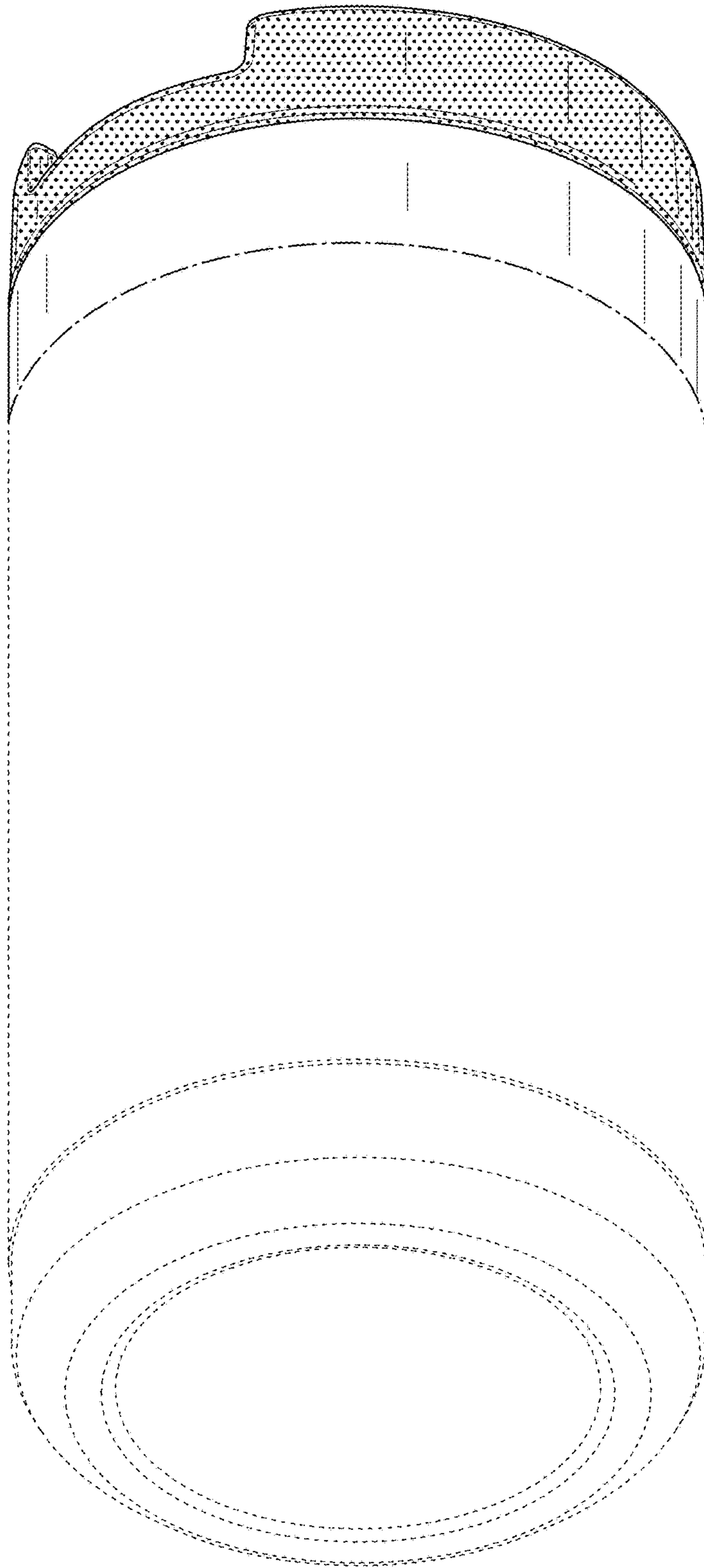


FIG. 2



FIG. 3



FIG. 4



FIG. 5

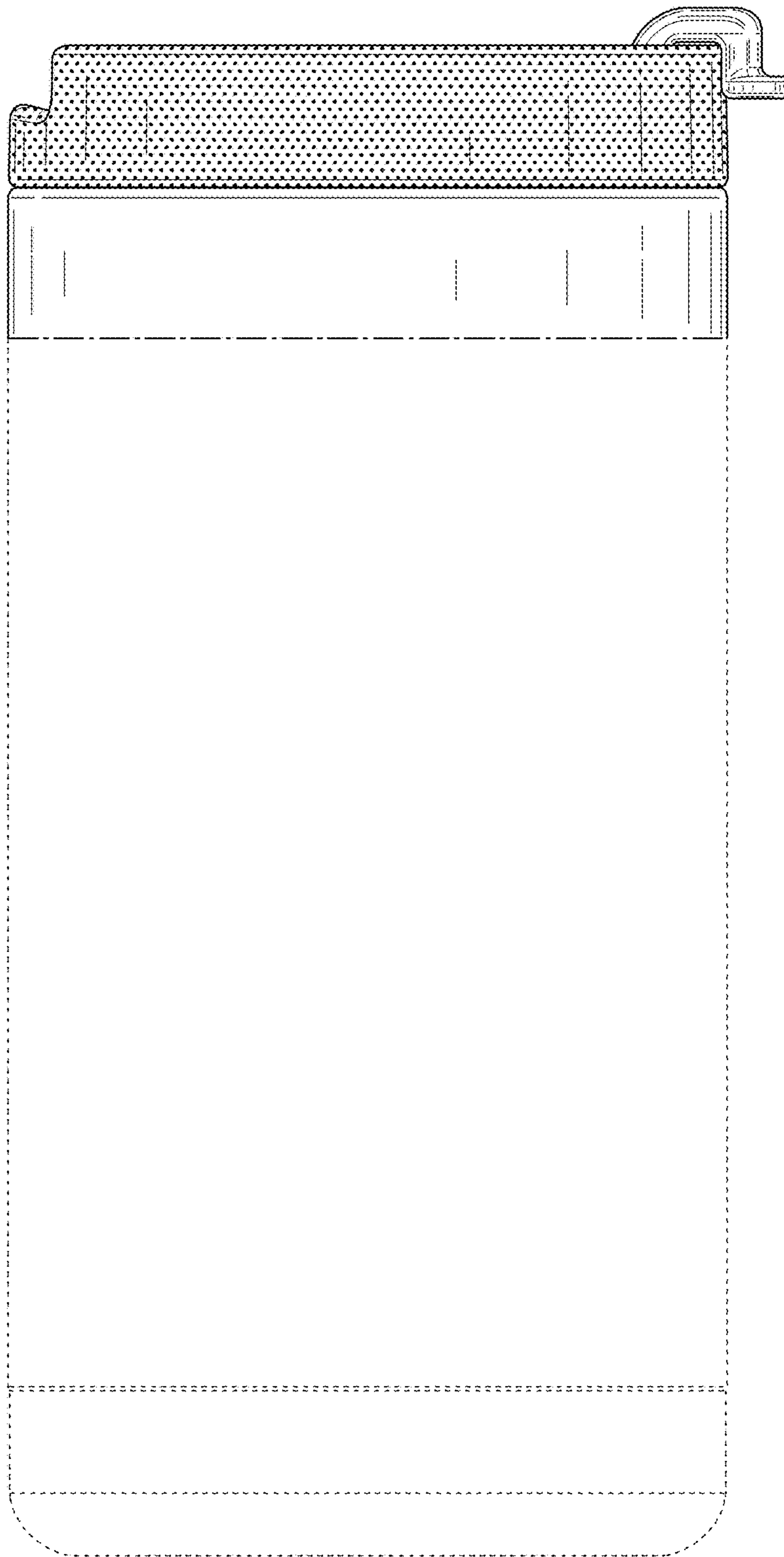


FIG. 6

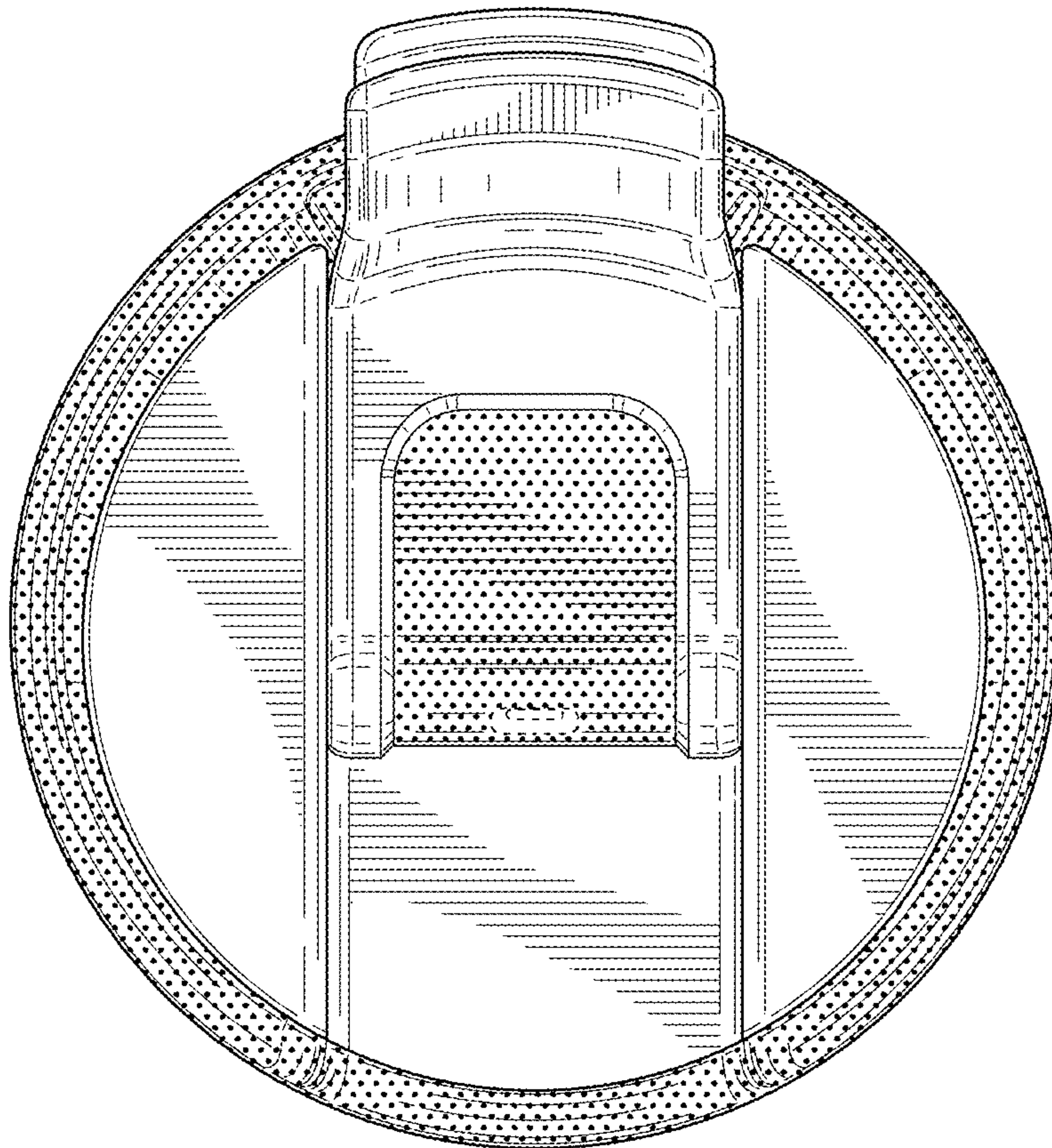


FIG. 7

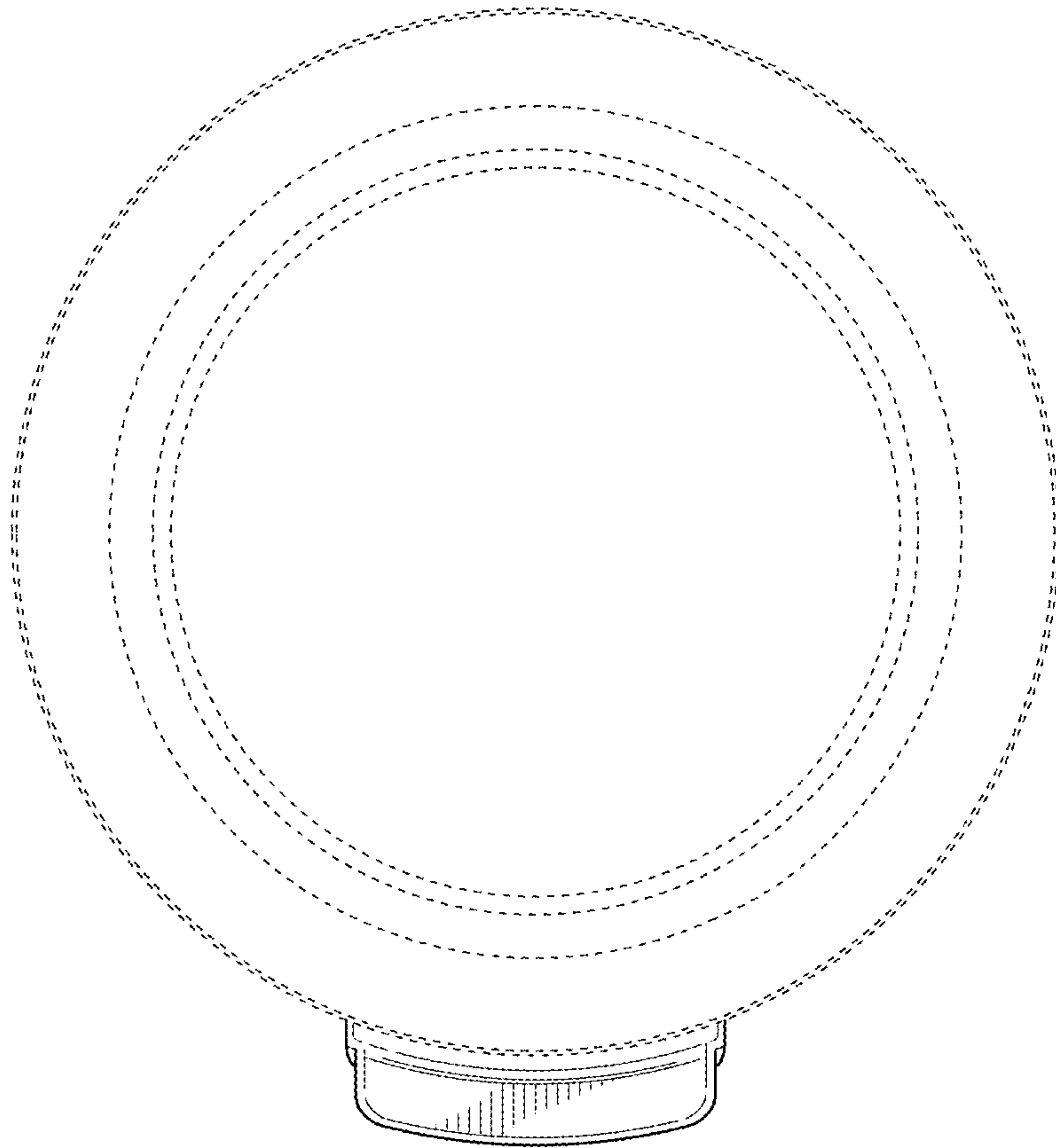


FIG. 8

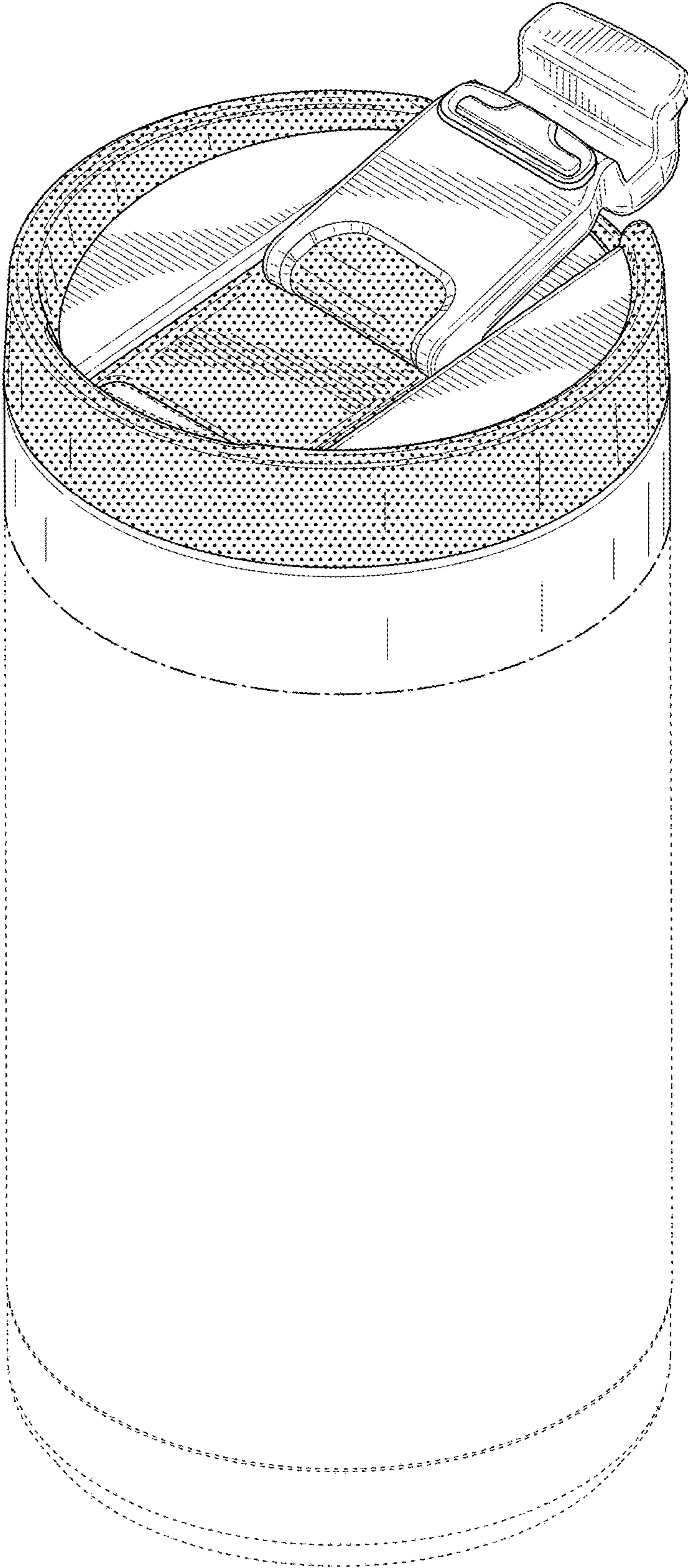


FIG. 9

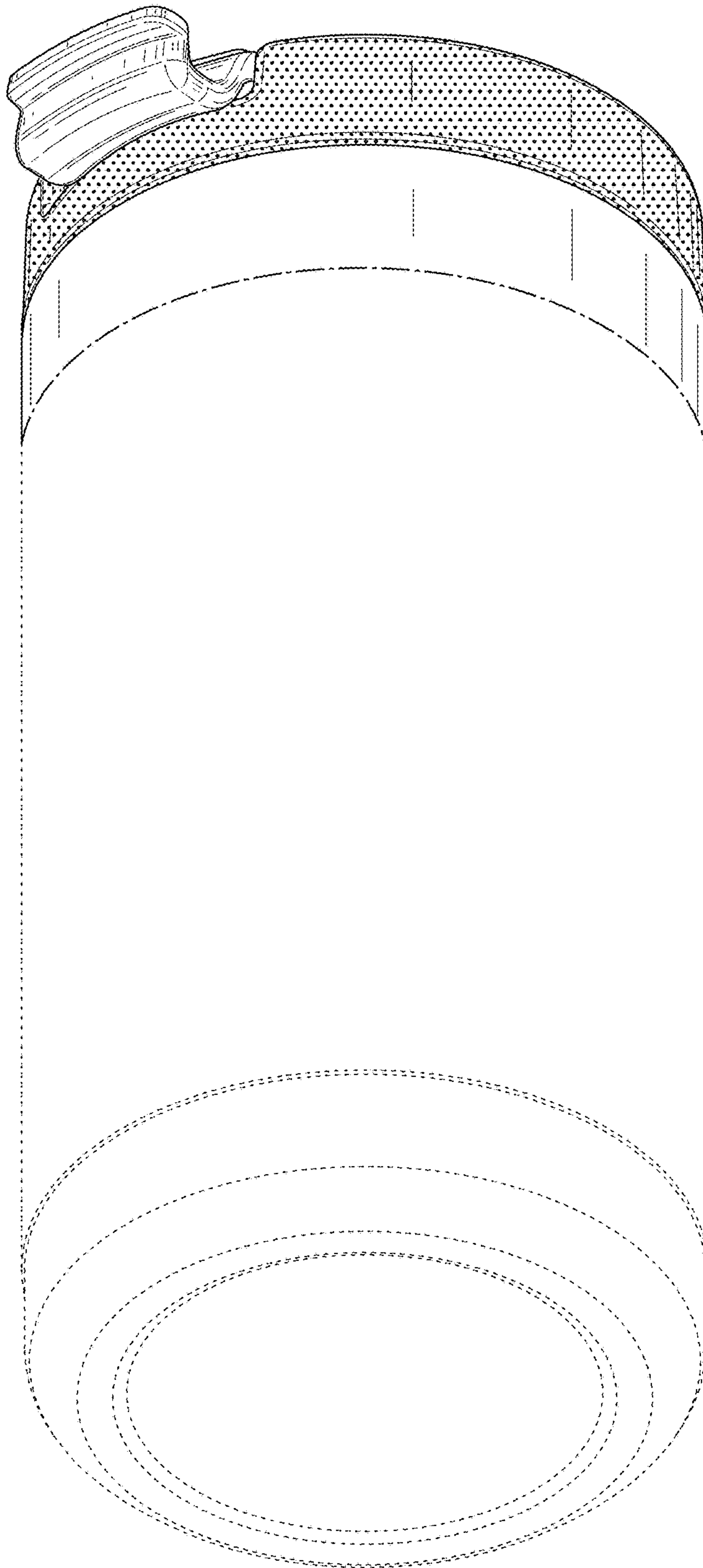


FIG. 10



FIG. 11



FIG. 12



FIG. 13



FIG. 14

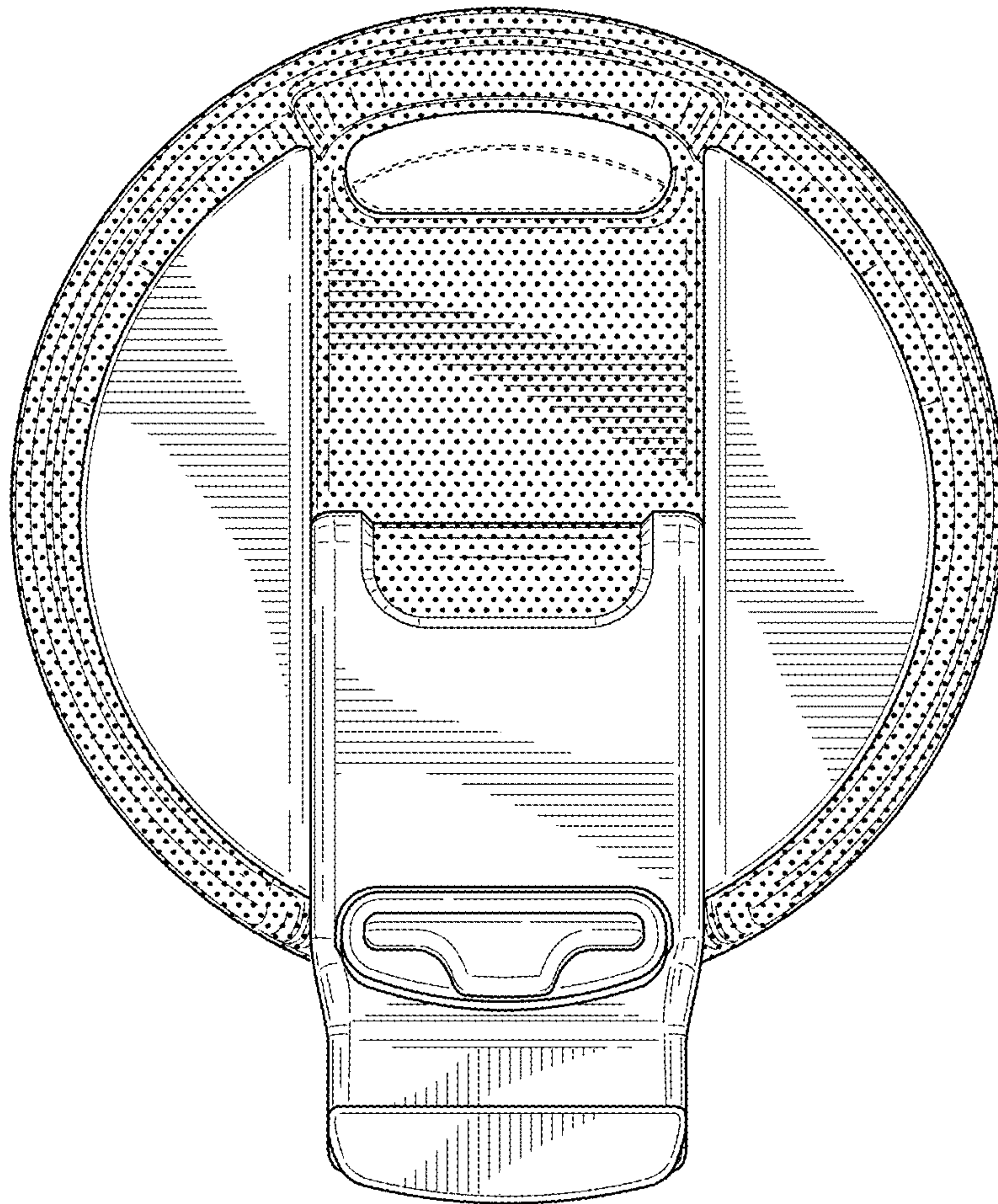


FIG. 15

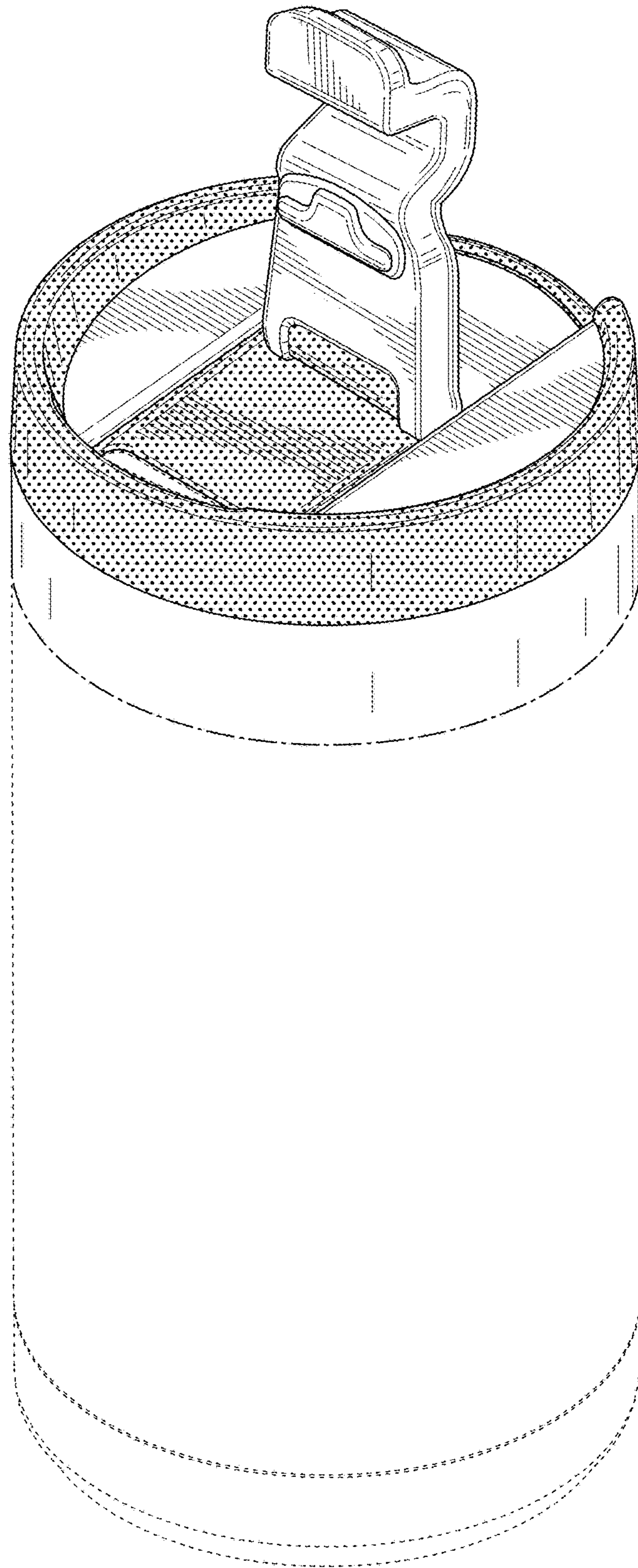


FIG. 16