

US00D836972S

(12) **United States Design Patent** (10) **Patent No.:** **US D836,972 S**
Baron et al. (45) **Date of Patent:** **** Jan. 1, 2019**

(54) **PICKLE PIPE** 3,455,292 A 7/1969 Mudrinich
3,924,774 A 12/1975 Donnelly
(71) Applicant: **MASONTOPS, INC.**, Toronto (CA) 3,943,987 A 3/1976 Rossi
3,946,780 A * 3/1976 Sellers B65D 51/1616
383/102
(72) Inventors: **Philip D. Baron**, Toronto (CA); 4,099,512 A 7/1978 Noonan
Michael J. Bacher, Toronto (CA) D249,624 S 9/1978 Solomon
(73) Assignee: **Masontops, Inc.**, Toronto, Ontario (CA) (Continued)

(**) Term: **15 Years**

(21) Appl. No.: **29/605,080**
(22) Filed: **May 23, 2017**

Related U.S. Application Data

(63) Continuation of application No. 29/553,022, filed on Jan. 28, 2016, now Pat. No. Des. 787,263.

(51) **LOC (11) Cl.** **07-01**

(52) **U.S. Cl.**
USPC **D7/391; D7/392; D9/454; D9/443**

(58) **Field of Classification Search**

USPC D7/397, 398, 399, 391, 392, 392.1;
D9/439, 440, 443, 454; D30/121;
215/11.1; D24/194, 196; 220/367.1;
99/467, 349; 206/403, 408
CPC A47G 36/06; B65D 85/672; B65D 5/746;
B65D 81/2015; A47J 37/10; B44D 3/12;
A61J 9/085; C12C 13/10
See application file for complete search history.

(56) **References Cited**

U.S. PATENT DOCUMENTS

D5,371 S 11/1871 Jepson
2,335,766 A 11/1943 Kinloch
2,556,195 A * 6/1951 Kors B44D 3/12
217/86
2,694,641 A * 11/1954 Marshall C12C 5/00
206/219
2,828,886 A 4/1958 Thomas
3,252,404 A 5/1966 Cox

OTHER PUBLICATIONS

https://www.kickstarter.com/projects/1_9451_02584/pickle-pipe-waterless-fermentation-airlock-for-mas Oct. 8, 2015, 2 pages.
(Continued)

Primary Examiner — Marianne Pandozzi
(74) *Attorney, Agent, or Firm* — McAndrews, Held & Malloy, Ltd.

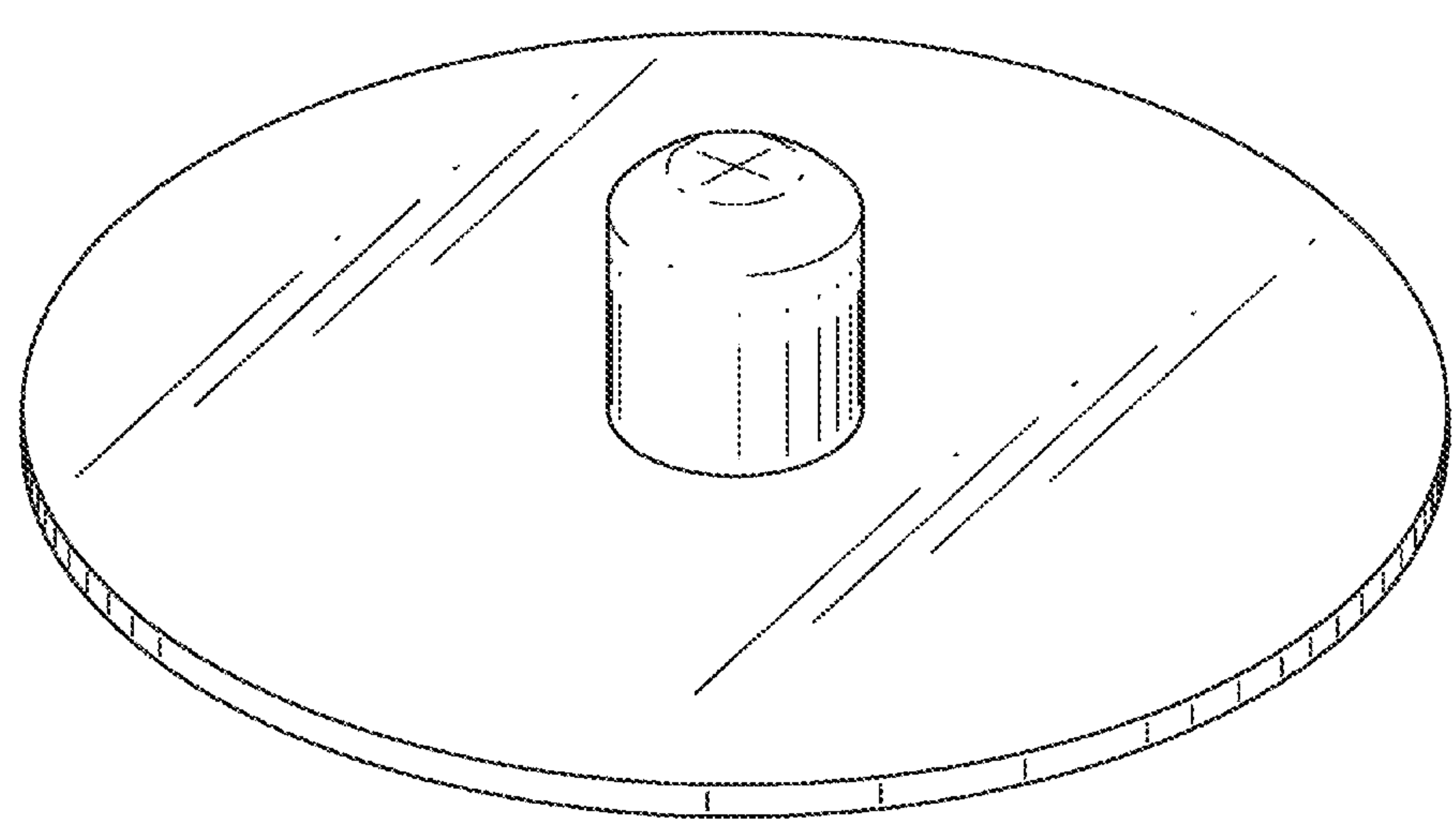
(57) **CLAIM**

We claim an ornamental design for a pickle pipe, as shown and described.

DESCRIPTION

FIG. 1 is an environmental top perspective view of a pickle pipe showing our new design;
FIG. 2 is a top perspective view thereof;
FIG. 3 is a bottom perspective view thereof;
FIG. 4 is a side view thereof;
FIG. 5 is another side view thereof;
FIG. 6 is a top plan view thereof; and,
FIG. 7 is a bottom plan view thereof.
The dashed broken broken lines in FIG. 1 depict environment subject matter that forms no part of the claimed design.
The dashed broken lines in FIGS. 3 and 7 depict portions of the pickle pipe that form no part of the claimed design.

1 Claim, 5 Drawing Sheets



(56)

References Cited

U.S. PATENT DOCUMENTS

4,218,964 A * 8/1980 Beadle C12C 13/10
99/275

4,434,810 A 3/1984 Atkinson

4,537,017 A 8/1985 Hengstenberg et al.

4,688,571 A 8/1987 Tesler

4,844,929 A 7/1989 Kingsley

4,874,108 A 10/1989 Valasek

D304,663 S 11/1989 Tunila

5,004,118 A 4/1991 England et al.

5,108,423 A 4/1992 Lu

D326,917 S 6/1992 Roberts et al.

5,212,090 A * 5/1993 Landine B09B 1/004
220/216

5,213,230 A 5/1993 Kral

D341,320 S 11/1993 Morin

5,339,981 A 8/1994 Kral

D384,236 S 9/1997 Douer

D392,046 S 3/1998 Niedoospital, Jr.

5,769,285 A 6/1998 Upham et al.

D399,745 S 10/1998 Mascitelli

D415,652 S 10/1999 Loew et al.

6,050,451 A 4/2000 Hess, III et al.

D432,857 S 10/2000 Ming-Shiue

D455,963 S 4/2002 Schmitt

6,769,291 B1 8/2004 Julian et al.

D596,487 S 7/2009 Batton et al.

D617,057 S * 6/2010 Terwilleger D30/121

D622,090 S 8/2010 Bodum

8,117,990 B2 2/2012 Terwilleger

D659,464 S 5/2012 Albers et al.

D682,612 S 5/2013 Rzepecki

D686,878 S 7/2013 Grasselli et al.

D717,103 S 11/2014 Wilbur

8,985,361 B2 3/2015 Wilson

D732,959 S 6/2015 Branstad

D745,799 S 12/2015 Lipson

9,215,955 B1 12/2015 Zlotnick

2009/0028999 A1 * 1/2009 Melisch C12C 11/003
426/8

2012/0305514 A1 12/2012 Harris

2014/0116271 A1 5/2014 Diggs et al.

2015/0128809 A1 * 5/2015 Hansmann C12C 13/10
99/276

OTHER PUBLICATIONS

https://www.youtube.com/watch?v=Jfn8JRmR_-o Oct. 11, 2015, 2 pages.

Rori Kotch, "24 Handy Ways to Use Mason Jar in Your Kitchen", <http://www.countryliving.com/diy-crafts/g2493/kitchen-mason-jar-ideas/>, Pub: Aug. 6, 2015, Retrieved Feb. 6, 2016, 4 pages.

Agnes Hsu, "Make a Mason Jar Aquarium", <http://www.hellowonderful.co/post/MAKE-A-MASON-JAR-AQUARIUM>, Pub: Mar. 20, 2014, Retrieved Feb. 6, 2016, 6 pages.

* cited by examiner

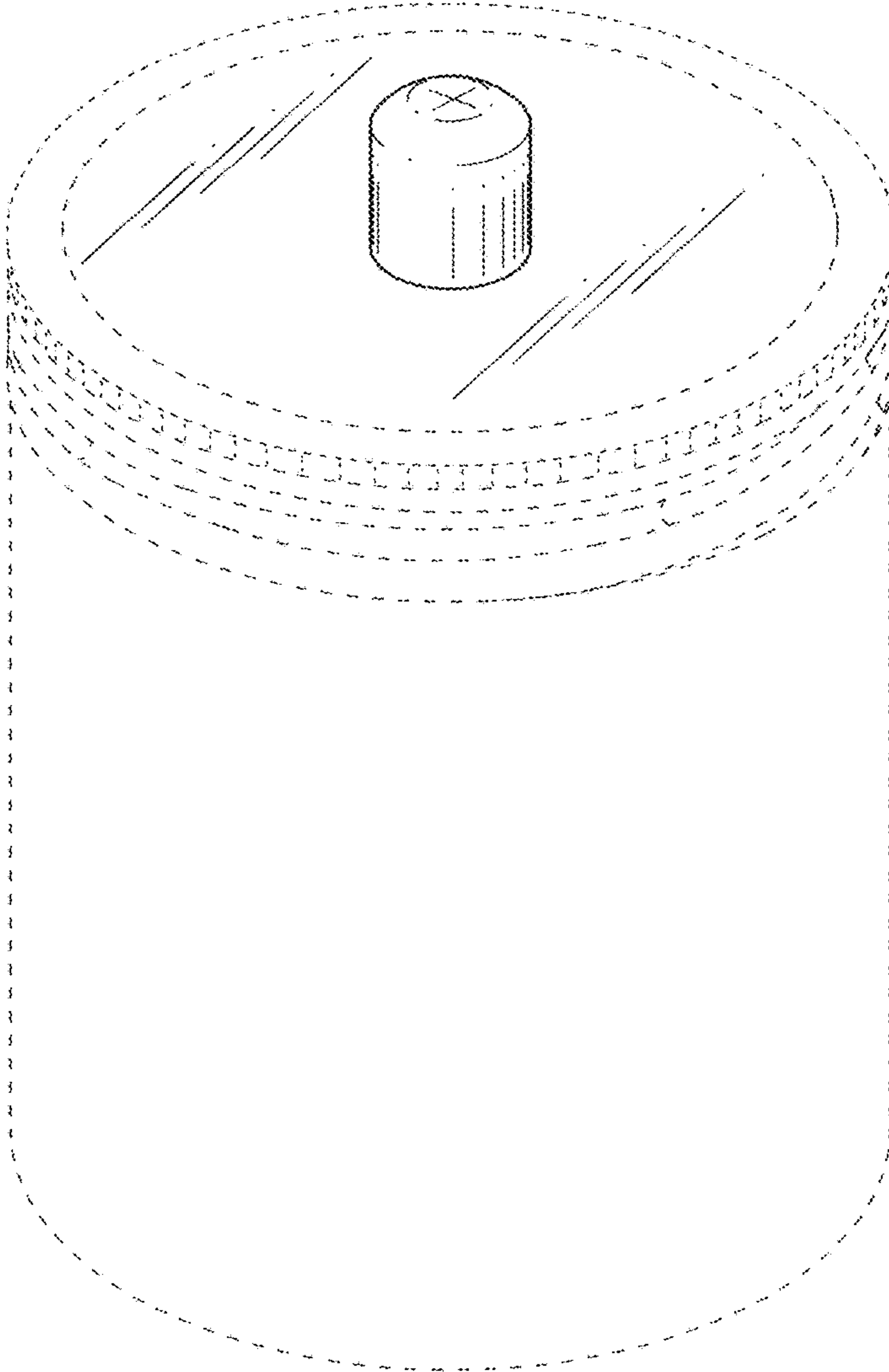


FIG. 1

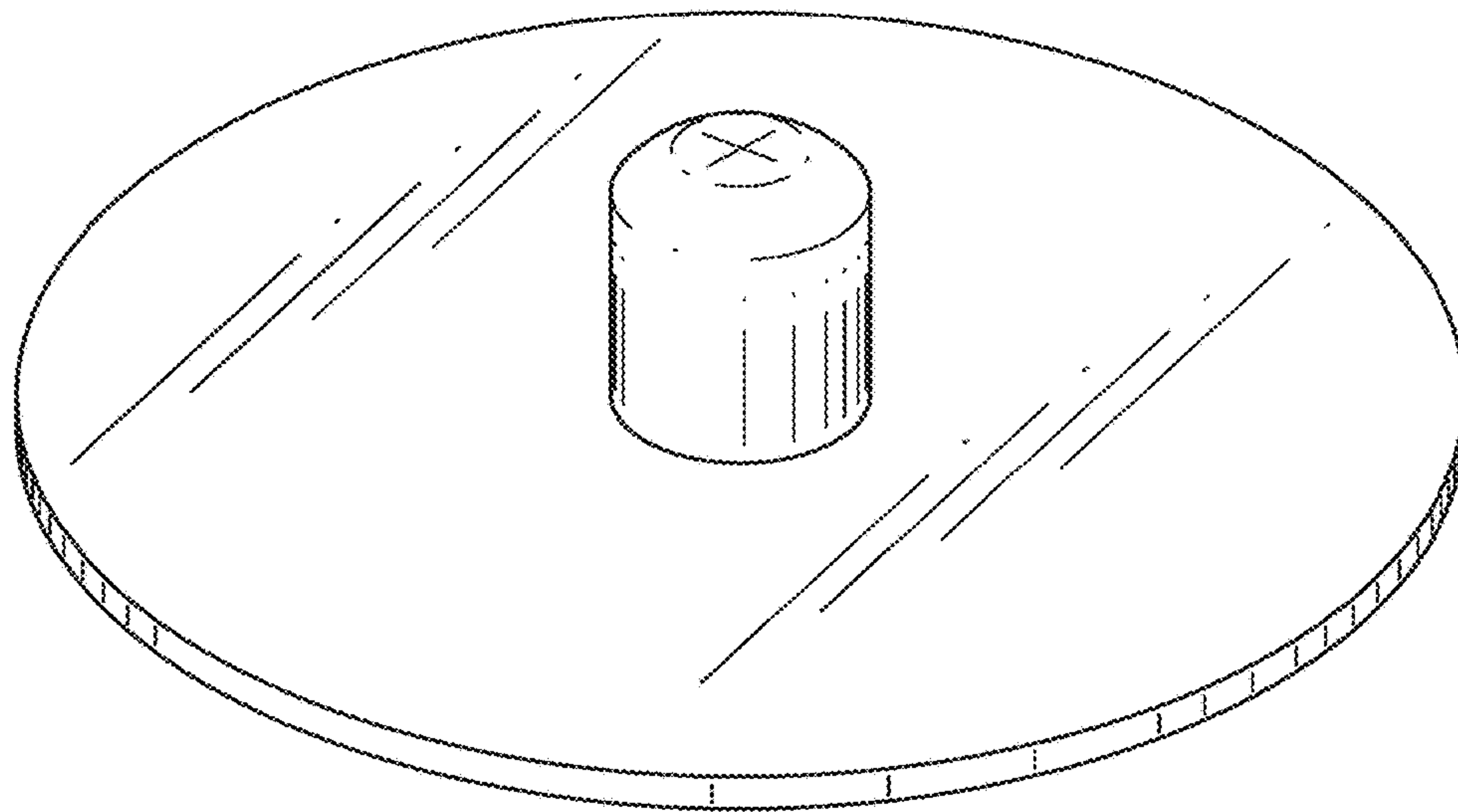


FIG. 2

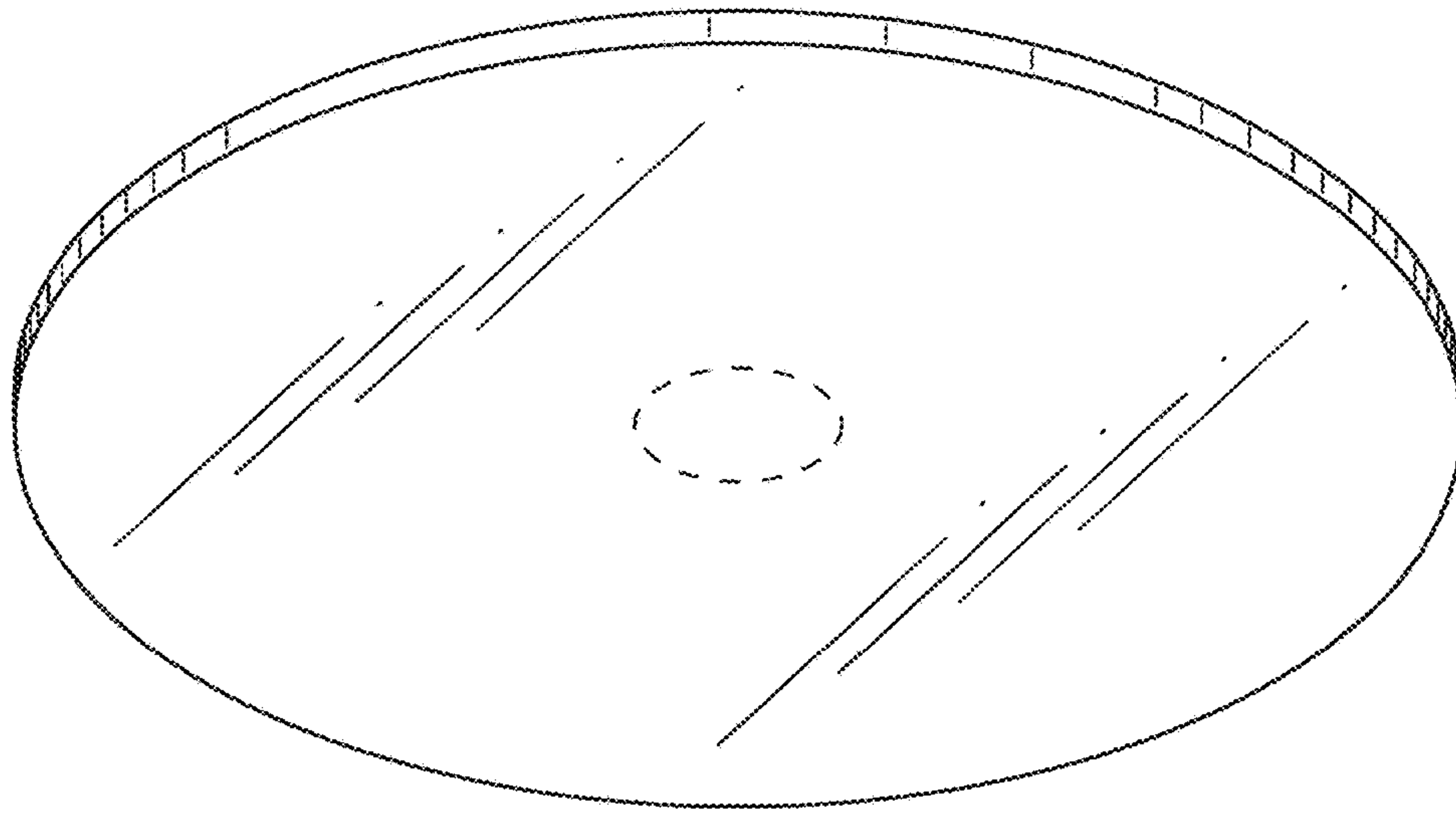


FIG. 3

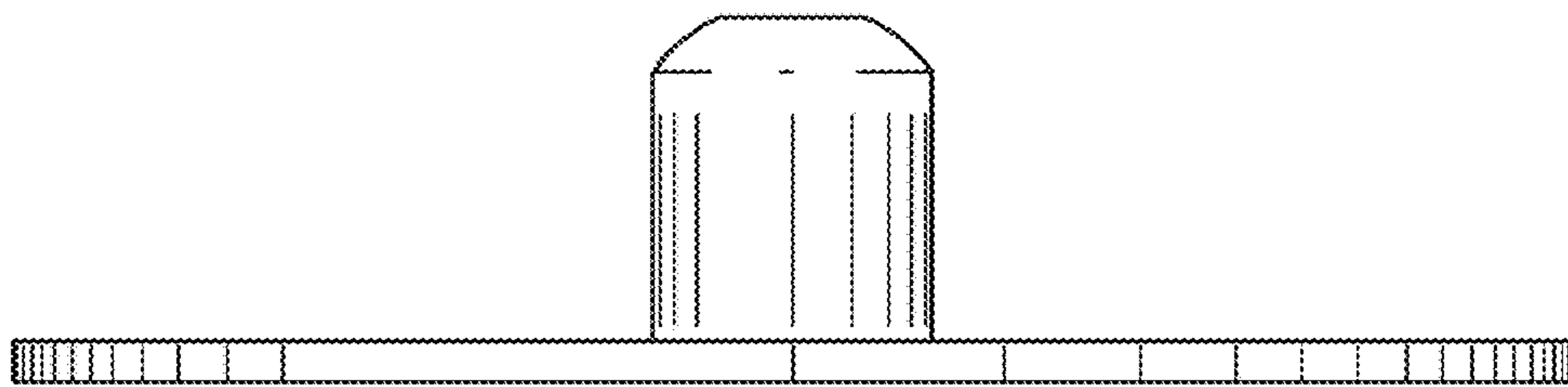


FIG. 4

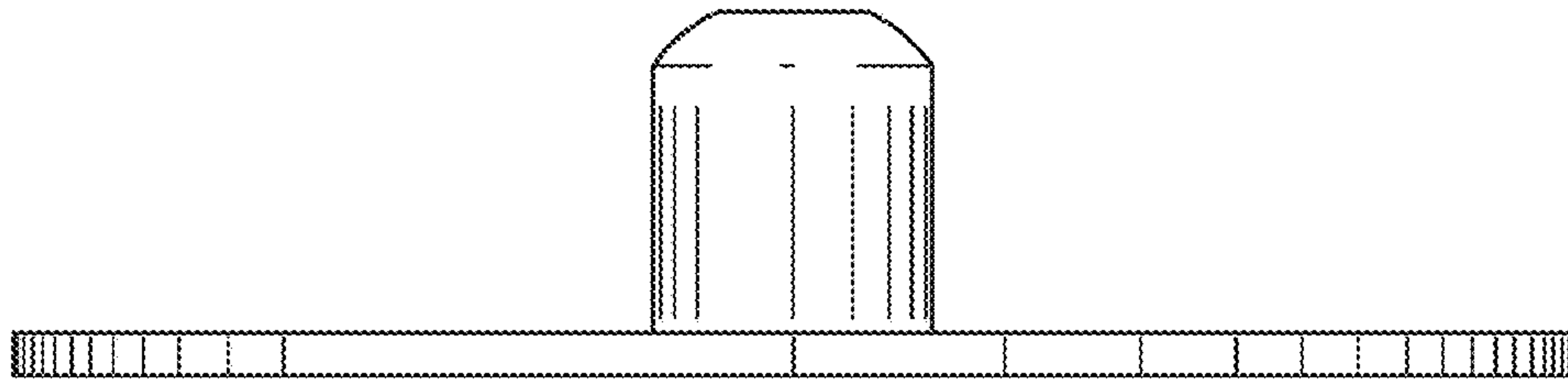


FIG. 5

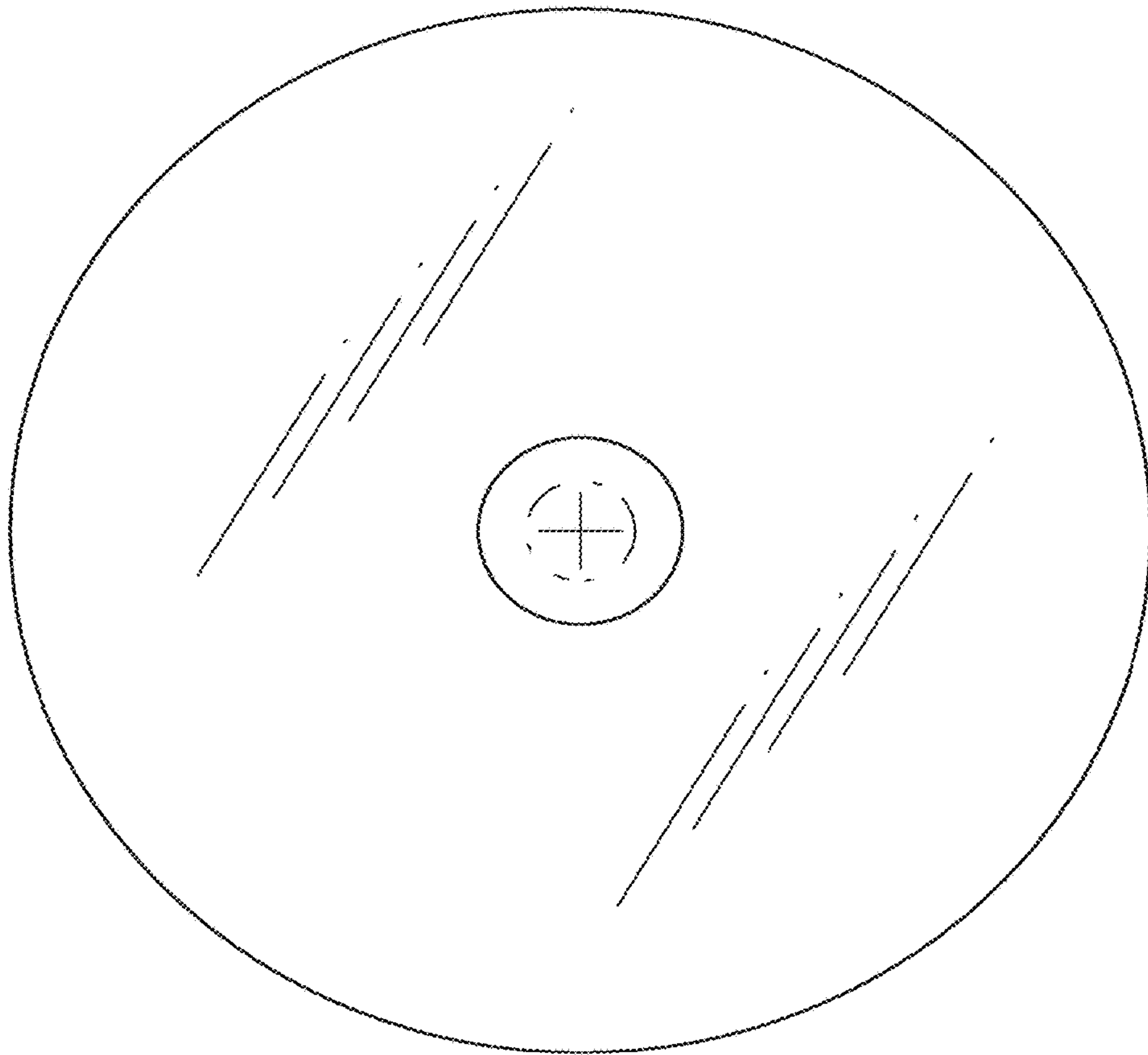


FIG. 6

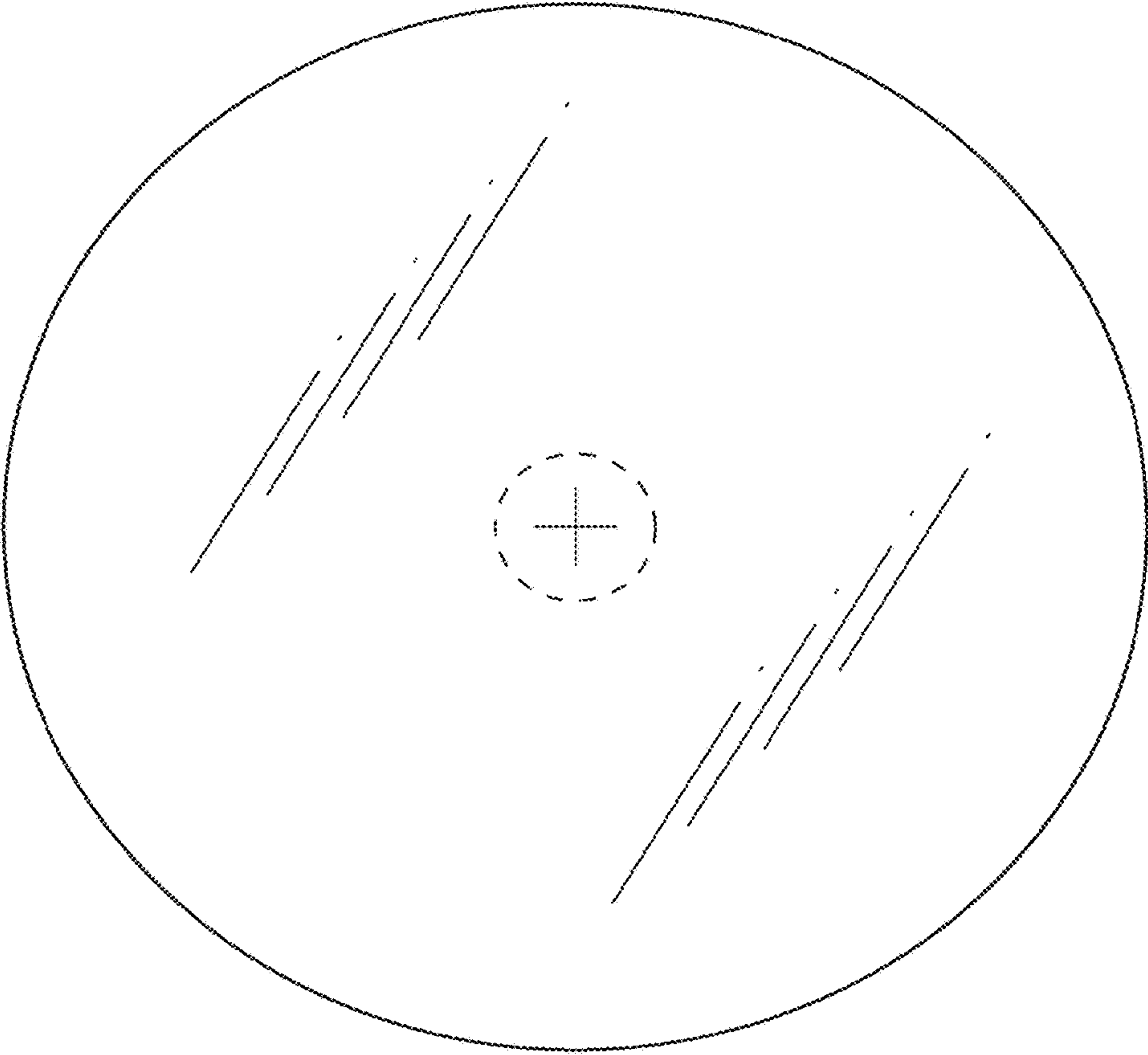


FIG. 7