



US00D836971S

(12) **United States Design Patent**
Hill

(10) **Patent No.:** **US D836,971 S**

(45) **Date of Patent:** **** *Jan. 1, 2019**

(54) **TEA PIECE**

(71) Applicant: **CONTRA VISION LTD.**, Bramhall
(GB)

(72) Inventor: **George Roland Hill**, Bramhall (GB)

(73) Assignee: **CONTRA VISION LTD.**, Bramhall,
Stockport, Cheshire (GB)

(*) Notice: This patent is subject to a terminal dis-
claimer.

(**) Term: **15 Years**

(21) Appl. No.: **29/551,489**

(22) Filed: **Jan. 13, 2016**

Related U.S. Application Data

(63) Continuation of application No. 29/550,850, filed on
Jan. 7, 2016, which is a continuation-in-part of
application No. PCT/IB2015/055147, filed on Jul. 7,
2015.

(51) **LOC (11) Cl.** **07-02**

(52) **U.S. Cl.**
USPC **D7/391**

(58) **Field of Classification Search**

USPC D7/323, 354-363, 391, 393-396, 409,
D7/505, 507, 510 A47G 19/12; A47J
27/00; A47J 27/002; A47J 27/08; A47J
27/21; A47J 27/58; A47J 36/025; A47J
36/06; A47J 36/12; A47J 37/00; A47J
37/10; A47J 37/101; A47J 37/103; A47J
37/12; A47J 37/1204; A47J 45/061; A47J
45/071; A47J 45/08; H05B 6/12

See application file for complete search history.

(56) **References Cited**

U.S. PATENT DOCUMENTS

3,288,344 A 11/1966 Woollen et al.
3,362,590 A 1/1968 Martin
D608,147 S * 2/2010 Sykes D7/507
D652,254 S * 1/2012 Dancsecs D7/510

D664,001 S * 7/2012 Liu D7/510
D723,871 S * 3/2015 Khubani et al. D7/505
D763,621 S * 8/2016 Szymanski D7/507
D807,702 S * 1/2018 Szymanski D7/510
2010/0270284 A1 10/2010 Cohen et al.

FOREIGN PATENT DOCUMENTS

FR 2527917 12/1983
GB 2121673 1/1984
GB 2261594 5/1993
GB 2504348 1/2014
JP 8-100972 4/1996
JP 3038293 6/1997
JP 2003-339545 A 12/2003

OTHER PUBLICATIONS

International Search Report issued in corresponding International
Patent Application No. PCT/IB2015/055147 issued on Feb. 10,
2016 (7 pages).

International Preliminary Report on Patentability issued in corre-
sponding International Patent Application No. PCT/IB2015/055147
dated Nov. 2, 2016 (34 pages).

Written Opinion of the International Preliminary Examining Author-
ity issued in corresponding International Patent Application No.
PCT/IB2015/055147 issued on May 31, 2016 (6 pages).

Non-final Office Action U.S. Appl. No. 15/324,484 dated May 23,
2018.

* cited by examiner

Primary Examiner — Ricky Pham

(74) *Attorney, Agent, or Firm* — Pillsbury Winthrop Shaw
Pittman LLP

(57) **CLAIM**

The ornamental design for a tea piece, as shown and
described.

DESCRIPTION

FIG. 1 is a top perspective view of a first embodiment of the
tea piece;

FIG. 2 is a bottom perspective view thereof;

FIG. 3 is a top view thereof;

FIG. 4 is a bottom view thereof;

FIG. 5 is rear view thereof;

(Continued)

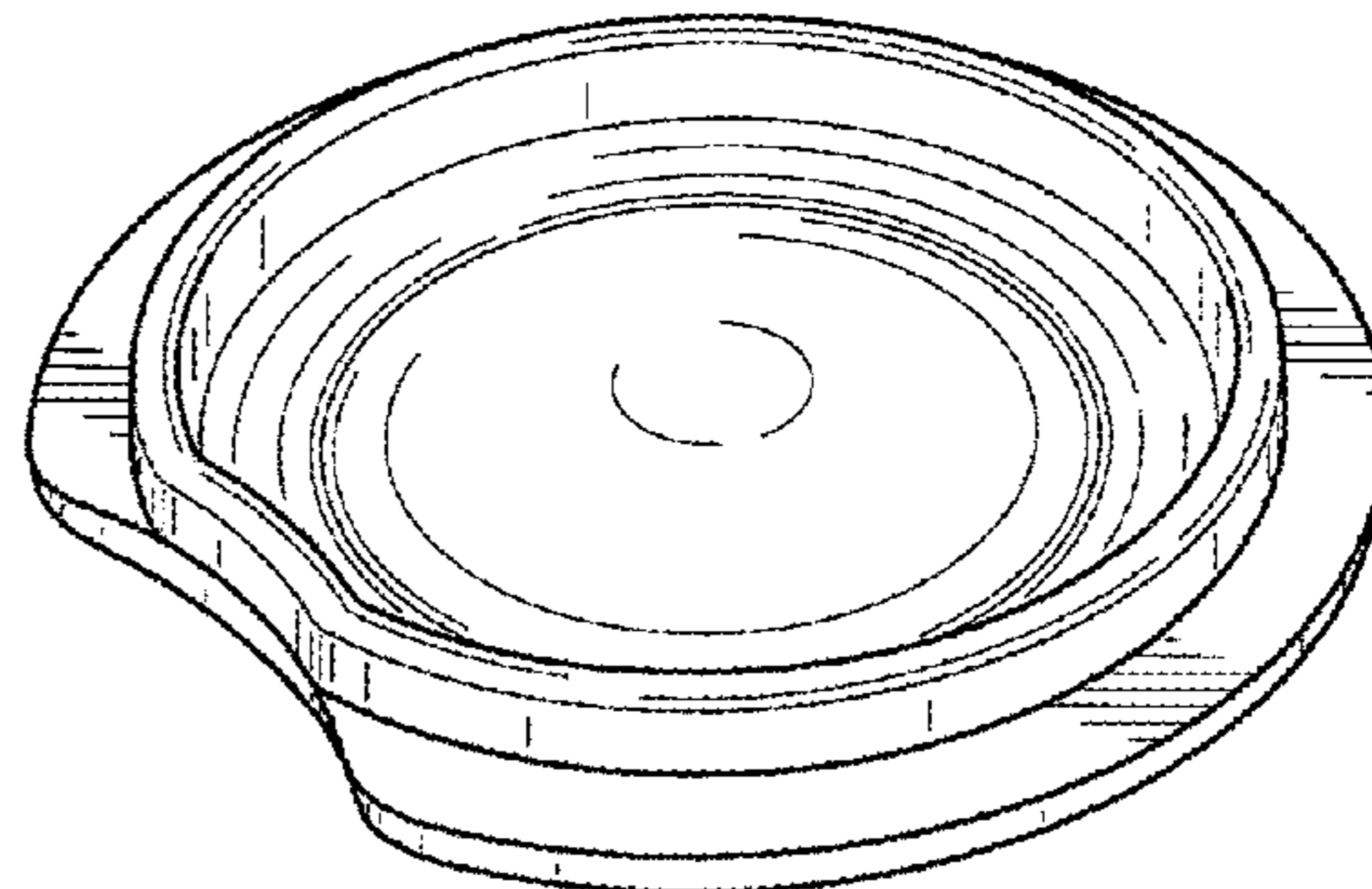
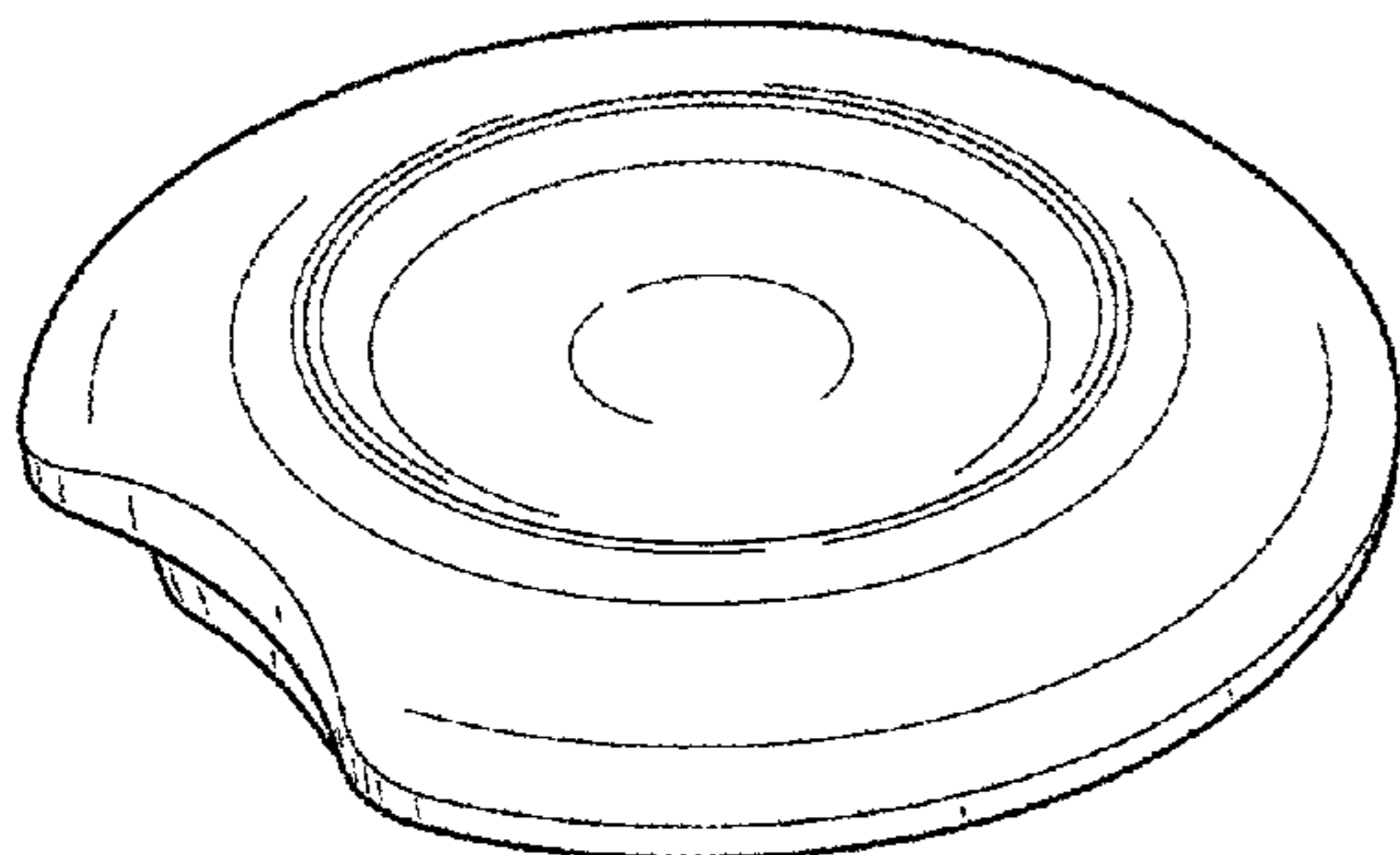


FIG. 6 is a front view thereof;
FIG. 7 is a left side view thereof, a right side view thereof being a mirror image;
FIG. 8 is a sectional left side view thereof, taken through a plane of FIG. 3 that bisects the right and left halves of the tea piece, a sectional right side view thereof being a mirror image;
FIG. 9 is a sectional front view thereof, taken through a plane of FIG. 3 that bisects the front and back halves of the tea piece;
FIG. 10 is a top perspective view of a second embodiment of the tea piece;
FIG. 11 is a bottom perspective view thereof;
FIG. 12 is a top view thereof;
FIG. 13 is a bottom view thereof;
FIG. 14 is rear view thereof;
FIG. 15 is a front view thereof;
FIG. 16 is a left side view thereof, a right side view thereof being a mirror image;
FIG. 17 is a sectional left side view thereof, taken through a plane of FIG. 12 that bisects the right and left halves of the tea piece, a sectional right side view thereof being a mirror image;
FIG. 18 is a sectional front view thereof, taken through a plane of FIG. 12 that bisects the front and back halves of the tea piece;
FIG. 19 is a top perspective view of a third embodiment of the tea piece;
FIG. 20 is a bottom perspective view thereof;
FIG. 21 is a top view thereof;
FIG. 22 is a bottom view thereof;
FIG. 23 is rear view thereof;
FIG. 24 is a front view thereof;
FIG. 25 is a left side view thereof, a right side view thereof being a mirror image;
FIG. 26 is a sectional left side view thereof, taken through a plane of FIG. 21 that bisects the right and left halves of the tea piece, a sectional right side view thereof being a mirror image;
FIG. 27 is a sectional front view thereof, taken through a plane of FIG. 21 that bisects the front and back halves of the tea piece;
FIG. 28 is a top perspective view of a fourth embodiment of the tea piece;
FIG. 29 is a bottom perspective view thereof;
FIG. 30 is a top view thereof;
FIG. 31 is a bottom view thereof;
FIG. 32 is rear view thereof;
FIG. 33 is a front view thereof;
FIG. 34 is a left side view thereof, a right side view thereof being a mirror image;
FIG. 35 is a sectional left side view thereof, taken through a plane of FIG. 30 that bisects the right and left halves of the tea piece, a sectional right side view thereof being a mirror image;
FIG. 36 is a sectional front view thereof, taken through a plane of FIG. 30 that bisects the front and back halves of the tea piece;
FIG. 37 is a top perspective view of a fifth embodiment of the tea piece;
FIG. 38 is a bottom perspective view thereof;
FIG. 39 is a top view thereof;
FIG. 40 is a bottom view thereof;
FIG. 41 is rear view thereof;
FIG. 42 is a front view thereof;
FIG. 43 is a left side view thereof, a right side view thereof being a mirror image;
FIG. 44 is a sectional left side view thereof, taken through a plane of FIG. 39 that bisects the right and left halves of the tea piece, a sectional right side view thereof being a mirror image;
FIG. 45 is a sectional front view thereof, taken through a plane of FIG. 39 that bisects the front and back halves of the tea piece;
FIG. 46 is a top perspective view of a sixth embodiment of the tea piece;
FIG. 47 is a bottom perspective view thereof;
FIG. 48 is a top view thereof;
FIG. 49 is a bottom view thereof;
FIG. 50 is rear view thereof;
FIG. 51 is a front view thereof;
FIG. 52 is a left side view thereof, a right side view thereof being a mirror image;
FIG. 53 is a sectional left side view thereof, taken through a plane of FIG. 48 that bisects the right and left halves of the tea piece, a sectional right side view thereof being a mirror image;
FIG. 54 is a sectional front view thereof, taken through a plane of FIG. 48 that bisects the front and back halves of the tea piece;
FIG. 55 is a top perspective view of a seventh embodiment of the tea piece;
FIG. 56 is a bottom perspective view thereof;
FIG. 57 is a top view thereof;
FIG. 58 is a bottom view thereof;
FIG. 59 is rear view thereof;
FIG. 60 is a front view thereof;
FIG. 61 is a left side view thereof, a right side view thereof being a mirror image;
FIG. 62 is a sectional left side view thereof, taken through a plane of FIG. 57 that bisects the right and left halves of the tea piece, a sectional right side view thereof being a mirror image;
FIG. 63 is a sectional front view thereof, taken through a plane of FIG. 57 that bisects the front and back halves of the tea piece;
FIG. 64 is a top perspective view of an eighth embodiment of the tea piece;
FIG. 65 is a bottom perspective view thereof;
FIG. 66 is a top view thereof;
FIG. 67 is a bottom view thereof;
FIG. 68 is rear view thereof;
FIG. 69 is a front view thereof;
FIG. 70 is a left side view thereof, a right side view thereof being a mirror image;
FIG. 71 is a sectional left side view thereof, taken through a plane of FIG. 66 that bisects the right and left halves of the tea piece, a sectional right side view thereof being a mirror image;
FIG. 72 is a sectional front view thereof, taken through a plane of FIG. 66 that bisects the front and back halves of the tea piece;
FIG. 73 is a top perspective view of a ninth embodiment of the tea piece;
FIG. 74 is a bottom perspective view thereof;
FIG. 75 is a top view thereof;
FIG. 76 is a bottom view thereof;
FIG. 77 is rear view thereof;
FIG. 78 is a front view thereof;

FIG. 79 is a left side view thereof, a right side view thereof being a mirror image;

FIG. 80 is a sectional left side view thereof, taken through a plane of FIG. 75 that bisects the right and left halves of the tea piece, a sectional right side view thereof being a mirror image;

FIG. 81 is a sectional front view thereof, taken through a plane of FIG. 75 that bisects the front and back halves of the tea piece;

FIG. 82 is a top perspective view of a tenth embodiment of the tea piece;

FIG. 83 is a bottom perspective view thereof;

FIG. 84 is a top view thereof;

FIG. 85 is a bottom view thereof;

FIG. 86 is rear view thereof;

FIG. 87 is a front view thereof;

FIG. 88 is a left side view thereof, a right side view thereof being a mirror image;

FIG. 89 is a sectional left side view thereof, taken through a plane of FIG. 84 that bisects the right and left halves of the tea piece, a sectional right side view thereof being a mirror image;

FIG. 90 is a sectional front view thereof, taken through a plane of FIG. 84 that bisects the front and back halves of the tea piece;

FIG. 91 is a top perspective view of a eleventh embodiment of the tea piece;

FIG. 92 is a bottom perspective view thereof;

FIG. 93 is a top view thereof;

FIG. 94 is a bottom view thereof;

FIG. 95 is rear view thereof;

FIG. 96 is a front view thereof;

FIG. 97 is a left side view thereof, a right side view thereof being a mirror image;

FIG. 98 is a sectional left side view thereof, taken through a plane of FIG. 93 that bisects the right and left halves of the tea piece, a sectional right side view thereof being a mirror image;

FIG. 99 is a sectional front view thereof, taken through a plane of FIG. 93 that bisects the front and back halves of the tea piece;

FIG. 100 is a top perspective view of a twelfth embodiment of the tea piece;

FIG. 101 is a bottom perspective view thereof;

FIG. 102 is a top view thereof;

FIG. 103 is a bottom view thereof;

FIG. 104 is rear view thereof;

FIG. 105 is a front view thereof;

FIG. 106 is a left side view thereof, a right side view thereof being a mirror image;

FIG. 107 is a sectional left side view thereof, taken through a plane of FIG. 102 that bisects the right and left halves of the tea piece, a sectional right side view thereof being a mirror image; and,

FIG. 108 is a sectional front view thereof, taken through a plane of FIG. 102 that bisects the front and back halves of the tea piece.

Where included, three adjacent parallel broken lines on a surface are used to show transparency of the tea piece.

1 Claim, 36 Drawing Sheets

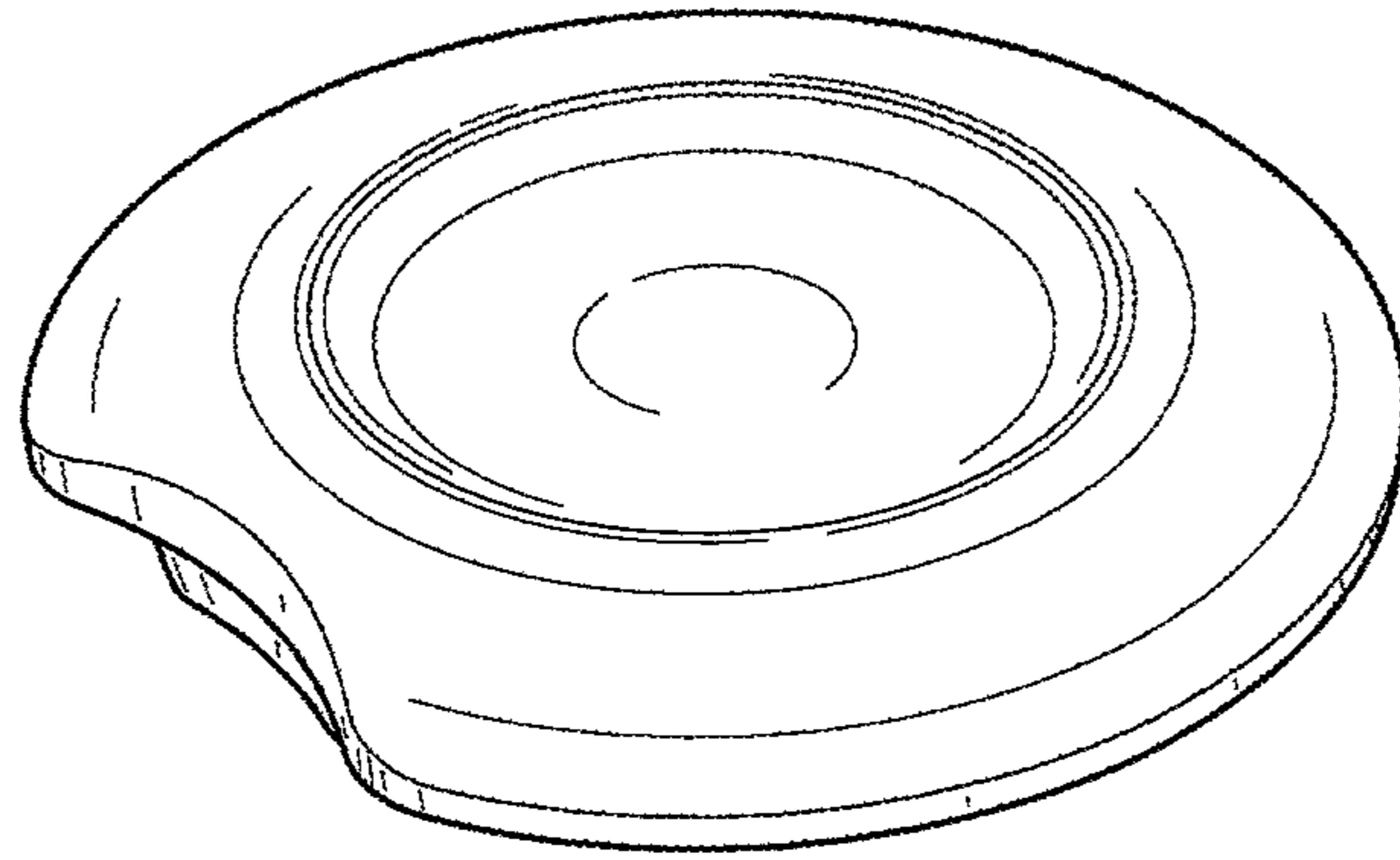


Fig. 1

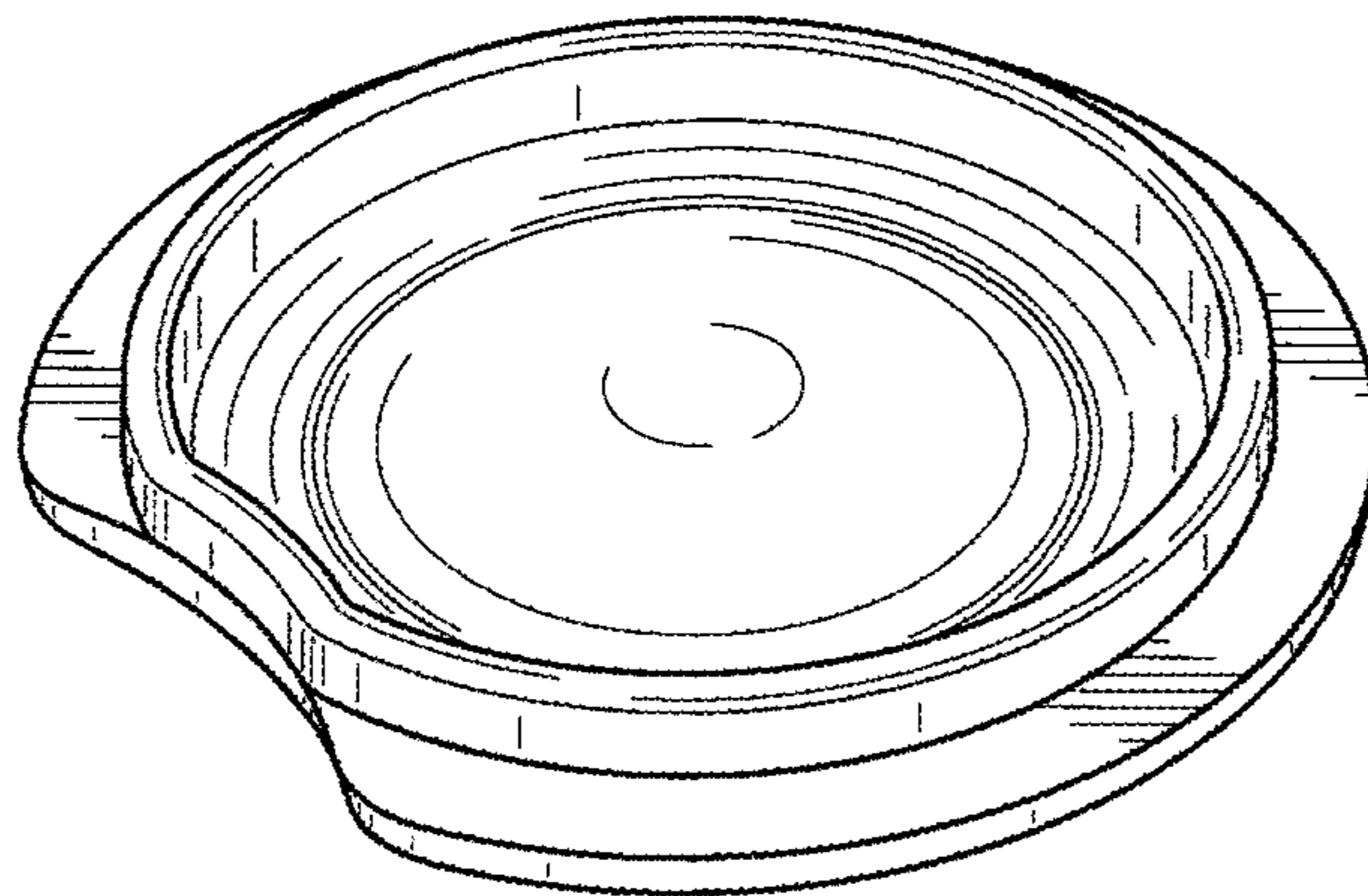


Fig. 2

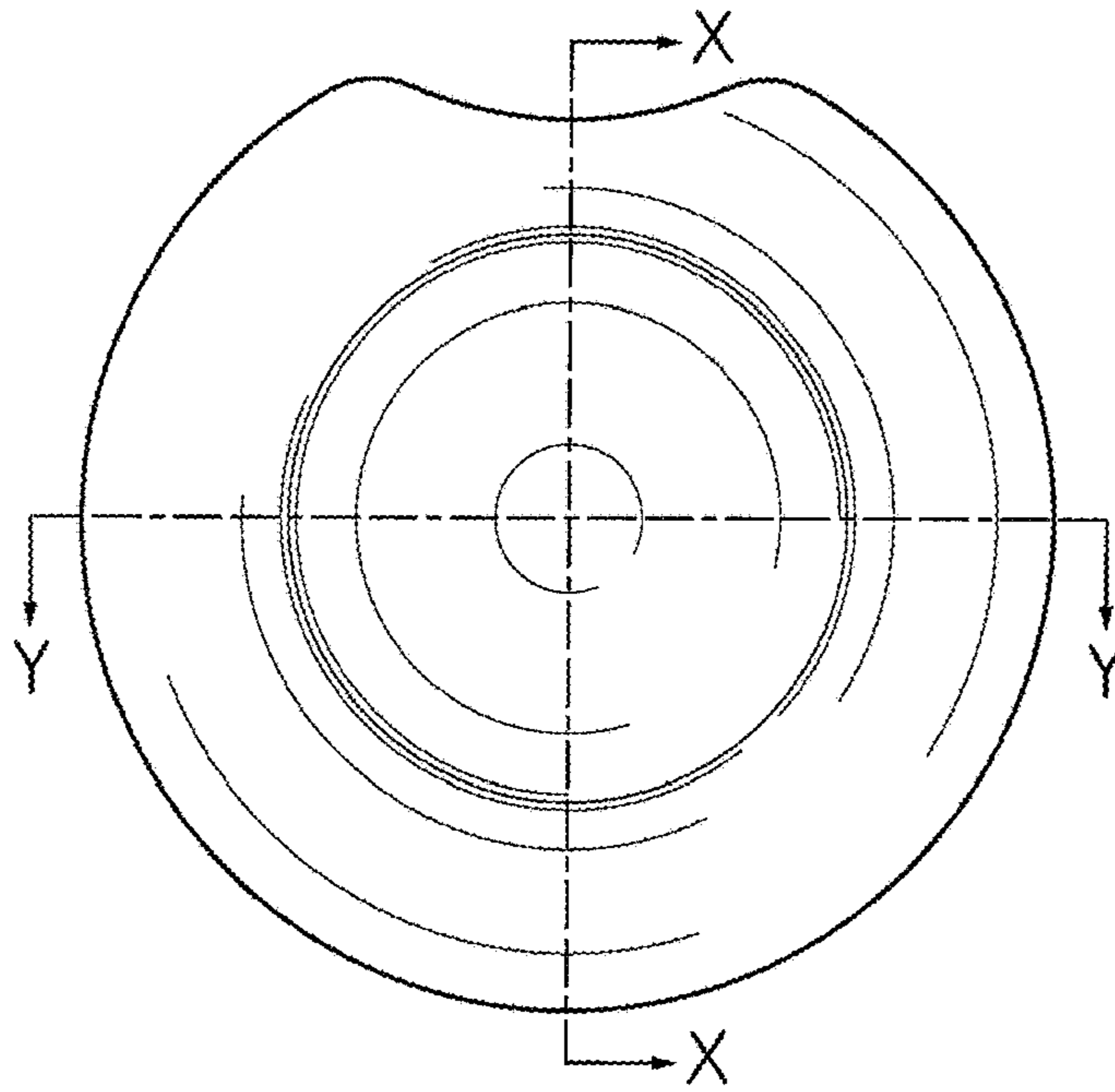


Fig. 3

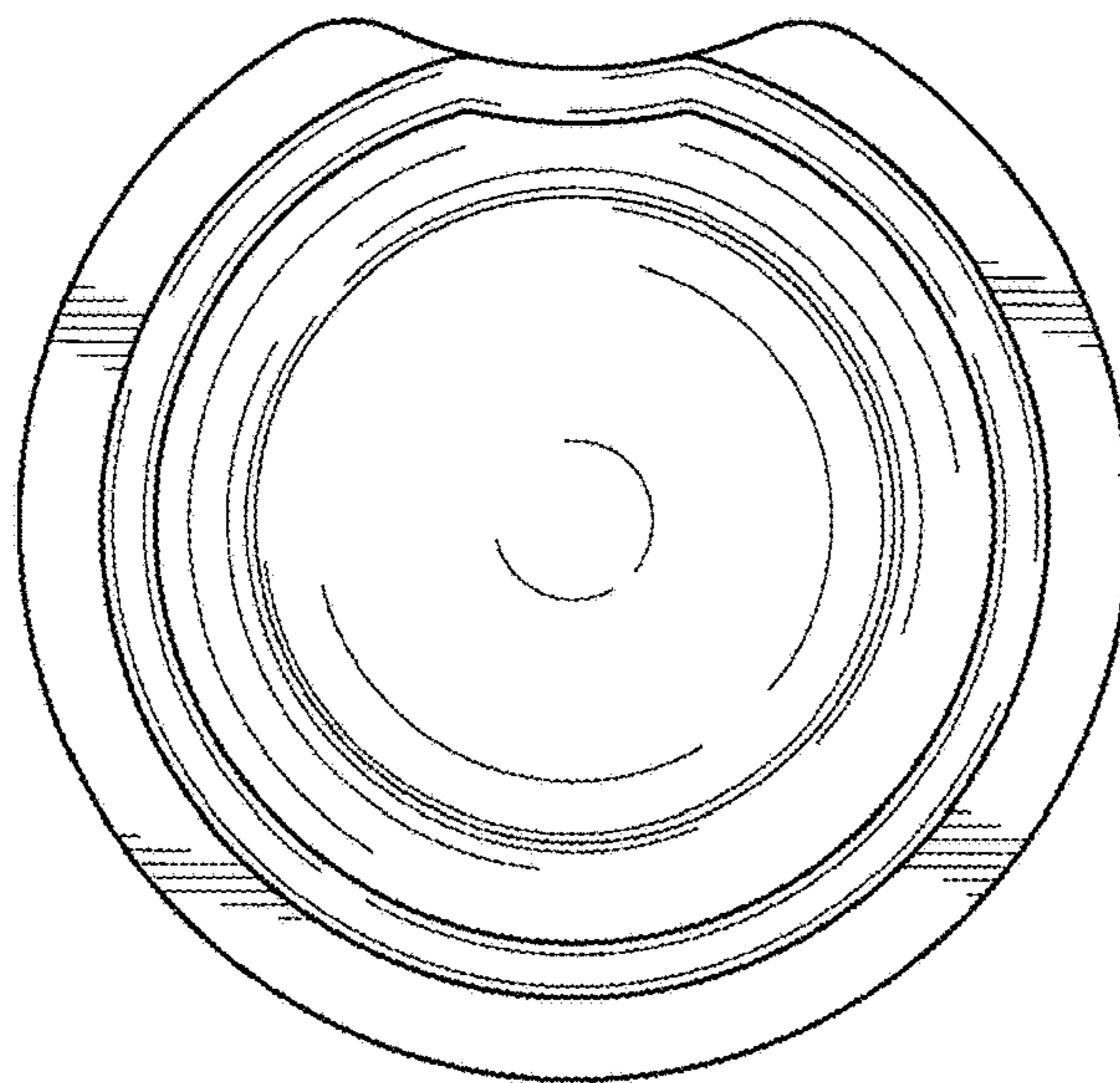


Fig. 4

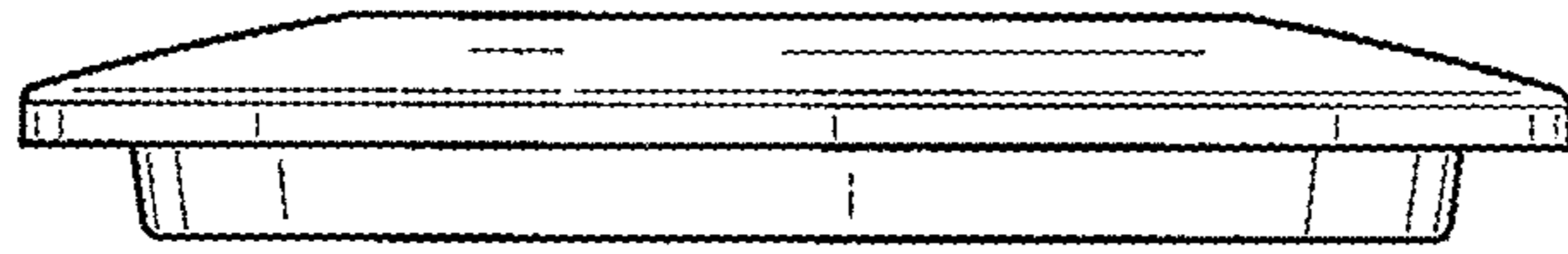


Fig. 5

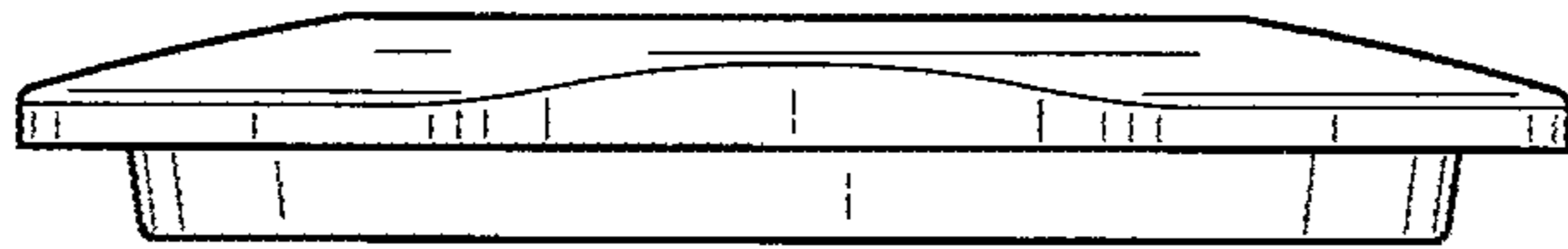


Fig. 6

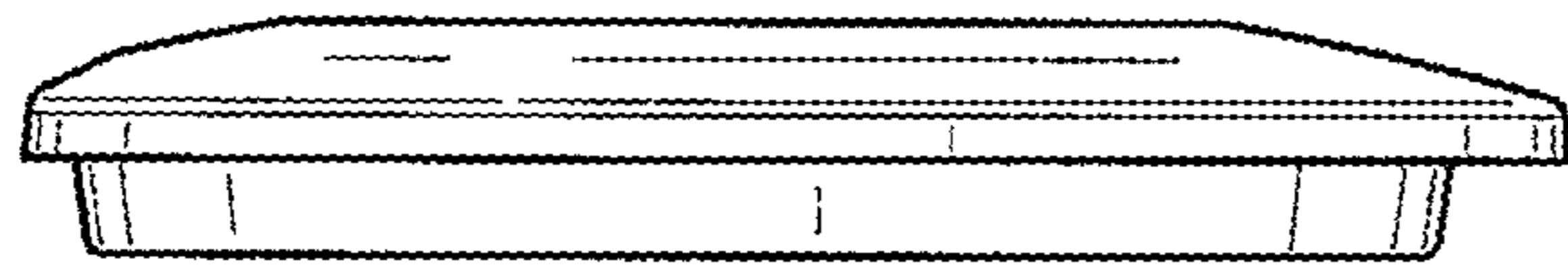


Fig. 7

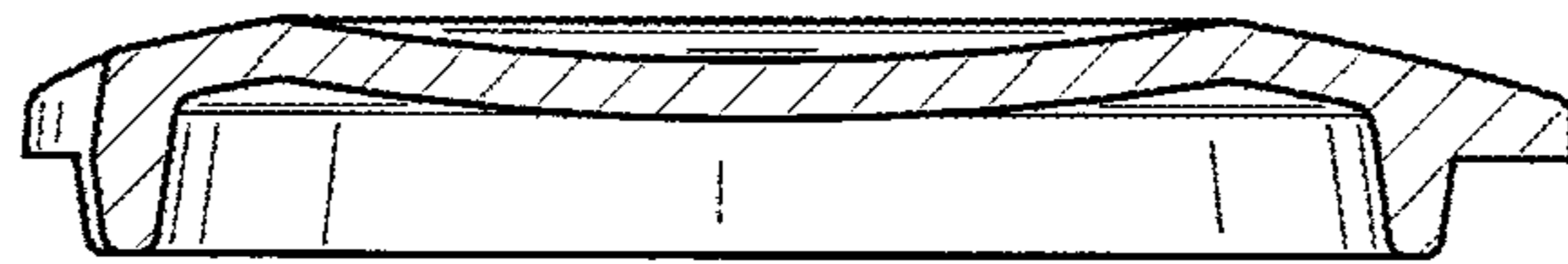


Fig. 8

X-X

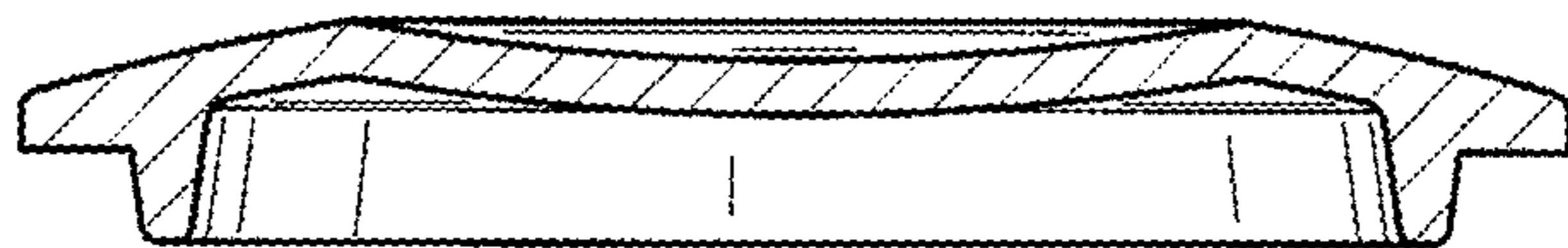


Fig. 9

Y-Y

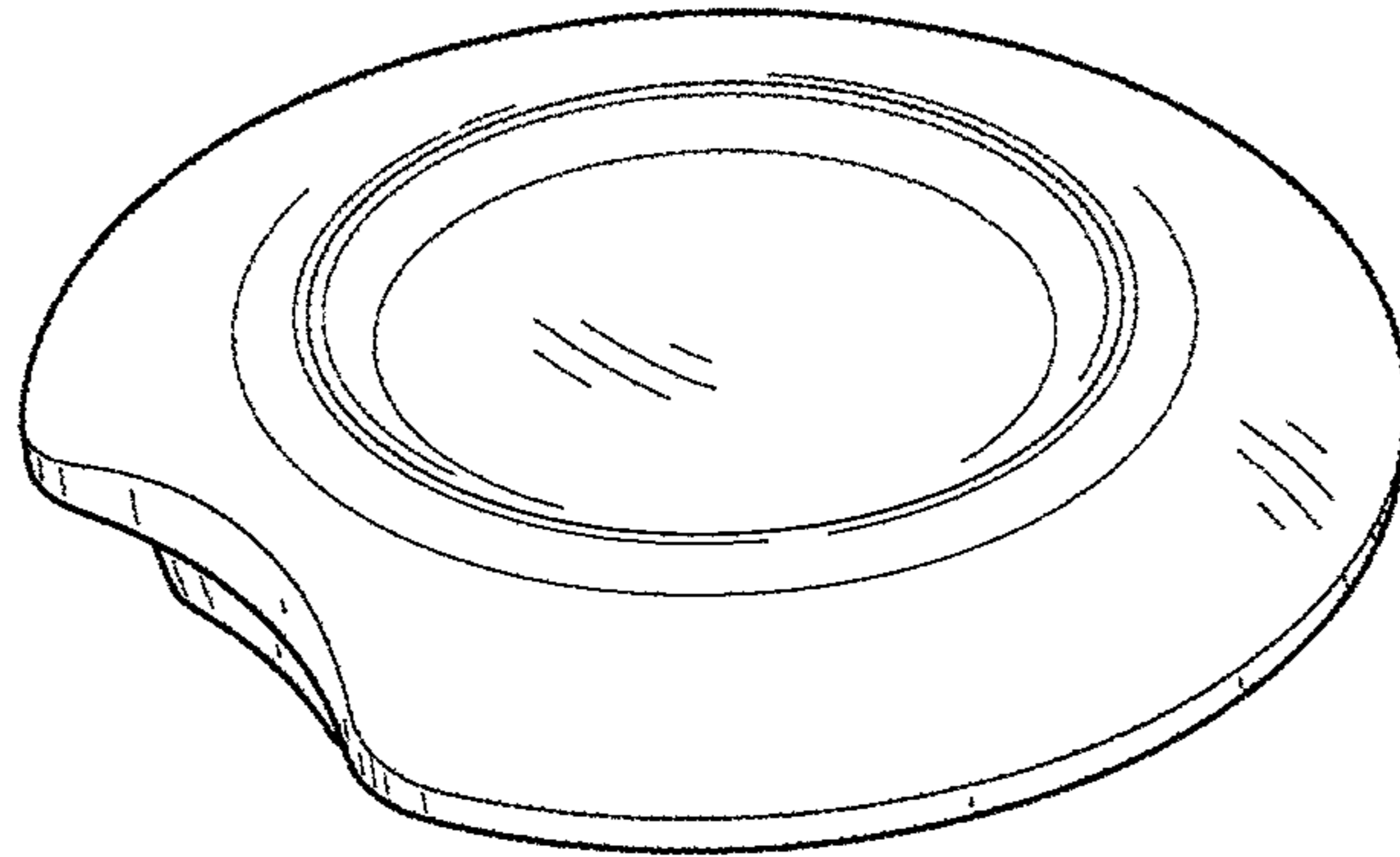


Fig. 10

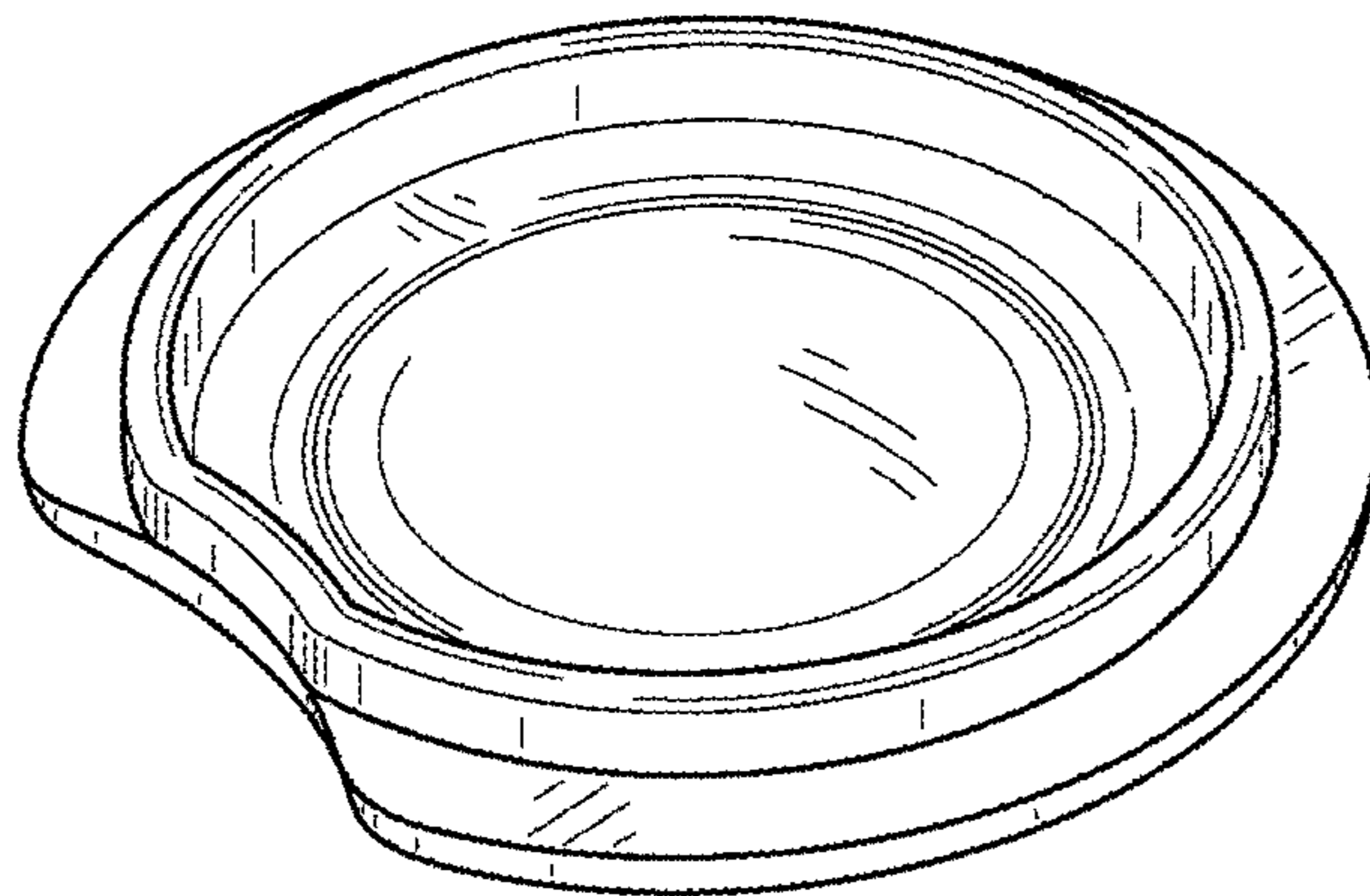


Fig. 11

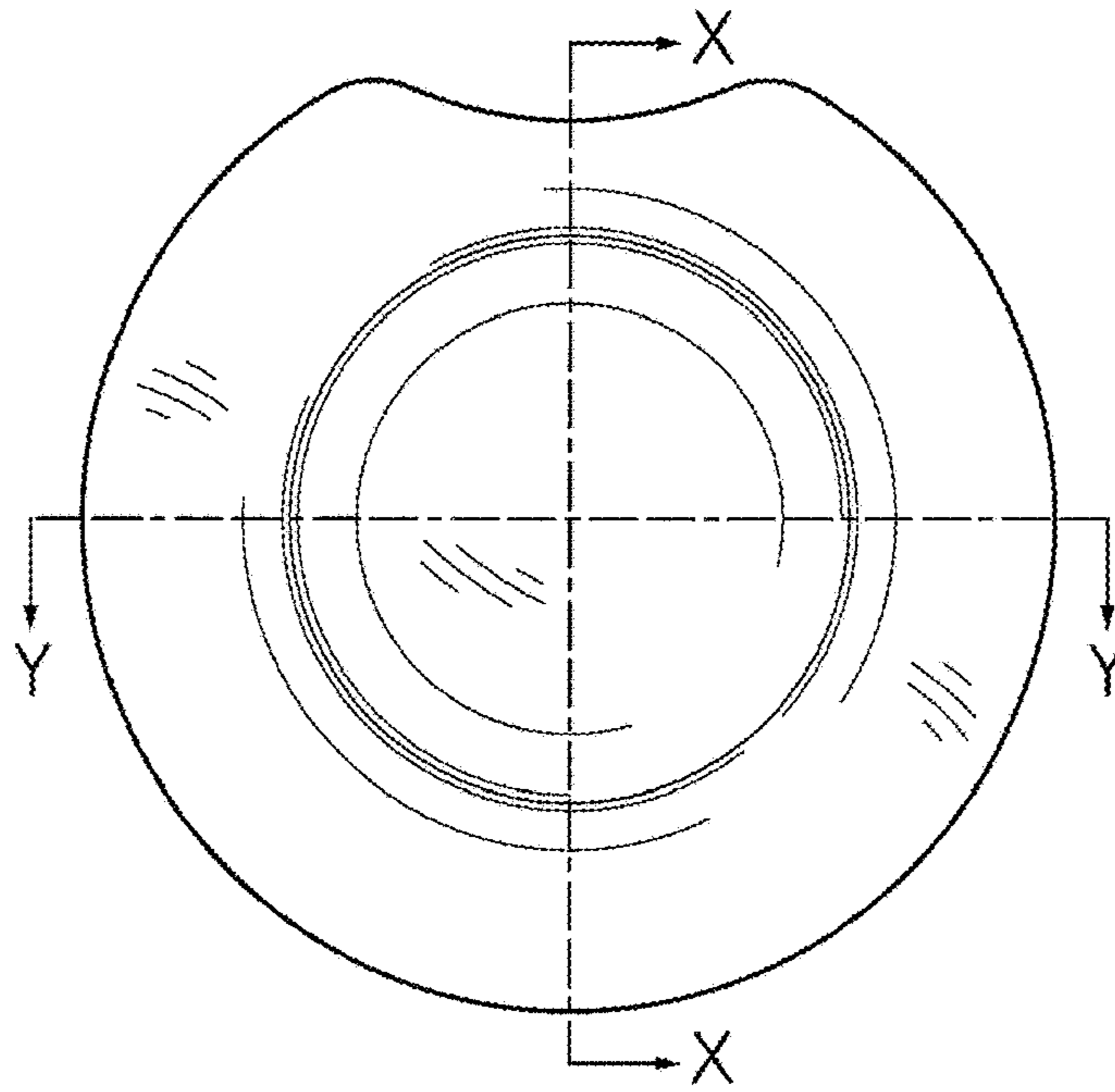


Fig. 12

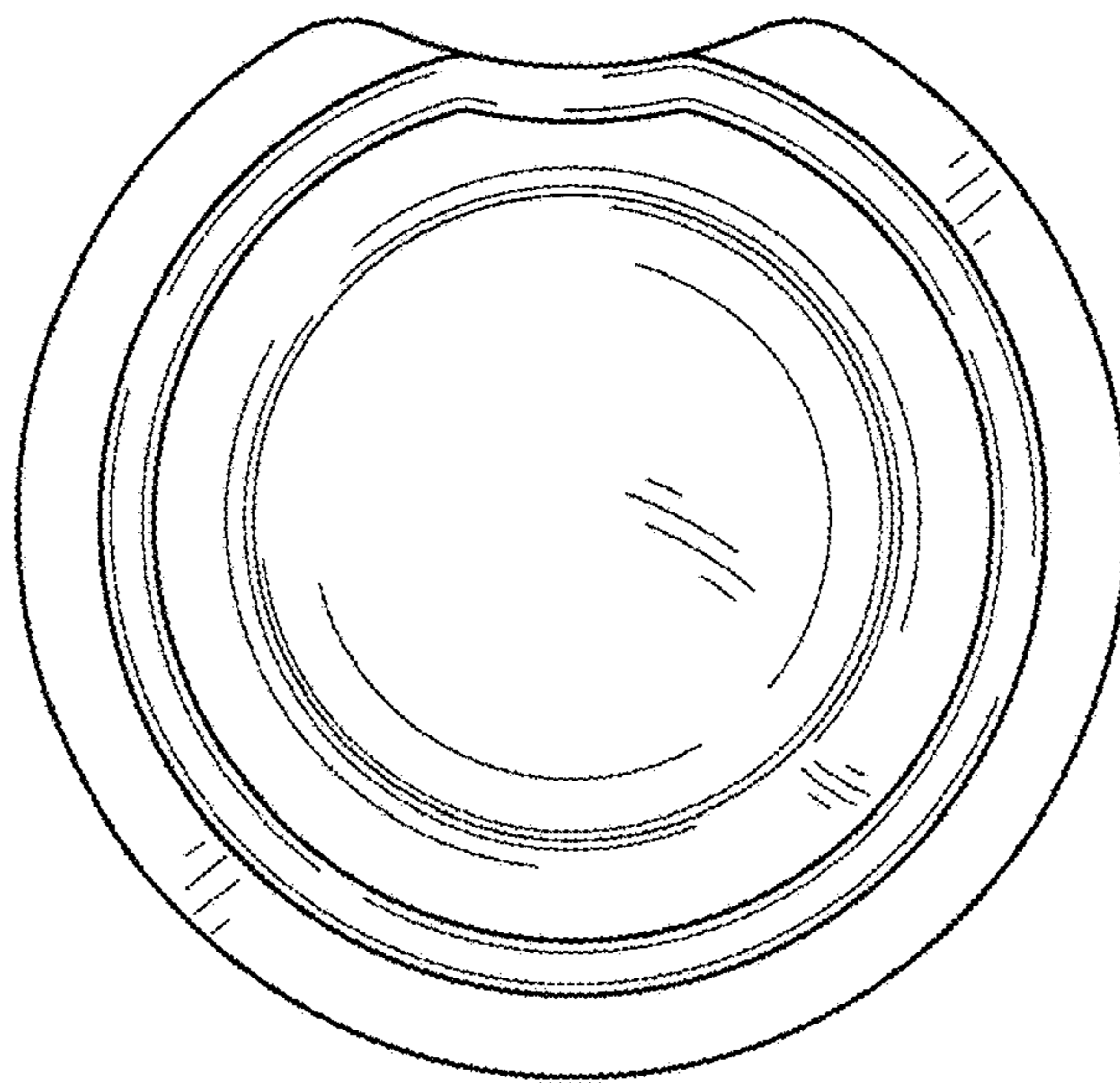


Fig. 13

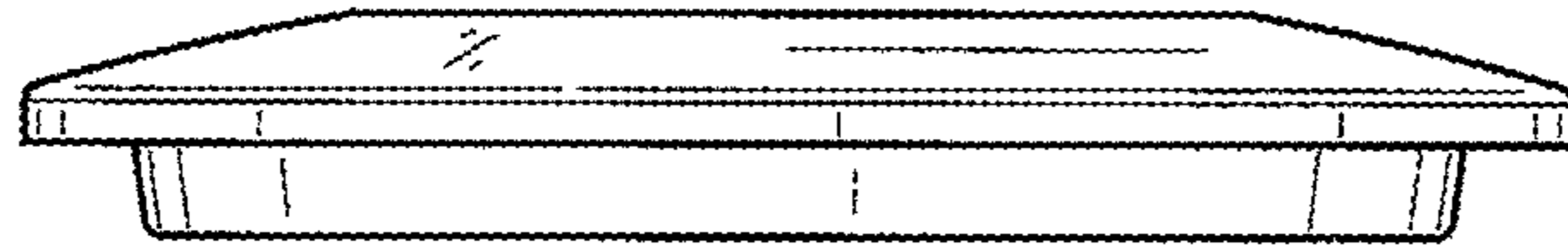


Fig. 14

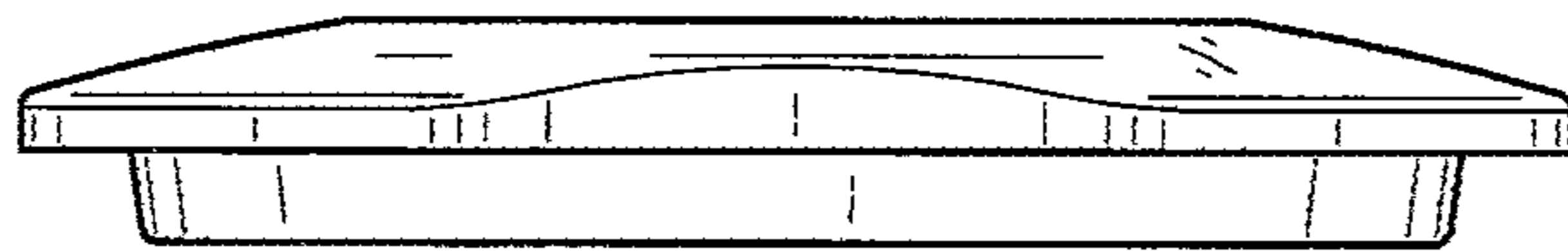


Fig. 15

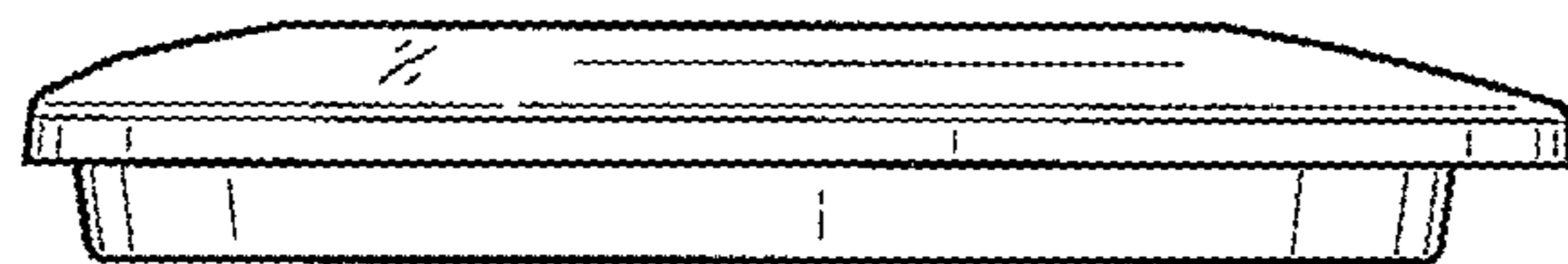


Fig. 16

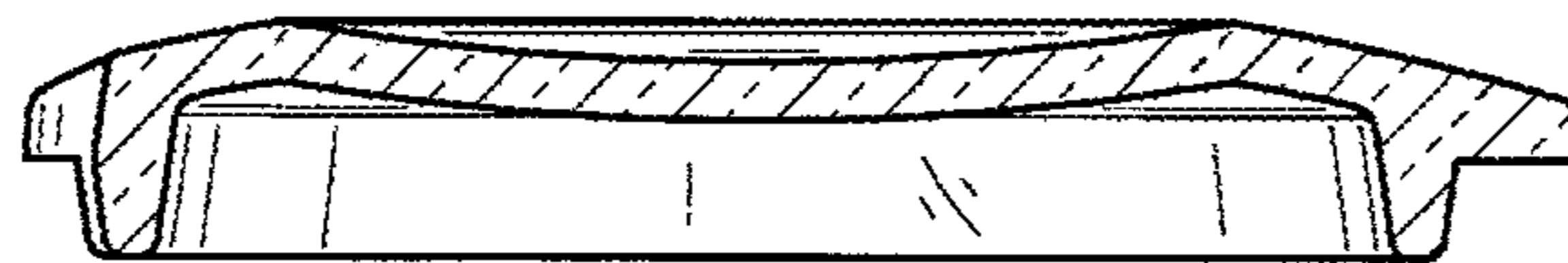


Fig. 17
X-X

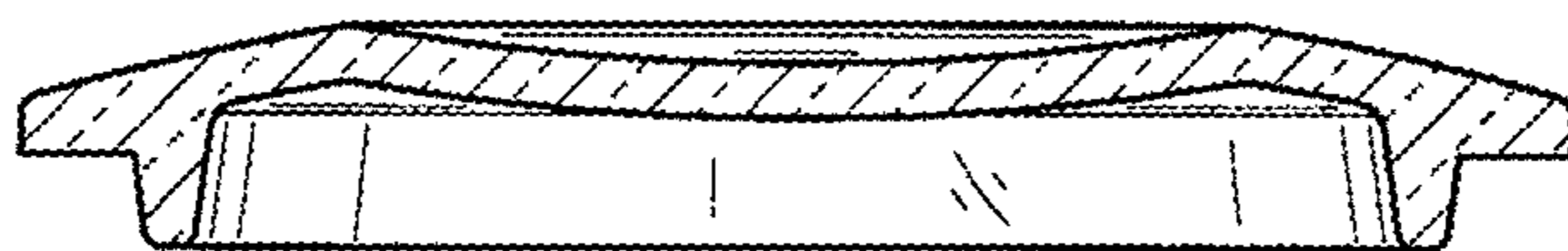


Fig. 18
Y-Y

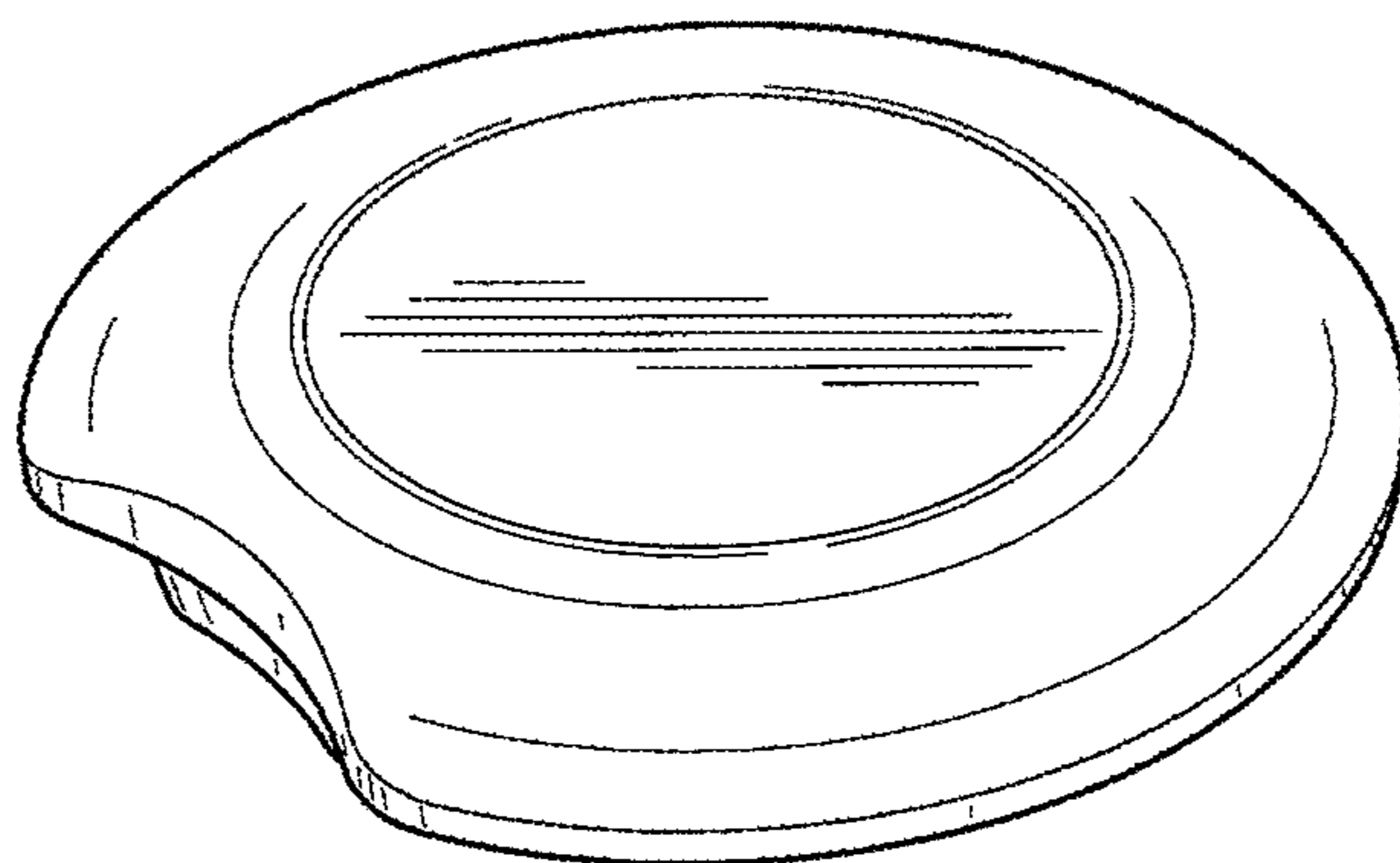


Fig. 19

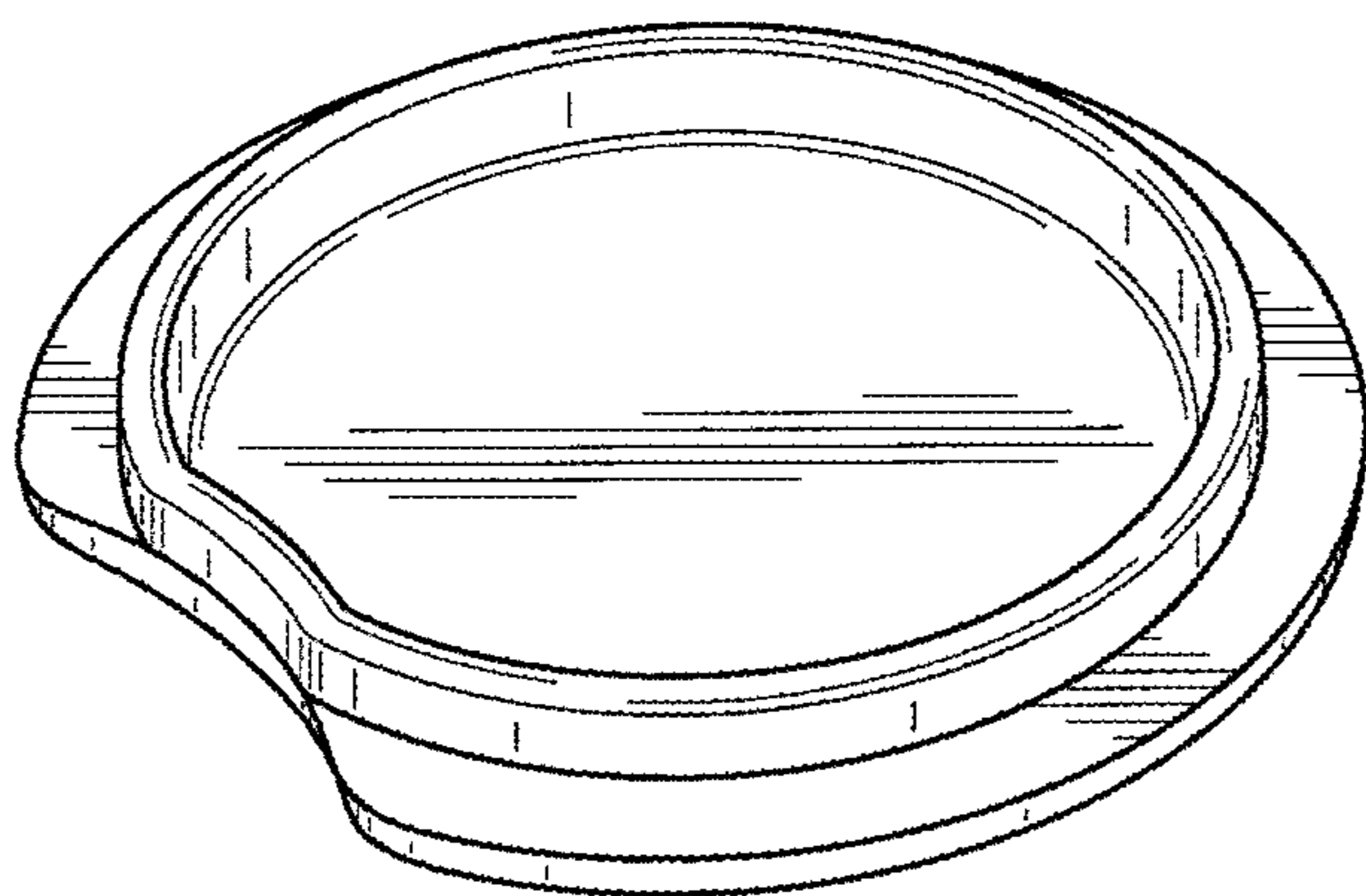


Fig. 20

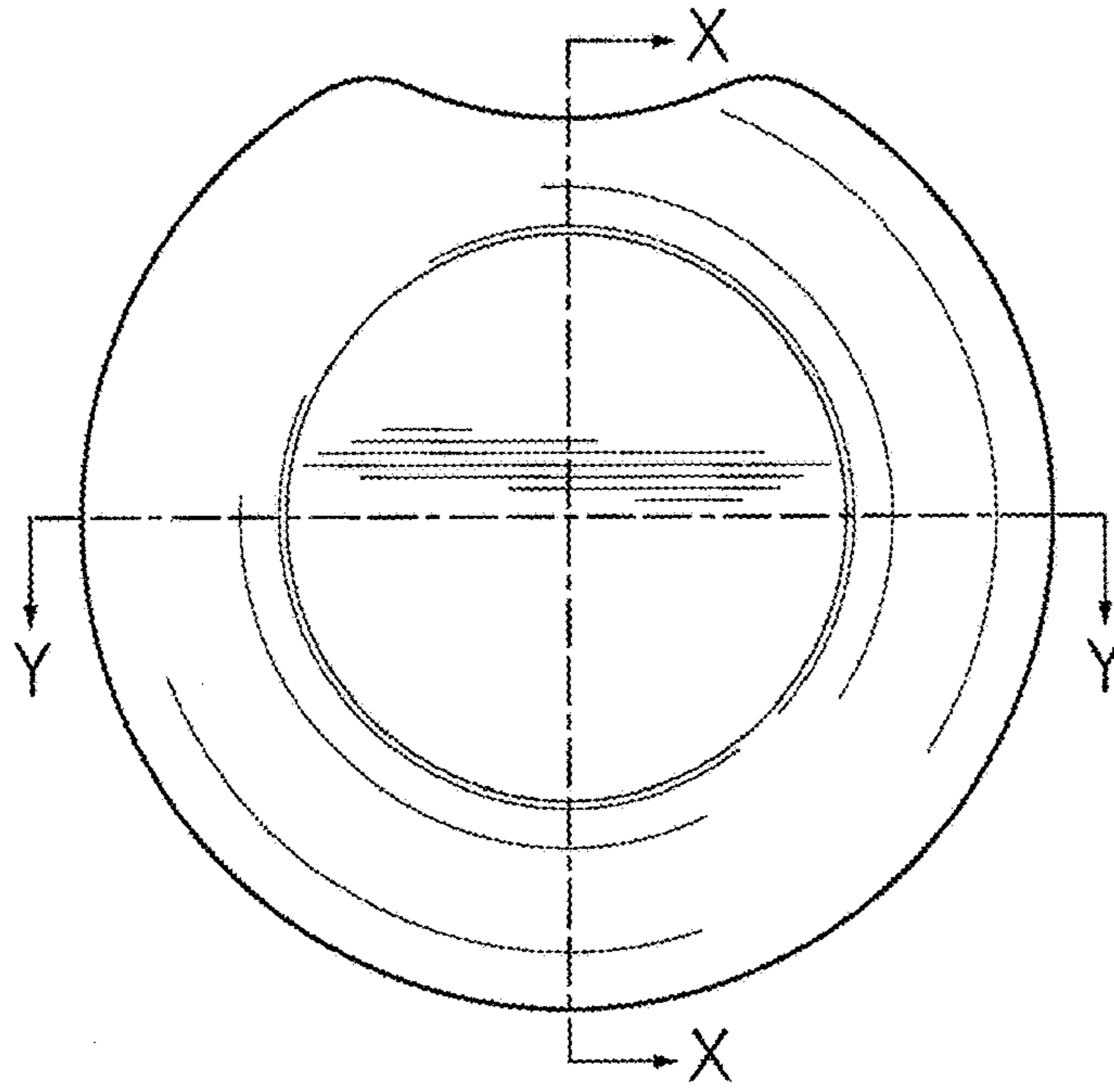


Fig. 21

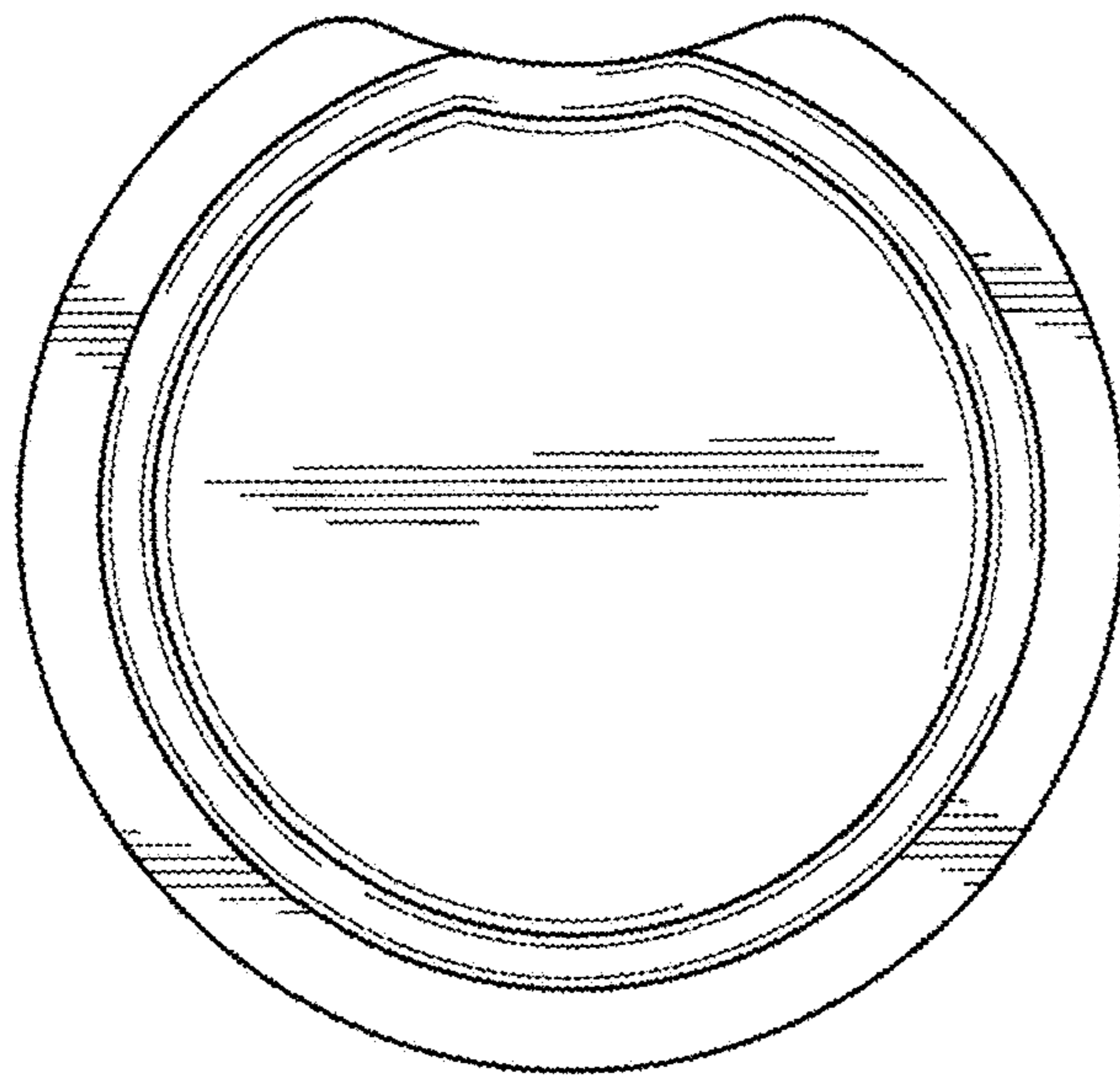


Fig. 22

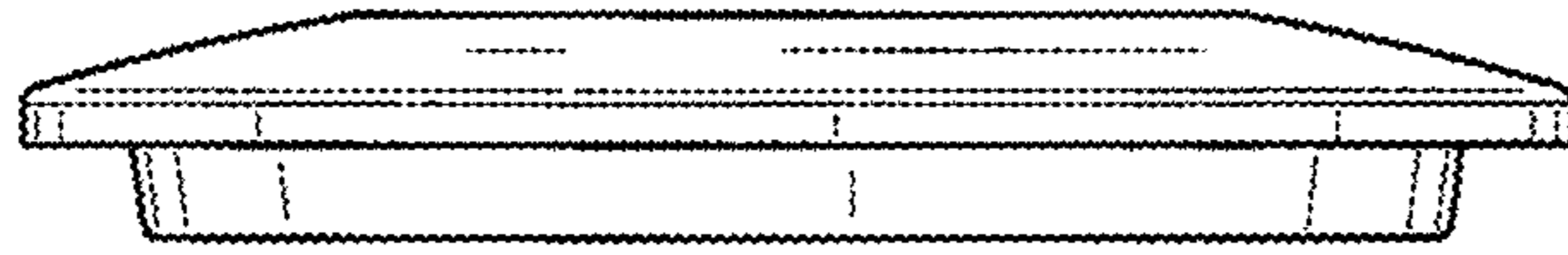


Fig. 23

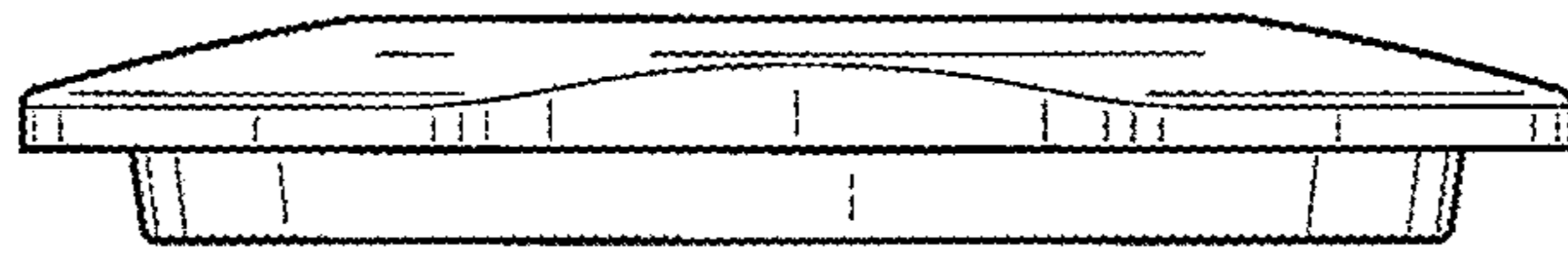


Fig. 24

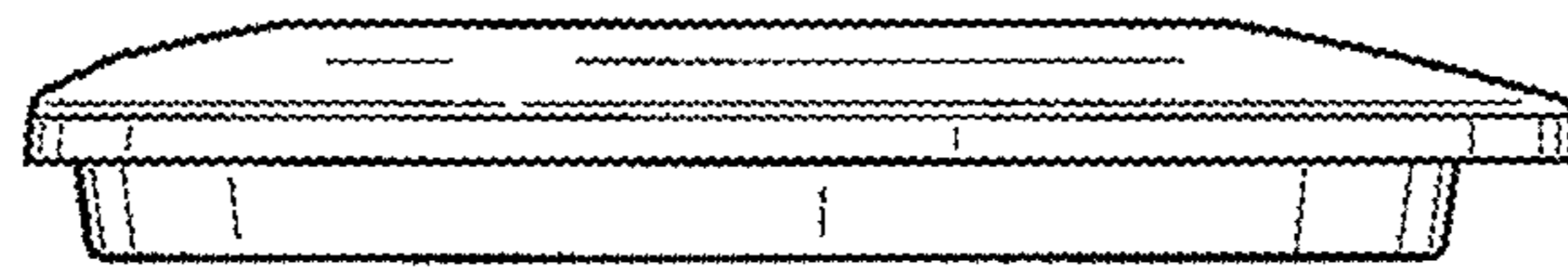


Fig. 25

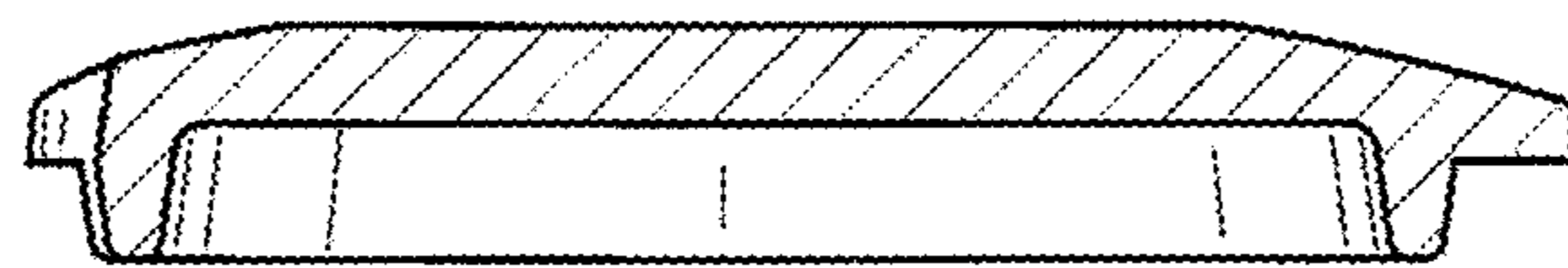


Fig. 26

X-X

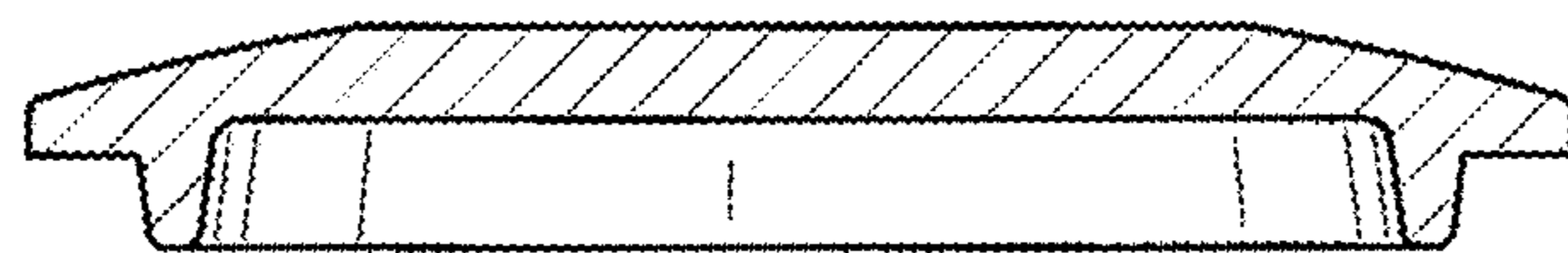


Fig. 27

Y-Y

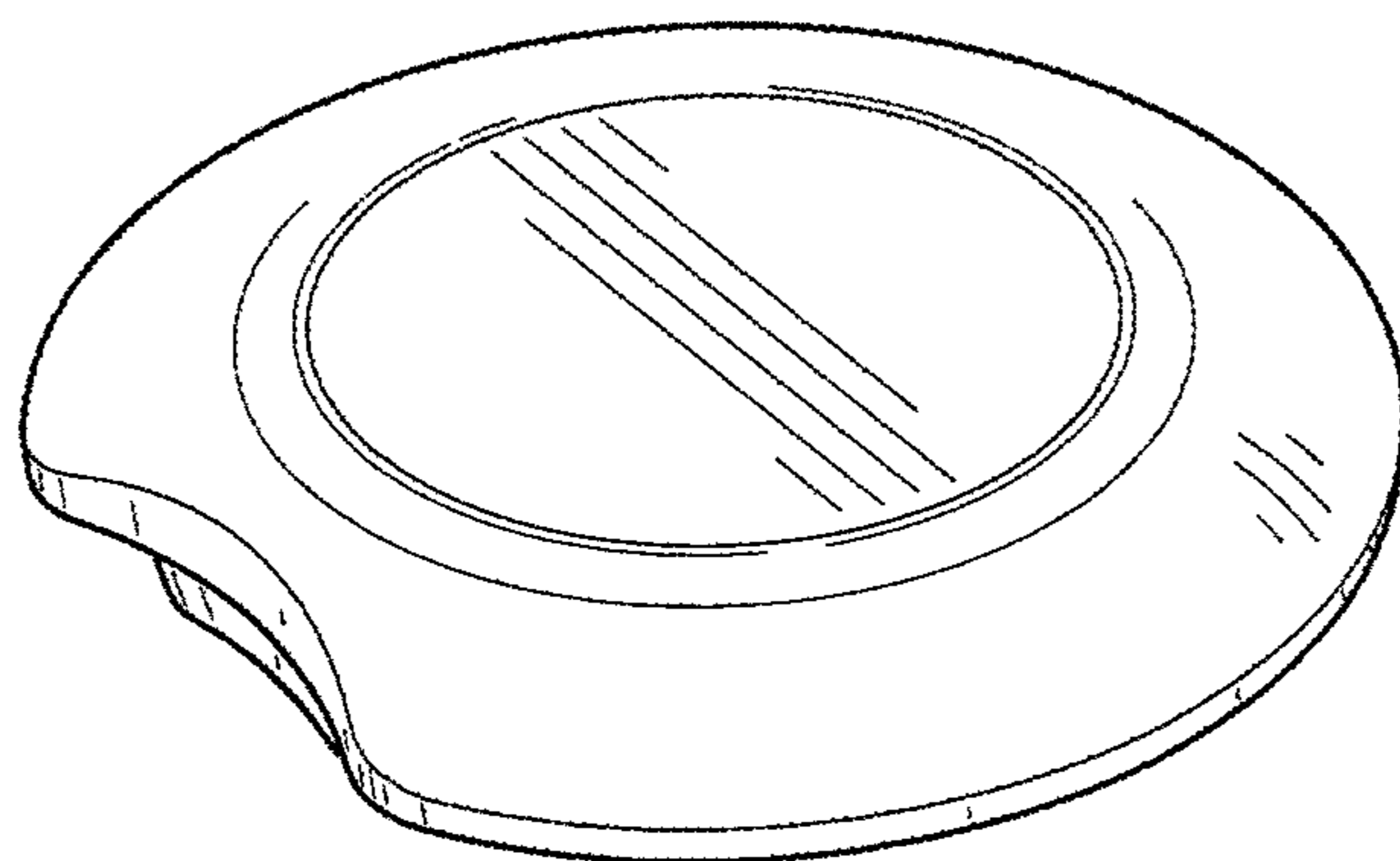


Fig. 28

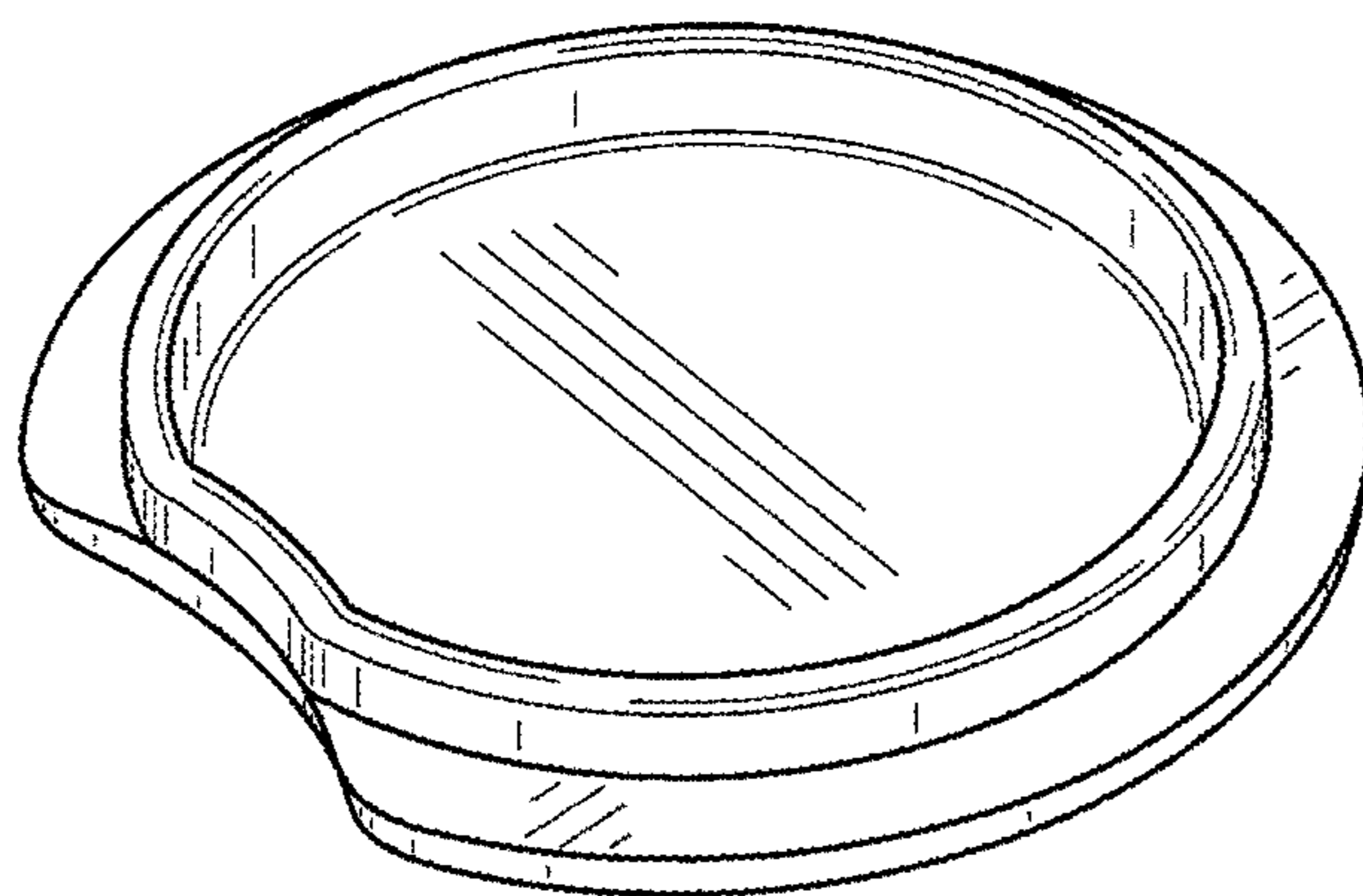


Fig. 29

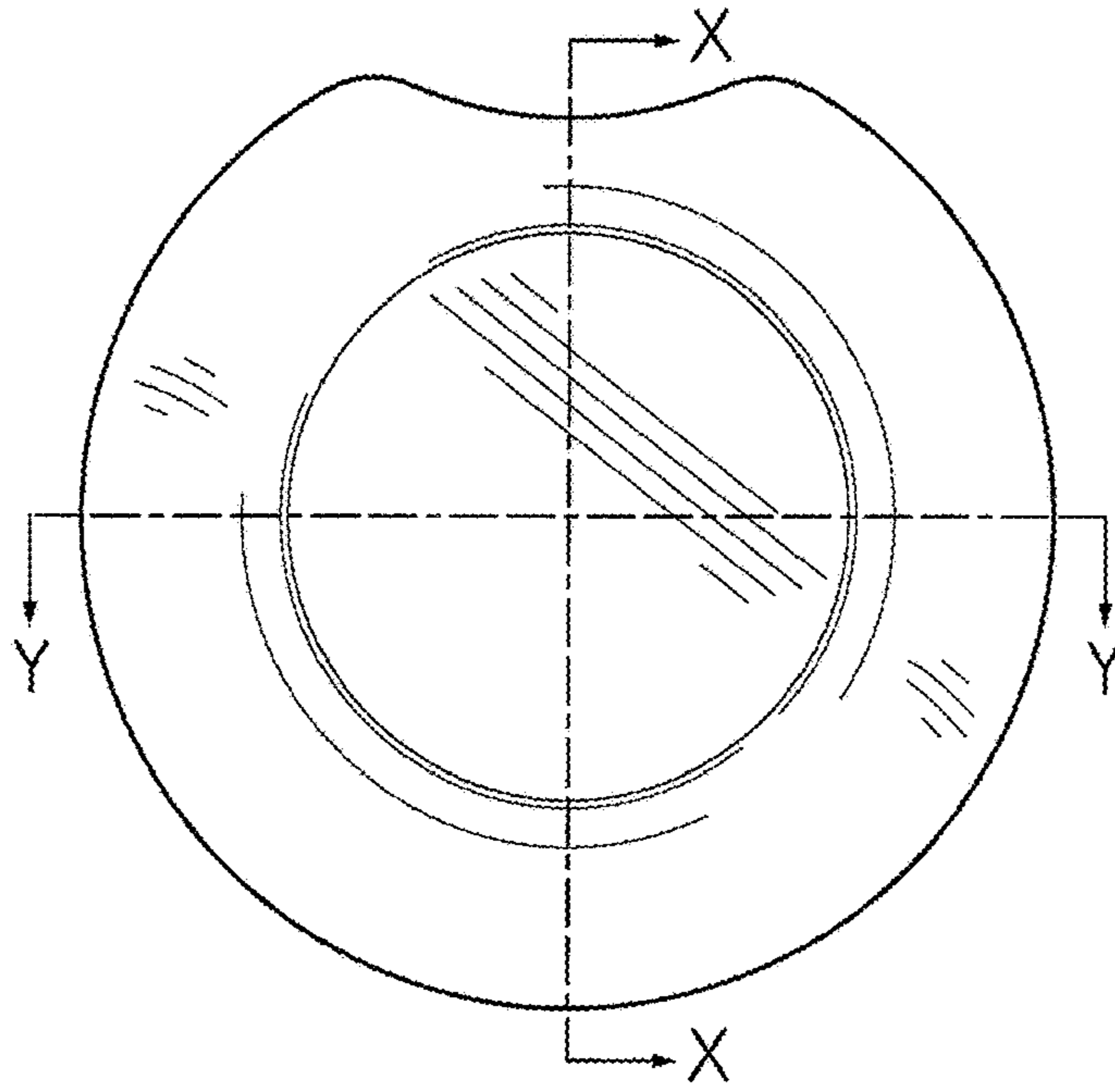


Fig. 30

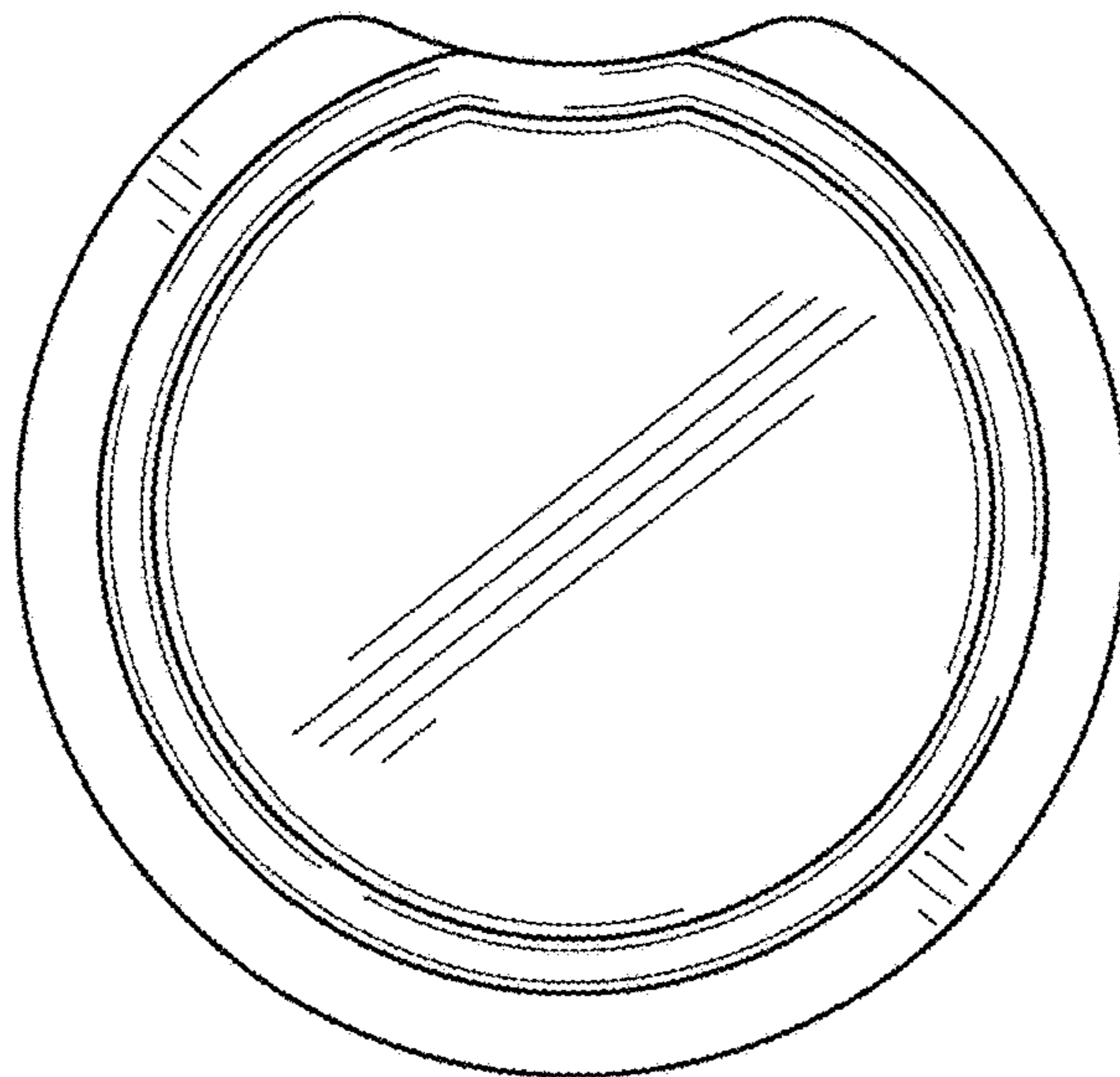


Fig. 31

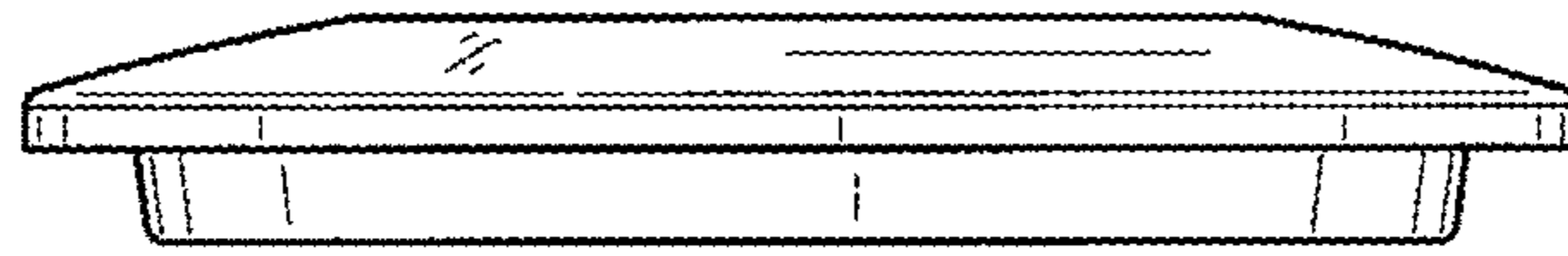


Fig. 32

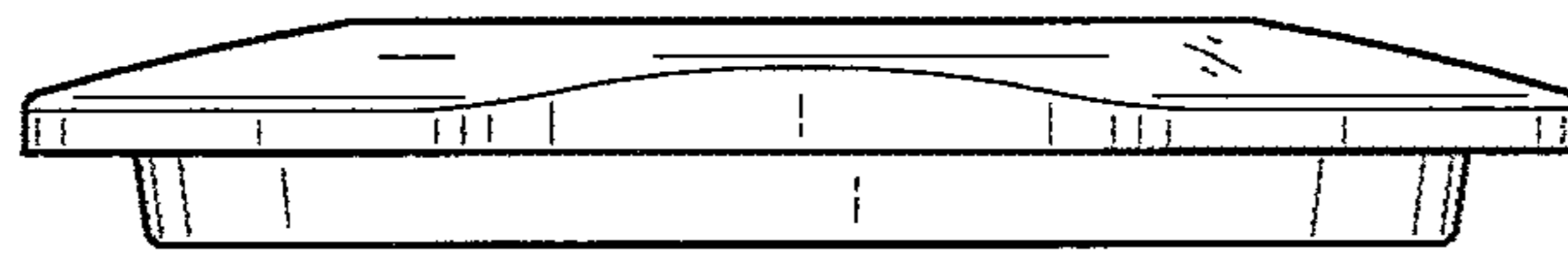


Fig. 33

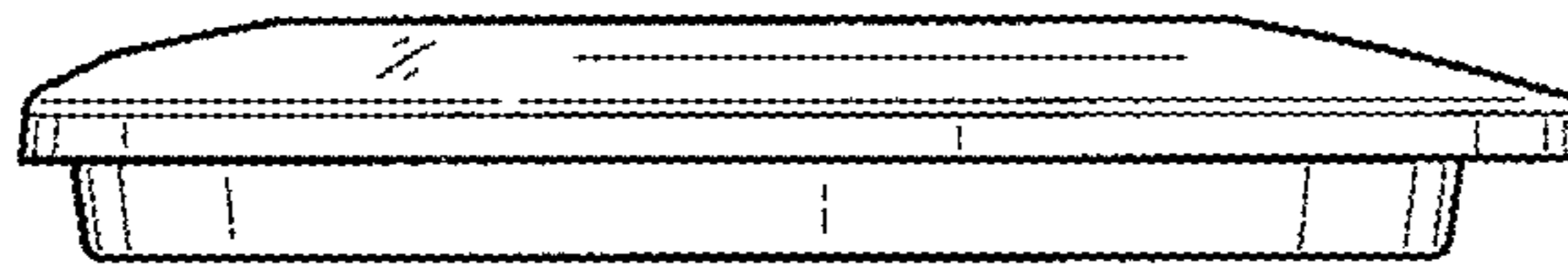


Fig. 34

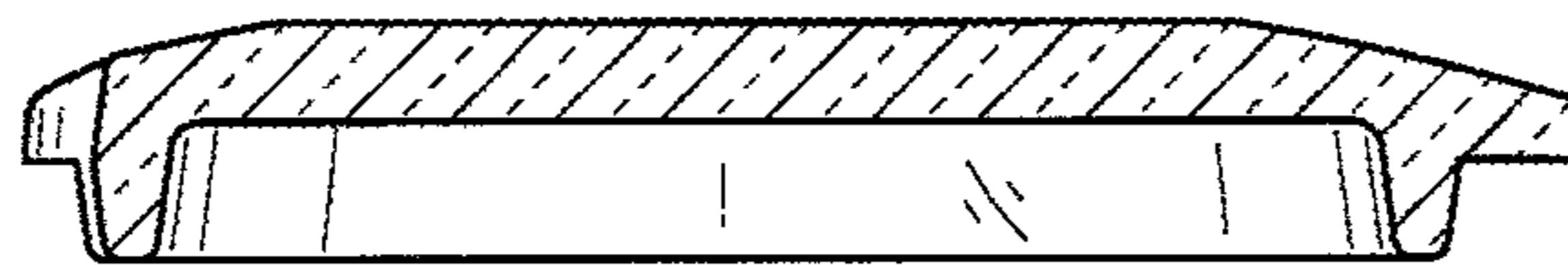


Fig. 35
X-X

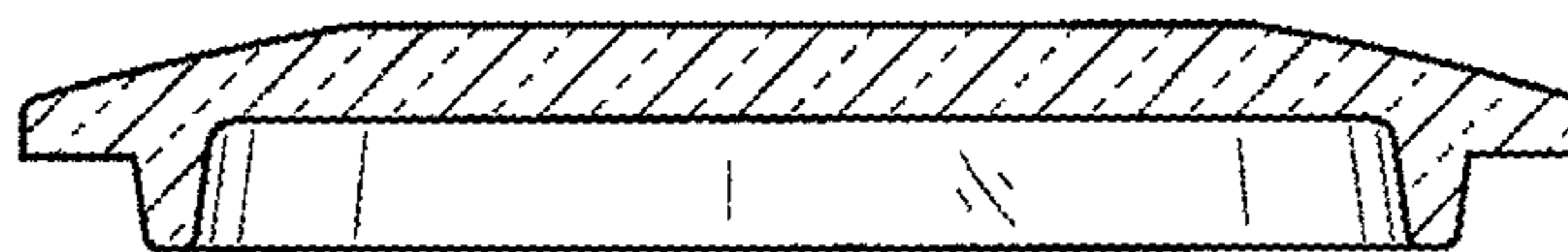


Fig. 36
Y-Y

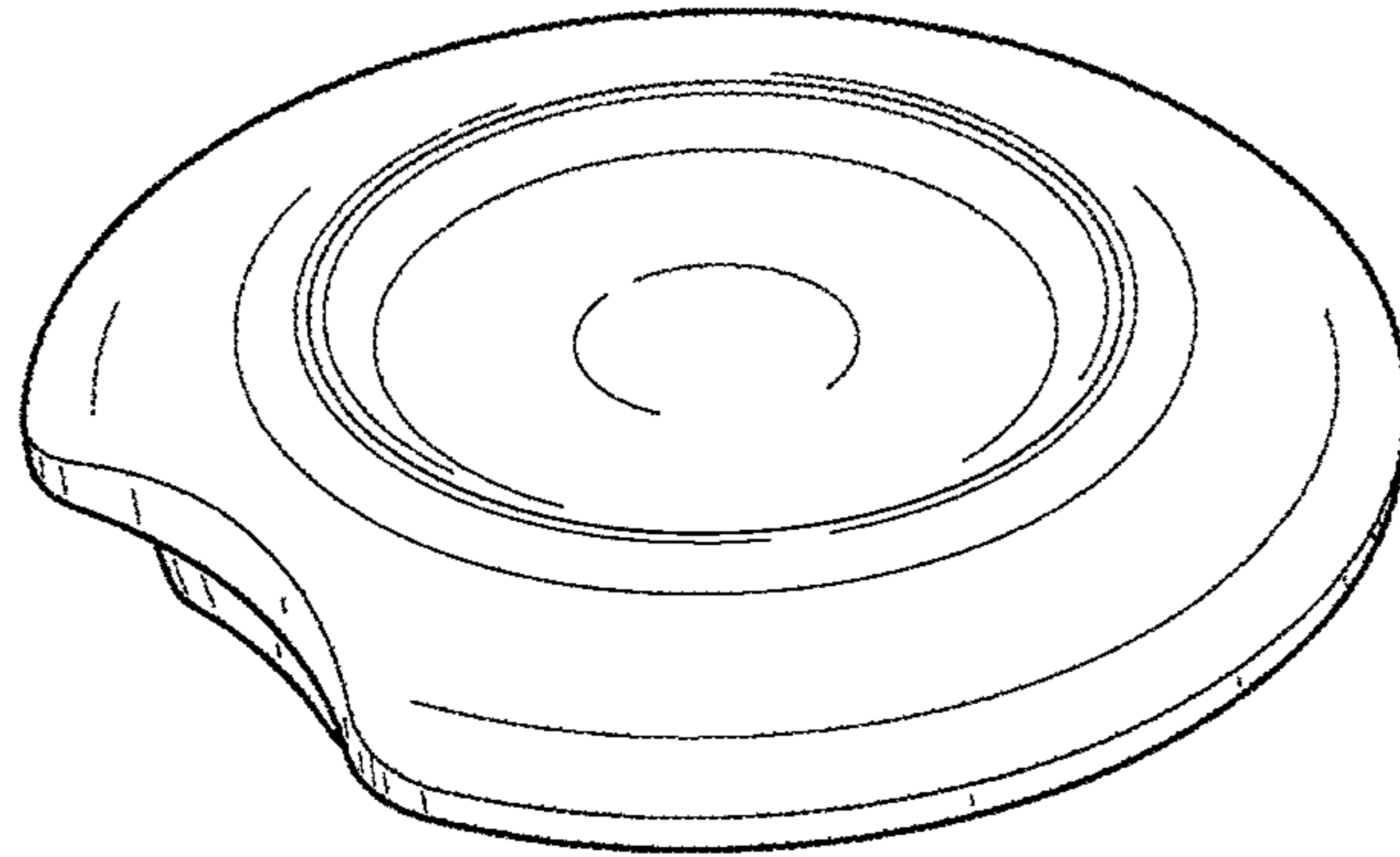


Fig. 37

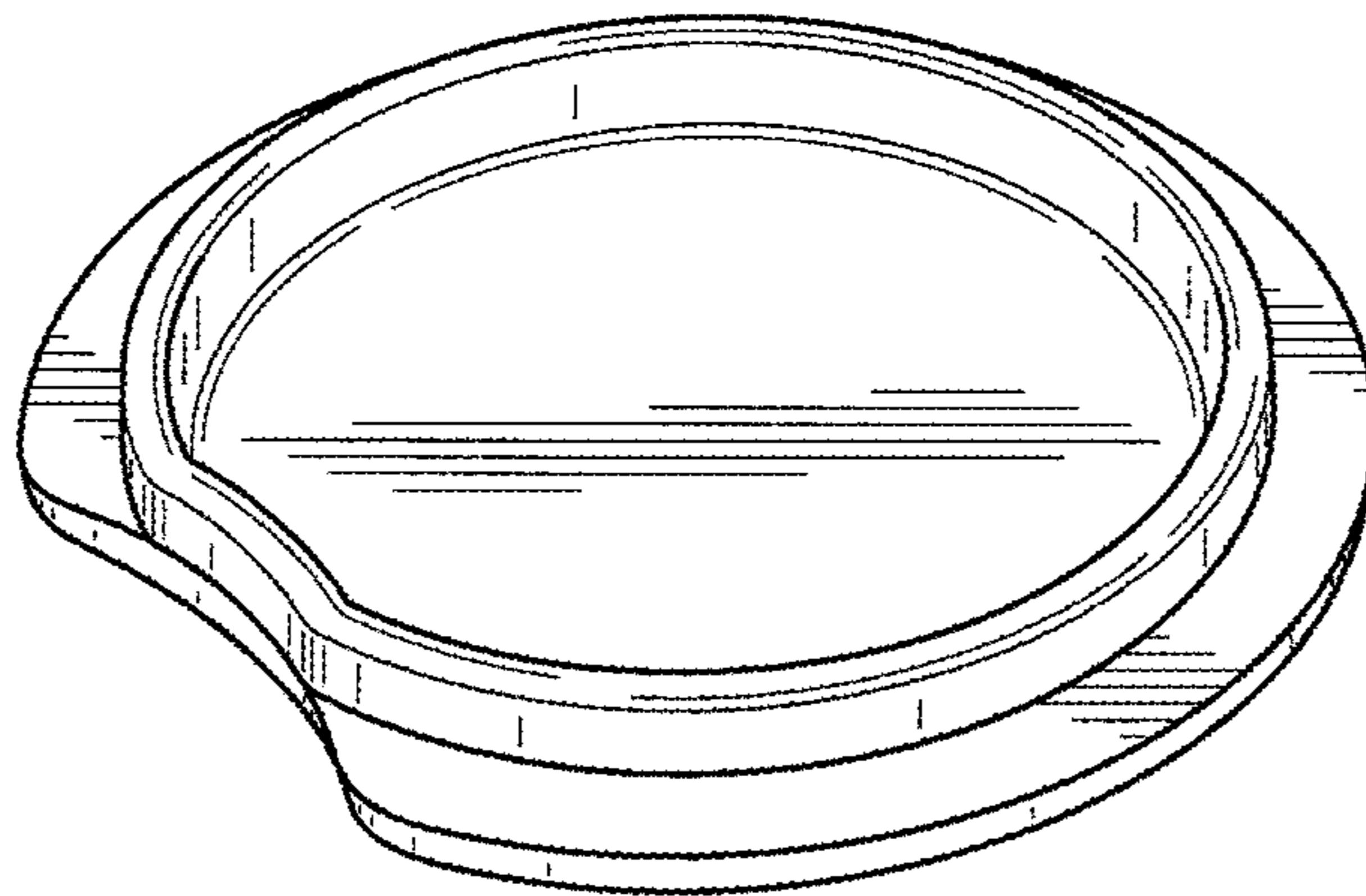


Fig. 38

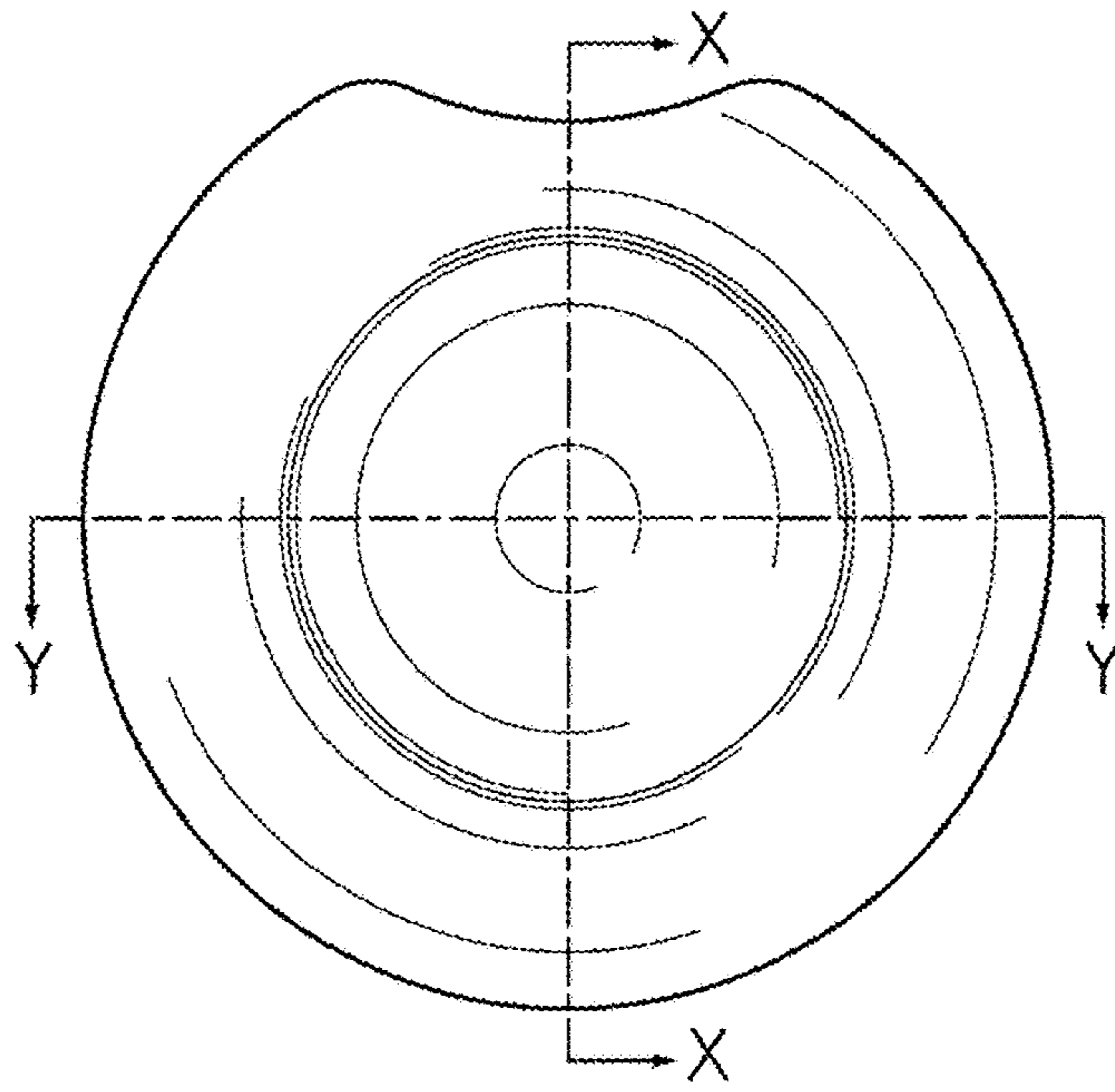


Fig. 39

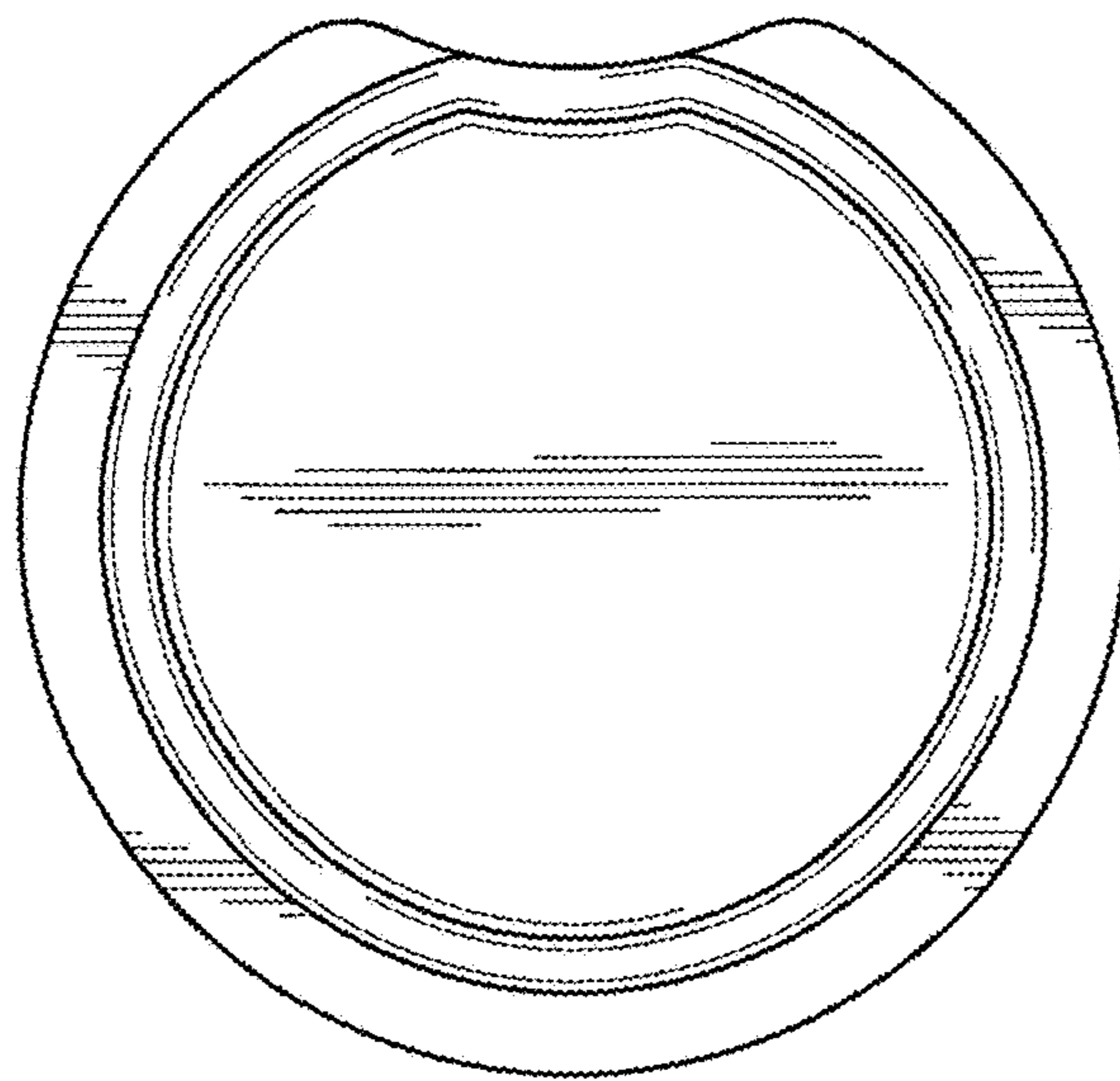


Fig. 40

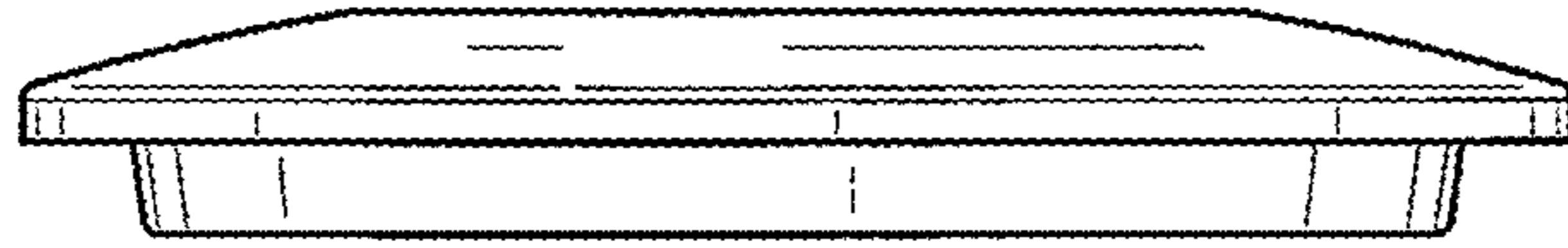


Fig. 41

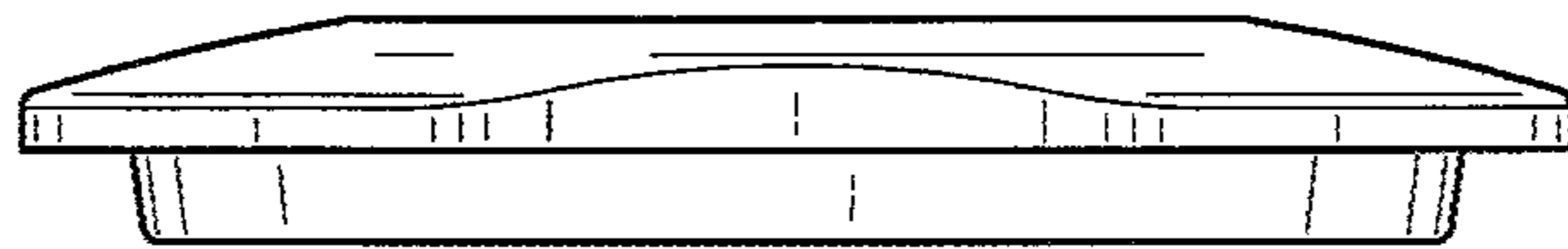


Fig. 42



Fig. 43

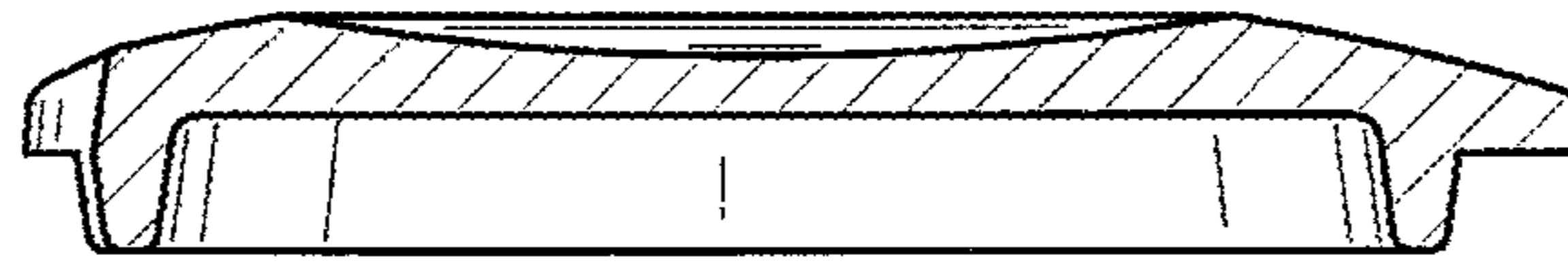


Fig. 44

X-X

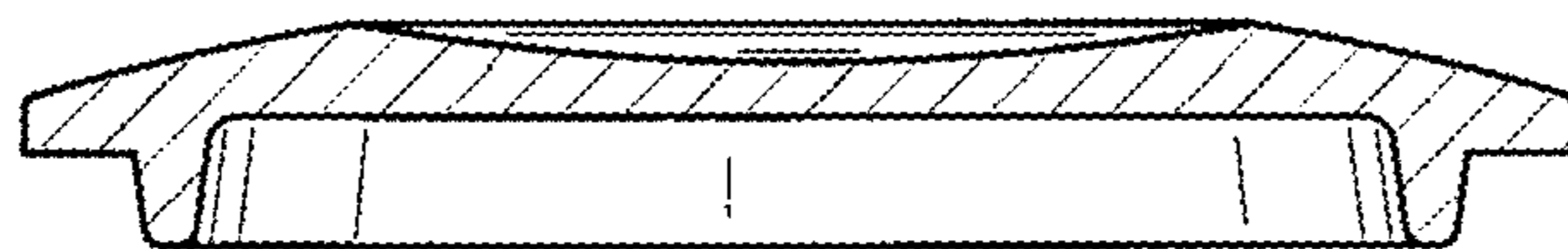


Fig. 45

Y-Y

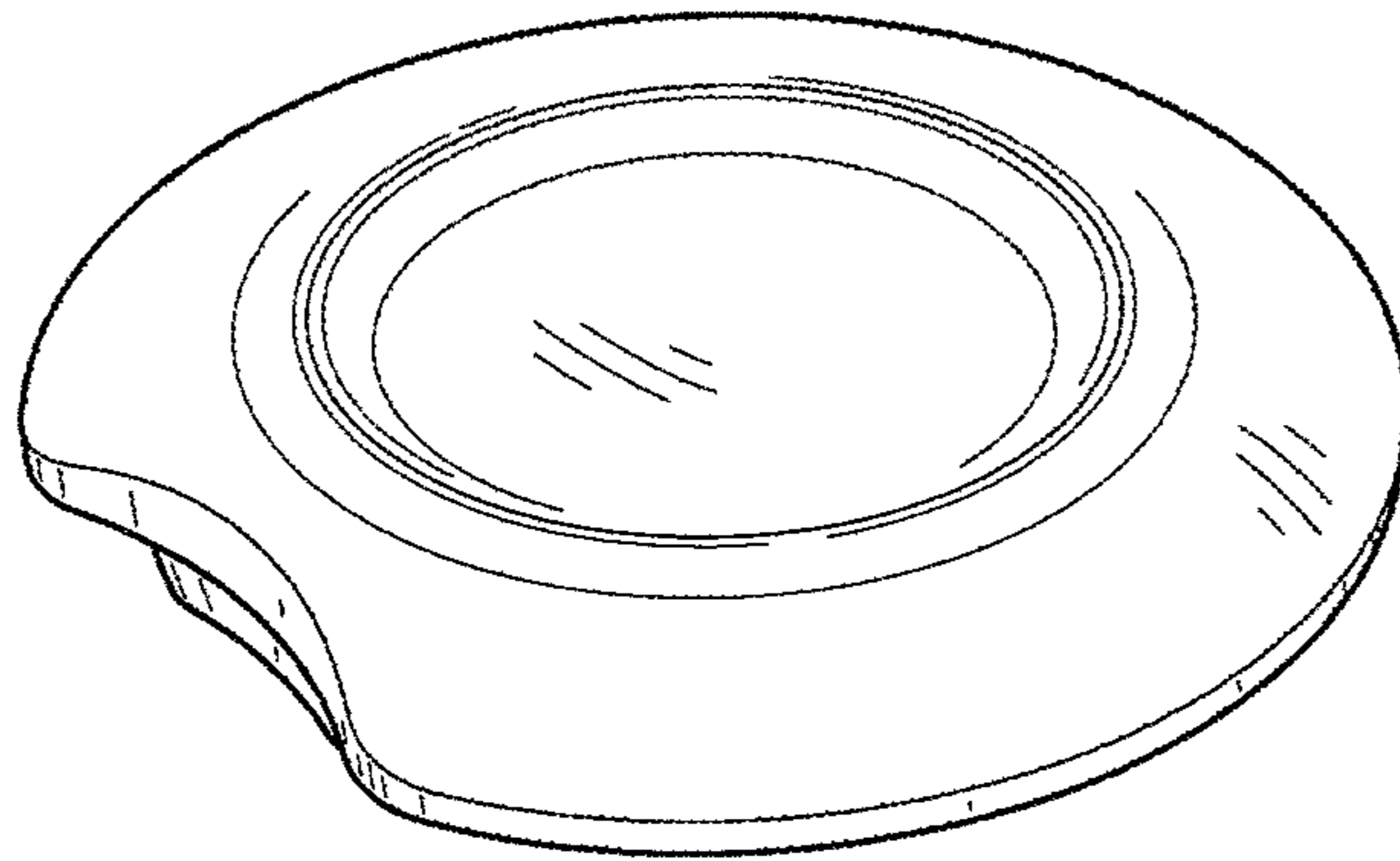


Fig. 46

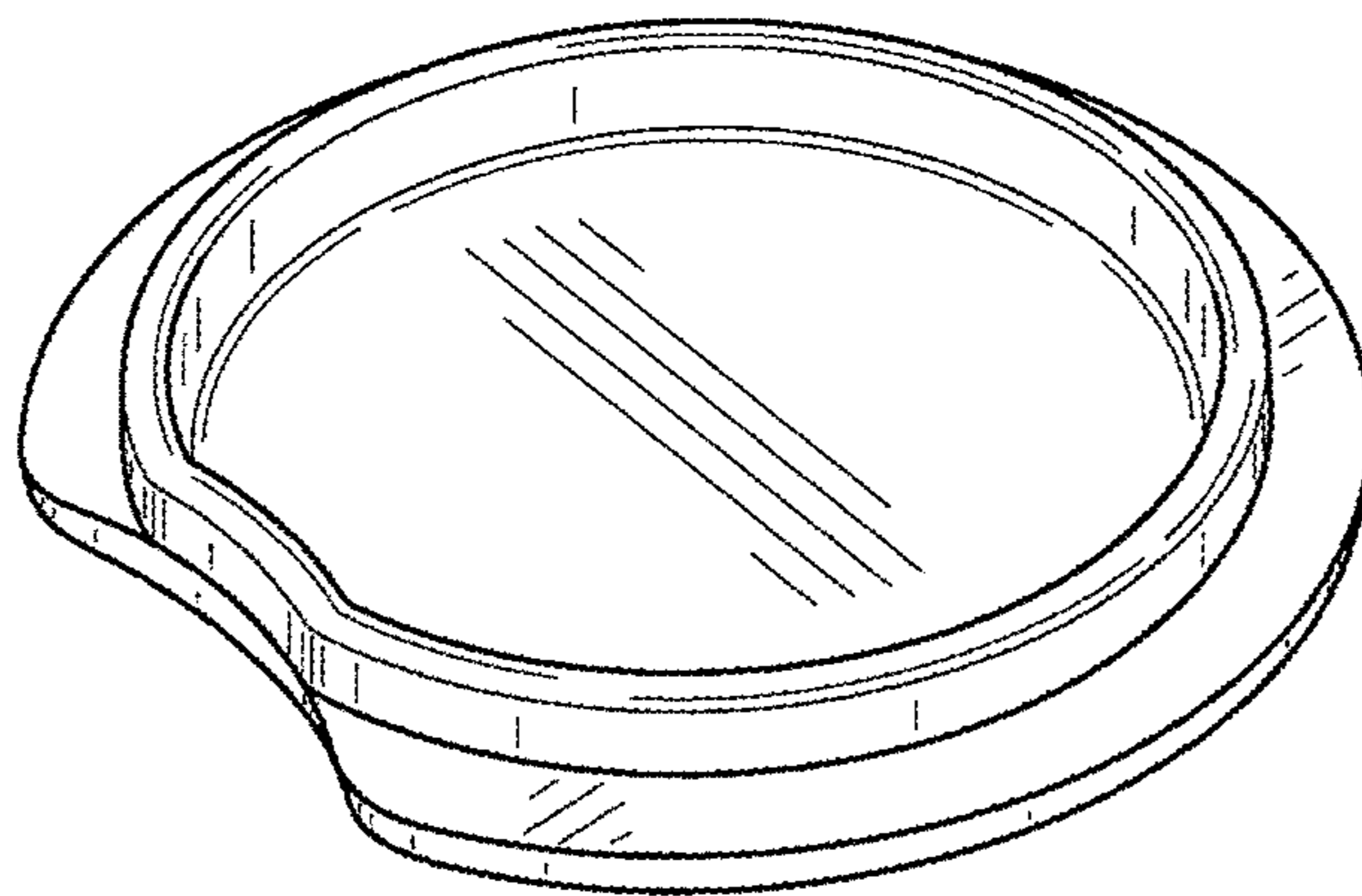


Fig. 47

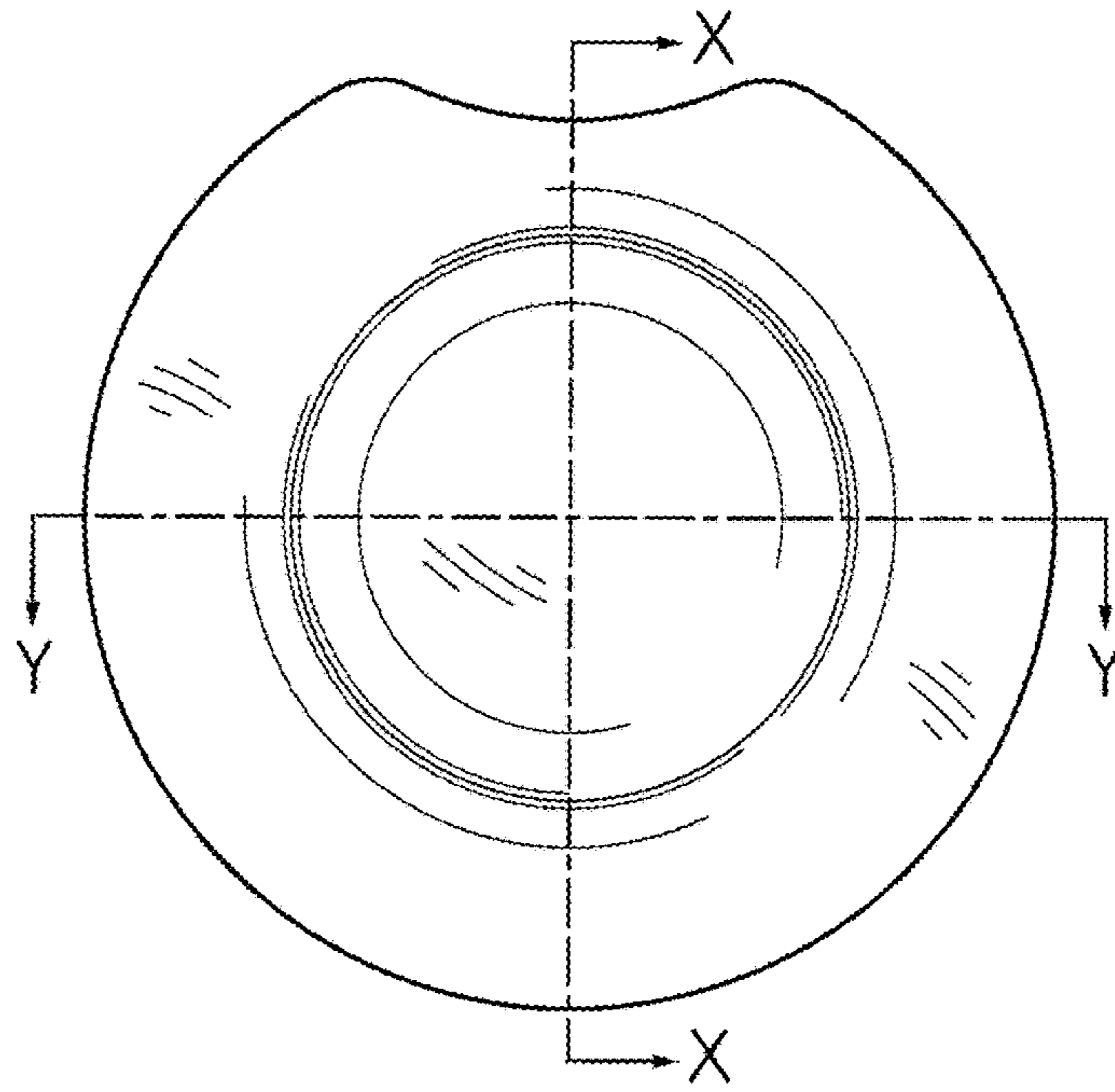


Fig. 48

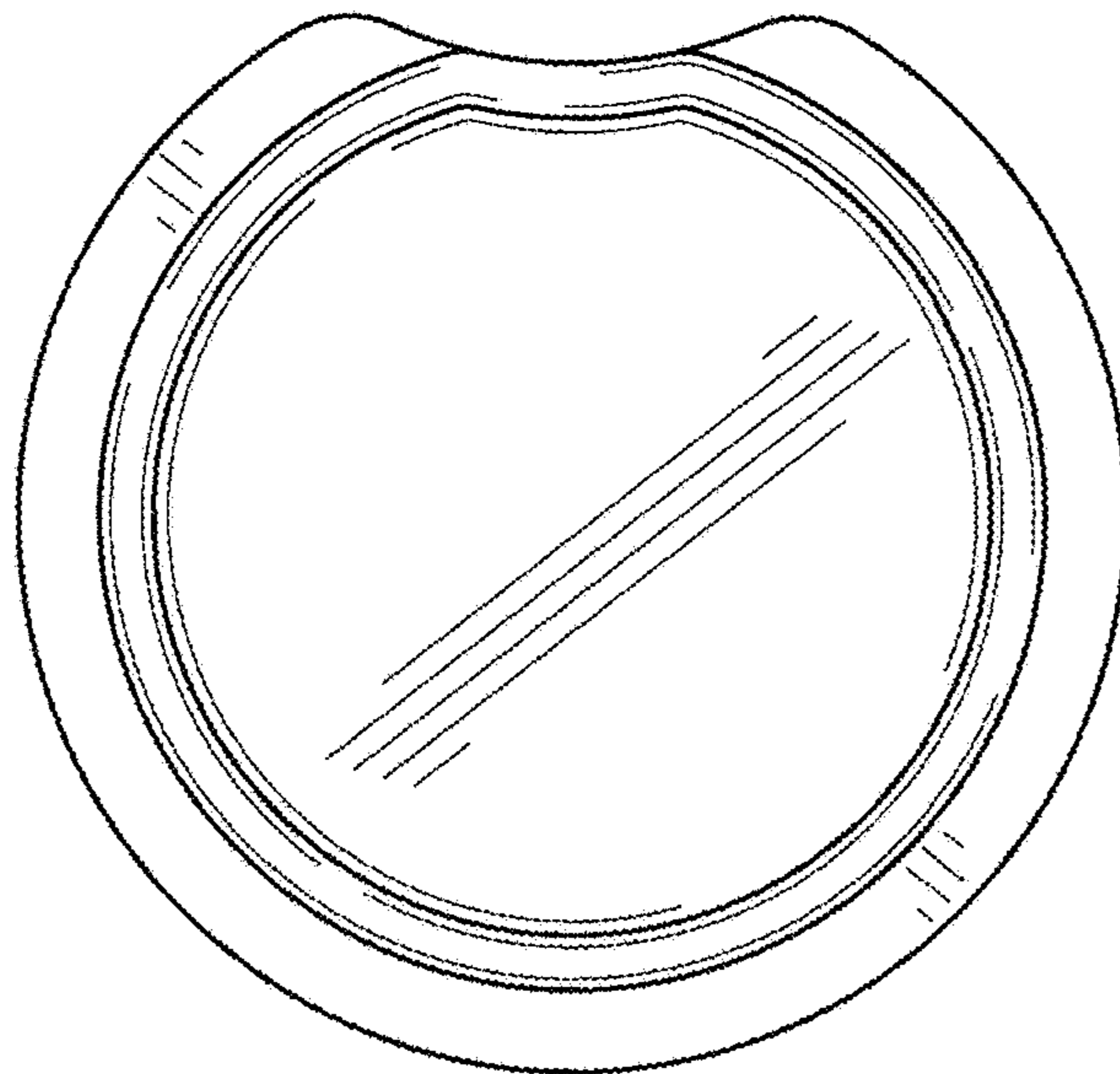


Fig. 49

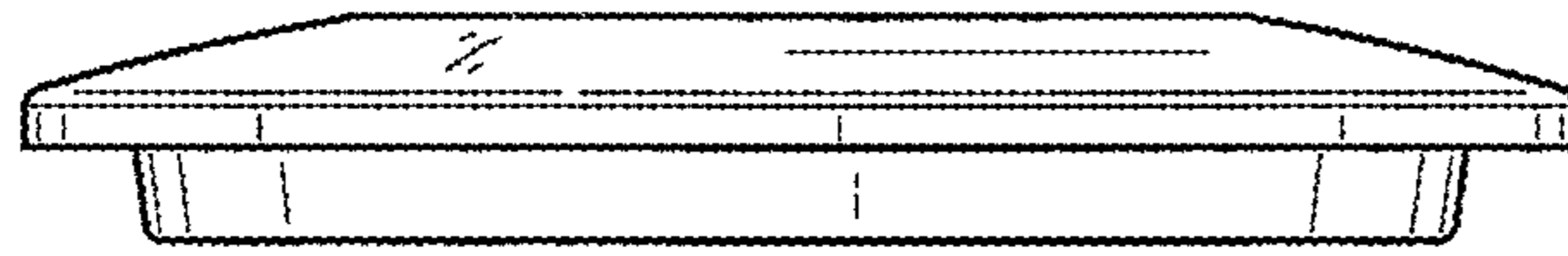


Fig. 50

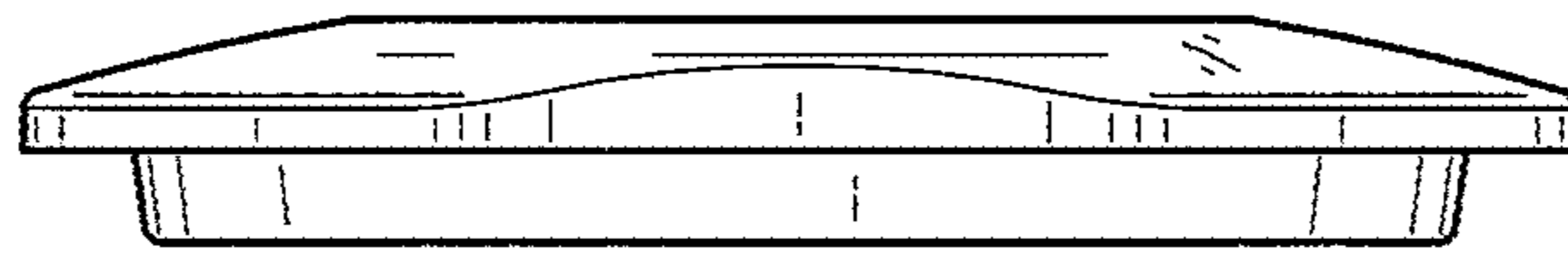


Fig. 51

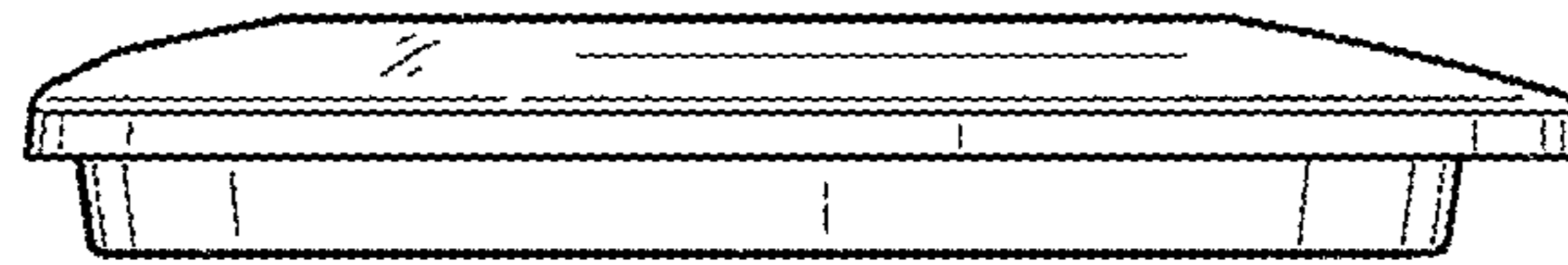


Fig. 52

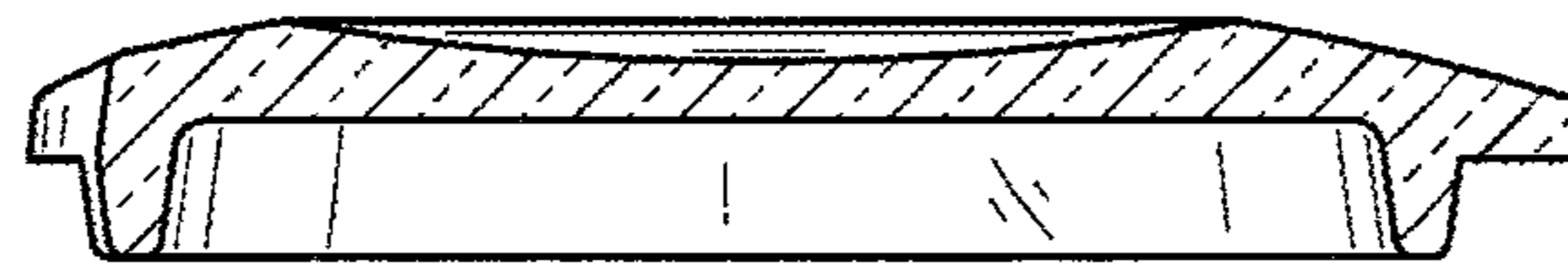


Fig. 53
X-X

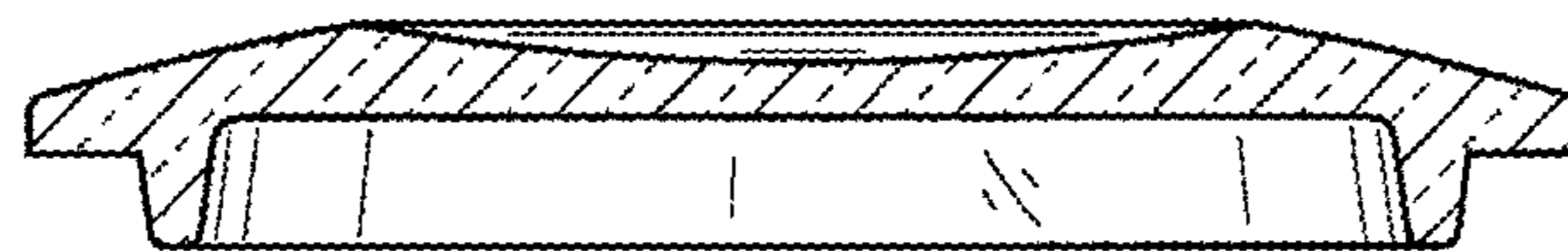


Fig. 54
Y-Y

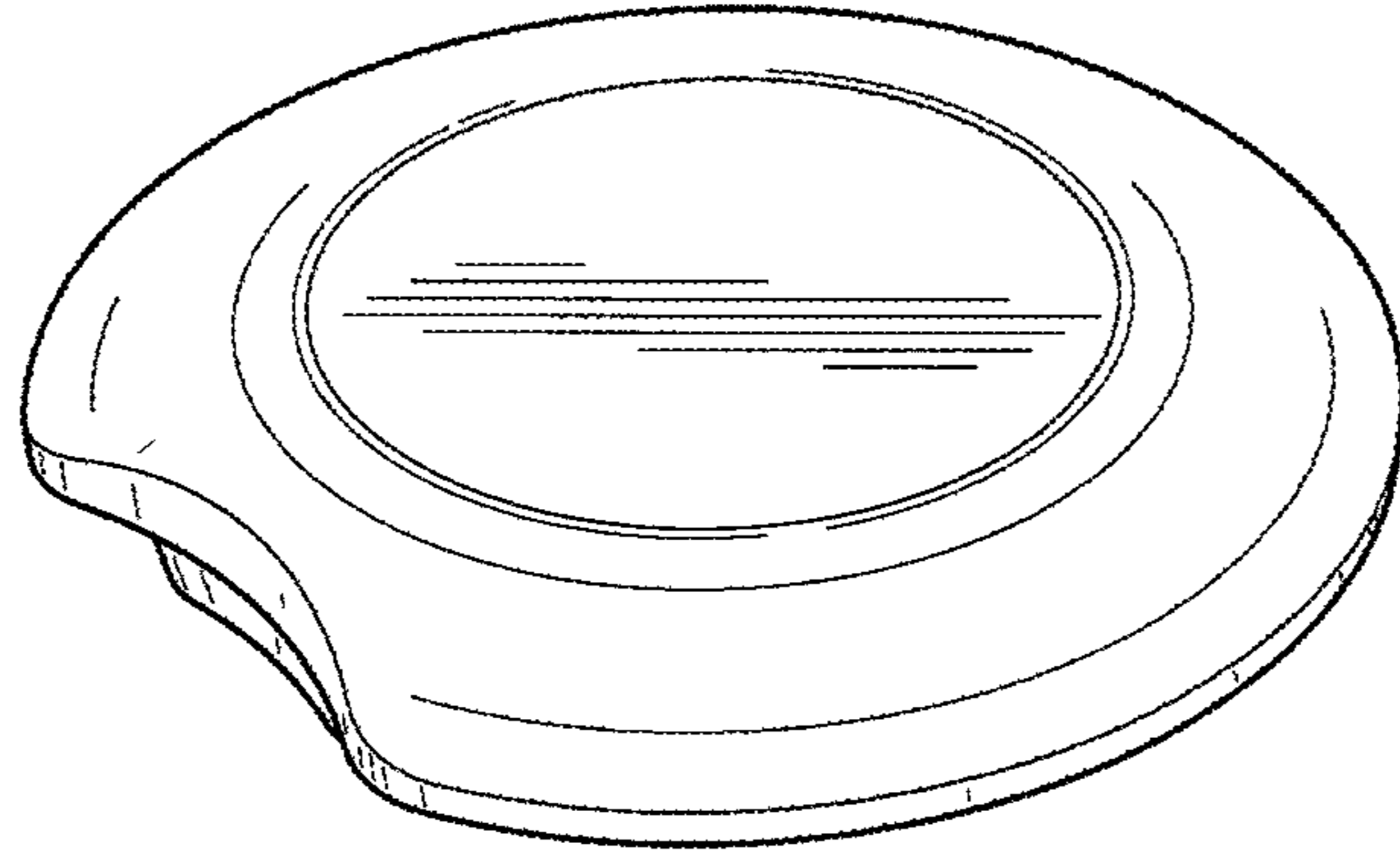


Fig. 55

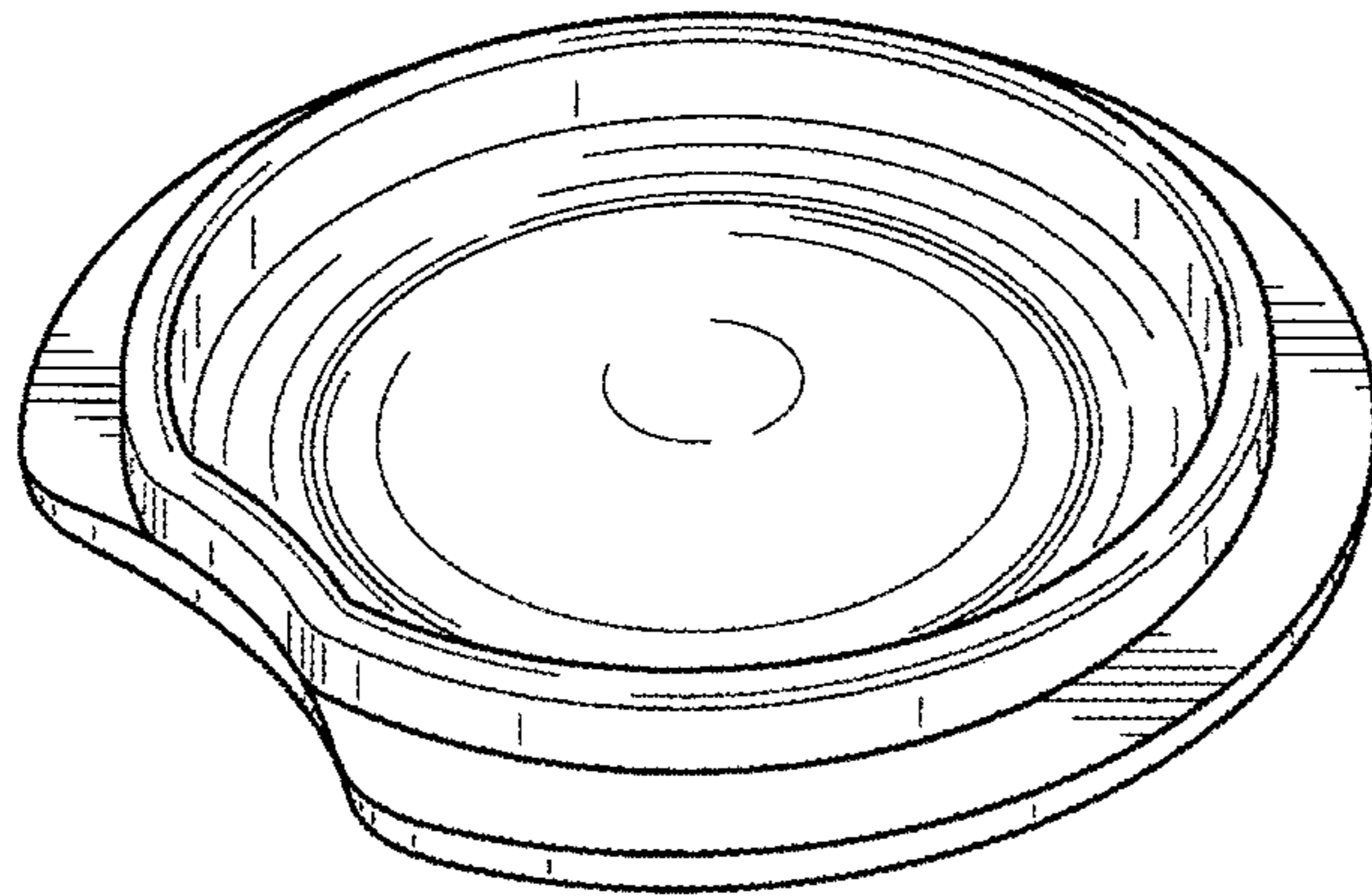


Fig. 56

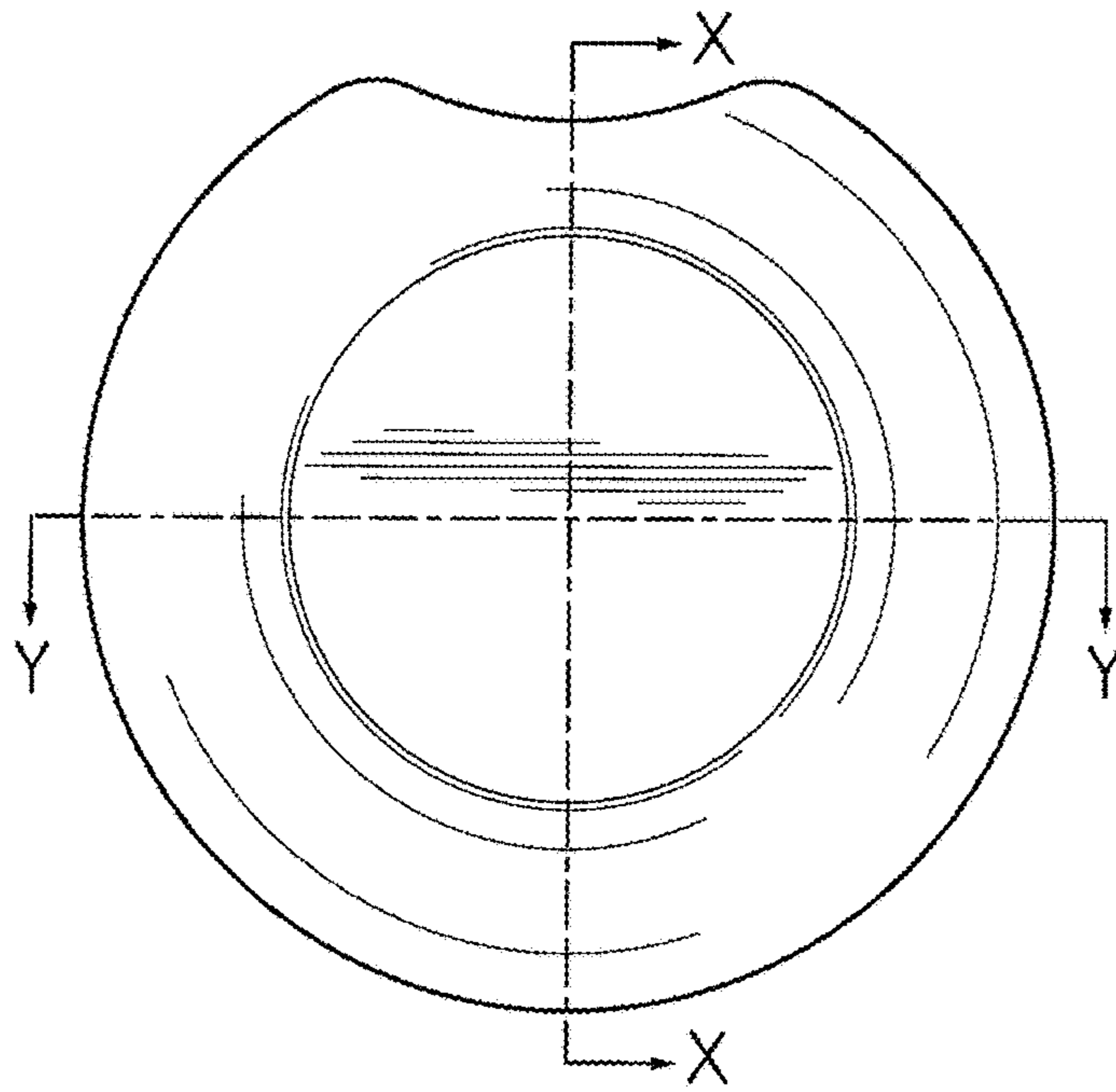


Fig. 57

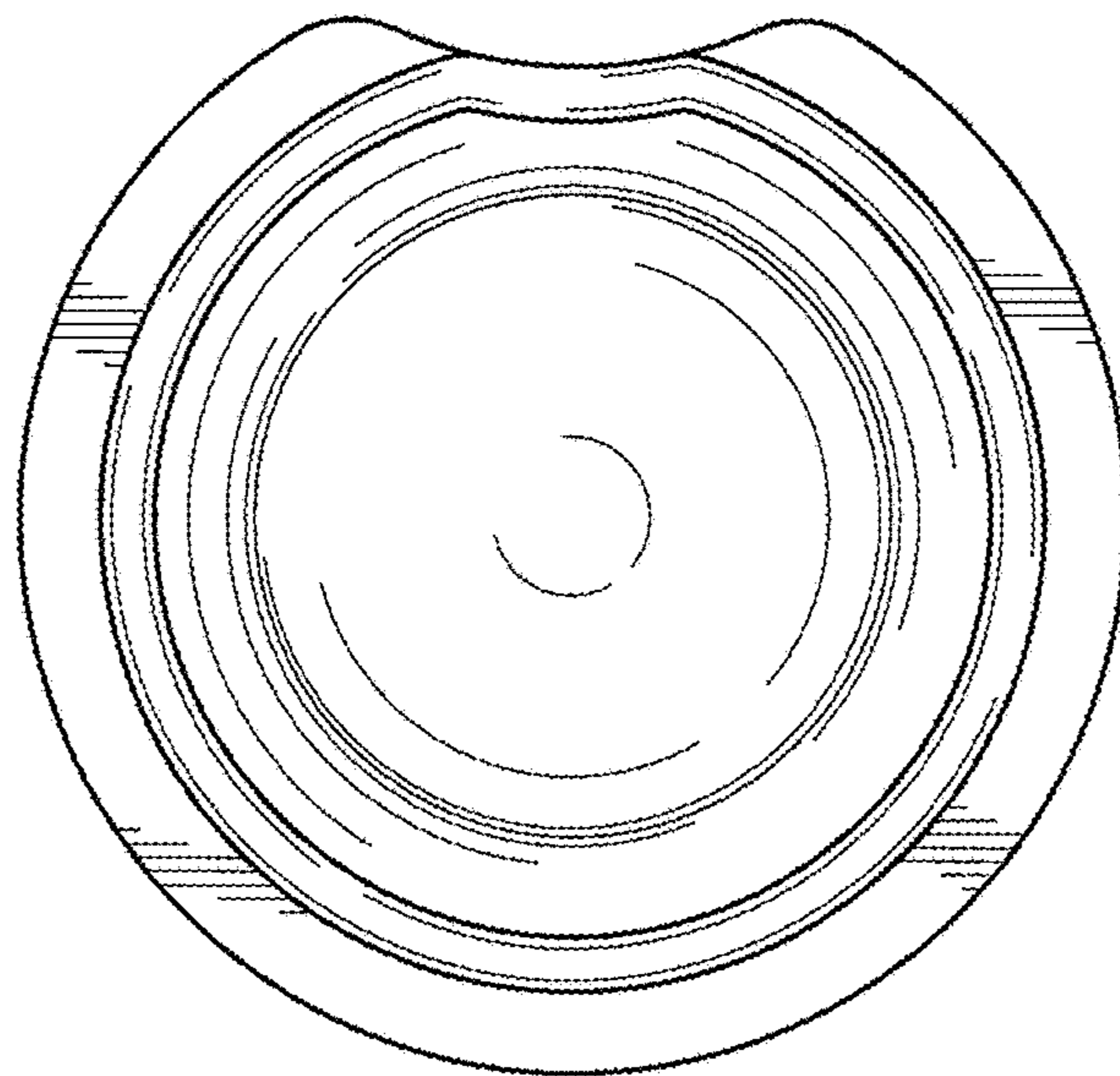


Fig. 58

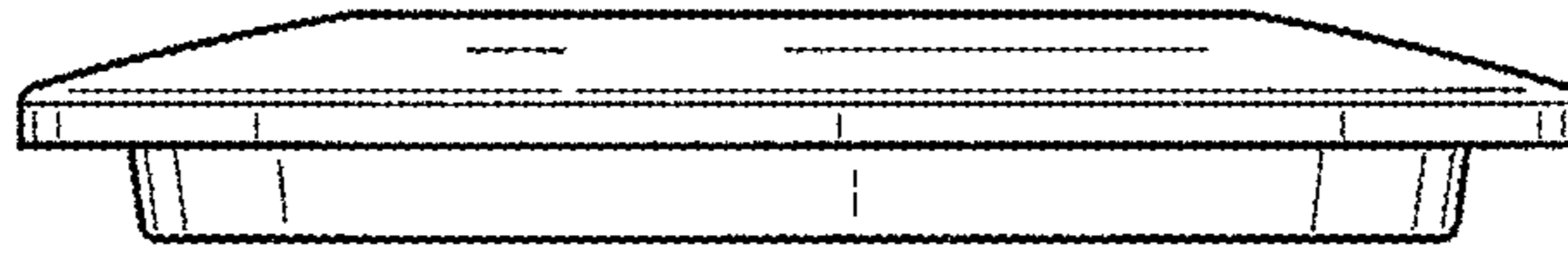


Fig. 59

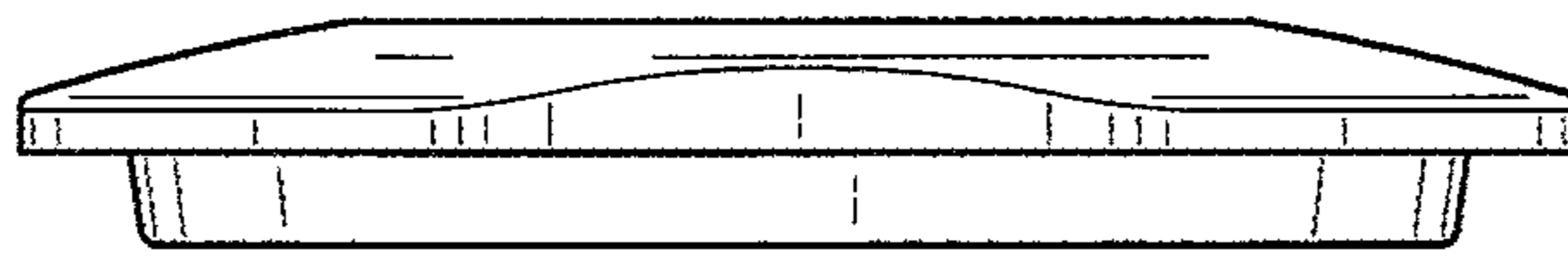


Fig. 60



Fig. 61

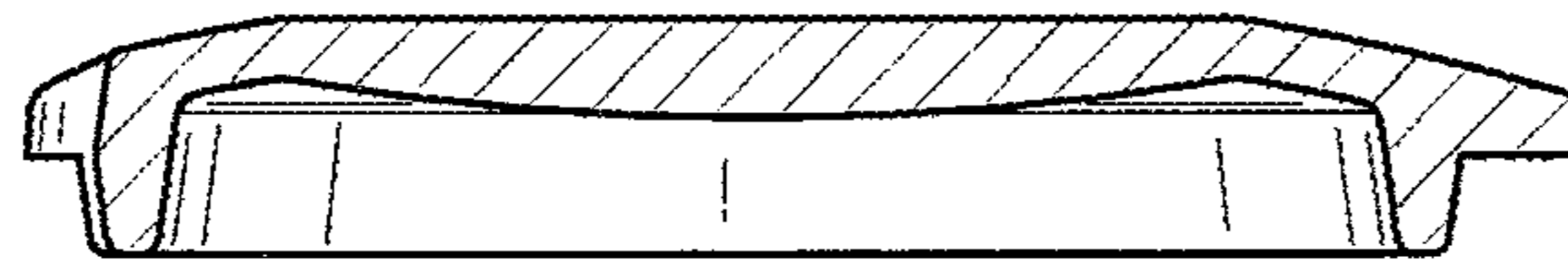


Fig. 62

X-X

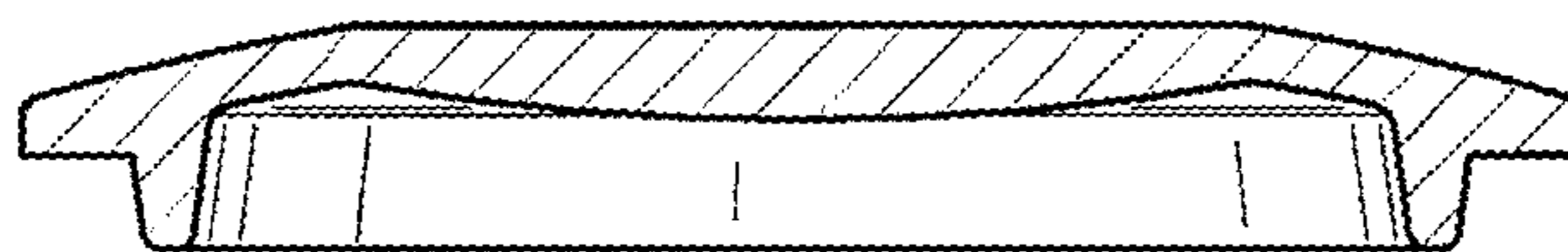


Fig. 63

Y-Y

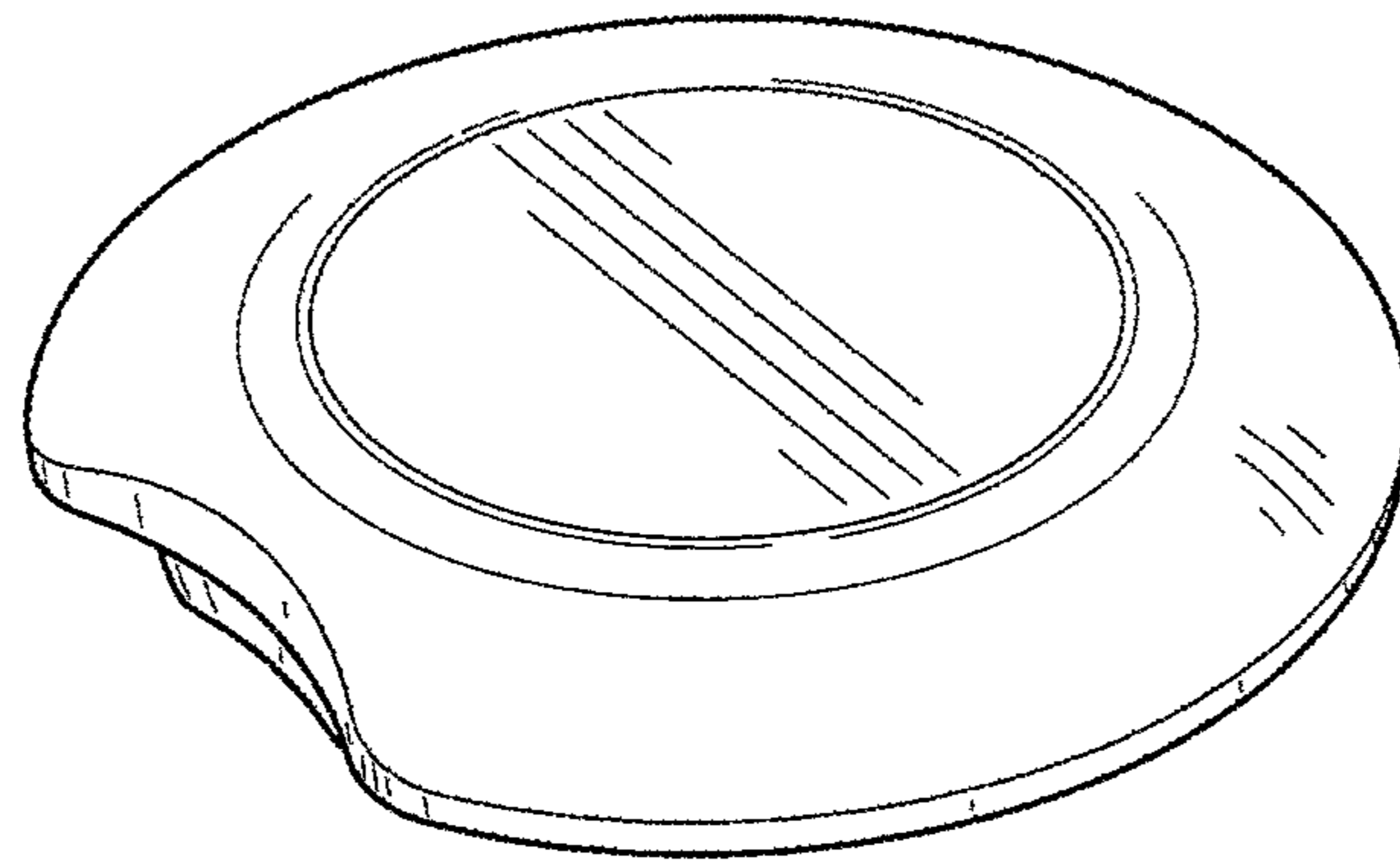


Fig. 64

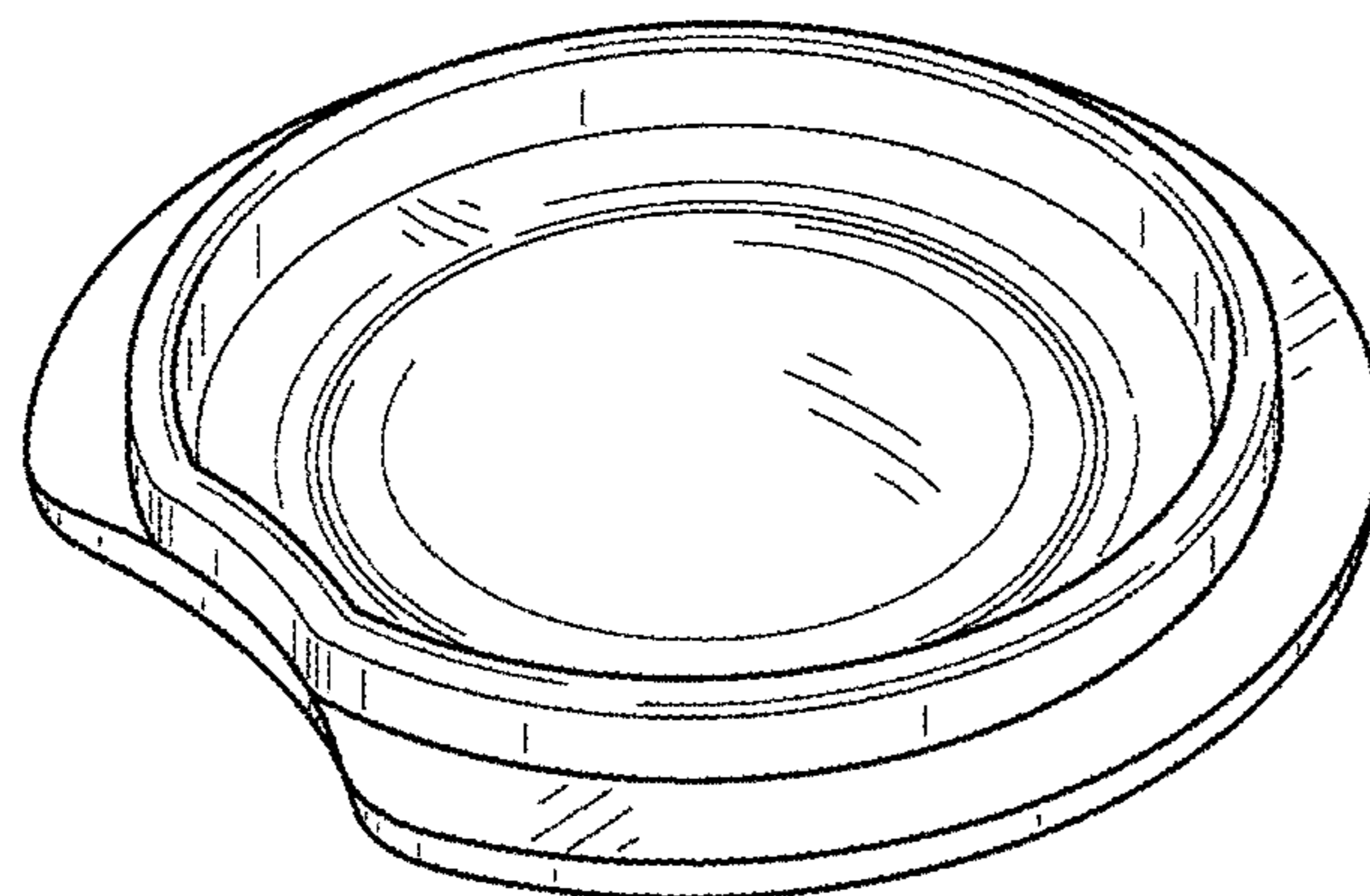


Fig. 65

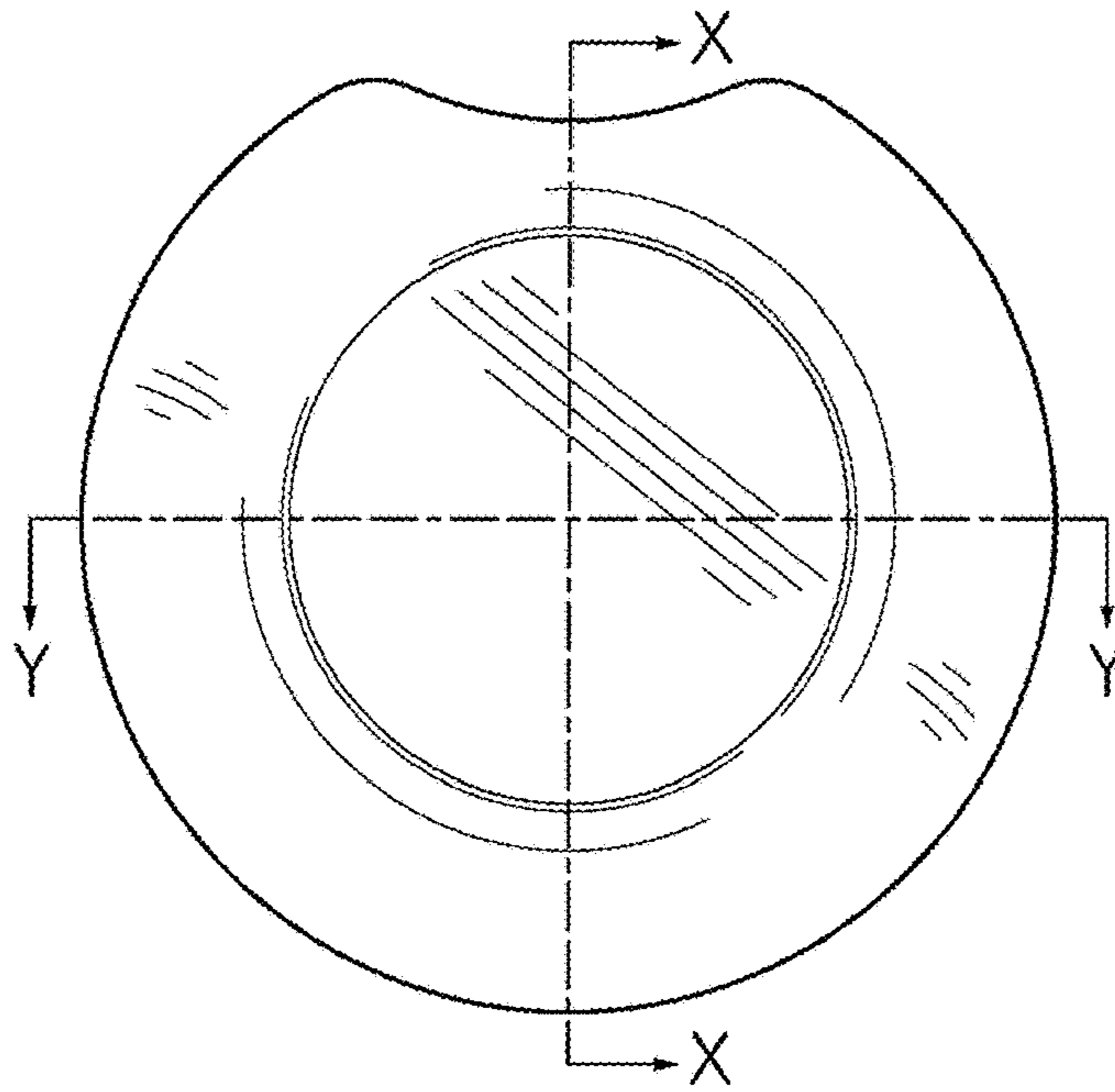


Fig. 66

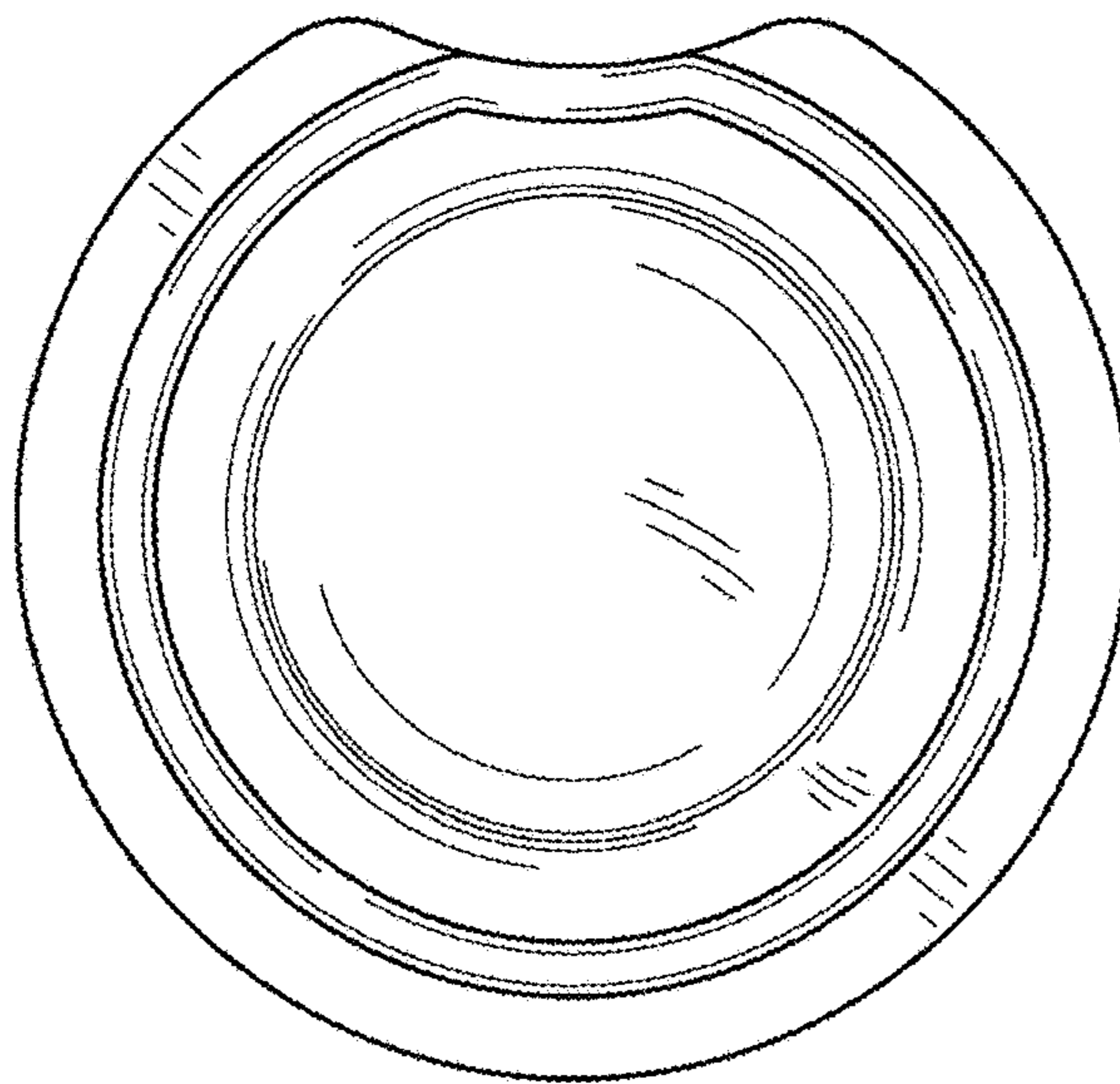


Fig. 67

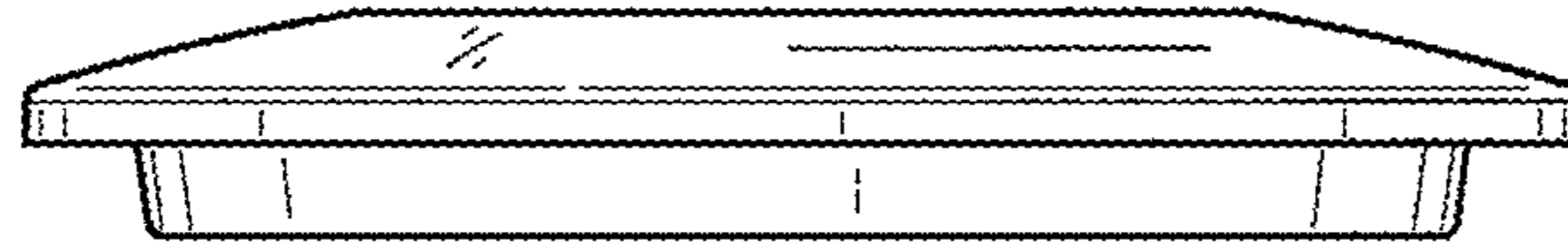


Fig. 68

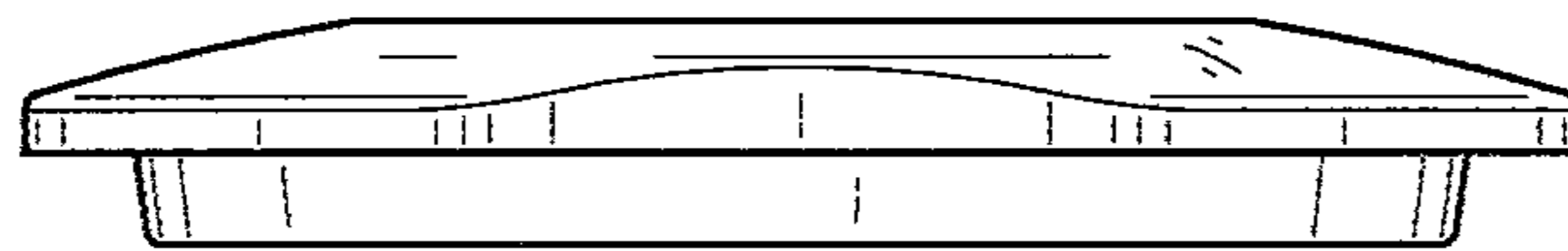


Fig. 69



Fig. 70

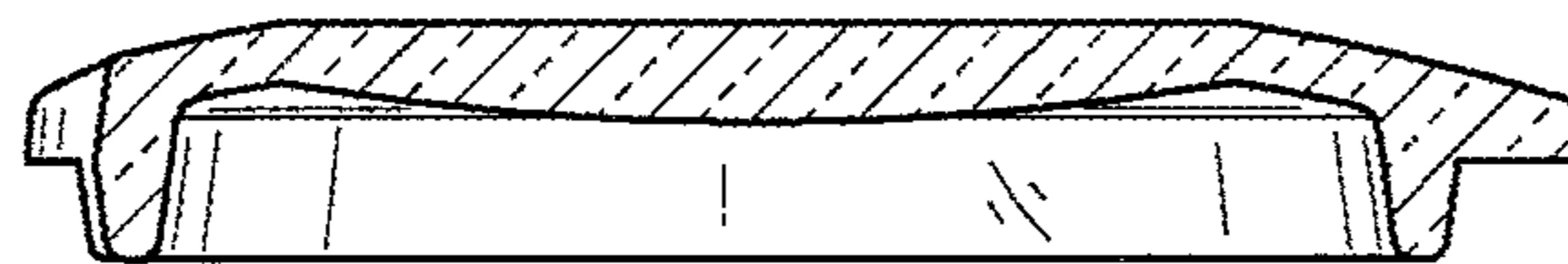


Fig. 71
X-X

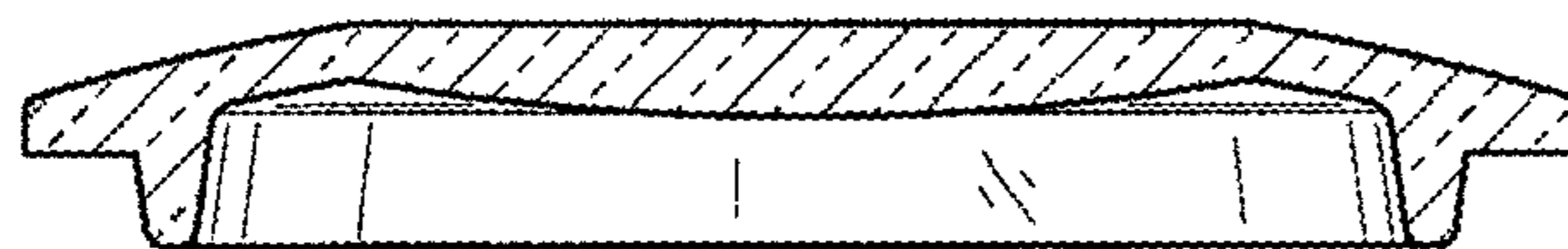


Fig. 72
Y-Y

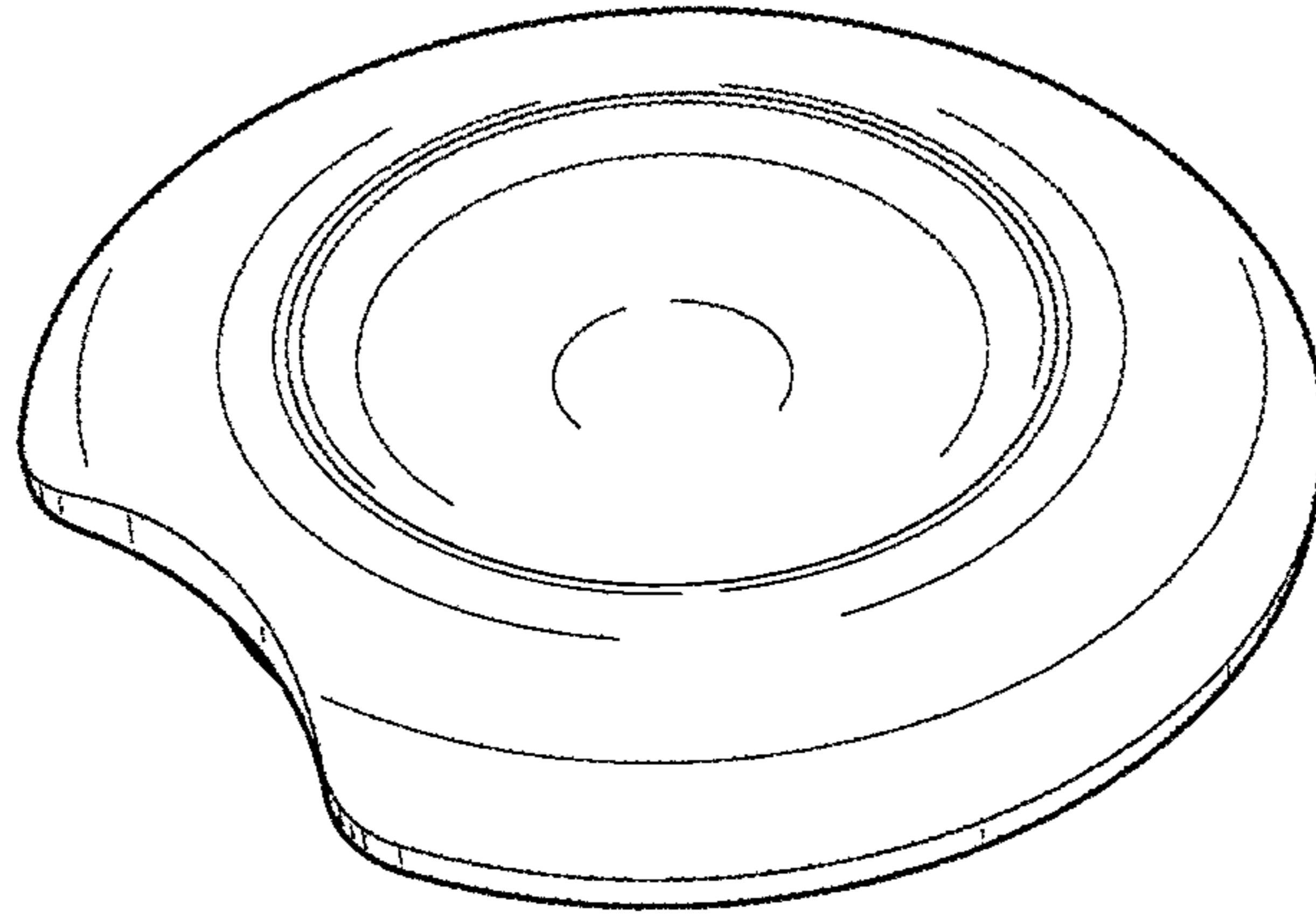


Fig. 73

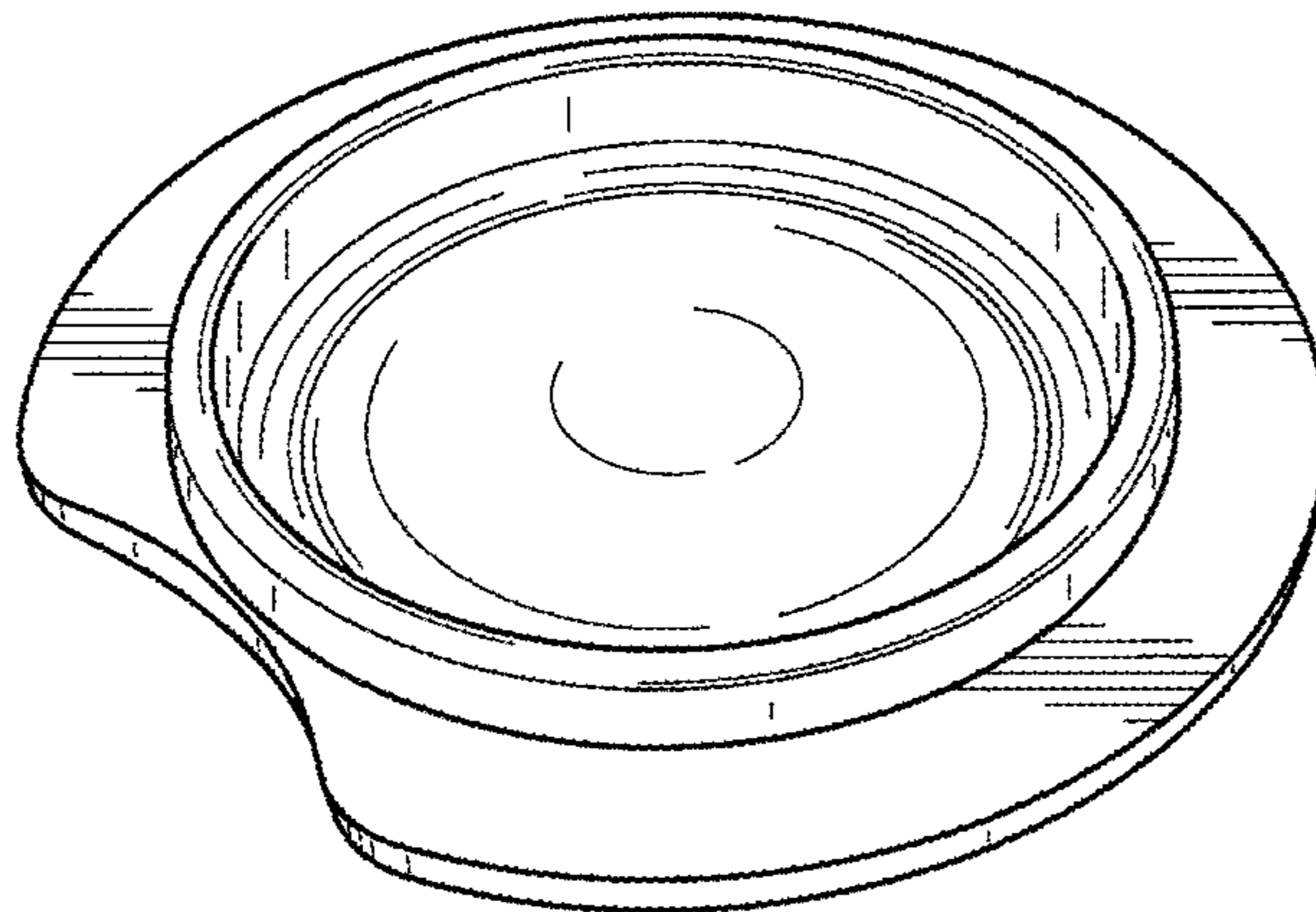


Fig. 74

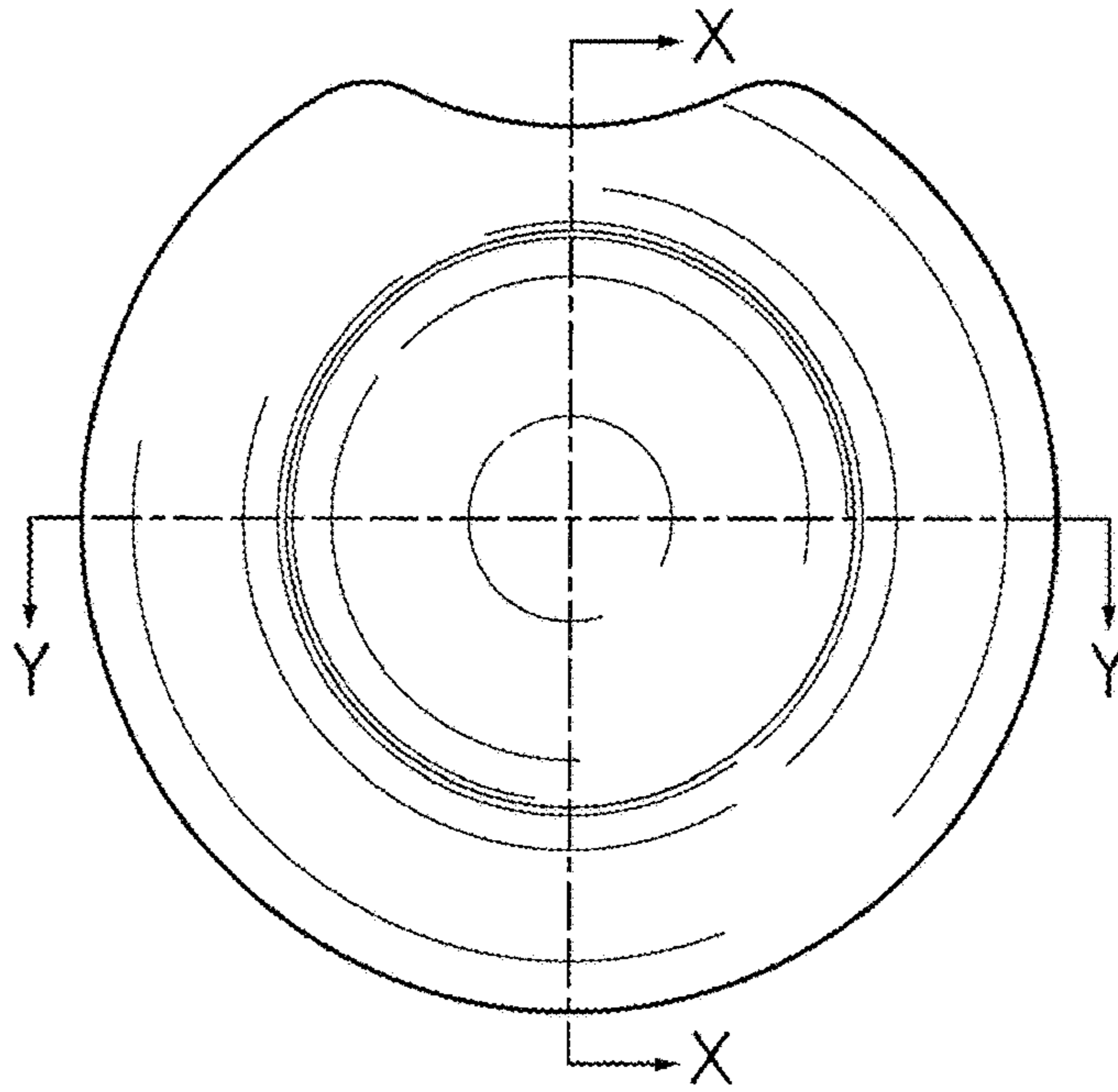


Fig. 75

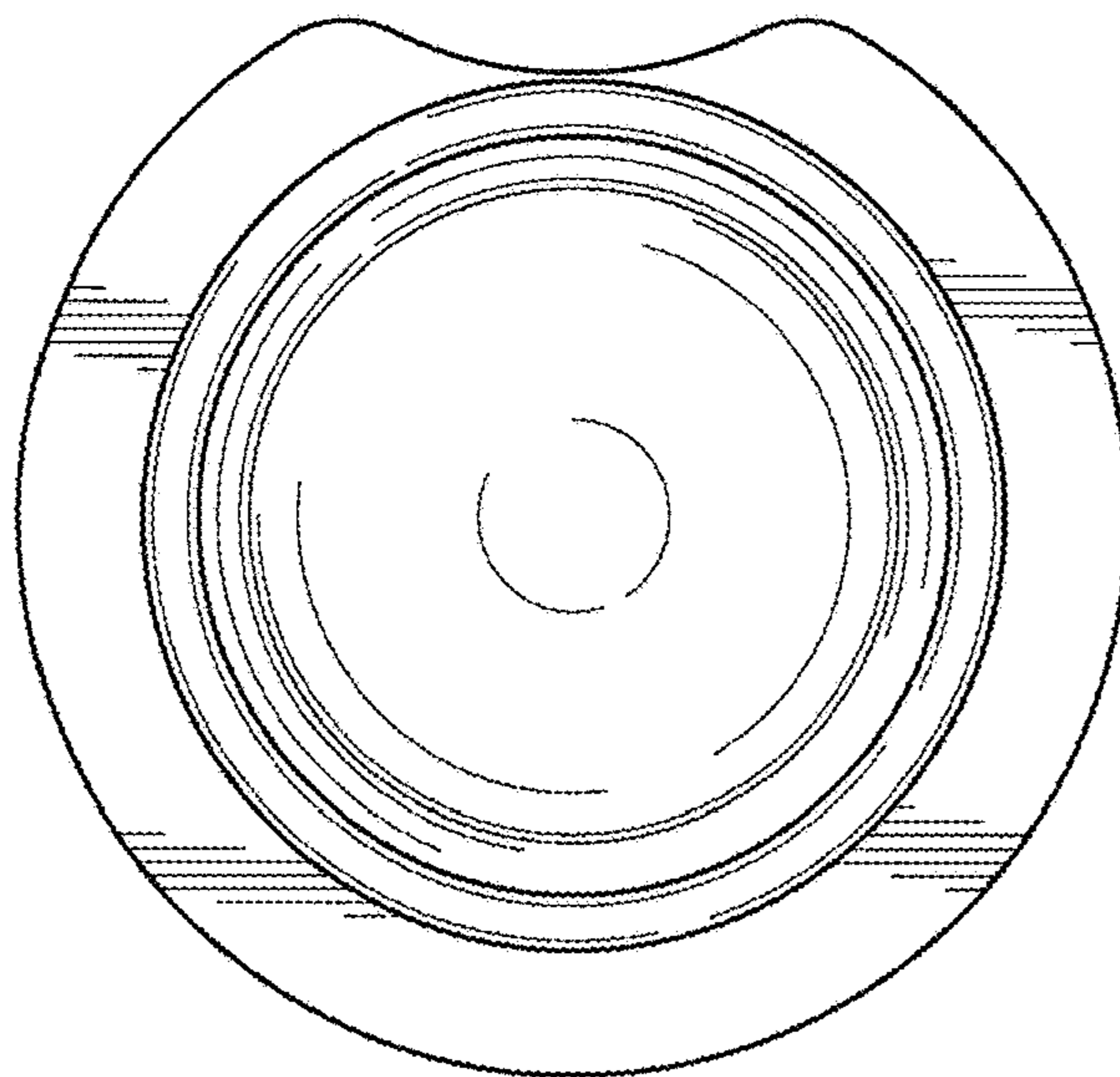


Fig. 76

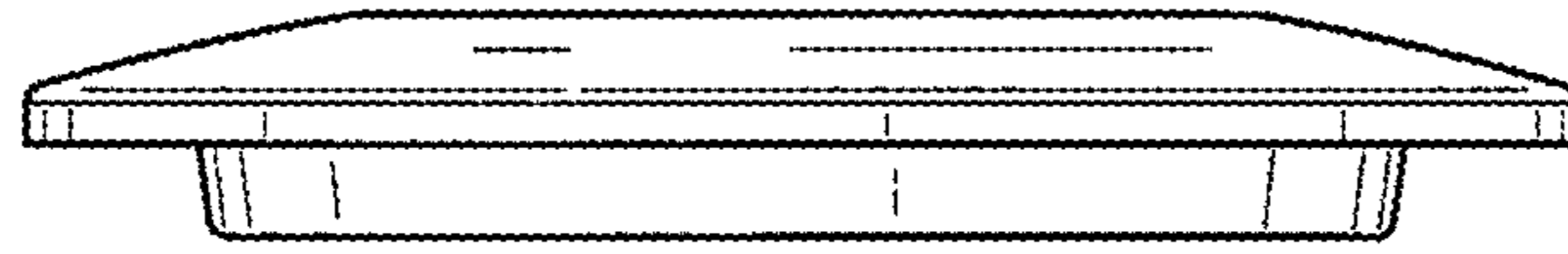


Fig. 77

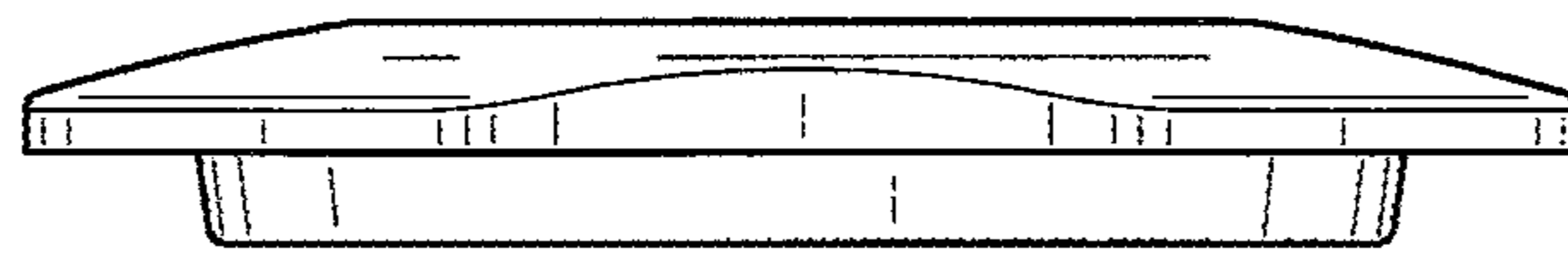


Fig. 78



Fig. 79

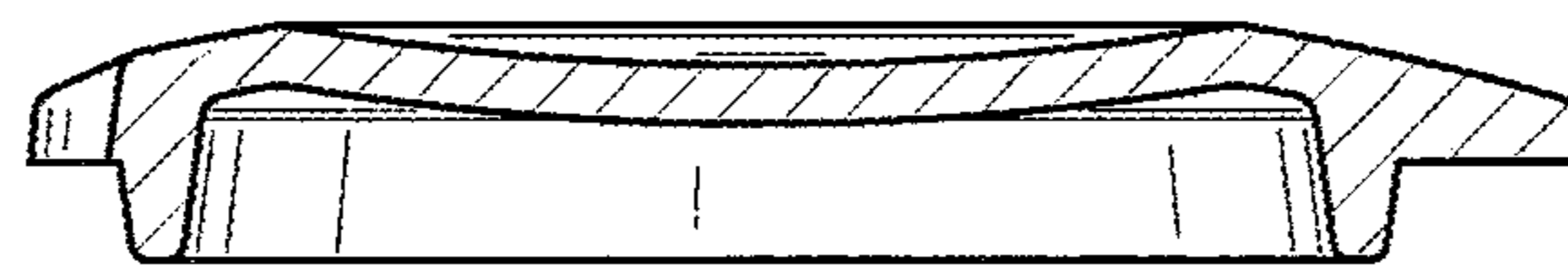


Fig. 80

X-X

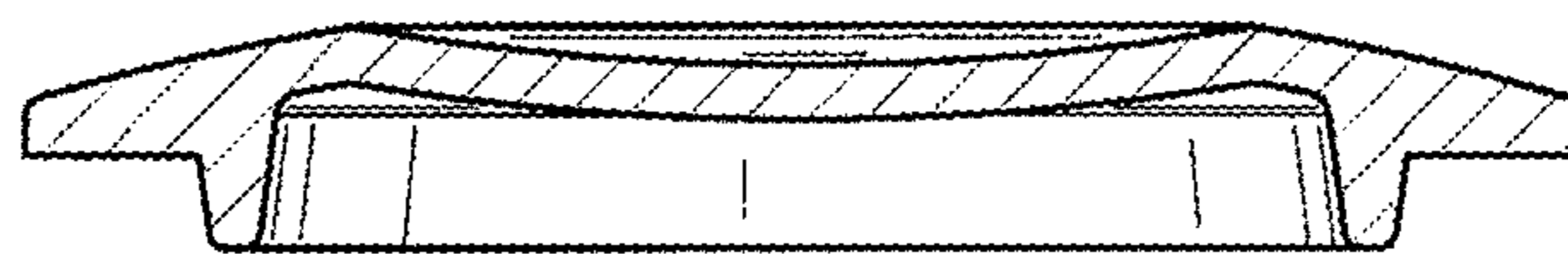


Fig. 81

Y-Y

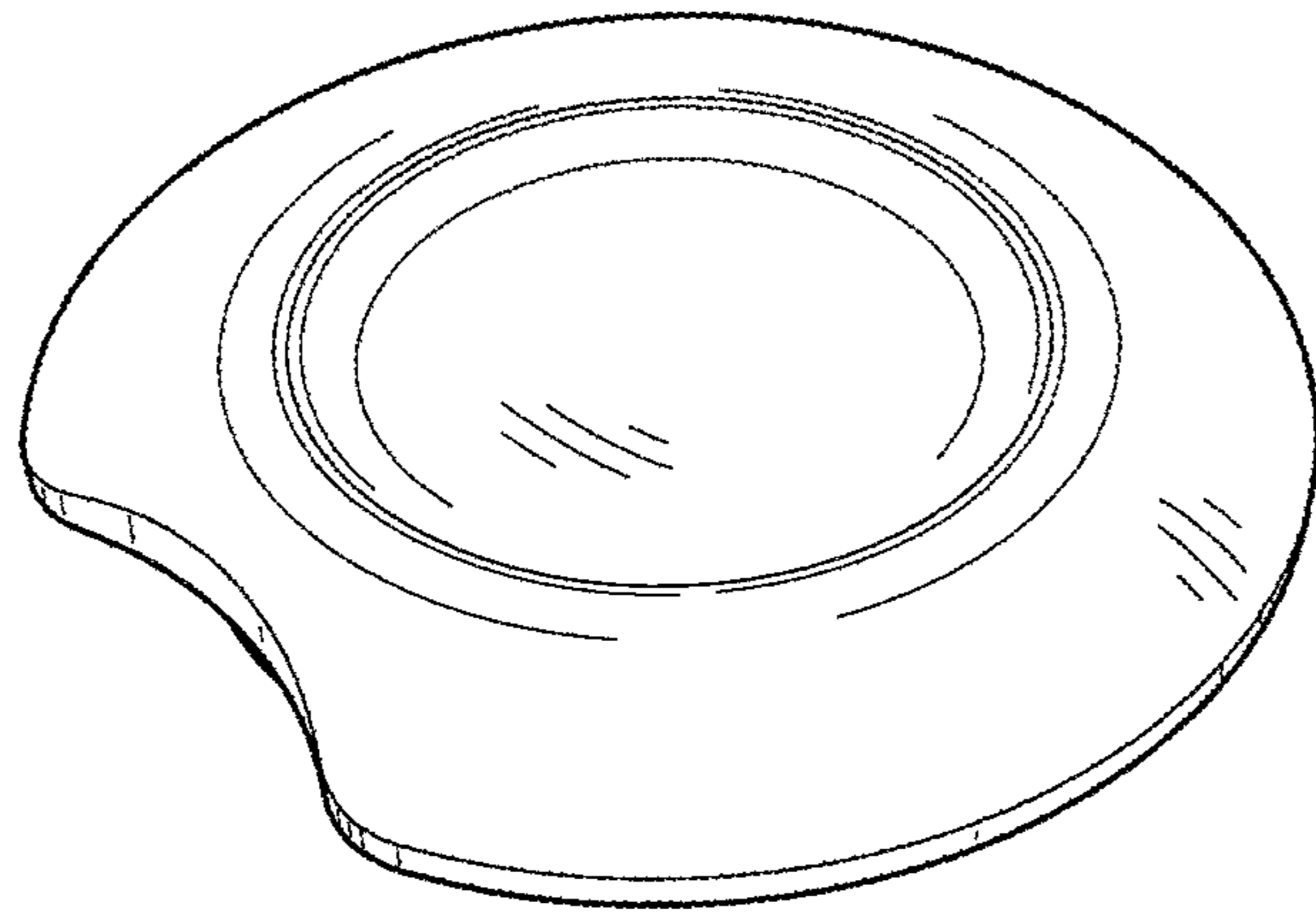


Fig. 82

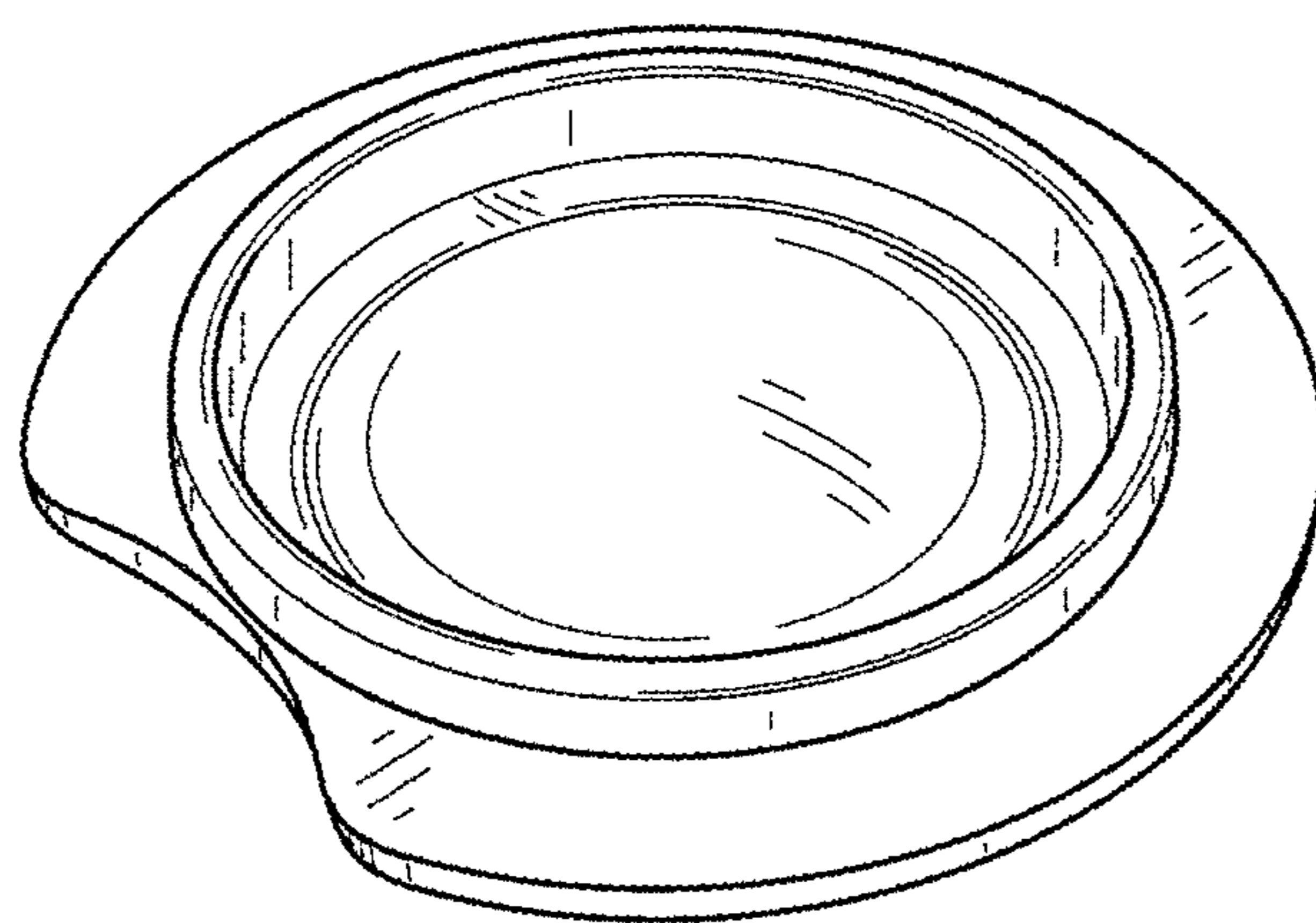


Fig. 83

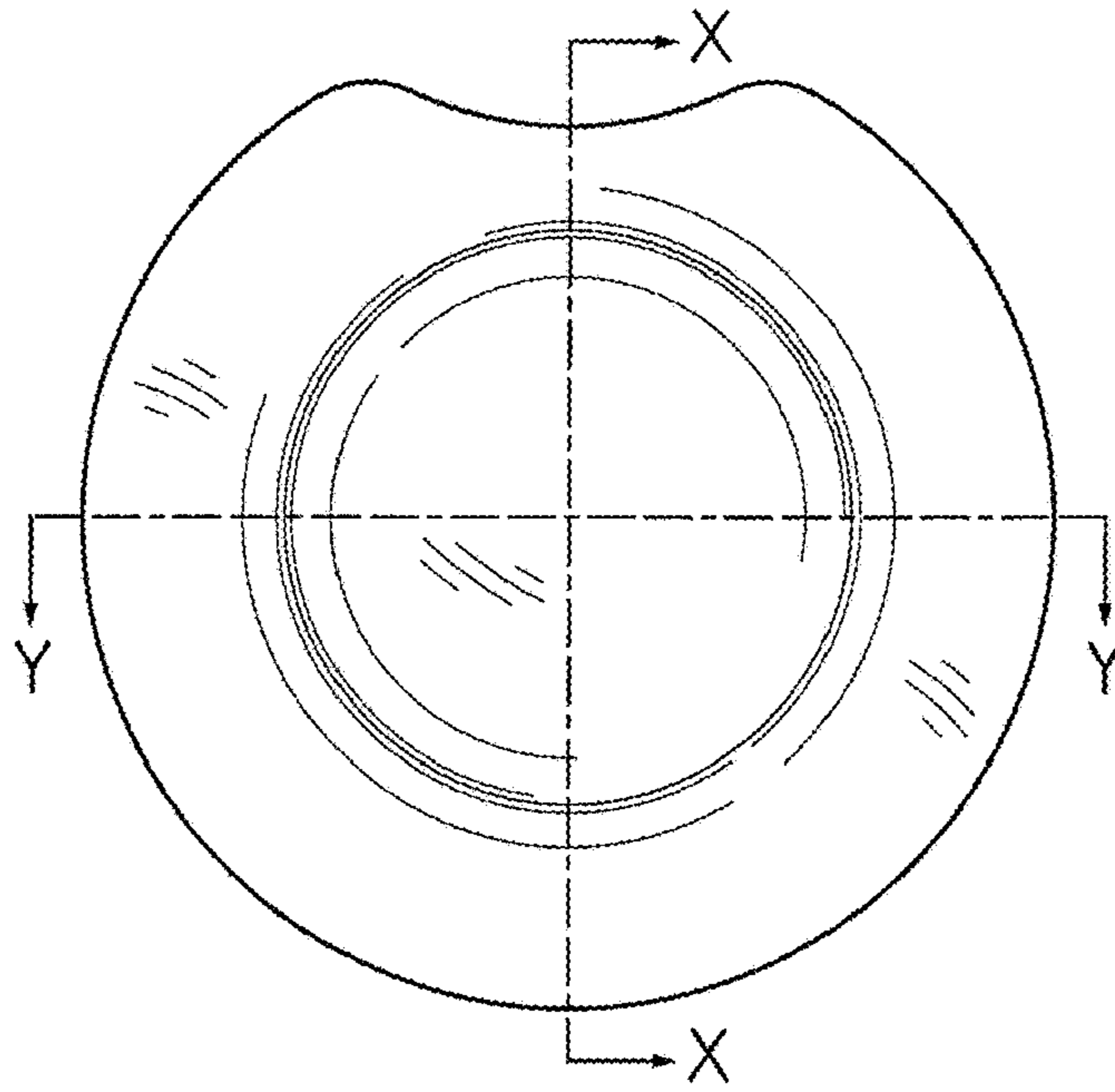


Fig. 84

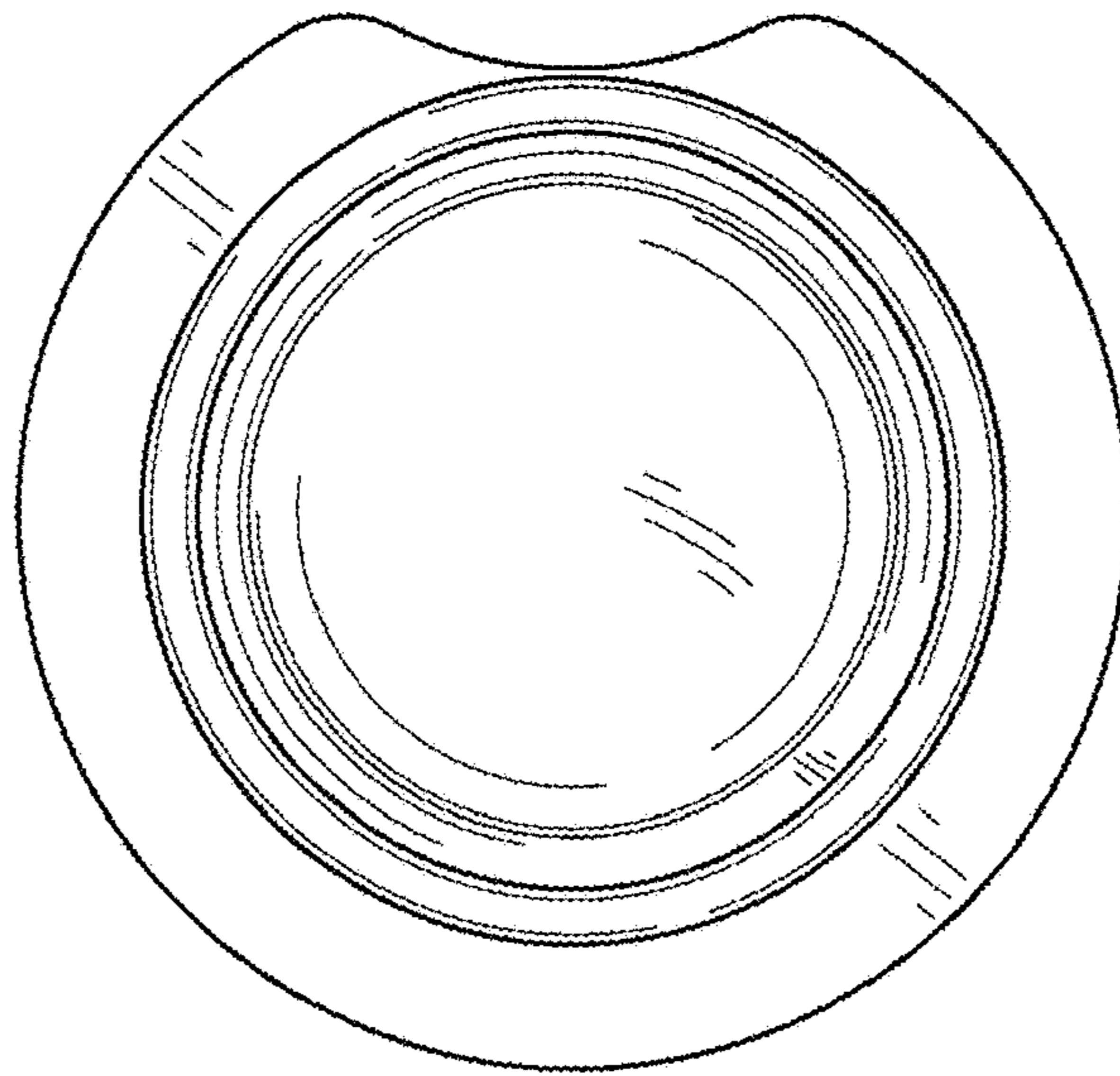


Fig. 85

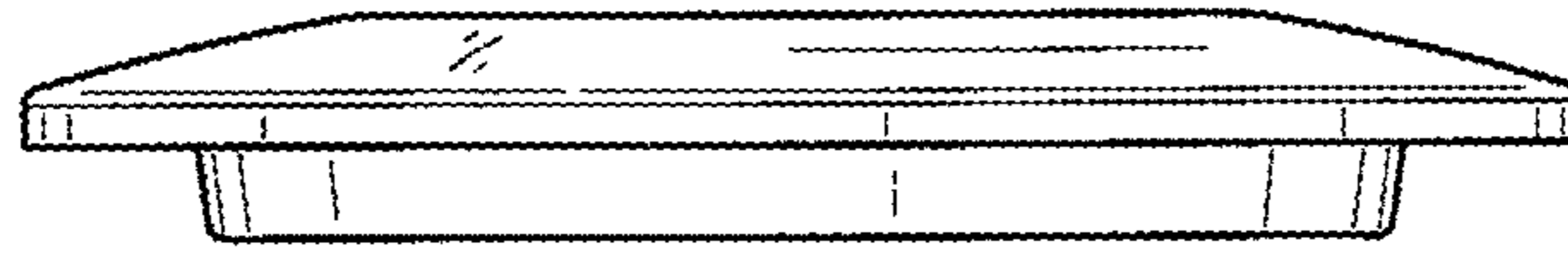


Fig. 86

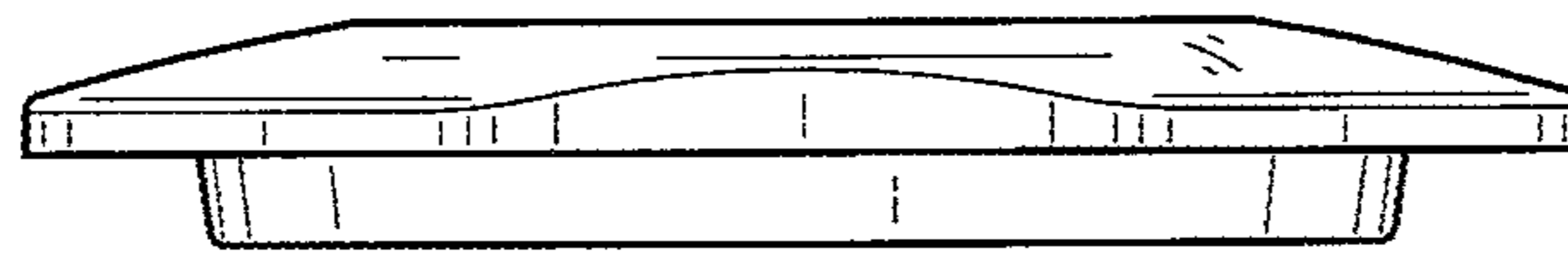


Fig. 87

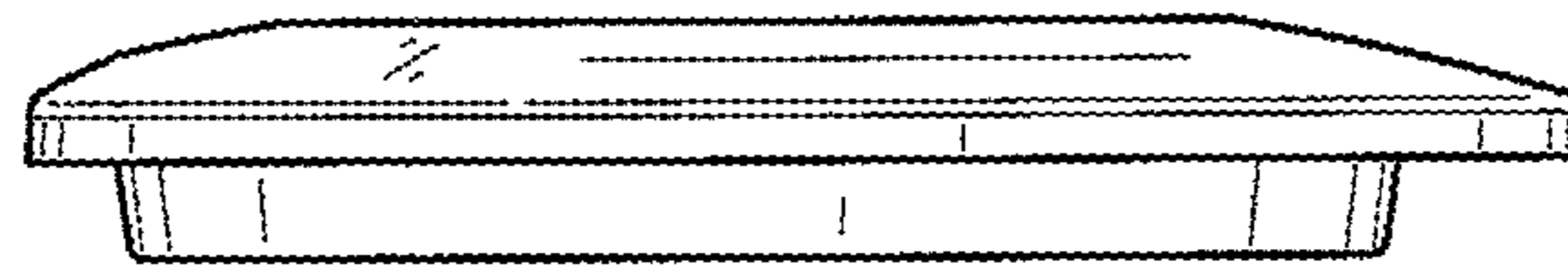


Fig. 88

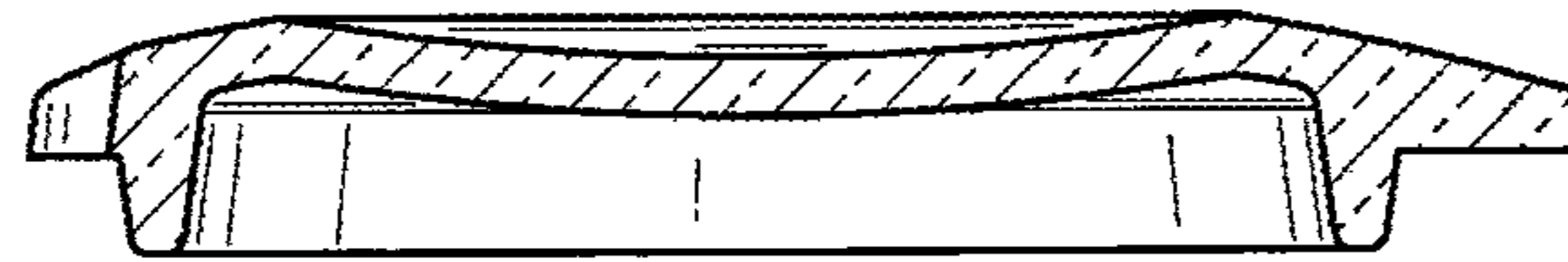


Fig. 89
X-X

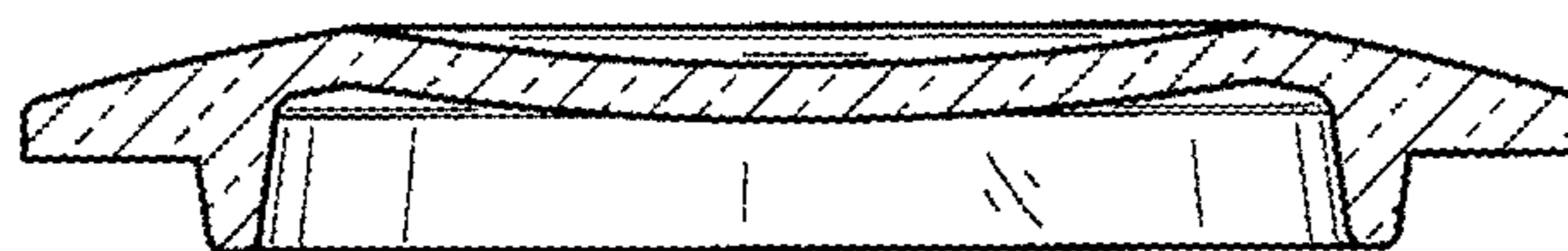


Fig. 90
Y-Y

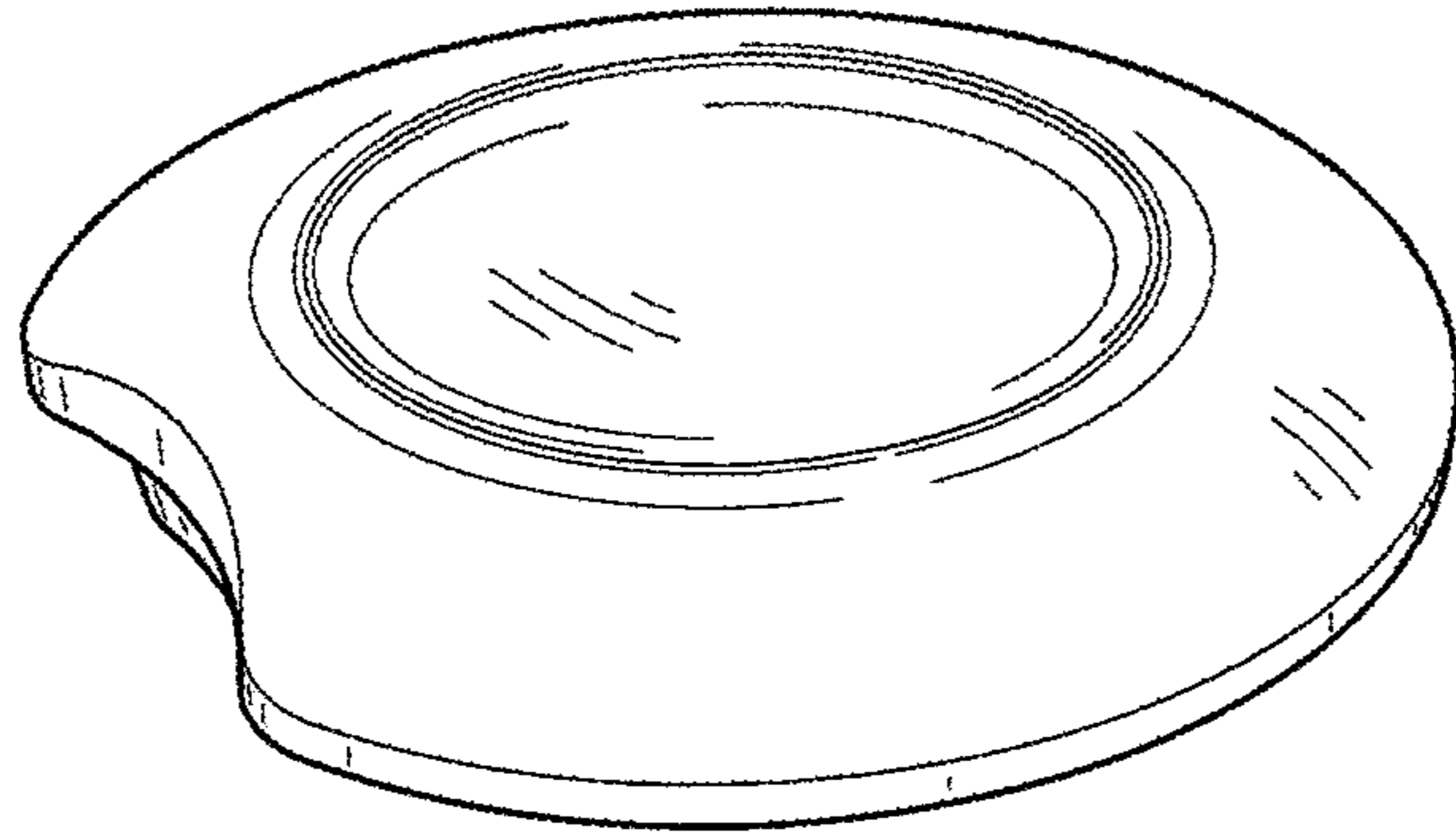


Fig. 91

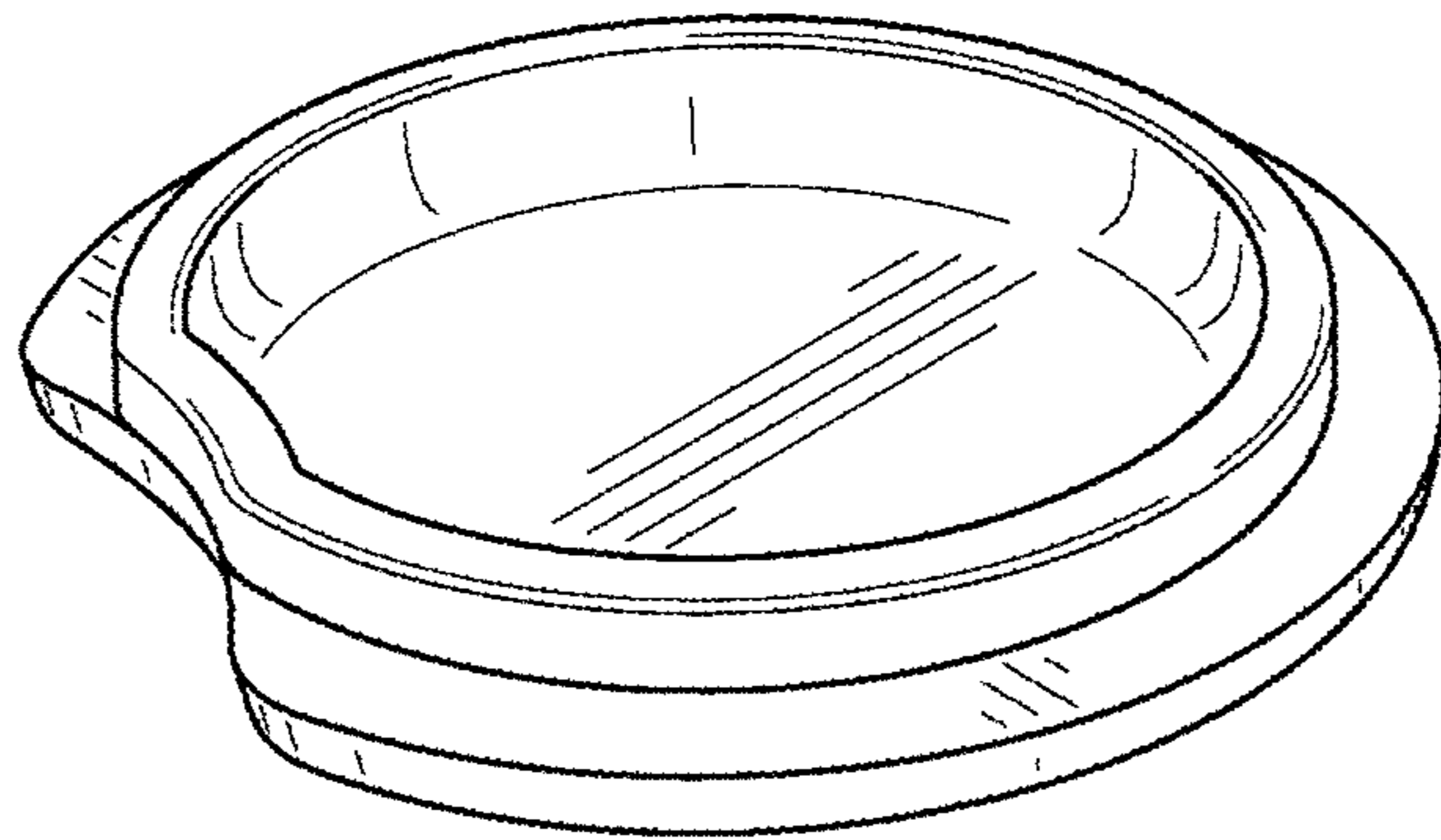


Fig. 92

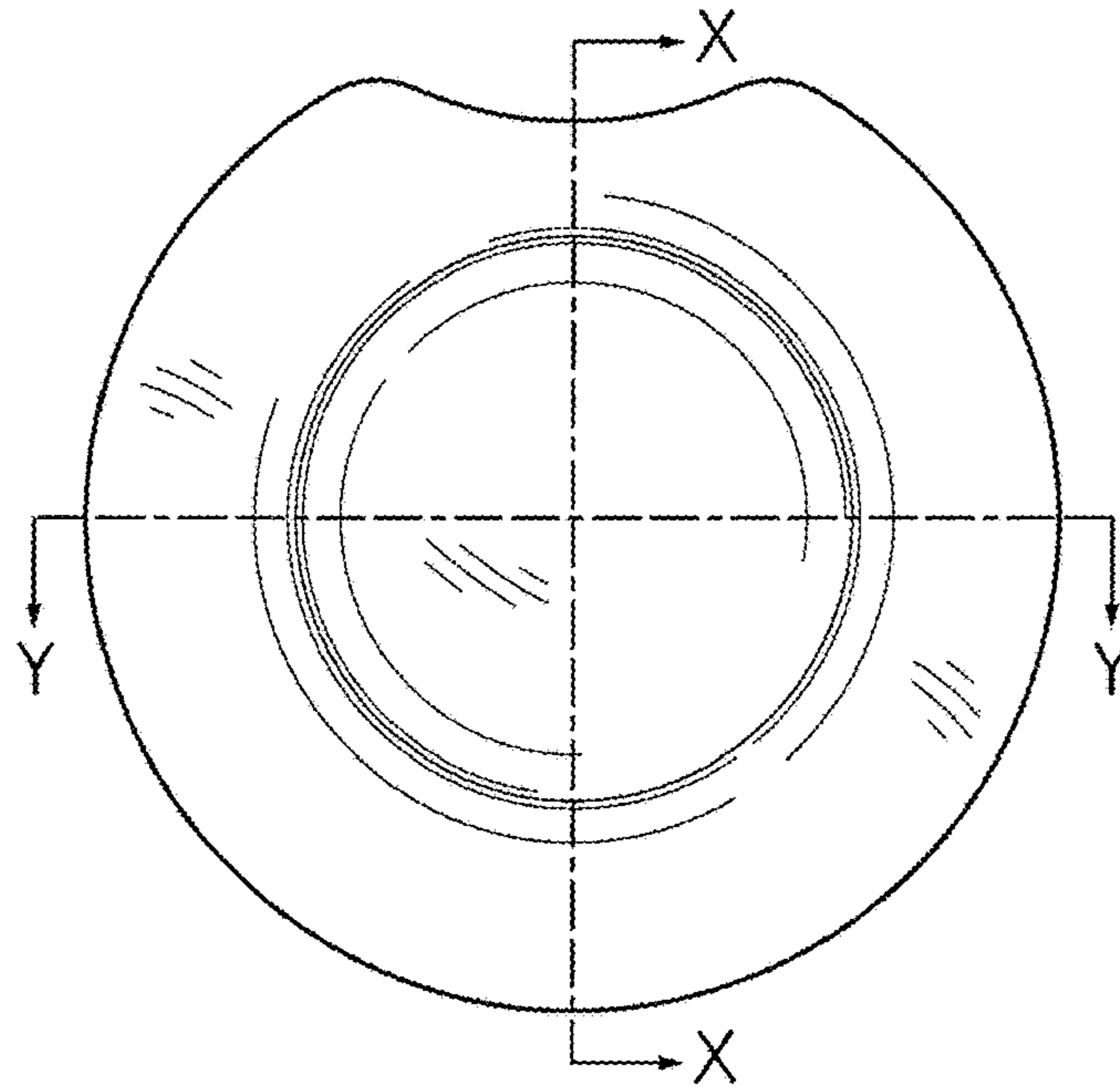


Fig. 93

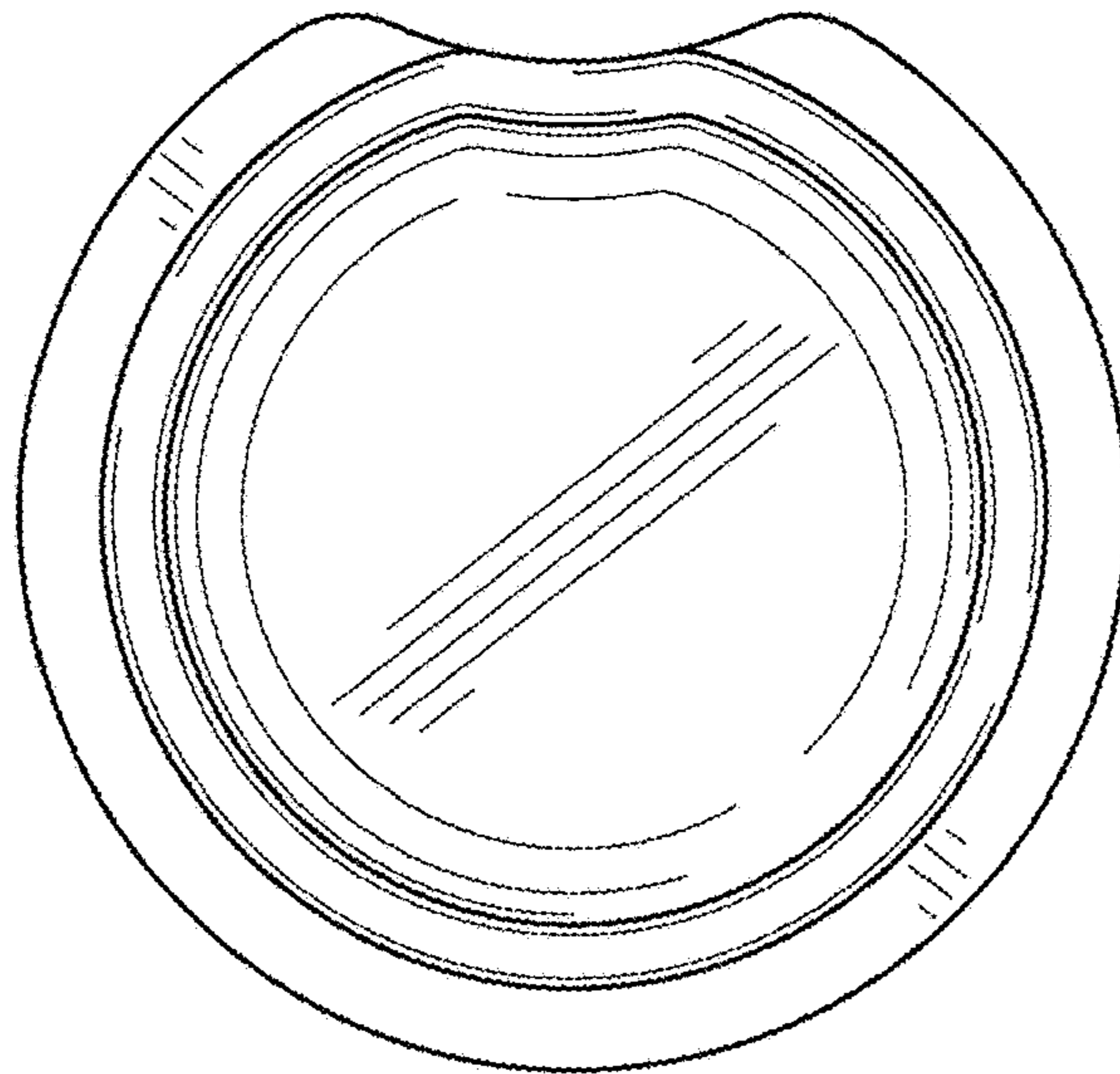


Fig. 94

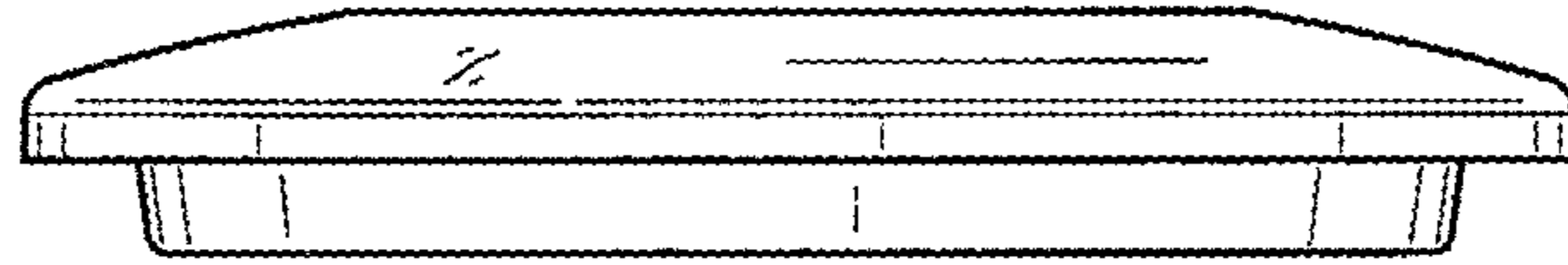


Fig. 95

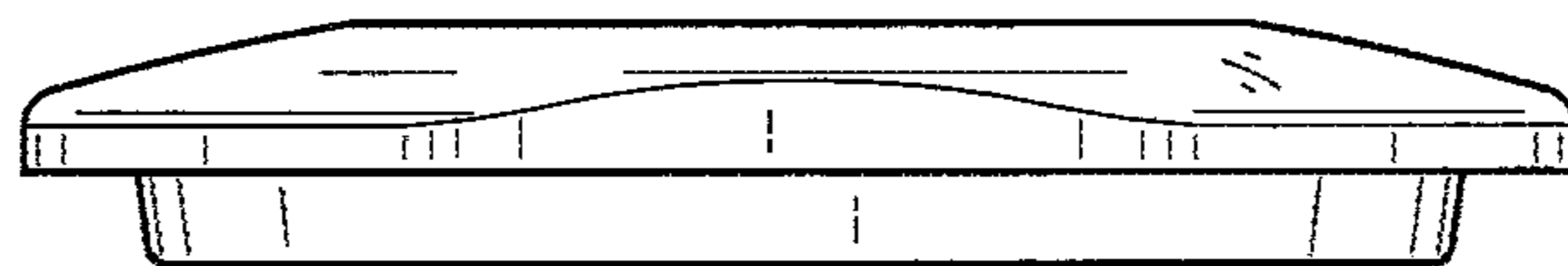


Fig. 96



Fig. 97

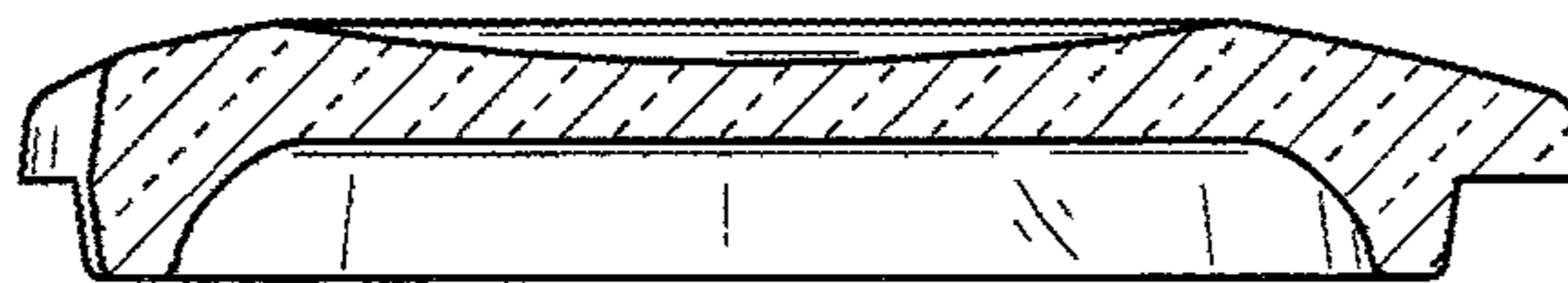


Fig. 98

X-X

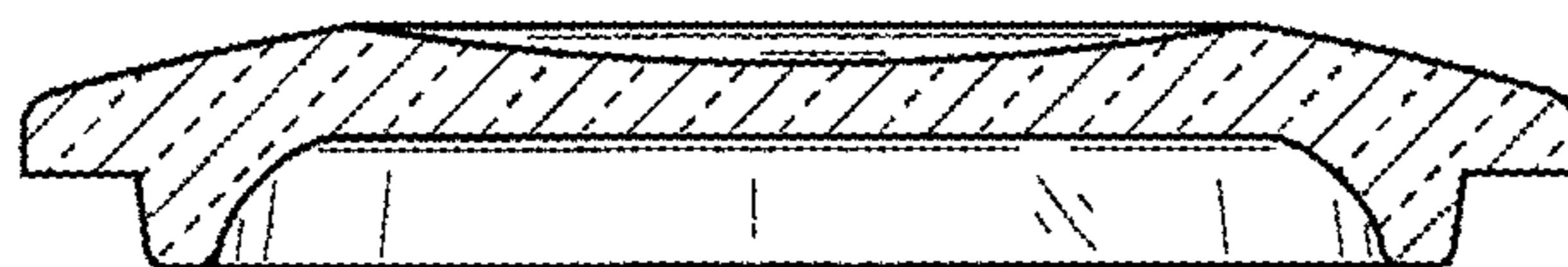


Fig. 99

Y-Y

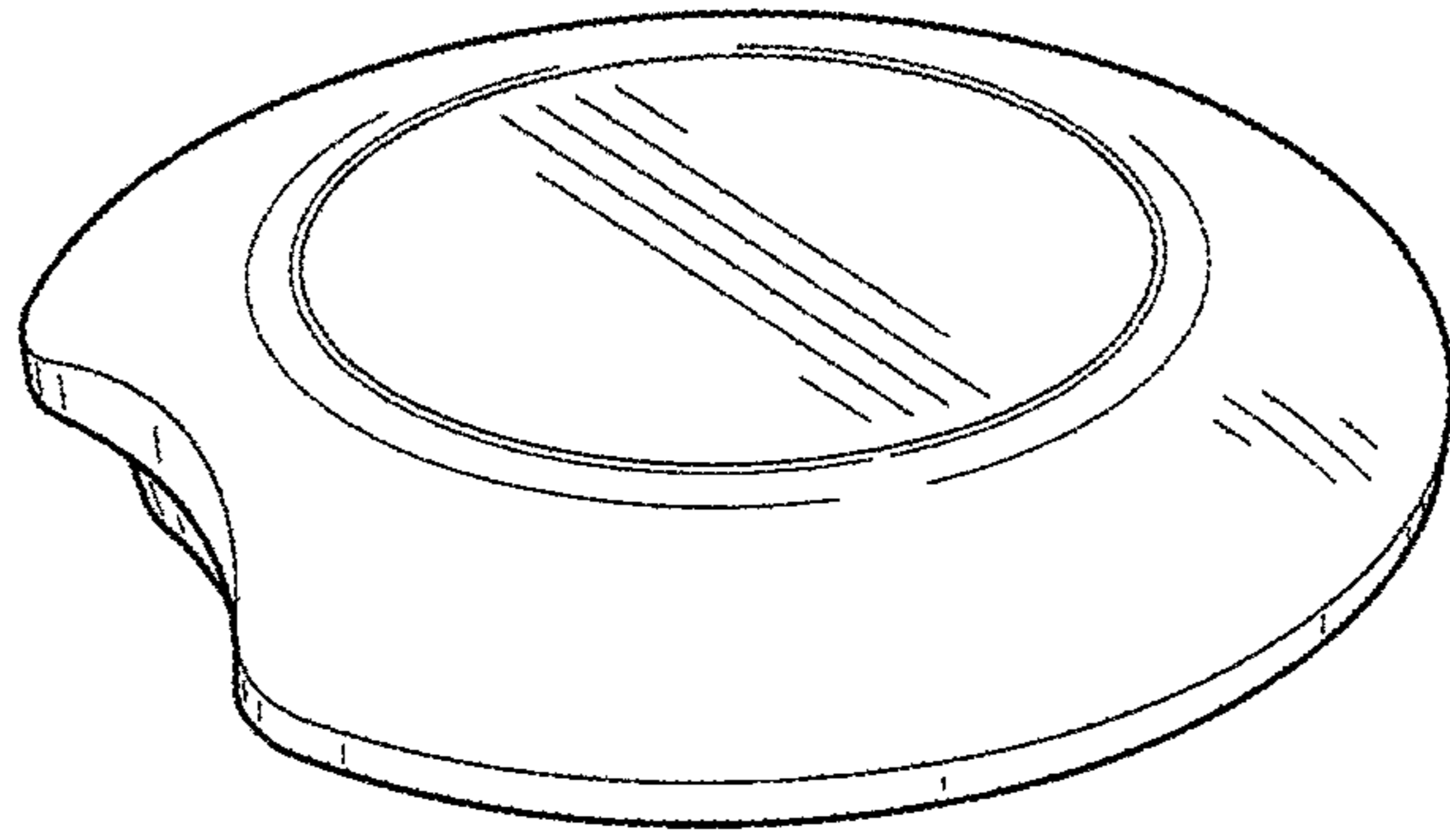


Fig. 100

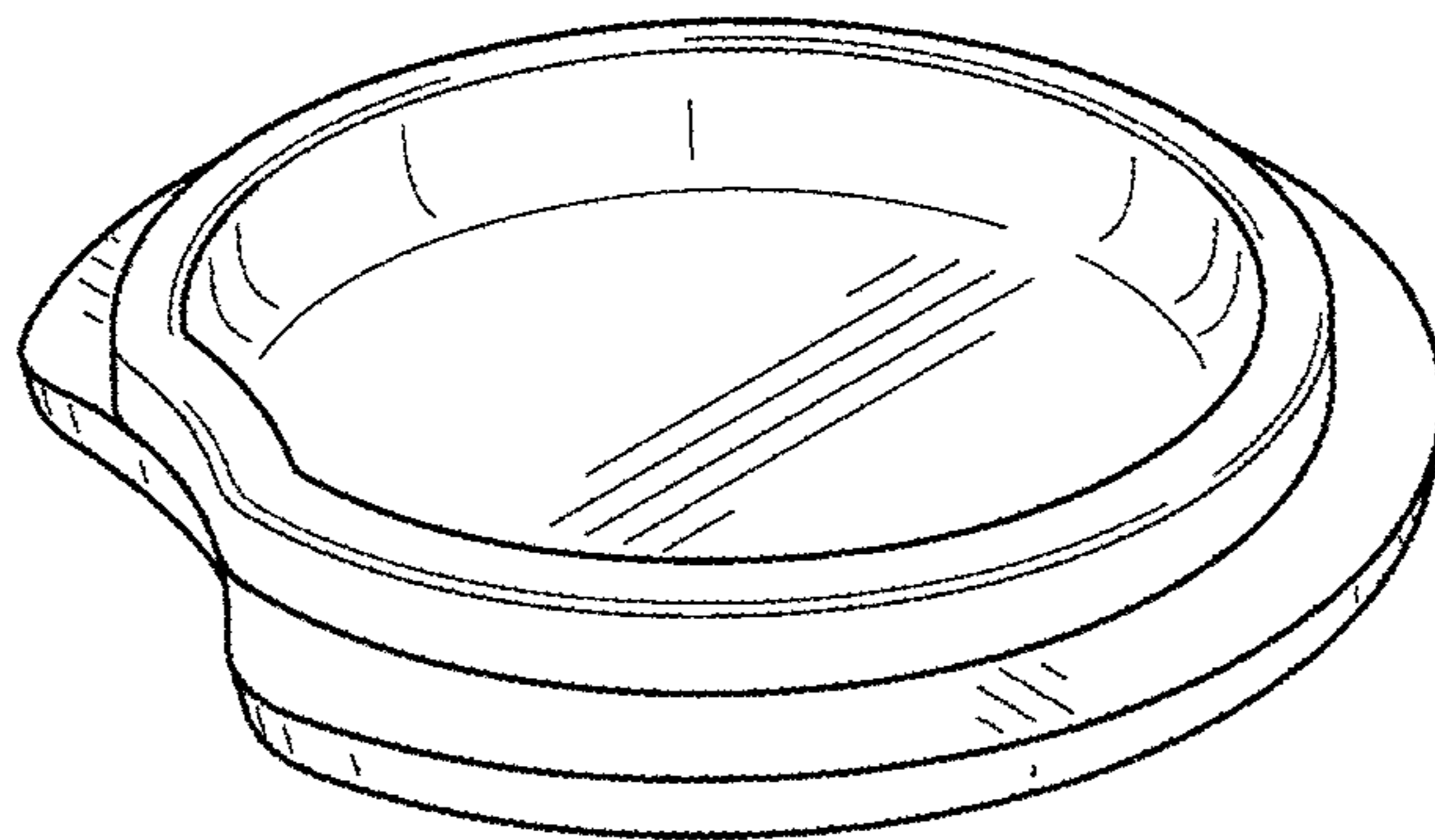


Fig. 101

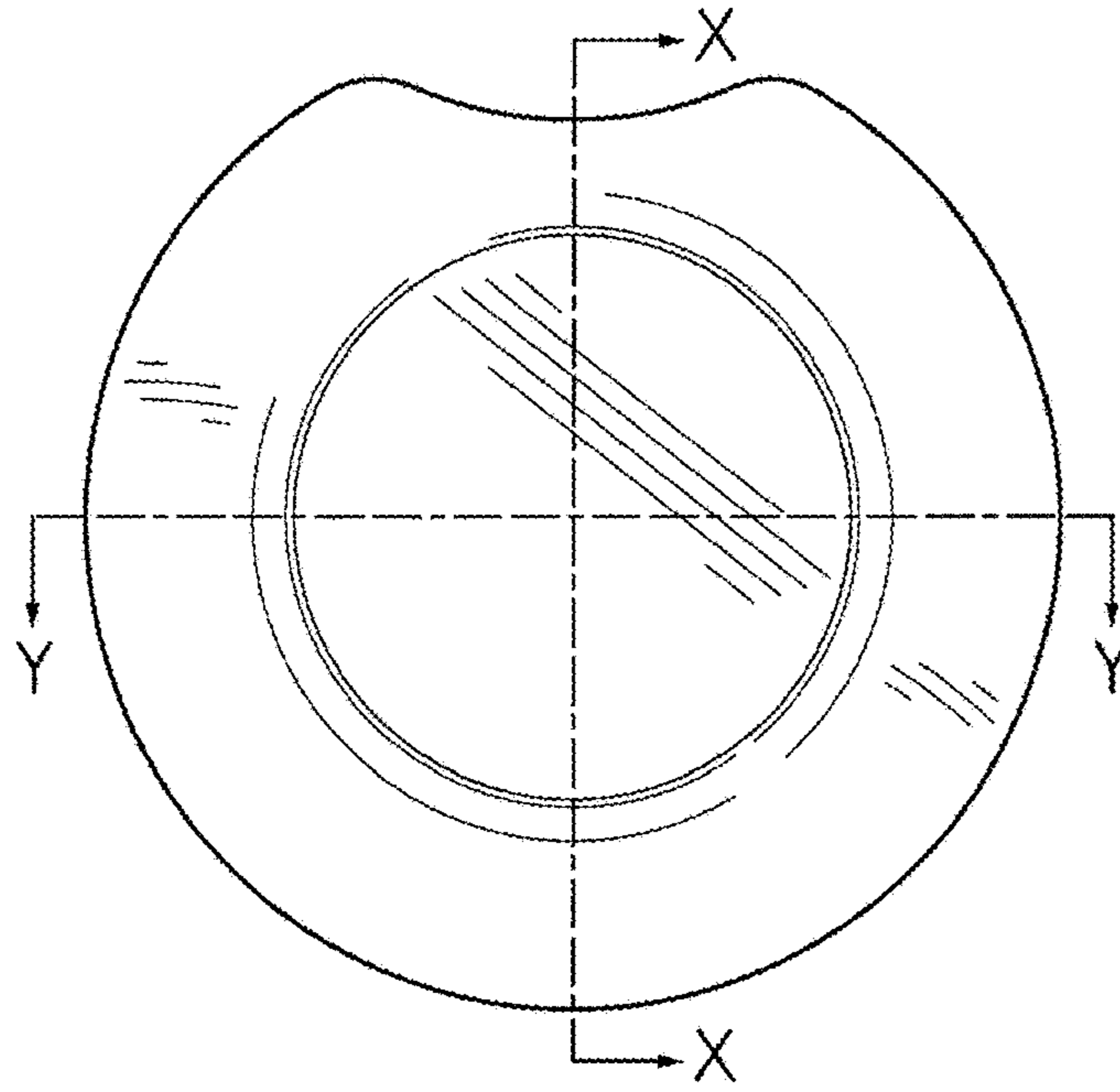


Fig. 102

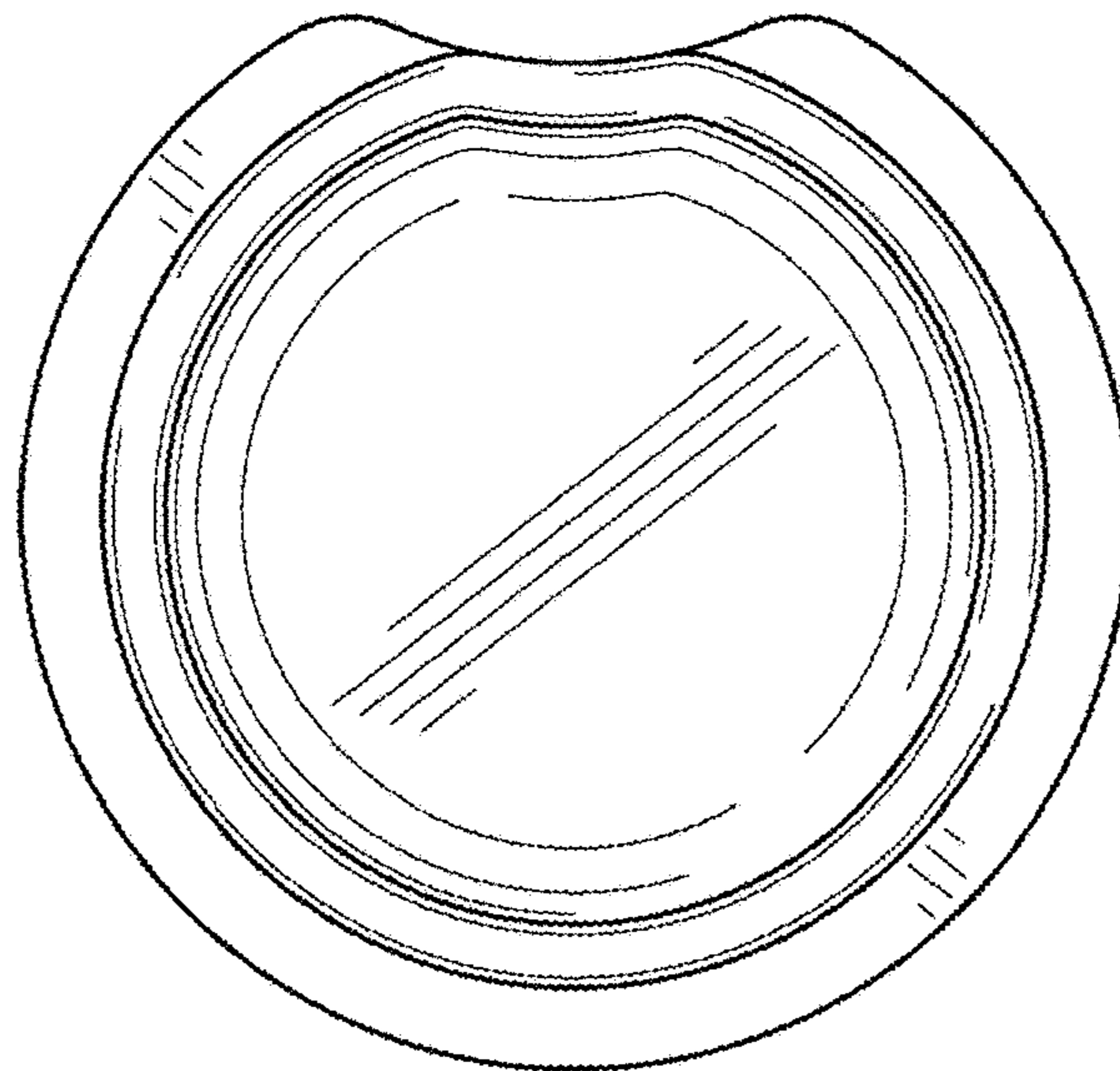


Fig. 103

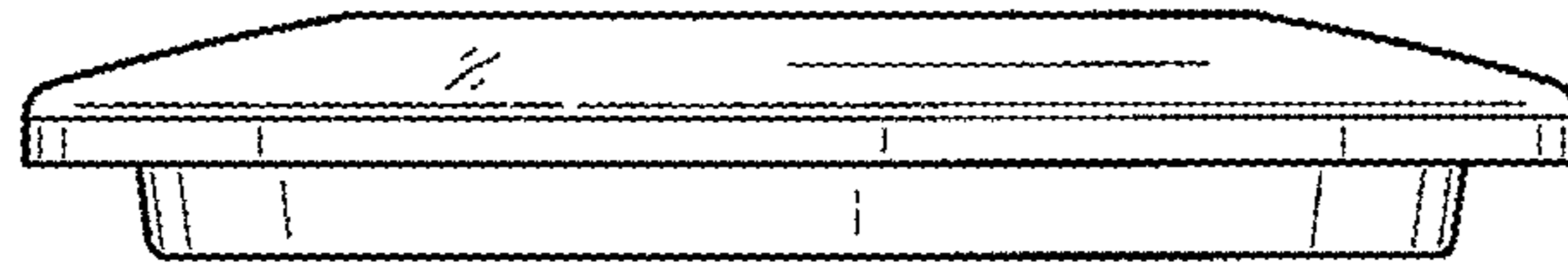


Fig. 104

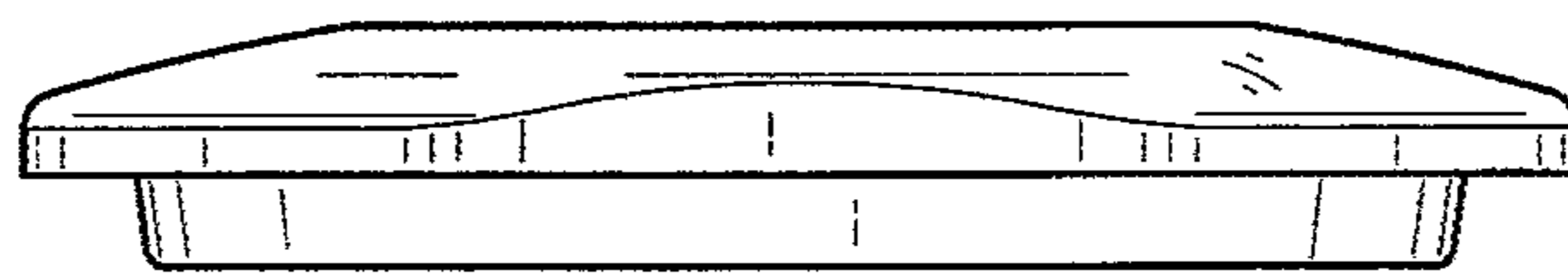


Fig. 105

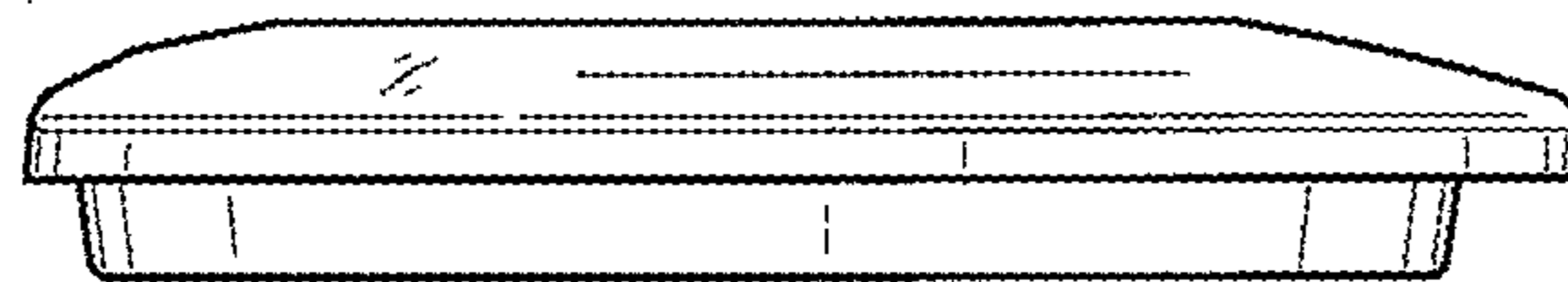


Fig. 106

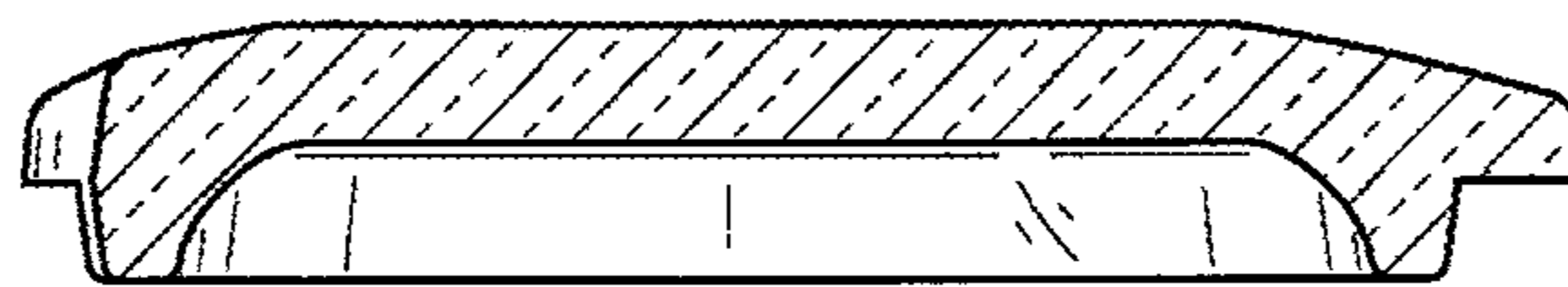


Fig. 107
X-X

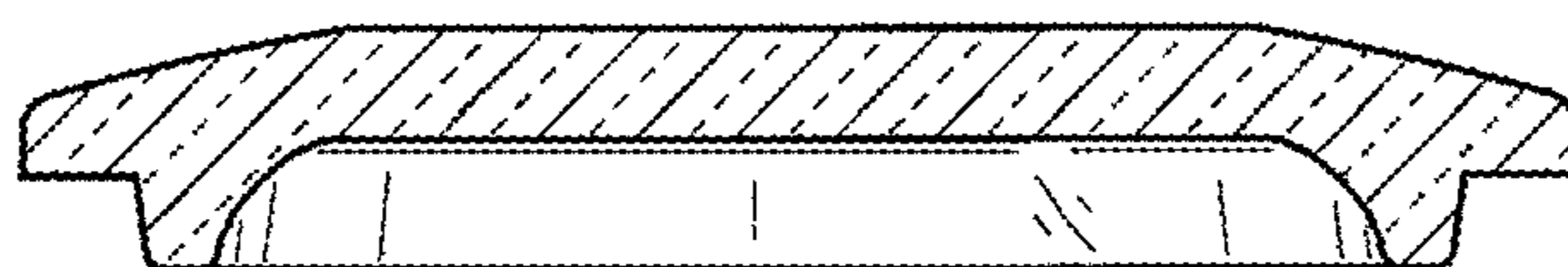


Fig. 108
Y-Y