



US00D836969S

(12) **United States Design Patent**
Shen et al.

(10) **Patent No.:** **US D836,969 S**
(45) **Date of Patent:** **** Jan. 1, 2019**

(54) **UNIVERSAL VENTILATION SUPPORT FOR
PLUG-IN ELECTRIC HEATING STOVE
PLATE**

(71) Applicant: **Zhejiang Jiu Kang Electric
Appliances Co., Ltd., Jiaxing (CN)**

(72) Inventors: **Chunlei Shen, Jiaxing (CN);
Chengnian Wu, Jiaxing (CN)**

(73) Assignee: **Zhejiang Jiu Kang Electric
Appliances Co., Ltd., Jiaxing, Zhejiang
Province (CN)**

(**) Term: **15 Years**

(21) Appl. No.: **29/583,567**

(22) Filed: **Nov. 7, 2016**

(51) **LOC (11) Cl.** **07-02**

(52) **U.S. Cl.**
USPC **D7/362**

(58) **Field of Classification Search**

USPC D7/354-365, 367, 402-404, 407-409,
D7/417, 339, 346, 347, 332-334
CPC A47J 47/02; A47J 47/14; A47J 2027/043;
A47J 27/04; A47J 27/05; A47J 27/17;
A47J 27/16; A47J 33/00; A23L 5/13;
B65D 39/00; B65D 43/00; B65D 43/02;
B65D 43/14; F24C 15/10; F24C 15/101;
F24C 15/102; F24C 15/107; F24C
15/108; F24C 15/26; F24C 3/14; F24C
1/16; F24C 5/20; F23D 14/06; F23D
14/38; F23D 14/56; F23D 14/465; F23D
14/52; F23D 2900/14062; F23D
2900/14063; H05B

(Continued)

(56) **References Cited**

U.S. PATENT DOCUMENTS

D39,588 S * 9/1908 Straker D7/396.5
2,559,265 A * 7/1951 Taylor F23D 14/70
126/40

(Continued)

FOREIGN PATENT DOCUMENTS

JP 11141883 A * 5/1999
JP 11159760 A * 6/1999

Primary Examiner — Barbara Fox

Assistant Examiner — Messina L Smith

(74) *Attorney, Agent, or Firm* — Morgan, Lewis &
Bockius LLP

(57) **CLAIM**

The ornamental design for a universal ventilation support for
plug-in electric heating stove plate, as shown and described.

DESCRIPTION

FIG. 1 is a perspective view of a universal ventilation
support for plug-in electric heating stove plate of our new
design.

FIG. 2 is a top view of the universal ventilation support for
plug-in electric heating stove plate of our new design.

FIG. 3 is a bottom view of the universal ventilation support
for plug-in electric heating stove plate of our new design.

FIG. 4 is a front view of the universal ventilation support for
plug-in electric heating stove plate of our new design.

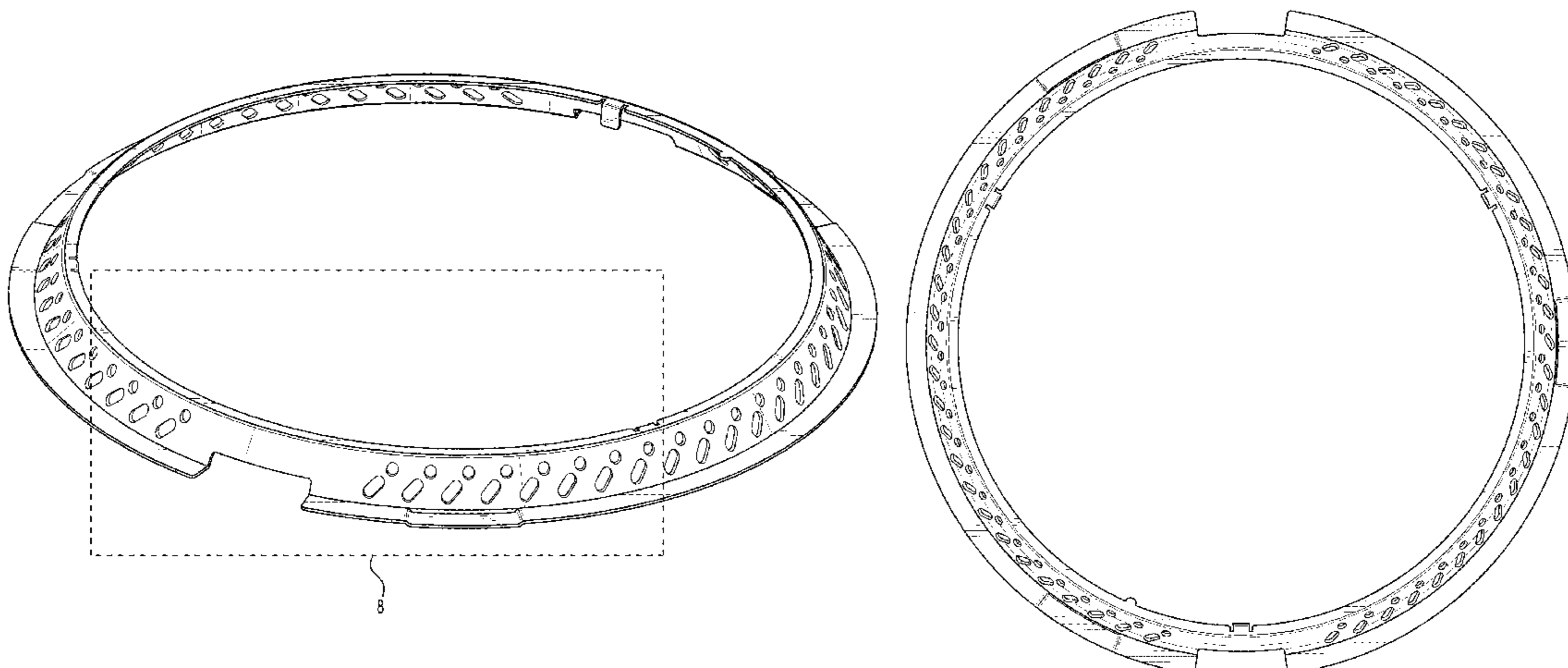
FIG. 5 is a left side view of the universal ventilation support
for plug-in electric heating stove plate of our new design.

FIG. 6 is a right side view of the universal ventilation
support for plug-in electric heating stove plate of our new
design.

FIG. 7 is a back view of the universal ventilation support for
plug-in electric heating stove plate of our new design; and,

FIG. 8 is an enlarged view of a portion of the universal
ventilation support for plug-in electric heating stove plate of
our new design.

1 Claim, 8 Drawing Sheets



(58) **Field of Classification Search**

CPC ... 6/02; H05B 6/06; H05B 6/062; H05B 6/12;
H05B 6/1209; H05B 2213/07

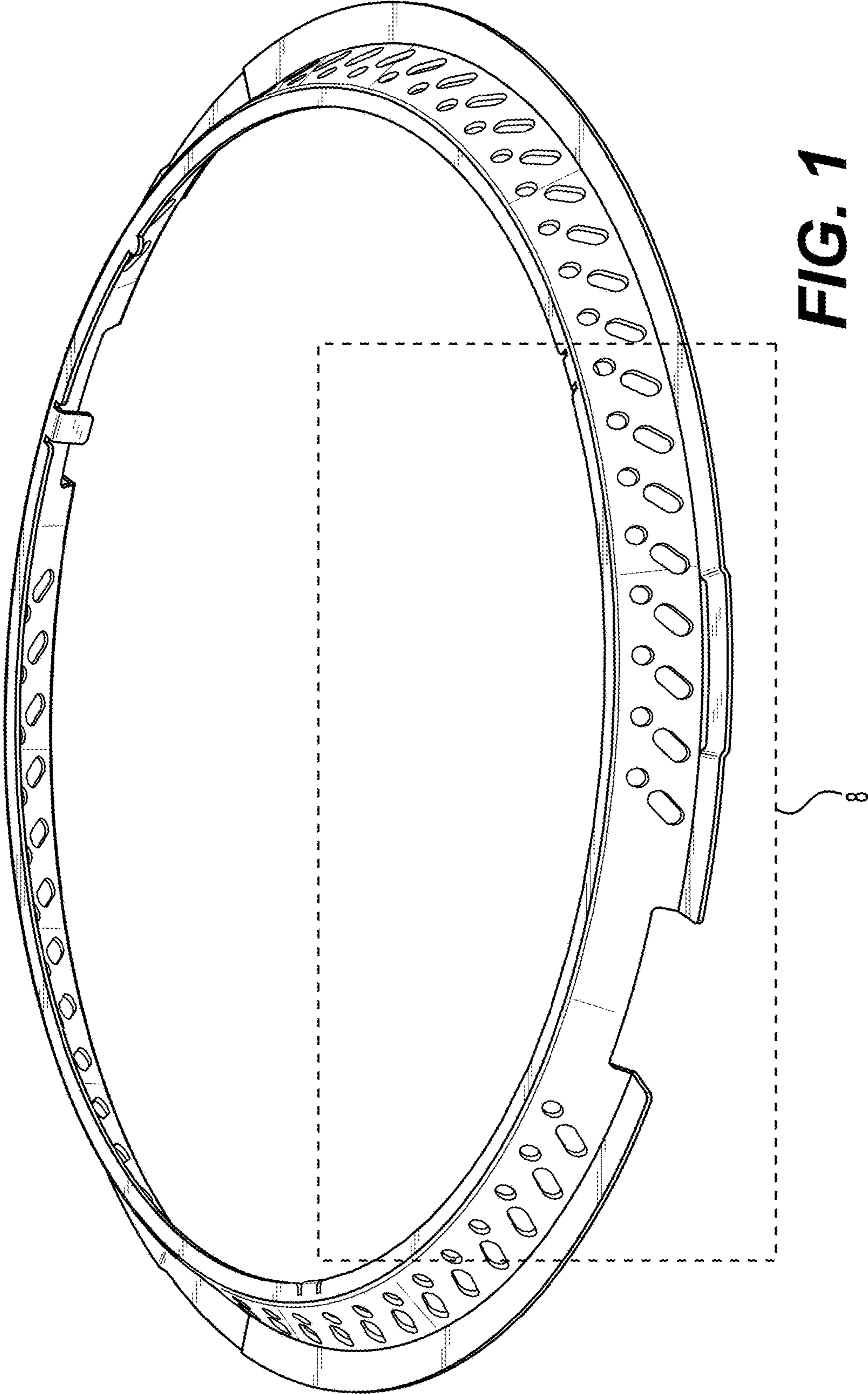
See application file for complete search history.

(56) **References Cited**

U.S. PATENT DOCUMENTS

2,749,732 A * 6/1956 Bramming F23D 3/00
431/102
D188,153 S * 6/1960 Imhoff D7/407
D250,931 S * 1/1979 Pierce D7/408
D276,785 S * 12/1984 Cleland D7/367
D309,692 S * 8/1990 Strand D7/354
5,315,983 A * 5/1994 Law F24C 15/10
126/214 D
D370,594 S * 6/1996 Ferlin D7/407
D379,588 S * 6/1997 Pledger D9/434
D486,356 S * 2/2004 Hoff D7/409
D524,600 S * 7/2006 Austin 219/400
D542,091 S * 5/2007 Hoff D7/409
D545,124 S * 6/2007 Hawkins D7/409
D671,364 S * 11/2012 Parel D7/409
D793,796 S * 8/2017 Hebert, Jr. D7/354
D802,355 S * 11/2017 Mishan D7/359
D822,435 S * 7/2018 George D7/409
2010/0051013 A1 * 3/2010 Cadeau F23D 14/06
126/39 E
2014/0116417 A1 * 5/2014 Dora F23D 14/56
126/39 E
2018/0106476 A1 * 4/2018 Breccia F24C 3/082

* cited by examiner



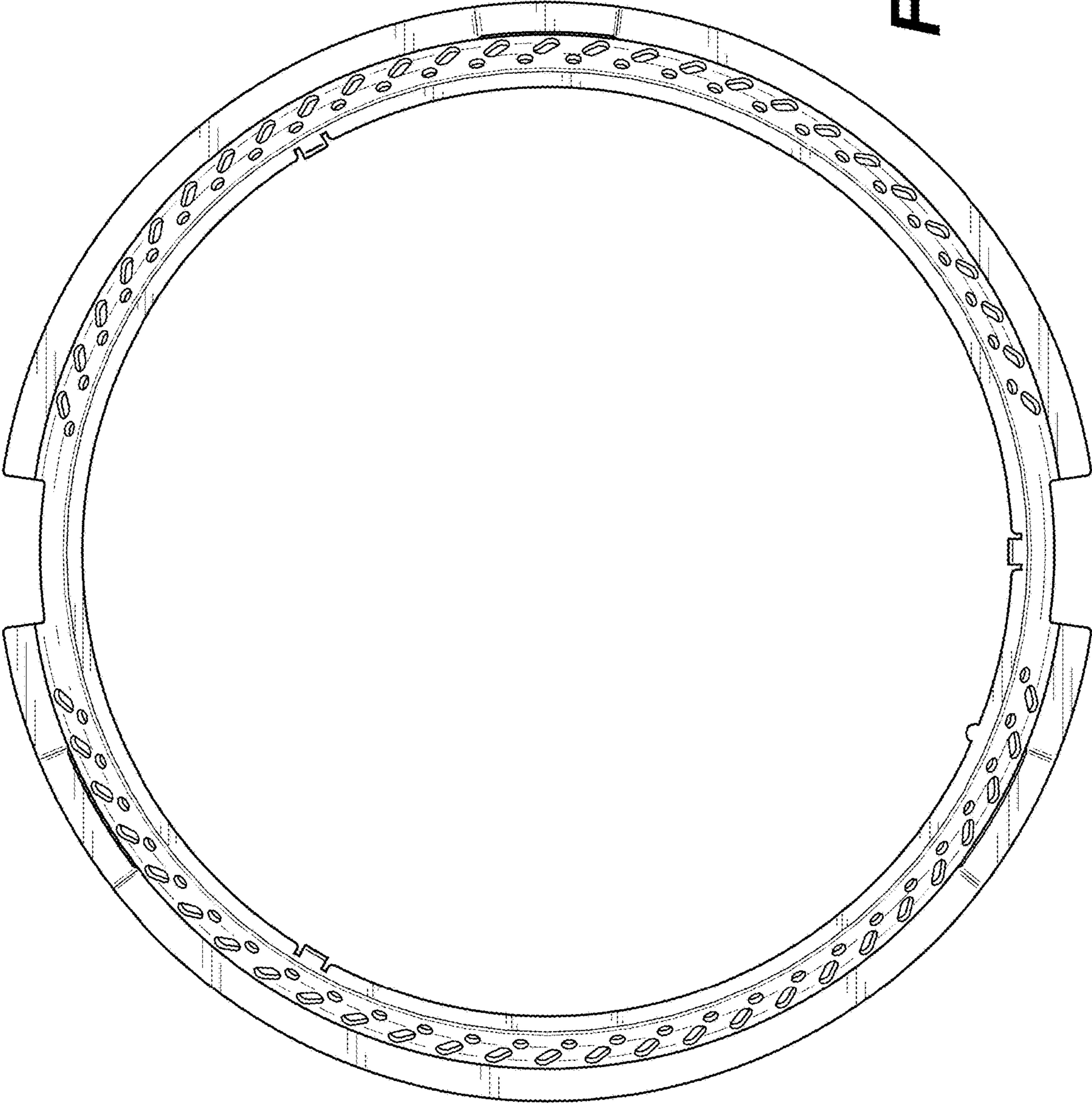


FIG. 2

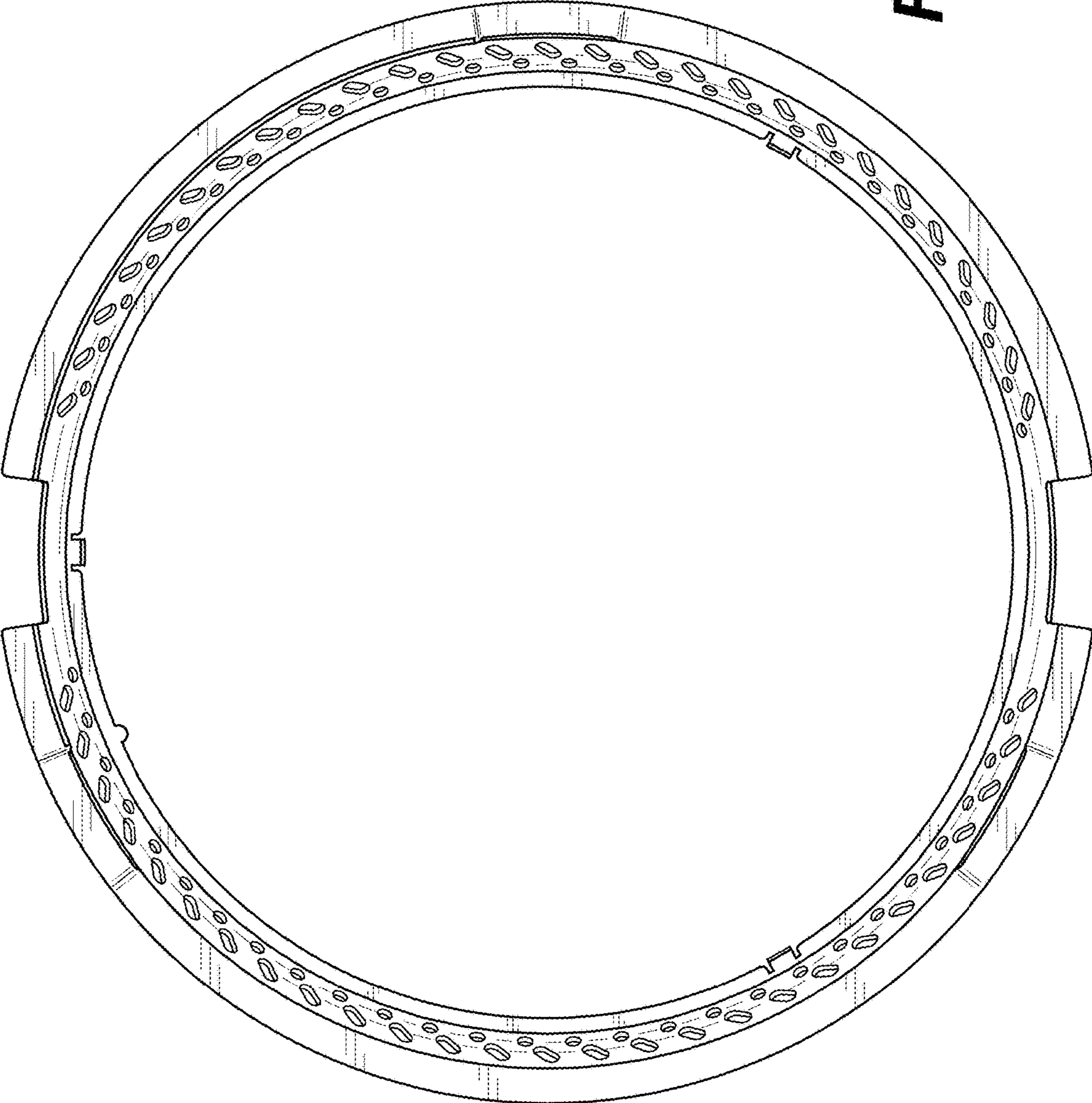


FIG. 3

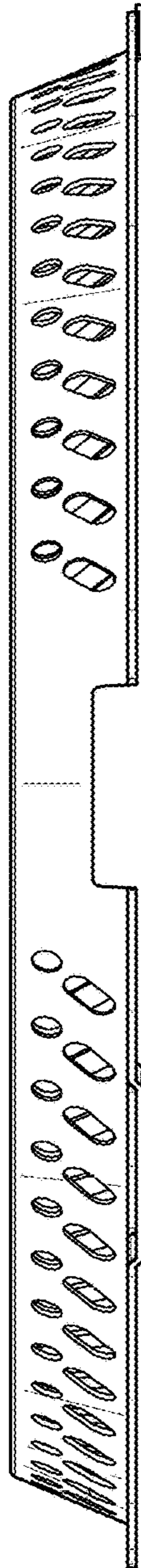


FIG. 4

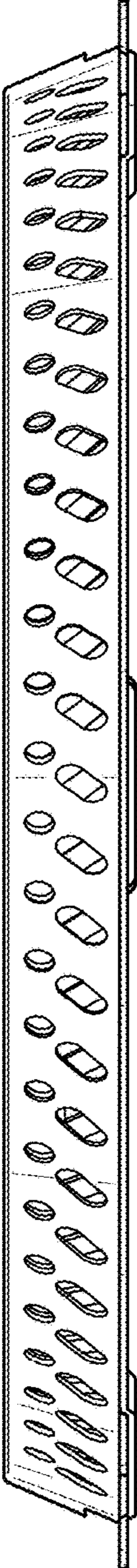


FIG. 5

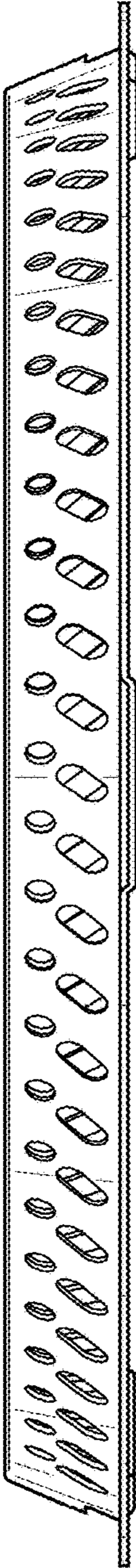


FIG. 6

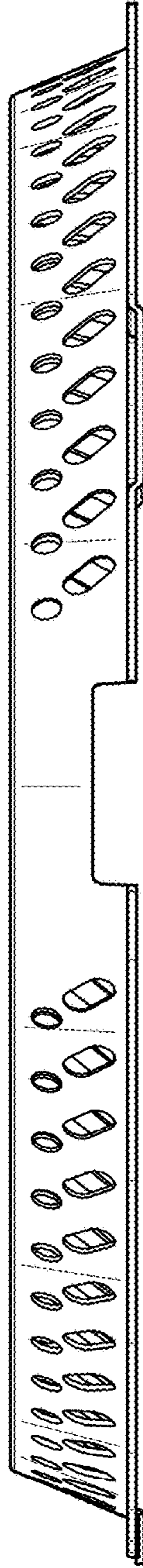


FIG. 7

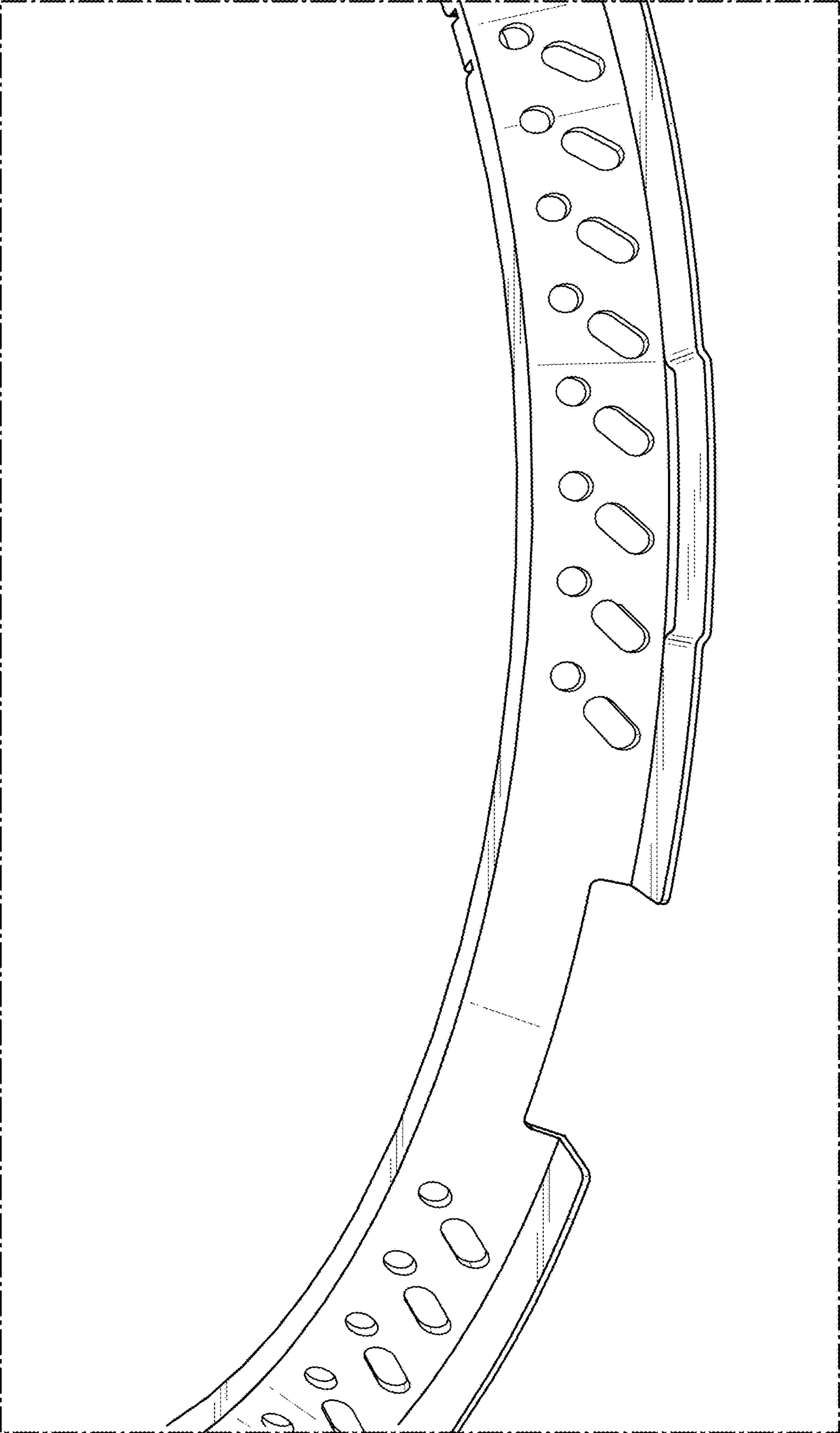


FIG. 8