



US00D836968S

(12) **United States Design Patent** (10) **Patent No.:** **US D836,968 S**  
**Chung et al.** (45) **Date of Patent:** **\*\* Jan. 1, 2019**

(54) **PRESSURE COOKER**

CPC ..... A47J 27/00; A47J 27/004; A47J 27/08  
See application file for complete search history.

(71) Applicant: **KONINKLIJKE PHILIPS N.V.**,  
Eindhoven (NL)

(56) **References Cited**

(72) Inventors: **Waikit Chung**, Shanghai (CN); **Deguo Miao**, Shanghai (CN)

U.S. PATENT DOCUMENTS

(73) Assignee: **KONINKLIJKE PHILIPS N.V.**,  
Eindhoven (NL)

D489,223 S *	5/2004	Jung	.....	D7/354
D698,593 S *	2/2014	Ishikawa	.....	D7/354
D704,500 S *	5/2014	Kim	.....	D7/354
D715,088 S *	10/2014	Kim	.....	D7/354
D715,090 S *	10/2014	Lin	.....	D7/354
D730,678 S *	6/2015	Horimoto	.....	D7/354
D765,460 S *	9/2016	Akiyama	.....	D7/354
D803,614 S *	11/2017	Choi	.....	D7/354

(\*\*) Term: **15 Years**

\* cited by examiner

(21) Appl. No.: **35/502,696**

*Primary Examiner* — Richard E Chilcot

(22) Filed: **Sep. 28, 2016**

(80) **Hague Agreement Data**

(57) **CLAIM**

Int. Filing Date: **Sep. 28, 2016**  
 Int. Reg. No.: **DM/092735**  
 Int. Reg. Date: **Sep. 28, 2016**  
 Int. Reg. Pub. Date: **Mar. 31, 2017**

The ornamental design for a pressure cooker, as shown and described.

(30) **Foreign Application Priority Data**

**DESCRIPTION**

Apr. 26, 2016 (EM) ..... 003093533-0001

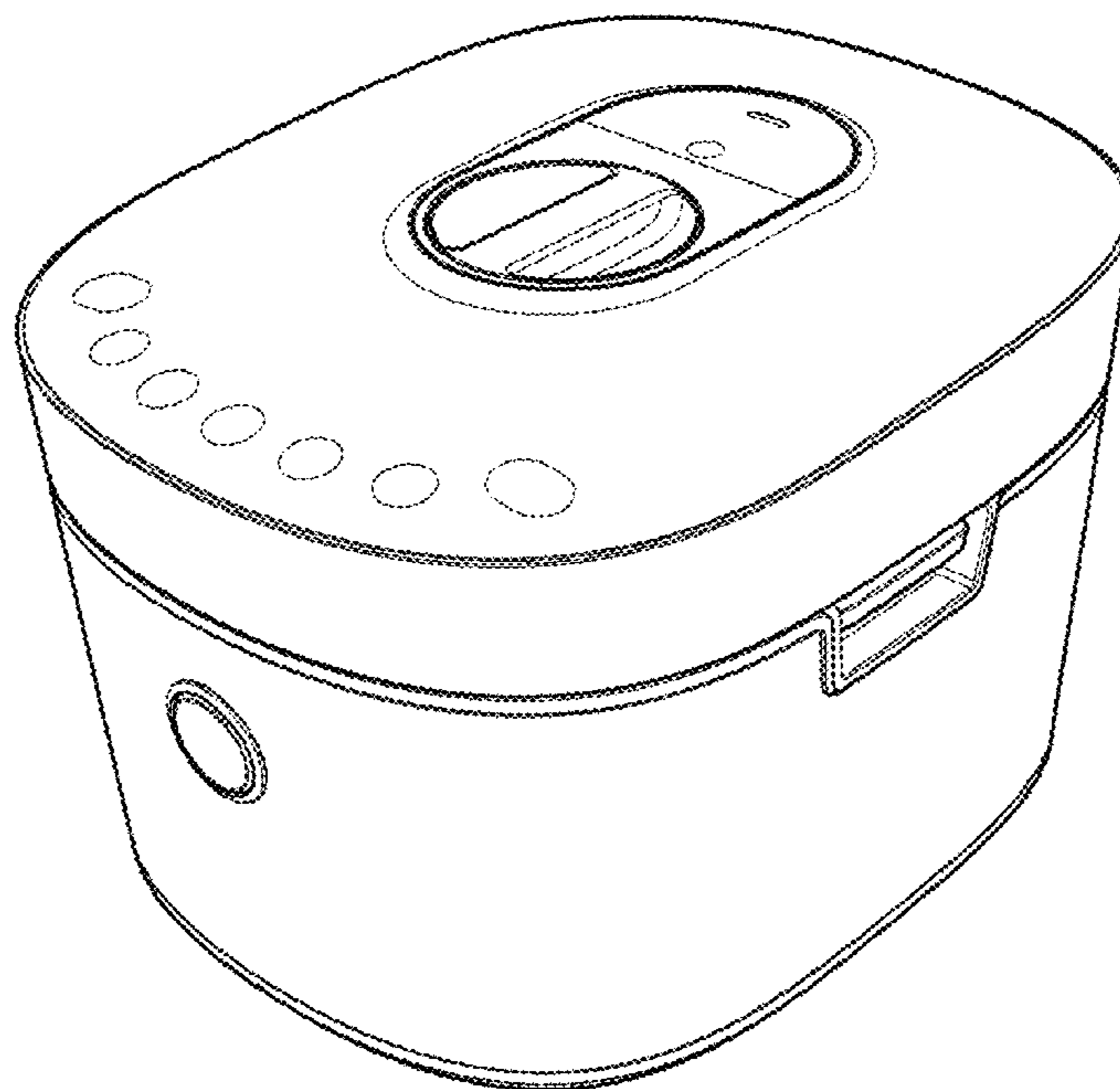
(51) **LOC (11) Cl.** ..... **07-02**

(52) **U.S. Cl.**  
 USPC ..... **D7/354**  
 CPC ..... **A47J 27/00** (2013.01)

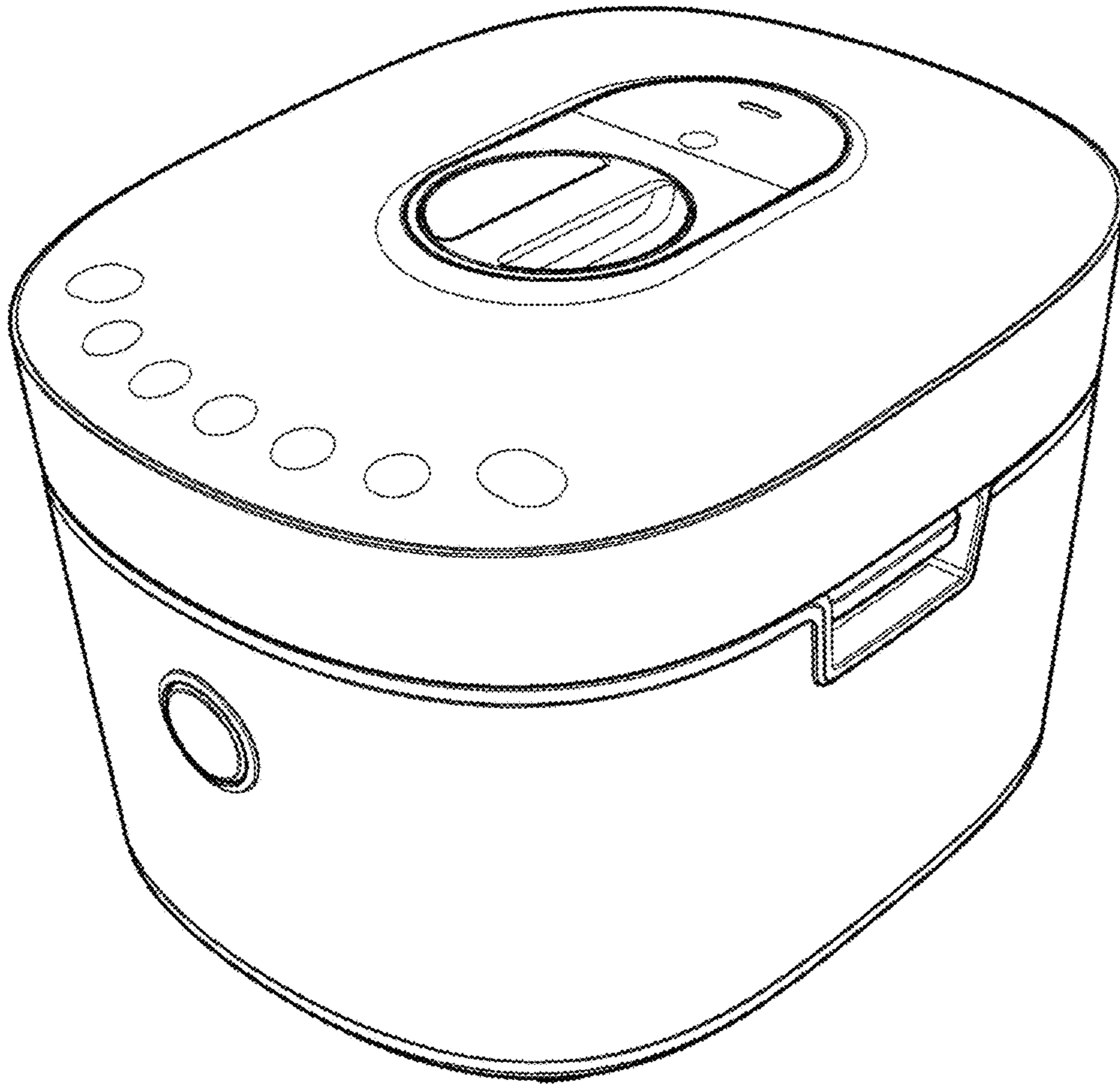
(58) **Field of Classification Search**  
 USPC .... D7/354-361, 391, 393, 323; 99/336-339,  
 99/403, 425, 426, 467; 126/384.1, 390.1

1. Pressure cooker
- 1.1 is a perspective view showing the pressure cooker of our design;
- 1.2 is a front elevational view thereof;
- 1.3 is a rear elevational view thereof;
- 1.4 is a left side elevational view thereof;
- 1.5 is a right side elevational view thereof;
- 1.6 is a top plan view thereof; and
- 1.7 is a bottom plan view thereof.

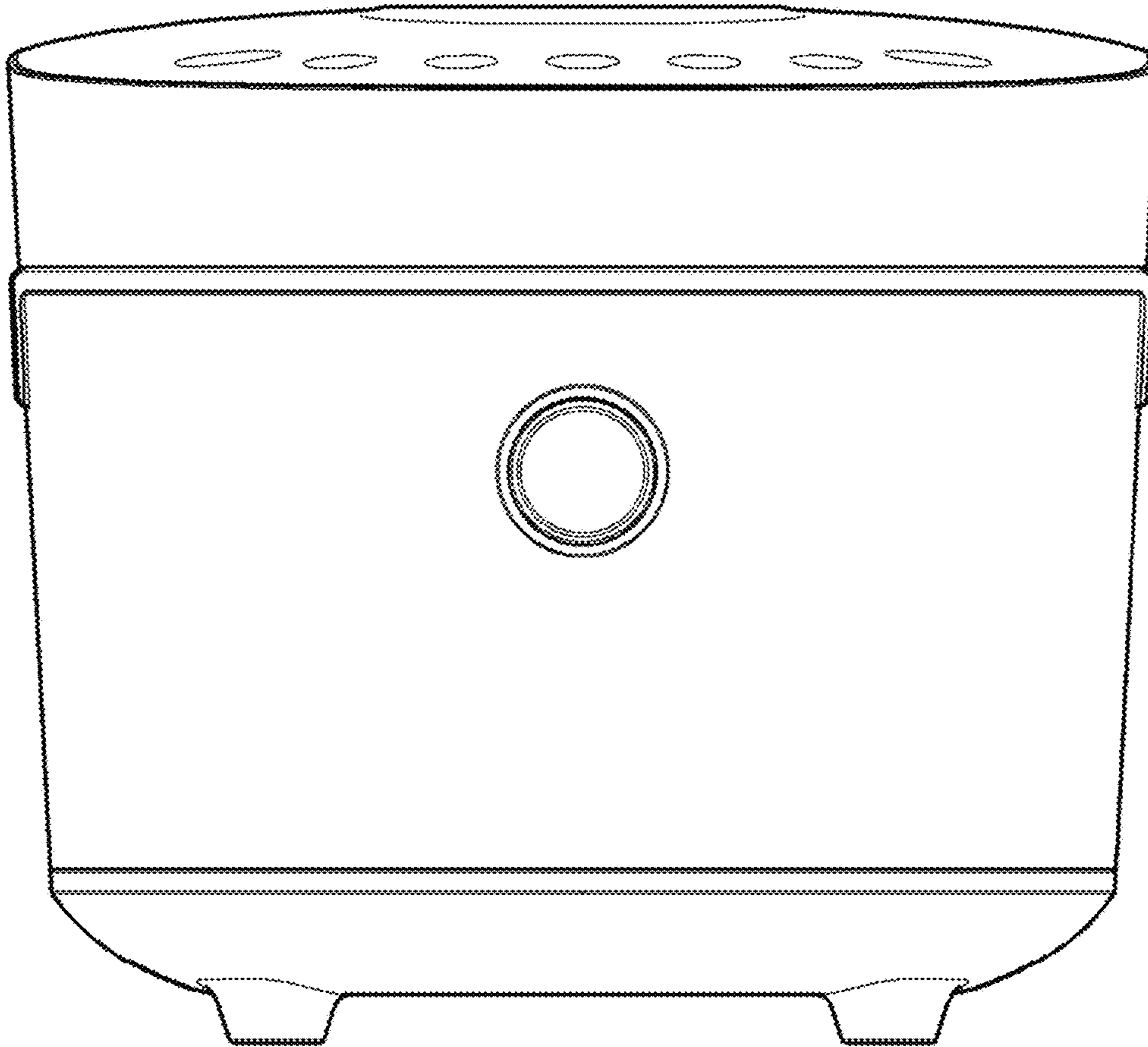
**1 Claim, 7 Drawing Sheets**



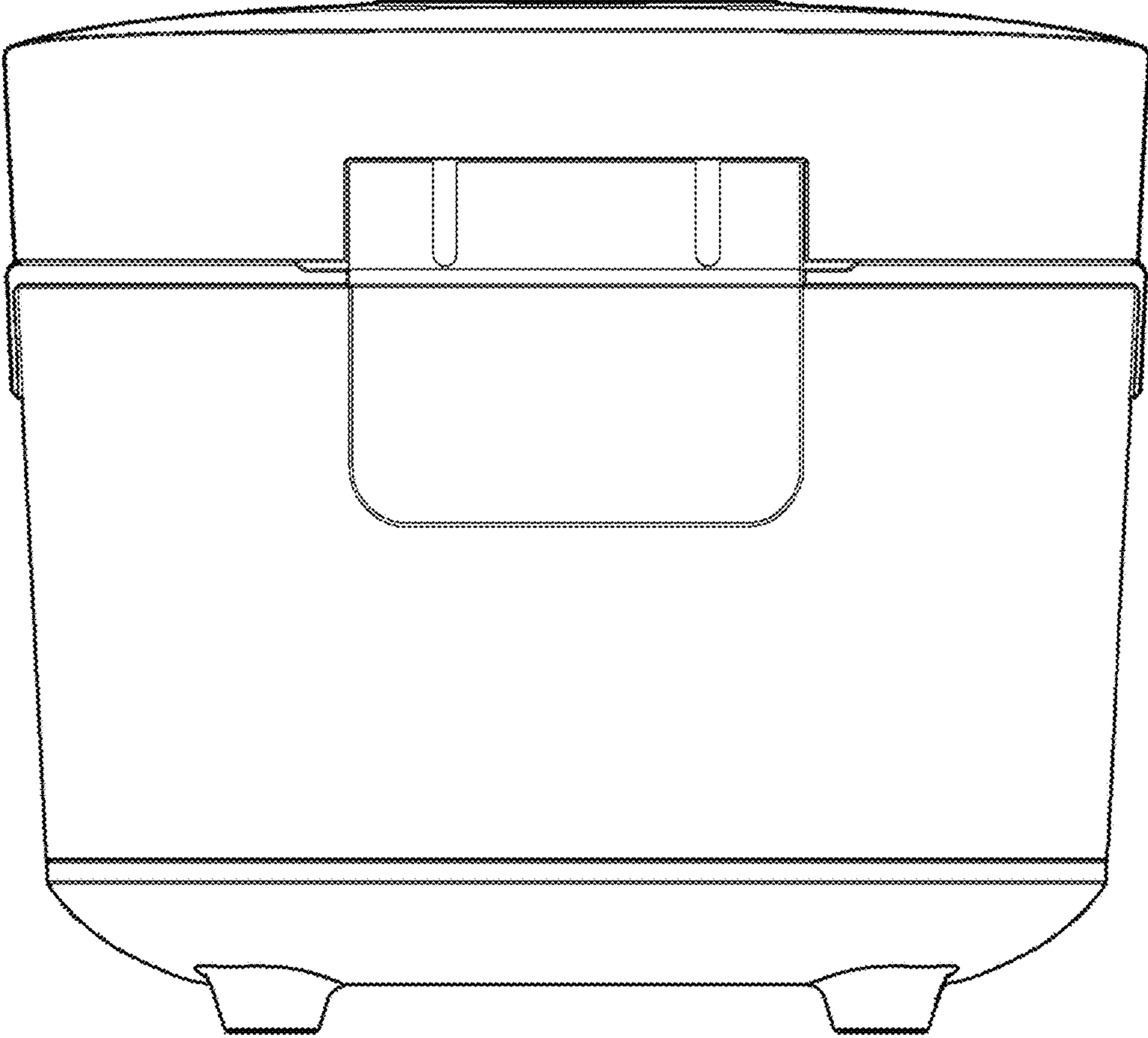
1.1



1.2



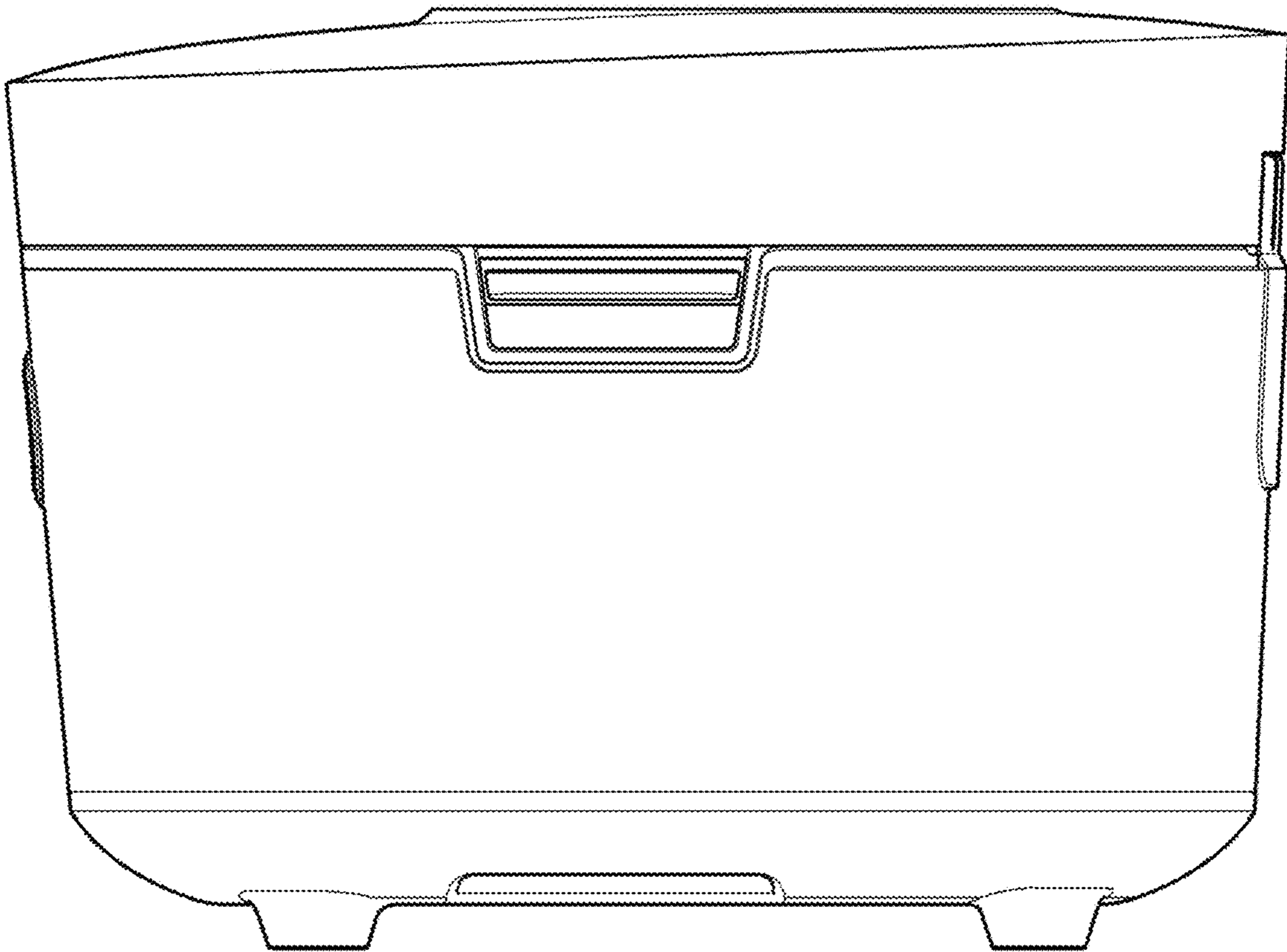
1.3



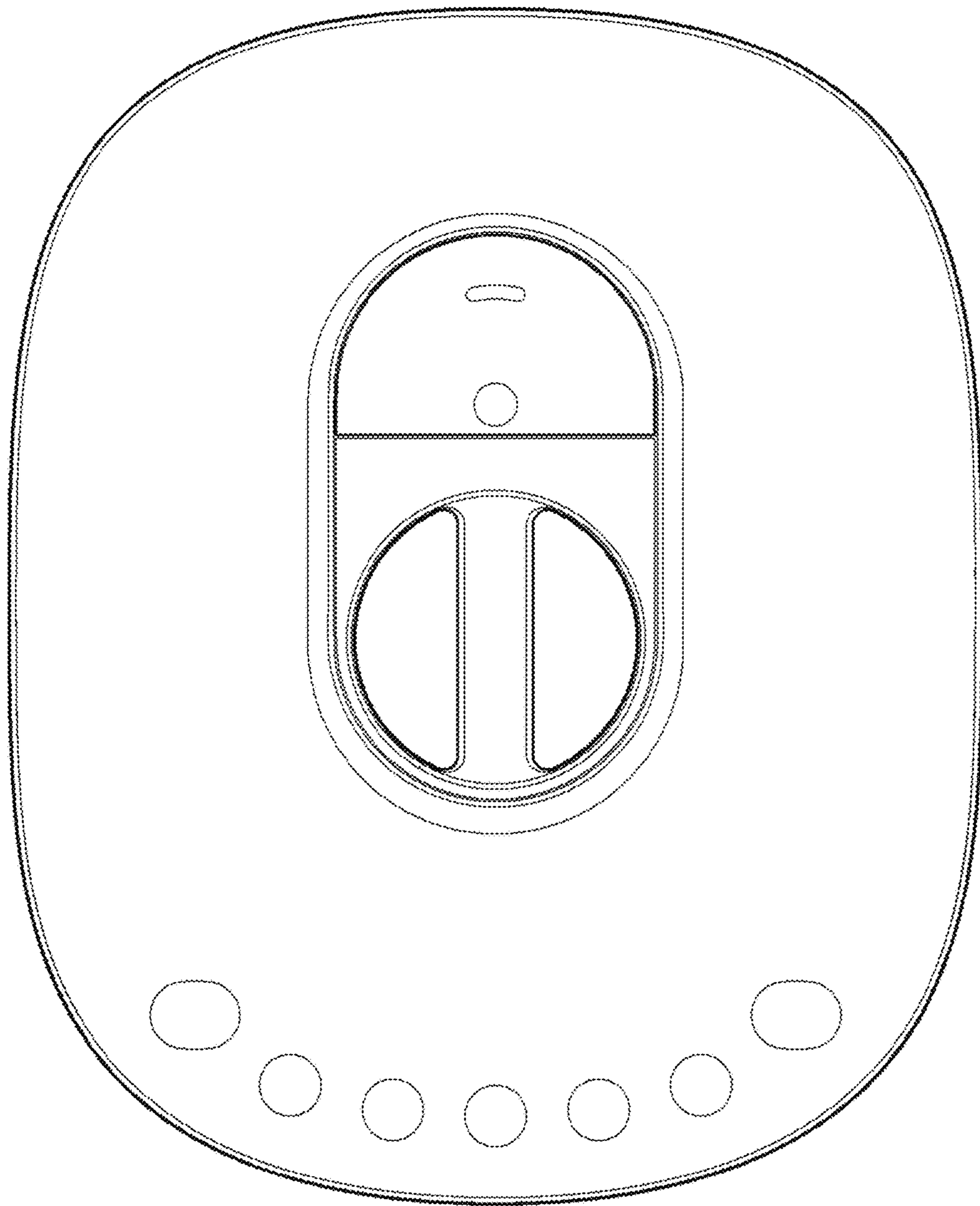
1.4



1.5



1.6



1.7

