



US00D836967S

(12) **United States Design Patent**  
**Lin**

(10) **Patent No.:** **US D836,967 S**  
(45) **Date of Patent:** **\*\* Jan. 1, 2019**

(54) **SOUS VIDE COOKER**

(71) Applicant: **Bin Lin**, Guangdong (CN)

(72) Inventor: **Bin Lin**, Guangdong (CN)

(\*\*) Term: **15 Years**

(21) Appl. No.: **29/602,554**

(22) Filed: **May 2, 2017**

(30) **Foreign Application Priority Data**

Feb. 13, 2017 (CN) ..... 2017 3 0038012

(51) **LOC (11) Cl.** ..... **07-02**

(52) **U.S. Cl.**  
USPC ..... **D7/354**

(58) **Field of Classification Search**

USPC ..... D7/354, 510; D10/50, 57, 58; D21/403  
CPC ..... A47J 27/10; A47J 27/004; A47J 27/62;  
A47J 36/00; A47J 36/06; A47J 36/32;  
A47J 29/02; A01K 63/06; B01L 7/02;  
H05B 1/02; H05B 3/80; G02B 27/08

See application file for complete search history.

(56) **References Cited**

**U.S. PATENT DOCUMENTS**

3,131,593 A \* 5/1964 Grow ..... G02B 27/08  
353/2  
3,270,661 A \* 9/1966 Juvan ..... A47J 29/02  
99/343

3,346,109 A \* 10/1967 Duran ..... G07D 9/004  
206/0.82  
D446,116 S \* 8/2001 Nytko ..... D9/428  
D573,401 S \* 7/2008 Cohen ..... D7/361  
D724,449 S \* 3/2015 Chang ..... D10/57  
2011/0185915 A1 \* 8/2011 Eades ..... A47J 27/004  
99/331  
2015/0342390 A1 \* 12/2015 Wu ..... A47J 27/10  
426/523

\* cited by examiner

*Primary Examiner* — Freda S Nunn

(74) *Attorney, Agent, or Firm* — Li-Jen Shen

(57) **CLAIM**

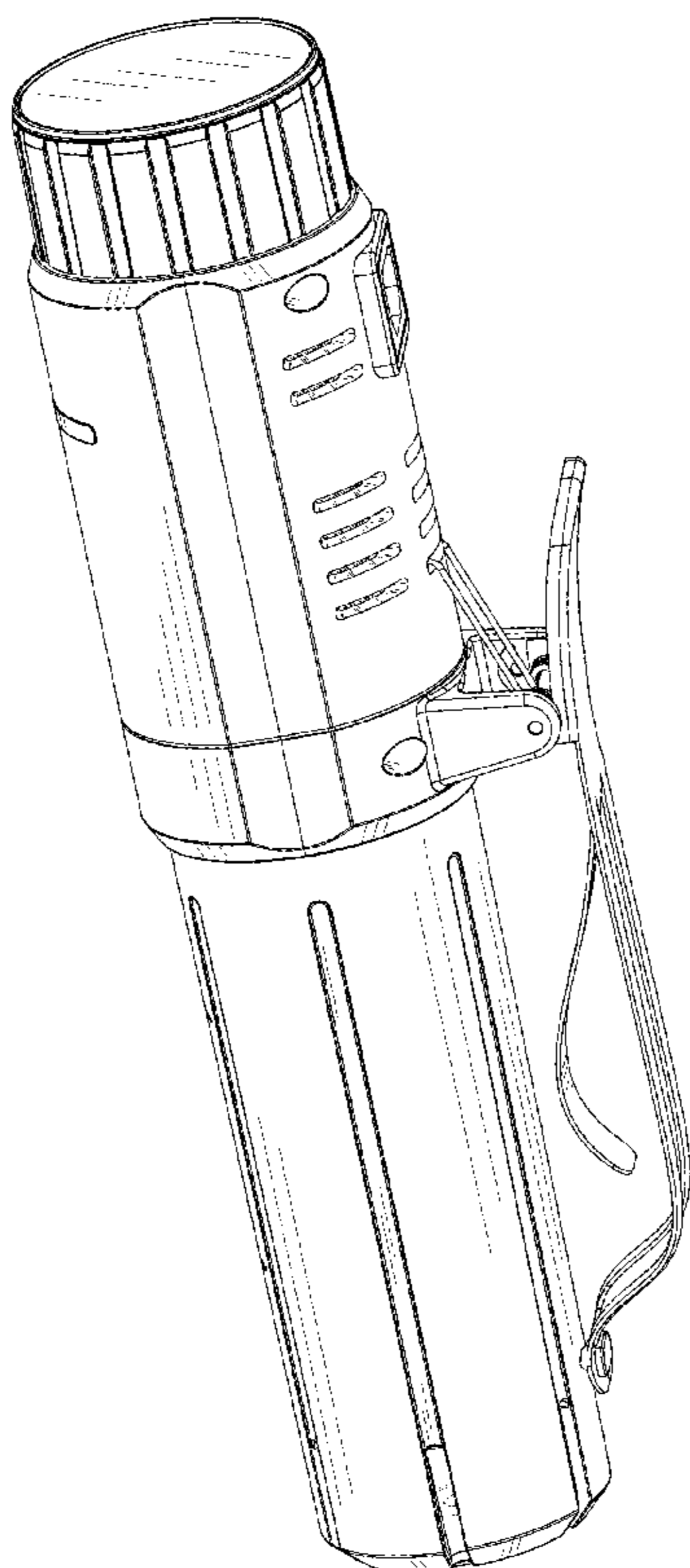
I claim the ornamental design for a sous vide cooker, as shown and described.

**DESCRIPTION**

FIG. 1 is a perspective view of a sous vide cooker, showing my new design;  
FIG. 2 is a front view thereof;  
FIG. 3 is a rear view thereof;  
FIG. 4 is a left side view thereof;  
FIG. 5 is a right side view thereof;  
FIG. 6 is a bottom view thereof; and,  
FIG. 7 is a top view thereof.

The broken line portions are included to show unclaimed subject matter only and form no part of the claimed design.

**1 Claim, 7 Drawing Sheets**



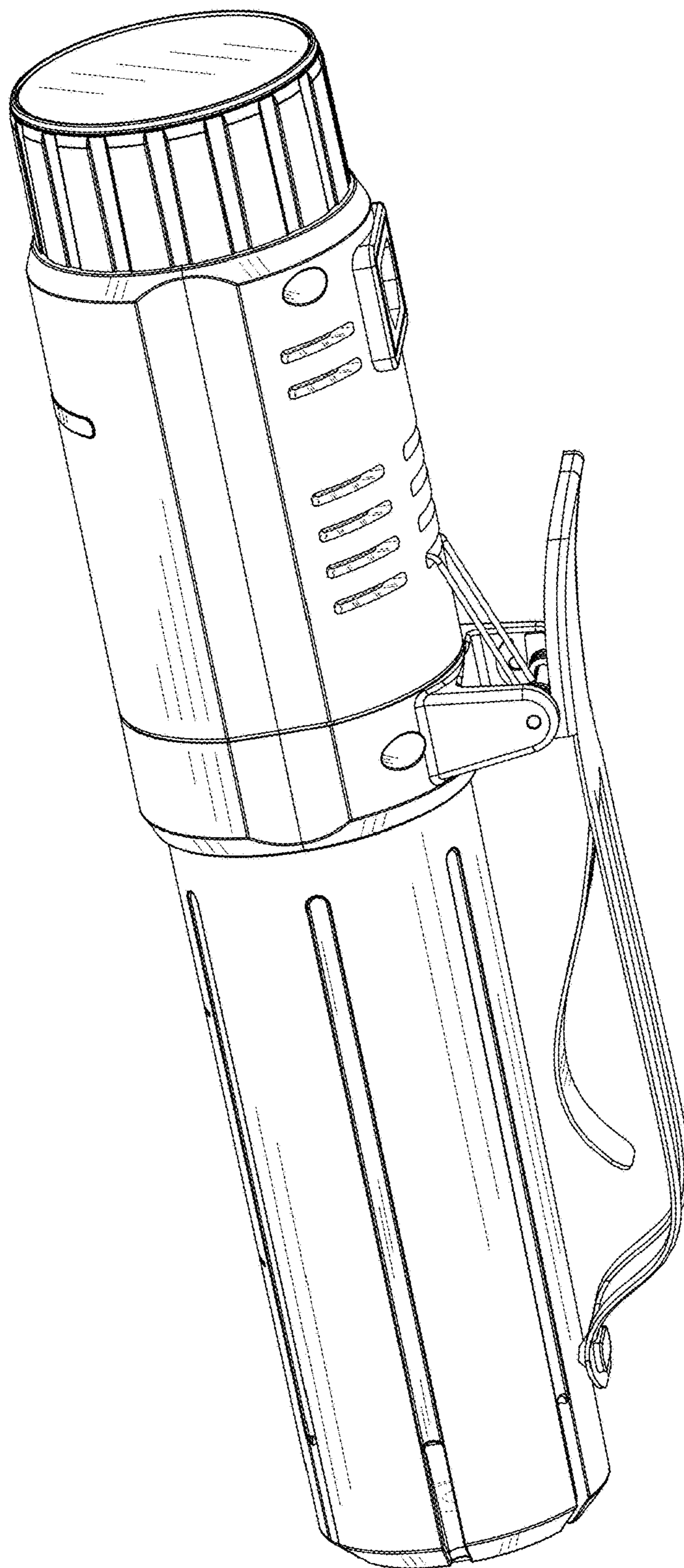


FIG. 1

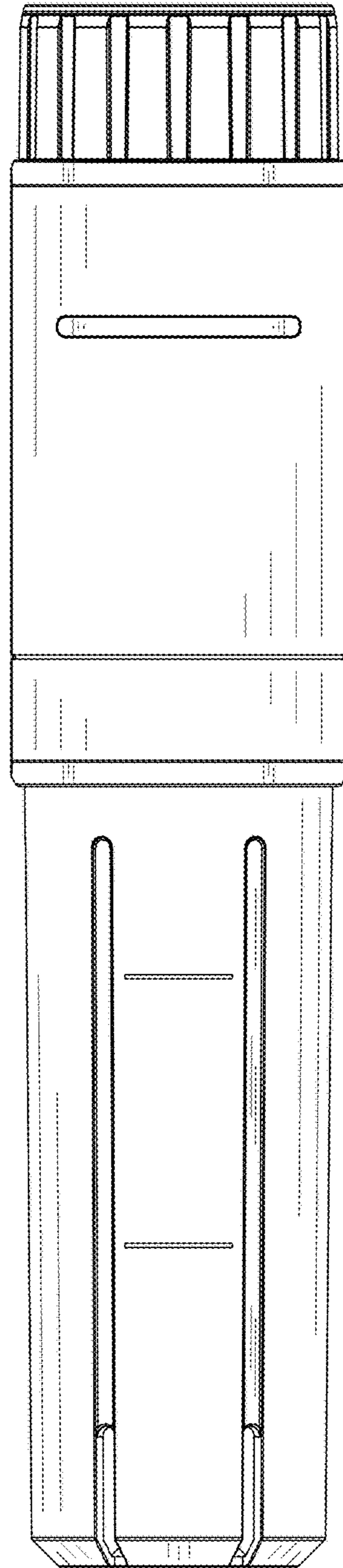


FIG. 2

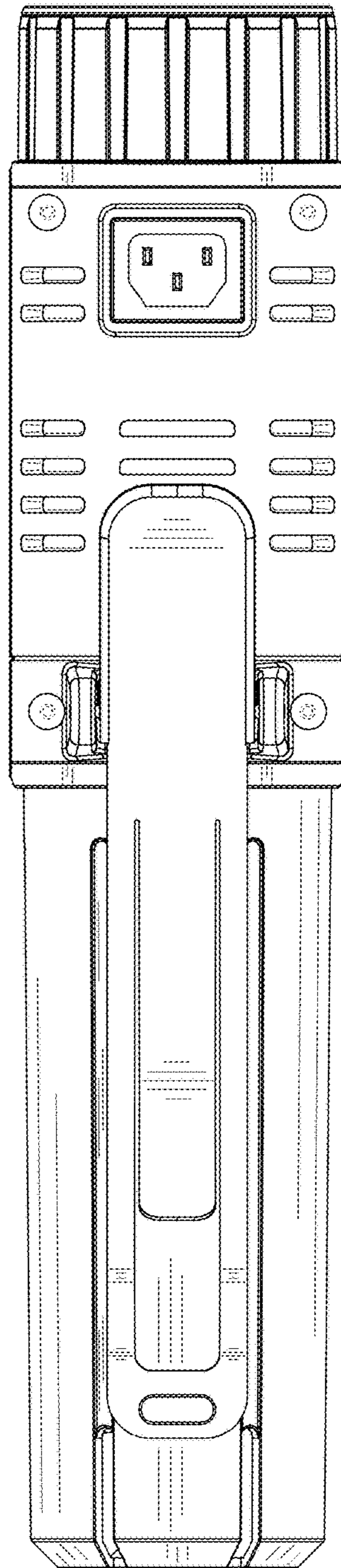


FIG. 3



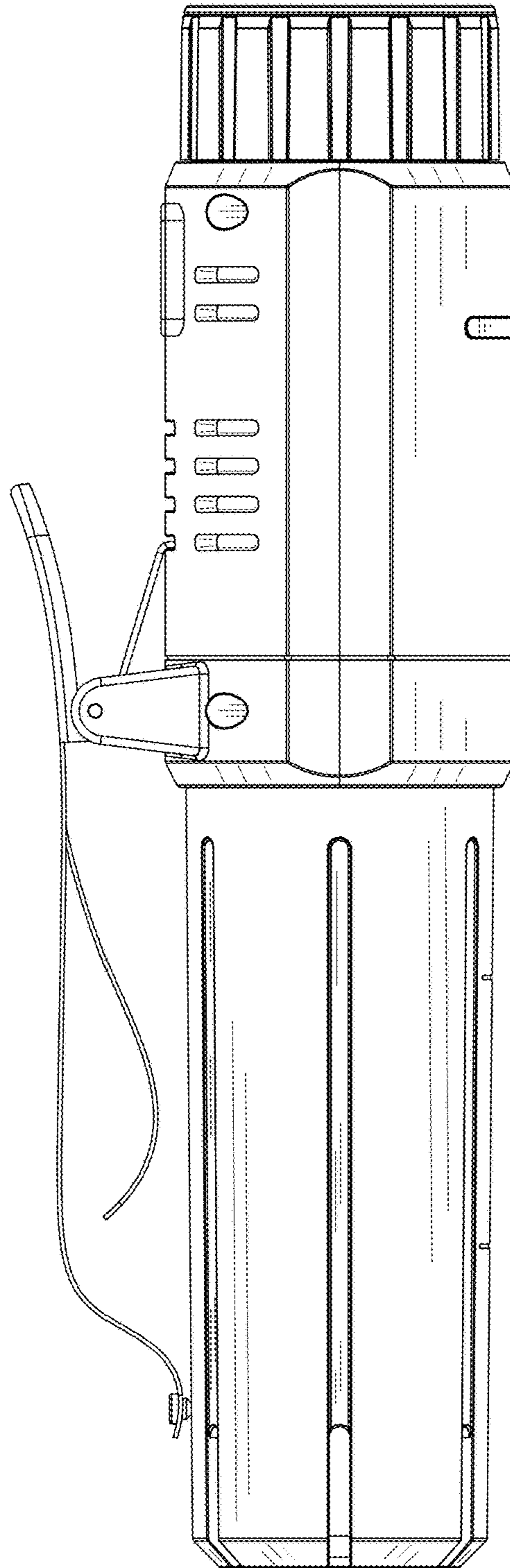


FIG. 4

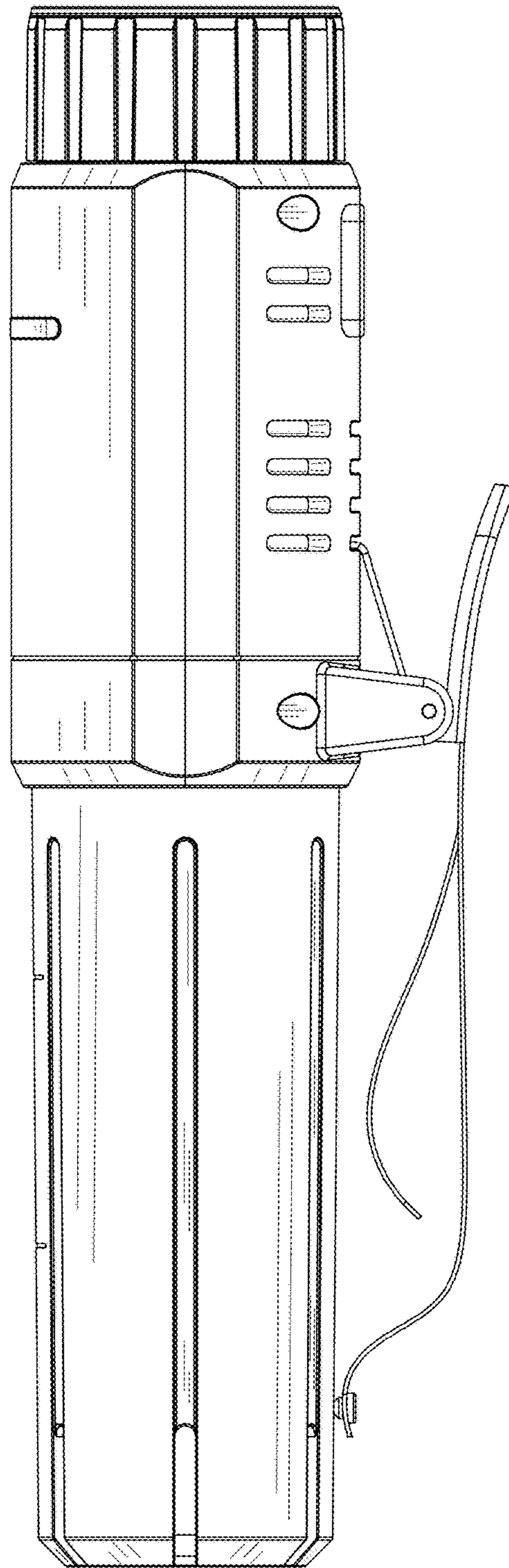


FIG. 5

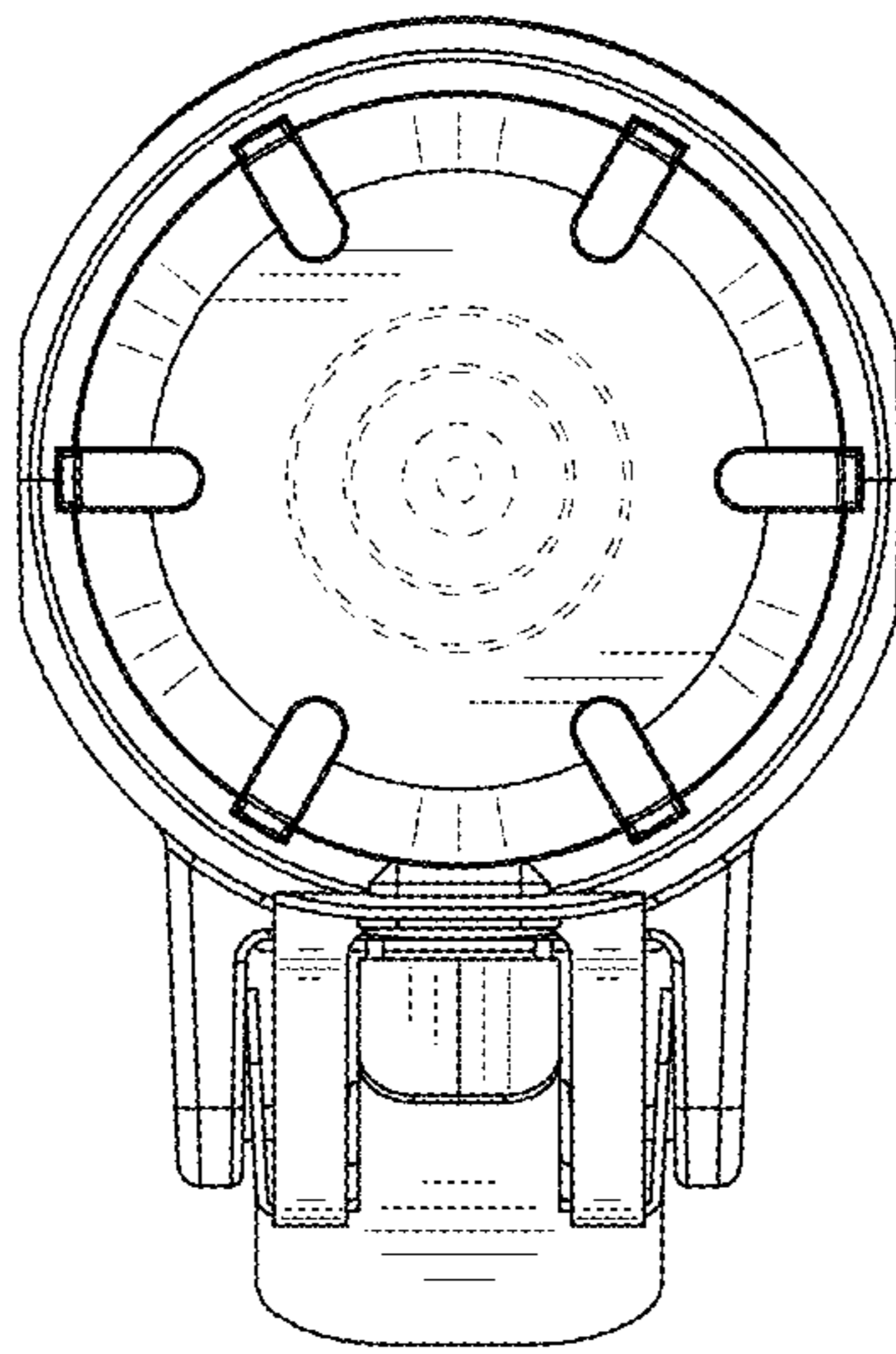


FIG. 6

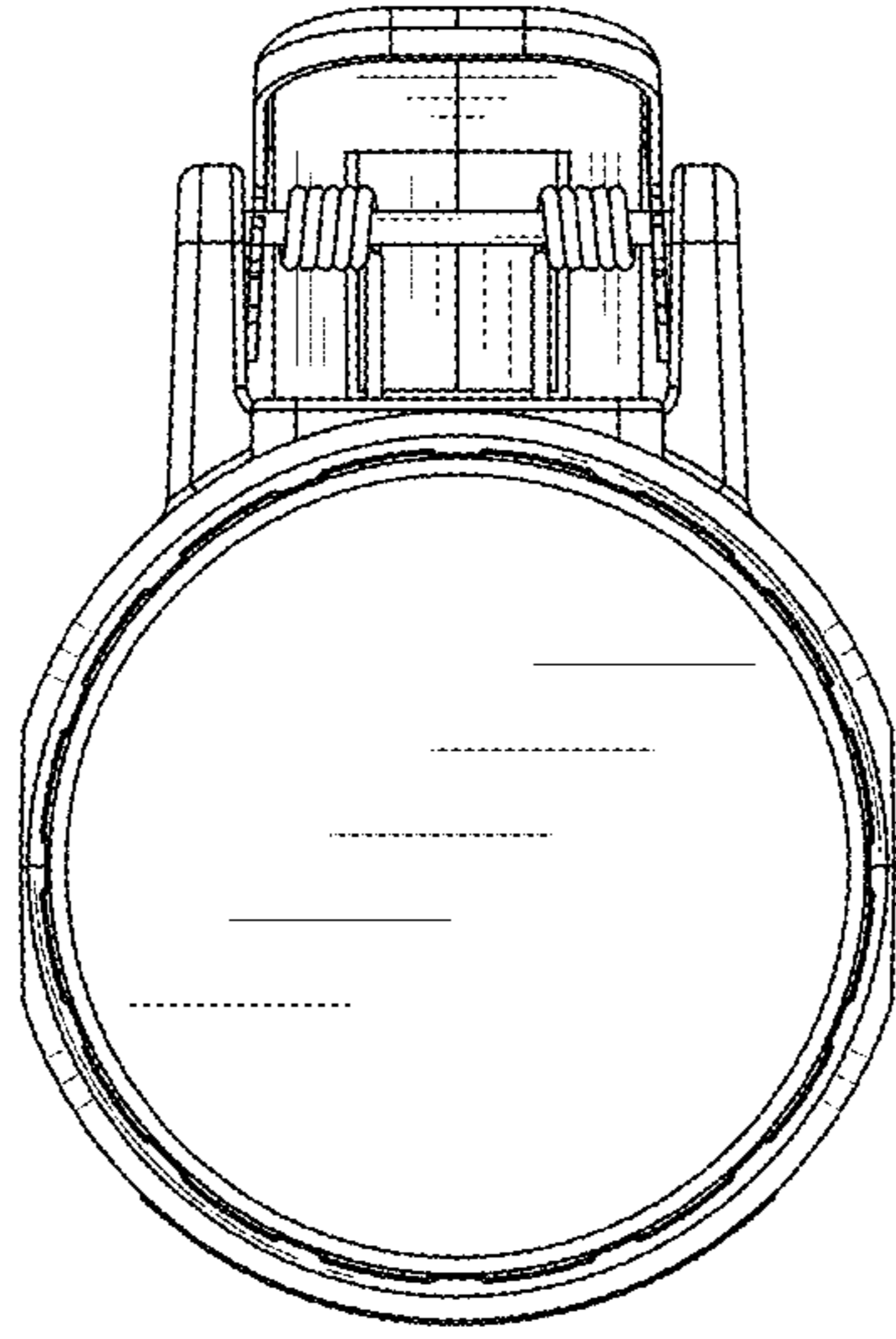


FIG. 7