



US00D836964S

(12) **United States Design Patent**
Wenzel

(10) **Patent No.:** **US D836,964 S**
(45) **Date of Patent:** **** Jan. 1, 2019**

(54) **TOASTER**
(71) Applicant: **Hatco Corporation**, Milwaukee, WI (US)
(72) Inventor: **Gerhard Wenzel**, Milwaukee, WI (US)
(73) Assignee: **Hatco Corporation**, Milwaukee, WI (US)

D501,356 S * 2/2005 Averty D7/350.4
7,189,945 B2 * 3/2007 Starr A47J 37/0814
219/386
D622,091 S * 8/2010 Knox D7/330
8,069,776 B2 * 12/2011 Glucksman A47J 37/0807
99/385
2006/0236873 A1* 10/2006 Saunders A21C 11/08
99/427
2011/0277643 A1* 11/2011 Schwierking A47J 36/32
99/331
2014/0246418 A1* 9/2014 Ye

(**) Term: **15 Years**

* cited by examiner

(21) Appl. No.: **29/603,083**

Primary Examiner — Freda S Nunn

(22) Filed: **May 5, 2017**

(74) *Attorney, Agent, or Firm* — Foley & Lardner LLP

(51) **LOC (11) Cl.** **07-02**

(57) **CLAIM**

(52) **U.S. Cl.**
USPC **D7/328**

I claim the ornamental design for a toaster, as shown and described.

(58) **Field of Classification Search**
USPC D7/328, 330, 347–350.4, 402–408
CPC A21B 1/00; A21B 1/02; A47J 37/00; A47J 37/06; A47J 37/08; A47J 37/041; A47J 37/044; A47J 37/049; A47J 37/0611; A47J 37/0635; A47J 37/0807; A47J 37/0814; A47J 37/0857; A47J 36/32; H05B 1/02; A21C 11/08; F23M 7/00
See application file for complete search history.

DESCRIPTION

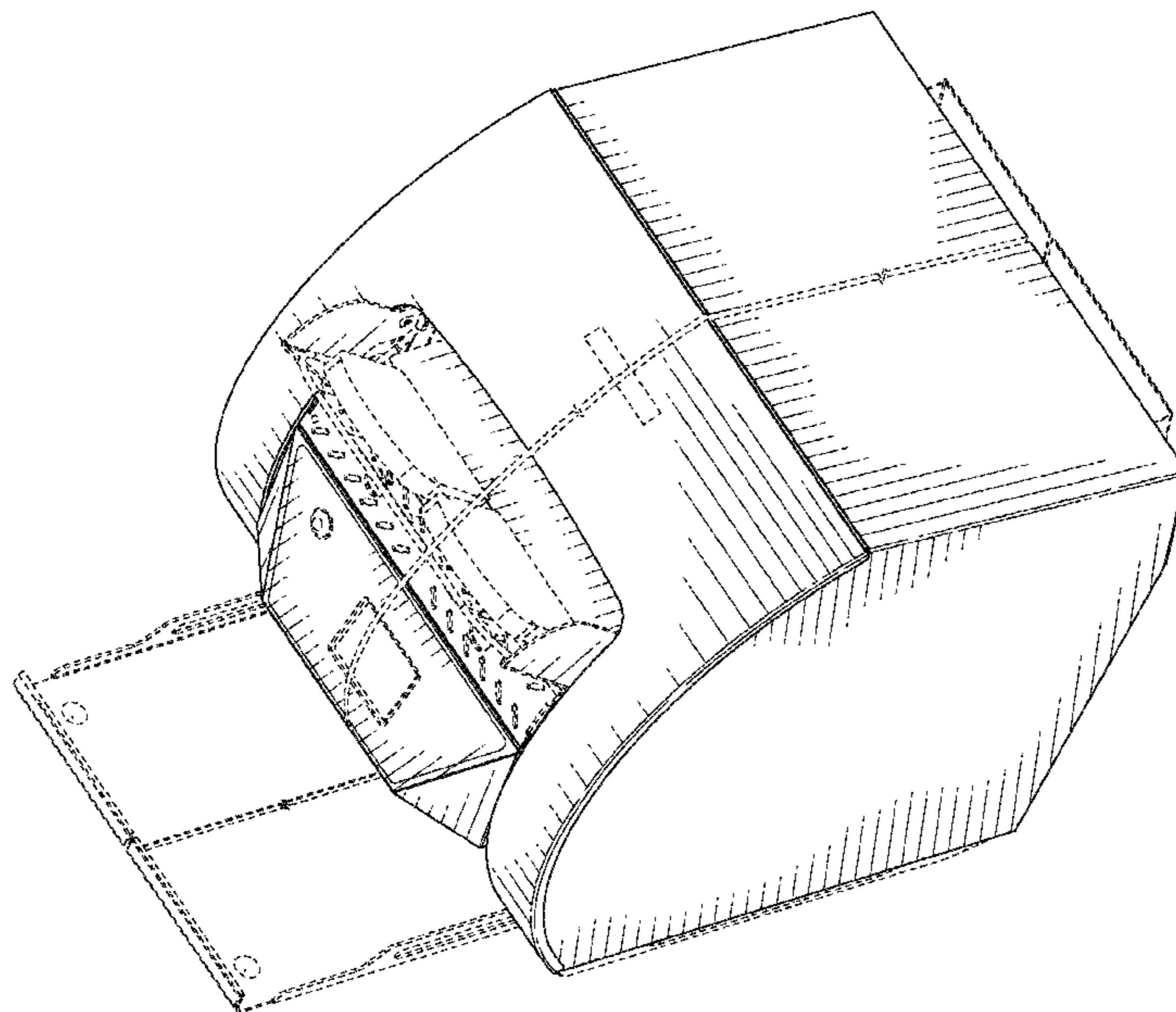
(56) **References Cited**

U.S. PATENT DOCUMENTS

2,920,551 A * 1/1960 Schmall A47J 37/0814
99/329 P
6,199,548 B1 * 3/2001 Hsu F23M 7/00
126/190
D459,140 S * 6/2002 Bellerose D7/328
D489,565 S * 5/2004 Averty D7/330
D495,195 S * 8/2004 Enriquez D7/330

FIG. 1 is a perspective view of the toaster; FIG. 2 is a front view of the toaster; FIG. 3 is a rear view of the toaster; FIG. 4 is a right view of the toaster; FIG. 5 is a left view of the toaster; FIG. 6 is a top view of the toaster; and, FIG. 7 is a bottom view of the toaster. The ornamental design which is claimed is shown in solid lines in the figures. The dash-dash broken lines form no part of the claimed design. The pairs of closely adjacent, spaced jagged broken lines in the figures form no part of the claimed design and the portions between such pairs of jagged broken lines are broken away to disclose indeterminate length. Portions of the design that may be visible between the jagged lines have been removed for clarity.

1 Claim, 7 Drawing Sheets



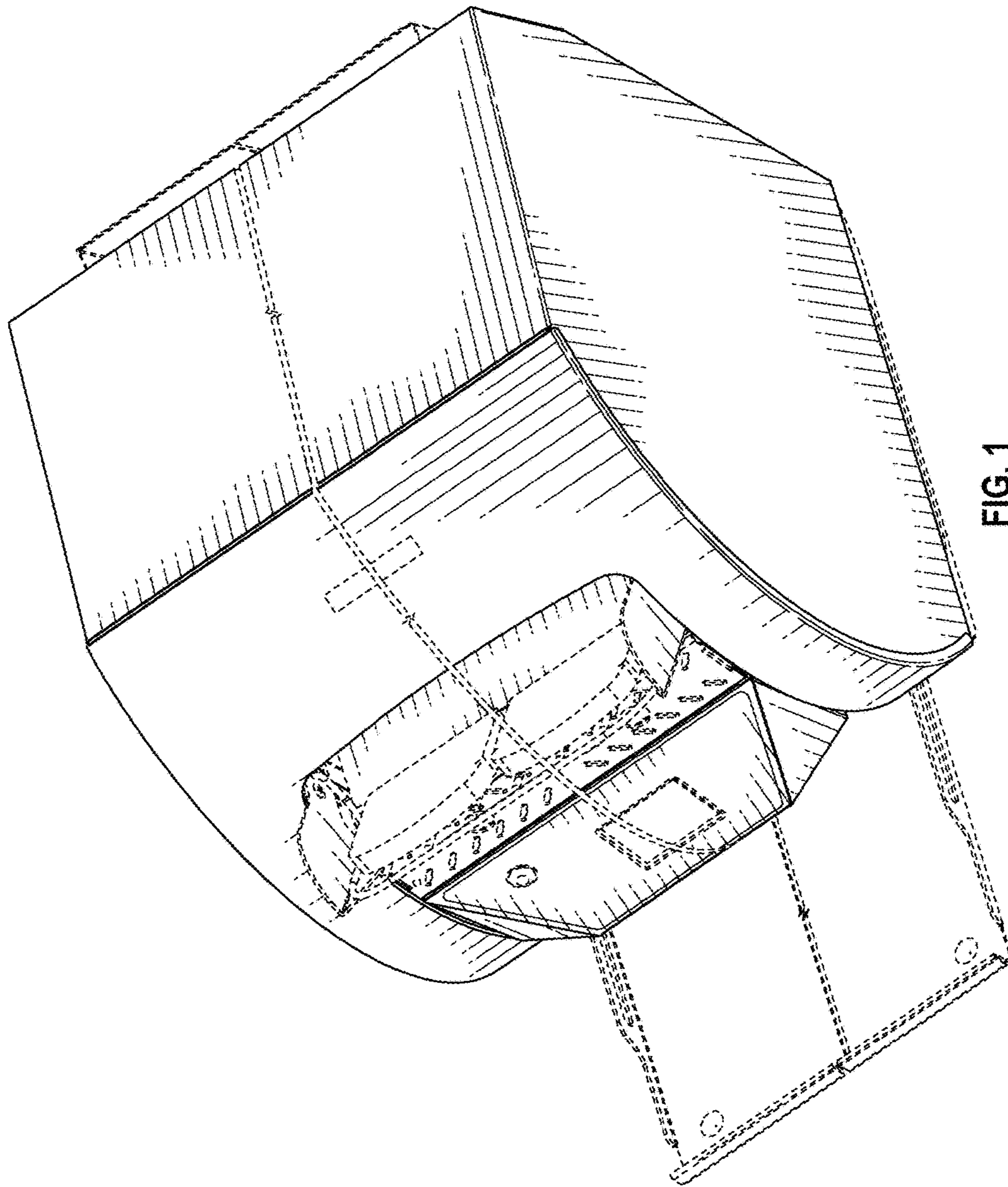


FIG. 1

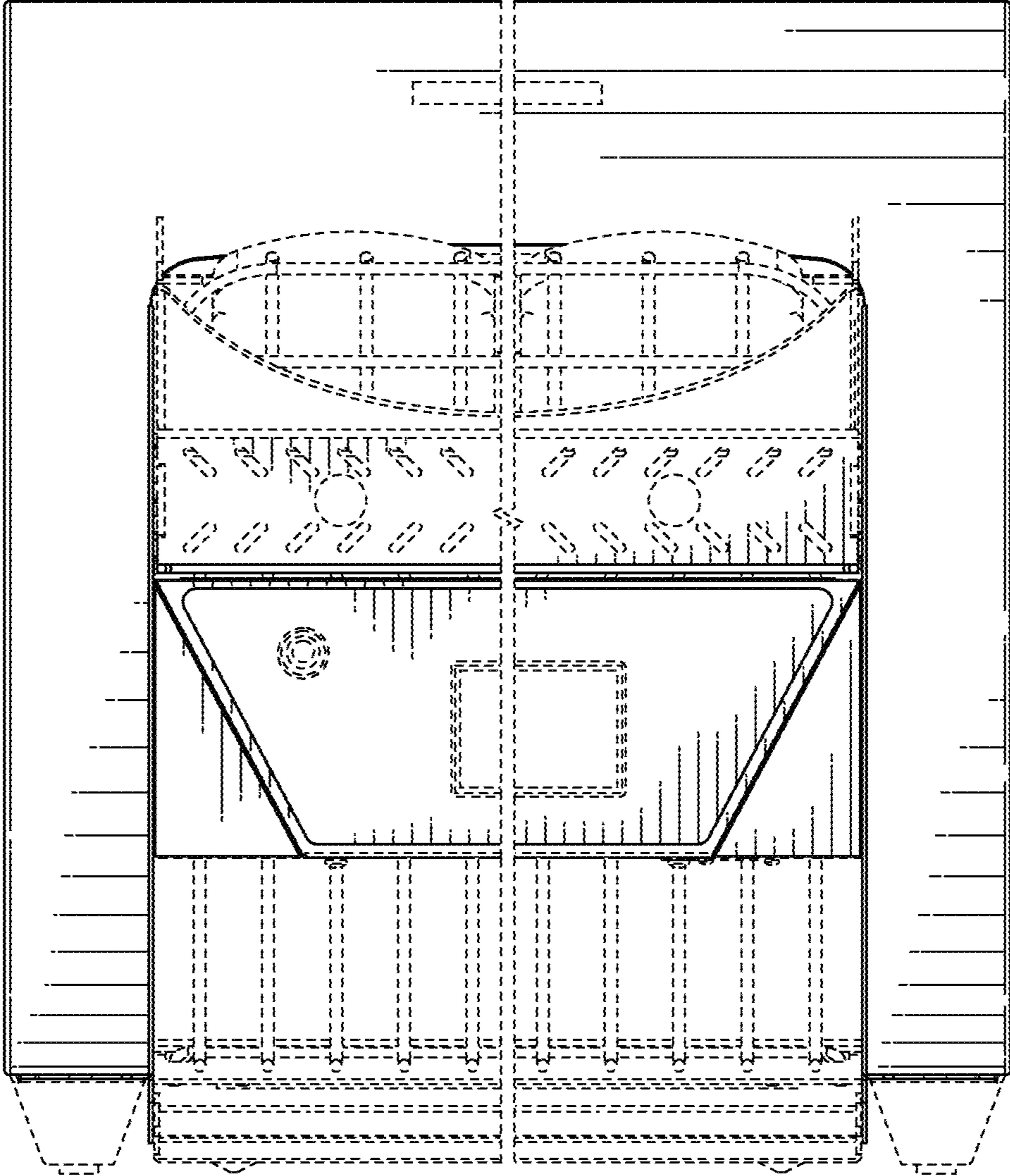


FIG. 2

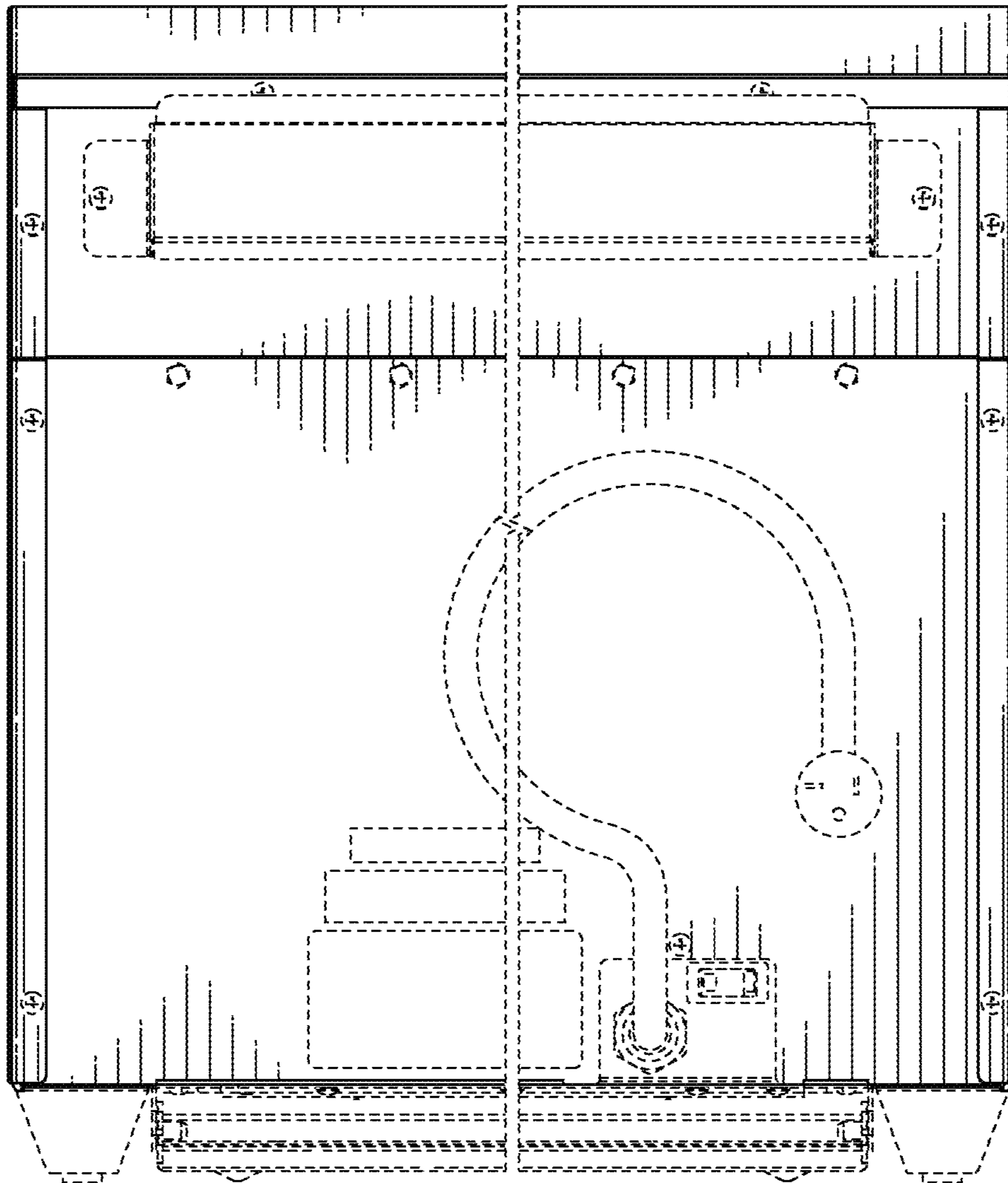


FIG. 3

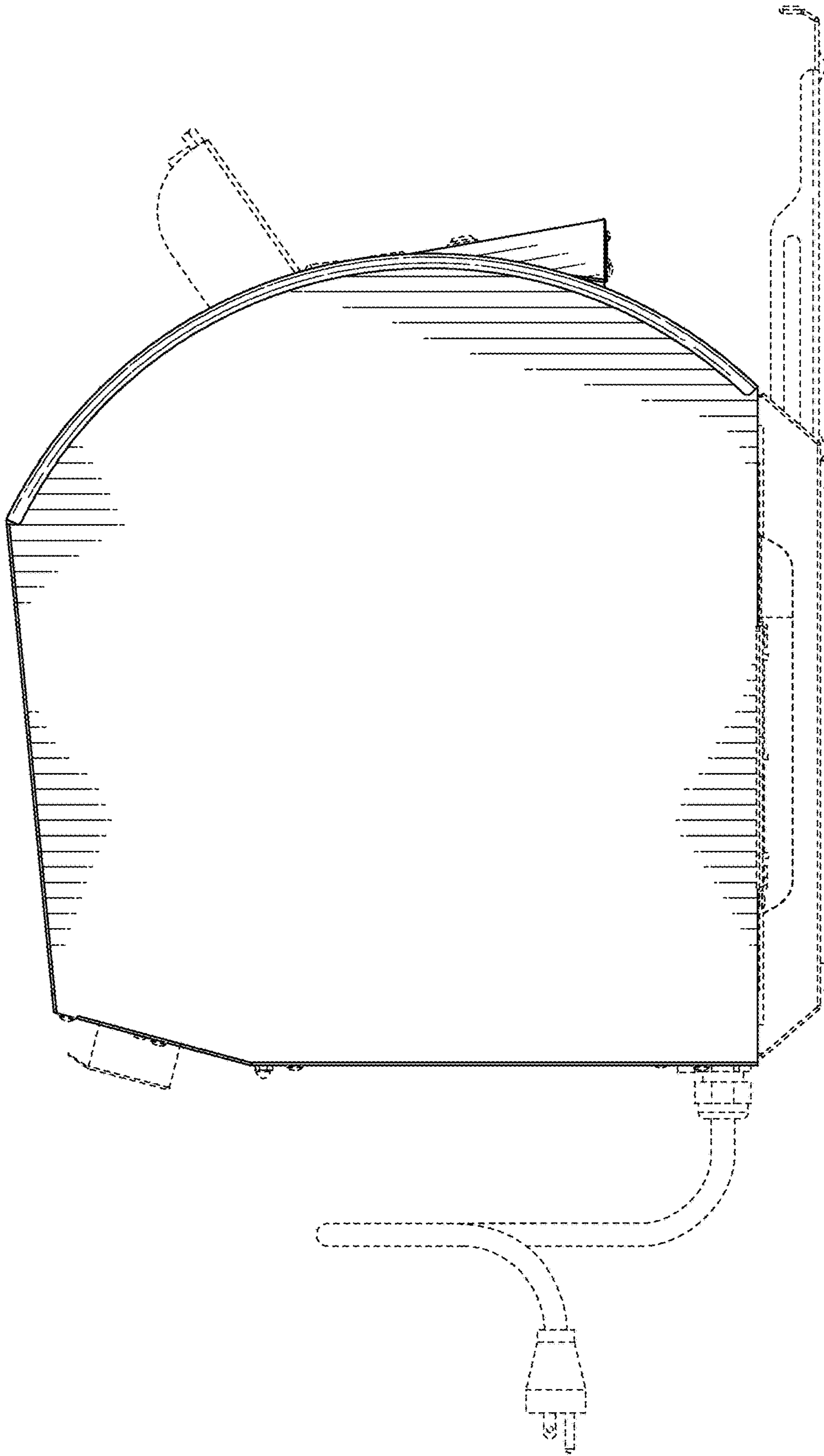


FIG. 4

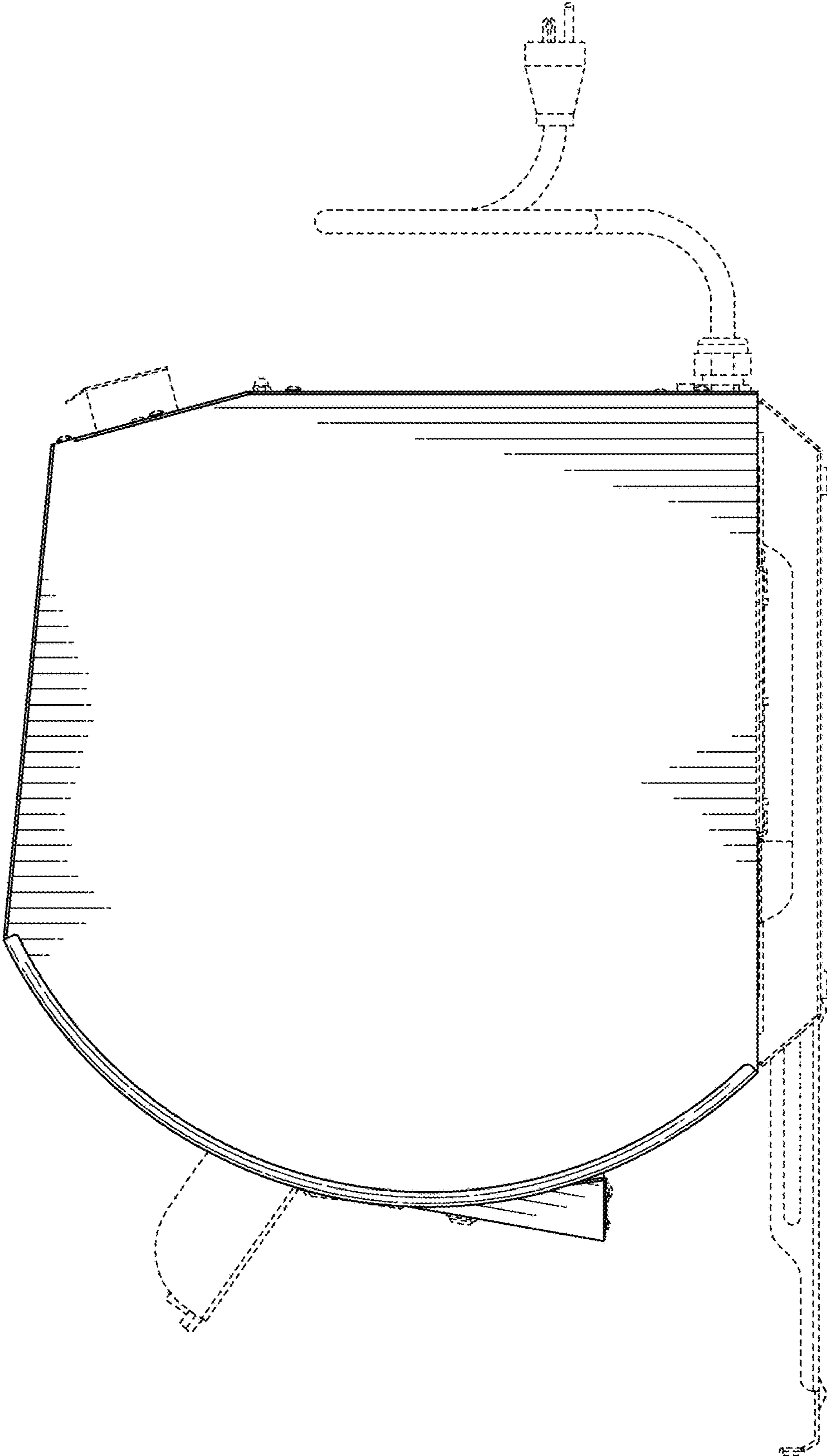


FIG. 5

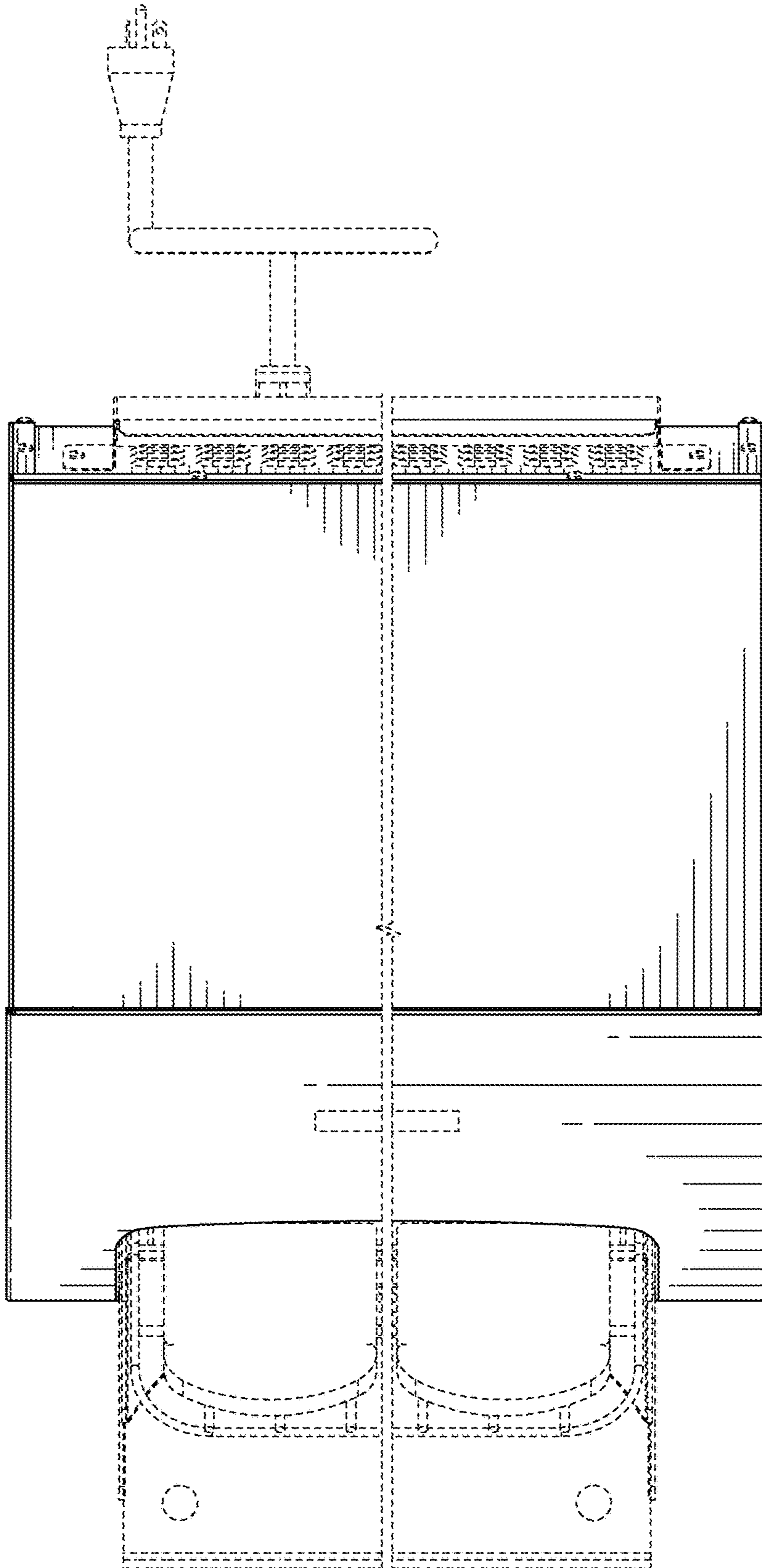


FIG. 6

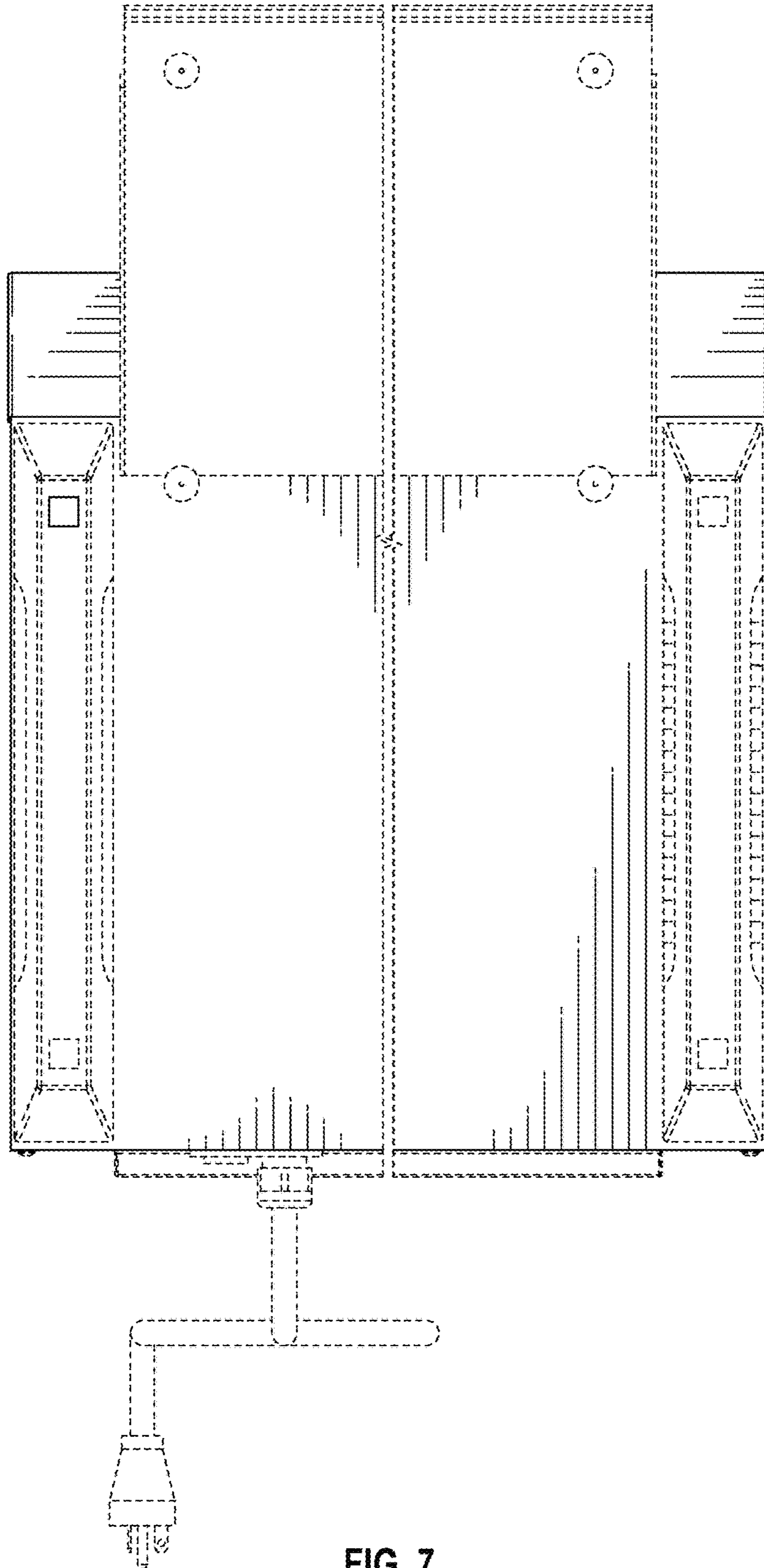


FIG. 7