

US00D836962S

(12) **United States Design Patent**
Shotey et al.

(10) **Patent No.:** **US D836,962 S**
(45) **Date of Patent:** **** Jan. 1, 2019**

- (54) **WATER PITCHER**
- (71) Applicant: **Bonvi Water, Inc.**, Scottsdale, AZ (US)
- (72) Inventors: **Marcus J. Shotey**, Scottsdale, AZ (US); **Daniel Allen**, Tempe, AZ (US)
- (73) Assignee: **Bonvi Water, Inc.**, Scottsdale, AZ (US)
- (**) Term: **15 Years**
- (21) Appl. No.: **29/604,653**
- (22) Filed: **May 18, 2017**
- (51) **LOC (11) Cl.** **07-01**
- (52) **U.S. Cl.**
USPC **D7/312**
- (58) **Field of Classification Search**
USPC D7/316-321, 378, 384, 598, 600, 619.1, D7/622; D9/544, 545, 548, 549
CPC A47J 31/00; A47G 19/22
See application file for complete search history.

D798,643 S * 10/2017 Rummel D7/318

* cited by examiner

Primary Examiner — Daniel D Bui

Assistant Examiner — Andrew Kerr

(74) *Attorney, Agent, or Firm* — Booth Udall Fuller, PLC

(56) **References Cited**

U.S. PATENT DOCUMENTS

- D630,894 S * 1/2011 Harris D7/316
- D651,446 S * 1/2012 Sheppard D7/317
- 9,382,131 B1 * 7/2016 Shotey C02F 1/003

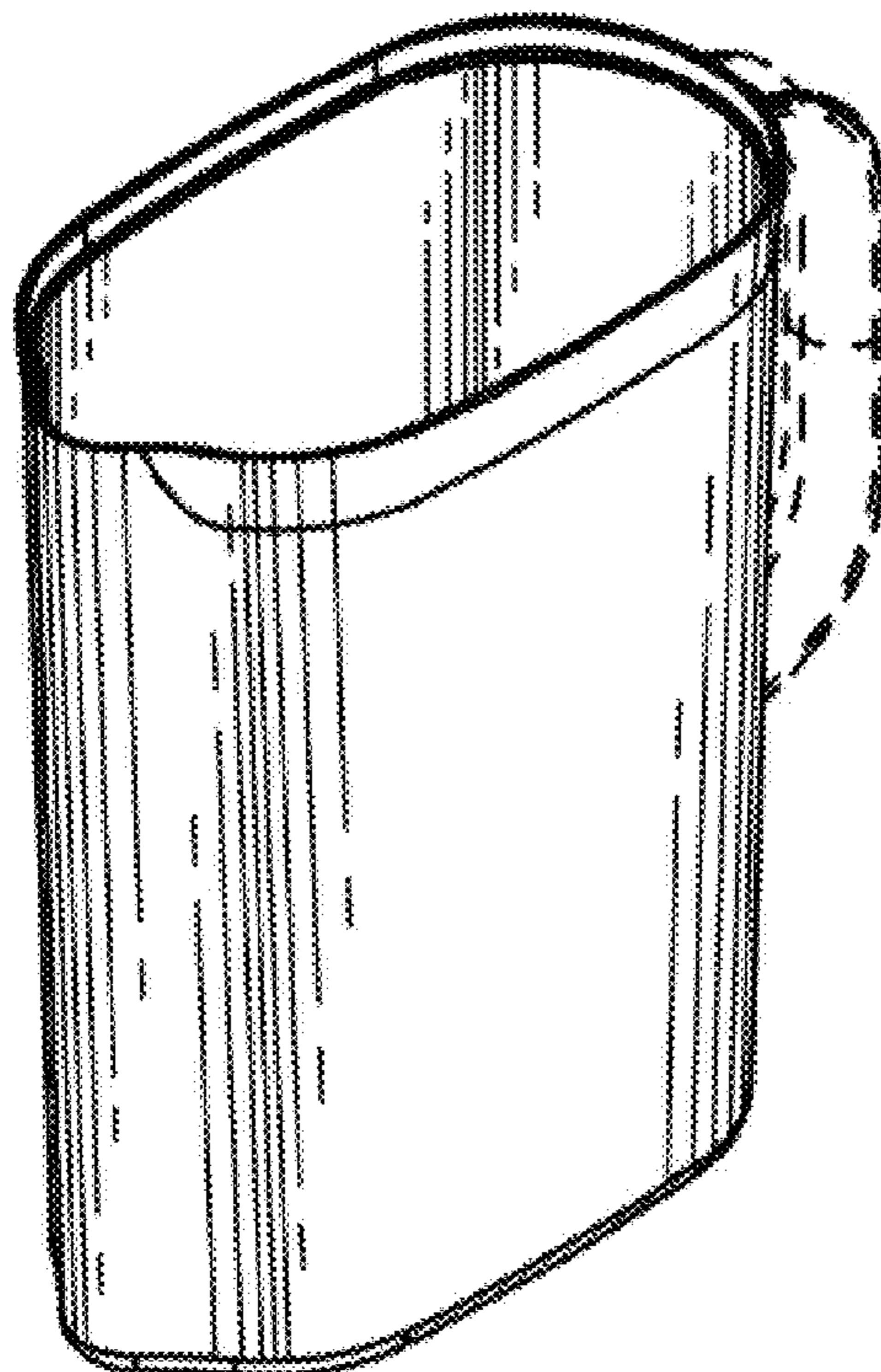
(57) **CLAIM**

The ornamental design for a water pitcher, as shown and described.

DESCRIPTION

FIG. 1 is a top view of a water pitcher, showing our new design;
 FIG. 2 is left side view thereof;
 FIG. 3 is a front view thereof;
 FIG. 4 is a right side view thereof;
 FIG. 5 is a rear view thereof;
 FIG. 6 is a bottom view thereof; and,
 FIG. 7 is a perspective view thereof.
 The broken lines are included for the purpose of illustrating environmental features and form no part of the claimed design.

1 Claim, 1 Drawing Sheet



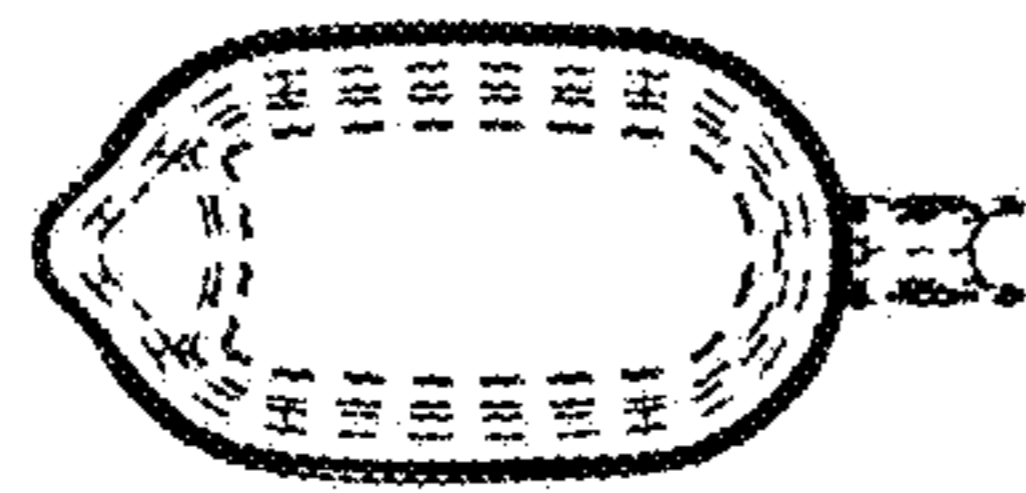


FIG. 1

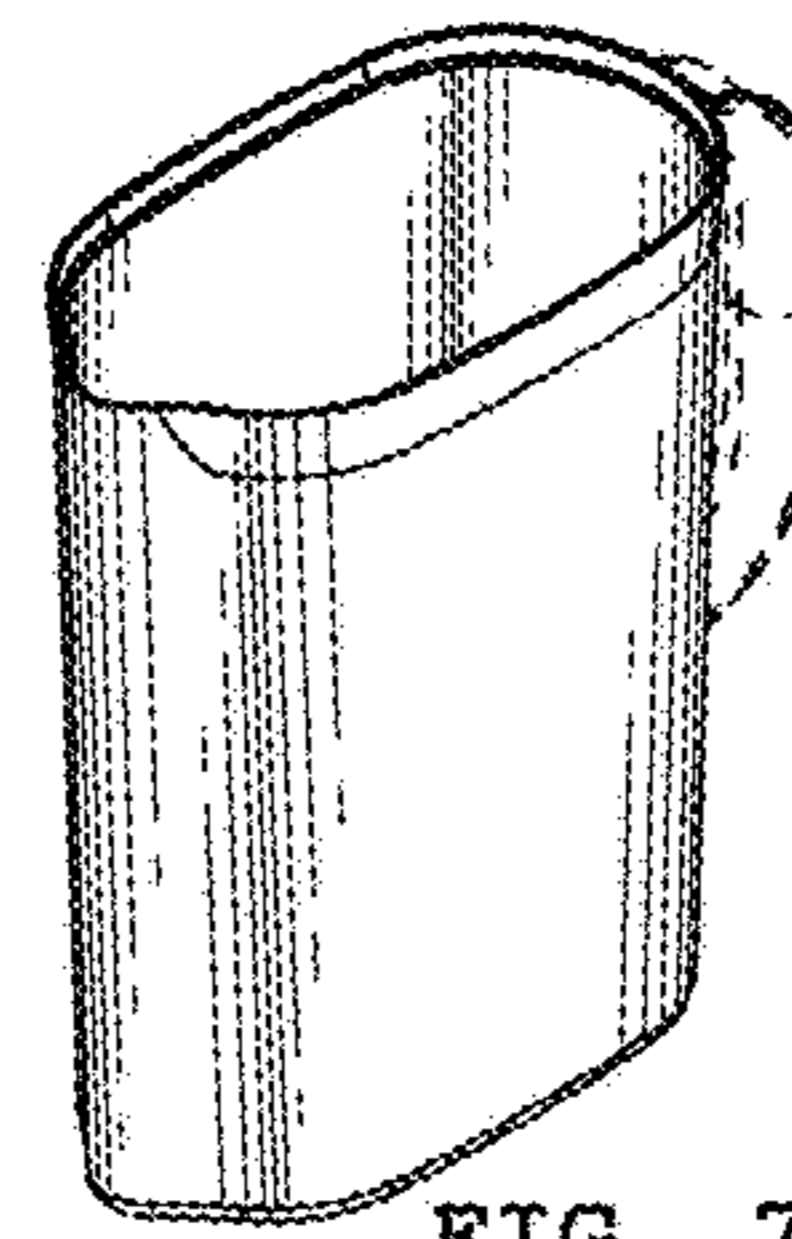


FIG. 7

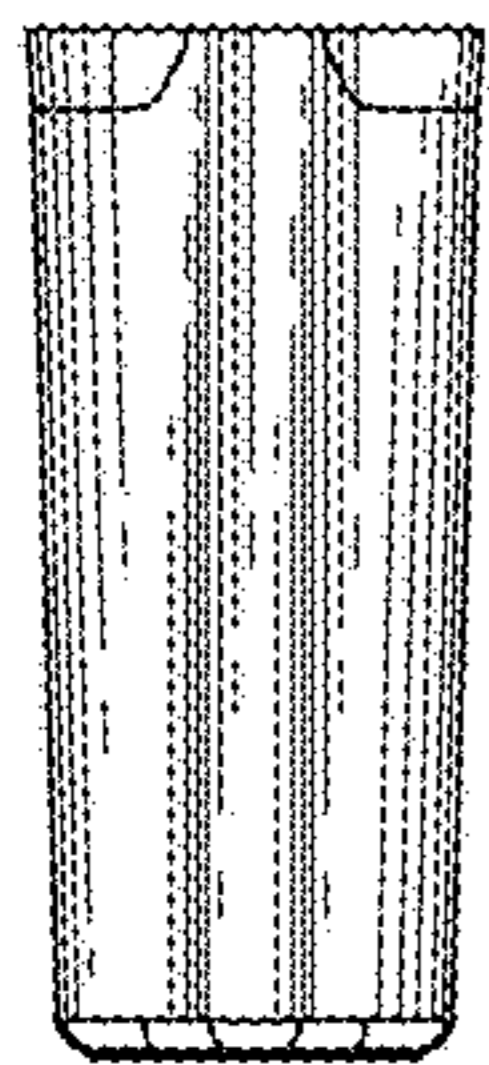


FIG. 3

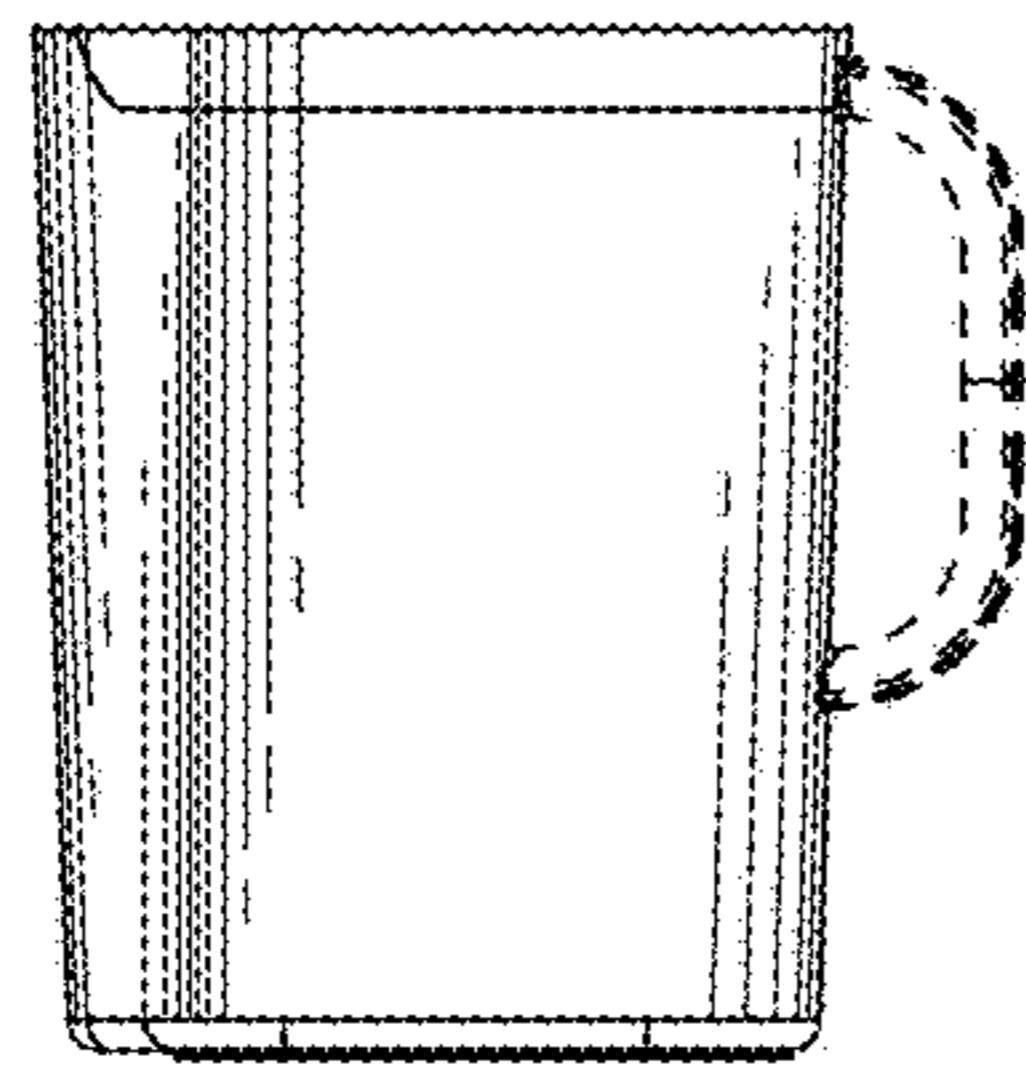


FIG. 2

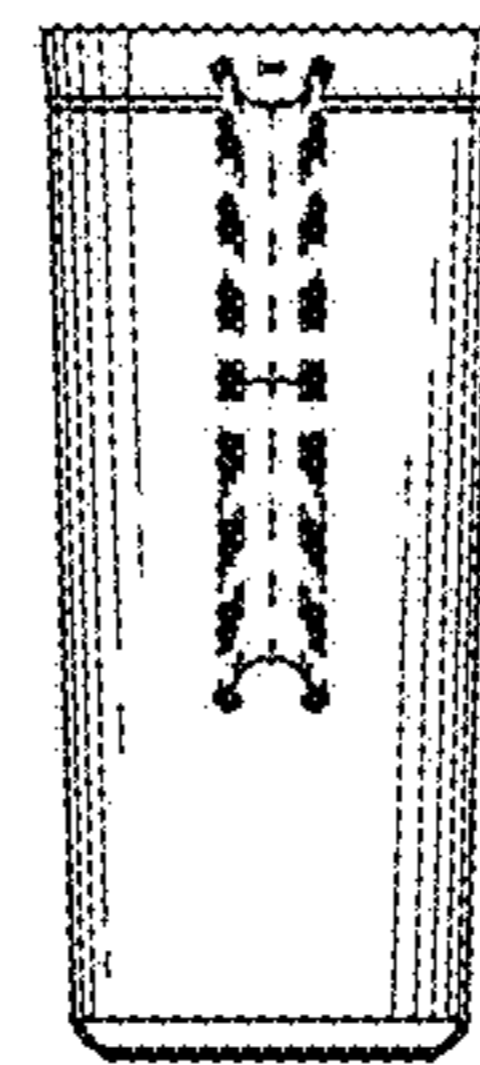


FIG. 5

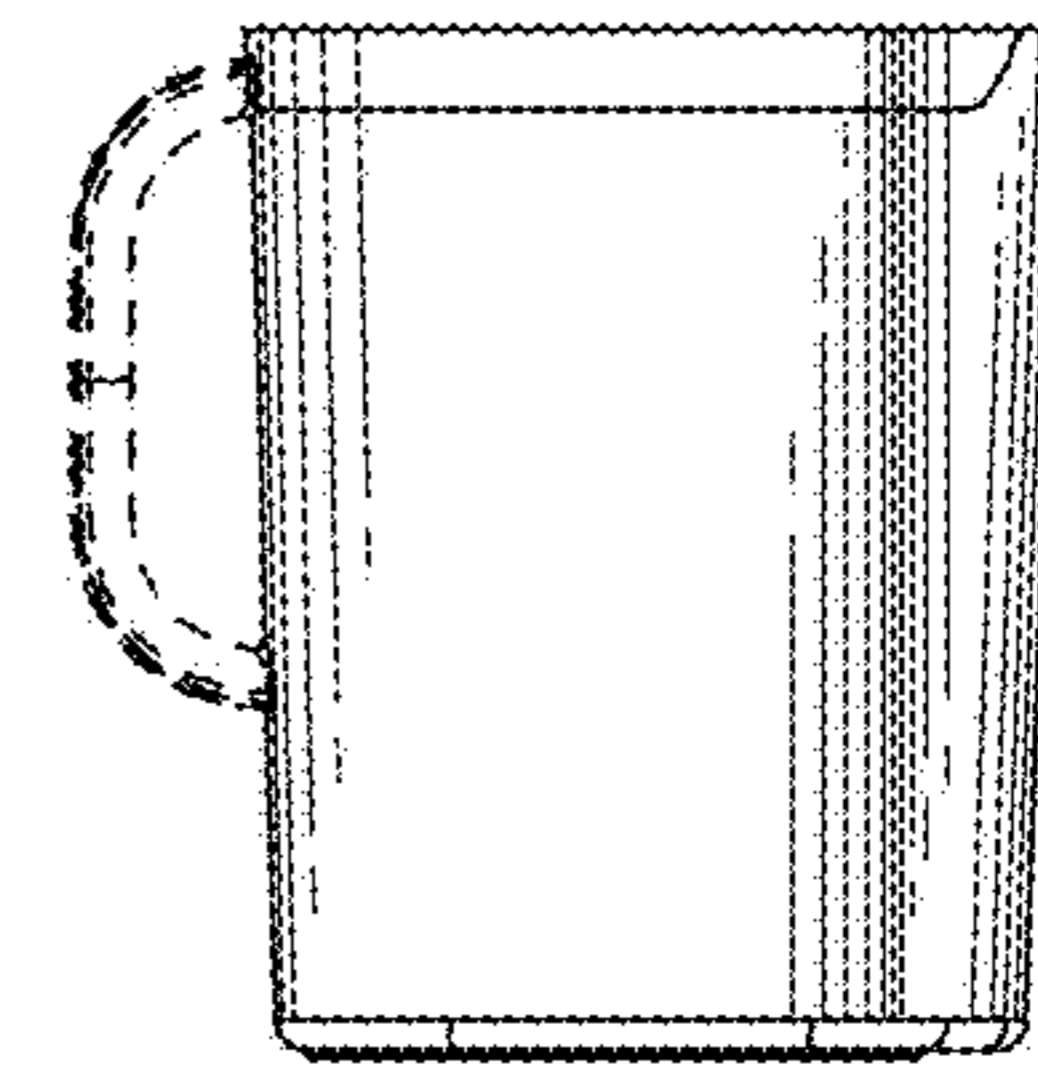


FIG. 4

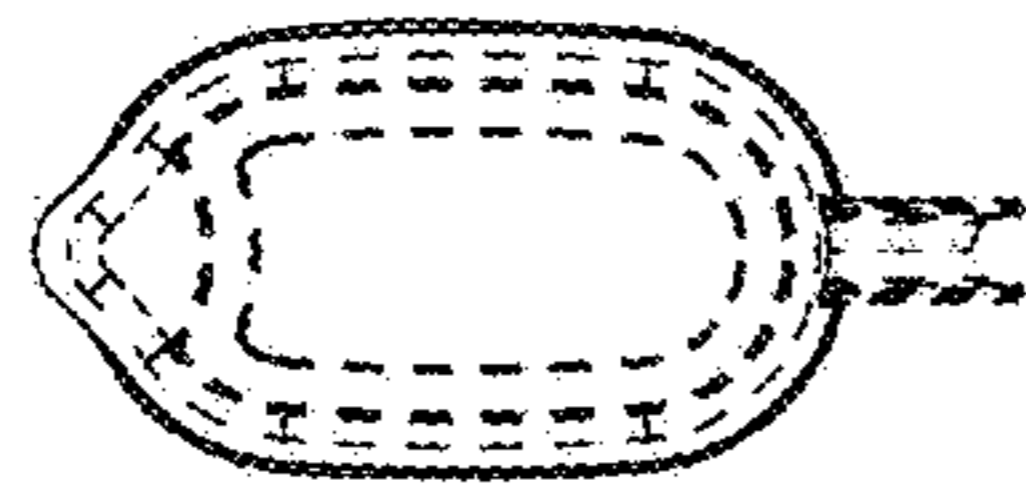


FIG. 6