



US00D836960S

(12) **United States Design Patent** (10) **Patent No.:** **US D836,960 S**
Rockwell et al. (45) **Date of Patent:** **** Jan. 1, 2019**

(54) **TABLE**

(71) Applicant: **Knoll, Inc.**, East Greenville, PA (US)

(72) Inventors: **David Rockwell**, New York, NY (US);
Barry Richards, New York, NY (US)

(73) Assignee: **Knoll, Inc.**, East Greenville, PA (US)

(**) Term: **15 Years**

(21) Appl. No.: **29/563,996**

(22) Filed: **May 10, 2016**

(51) **LOC (11) Cl.** **06-03**

(52) **U.S. Cl.**
USPC **D6/692.4**

(58) **Field of Classification Search**
USPC D6/349, 685, 690, 692, 692.1-692.6
CPC A47B 7/00; A47B 13/00; A47B 13/003;
A47B 13/02; A47B 13/023; A47B 13/04;
A47B 13/06; A47B 13/08; A47B 13/081;
A47B 13/12; A47B 21/00; A47B
2200/0011; A47B 2200/0015; A47B
2200/0016; A47B 2200/002
See application file for complete search history.

D267,609 S * 1/1983 Reistetter D6/692.5
D267,610 S * 1/1983 Reistetter A47B 13/06
D6/692.5
D291,752 S * 9/1987 Conn D6/692
5,435,510 A * 7/1995 Wey A47B 13/06
248/163.1
D361,230 S 8/1995 Vignelli et al.
D557,524 S * 12/2007 Simpson D6/692.4
D720,169 S * 12/2014 Lenhart D6/708.16
D780,492 S * 3/2017 Terada D6/349
2017/0354243 A1 * 12/2017 Egerhazy A47F 5/16

* cited by examiner

Primary Examiner — Mary Ann Calabrese
(74) *Attorney, Agent, or Firm* — Buchanan Ingersoll & Rooney PC

(57) **CLAIM**

The ornamental design for a table, as shown and described.

DESCRIPTION

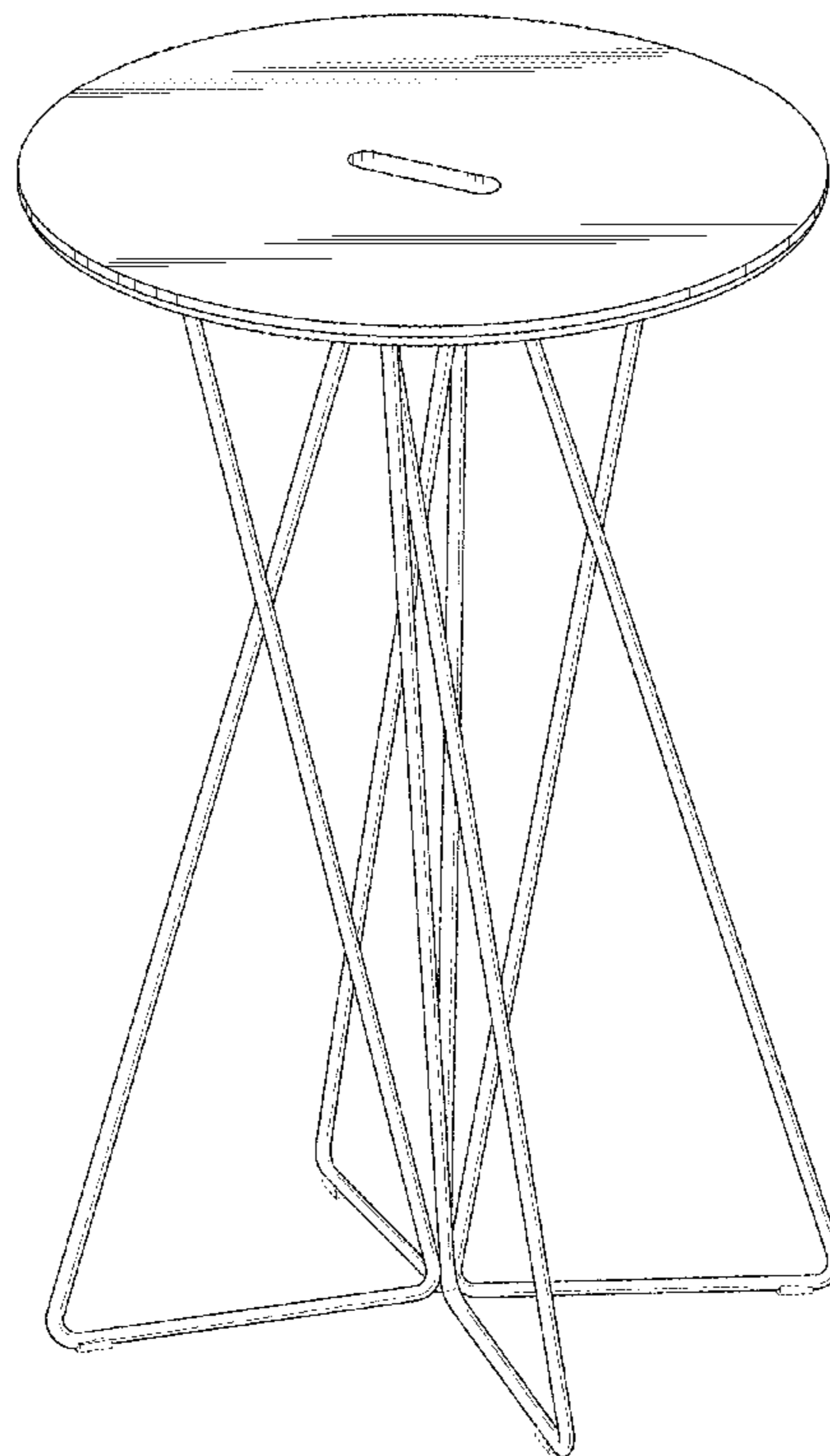
FIG. 1 is a perspective view of a table showing our new design;
FIG. 2 is a front elevational view thereof;
FIG. 3 is a rear elevational view thereof;
FIG. 4 is a top plan view thereof;
FIG. 5 is a bottom plan view thereof;
FIG. 6 is a left side elevational view thereof; and,
FIG. 7 is a right side elevational view thereof.
The broken lines shown in the drawing Figures form no part of the claimed design.

1 Claim, 7 Drawing Sheets

(56) **References Cited**

U.S. PATENT DOCUMENTS

D168,333 S * 12/1952 Coble D6/708.16
D246,341 S * 11/1977 Boughton D6/692.4



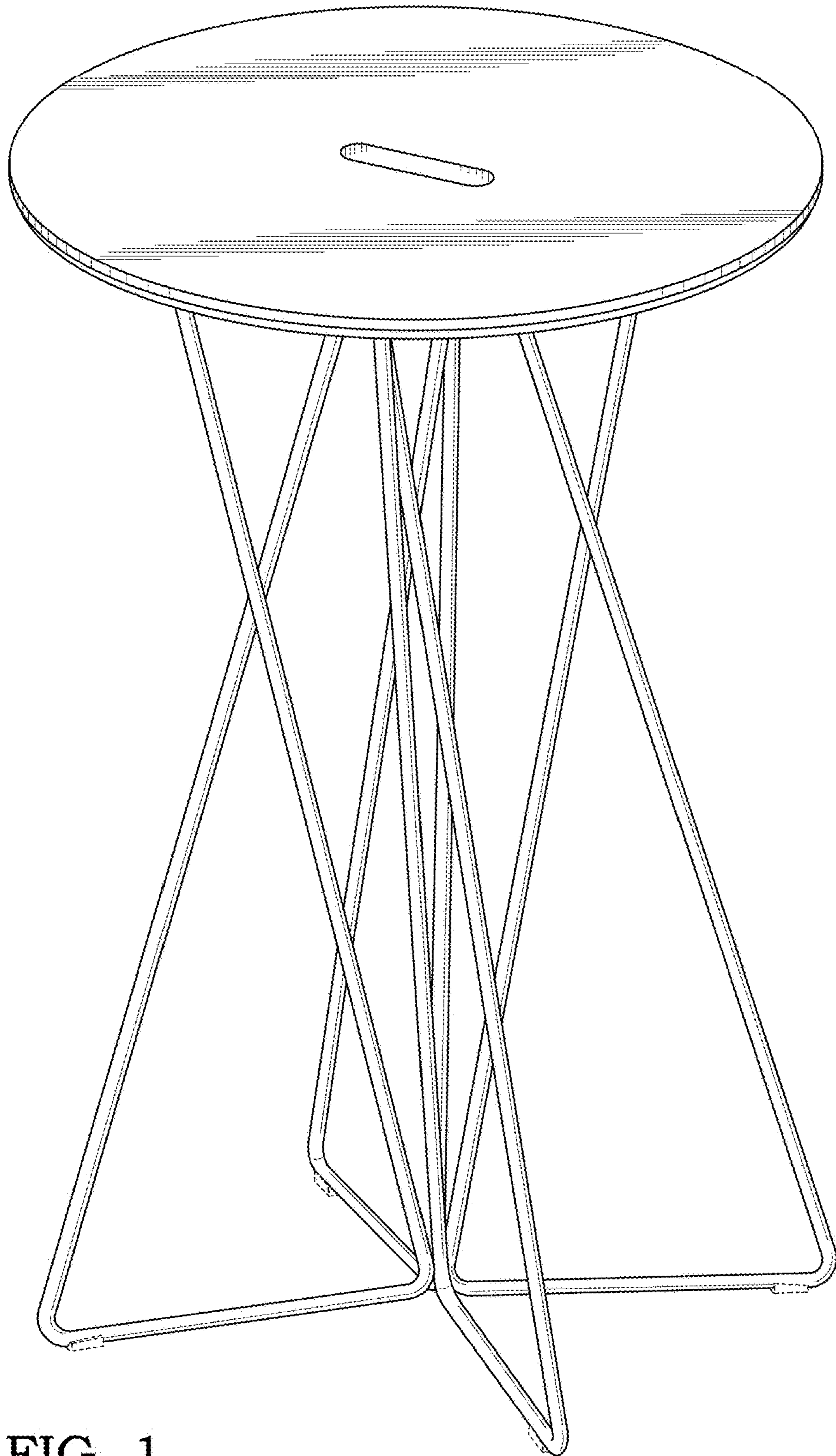


FIG. 1

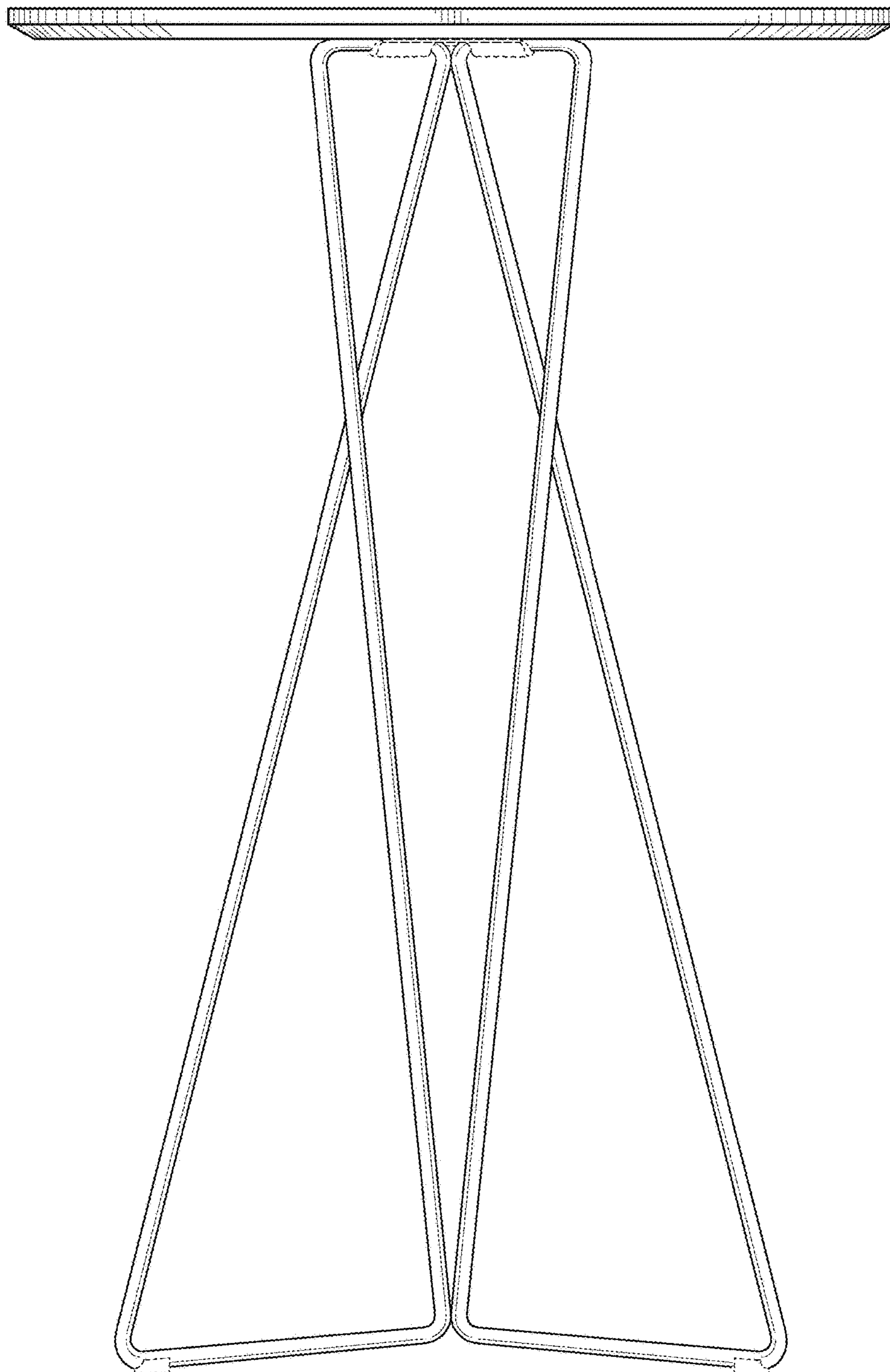


FIG. 2

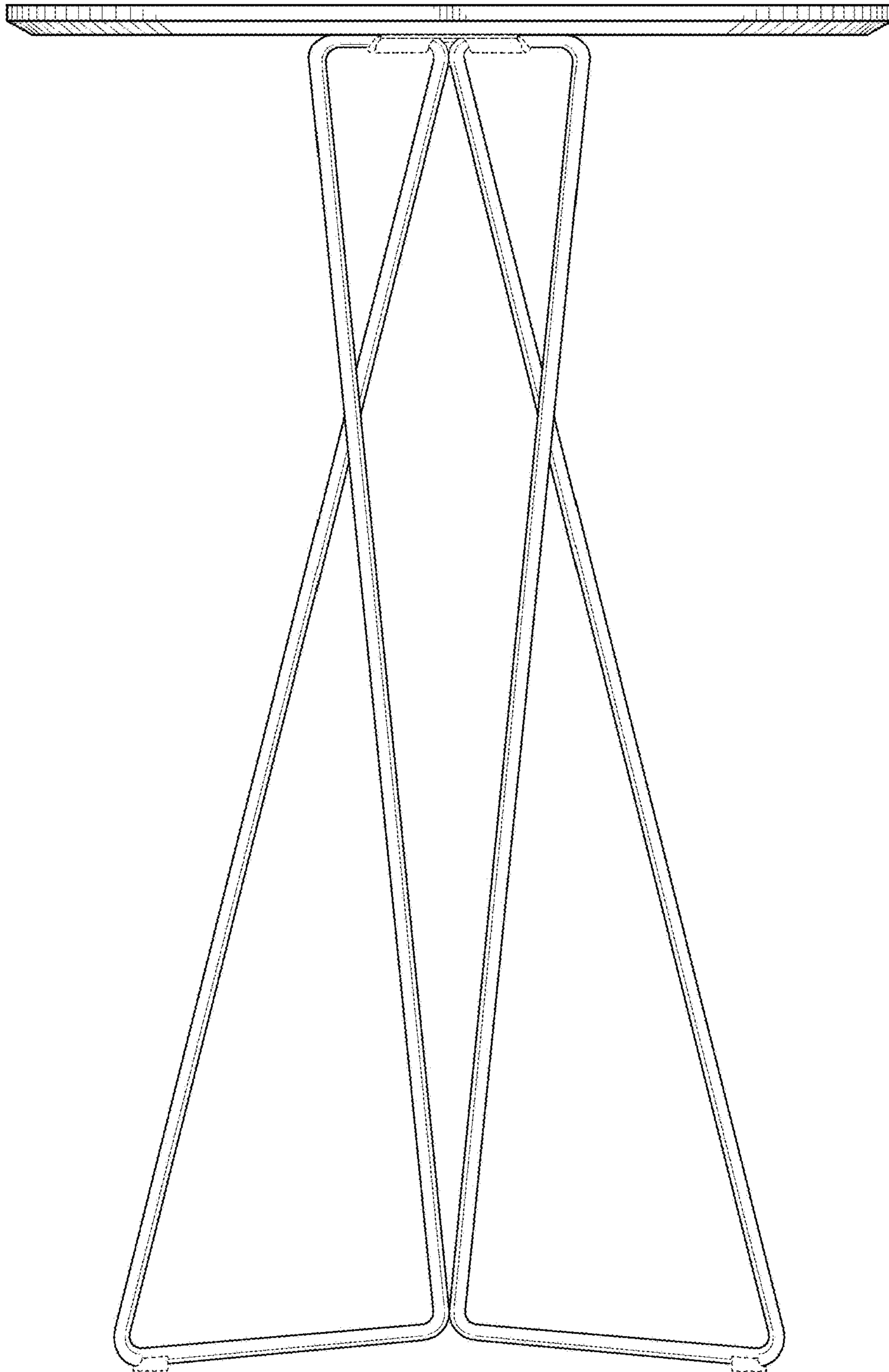


FIG. 3

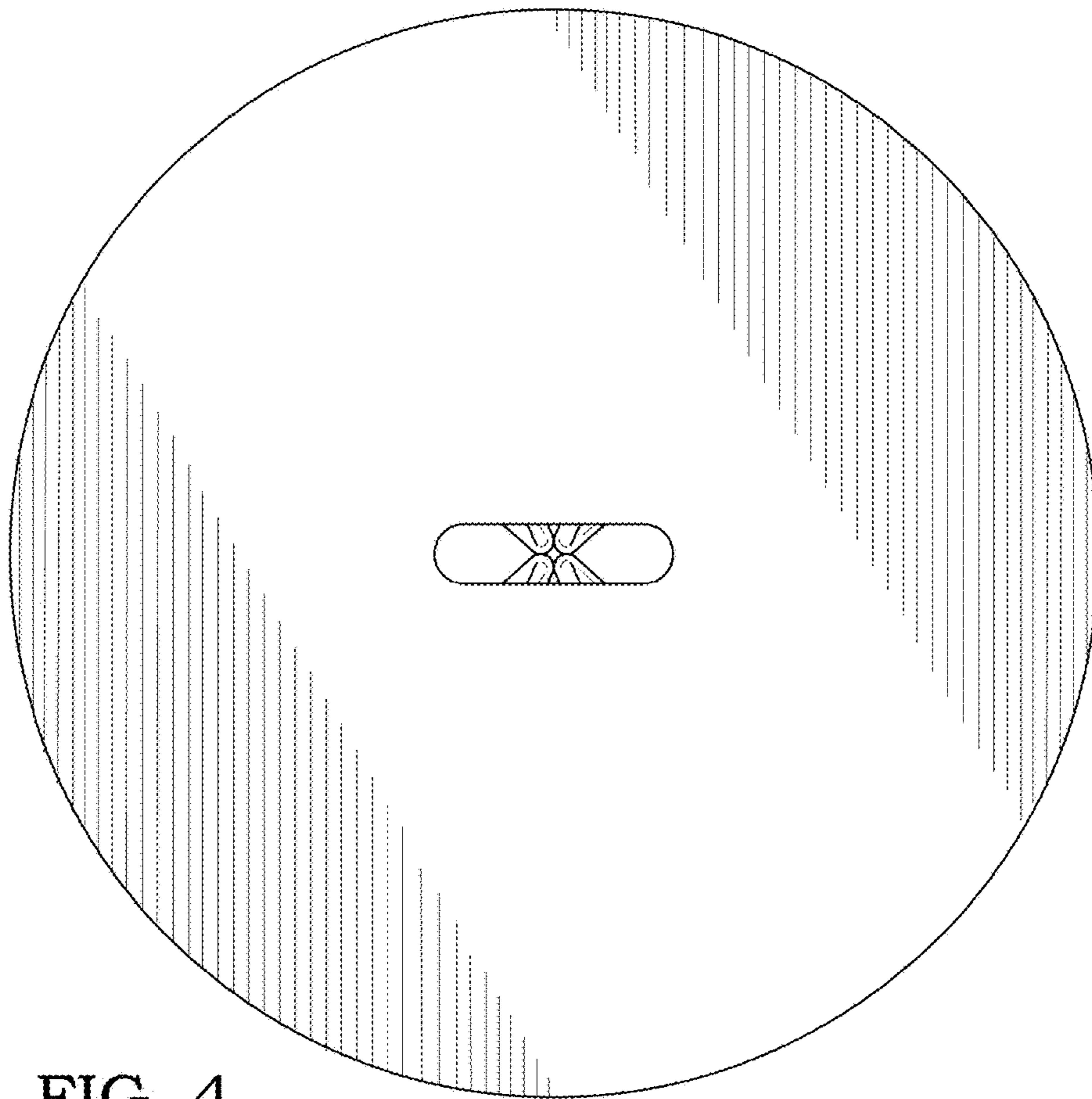


FIG. 4

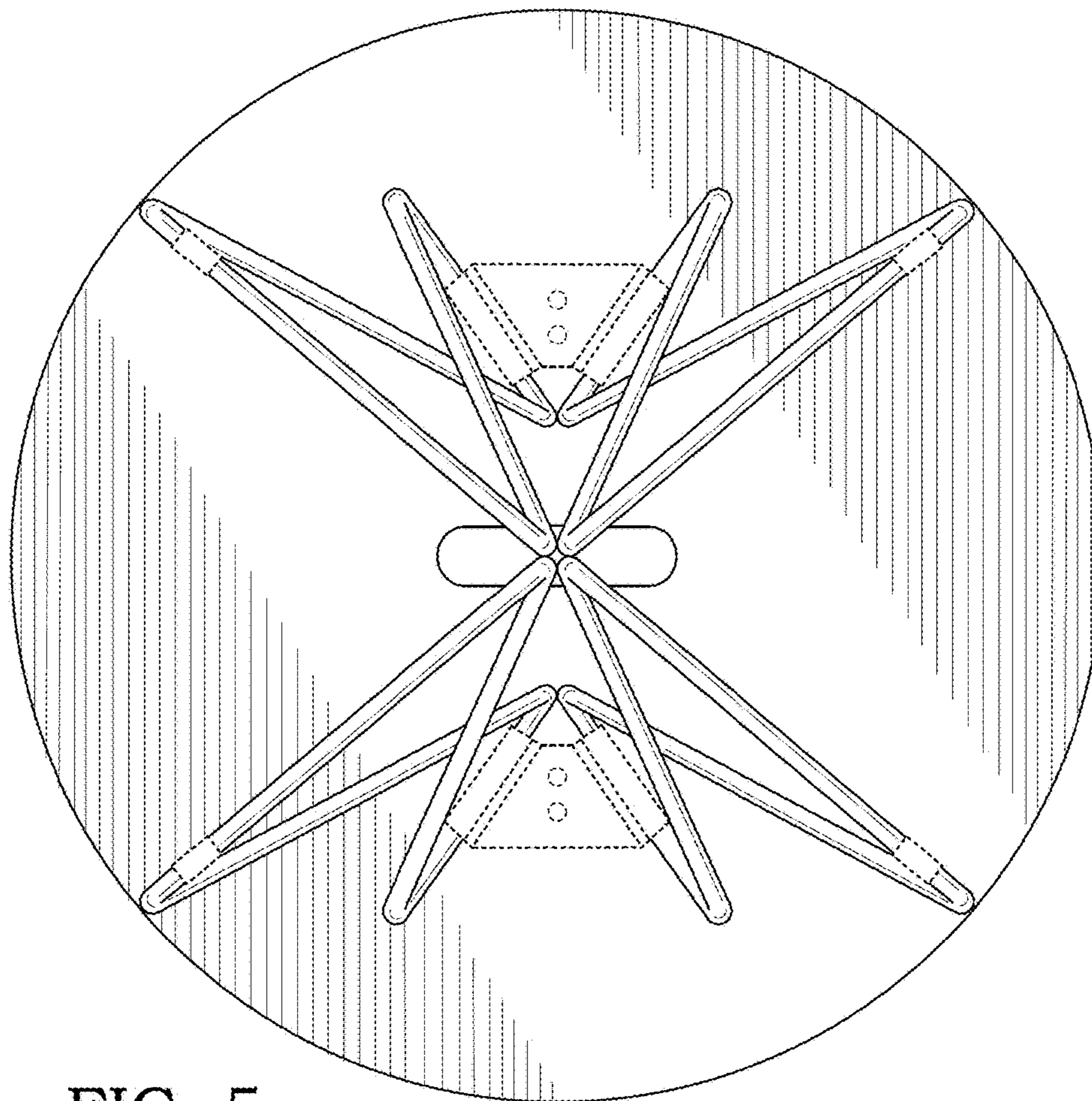


FIG. 5

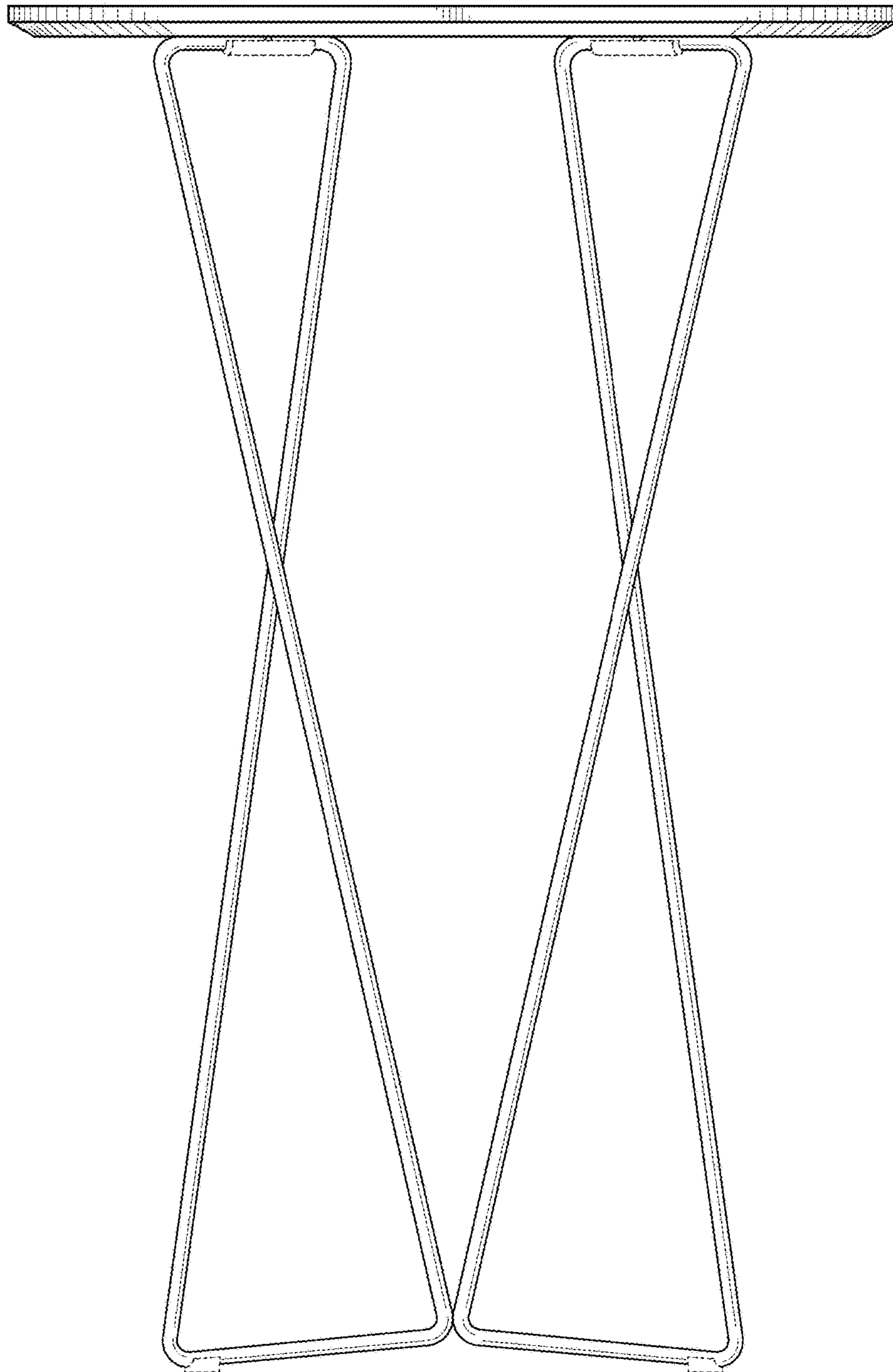


FIG. 6

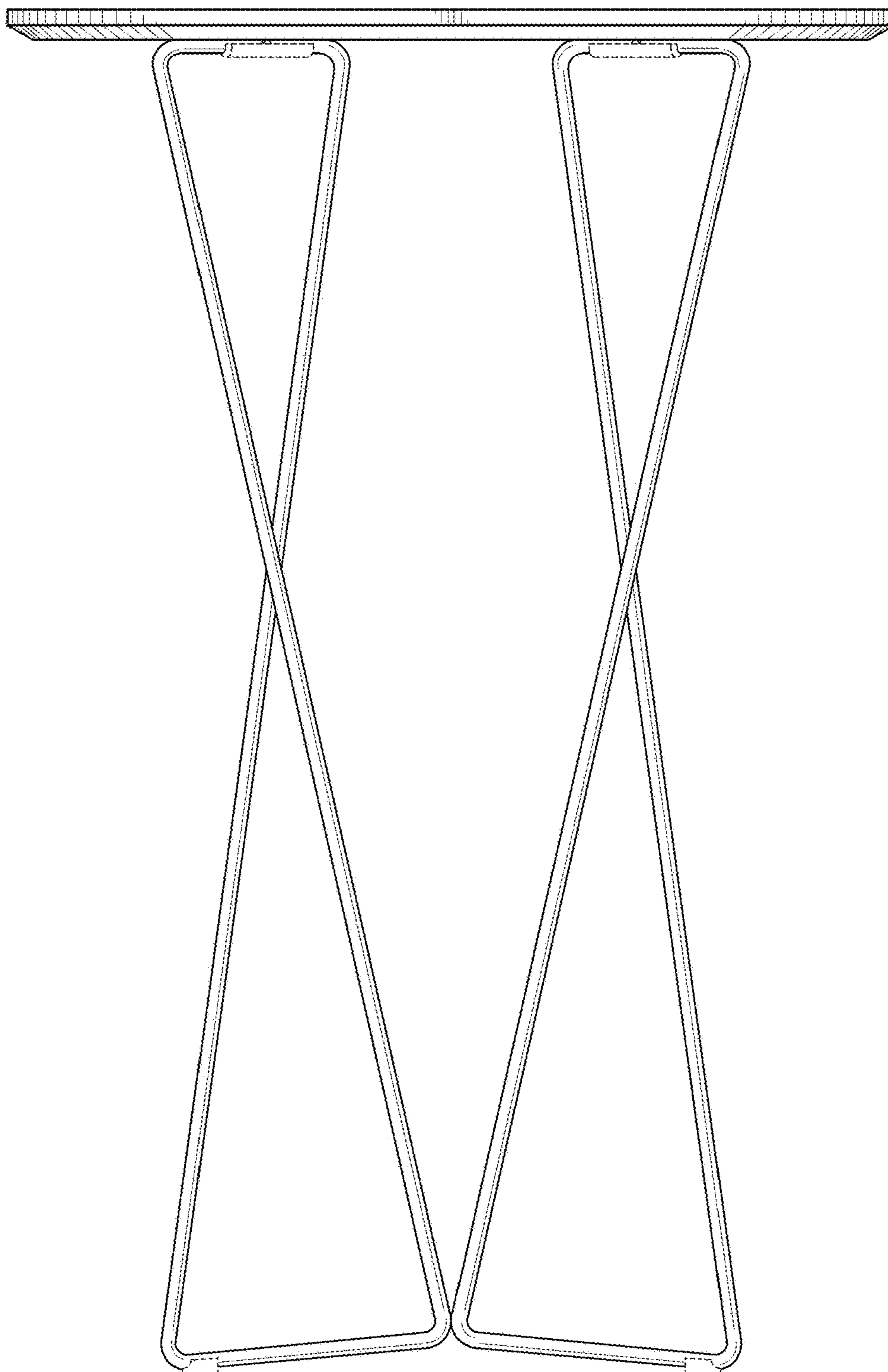


FIG. 7