



US00D836959S

(12) **United States Design Patent**  
**de la Haye**

(10) **Patent No.:** **US D836,959 S**

(45) **Date of Patent:** **\*\* Jan. 1, 2019**

(54) **TABLE**  
(71) Applicant: **Cornelis Franciscus de la Haye, RP**  
Den Haag (NL)  
(72) Inventor: **Cornelis Franciscus de la Haye, RP**  
Den Haag (NL)

D361,457 S \* 8/1995 Laske ..... D6/692.4  
D361,458 S \* 8/1995 Laske ..... D6/692.4  
D471,742 S \* 3/2003 Muller ..... A47B 7/00  
D6/692.5  
D557,524 S \* 12/2007 Simpson ..... A47B 7/00  
D6/692.4  
9,049,922 B2 \* 6/2015 Schlueter ..... A47B 7/00  
2012/0318946 A1 \* 12/2012 Schlueter ..... A47B 7/00  
248/371  
2017/0354243 A1 \* 12/2017 Egerhazy ..... A47F 5/16

(\*\*) Term: **15 Years**

(21) Appl. No.: **29/562,894**

(22) Filed: **Apr. 29, 2016**

(30) **Foreign Application Priority Data**

Nov. 6, 2015 (EM) ..... 002850024-0001

(51) **LOC (11) Cl.** ..... **06-03**

(52) **U.S. Cl.**  
USPC ..... **D6/692.4**

(58) **Field of Classification Search**  
USPC ..... D6/349, 690, 685, 692, 692.1-692.6,  
D6/697.1

CPC ..... A47B 7/00; A47B 13/00; A47B 13/003;  
A47B 13/02; A47B 13/023; A47B 13/04;  
A47B 13/06; A47B 13/08; A47B 13/081;  
A47B 13/12; A47B 21/00; A47B  
2200/0011; A47B 2200/0015; A47B  
2200/0016; A47B 2200/002

See application file for complete search history.

(56) **References Cited**

**U.S. PATENT DOCUMENTS**

D182,037 S \* 2/1958 Noguchi ..... D6/692.4  
D233,709 S \* 11/1974 Williams ..... D6/692.1

\* cited by examiner

*Primary Examiner* — Mary Ann Calabrese

(74) *Attorney, Agent, or Firm* — Abelman, Frayne & Schwab

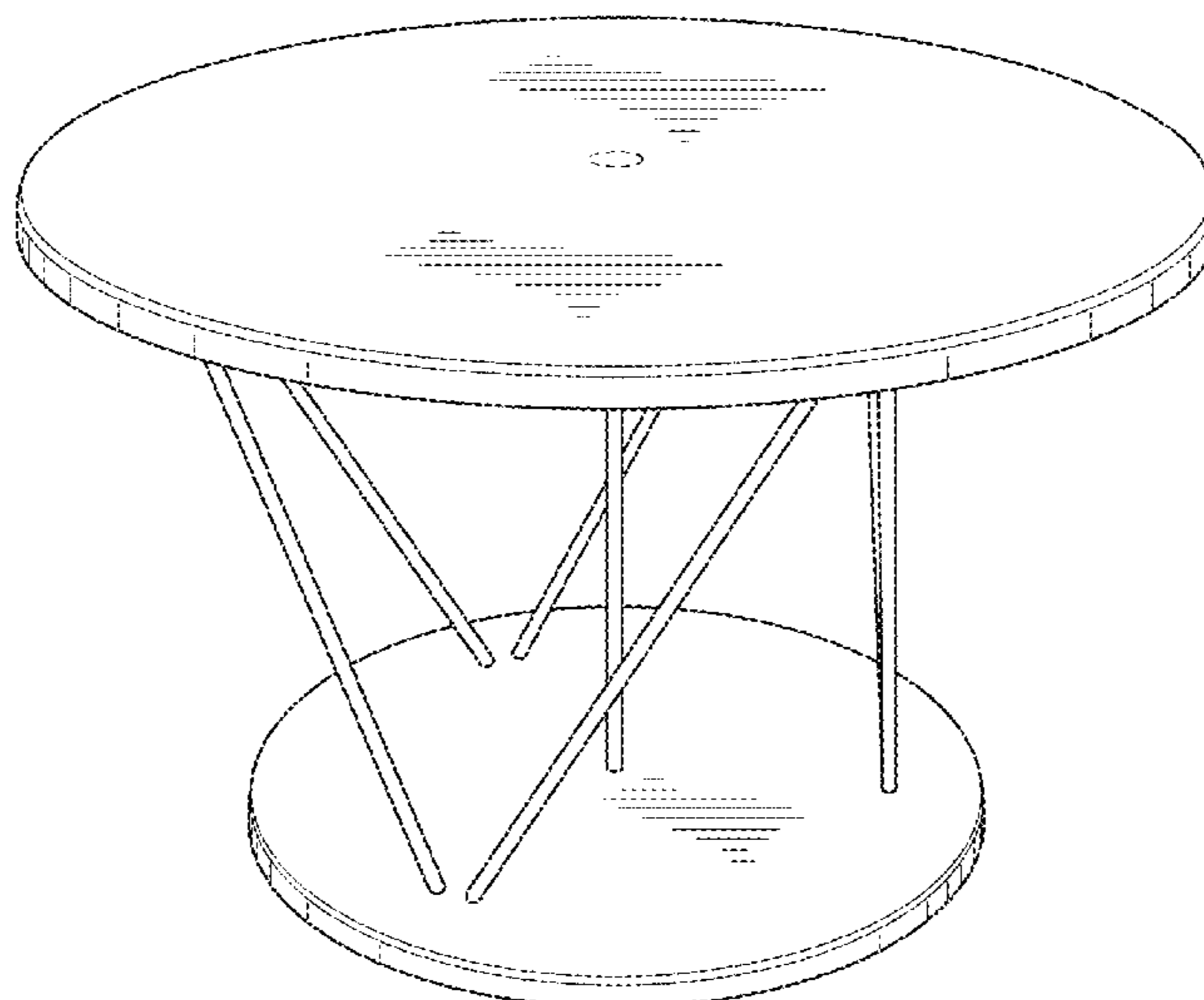
(57) **CLAIM**

The ornamental design for a table, as shown and described.

**DESCRIPTION**

FIG. 1 is a top, front, and left side perspective view of a table, according to the present invention;  
FIG. 2 is a bottom, front, and left side perspective view thereof;  
FIG. 3 is a front view thereof;  
FIG. 4 is a top plan thereof;  
FIG. 5 is a bottom plan thereof;  
FIG. 6 is a left side elevation view thereof; and,  
FIG. 7 is a top, front, and right side perspective view thereof.  
The portions of the disclosure that are shown in broken lines form no part of the claimed design.

**1 Claim, 7 Drawing Sheets**



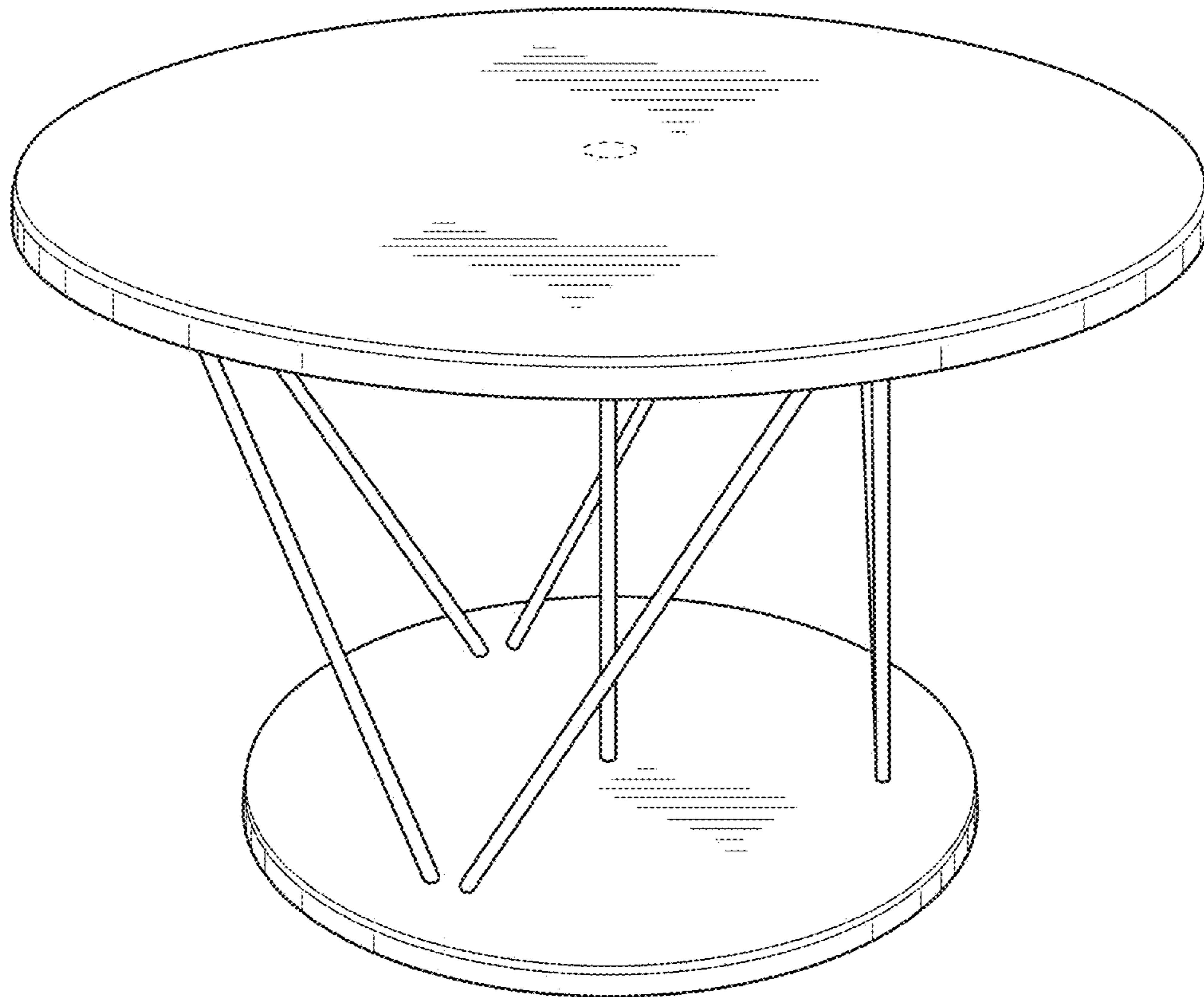


FIG. 1

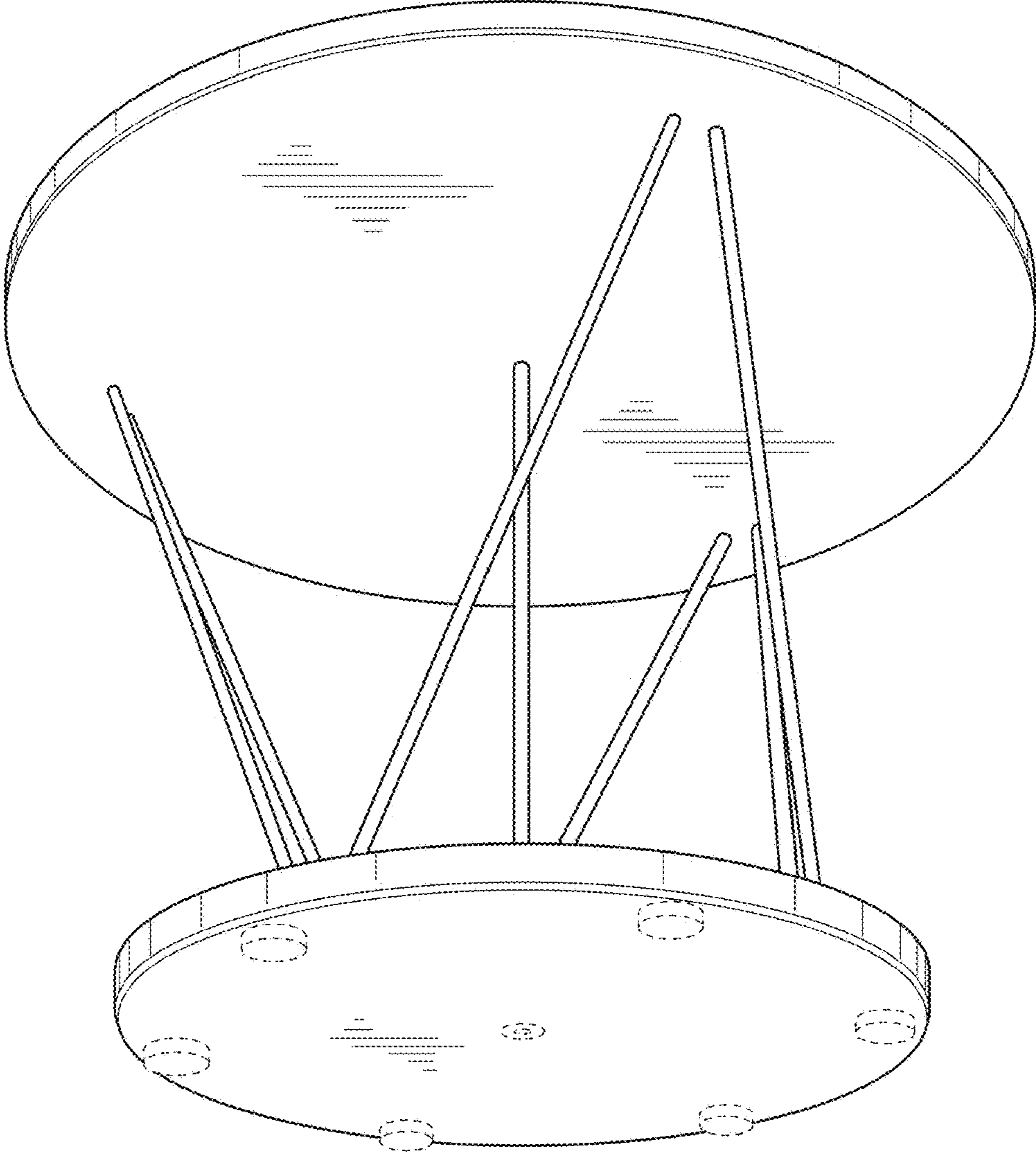


FIG. 2

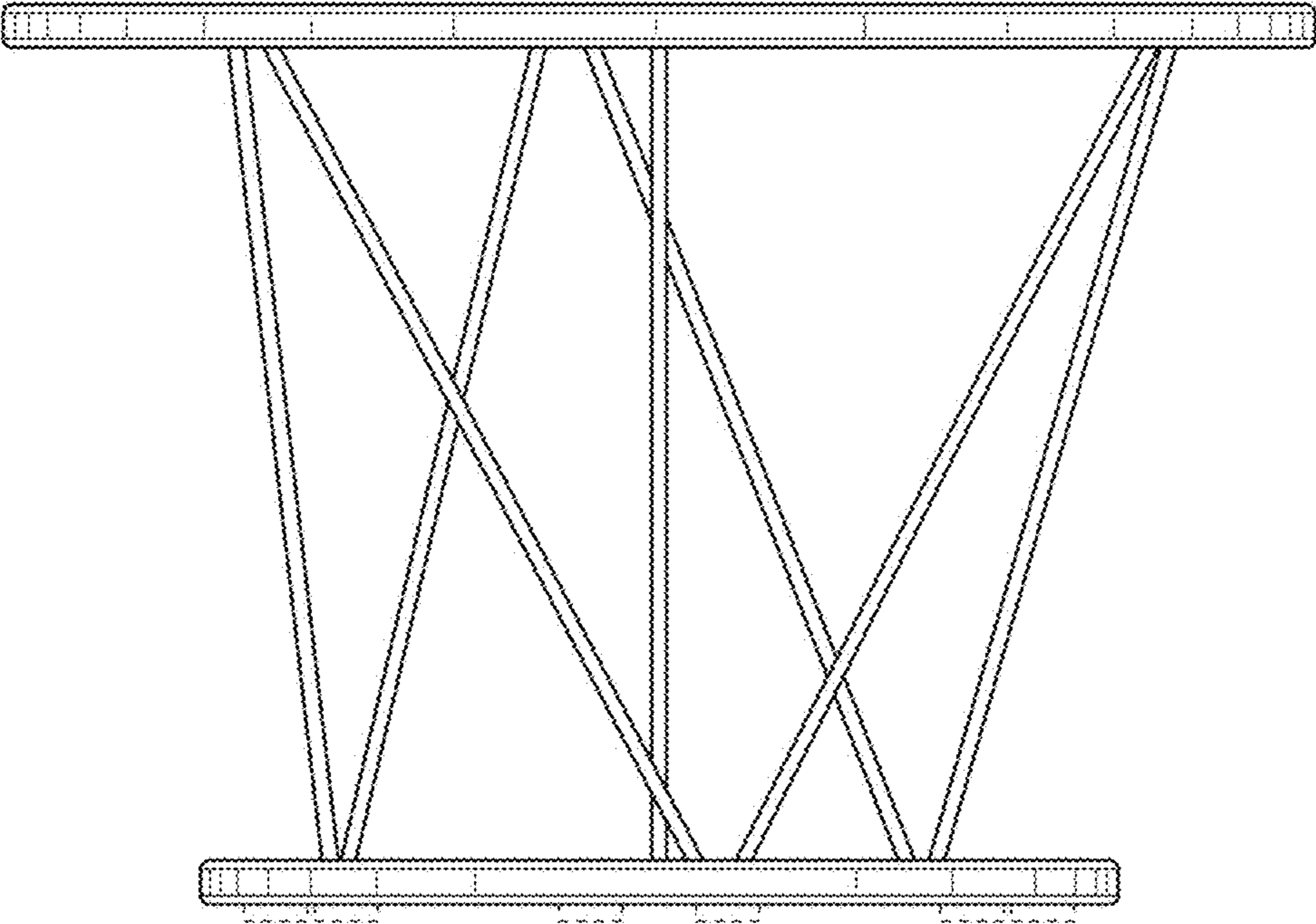


FIG. 3

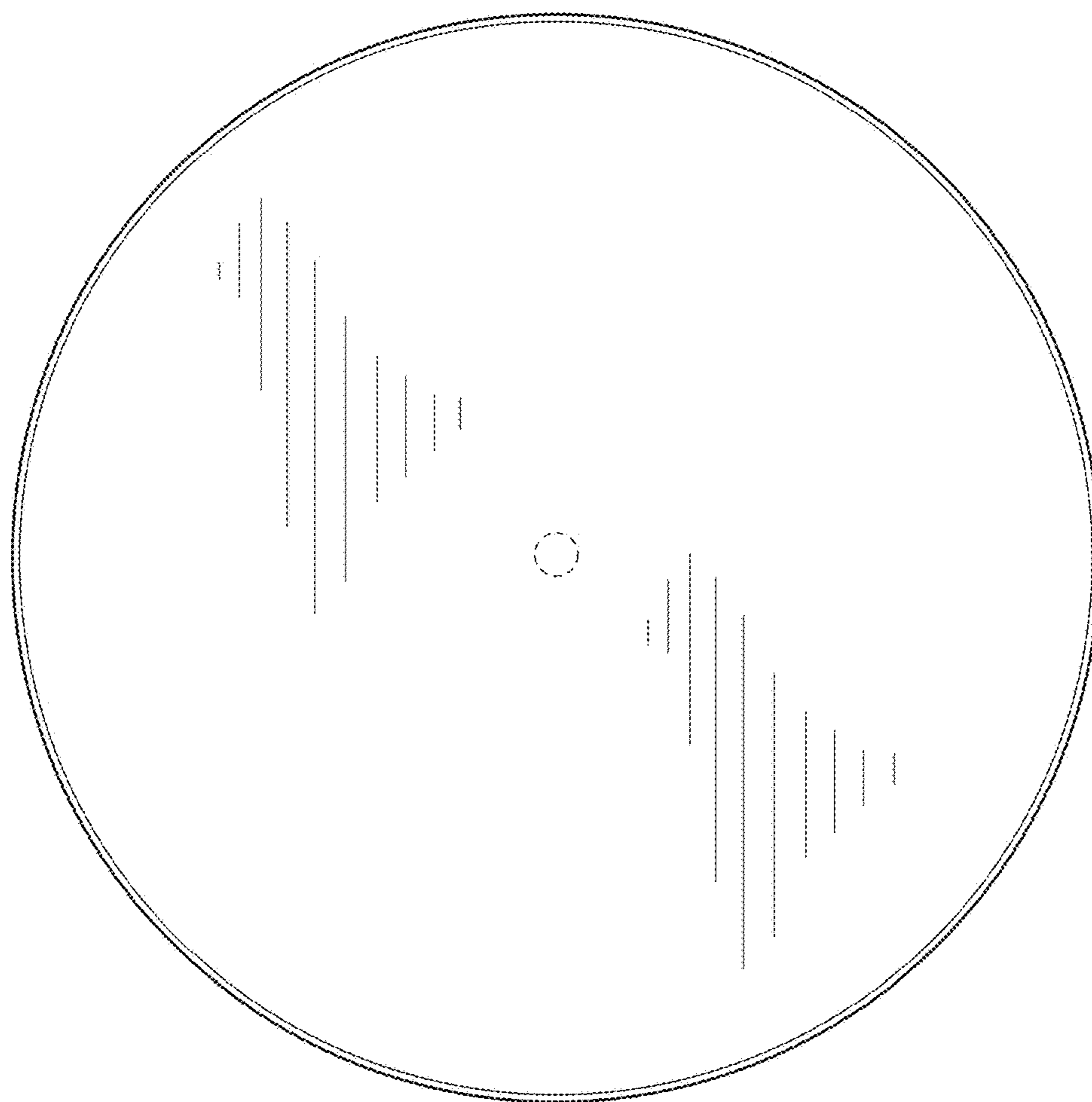


FIG. 4

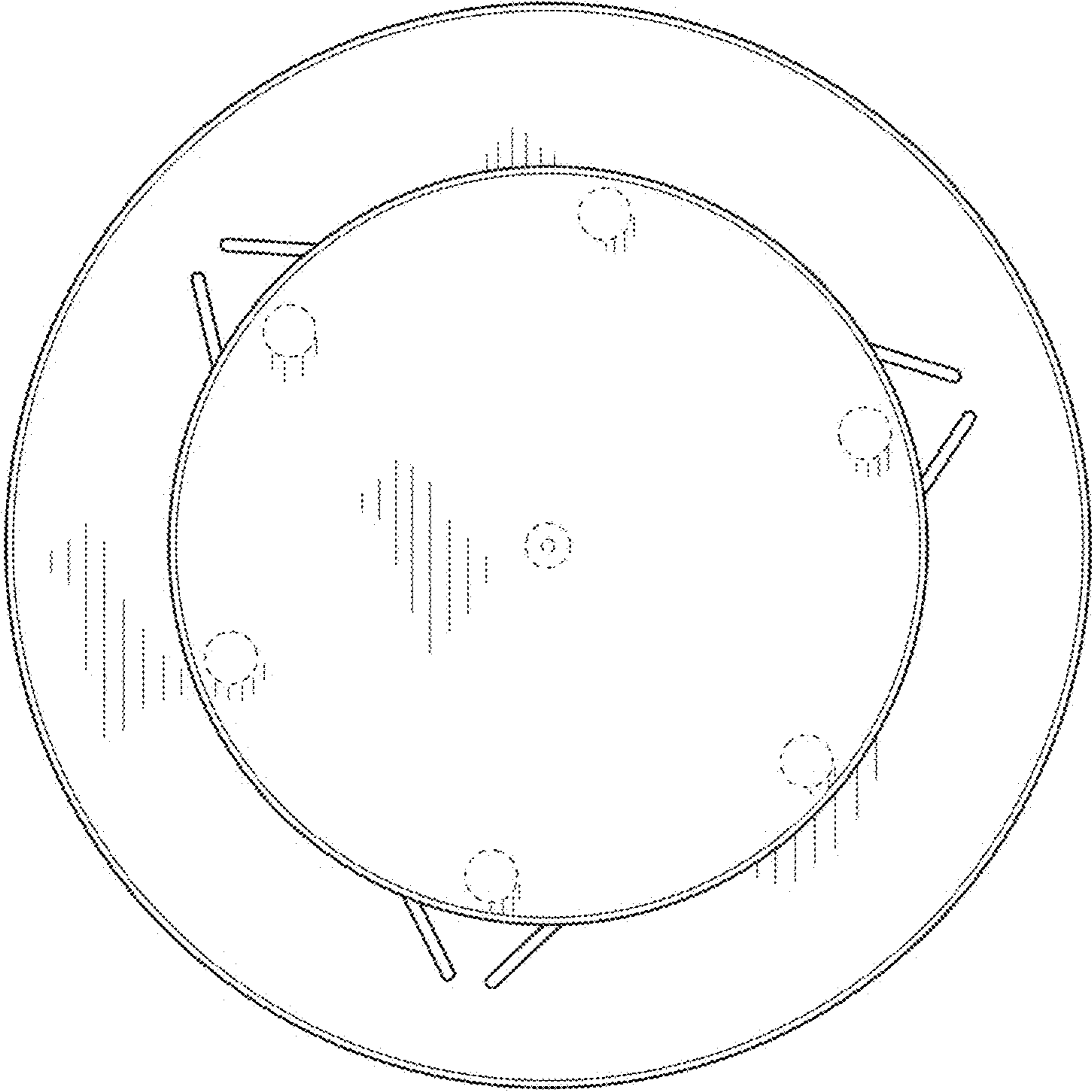


FIG. 5

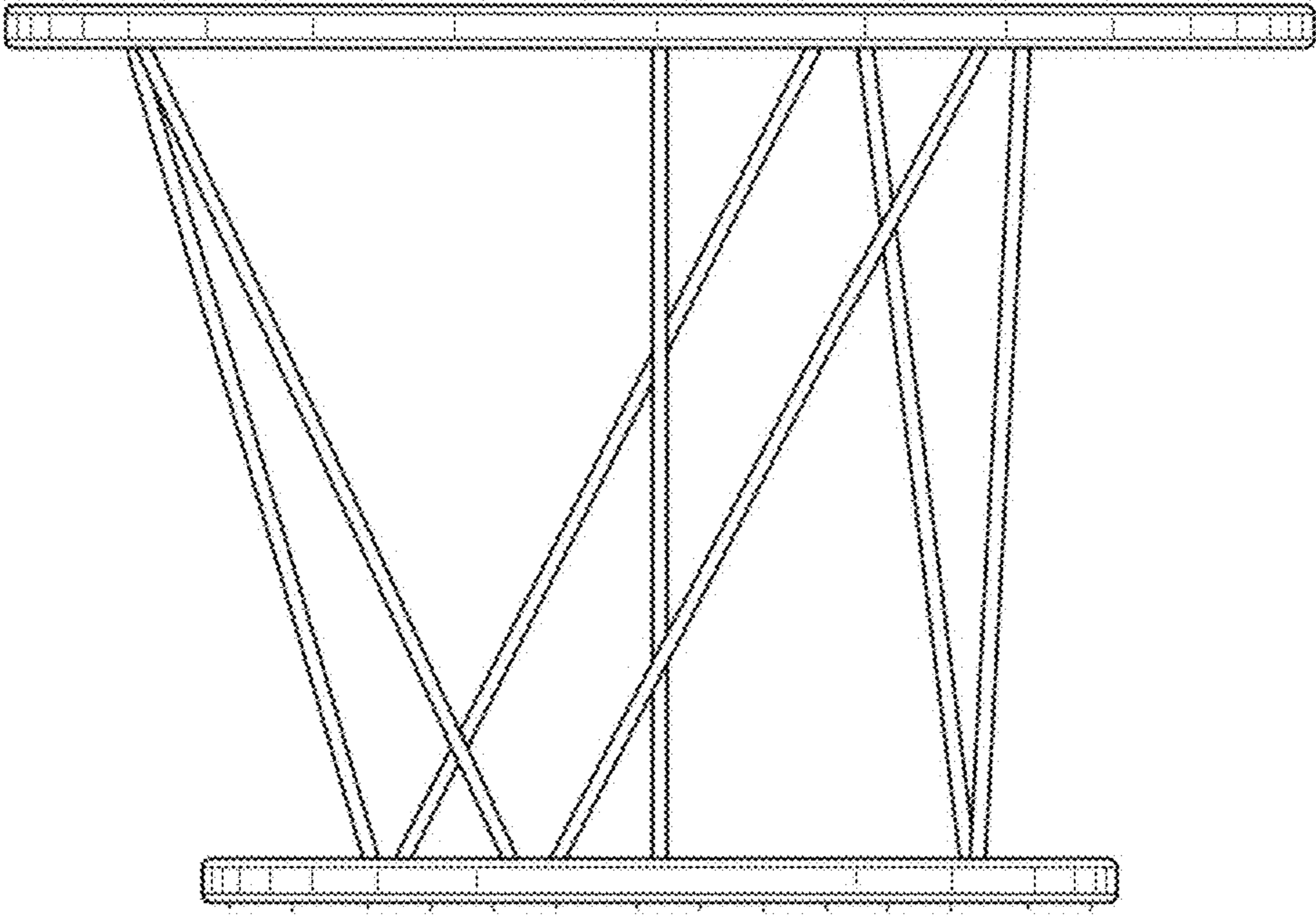


FIG. 6

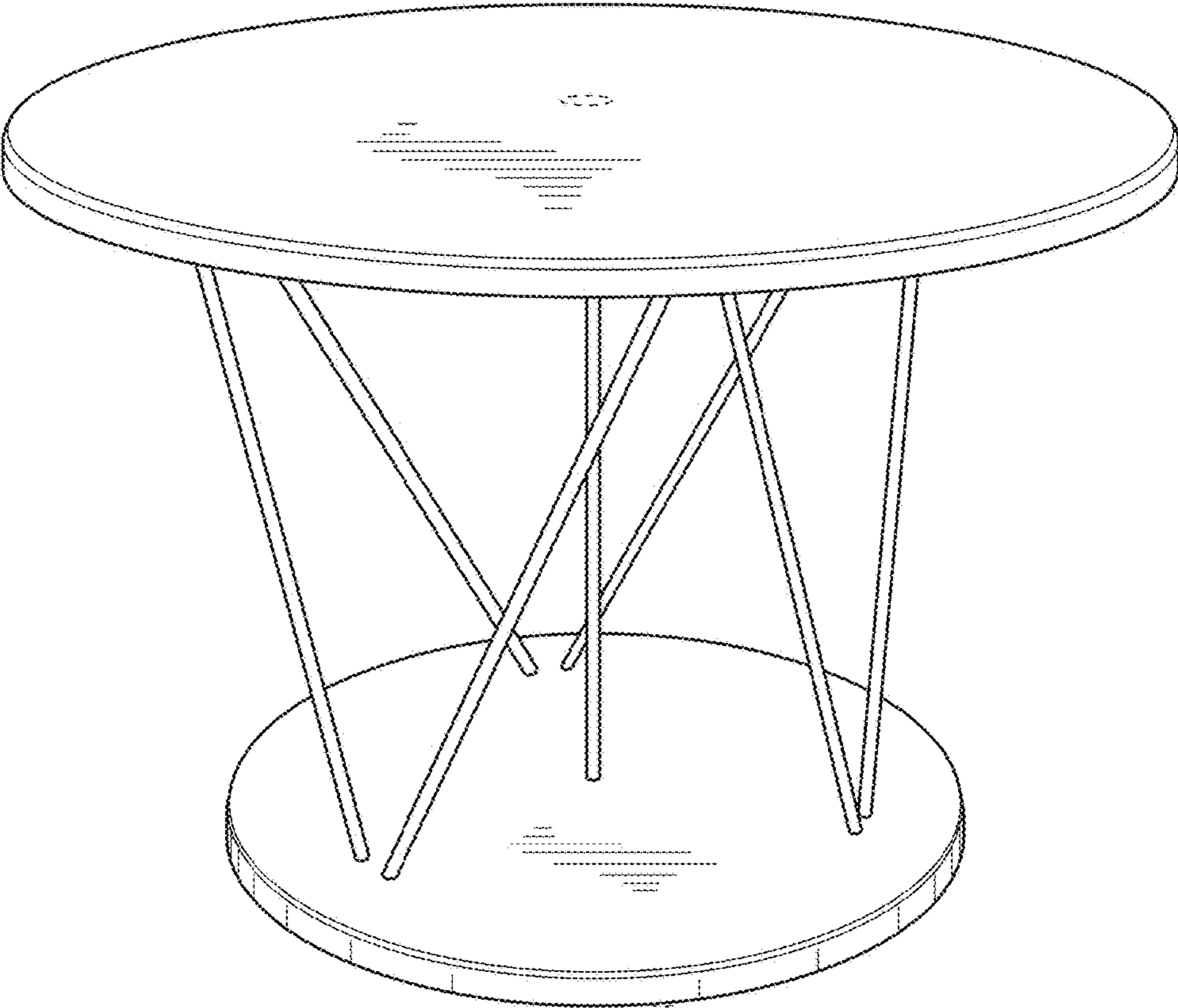


FIG. 7