



US00D836957S

(12) **United States Design Patent**
Vazquez

(10) **Patent No.:** **US D836,957 S**

(45) **Date of Patent:** **** Jan. 1, 2019**

(54) **STAND**

D714,081 S * 9/2014 Simone A47F 5/0018
D6/675.4

(71) Applicant: **Edgardo Vazquez**, Buffalo, NY (US)

D741,284 S * 10/2015 Tooker D14/173
D801,087 S * 10/2017 McLoud D6/675

(72) Inventor: **Edgardo Vazquez**, Buffalo, NY (US)

* cited by examiner

(**) Term: **15 Years**

Primary Examiner — Kelley A Donnelly

(21) Appl. No.: **29/601,401**

(74) *Attorney, Agent, or Firm* — Vincent G. LoTempio;
Kloss, Stenger & LoTempio; David T. Stephenson

(22) Filed: **Apr. 21, 2017**

(57) **CLAIM**

The ornamental design for a stand, as shown and described.

(51) **LOC (11) Cl.** **06-06**

DESCRIPTION

(52) **U.S. Cl.**

USPC **D6/682**

(58) **Field of Classification Search**

USPC D6/672–673, 678, 680, 682, 682.3;
D17/9, 20; D14/229, 447

CPC A47F 7/00; A47F 7/0042

See application file for complete search history.

FIG. 1 is a front perspective view of the stand showing my new design;

FIG. 2 is a back perspective view thereof;

FIG. 3 is a front view thereof;

FIG. 4 is a back view thereof;

FIG. 5 is a top view thereof;

FIG. 6 is a bottom view thereof;

FIG. 7 is a right side view of my design with the left side view being a mirror image thereof; and,

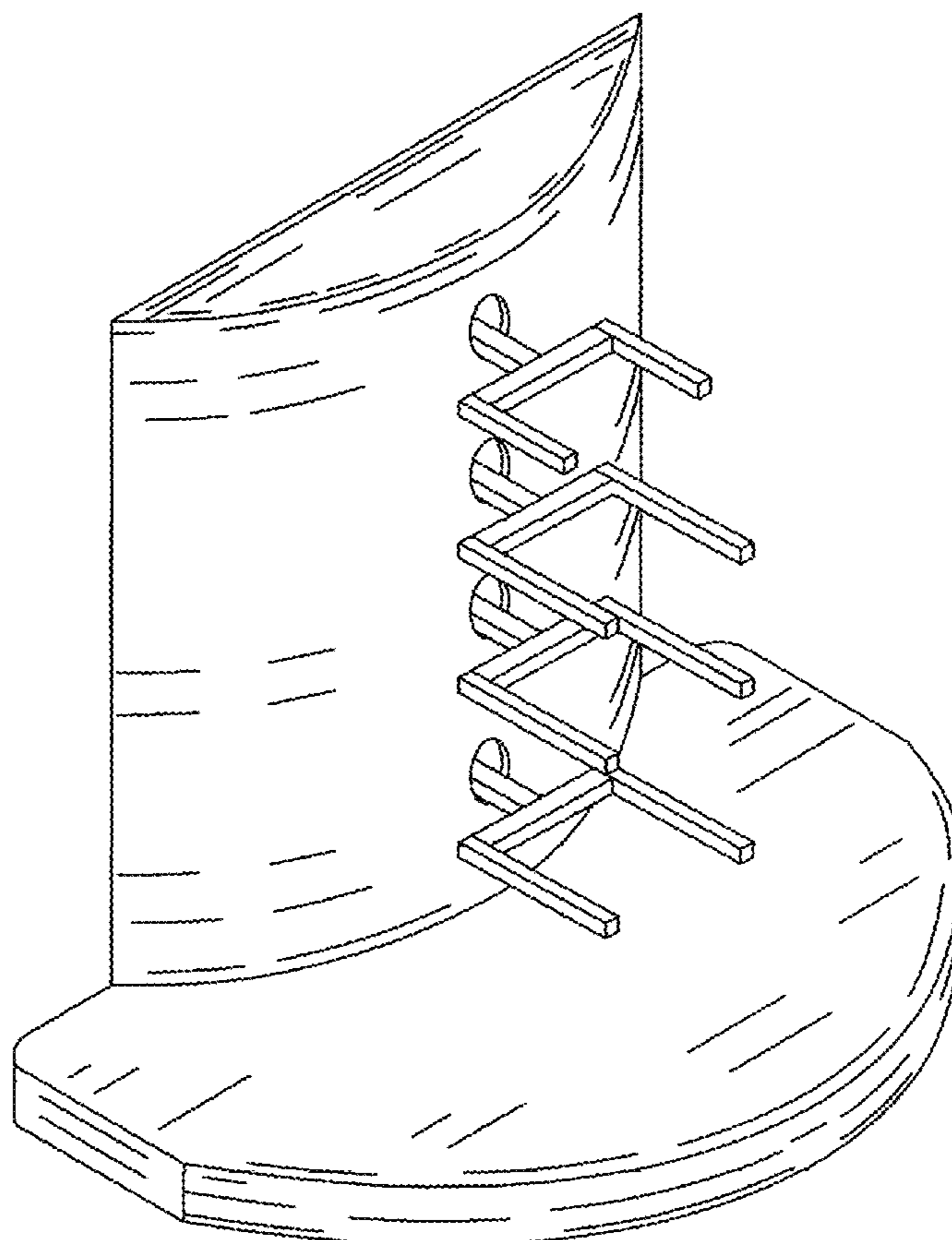
FIG. 8 is a cross sectional view thereof, taken generally along line 8-8 in FIG. 3.

(56) **References Cited**

U.S. PATENT DOCUMENTS

D350,659 S * 9/1994 Di Tomasso D6/675.1
D358,519 S * 5/1995 Donnelly D6/552
D581,183 S * 11/2008 Kutscha D29/130

1 Claim, 8 Drawing Sheets



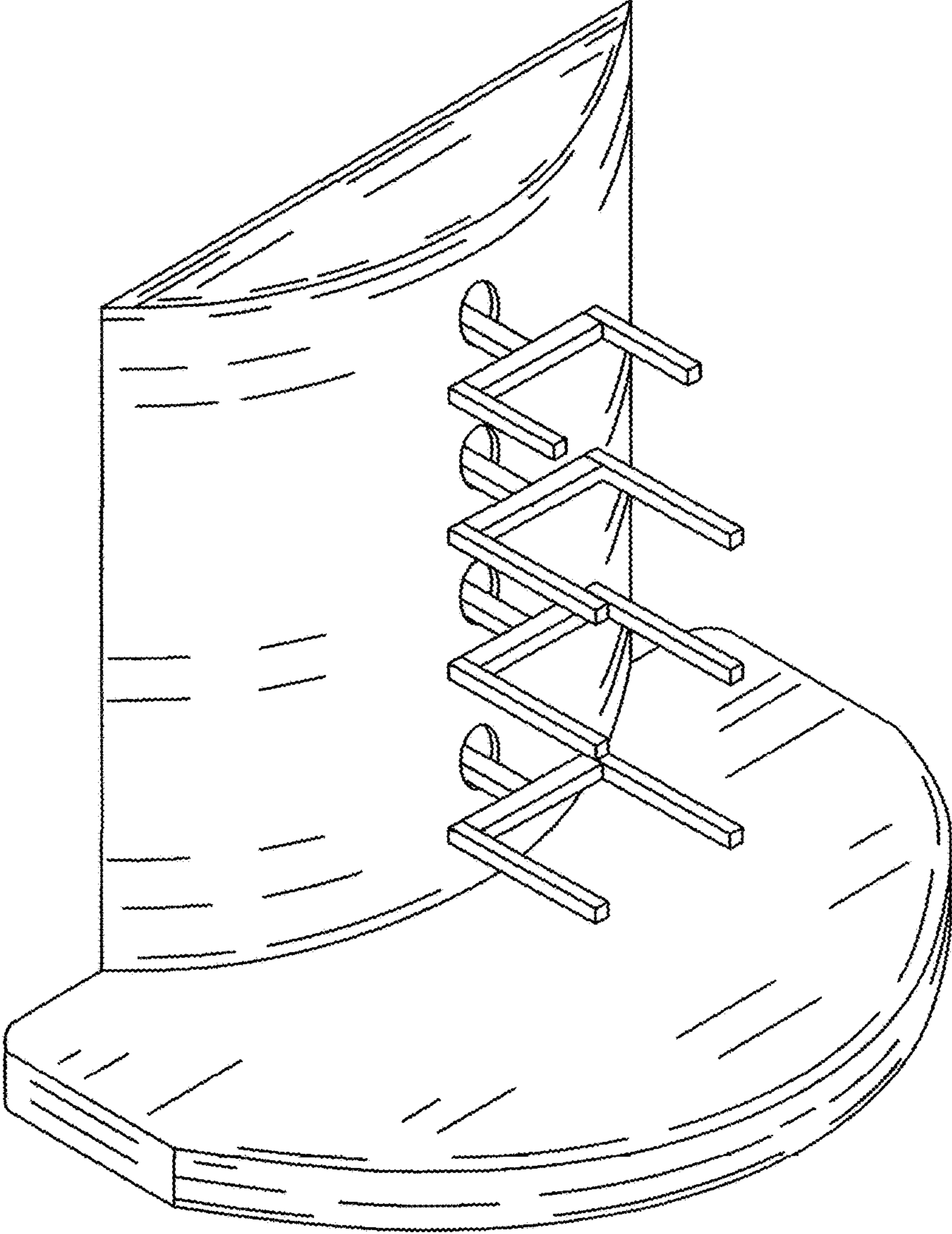


FIG. 1

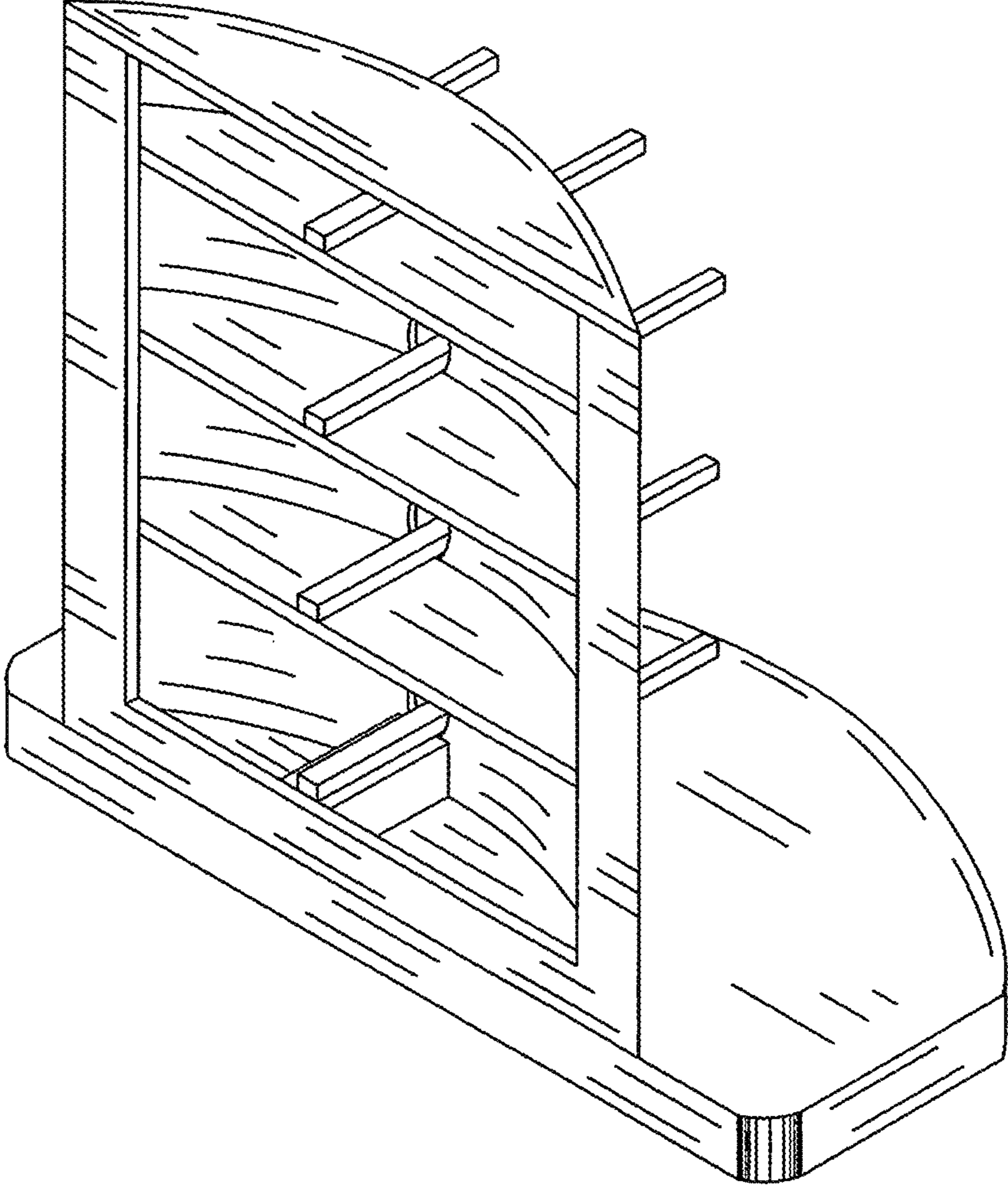


FIG. 2

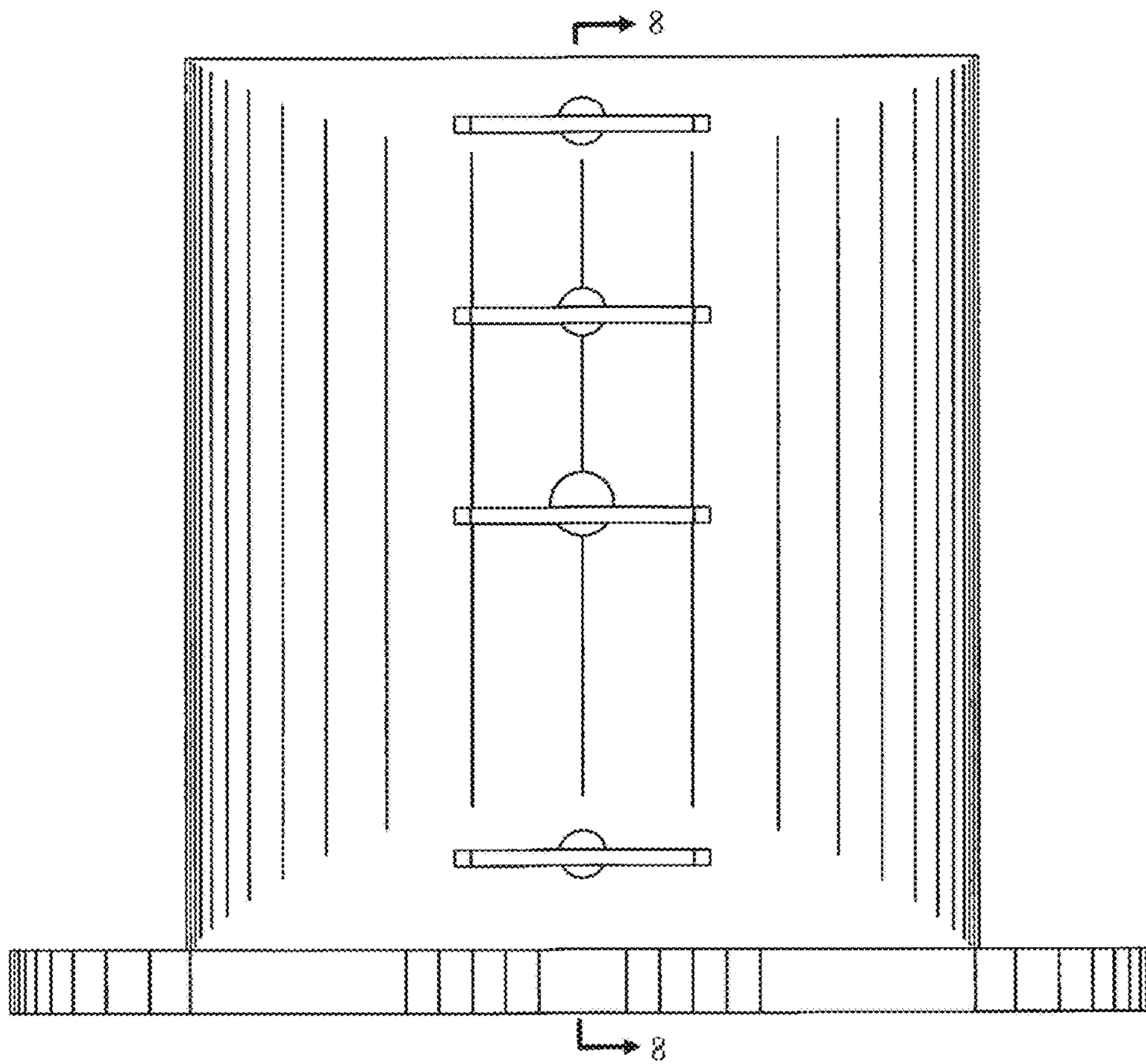


FIG. 3

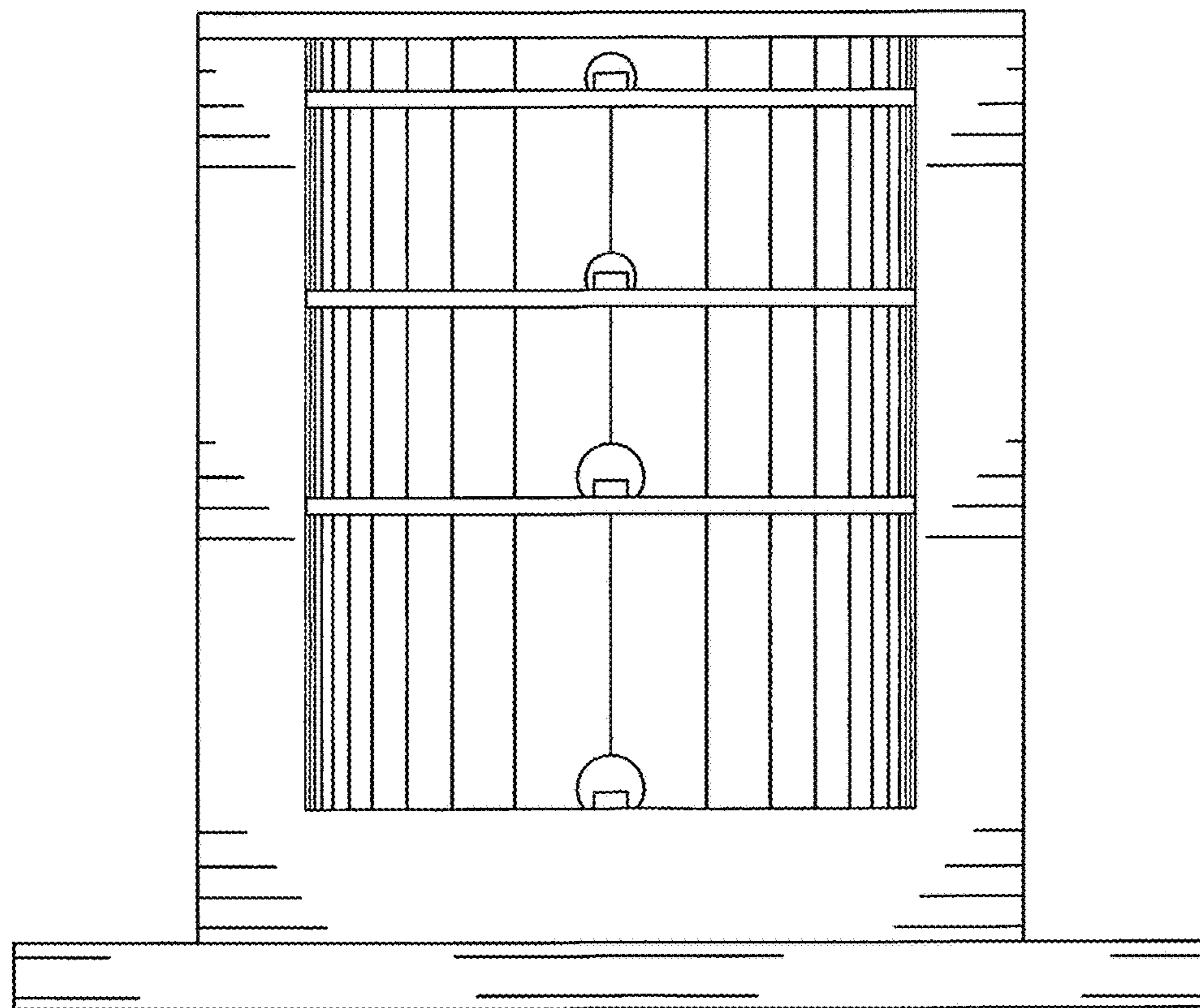


FIG. 4

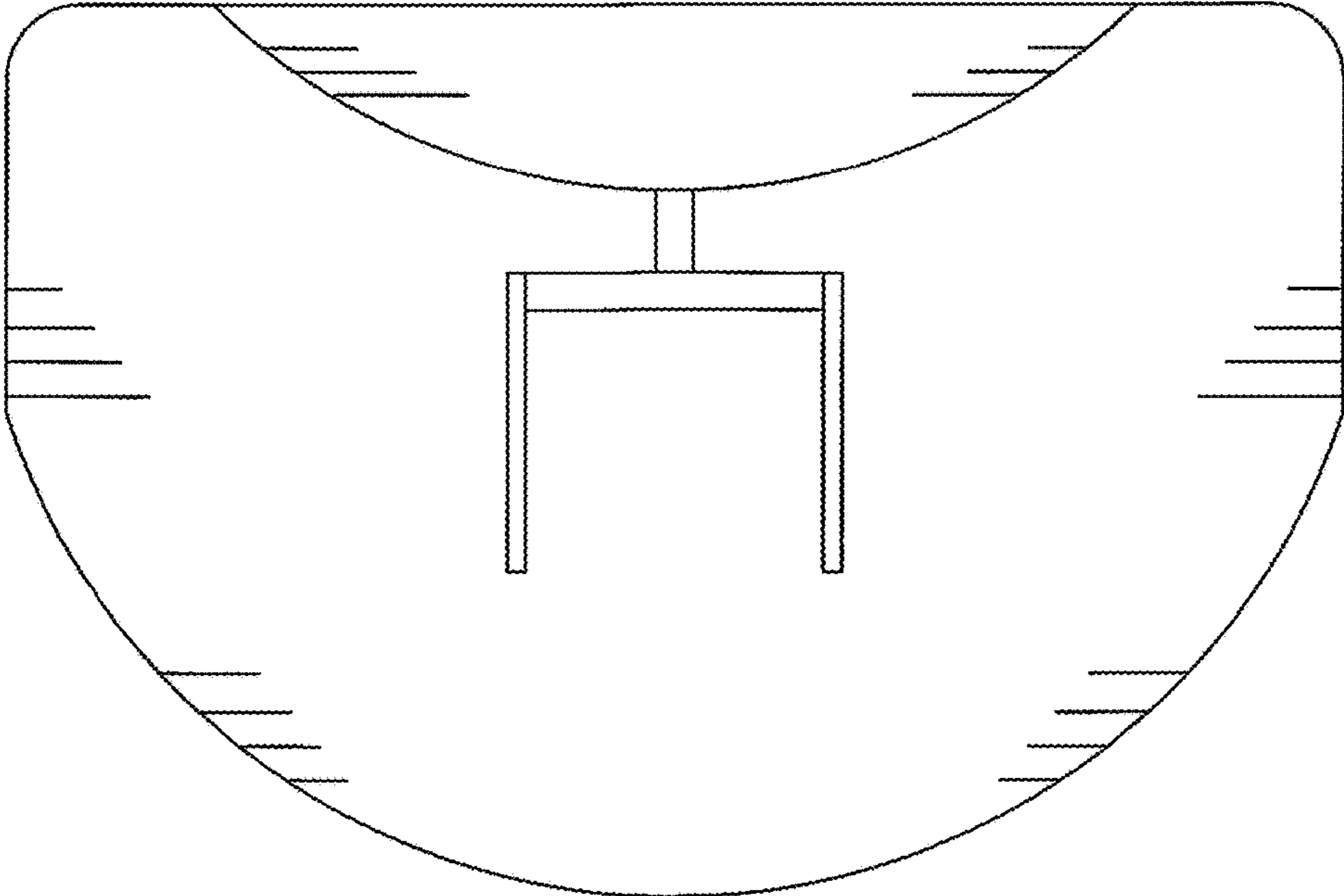


FIG. 5

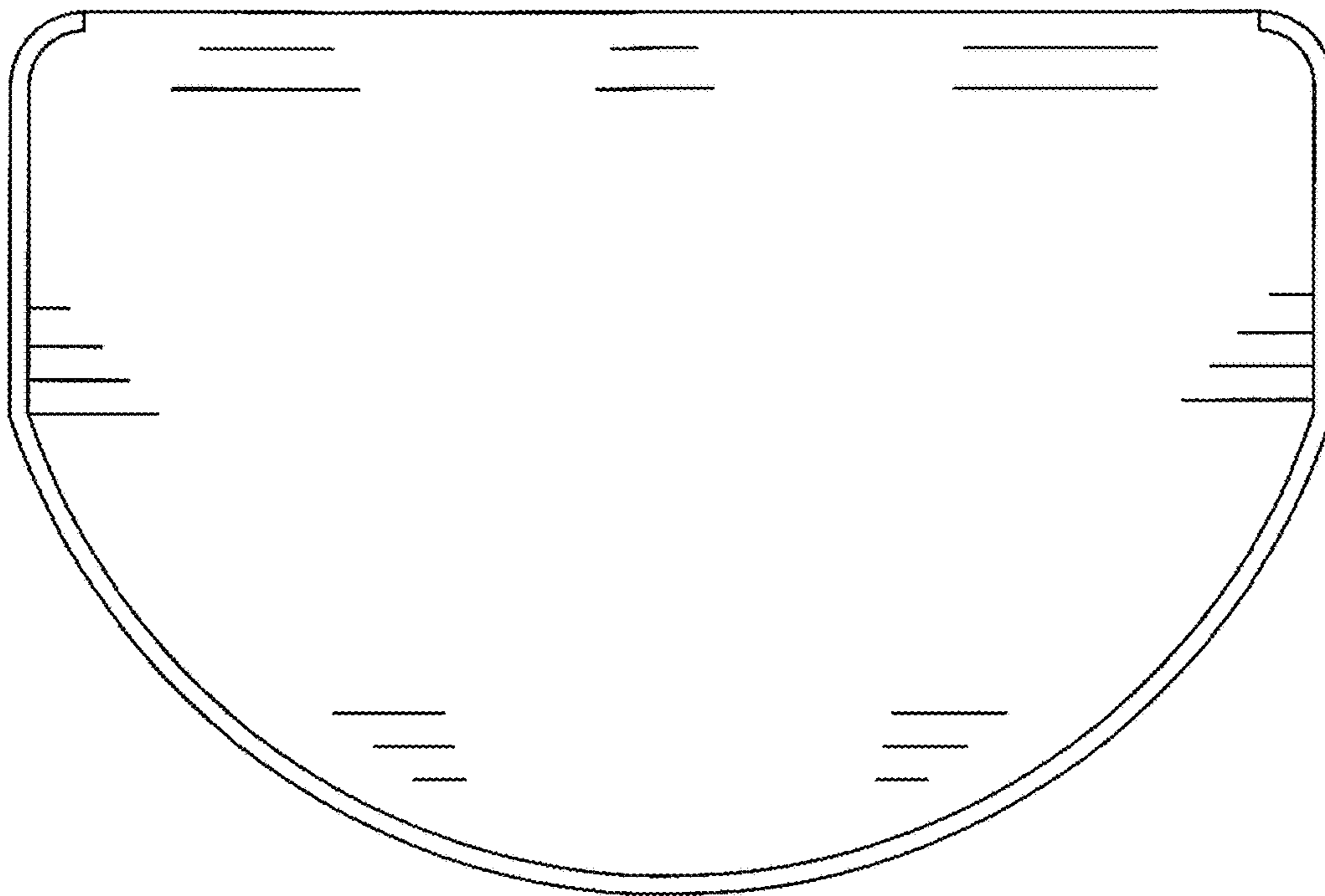


FIG. 6

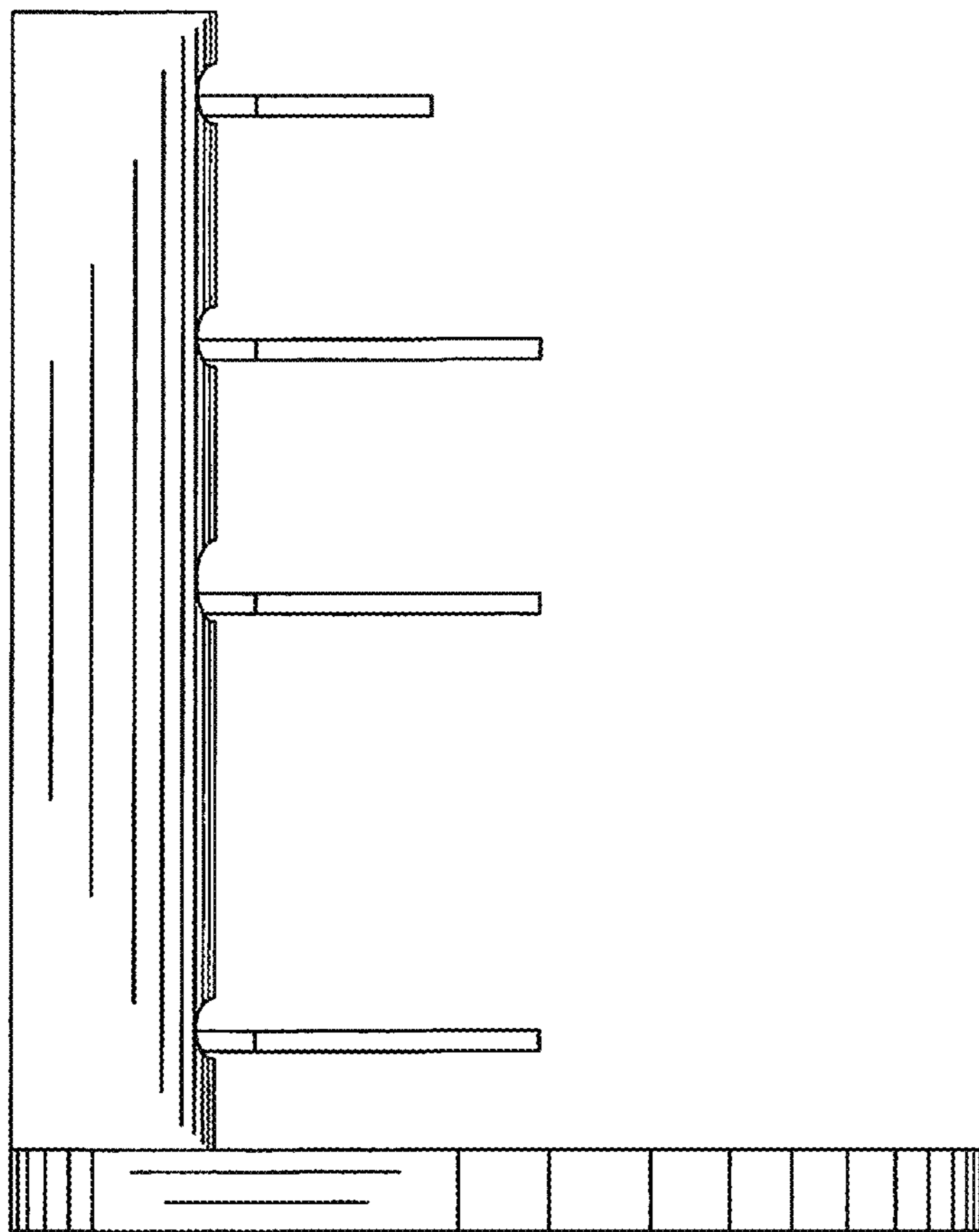


FIG. 7

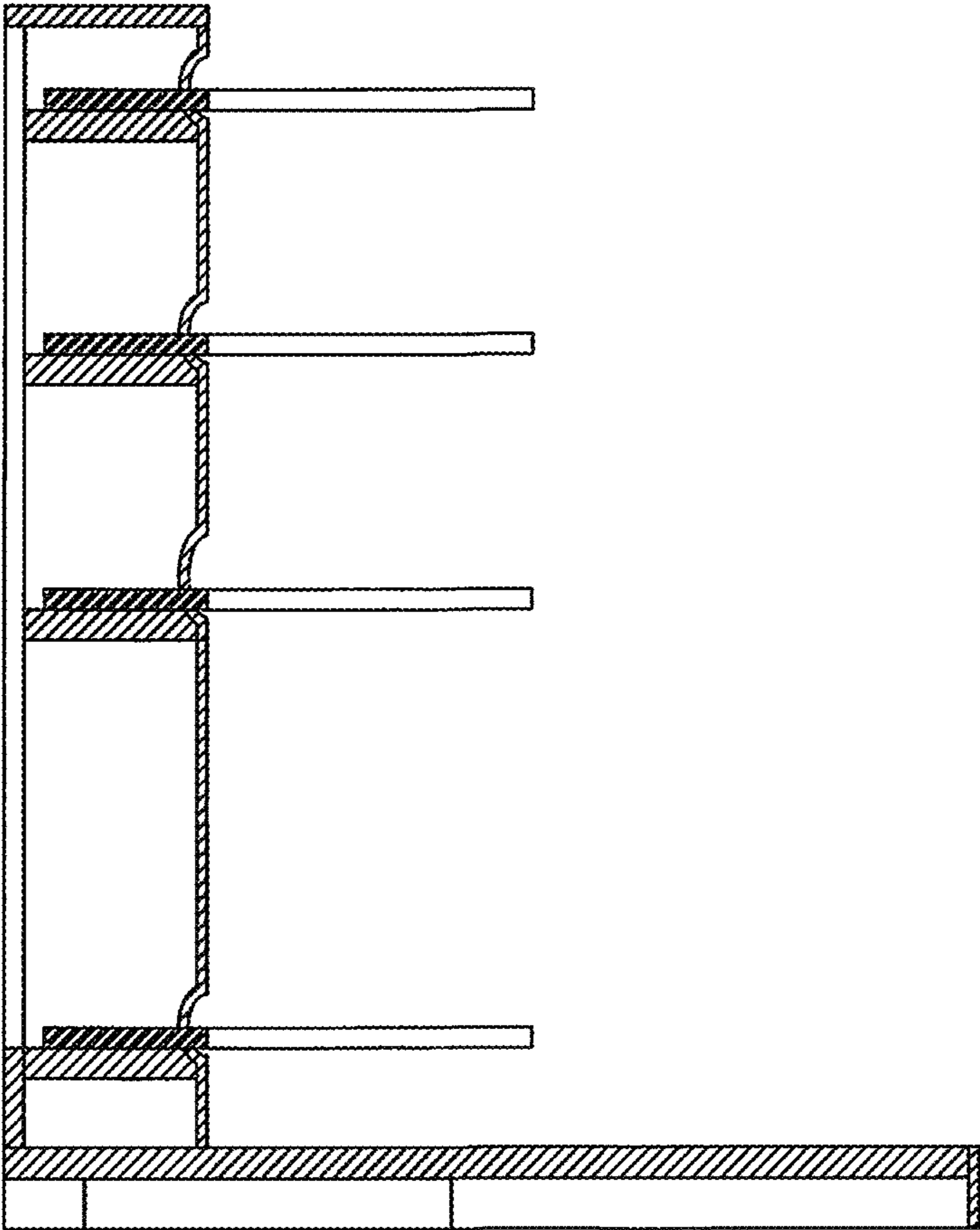


FIG. 8