



US00D836956S

(12) **United States Design Patent** (10) **Patent No.:** **US D836,956 S**  
**Tsuchiyama** (45) **Date of Patent:** **\*\* Jan. 1, 2019**

(54) **WIRING STORAGE FURNITURE WITH A PARTITION PANEL AND A SHELF**  
(71) Applicant: **OKAMURA CORPORATION**,  
Yokohama-shi, Kanagawa-ken (JP)  
(72) Inventor: **Waku Tsuchiyama**, Yokohama (JP)  
(73) Assignee: **Okamura Corporation**, Yokohama-shi,  
Kanagawa (JP)

(\*\*) Term: **15 Years**

(21) Appl. No.: **29/598,642**

(22) Filed: **Mar. 28, 2017**

(30) **Foreign Application Priority Data**

Sep. 30, 2016 (JP) ..... 2016-021226

(51) **LOC (11) Cl.** ..... **06-06**

(52) **U.S. Cl.**  
USPC ..... **D6/675.1**

(58) **Field of Classification Search**  
USPC ..... D3/273-274; D9/642, 759; D14/308;  
D6/629, 657, 663-664, 672, 672.1, 675,  
D6/675.1, 675.2, 682, 682.1, 682.2  
CPC .. H02B 1/26; A47B 81/00; B25H 3/00; B25H  
3/04; H05K 5/00  
See application file for complete search history.

(56) **References Cited**

**U.S. PATENT DOCUMENTS**

D144,844 S \* 5/1946 Dunham ..... D6/675.1  
D232,289 S \* 8/1974 Moretine ..... D6/675.1  
D248,808 S \* 8/1978 Offredi ..... D6/662.1  
D286,115 S \* 10/1986 Evans ..... D6/675.1  
D290,204 S \* 6/1987 Bruget ..... D6/675.1  
D362,761 S \* 10/1995 Hood ..... D6/643.1

D383,013 S \* 9/1997 Newhouse ..... D6/675.1  
D465,355 S \* 11/2002 Luong ..... D6/630  
D543,056 S \* 5/2007 Chou ..... D6/675.1  
D613,080 S \* 4/2010 Tsuchiyama ..... D6/332  
D618,932 S \* 7/2010 Linder ..... D6/675.1  
D684,795 S \* 6/2013 Koenigsknecht ..... D6/675.1  
D717,573 S \* 11/2014 Fishman ..... D20/44  
D769,651 S \* 10/2016 Tio ..... D6/675  
D779,859 S \* 2/2017 Richardson ..... D6/675.3  
D794,983 S \* 8/2017 Peota ..... D6/675.1  
D808,200 S \* 1/2018 Davis ..... D6/675.1

\* cited by examiner

*Primary Examiner* — Kelley A Donnelly

(74) *Attorney, Agent, or Firm* — Sughrue Mion, PLLC

(57) **CLAIM**

The ornamental design for a wiring storage furniture with a partition panel and a shelf, as shown and described.

**DESCRIPTION**

FIG. 1 is a perspective view of a wiring storage furniture with a partition panel and a shelf.

FIG. 2 is a front elevation view thereof.

FIG. 3 is a right side elevation view thereof.

FIG. 4 is a top plan view thereof.

FIG. 5 is a left side elevation view thereof.

FIG. 6 is a rear elevation view thereof.

FIG. 7 is a bottom plan view thereof.

FIG. 8 is an enlarged cross-sectional view taken along the line 8-8 in FIG. 2.

FIG. 9 is an enlarged cross-sectional view taken along the line 9-9 in FIG. 2; and,

FIG. 10 is an enlarged cross-sectional view taken along the line 10-10 in FIG. 2.

The broken lines shown in the drawings illustrate portions of the wiring storage furniture with a partition panel and a shelf that form no part of the claimed design.

**1 Claim, 10 Drawing Sheets**

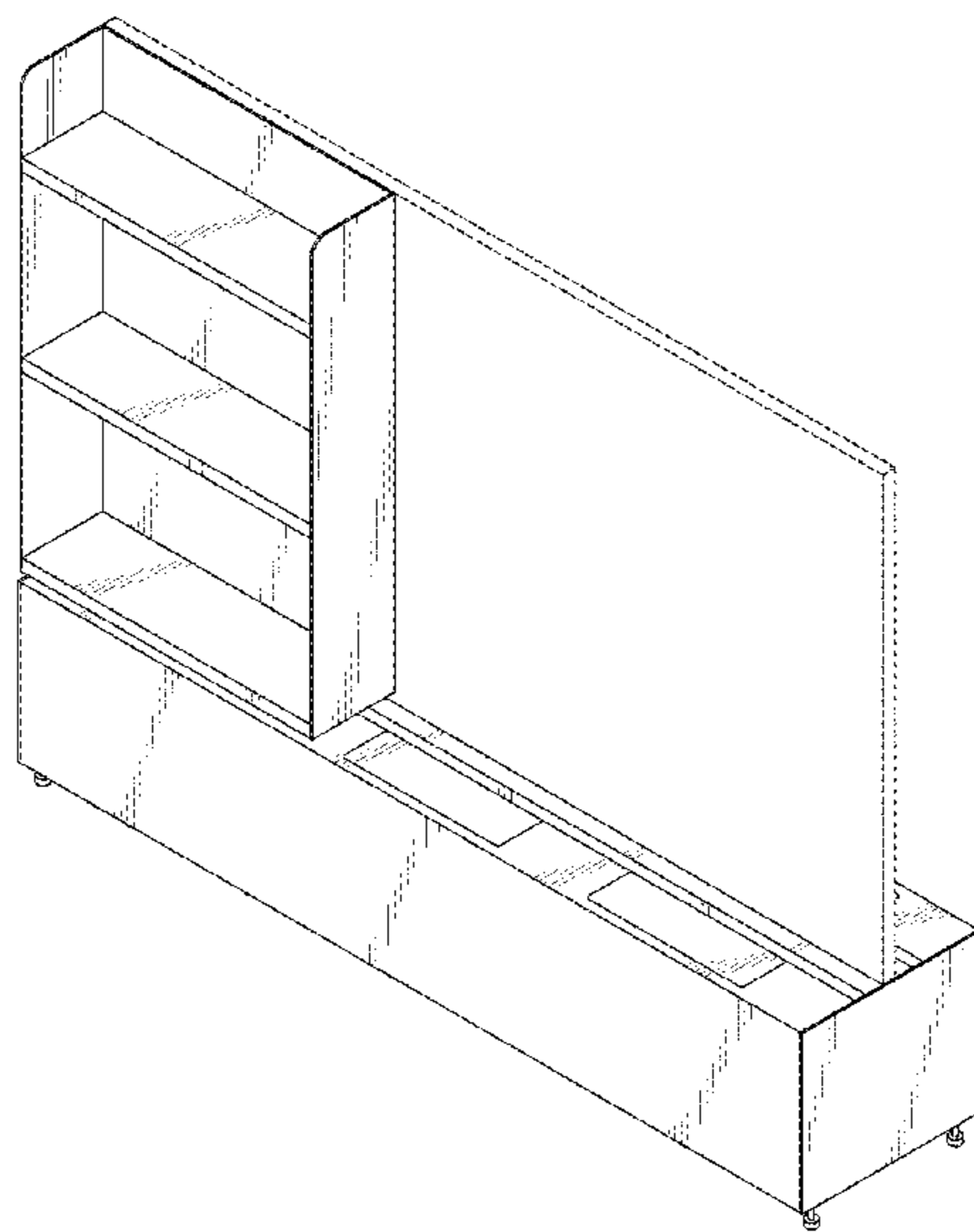


FIG. 1

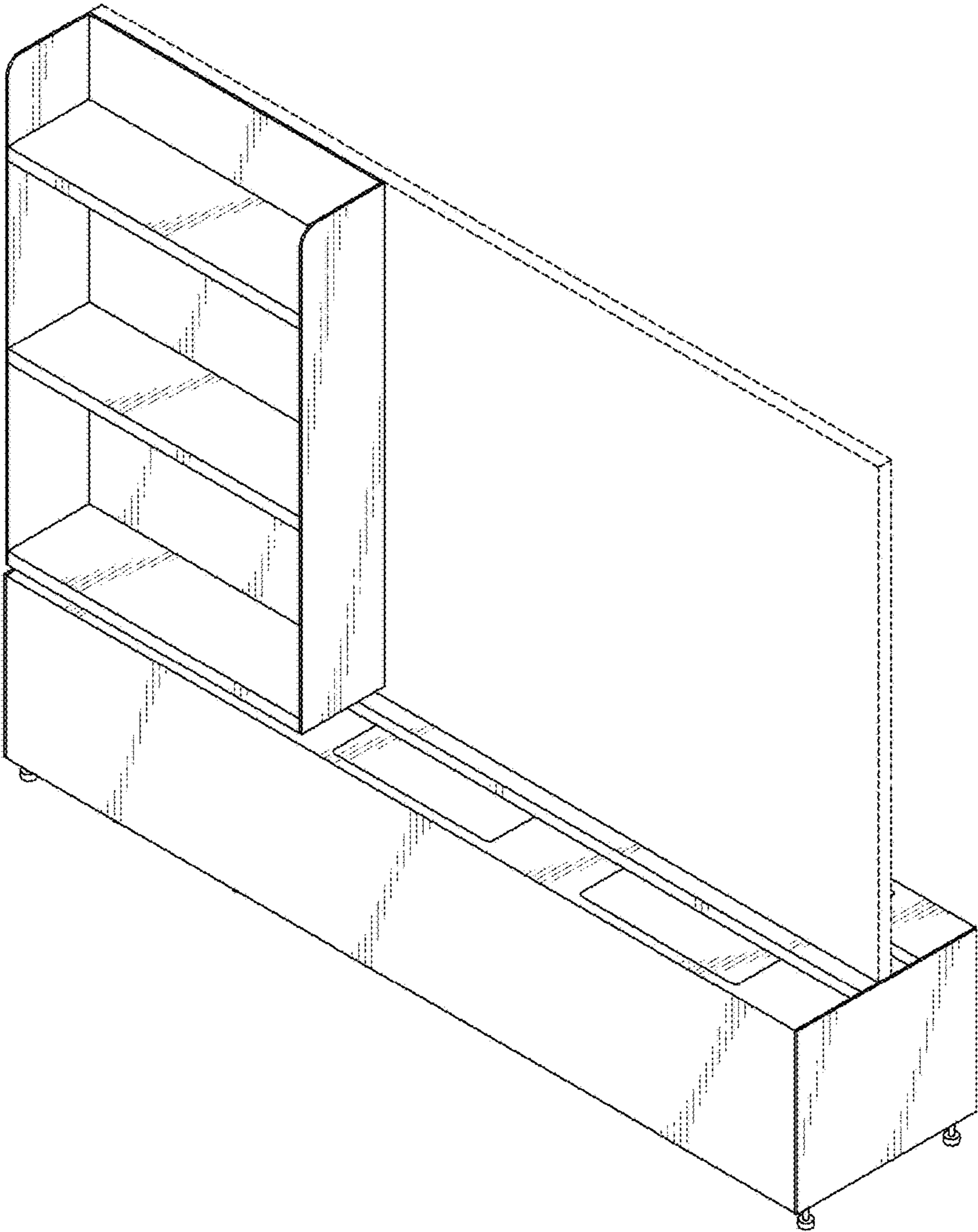


FIG. 2

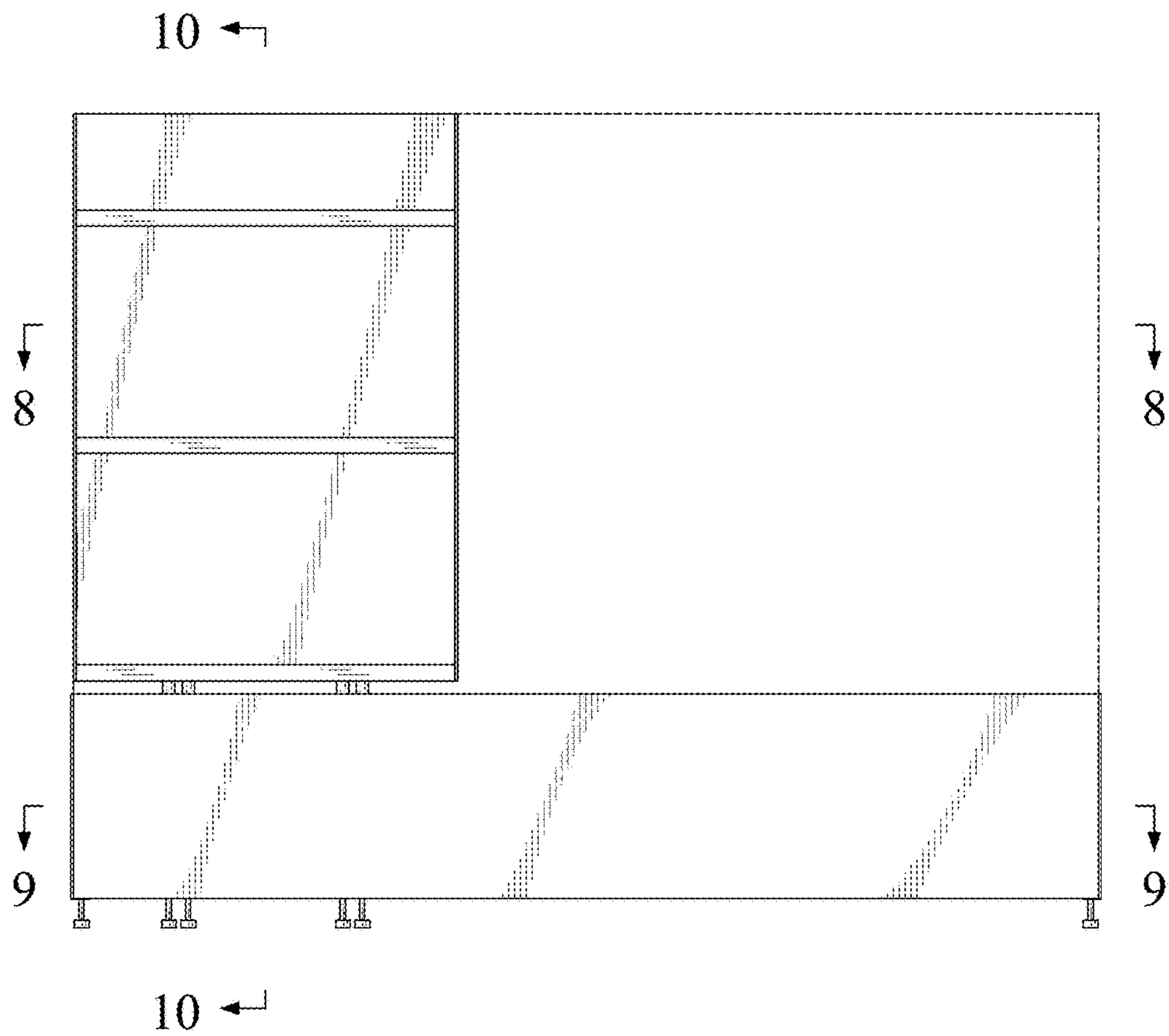


FIG. 3

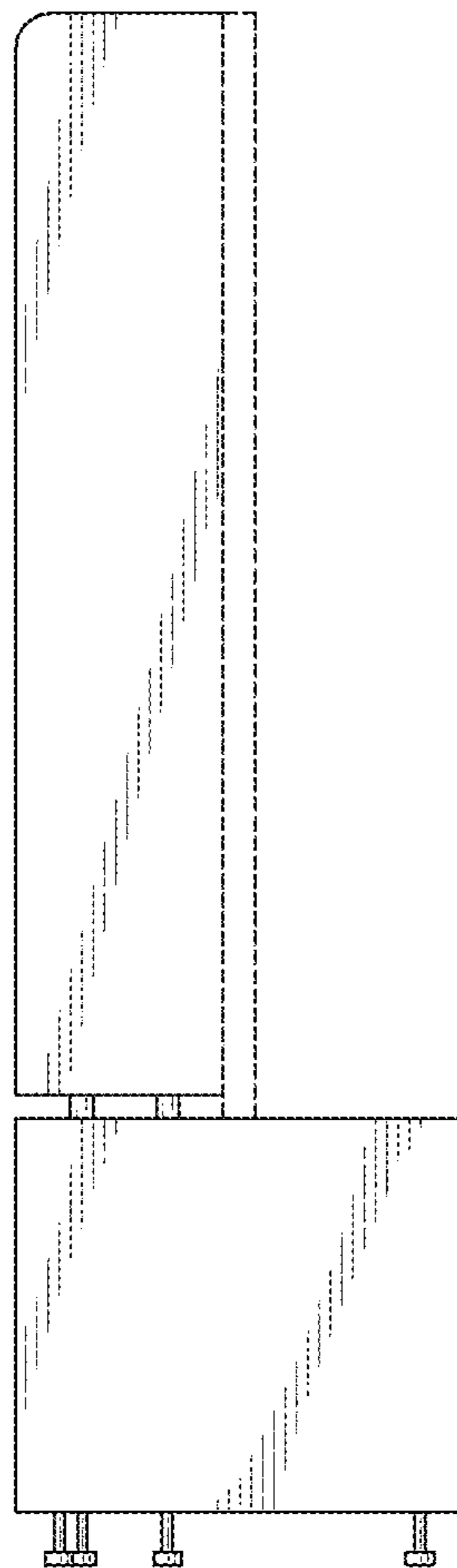


FIG. 4

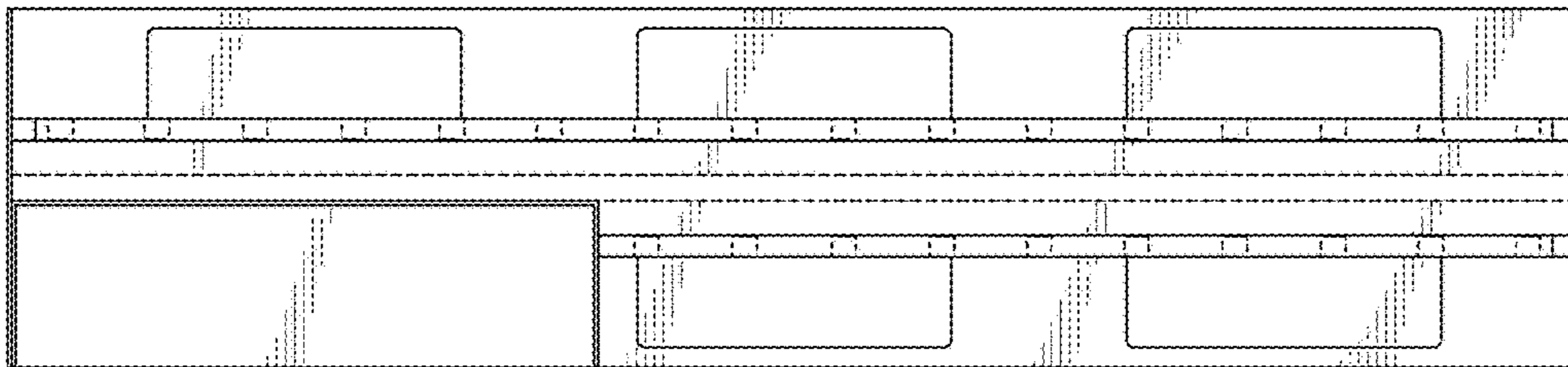


FIG. 5

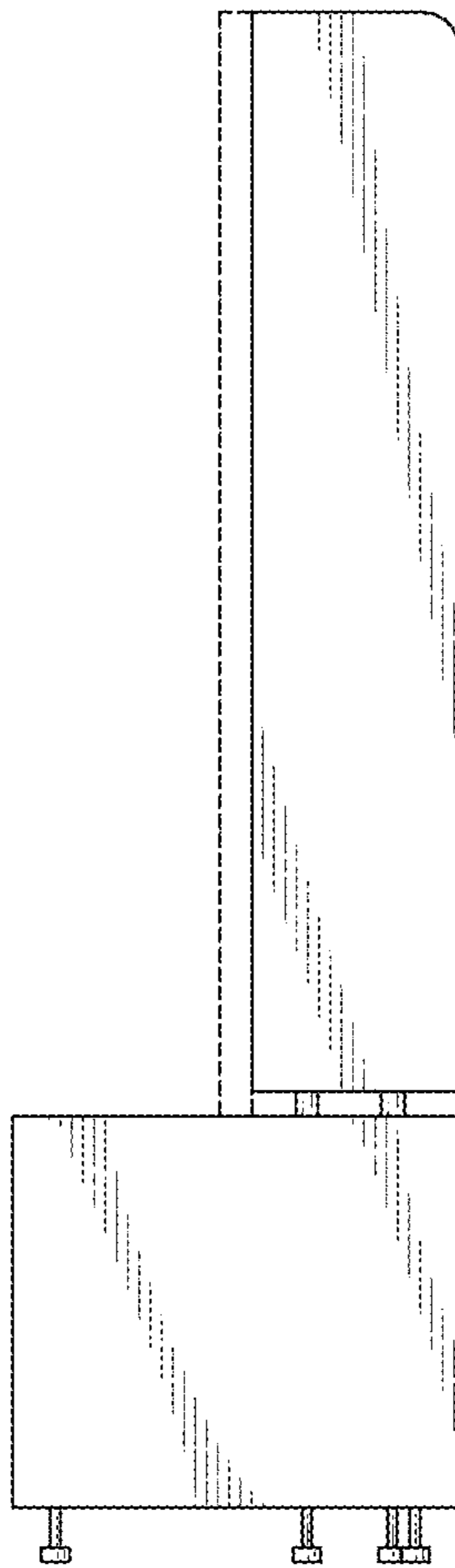


FIG. 6

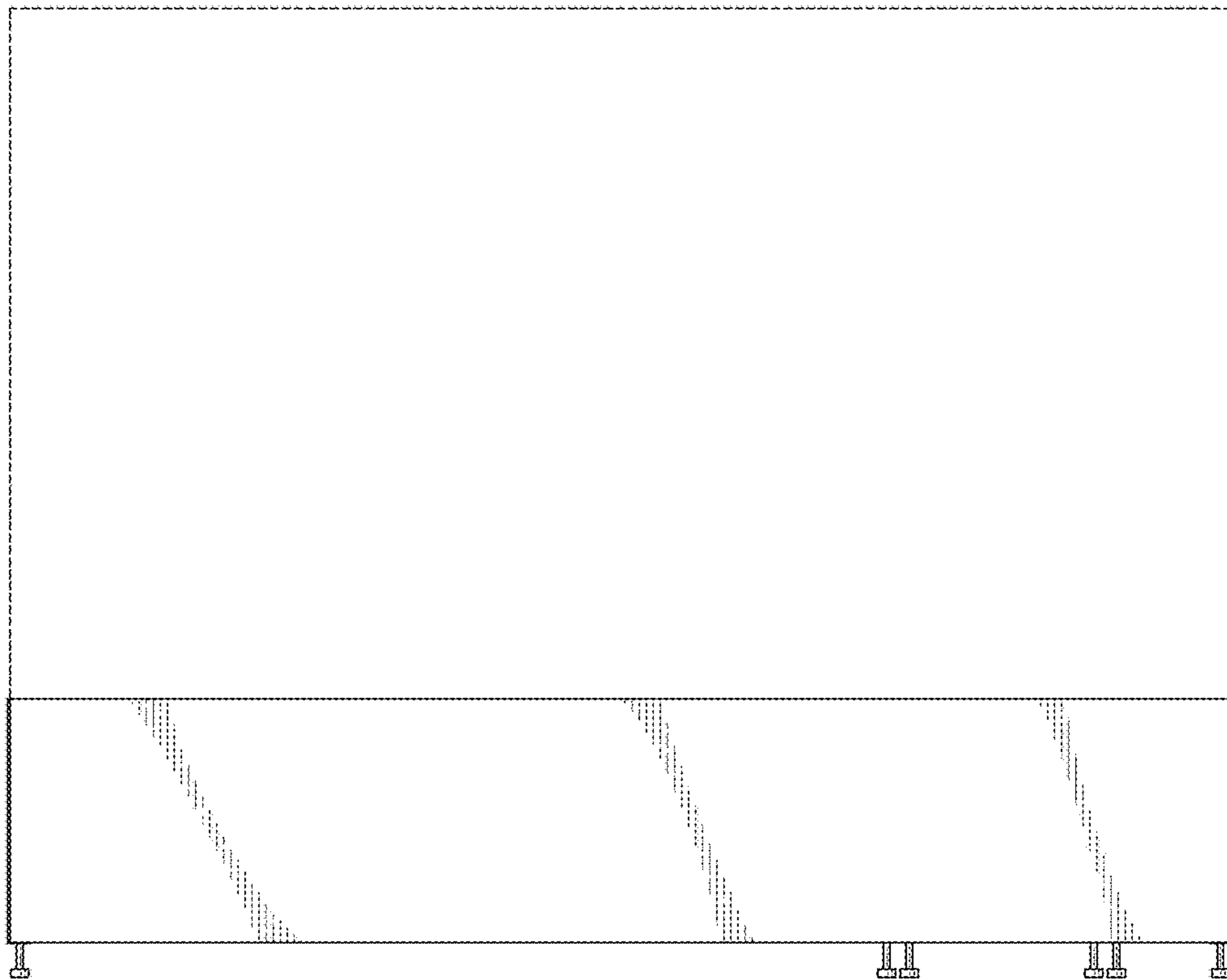


FIG. 7

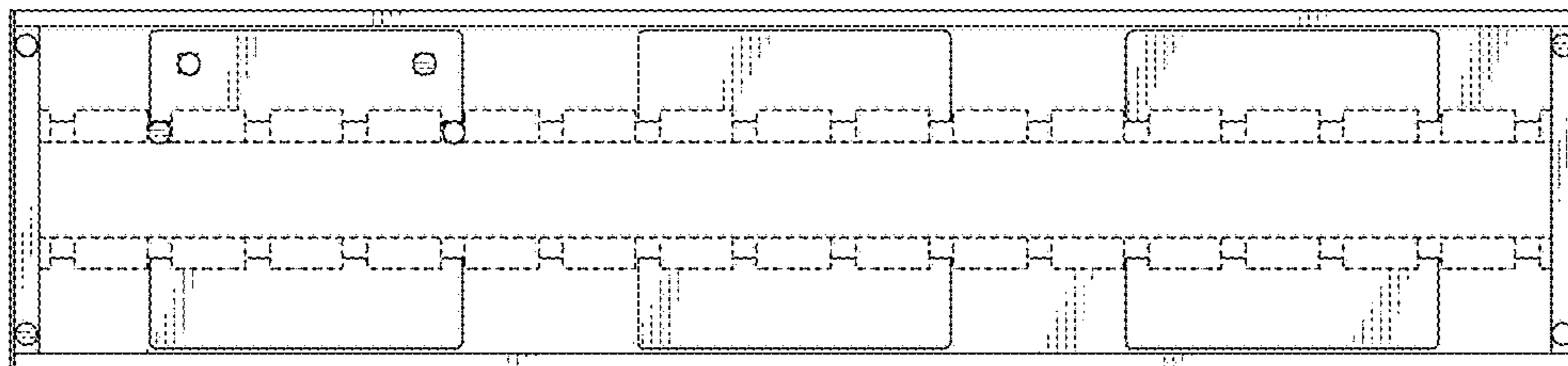




FIG. 8

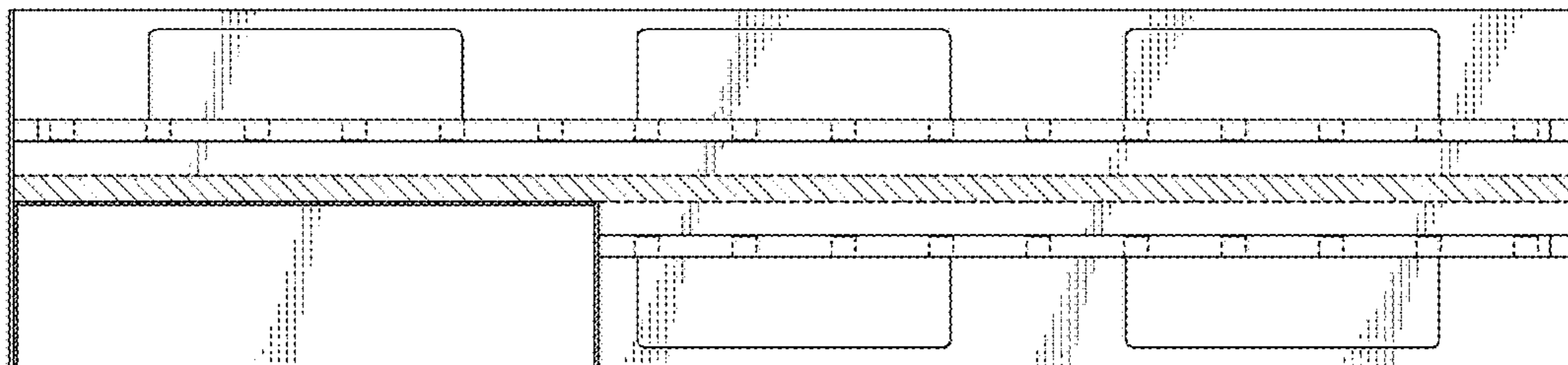


FIG. 9

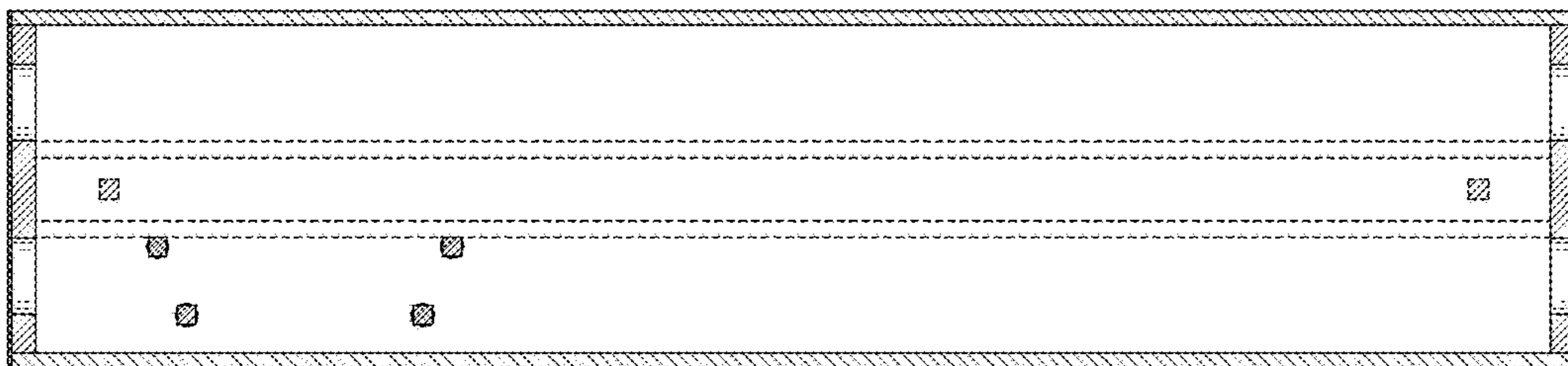


FIG. 10

