



US00D836955S

(12) **United States Design Patent** (10) **Patent No.:** **US D836,955 S**
Ortega (45) **Date of Patent:** **** Jan. 1, 2019**

(54) **MODULAR PORTABLE STAND**

FOREIGN PATENT DOCUMENTS

(71) Applicant: **HGCI, Inc.**, Las Vegas, NV (US)
(72) Inventor: **Steve Ortega**, Discovery Bay, CA (US)

AU 628170 9/1992
CN 1149434 5/1997

(Continued)

(73) Assignee: **HGCI, Inc.**, Las Vegas, NV (US)

OTHER PUBLICATIONS

(**) Term: **15 Years**

Young, Lee W., International Search Report for PCT/US12/00001, dated May 1, 2012.

(21) Appl. No.: **29/562,014**

(Continued)

(22) Filed: **Apr. 21, 2016**

Primary Examiner — Kelley Donnelly
(74) *Attorney, Agent, or Firm* — J. Douglas Wells

Related U.S. Application Data

(57) **CLAIM**

The ornamental design for a modular portable stand, as shown and described.

(63) Continuation of application No. 29/509,634, filed on Nov. 19, 2014, now Pat. No. Des. 756,690, which is a continuation of application No. 14/269,619, filed on May 5, 2014, now Pat. No. 9,084,478, which is a continuation of application No. 13/136,657, filed on Aug. 8, 2011, now Pat. No. 8,714,498.

DESCRIPTION

(51) **LOC (11) Cl.** **06-06**

(52) **U.S. Cl.**
USPC **D6/675**

(58) **Field of Classification Search**
USPC D25/61, 1; D6/675, 675.1, 675.2, 691, D6/708, 709
CPC . A47B 13/02; A47B 13/06; A47B 2200/0011; A47B 2200/0017; A47B 200/002
See application file for complete search history.

FIG. 1 is an exploded perspective view of an embodiment of a modular portable stand, as viewed from above, showing my new design;
FIG. 2 is an exploded perspective view of a side frame of the modular portable stand shown in FIG. 1;
FIG. 3 is an exploded perspective view of a base frame of the modular portable stand shown in FIG. 1;
FIG. 4 is a perspective view of the modular portable stand shown in FIG. 1, as viewed from above;
FIG. 5 is a side view of a side frame of the modular portable stand shown in FIG. 1;
FIG. 6 is a side view of a base frame of the modular portable stand shown in FIG. 1;
FIG. 7 is an exploded perspective view of a cross support of the modular portable stand shown in FIG. 1; and,
FIG. 8 is an exploded perspective view of a leg of the modular portable stand shown in FIG. 1.

The broken-line disclosure shown in the views is understood to represent portions of the article in which the claimed design is embodied, but which form no part of the claimed design.

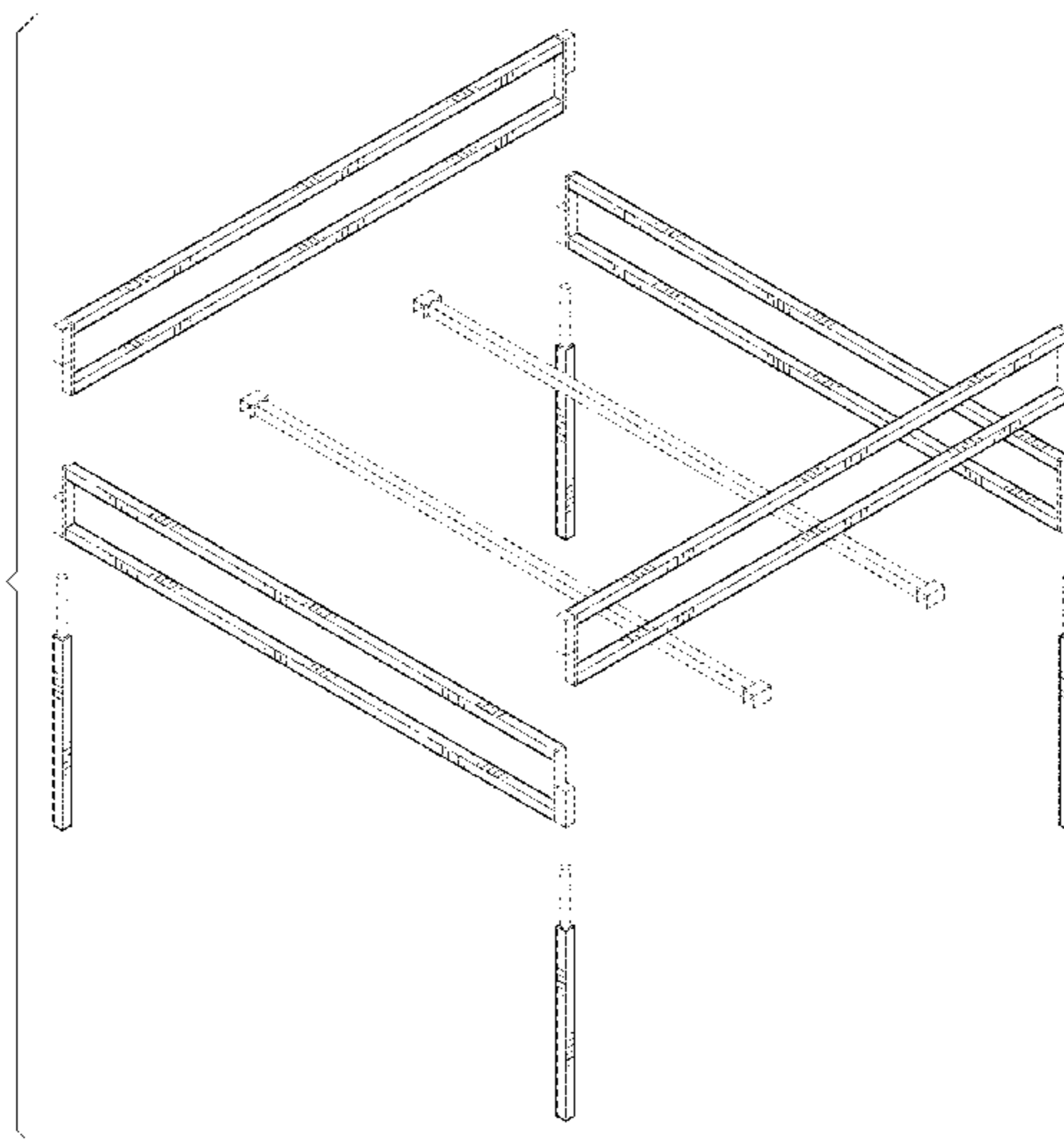
(56) **References Cited**

U.S. PATENT DOCUMENTS

1,912,847 A 6/1933 Klepel
2,695,712 A 11/1954 Kolander
2,789,531 A * 4/1957 Diefendorf A01K 31/08
119/461

(Continued)

1 Claim, 7 Drawing Sheets



(56)

References Cited

U.S. PATENT DOCUMENTS

2,794,496 A 6/1957 Strand
 3,013,670 A 12/1961 Mayer
 3,121,496 A 2/1964 Brunette
 3,172,376 A 3/1965 Havlis
 3,189,363 A 6/1965 Pierrat
 3,502,227 A 3/1970 Schell, Jr.
 3,517,828 A 6/1970 Hunter
 3,599,580 A 8/1971 Adair et al.
 3,765,541 A 10/1973 Madey et al.
 3,787,072 A 1/1974 Deboer et al.
 3,919,603 A 11/1975 Salvati
 D240,871 S 8/1976 Herman
 3,997,139 A 12/1976 Young et al.
 4,099,735 A 7/1978 Becket, III
 4,112,853 A * 9/1978 Tisbo A47B 47/0008
 108/159
 4,179,169 A 12/1979 Daniels et al.
 D254,994 S 5/1980 Miereanu et al.
 4,419,938 A 12/1983 Kaut
 4,516,376 A 5/1985 King
 4,630,550 A 12/1986 Weitzman
 4,684,087 A 8/1987 Spickard
 4,773,547 A 9/1988 Bell
 4,832,421 A 5/1989 Shoffner
 D304,982 S 12/1989 Bush et al.
 4,974,526 A 12/1990 Wiygul, Jr.
 5,016,765 A 5/1991 Leonardo
 D321,571 S 11/1991 Lucariello
 5,257,794 A 11/1993 Nakamura
 5,313,725 A 5/1994 DeVassie
 5,335,605 A 8/1994 Drabczyk
 5,370,245 A 12/1994 Tersch et al.
 5,437,165 A 8/1995 White
 5,517,928 A 5/1996 Erdman
 5,527,103 A 6/1996 Pittman
 5,531,464 A 7/1996 Maurer et al.
 5,579,703 A 12/1996 King
 5,645,331 A 7/1997 Eddy et al.
 5,678,706 A 10/1997 Husak et al.
 5,715,956 A 2/1998 Yoshida
 5,813,737 A 9/1998 Stone
 5,931,019 A 8/1999 White
 5,941,183 A 8/1999 Ming-Shun
 5,943,968 A 8/1999 Dobson et al.
 5,954,412 A 9/1999 Rutherford et al.
 6,027,000 A 2/2000 Sterzel et al.
 6,073,320 A 6/2000 Salatin et al.
 6,135,299 A 10/2000 Burgess
 6,205,738 B1 3/2001 Chen
 6,213,333 B1 4/2001 Icard
 6,286,405 B1 9/2001 Hamm
 6,454,261 B2 9/2002 Ohira
 6,550,791 B2 4/2003 Ramsey
 6,581,221 B2 6/2003 Rosenquist
 6,651,456 B1 11/2003 White
 6,811,163 B1 11/2004 Gurule et al.
 6,902,074 B2 6/2005 Albrecht

6,948,435 B1 9/2005 Sheng
 6,969,077 B2 11/2005 Liu
 7,055,834 B1 6/2006 White et al.
 7,152,749 B2 12/2006 Beck
 7,165,749 B2 1/2007 Venzia
 D553,398 S 10/2007 LeTourneau
 7,438,195 B2 10/2008 Beck
 7,770,323 B2 8/2010 Kim
 D636,038 S * 4/2011 Henniger D21/691
 D636,039 S * 4/2011 Henniger D21/691
 D636,040 S * 4/2011 Henniger D21/691
 D639,448 S 6/2011 Grainger
 D641,559 S * 7/2011 Segura D6/313
 D660,614 S * 5/2012 Palmeiri D6/681
 D675,701 S * 2/2013 Saringer D22/125
 D677,932 S * 3/2013 Wang D6/681.1
 D682,639 S 5/2013 Dray
 D702,954 S * 4/2014 Bentley D6/362
 D704,973 S 5/2014 Denby
 8,714,498 B2 5/2014 Ortega
 D716,079 S 10/2014 Su
 D727,071 S * 4/2015 Cohen D6/675.1
 D730,086 S * 5/2015 Kitada D6/643
 D730,089 S 5/2015 Carbone
 D731,212 S 6/2015 Hsu
 9,084,478 B2 7/2015 Ortega
 D736,601 S 8/2015 Cox
 D756,690 S * 5/2016 Ortega A47B 13/06
 D6/675
 9,468,288 B2 10/2016 Hargreaves
 9,492,009 B2 * 11/2016 Naka A47B 47/0091
 D775,703 S * 1/2017 Throgmorton D22/107
 9,615,657 B2 4/2017 Ortega
 D786,492 S * 5/2017 Hargreaves D26/138
 D790,137 S * 6/2017 Scotti D30/120
 D802,340 S * 11/2017 Hykamp D6/675
 D802,341 S * 11/2017 Yaraghi D6/675
 2007/0095770 A1 * 5/2007 Backofen A01K 63/003
 211/133.1
 2008/0191538 A1 8/2008 Berg et al.
 2009/0284111 A1 11/2009 Hazzard et al.
 2010/0313474 A1 12/2010 Williams
 2012/0199707 A1 8/2012 Ortega
 2015/0320200 A1 11/2015 Ortega
 2016/0014979 A1 1/2016 Hargreaves

FOREIGN PATENT DOCUMENTS

CN 101505585 8/2009
 CN 201830709 5/2011
 WO WO2013019268 2/2013

OTHER PUBLICATIONS

Chinese Patent Office, Translation of Chinese Office Action for CN 201280018267.2.
 Chinese Patent Office, Translation of Chinese Office Action for CN 201280018267.2.

* cited by examiner

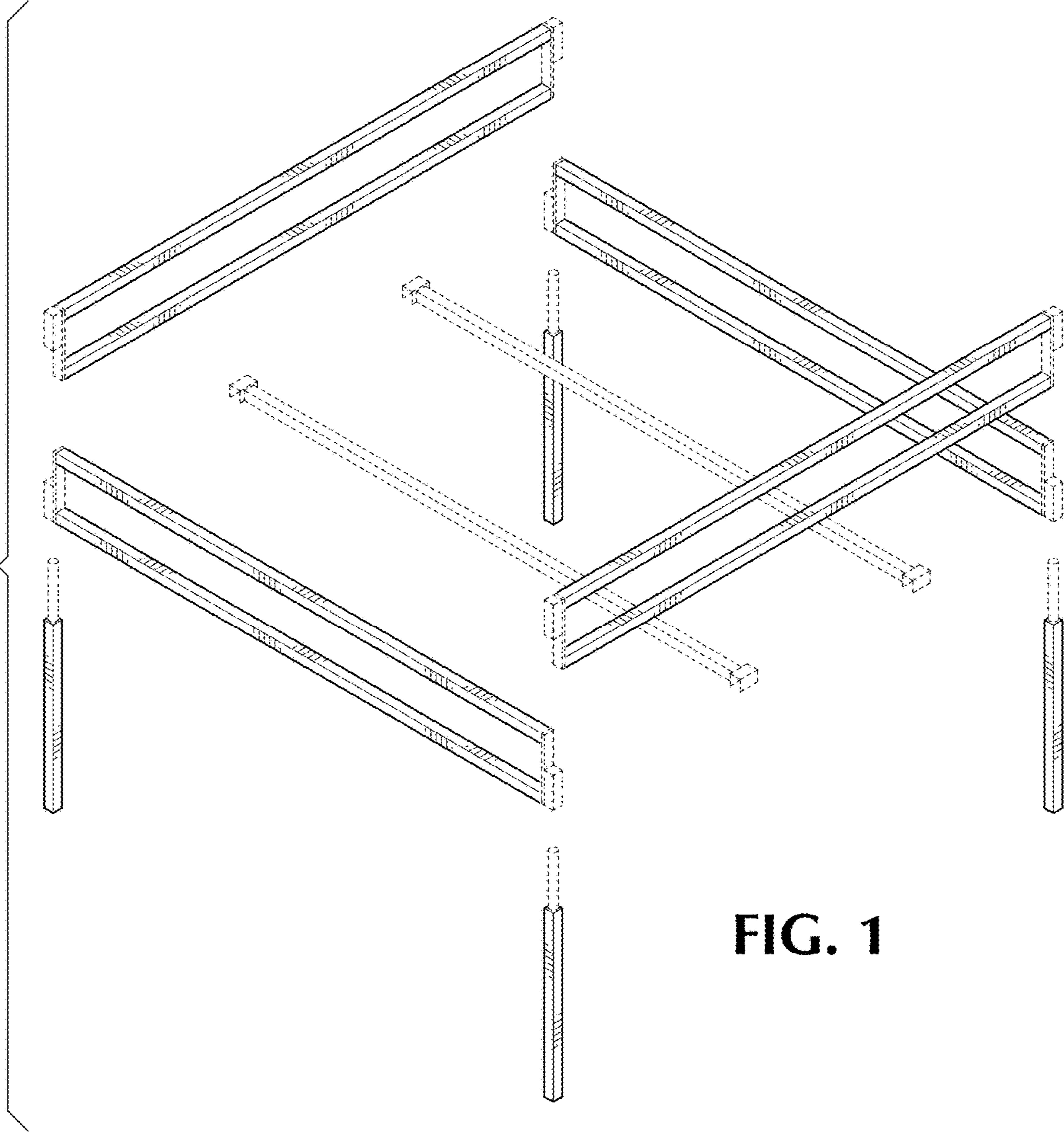


FIG. 1

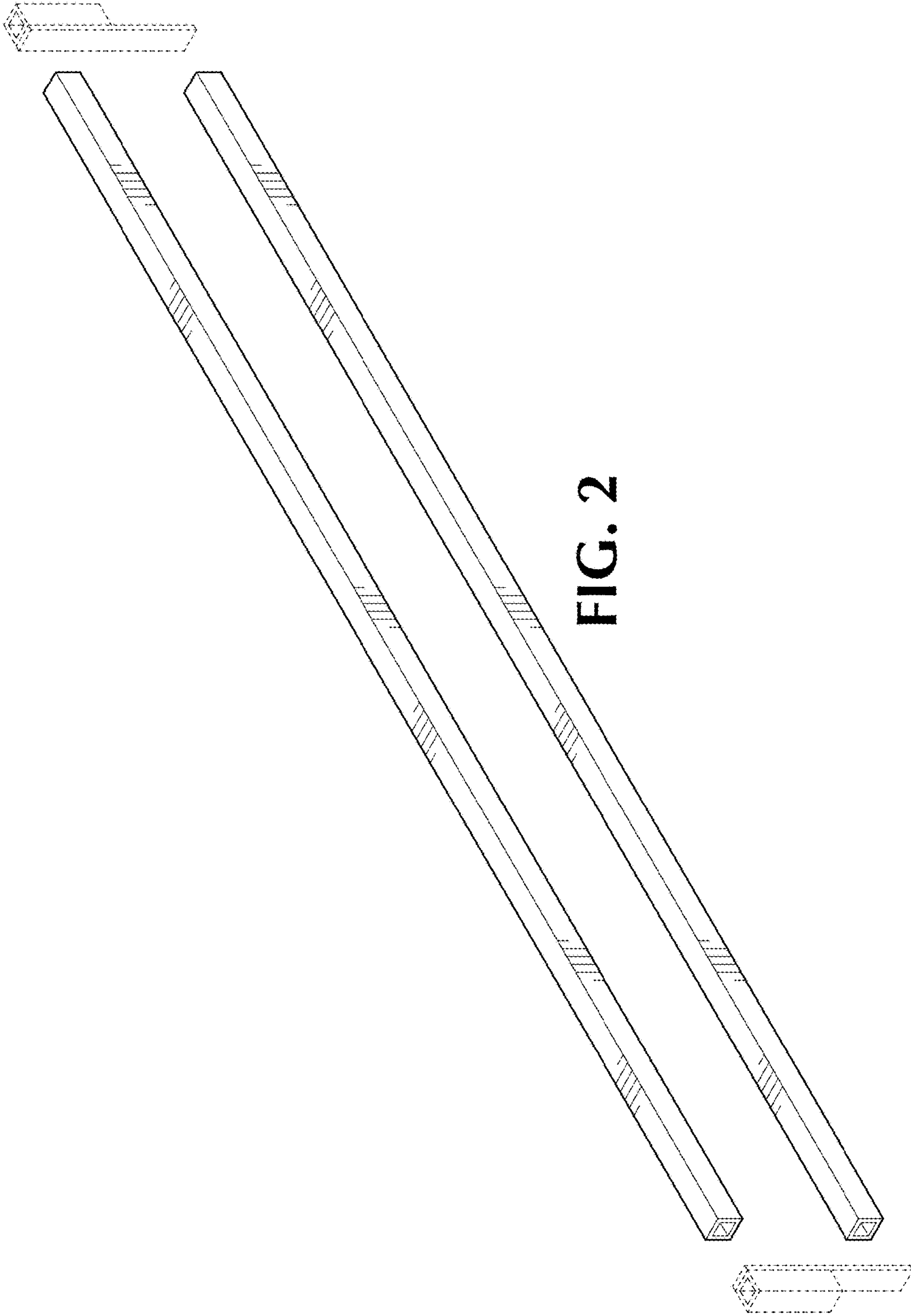


FIG. 2

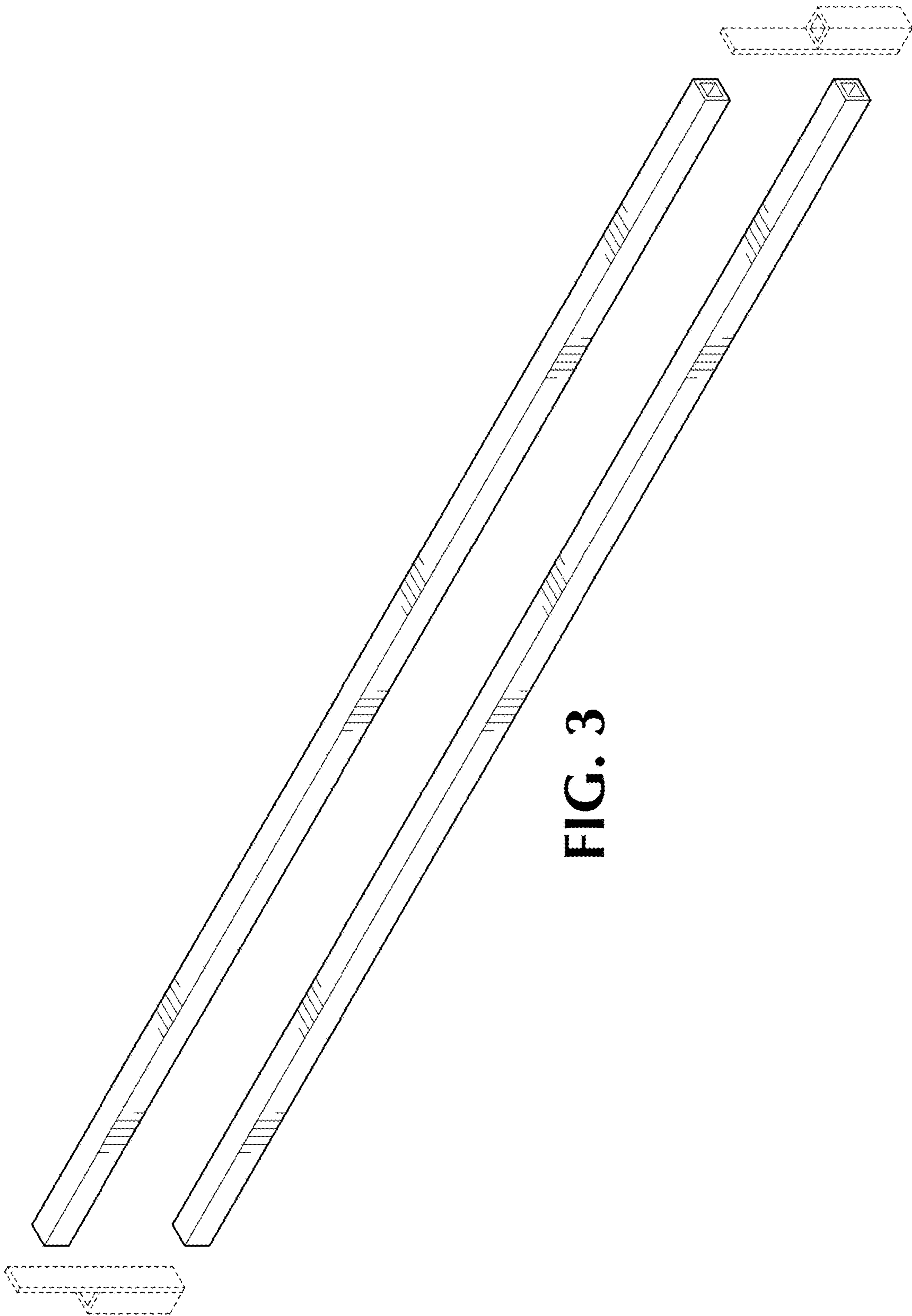


FIG. 3

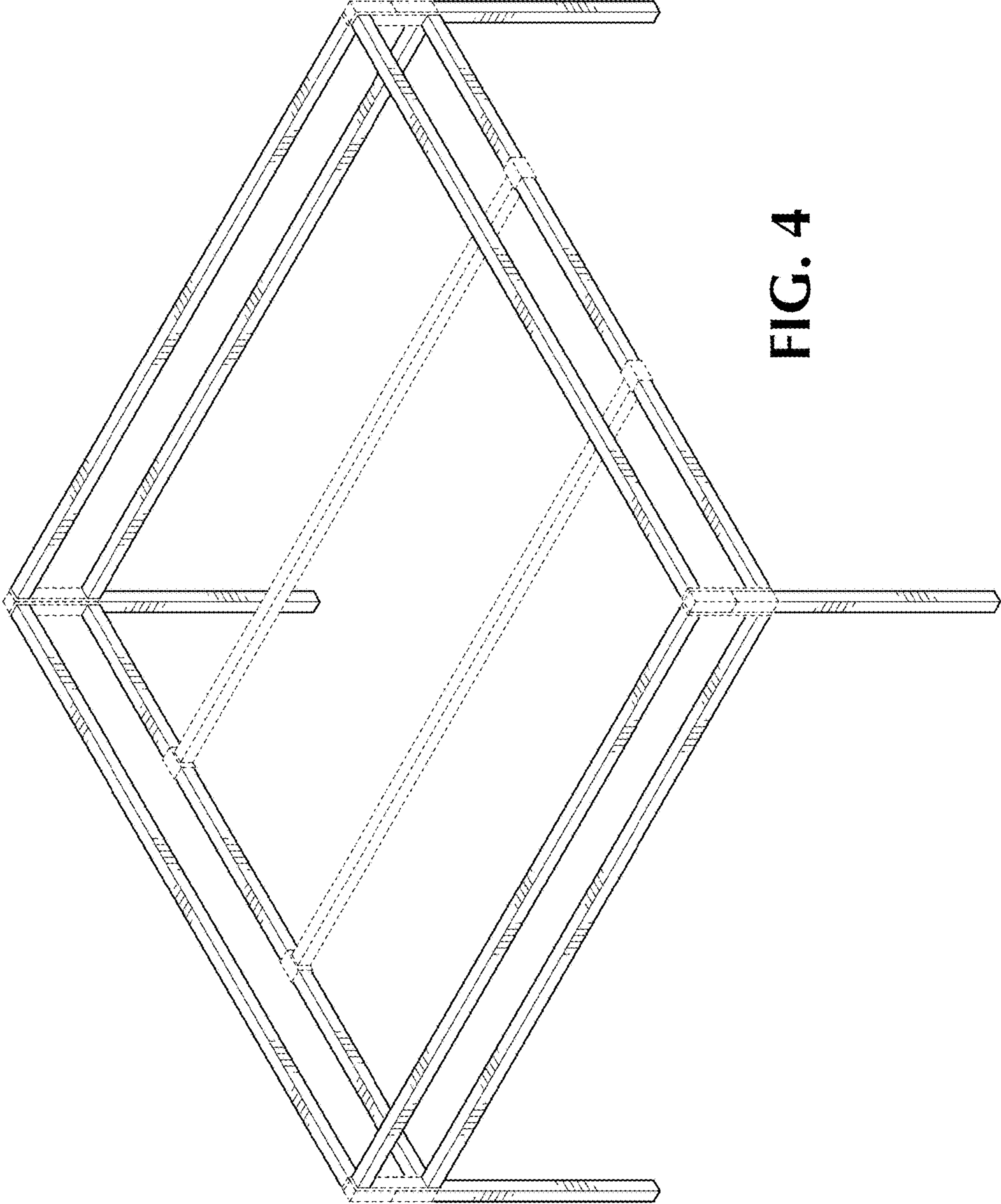


FIG. 4

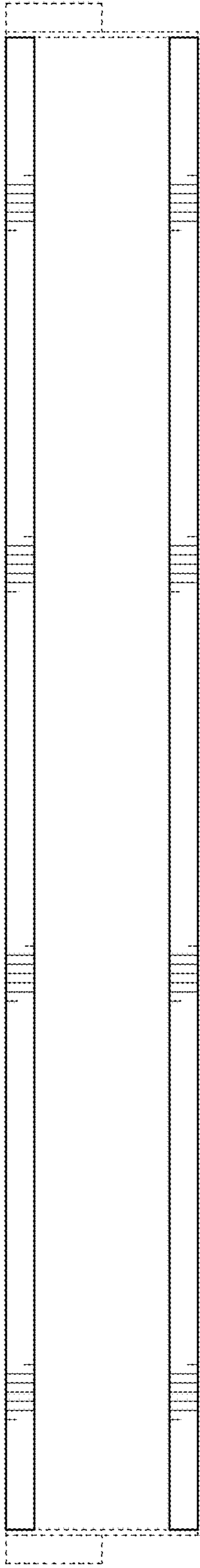


FIG. 5

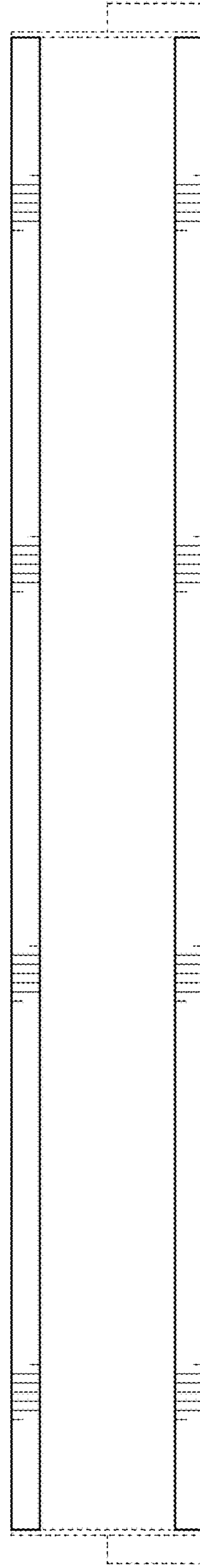


FIG. 6

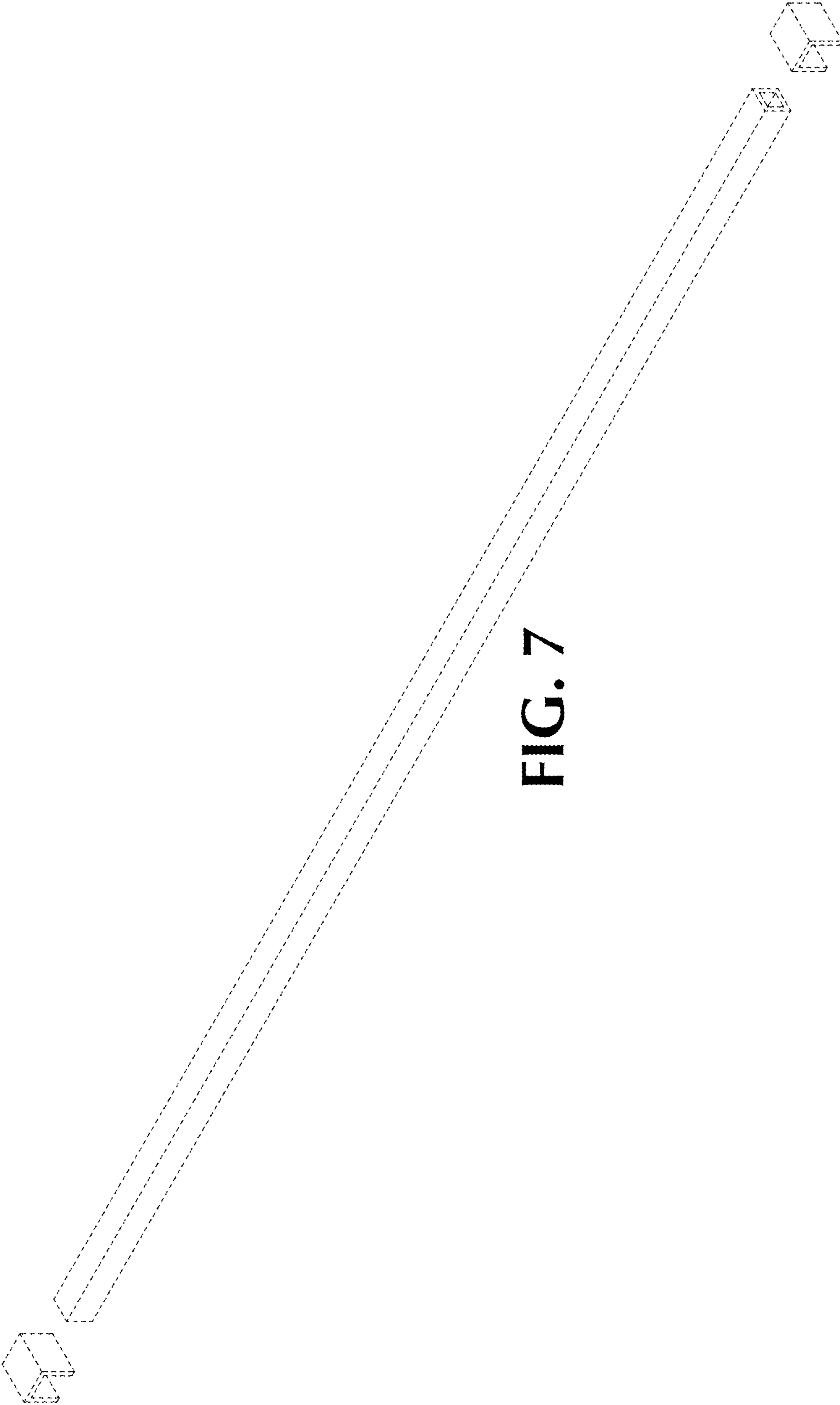


FIG. 7

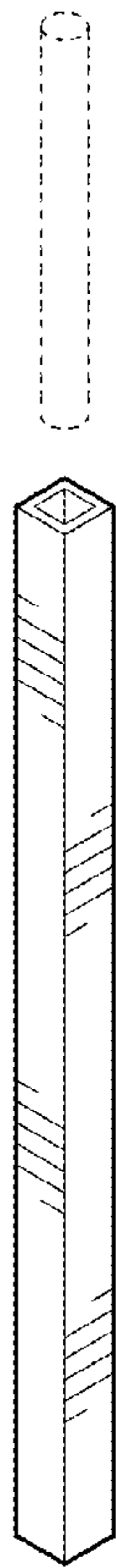


FIG. 8