



US00D836954S

(12) **United States Design Patent** (10) **Patent No.:** **US D836,954 S**
Turner et al. (45) **Date of Patent:** **** Jan. 1, 2019**

(54) **SHELF COMPONENTS**
(71) Applicant: **DCI Marketing, Inc.**, Milwaukee, WI (US)
(72) Inventors: **Christopher J. Turner**, Pewaukee, WI (US); **Craig A. Fluegge**, Menomonee Falls, WI (US)
(73) Assignee: **Retail Space Solutions LLC**, Milwaukee, WI (US)

D290,790 S * 7/1987 Nathan D6/515
4,705,175 A 11/1987 Howard
4,726,236 A 2/1988 Wada
4,730,741 A 3/1988 Jackie
4,836,390 A 6/1989 Polvere
D305,586 S * 1/1990 Wombacher D6/512
4,907,707 A * 3/1990 Crum A47F 1/126
206/556
5,012,936 A * 5/1991 Crum A47F 1/126
206/556

(Continued)

FOREIGN PATENT DOCUMENTS

EP 2767192 8/2014
GB 2290077 12/1995

(Continued)

Primary Examiner — John Windmuller
Assistant Examiner — Steven J Czyz

(74) *Attorney, Agent, or Firm* — Fitch, Even, Tabin & Flannery LLP

(**) Term: **15 Years**
(21) Appl. No.: **29/556,697**
(22) Filed: **Mar. 2, 2016**
(51) **LOC (11) Cl.** **06-06**
(52) **U.S. Cl.**
USPC **D6/675; D6/512**
(58) **Field of Classification Search**
USPC D6/672, 674, 675, 705, 705.2, 705.5,
D6/705.7, 706, 512, 515, 574
CPC .. A47F 1/04; A47F 1/06; A47F 5/0018; A47F
5/0081; A47F 5/0093; A47B 96/02
See application file for complete search history.

(57) **CLAIM**

The ornamental design for shelf components, as shown and described.

DESCRIPTION

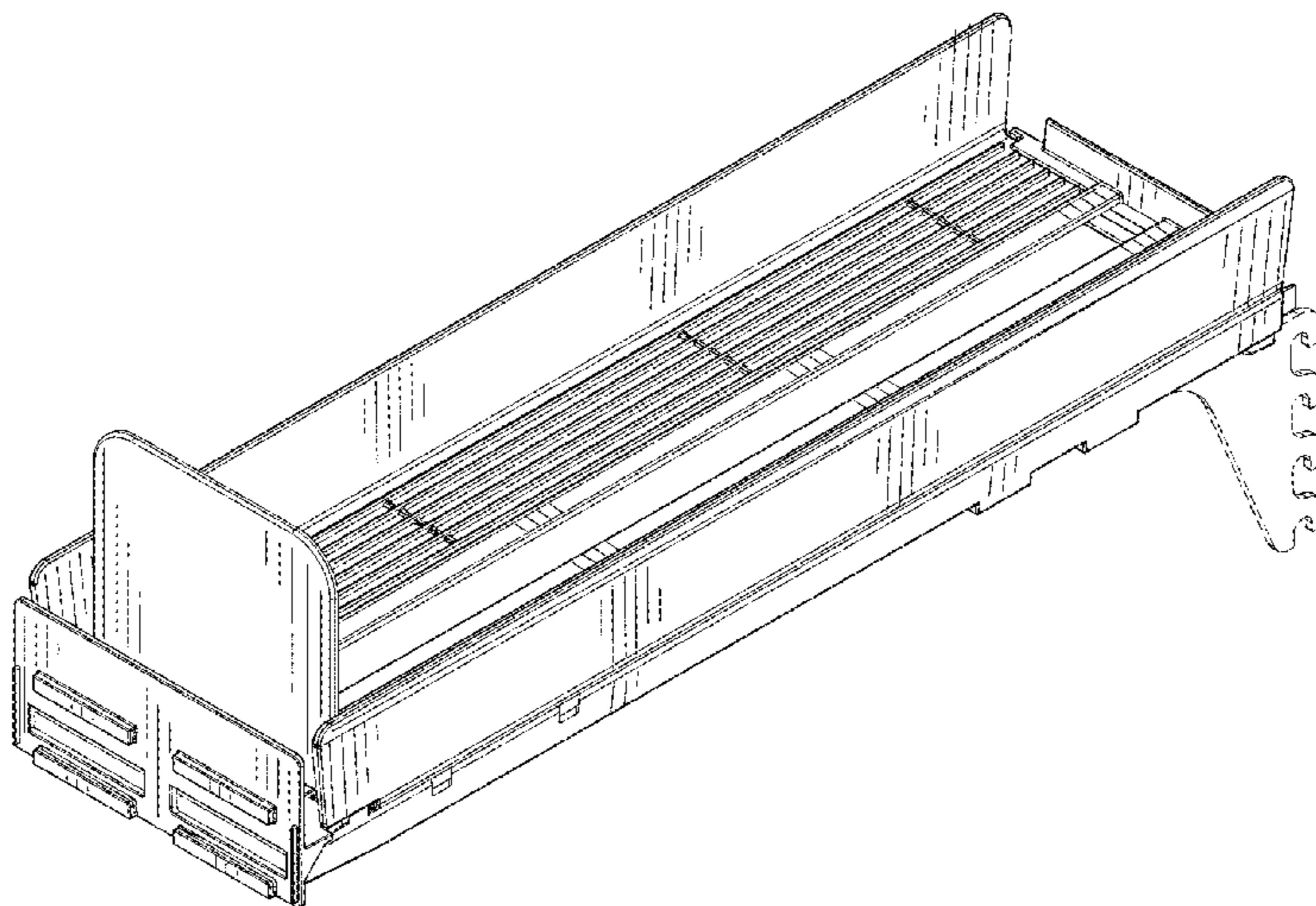
FIG. 1 is a perspective view of shelf components showing our new design;
FIG. 2 is a top view thereof;
FIG. 3 is a bottom view thereof;
FIG. 4 is a left side elevation view thereof;
FIG. 5 is a right side elevation view thereof;
FIG. 6 is a front elevation view thereof;
FIG. 7 is a rear elevation view thereof; and,
FIG. 8 is a perspective view of the shelf components, shown in an extended position.
The broken lines depict portions of the article that form no part of the claimed design.

(56) **References Cited**

U.S. PATENT DOCUMENTS

1,702,987 A 2/1929 Wilson
2,919,814 A 1/1960 Berkowitz
2,934,212 A 4/1960 Jacobson
3,161,295 A 12/1964 Taylor
3,452,899 A 7/1969 Libberton
4,022,363 A 5/1977 Eliassen
4,130,203 A 12/1978 Russell
4,310,097 A 1/1982 Merl
4,318,485 A 3/1982 Clement
4,367,818 A 1/1983 Suttles
4,401,221 A 8/1983 Suttles
4,423,816 A 1/1984 Suttles
D290,670 S * 7/1987 Nathan D20/8

1 Claim, 7 Drawing Sheets



(56)

References Cited

U.S. PATENT DOCUMENTS

2014/0190913 A1 7/2014 Hardy
2014/0284290 A1 9/2014 Hardy
2014/0319086 A1* 10/2014 Sosso A47F 1/126
211/59.3
2014/0360953 A1 12/2014 Pichel
2015/0028680 A1 1/2015 Zeuch
2015/0374120 A1 12/2015 Hardy
2016/0000235 A1 1/2016 Hardy

FOREIGN PATENT DOCUMENTS

GB 2392667 3/2004
GB 2351073 8/2011
WO 2014200759 12/2014

* cited by examiner

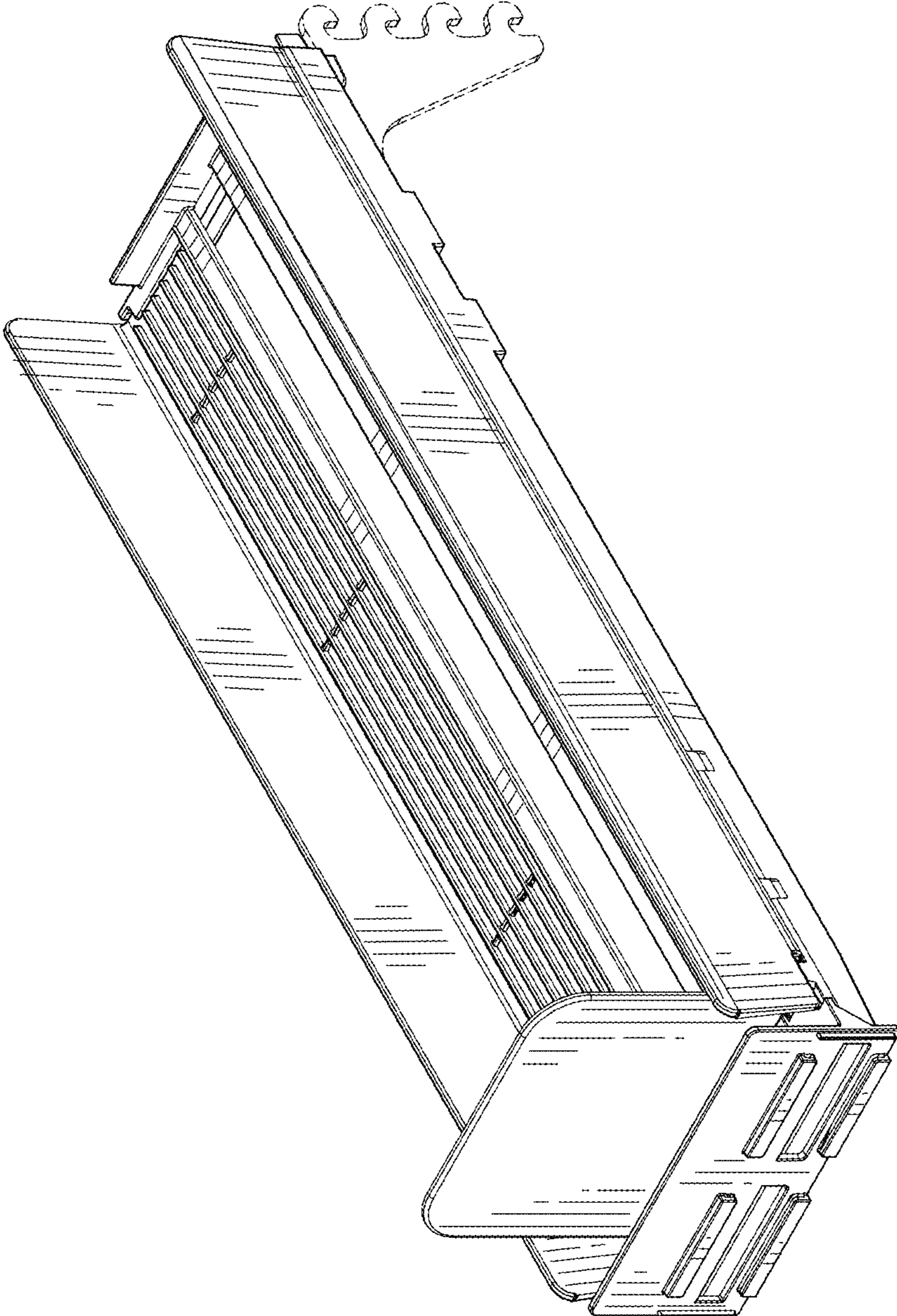


FIG. 1

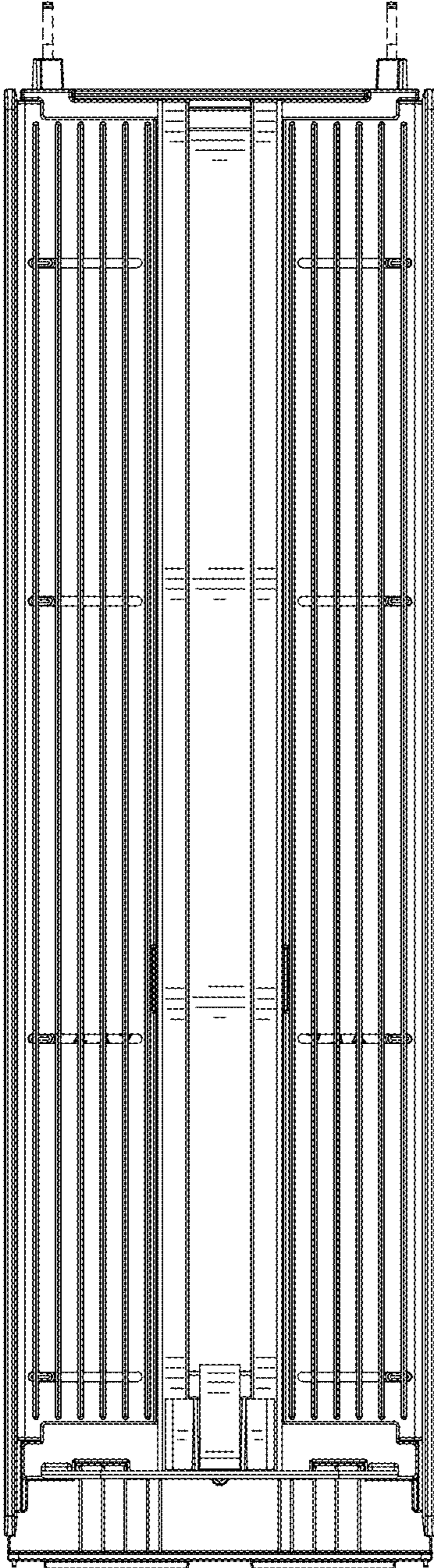


FIG. 2

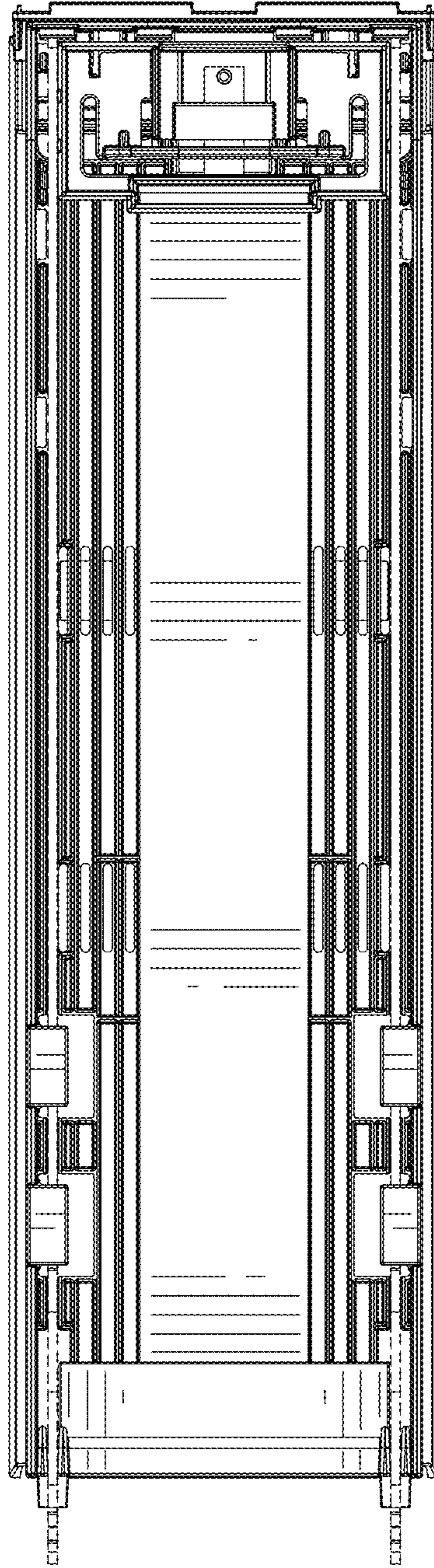


FIG. 3

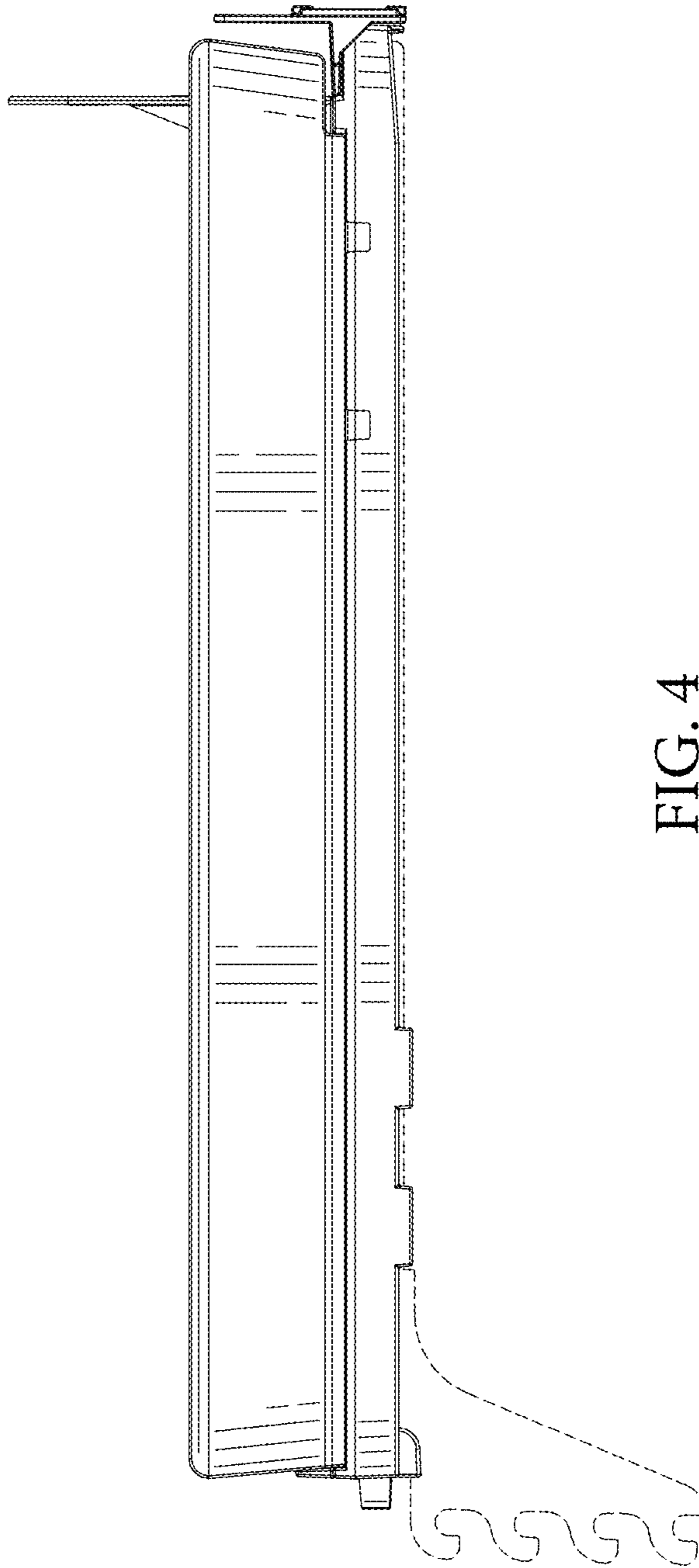


FIG. 4

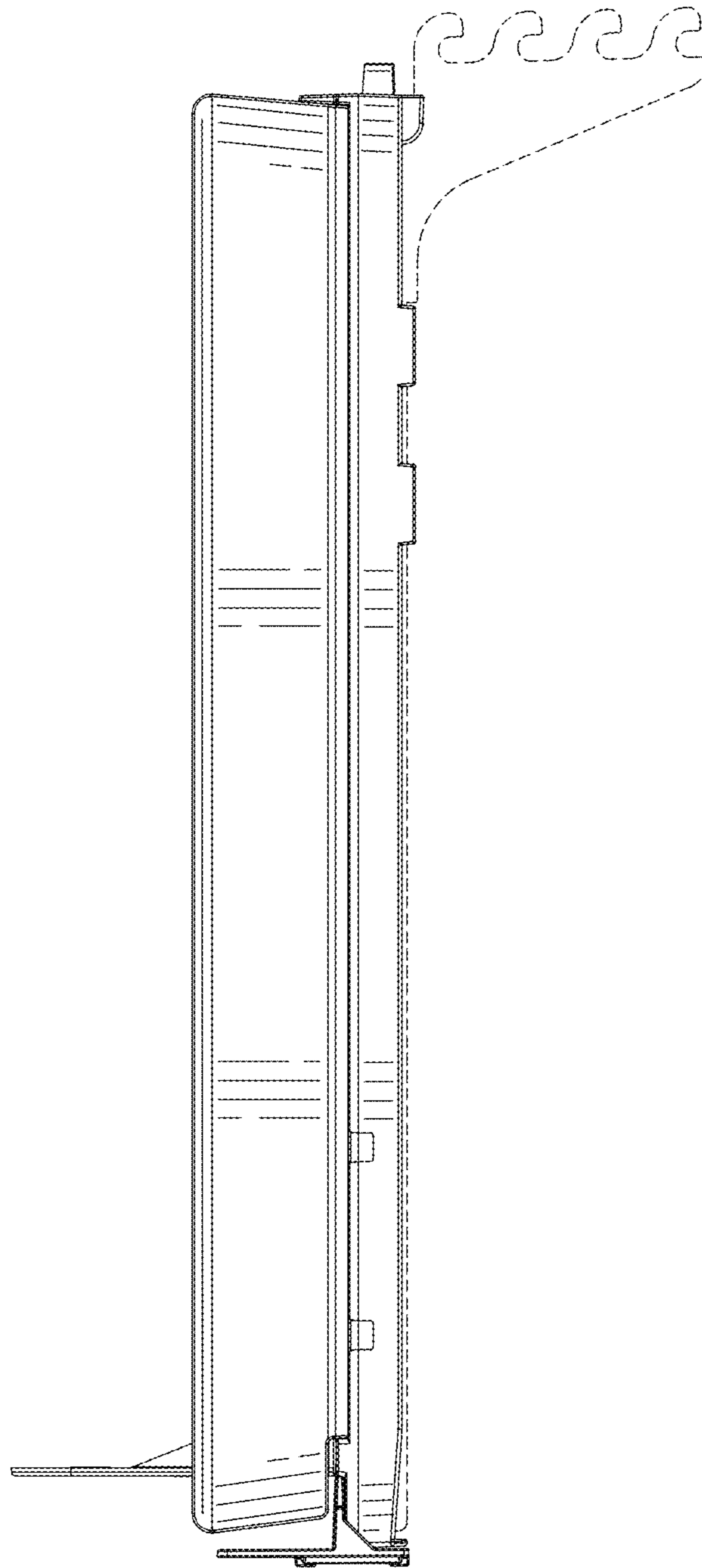


FIG. 5

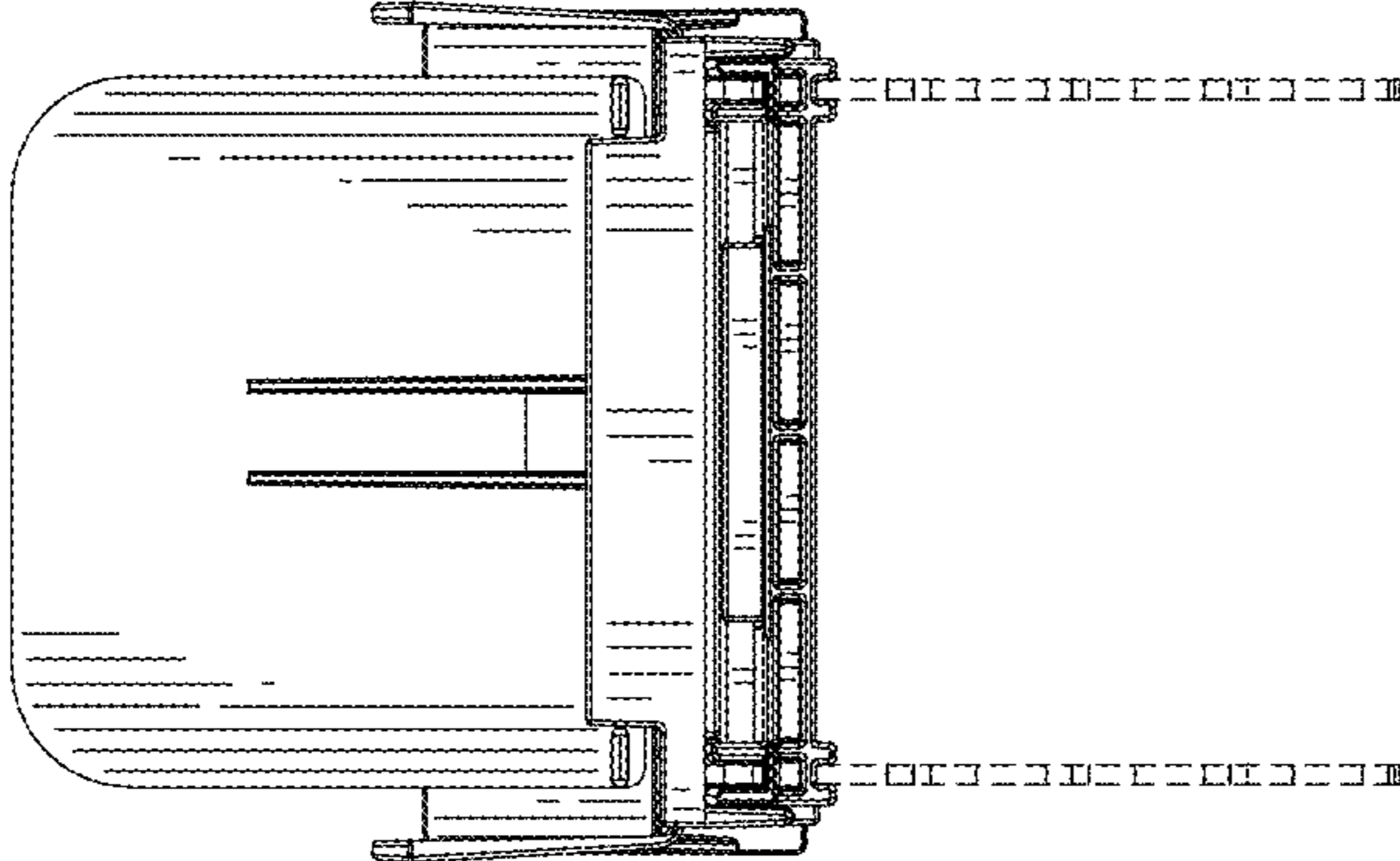


FIG. 7

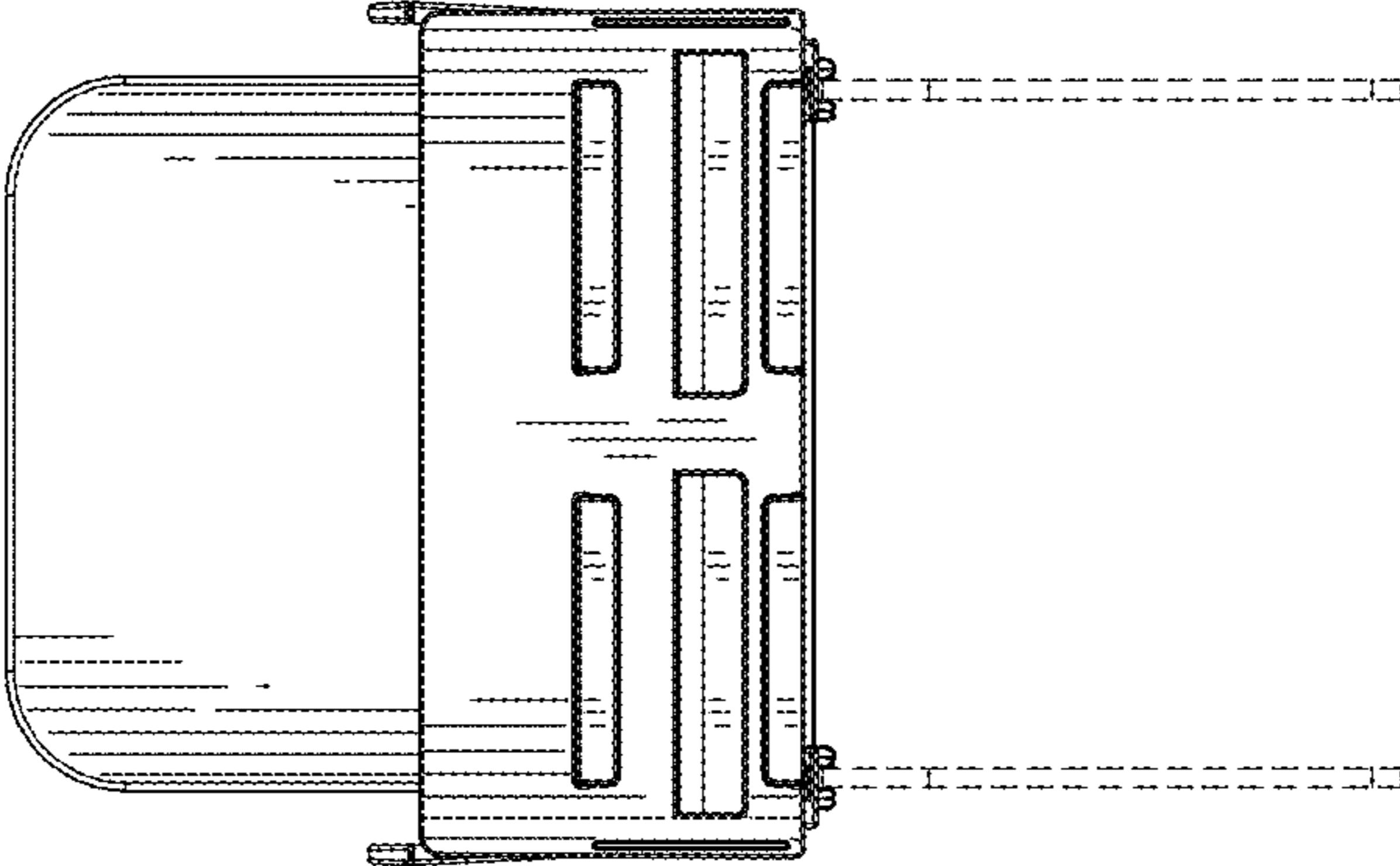


FIG. 6

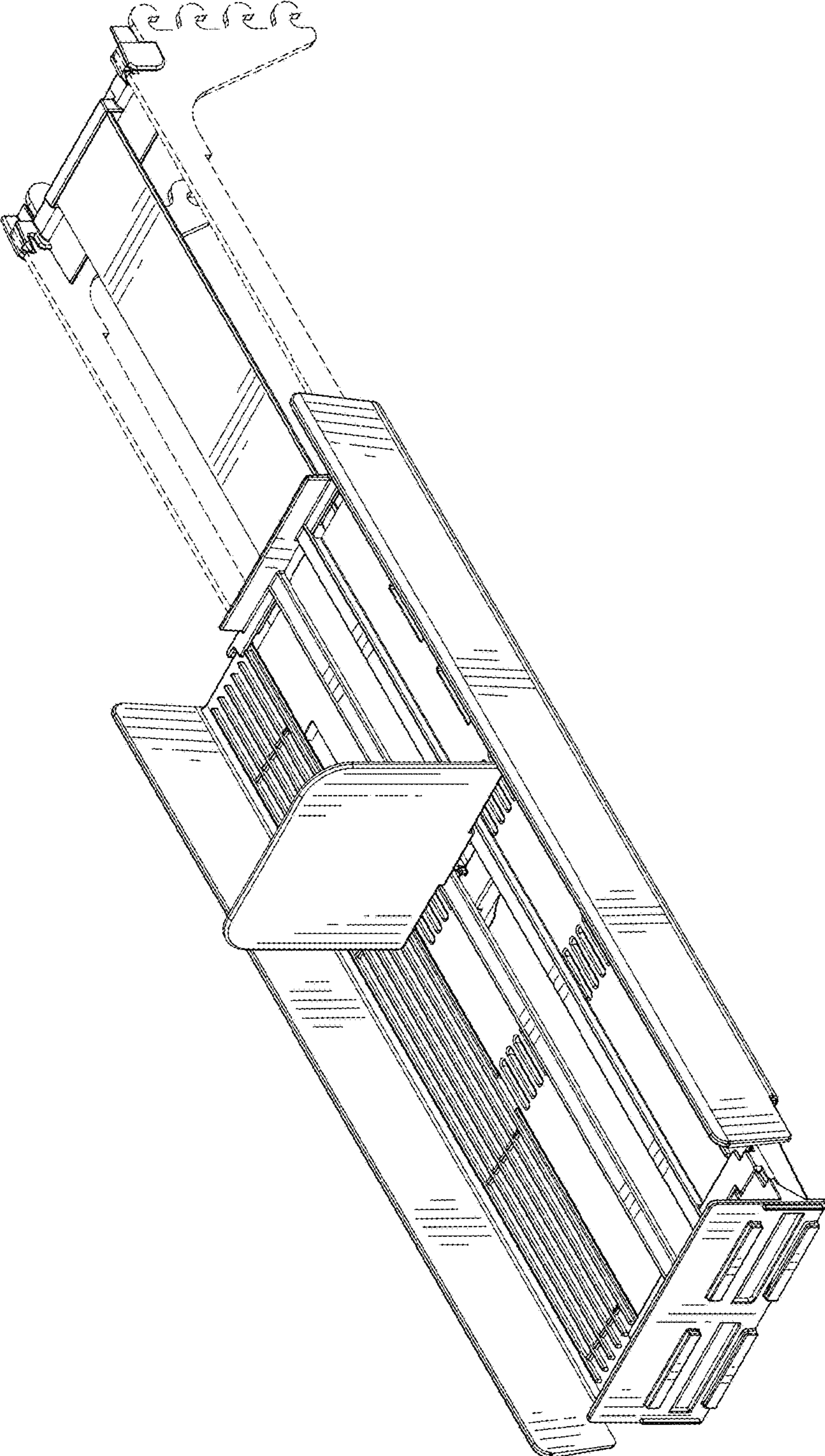


FIG. 8