



US00D836952S

(12) **United States Design Patent**  
**Hu**

(10) **Patent No.:** **US D836,952 S**  
(45) **Date of Patent:** **\*\* Jan. 1, 2019**

- (54) **KEYBOARD DESK WITH GUARD BOARD**
- (71) Applicant: **Yajun Hu**, El Dorado Hills, CA (US)
- (72) Inventor: **Yajun Hu**, El Dorado Hills, CA (US)
- (73) Assignees: **YaJun Hu**, El Dorado Hills, CA (US);  
**EUREKA LLC**, El Dorado Hills, CA (US)
- (\*\*) Term: **15 Years**
- (21) Appl. No.: **29/607,167**
- (22) Filed: **Jun. 10, 2017**
- (51) **LOC (11) Cl.** ..... **06-03**
- (52) **U.S. Cl.**  
USPC ..... **D6/648; D6/708**
- (58) **Field of Classification Search**  
USPC ..... D6/641, 642, 648, 648.1, 648.2, 648.3,  
D6/648.4, 649, 653, 655, 655.11, 655.13,  
D6/656, 656.15, 699, 708, 708.16,  
D6/708.17, 709, 709.2, 710  
CPC ..... A47B 7/00; A47B 13/08; A47B 13/10;  
A47B 21/00; A47B 2009/006; A47B  
11/00; A47B 2200/002; A47B 3/14; A47B  
83/02; A47B 37/04; A47B 2200/0051;  
A47B 2200/0052; A47B 2200/0053;  
A47B 2200/0054; A47B 2200/0055;  
A47B 21/02; G07C 3/005  
See application file for complete search history.

- (56) **References Cited**  
U.S. PATENT DOCUMENTS  
D166,377 S \* 4/1952 Curtis ..... D6/678.2  
D285,270 S \* 8/1986 Hannah ..... D14/457  
4,913,390 A \* 4/1990 Berke ..... A47B 21/0314  
248/118.3  
D342,242 S \* 12/1993 Hassel ..... D14/461  
5,490,466 A \* 2/1996 Diffrient ..... A47B 21/0314  
108/138  
D395,969 S \* 7/1998 Barlow-Lawson ..... D6/707.15

- 5,845,586 A \* 12/1998 Moore ..... A47B 21/00  
108/50.01
- 6,419,197 B2 \* 7/2002 Kochanski ..... A47B 21/0314  
108/96
- D464,212 S \* 10/2002 Chen ..... D6/653.1
- D478,225 S 8/2003 Wang
- D499,273 S 12/2004 Chang
- D499,576 S 12/2004 Long
- D526,812 S 8/2006 Chen
- D547,970 S 8/2007 Chou
- D549,009 S 8/2007 Lin
- D583,587 S 12/2008 Lai
- D586,150 S 2/2009 Lai
- D586,588 S 2/2009 Lai
- D618,017 S 6/2010 Sexton
- D635,797 S 4/2011 Xingyin
- D771,981 S \* 11/2016 Flaherty ..... D6/655
- D771,982 S \* 11/2016 Flaherty ..... D6/655
- 9,504,316 B1 \* 11/2016 Streicher ..... A47B 21/02

(Continued)

*Primary Examiner* — Mary Ann Calabrese  
*Assistant Examiner* — Sloan Rozin

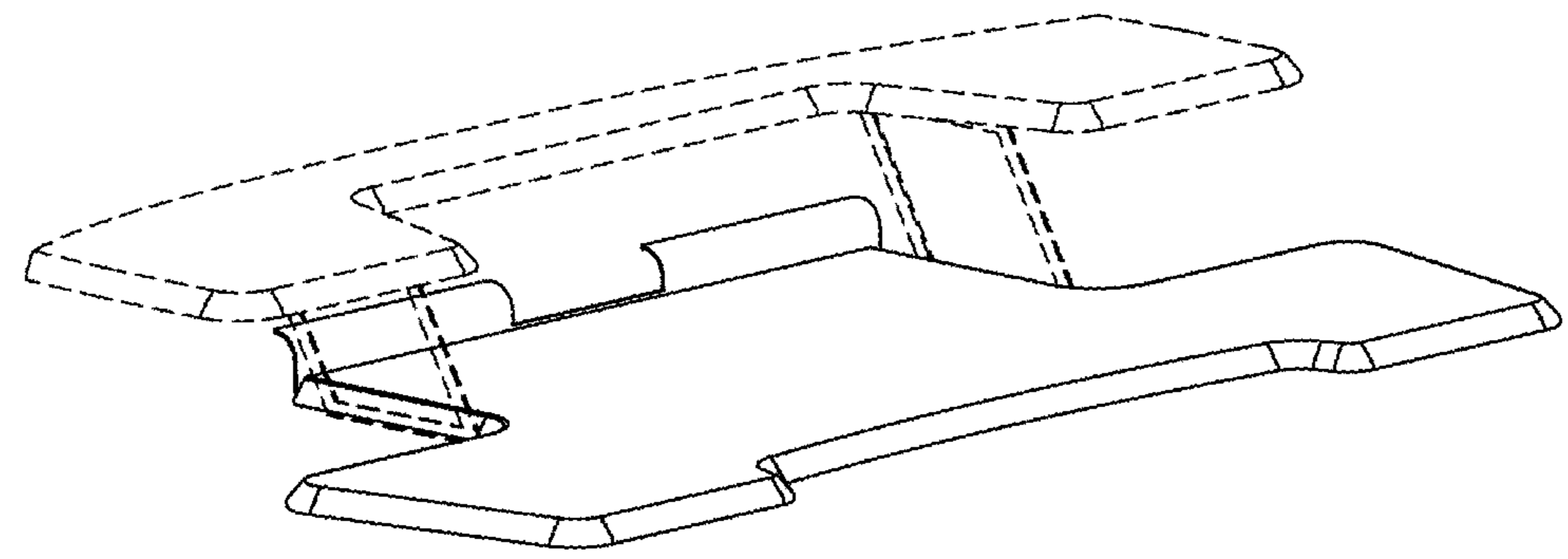
(57) **CLAIM**

The ornamental design for a keyboard desk with guard board, as shown and described.

**DESCRIPTION**

FIG. 1 is a perspective view of the keyboard desk with guard board;  
 FIG. 2 is a front view thereof;  
 FIG. 3 is a bottom view thereof;  
 FIG. 4 is a top view thereof;  
 FIG. 5 is a rear side view thereof;  
 FIG. 6 is a left side view thereof; and,  
 FIG. 7 is a right side view thereof.  
 The broken line showing of elements on the keyboard desk with guard board illustrate portions of the article and form no part of the claimed design.

**1 Claim, 7 Drawing Sheets**



(56)

**References Cited**

U.S. PATENT DOCUMENTS

D781,617 S \* 3/2017 Flaherty ..... D6/655  
D781,618 S \* 3/2017 Flaherty ..... D6/655  
D781,619 S \* 3/2017 Flaherty ..... D6/655  
D784,050 S \* 4/2017 Flaherty ..... D6/655  
D785,386 S \* 5/2017 Flaherty ..... D6/707.15  
D785,989 S \* 5/2017 Flaherty ..... D6/696  
2006/0260515 A1 \* 11/2006 Hodges ..... A47B 37/00  
108/6  
2008/0203865 A1 \* 8/2008 Chouinard ..... A47B 21/02  
312/223.3  
2013/0139736 A1 \* 6/2013 Flaherty ..... A47B 9/18  
108/106  
2017/0290413 A1 \* 10/2017 Hu ..... A47B 21/02  
2017/0354244 A1 \* 12/2017 Lee ..... A47B 21/02  
2017/0354245 A1 \* 12/2017 Martin ..... A47B 9/16

\* cited by examiner

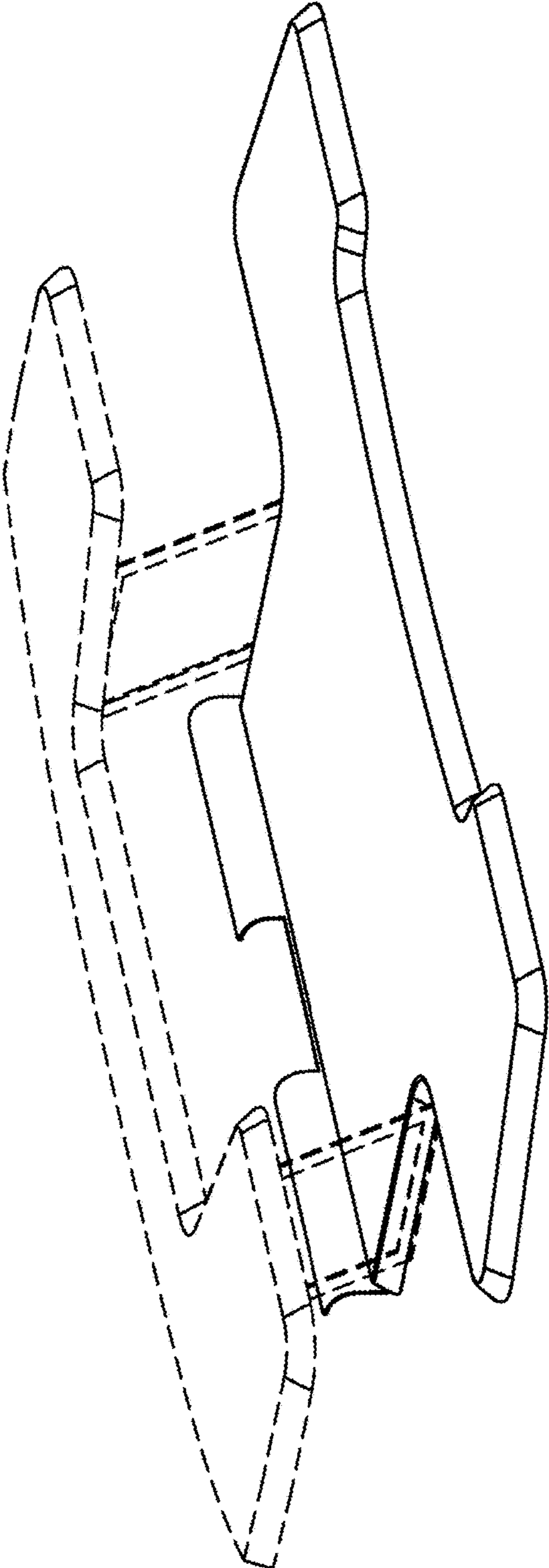


FIG.1

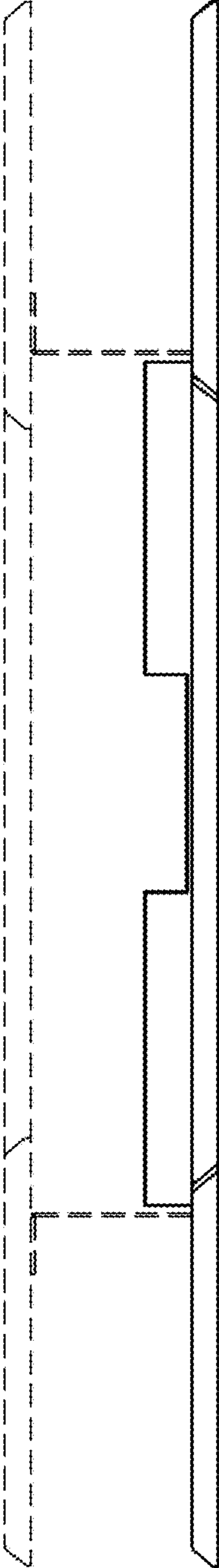


FIG.2

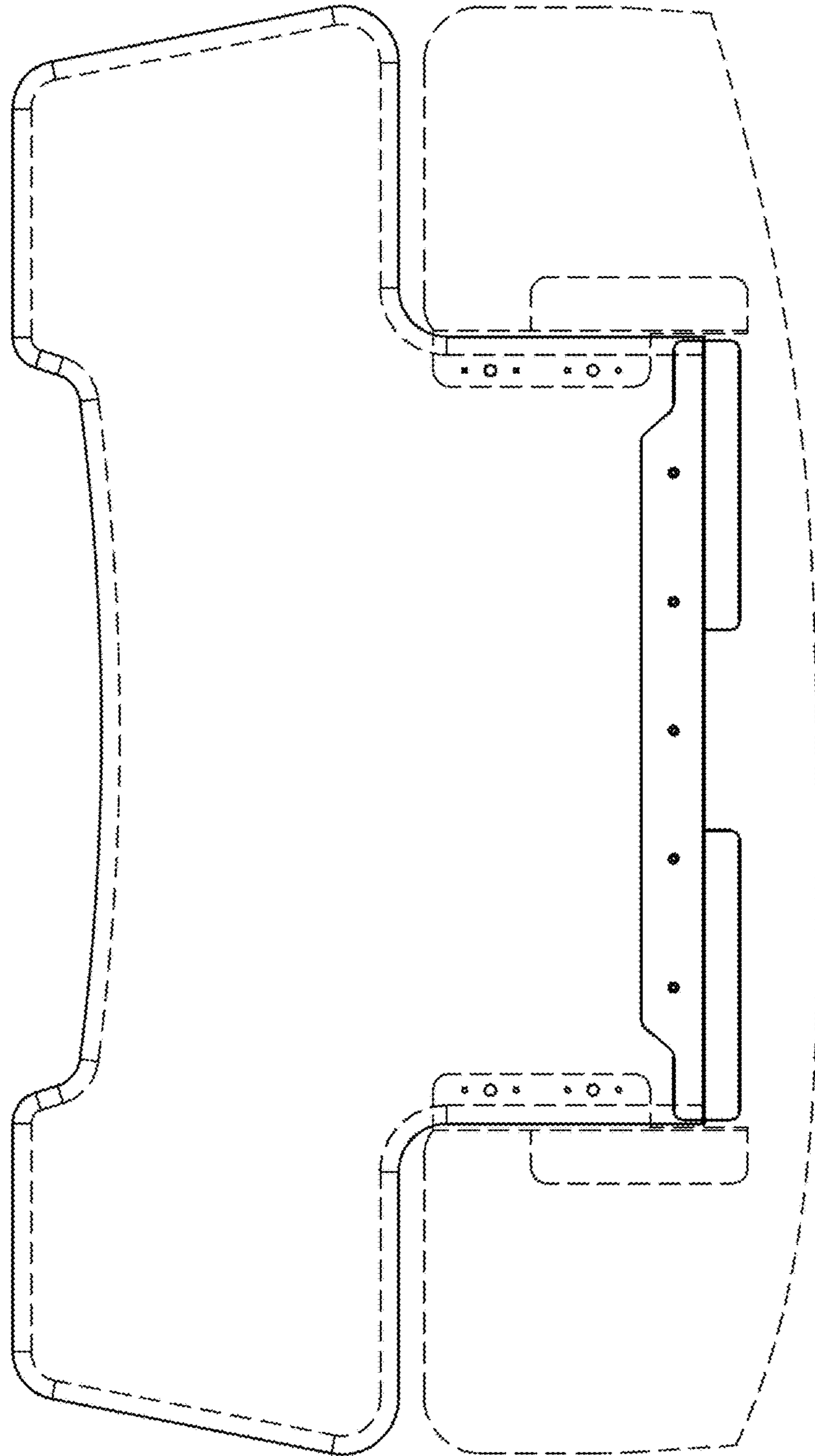


FIG. 3

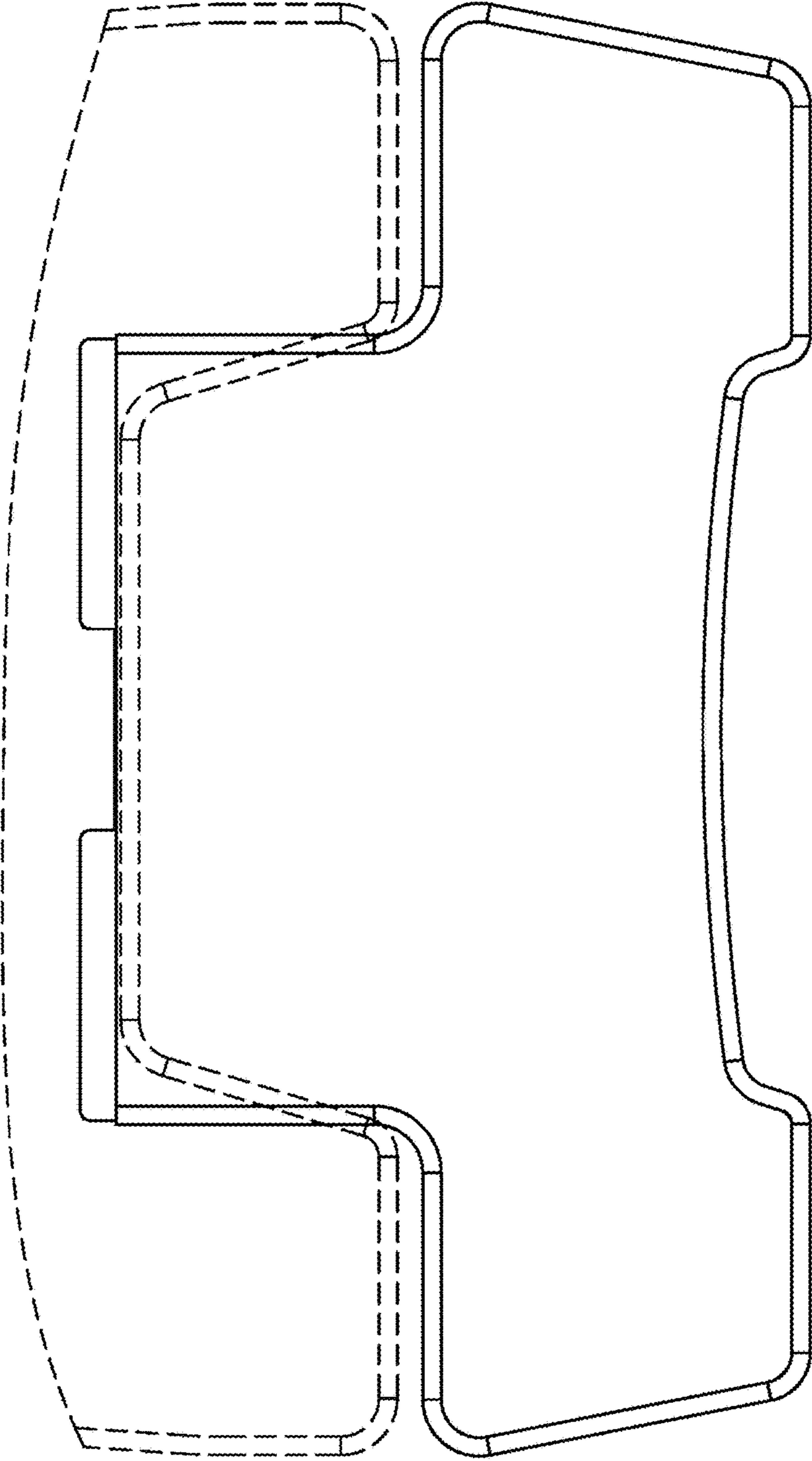


FIG.4





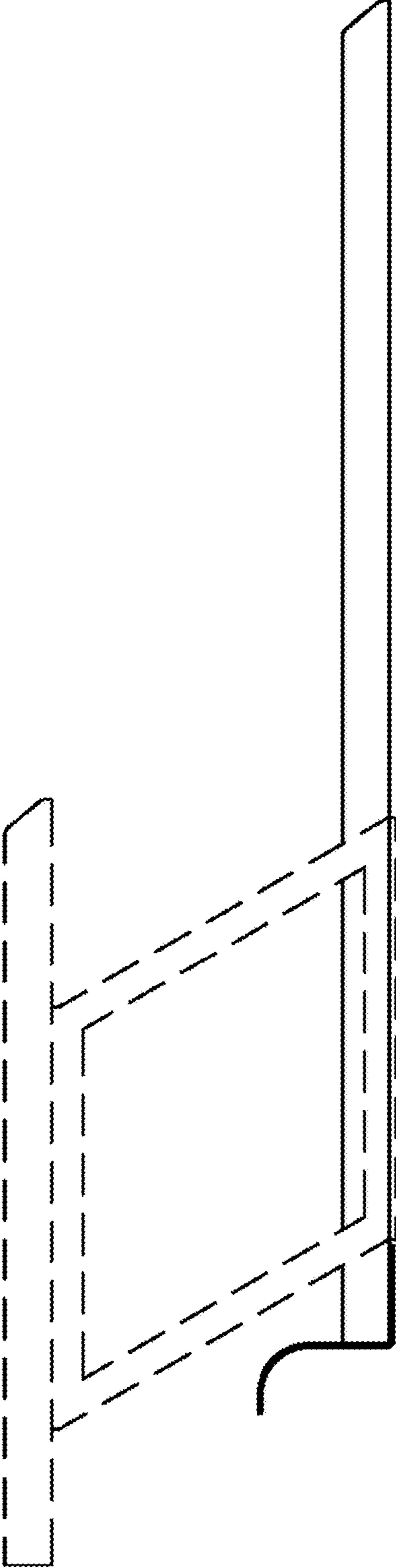


FIG.6



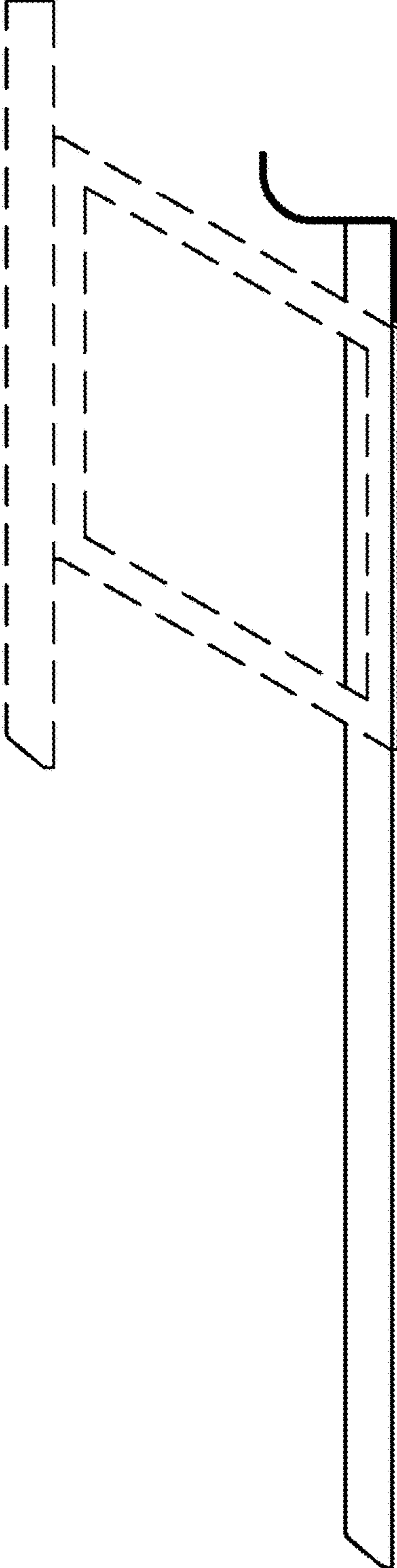


FIG.7