



US00D836949S

(12) **United States Design Patent**  
**Long et al.**

(10) **Patent No.:** **US D836,949 S**  
(45) **Date of Patent:** **\*\* Jan. 1, 2019**

(54) **SEAT PAD**

(71) Applicant: **Parent Solution Group, LLC,**  
Alabaster, AL (US)

(72) Inventors: **Drew Ann Long,** Alabaster, AL (US);  
**Francis J. McNamee,** Yonkers, NY  
(US)

(73) Assignee: **Parent Solution Group, LLC,**  
Alabaster, AL (US)

(\*\*) Term: **15 Years**

(21) Appl. No.: **29/628,815**

(22) Filed: **Dec. 7, 2017**

(51) **LOC (11) Cl.** ..... **06-09**

(52) **U.S. Cl.**  
USPC ..... **D6/601**

(58) **Field of Classification Search**  
USPC ..... D6/595, 596, 601, 716.5; 5/632, 633,  
5/636, 648, 652, 655.9, 656, 948-953  
CPC ..... A47G 9/00; A47G 9/10; A47G 9/1045;  
A47G 9/1054; A47G 9/1063; A47G  
9/1072; A47G 9/1081; A47G 9/109;  
A47G 1009/1027; A47G 2009/1018;  
A47C 27/001; A47C 7/021; A47C 7/022;  
A47C 7/18

See application file for complete search history.

(56) **References Cited**

**U.S. PATENT DOCUMENTS**

4,687,248 A \* 8/1987 Ross ..... A47C 4/52  
190/2  
D383,636 S \* 9/1997 Harris ..... D6/333  
D393,172 S \* 4/1998 Brady ..... 280/33.992  
D398,802 S \* 9/1998 Quinn ..... D6/333

D417,984 S \* 12/1999 Sand ..... D6/368  
D425,341 S \* 5/2000 Smith ..... D6/716  
D509,396 S \* 9/2005 Wiltberger ..... D6/601  
D624,343 S \* 9/2010 Long ..... D6/601  
D637,433 S \* 5/2011 Mould ..... D6/601  
D648,167 S \* 11/2011 Colon ..... D6/601  
D699,053 S \* 2/2014 Long ..... D6/601  
D806,441 S \* 1/2018 Pan ..... D6/601

\* cited by examiner

*Primary Examiner* — R. Johnson

(74) *Attorney, Agent, or Firm* — The Van Winkle Law  
Firm; William G. Heedy; Daivd M. Carter

(57) **CLAIM**

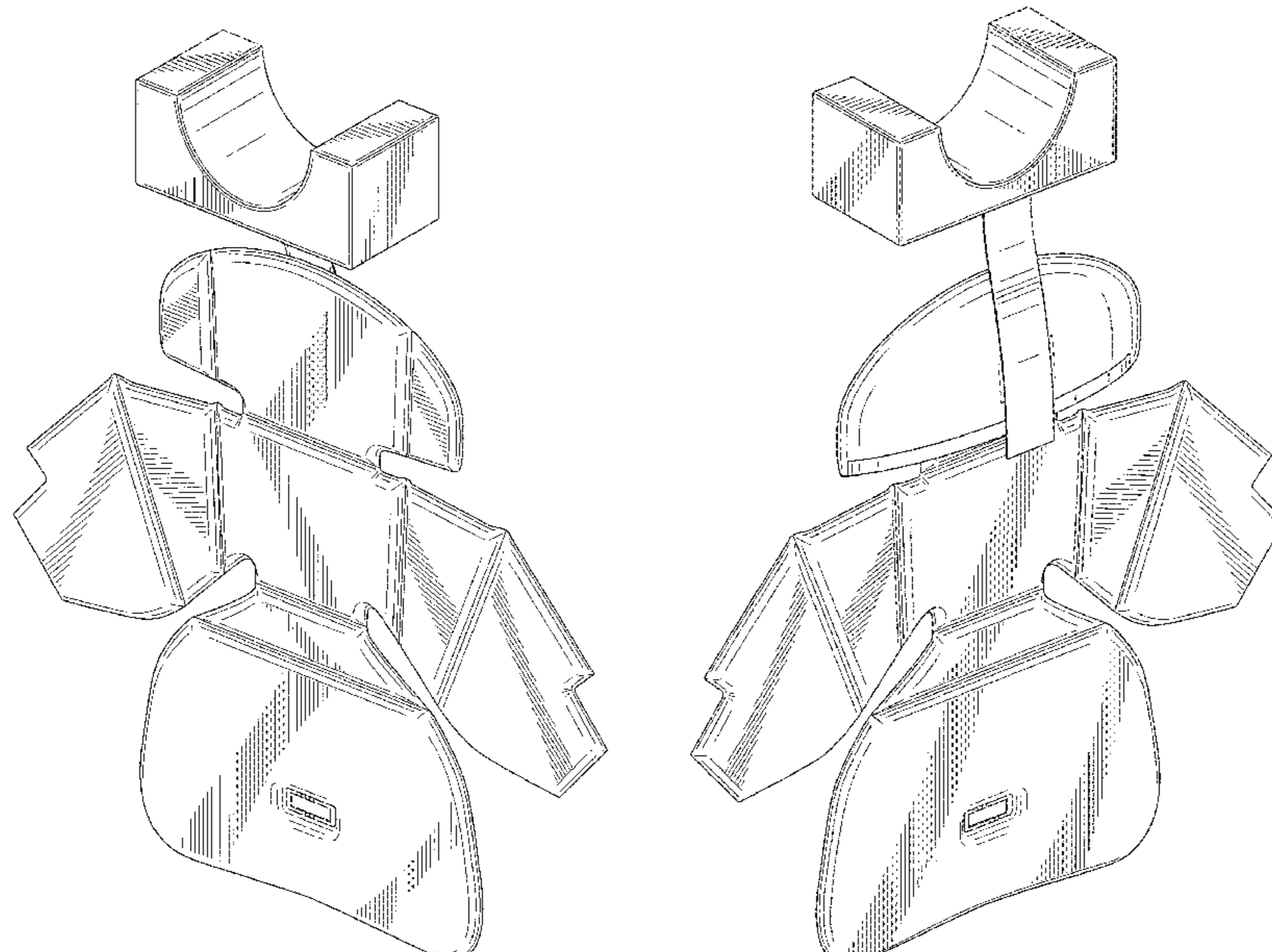
The ornamental design for a seat pad, as shown and  
described.

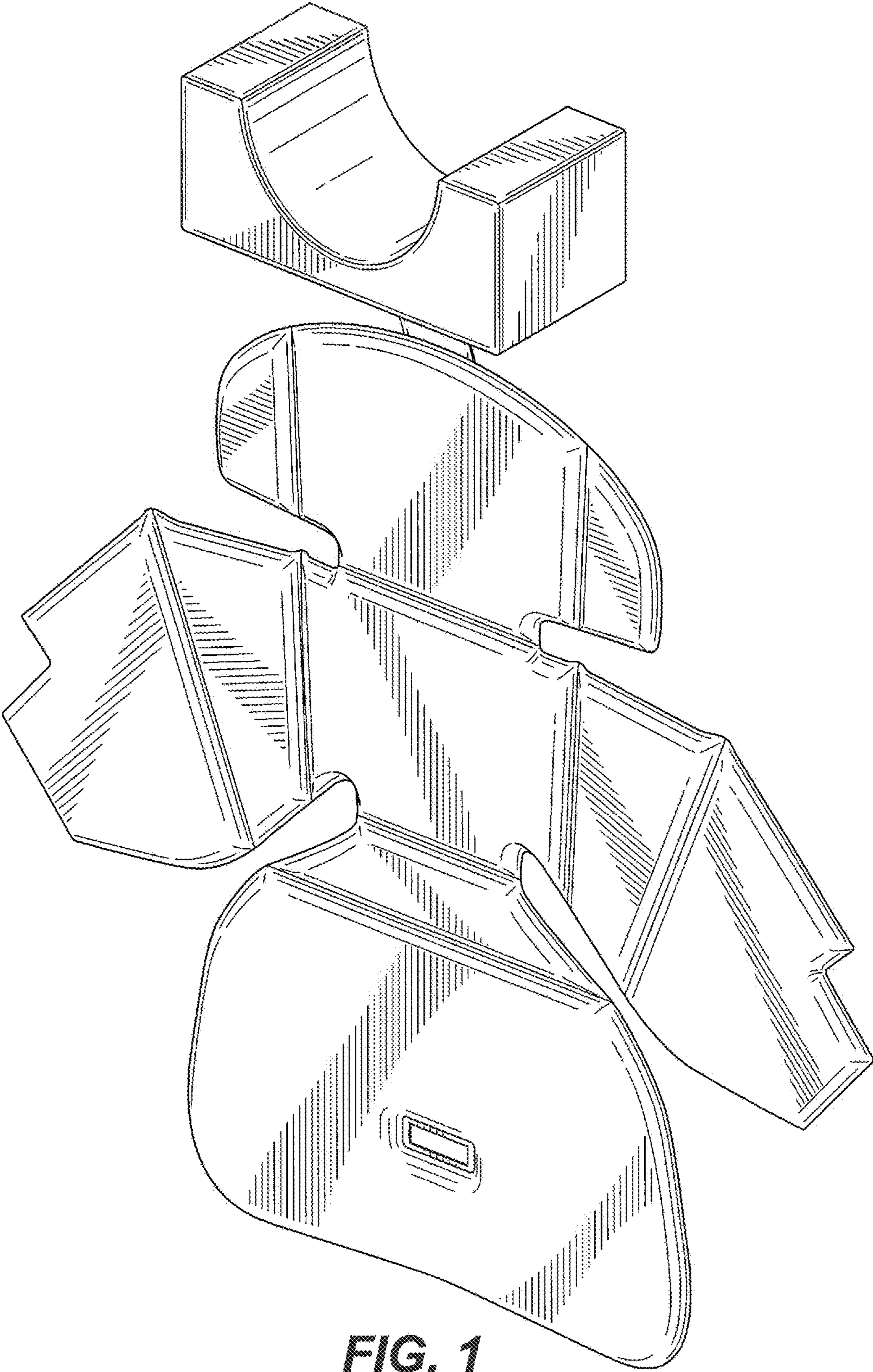
**DESCRIPTION**

FIG. 1 is a front perspective view of a seat pad showing our  
new design;  
FIG. 2 is a rear perspective view thereof;  
FIG. 3 is a front elevational view thereof;  
FIG. 4 is a rear elevational view thereof;  
FIG. 5 is a left side elevational view thereof;  
FIG. 6 is a right side elevational view thereof;  
FIG. 7 is a top plan view thereof;  
FIG. 8 is a bottom plan view thereof;  
FIG. 9 is a cross sectional view of FIG. 4 along line 9-9  
thereof;  
FIG. 10 is a perspective view thereof; and,  
FIG. 11 is a perspective view thereof.

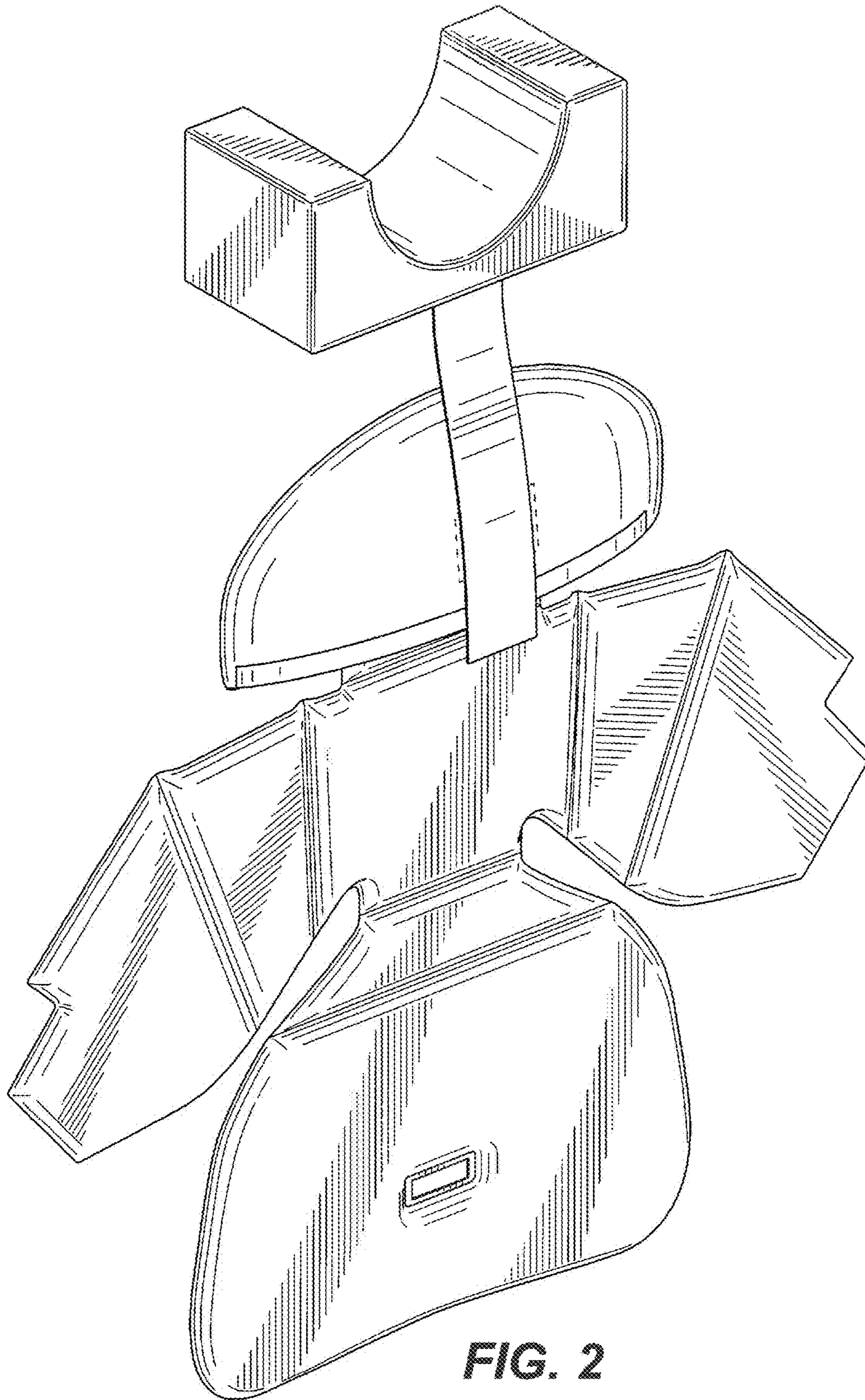
In the drawings, the broken lines showing a cart and  
associated straps in FIGS. 10 and 11 illustrate the design as  
used and form no part of the claim. The remaining broken  
lines represent the portions of the seat pad, which form no  
part of the claim.

**1 Claim, 9 Drawing Sheets**

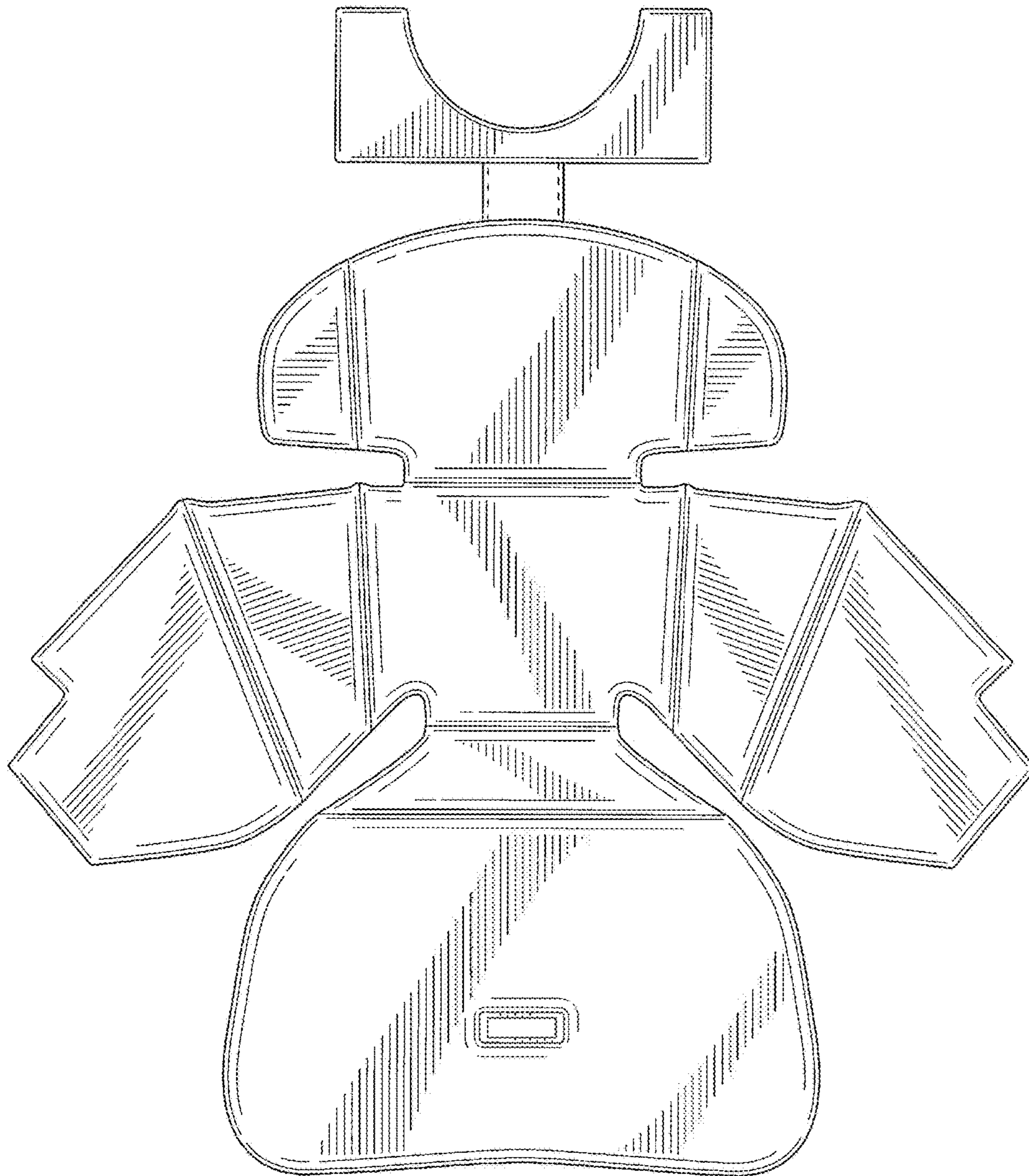




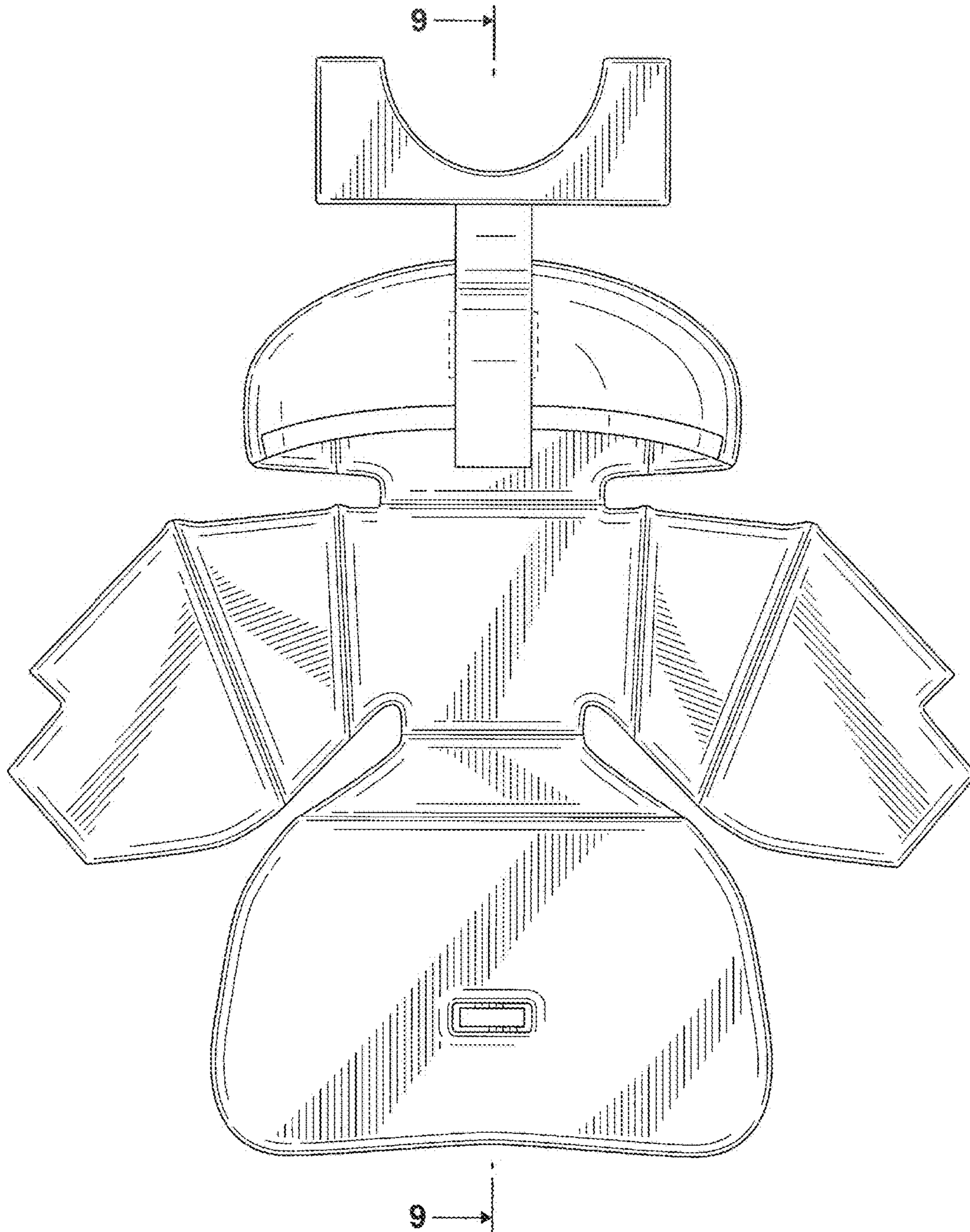
**FIG. 1**



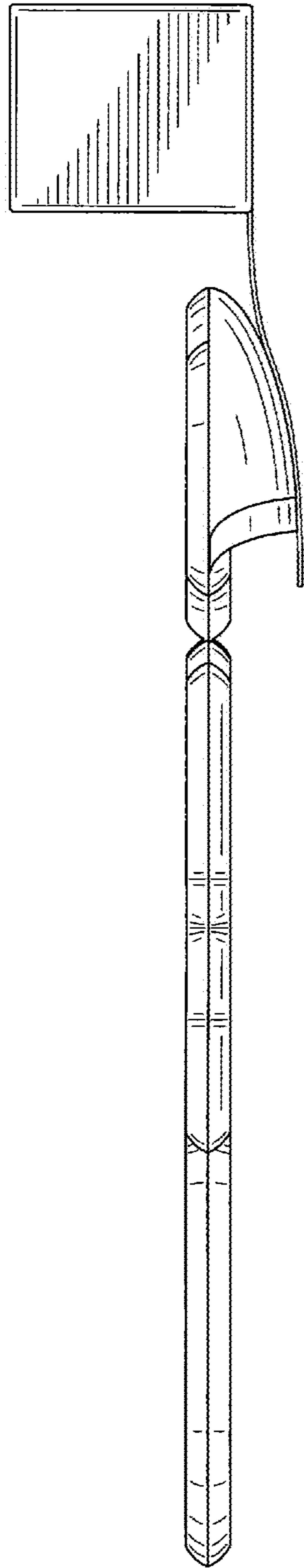
**FIG. 2**



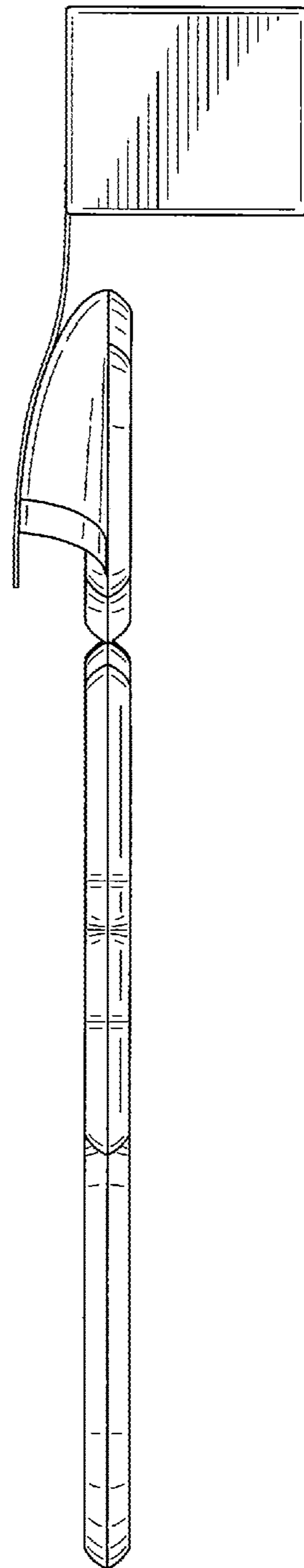
**FIG. 3**



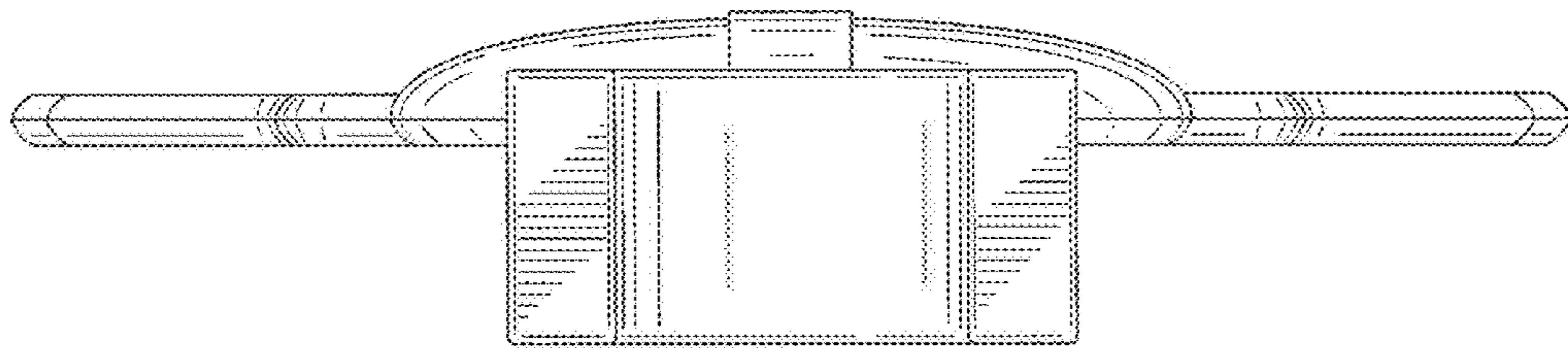
**FIG. 4**



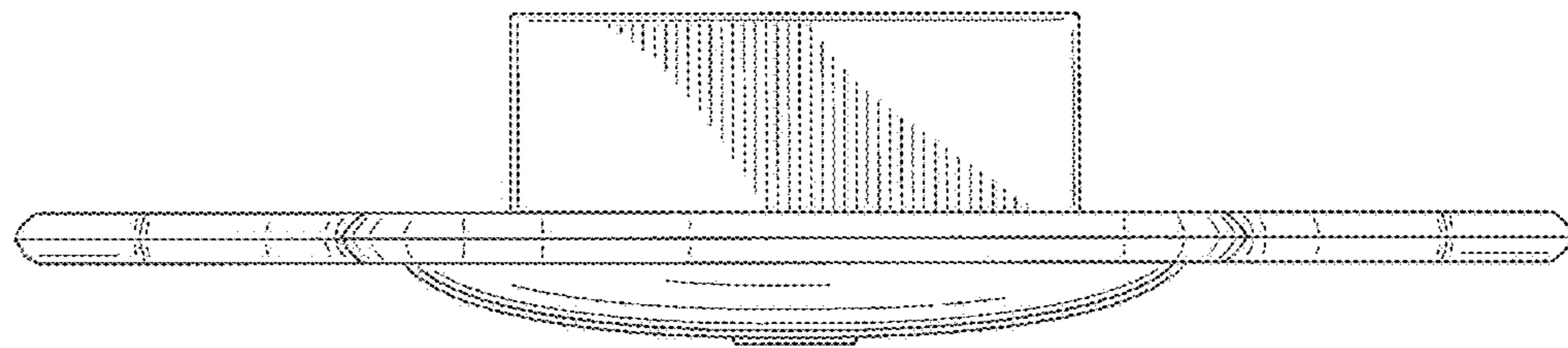
**FIG. 5**



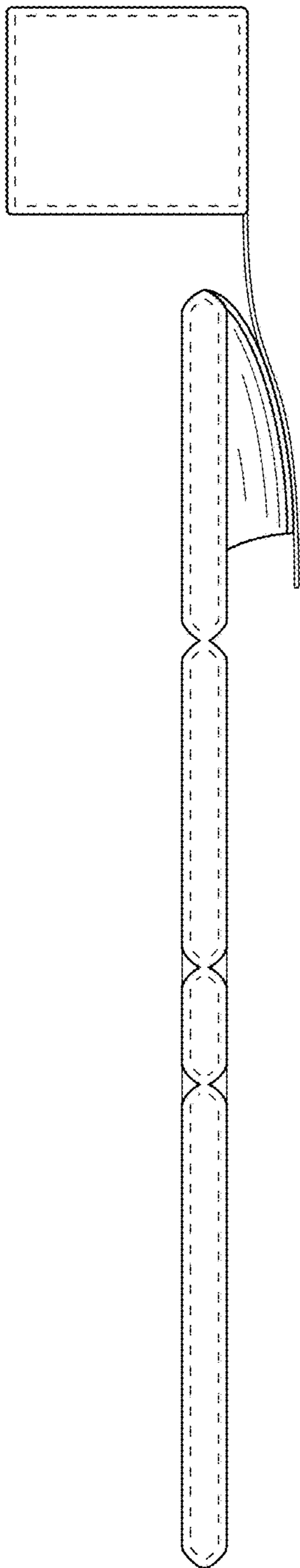
**FIG. 6**



**FIG. 7**

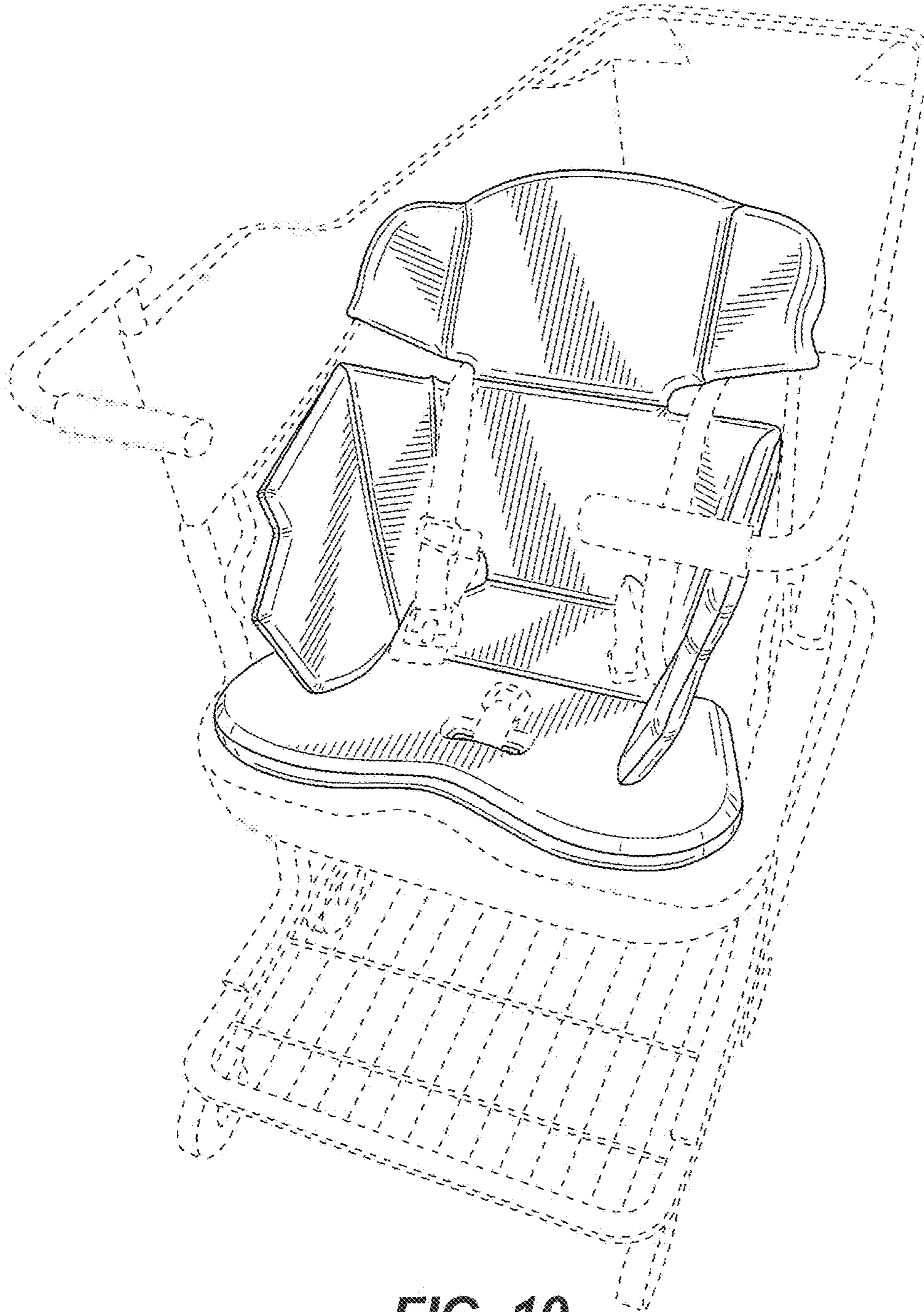


**FIG. 8**

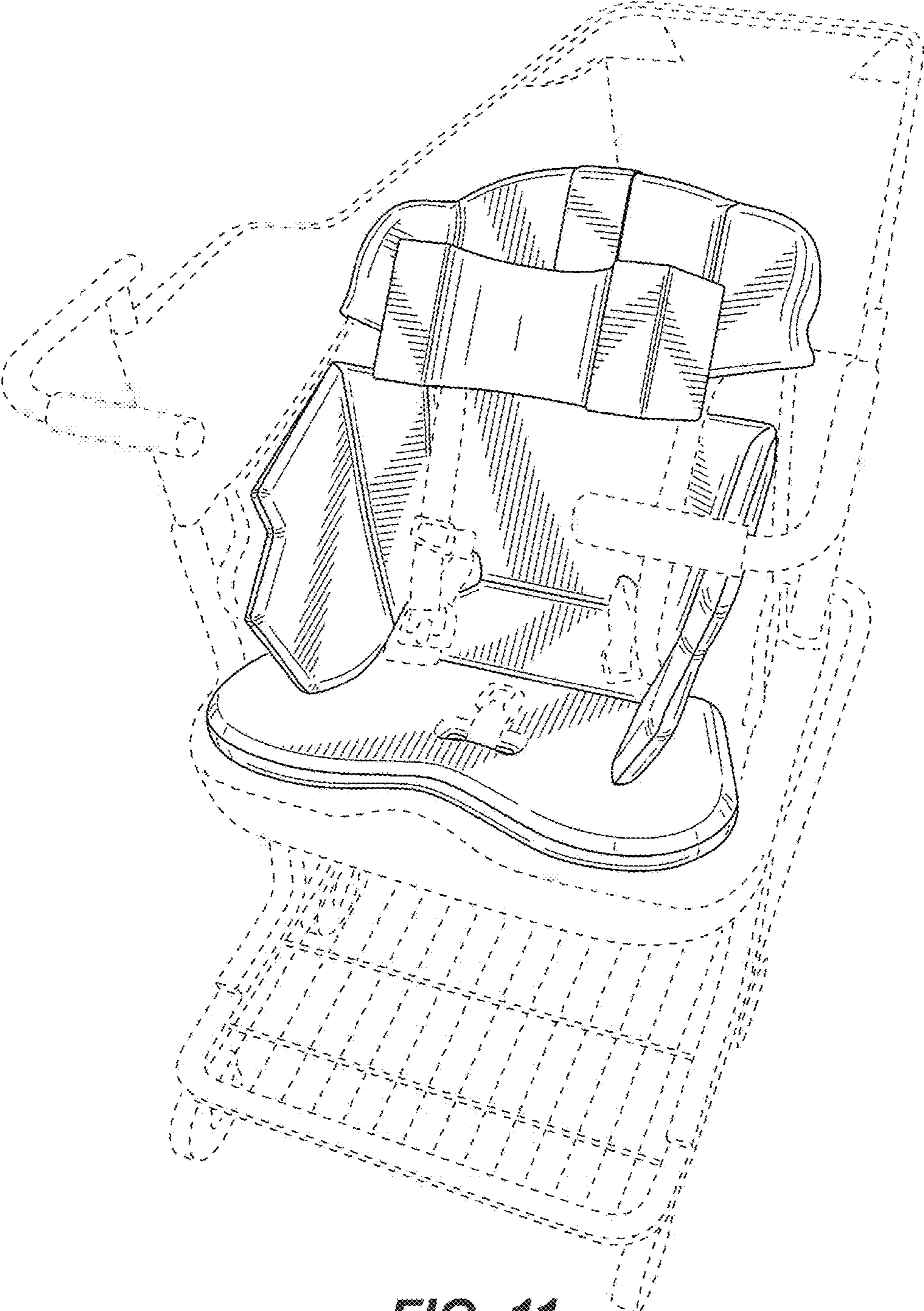


**FIG. 9**





**FIG. 10**



**FIG. 11**