



US00D836947S

(12) **United States Design Patent**  
**Davis**

(10) **Patent No.:** **US D836,947 S**

(45) **Date of Patent:** **\*\* Jan. 1, 2019**

(54) **TIRE RACK**

(71) Applicant: **Matthew Davis**, Lake Forest, CA (US)

(72) Inventor: **Matthew Davis**, Lake Forest, CA (US)

(\*\*) Term: **15 Years**

(21) Appl. No.: **29/613,210**

(22) Filed: **Aug. 8, 2017**

(51) **LOC (11) Cl.** ..... **06-04**

(52) **U.S. Cl.**  
USPC ..... **D6/553**

(58) **Field of Classification Search**

USPC ..... D6/553, 678.4; D12/202, 106, 162, 400,  
D12/406, 412; 206/304, 304.2; 211/19,  
211/20, 23, 24; 224/42.12, 42.13, 42.21,  
224/42.24, 42.28, 488-489, 502-509,  
224/517, 519-520; 362/42, 320, 496,  
362/500, 505, 540-541

CPC ..... B62D 43/02; B62D 43/06; B62D 43/00;  
B60R 9/06; B60D 1/58; B60D 1/075

See application file for complete search history.

(56) **References Cited**

**U.S. PATENT DOCUMENTS**

D342,713 S \* 12/1993 Vrilakas ..... D12/202  
D433,583 S \* 11/2000 Ramsay ..... D6/678.4

D519,074 S \* 4/2006 McAnally ..... D12/406  
D587,491 S \* 3/2009 Casper ..... D6/678.4  
D587,947 S \* 3/2009 Valiulis ..... D6/553  
D792,826 S \* 7/2017 McMath ..... D12/202  
2003/0173387 A1\* 9/2003 Mitchell ..... B60R 9/06  
224/499  
2012/0074084 A1\* 3/2012 Barber ..... A47F 7/04  
211/85.8

\* cited by examiner

*Primary Examiner* — Wan Laymon

*Assistant Examiner* — Mark Booker

(74) *Attorney, Agent, or Firm* — Steven W. Webb

(57) **CLAIM**

The ornamental design for a tire rack, as shown and described.

**DESCRIPTION**

FIG. 1 is a perspective view of the tire rack.

FIG. 2 is a left side view of the tire rack.

FIG. 3 is a right side view of the tire rack.

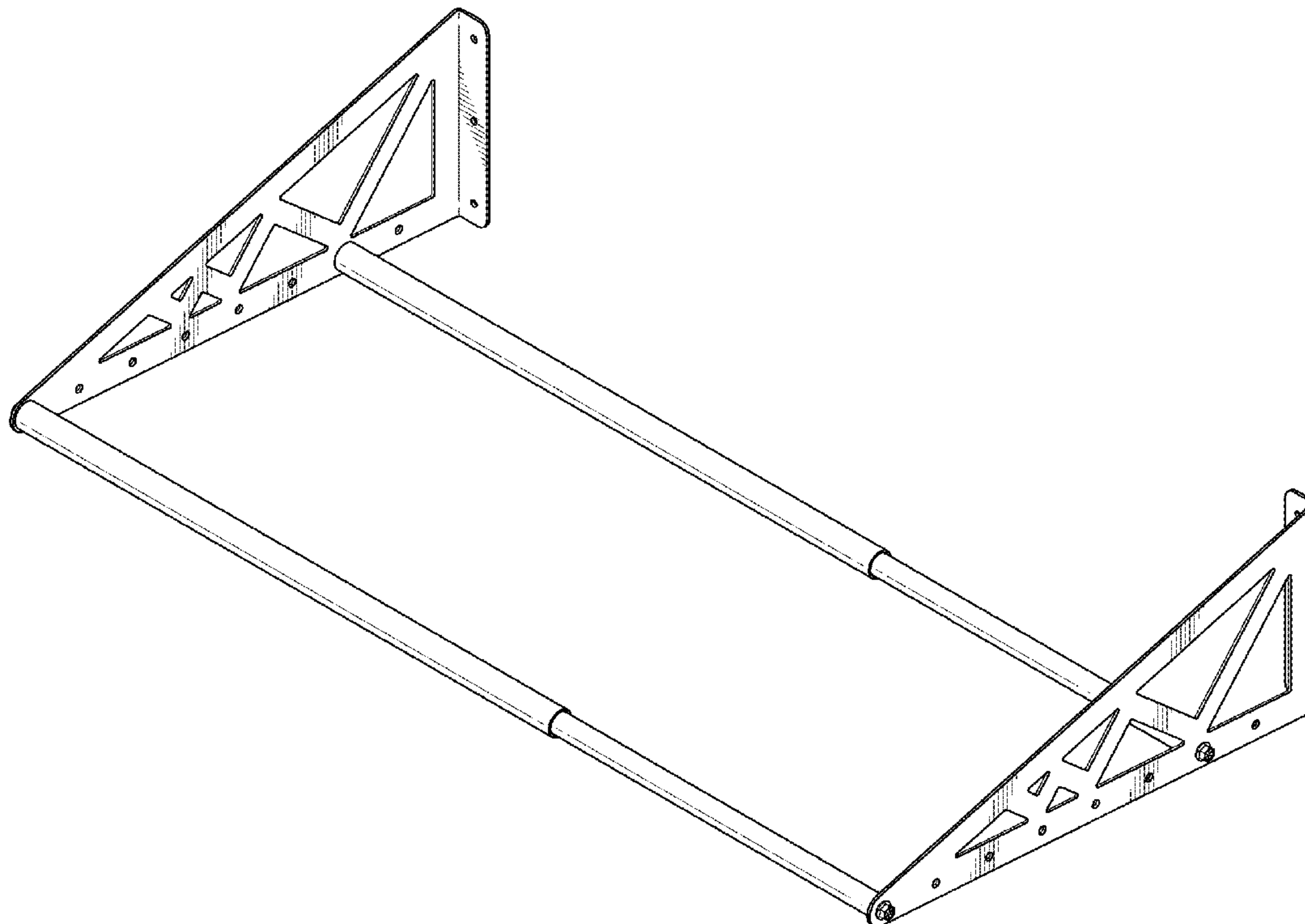
FIG. 4 is the top-down view of the tire rack.

FIG. 5 is the front view of the tire rack.

FIG. 6 is the back view of the tire rack; and,

FIG. 7 is the bottom view of the tire rack.

**1 Claim, 5 Drawing Sheets**



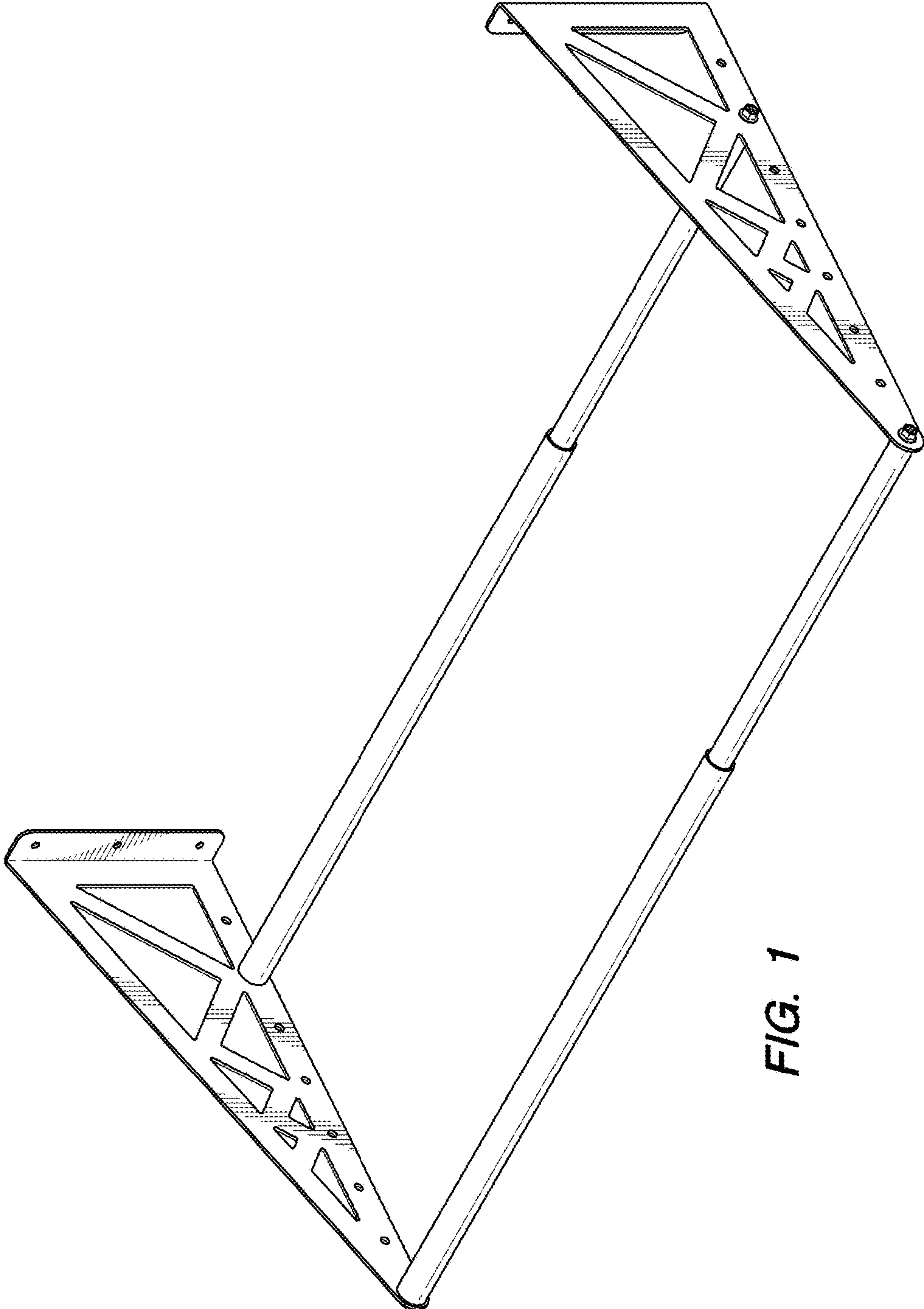
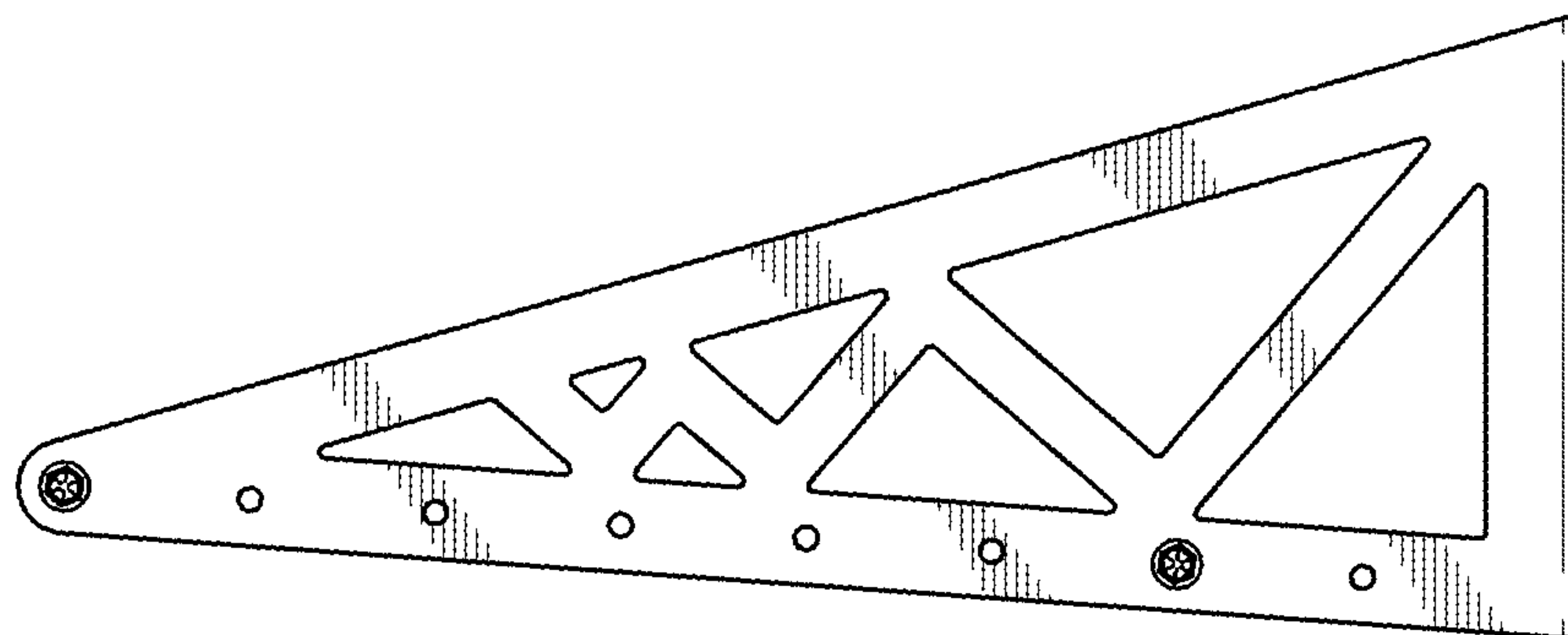
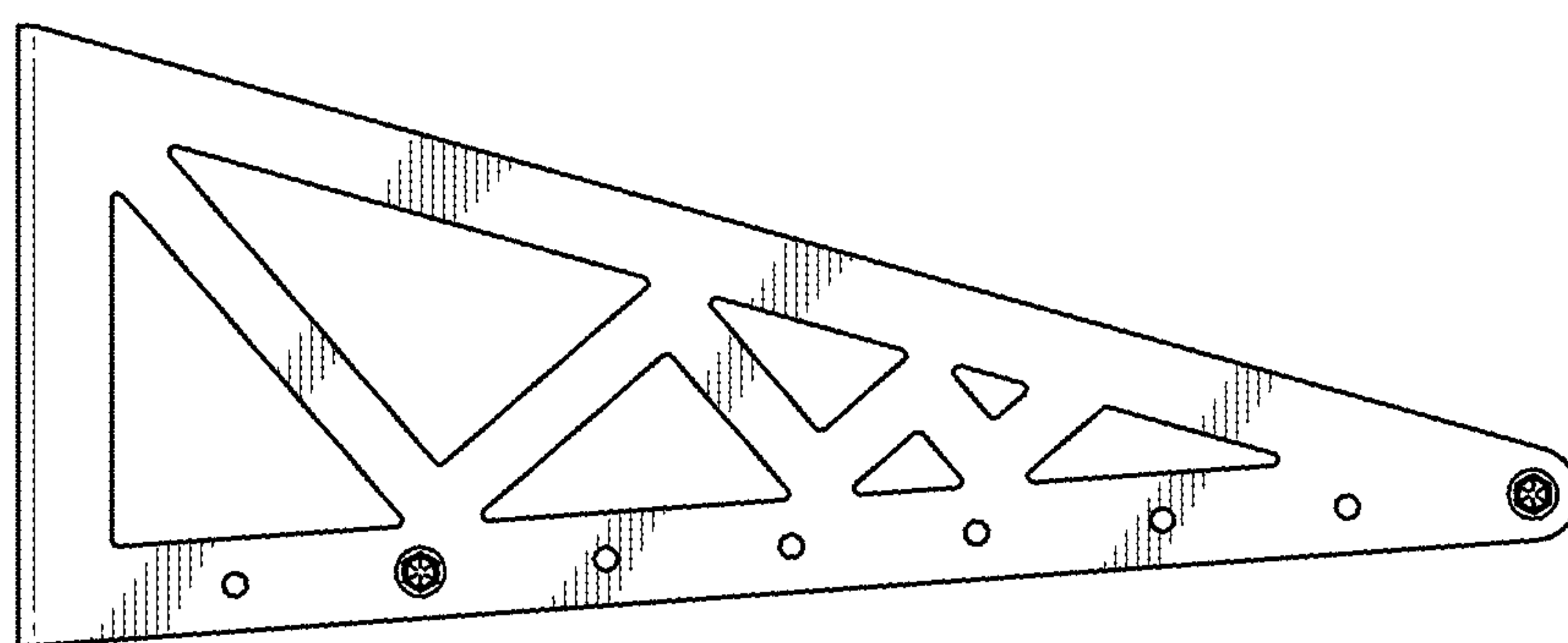


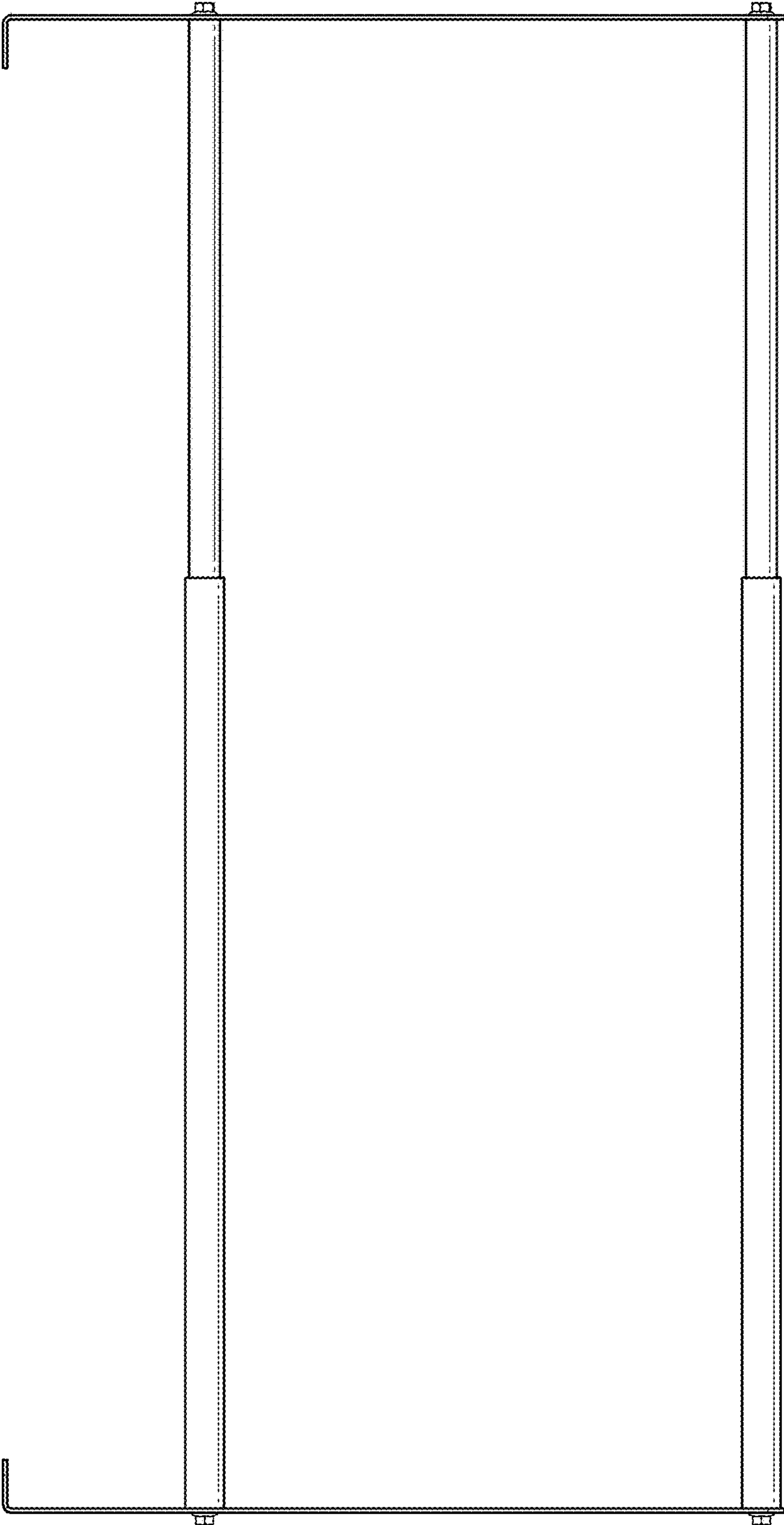
FIG. 1



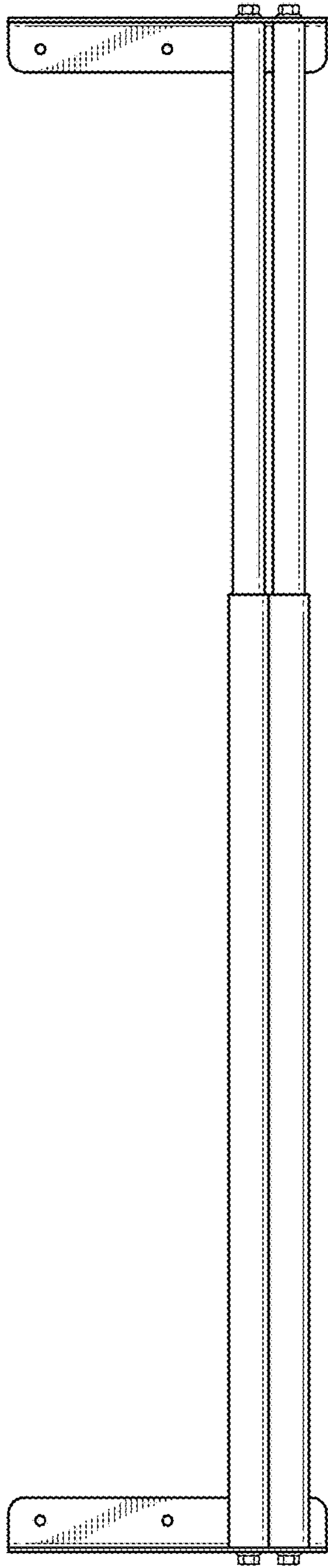
**FIG. 2**



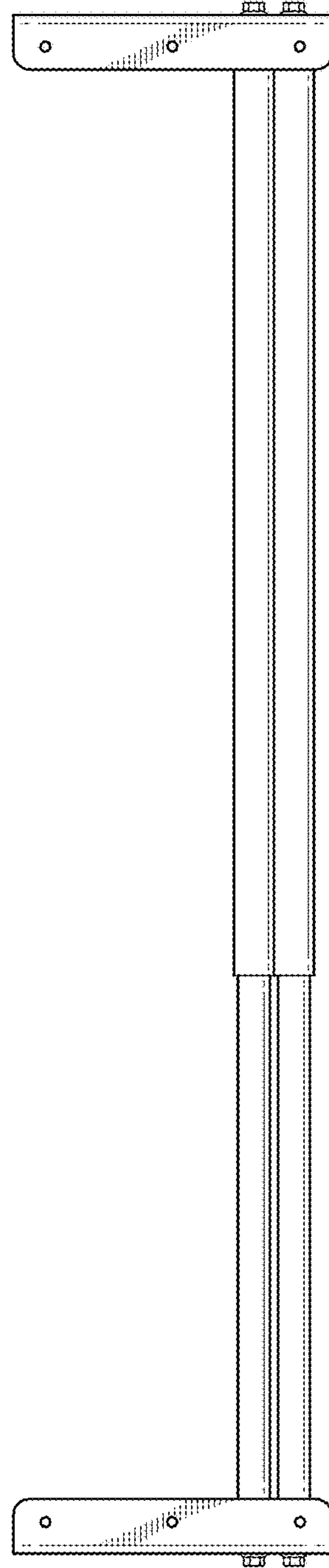
**FIG. 3**



*FIG. 4*



*FIG. 5*



*FIG. 6*

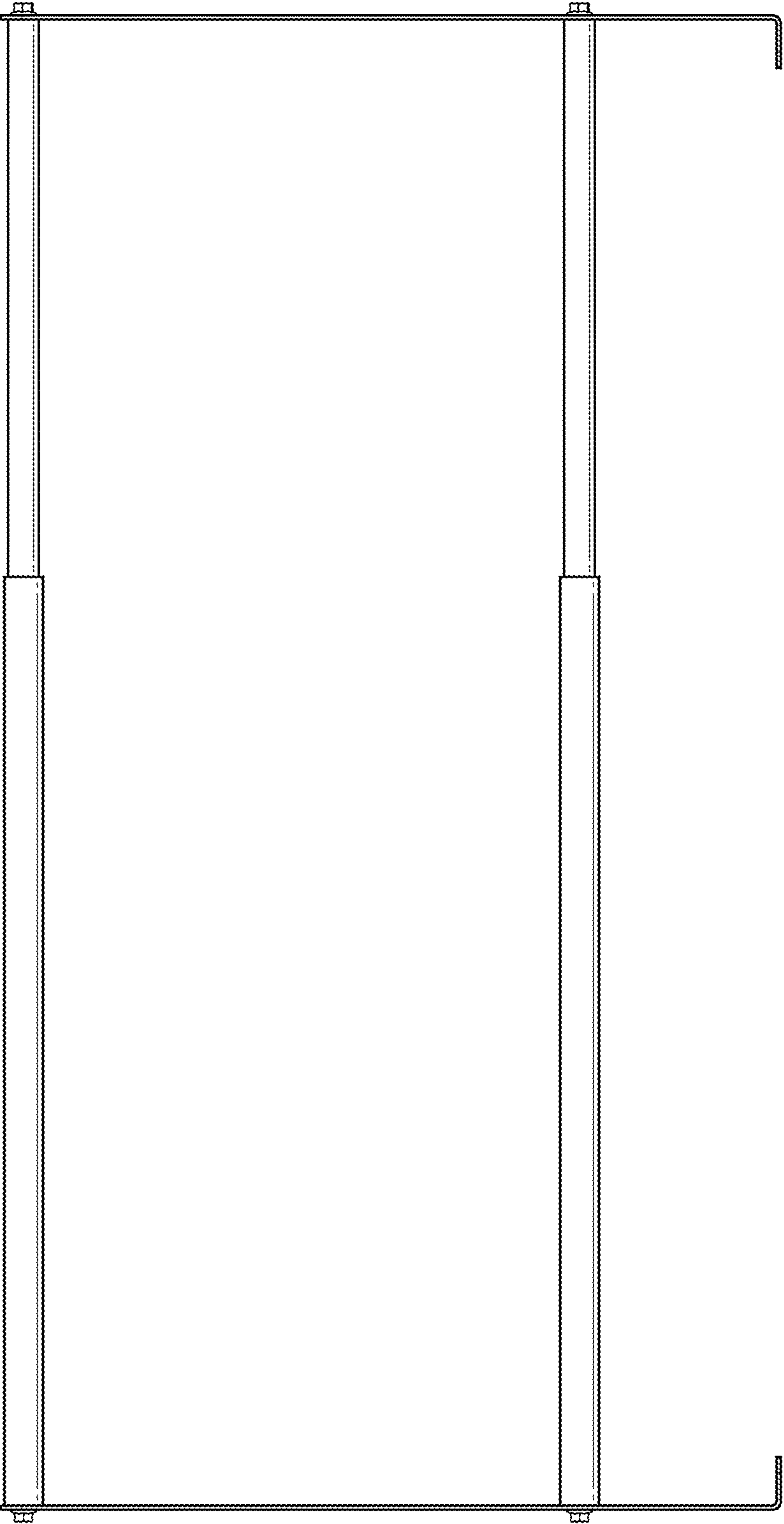


FIG. 7